

Table :01 - Door - External side

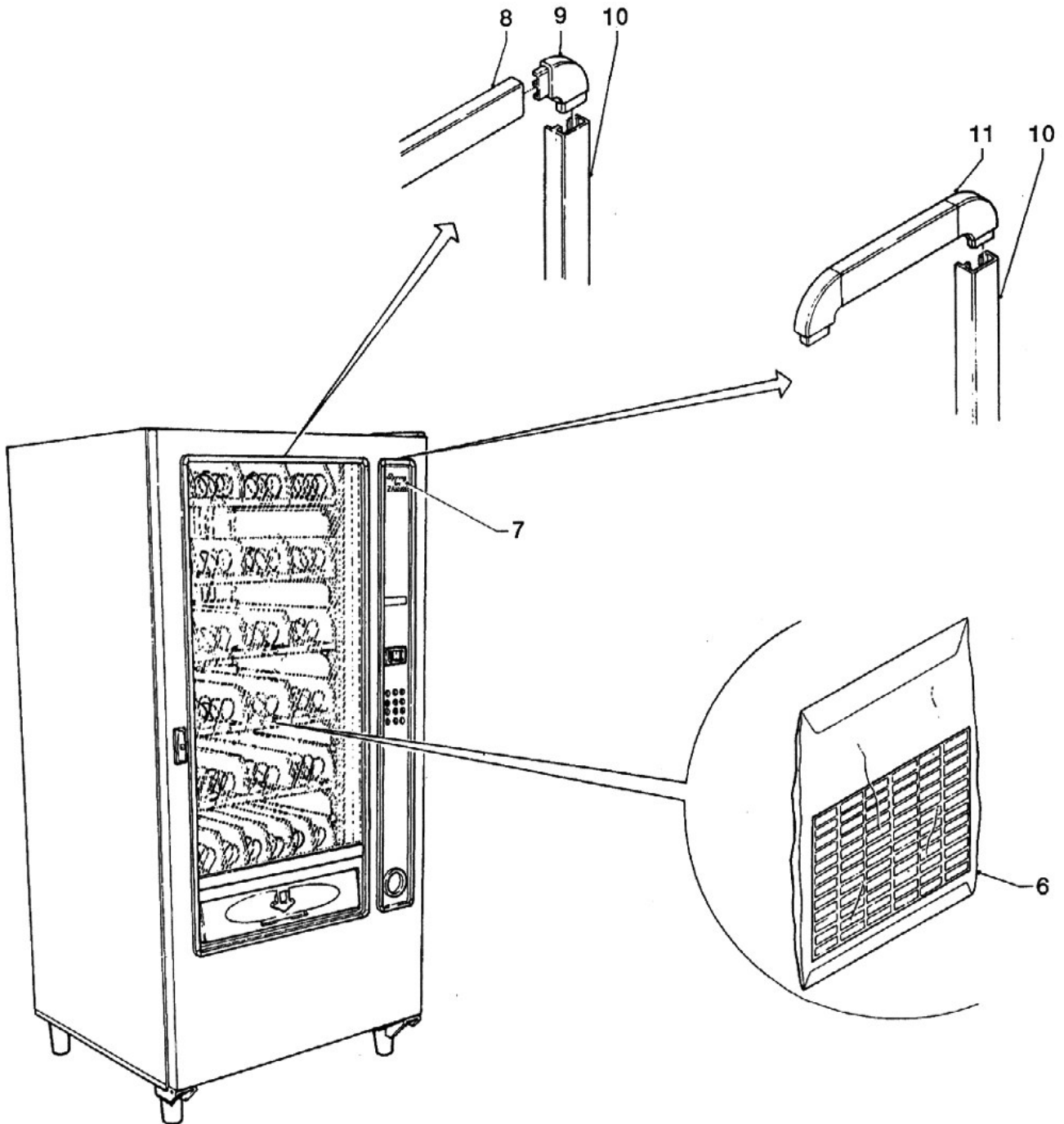


Table :01 - Door - External side

	Code	Description	Notes
6	0V0152	PRICES PLATES	
7	0V2782	LOGO PLATE (FM)	
8	0V2797	BLACK HORIZONTAL PROFILE	
9	0V0831	PROFILE JUNCTION 'BLACK'	
10	0V0823	VERTICAL PROFILE 'BLACK'	
11	0V0830	PROFILE WITH JUNCTIONS 'BLACK'	

Table :02 - Door - Internal side

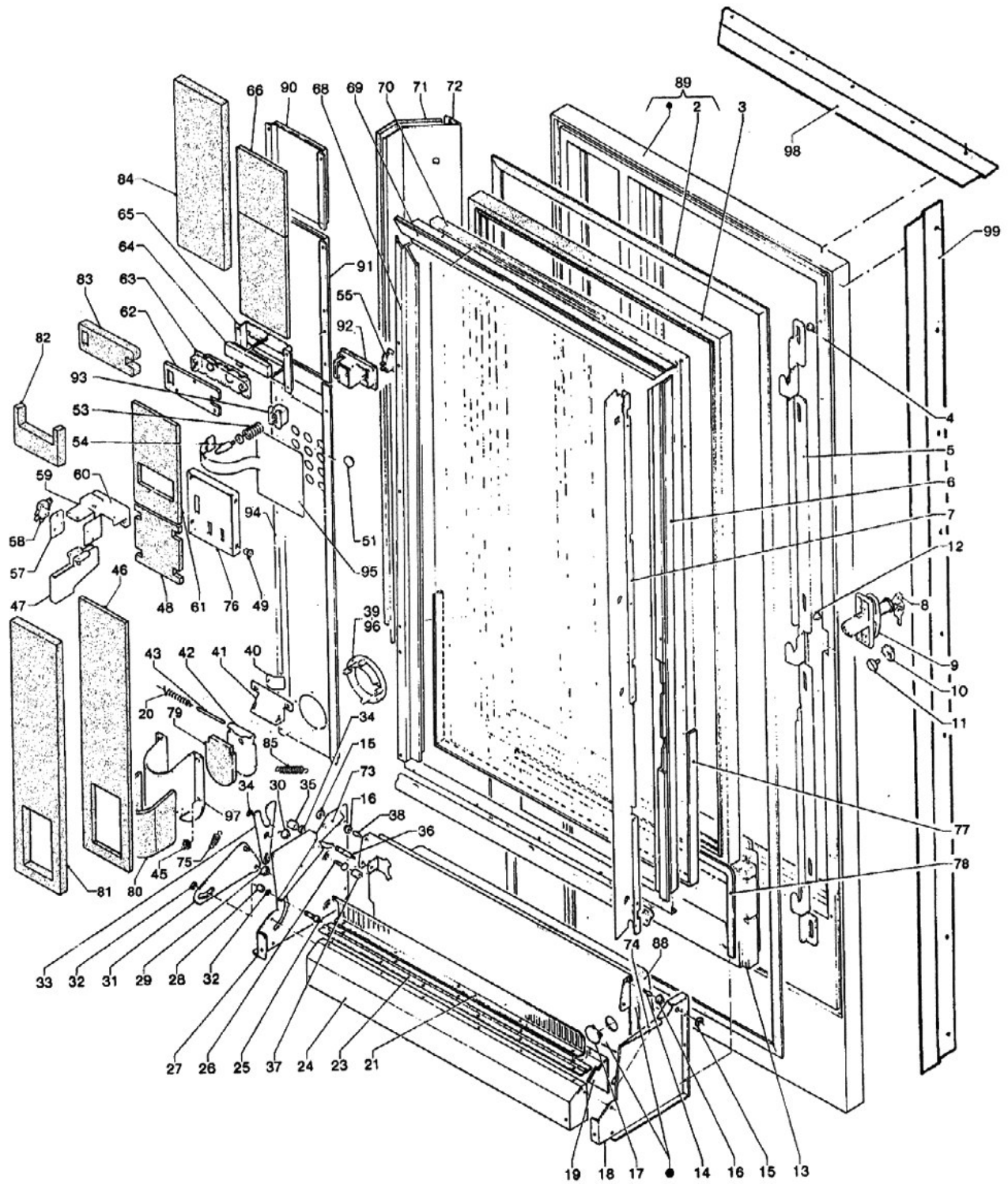


Table :02 - Door - Internal side

	Code	Description	Notes
2	0V0203	DOOR GASKET	
3	0V0034	GLASS GASKET	
4	0V0040	BUSH	
5	0V0039	DOOR LOCKING	
6	0V1952	PROFIL 'RIGHT'	
7	0V0196	BULKHEAD	
8	987352	LOCK RIELDA 4000 AE045C	
9	0V1317	'T'-SHAPED LOCK HANDLE	
10	0V0037	PINION	
11	0V0038	SCREW	
12	0V0041	BUSH	
13	0V2798	BLACK FRAME	
14	0V0058	PIN	
15	091357	OUTER BENZING COLLAR DIAM MM7	
16	0V0050	BUSH FOR PLATE	
17	094030	OUTER CAP	
18	0V0049	LEFT PLATE	
19	0V2615	SHUTTER SPRING 850	
20	099356	SPRING FOR CHANGE	
21	0V0056	AERATOR	
23	0V0012	HINGE	
24	0V0051	PLATE	
25	0V2618	PIN FOR SHUTTER	
26	0V0044	PIN	
27	0V2614	RH SLIDER PLATE	
28	0V2619	BUSH	
29	0V0048	BUSH FOR LEVER	
30	0V0045	BUSH FOR LEVER	
31	0V2620	LEVER	
32	091287	OUTER FIXING COLLAR	
33	0V0046	LEVER	
34	098818	STOPPING RING D.4	
35	0V2617	BUSH	
36	0V2616	PIN	
37	0V0061	SPACER FOR PIN	
38	0V0058	PIN	
39	097140	MONEY RETURN FRAME (GREY)	
40	098246	CONVEYOR FIXING BRACKET	
41	097455	MONEY RETURN SHUTTER BRACKET	
42	093890	MONEY RETURN SHUTTER	
43	093891	SHUTTER PIVOT	
45	093829	LEVER LOCK CLIP	

Table :02 - Door - Internal side

	Code	Description	Notes
46	0V0201	INSULATOR	
47	0V0069	COIN-CHUTE	
48	0V0200	INSULATOR	
49	094111	INSULATING DOLLY BLOCK	
51	099134	BUTTON	
53	098696	SPRING DOSER ELECTROMAGNET	
54	987752	RETURN BOLT	
55	095890	LUMINOUS INDICATOR ORANGE	
57	090681	INSULATING DISK	
58	0V0067	MICROSWITCH	
59	0V0068	BRACKET FOR CHUTE	
60	0V0066	MICROSWITCH SUPPORT	
61	0V0199	INSULATOR	
62	098151	DISPLAY FIXING PLATE	
63	251690	DISPLAY 2X20BLUE	
64	0V0065	GLASS FOR DISPLAY	
65	0V0063	DISPLAY SUPPORT	
66	0V0202	INSULATOR	
68	0V0035	PROFIL 'LEFT'	
69	0V0036	PROFIL	
70	0V1829	230 V HEATED DOOR GLASS	
71	0V1819	LAMP INSULATION	
72	0V1845	REFLECTING WALL	
73	0V1651	RIGHT DOOR PLATE	
74	0V1652	LEFT DOOR PLATE	
75	0V0574	REACTION LEVER SPRING	
76	987814	PUSH-BUTTON SUPPORT	
77	0V1833	230 VOLT 16 WATT RESISTANCE	
78	0V1832	24 VOLT 10 WATT RESISTANCE	
79	0V1825	COIN RETURN SLIDER INSULATION	
80	0V1824	COIN RETURN INSULATION	
81	0V1821	DOOR LOWER INSULATION	
82	0V1820	COIN INSERT INSULATION	
83	0V1823	DISPLAY INSULATION	
84	0V1822	DOOR UPPER INSULATION	
85	0V1155	LEVER RETURN SPRING	
88	0V2794	BLACK SLIDER	
89	0V2795	WHITE DOOR (FS)	
90	0V1681	BLACK NEUTRAL ELEMENT	
91	0V0826	DOUBLE ELEMENT 'BLACK'	
92	0V0832	COIN INSERT FRAME 'BLACK'	
93	0V0835	PUSH-BUTTON 'BLACK'	

Table :02 - Door - Internal side

	Code	Description	Notes
94	0V2786	CONTROL PANEL (FS)	
95	0V2793	BLACK MEMBRANE-TYPE PUSH-BUTTON PANEL	
96	0V0834	COIN RECOVERY FRAME 'BLACK'	
97	0V2792	BLACK COIN CHUTE	
98	0V2790	WHITE DOOR UPPER ARMOR PLATING	
99	0V2788	WHITE DOOR LH ARMOR PLATING	

Table :03 - Cabinet assv

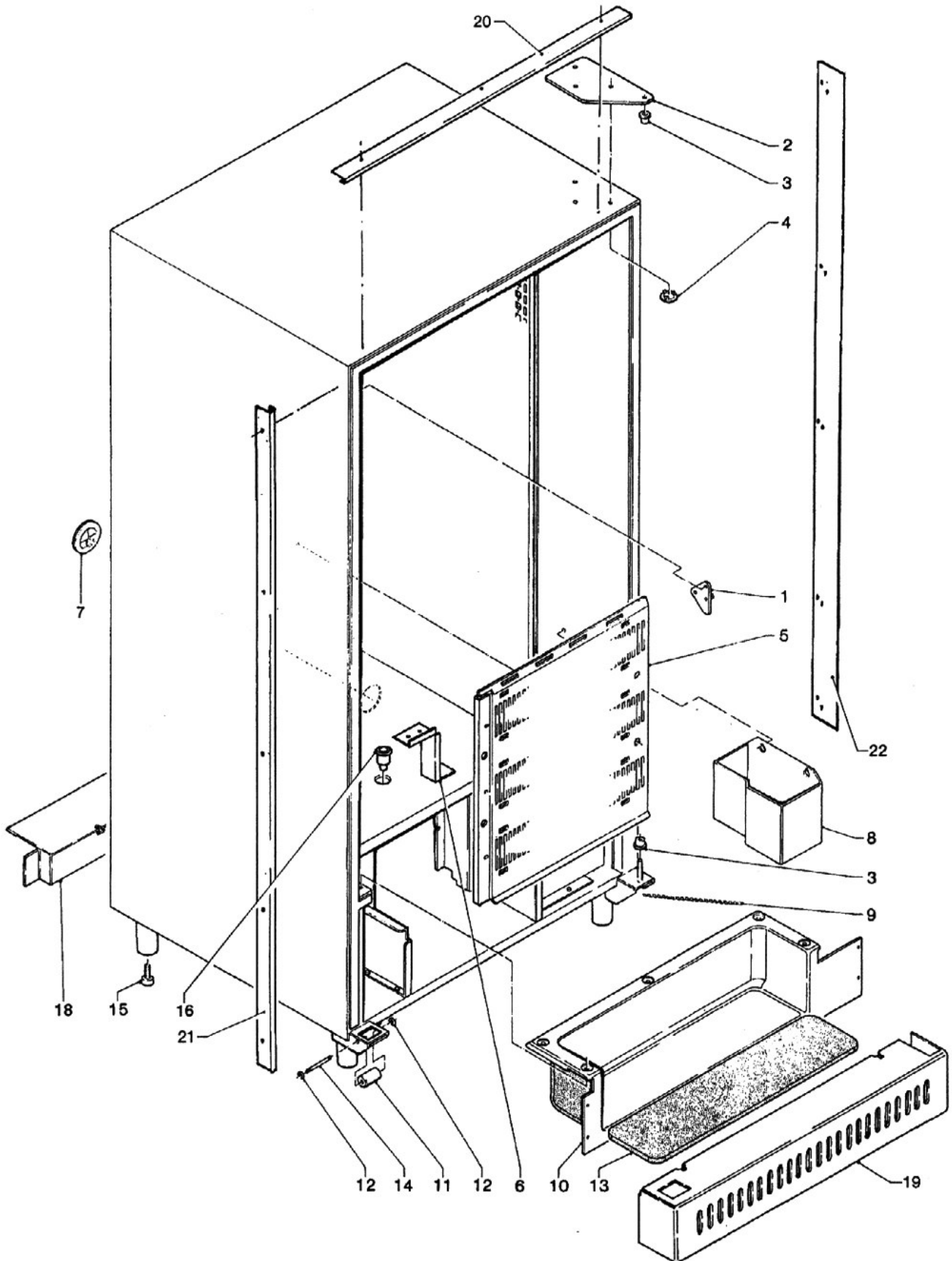


Table :03 - Cabinet assy

	Code	Description	Notes
1	0V0217	CLOSURE	
2	0V0072	UPPER HINGE	
3	0V0028	BUSH 'UPPER-LOWER'	
4	094030	OUTER CAP	
5	0V0848	AIR DUCT	
6	0V0851	PROBE SQUARE	
7	987902	CABLE BUSHING	
8	0V0013	MONEY BOX	
9	985608	LOCK CHAIN DOOR	
10	0V0116	PRODUCT DISTRIBUTION AREA-850	
11	0V0001	ROLLER	
12	091959	BENZING COLLAR DIAM MM4	
13	0V0212	PANEL	
14	0V0000	PIN	
15	986802	LIVELLER-FOOT	
16	986809	DRAIN-PIPETTE	
18	987829	REAR BAFFLE	
19	0V0847	FEET COVER -BLACK-	
20	0V2791	WHITE CABINET UPPER ARMOR PLATING	
21	0V2789	WHITE CABINET LH ARMOR PLATING	
22	0V2787	WHITE CABINET RH ARMOR PLATING	

Table :04 - Electric panel

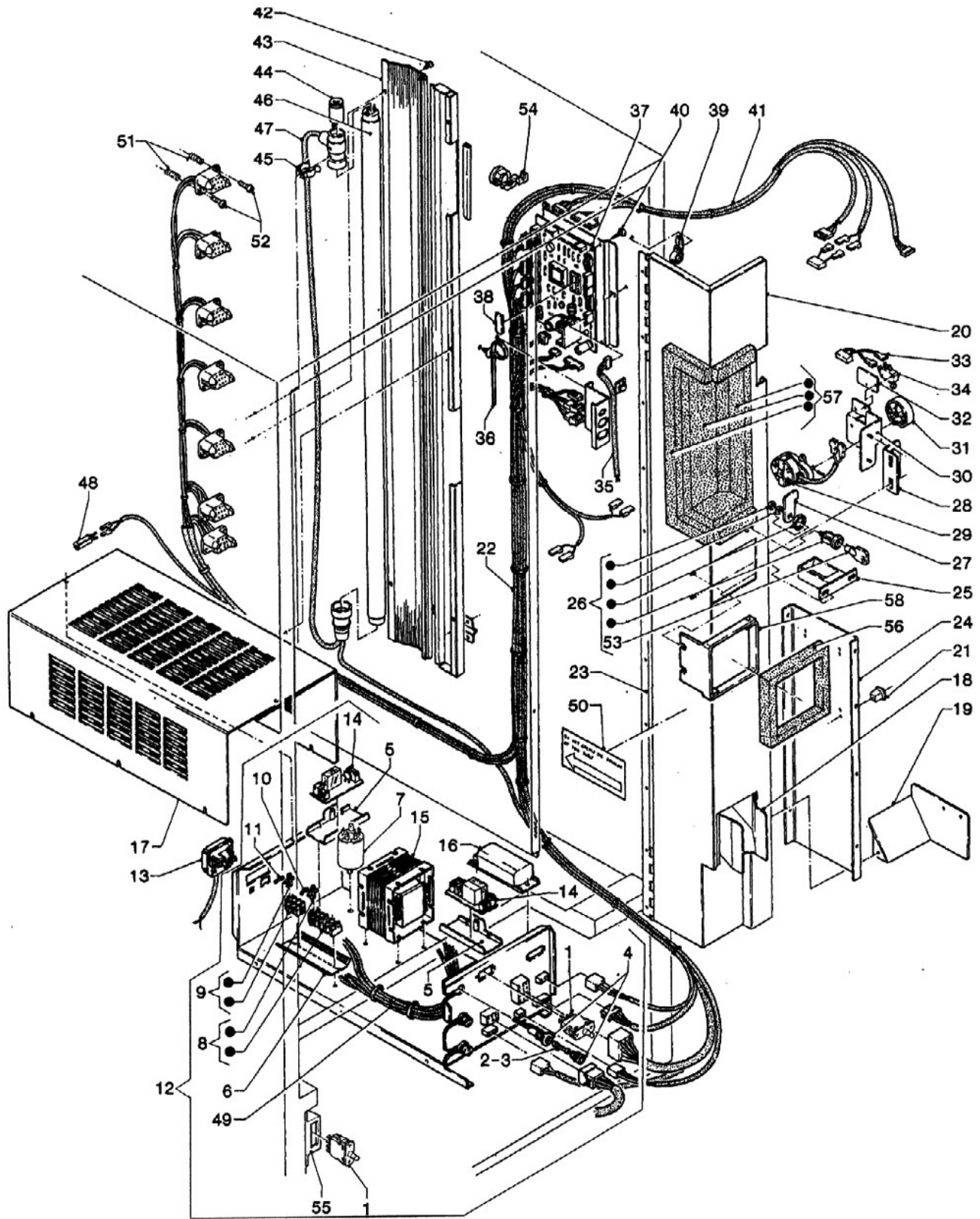


Table :04 - Electric panel

	Code	Description	Notes
1	986058	DOOR-MICRO WITH RESETTING	
2	098779	FUSE 6.3X32 1 AMP	
3	097489	FUSE 250V-10A DELAYED ACTION	
4	0V3201	FUSE HOLDER	
5	094849	COVERING-HOLDER	
6	097242	SUB-TERMINAL BOARD	
7	0V3512	ELECTRICAL NET FILTER	
8	098793	5P TERMINAL BOARD WITH FUSE-HOLDER	
9	097241	3-POLE TERMINAL BOARD W/CARRIER	
10	097259	FUSE 5X20 4A DELAYED ACTION	
11	097368	FUSE 5X20 630 MA DELAYED ACTION	
12	0V1834	ELECTRICAL PANEL	
13	098796	TERMINAL BOARD	
14	0V0015	OUTR CARD	
15	0V0014	G49/25-25V TRASFORMER	
16	987367	36-40WATT BALLAST	
17	0V0017	COVERING	
18	0V1844	COIN RETURN CHUTE	
19	0V0010	COINS CONVEYOR	
20	0V1624	COVER	
21	094111	INSULATING DOLLY BLOCK	
22	0V1836	MAIN WIRING	
23	0V0055	HINGE	
24	0V1623	COIN MECH SUPPORT	
25	0V0007	COINS INTRODUCTION CHUTE	
26	0V0359	LOCK 'MERONI'	
27	098756	DOOR BOLT	
28	0V0219	BRACKET	
29	099754	MOTOREDUCER	
30	0V0005	BRACKET	
31	0V0006	CAM	
32	090681	INSULATING DISK	
33	096845	FILTER RC 1000HM 0.1MF	
34	0V1927	MICROSWITCH 'UL'	
35	0V1759	EXECUTIVE-MDB WIRING	
36	090148	CLIP	
37	0V0862	CPU/CONTROL BOARD 'PLUS'	
38	099982	1024K-EPROM (TO BE PROGRAMMED	
39	091420	ADJUSTABLE COLLAR	
40	097175	CARD SPACER	
41	0V0062	WIRING DOOR 'SPRING/DUAL'	
42	0V0003	CLIPS	

Table :04 - Electric panel

	Code	Description	Notes
43	0V0002	PANEL	
44	091802	STARTER TYPE S10	
45	098337	LAMP-HOLDER HOOKS	
46	986531	NEON LIGHT 38 WATT	
47	0V0215	LAMP WIRING	
48	986060	ELECTRONIC SENSOR K277	
49	0V1835	ELECTRICAL PANEL WIRING	
50	0V1831	TRAY REFERENCE PLATE	
51	987751	SPRING	
52	0V1285	SCREW	
53	0V1925	YELLOW KEY 'SPRING/DUAL'	
54	097851	CABLE FASTENING	
55	0V1815	LEFT DOOR MICROS.W. SUPPORT	
56	0V1828	COIN COMPARTMENT INSULATION	
57	0V2735	SPRINGFOOD BOX INSULATION KIT	
58	0V1840	COIN COMPARTMENT RING	

Table :05 - Tray and drawers

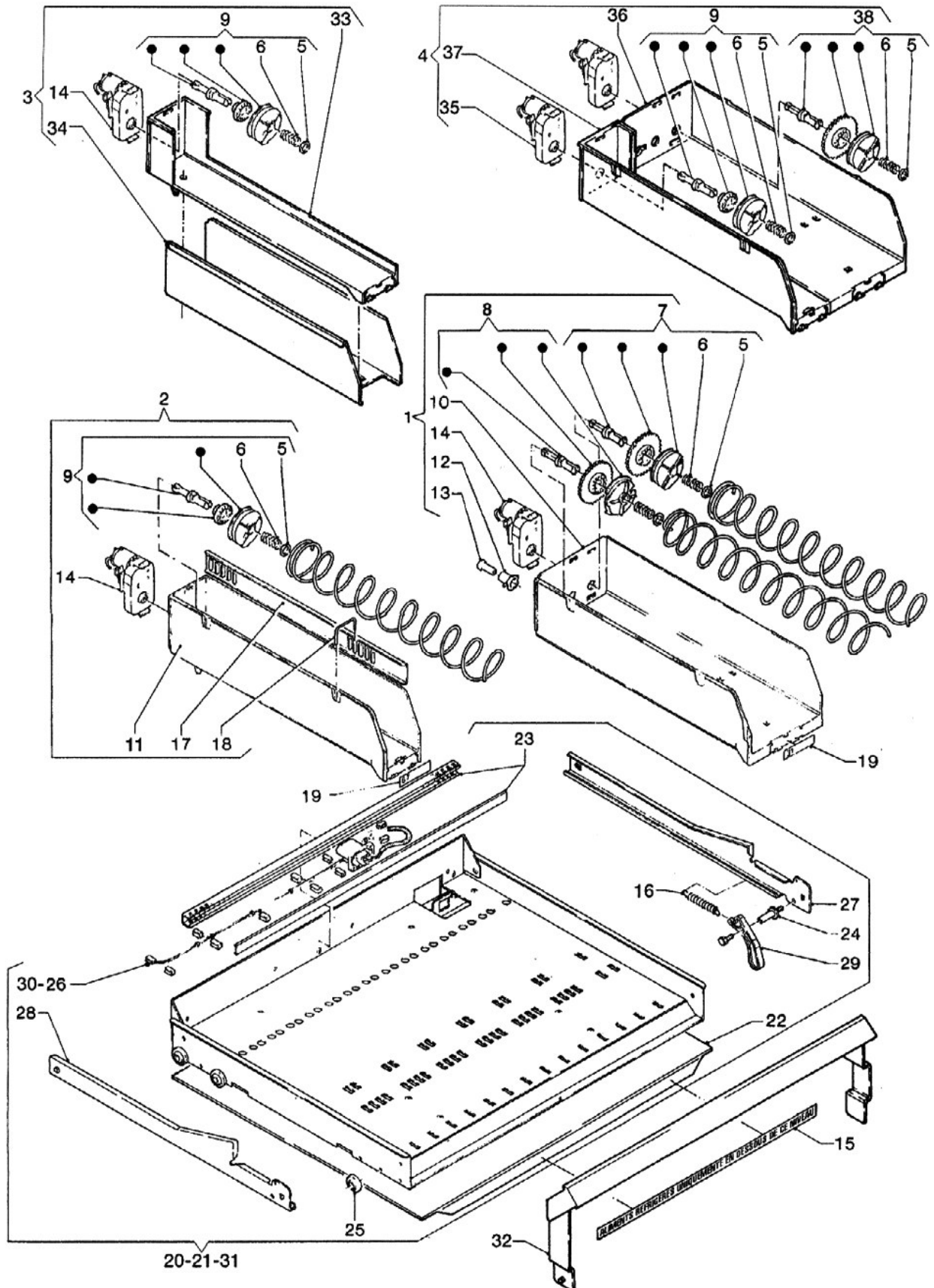


Table :05 - Tray and drawers

	Code	Description	Notes
1	0V0073	DRAWER 'LARGE' COMPLET	
2	0V0085	DRAWER 'SMALL' COMPLET	
3	0V1843	DRAWER ASSEMBLY 'TRAMEZZINI'	
4	0V1842	DRAWER ASSEMBLY 'BAGUETTE'	
5	0V0084	WASHER	
6	0V0083	SPRING	
7	0V1354	RIGHT FLANGE ASSY.	
8	0V1355	LEFT FLANGE ASSY.	
9	0V1353	FLANGE ASSY.	
10	0V0074	DRAWER 'LARGE'	
11	0V0086	DRAWER 'SMALL'	
12	0V0080	BUSH FOR PIN	
13	0V0079	BUSH	
14	0V0075	MOTOREDUCTER	
15	0V1830	INDICATION PLATE	
16	093978	SPRING FOR ACTUATOR	
17	0V0089	PRODUCT RUNNER	
18	0V0088	PIN	
19	0V0111	DRAWER PLATE	
20	0V0867	INSULATED MEDIUM TRAY	
21	0V0100	MIDDLE-SIZE TRAY	
22	0V0852	TRAY INSULATION	
23	0V0107	CANAL	
24	0V0105	PIN FOR LEVER	
25	0V0102	ROLLER	
26	0V0108	WIRING DRAWER	
27	0V0103	RIGHT RUNNER	
28	0V0104	LEFT RUNNER	
29	0V0106	LEVER FOR TRAY	
30	0V1837	DRAWER WIRING 8 MOTORS	
31	0V1846	TRAY ASSEMBLY 'FOOD'	
32	0V1839	CROSS-PIECE	
33	0V1814	DRAWER WALL	
34	0V1816	SMALL DRAWER	
35	0V1838	BIDIRECTIONAL MOTOR	
36	0V1817	RIGHT DRAWER 'BAGUETTE'	
37	0V1818	LEFT DRAWER 'BAGUETTE'	
38	0V1841	DRIVE FLANGE	

Table :06 - Coils

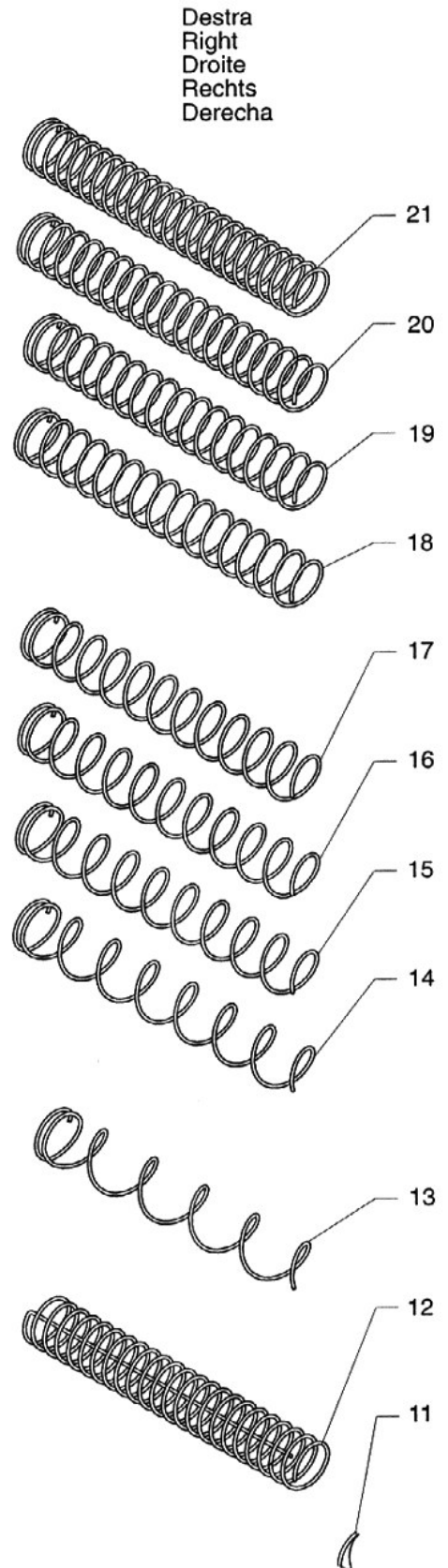
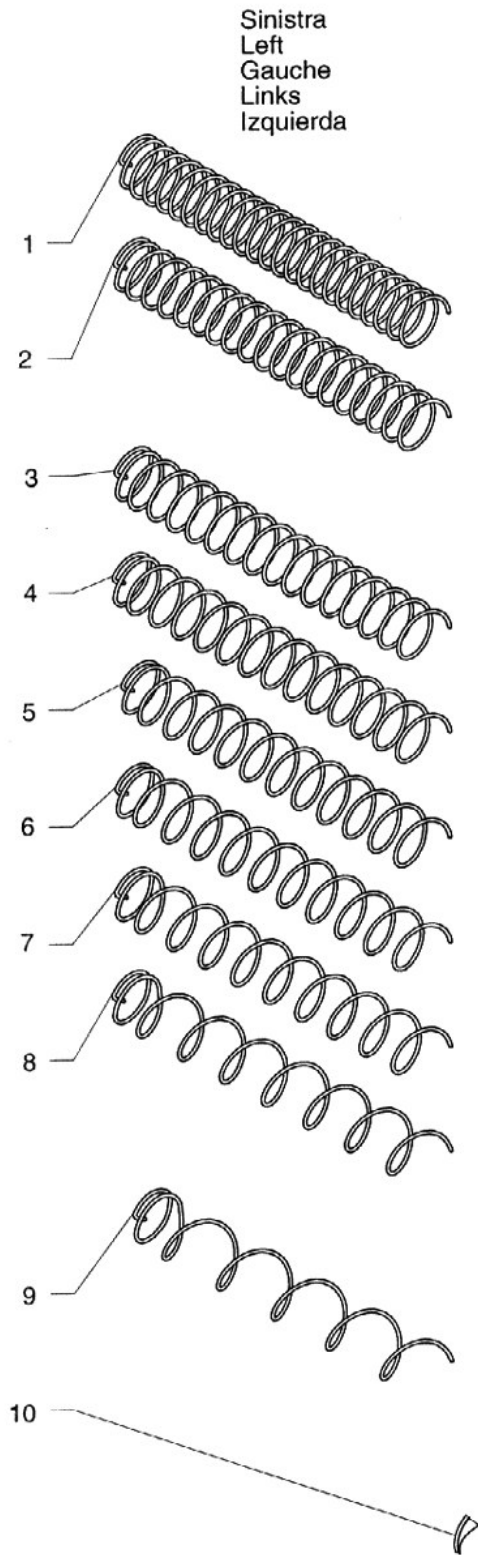


Table :06 - Coils

	Code	Description	Notes
1	0V0147	LEFT COIL D.65/P.21	
2	0V0146	LEFT COIL D.65/P.24	
3	0V0145	LEFT COIL D.65/P.30	
4	0V0144	LEFT COIL D.65/P.34	
5	0V0090	LEFT COIL D.65/P.40	
6	0V0091	LEFT COIL D.65/P.46	
7	0V0096	LEFT COIL D.65/P.54	
8	0V0143	LEFT COIL D.65/P.64	
9	0V0113	LEFT COIL D.65/P.84	
10	0V0099	LEFT EJECTOR	
11	0V0098	RIGHT EJECTOR	
12	0V0115	COIL D.65/P.24-1/2 TURN	
13	0V0112	RIGHT COIL D.65/P.84	
14	0V0141	RIGHT COIL D.65/P.64	
15	0V0097	RIGHT COIL D.65/P.54	
16	0V0092	RIGHT COIL D.65/P.46	
17	0V0093	RIGHT COIL D.65/P.40	
18	0V0094	RIGHT COIL D.65/P.34	
19	0V0095	RIGHT COIL D.65/P.30	
20	0V0142	RIGHT COIL D.65/P.24	
21	0V0148	RIGHT COIL D.65/P.21	

Table :07 - Cooling unit

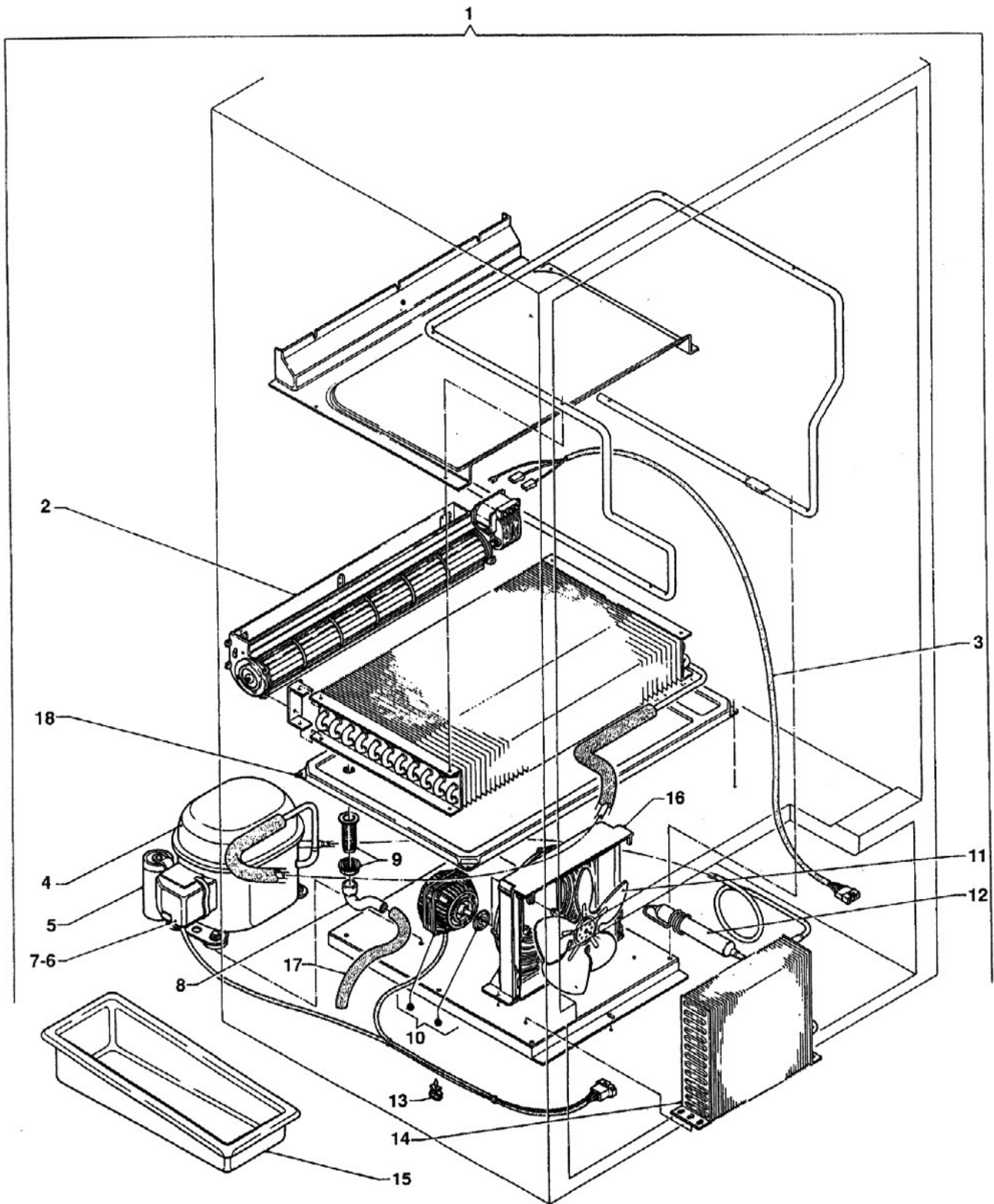


Table :07 - Cooling unit

	Code	Description	Notes
1	0V0022	REFRIGERATING GROUP	
2	0V0357	FAN	
3	0V0020	COOLING FAN WIRING	
4	986933	COMPRESSOR GP 14 TB R134	
5	985075	CAPACITOR	
6	985074	STARTING RELAY COMPRESSOR	
7	0V1779	THERMOPROTECTOR COMPRESSOR	
8	987853	SIPHON	
9	987982	TUBE	
10	0V0733	FAN MOTOR	
11	985049	IMPELLER	
12	987293	FILTER 40 GR.	
13	098166	WIRE-FIXING	
14	986945	CONDENSER	
15	0V0731	EVAPORATOR TRAY	
16	986810	CONVEYOR	
17	098719	PVC PIPE 14X19(A METER)	
18	0V0024	DRIP-CATCHER BASIN	
