

Table :01 - Door, external side

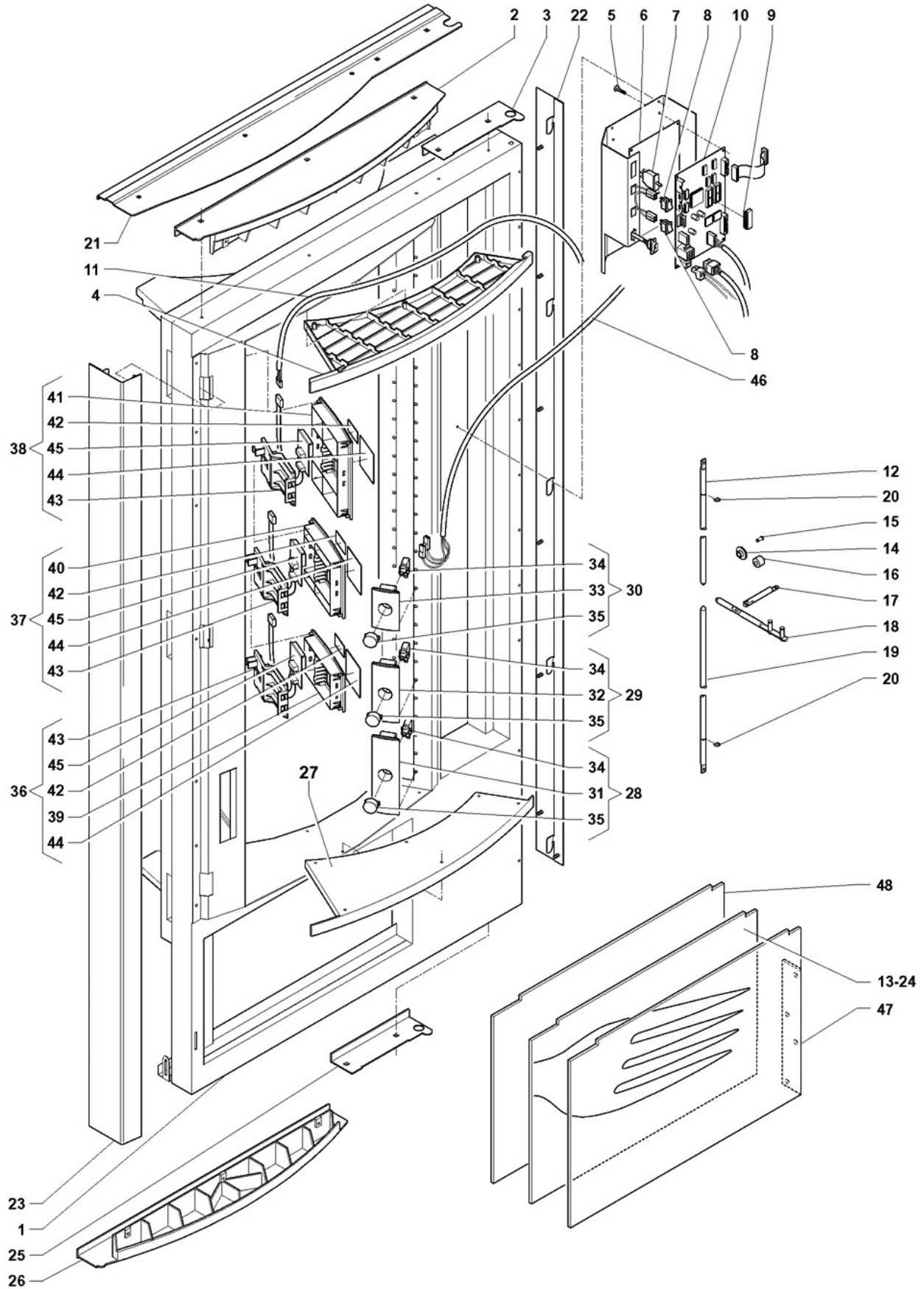


Table :01 - Door, external side

	Code	Description	Notes
1	0V3190	DOOR FRAME	
2	0V4120	UPPER HEAD	
3	0V4123	UPPER HEAD EXTENSION	
4	0V4125	UPPER COVER	
5	097175	CARD SPACER	
6	0V3147	CPU BOARD PROTECTION	
7	987575	DOOR CONTACT SWITCH	
8	097807	BUTTON	
9	0V2287	FLASH EPROM 2MB 2048K (TO BE PROGRAMMED)	
10	0V2141	16 BIT CPU BOARD	
11	0V3159	PRICE DISPLAY WIRING	
12	0V3132	UPPER DOOR CLOSING	
13	250634	LOWER BLUE PHOTOGRAPHIC PANEL - FM70-	
14	0V3129	LOCK ROD BUSHING	
15	0V3133	LOCK PIN	
16	0V3036	DOOR LOCK BUSHING	
17	0V3130	LOCK ROD	
18	0V3180	LOCK ROD	
19	0V3131	LOWER DOOR CLOSING	
20	091737	CIRCLIP DIN 6799	
21	0V4115	WATER PROTECTION	
22	0V4116	RIGHT PROFILE	
23	0V4117	LEFT PROFILE	
24	250635	LOWER GREEN PHOTOGRAPHIC PANEL - FM-	
25	0V4124	LOWER HEAD EXTENSION	
26	0V4121	LOWER HEAD -BLACK-	
27	0V4126	LOWER COVER	
28	0V4146	SELECTION MOLDING ASSY. H=130	
29	0V4145	SELECTION MOLDING ASSY. H=90	
30	0V4144	SELECTION MOLDING ASSY. H=50	
31	0V4137	SELECTION BUTTON MOLDING H=130	
32	0V4130	SELECTION BUTTON MOLDING H=90	
33	0V4136	SELECTION BUTTON MOLDING H=50	
34	0V3168	ROLL MICROSWITCH	
35	0V3415	SELECTION BUTTON - BRIGHT GREY	
36	0V4141	PRICE MOLDING ASSY. H=50	
37	0V4142	PRICE MOLDING ASSY. H=90	
38	0V4143	PRICE MOLDING ASSY. H=130	
39	0V4134	PRICE MOLDING H=50	
40	0V4128	PRICE MOLDING H=90	
41	0V4135	PRICE MOLDING H=130 -BLACK-	
42	0V3081	PRICE DISPLAY GLASS	

Table :01 - Door, external side

	Code	Description	Notes
43	0V4129	LABEL SUPPORT - BLACK -	
44	0V3080	PRODUCT LABEL GLASS	
45	0V3172	4-DIGIT PRICE CARD	
46	0V3158	BUTTON WIRING + MICRO	
47	0V3417	TRANSPARENT PANEL	
48	0V3418	OPAL-GLASS PANEL	

Table :02 - Door: internal side

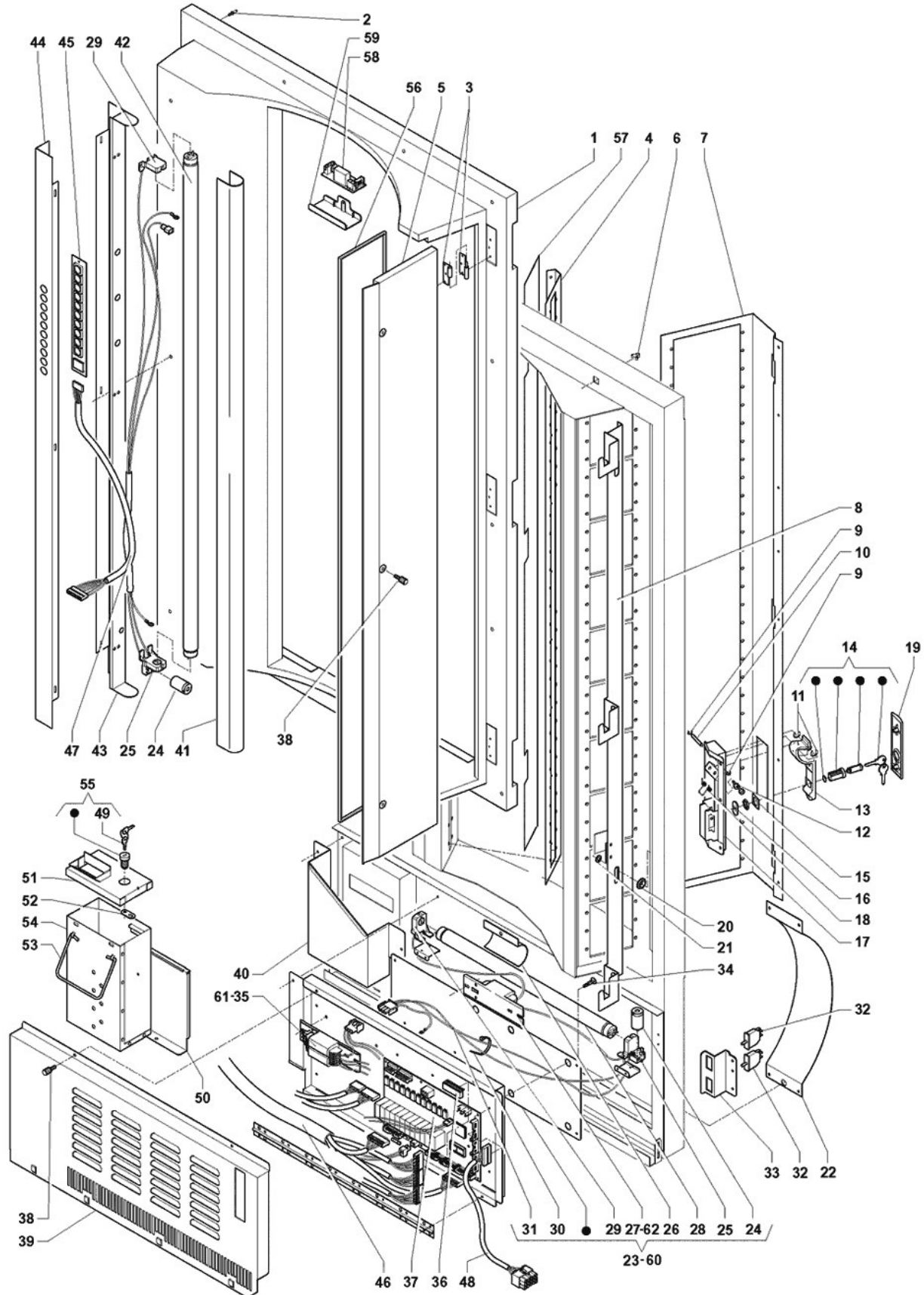


Table :02 - Door, internal side

	Code	Description	Notes
1	0V3102	DOOR FRAME	
2	094159	FIXING PLUG	
3	0V3286	LEFT HINGE	
4	0V3396	SELECTION PANEL -BLACK-	
5	0V3103	DOOR FRAME PANEL	
6	094073	LOCK SPRING GRINDER AND COFFEE GROU	
7	0V3395	DISPLAY MOLDING PANEL -BLACK-	
8	0V3193	DOOR CLOSING ROD	
9	091287	OUTER FIXING COLLAR	
10	093907	ROTATION PIVOT	
11	093171	OUTER FIXING COLLAR DIAM MM6	
12	092738	WEDGE BUMPER	
13	0V2345	DOOR LOCK HANDLE	
14	099905	LOCK RIELDA	
15	093908	LOCKING POSITION DISK	
16	0V2344	LOCK-BOLT	
17	0V3192	CLOSING SUPPORT	
18	097329	OPENING HANDLE SPRING	
19	0V4127	HANDLE COVERING -BLACK -	
20	0V3143	LOCK ROD SPACER	
21	0V3138	DOOR STOP ROD WASHER	
22	0V3072	CARD SHOCK-PREVENTING BAND	
23	0V3189	LAMP ASSY.	
24	253628	ELECTRONIC STARTER	
25	987958	LAMP-HOLDER W/STARTER-HOLDER	
26	0V2081	LAMP PROTECTION	
27	0V1011	BALLAST	
28	0V0594	NEON	
29	099783	LAMP-HOLDER	
30	090148	CLIP	
31	0V3162	LAMP WIRING	
32	987575	DOOR CONTACT SWITCH	
33	0V3807	DOOR SWITCH SUPPORT	
34	097175	CARD SPACER	
35	987367	36-40WATT BALLAST	
36	095004	EPROM 512K(TO BE PROGRAMMED)	
37	0V3171	CONTROL BOARD	
38	096977	KNURL	
39	0V3806	CARD COVERS	
40	0V3117	DOCUMENTATION HOLDER	
41	253627	LAMP PROTECTION	
42	985532	NEON LIGHT 36 WATT	

Table :02 - Door, internal side

	Code	Description	Notes
43	0V3112	LAMP/PUSH-BUTTON PANEL SUPPORT	
44	0V3114	LAMP/PUSH-BUTTON PANEL COVER	
45	987983	KEY FOR REFILLING	
46	0V3155	MAIN WIRING	
47	0V3161	LAMP AND KEYBOARD WIRING	
48	0V3365	BOARD AND CONNECTORS WIRING	
49	092218	PASSE-PARTOUT LOCK K	
50	0V4156	COIN BOX SPACER	
51	0V3177	CASHBOX COVER	
52	098551	BOLT	
53	0V3128	COIN BOX HANDLE	
54	0V3188	COIN BOX	
55	090861	CYLINDER LOCK TYPE K	
56	0V3481	SEAL (BY METRE)	
57	0V3390	PUSH-BUTTONS SHIELD	
58	0V0016	OUTR-VARISTOR CARD	
59	094849	COVERING-HOLDER	
60	253477	LAMP ASSY. -240V 50HZ-	
61	252898	240V 50HZ BALLAST -UK-	
62	252897	240V 50HZ BALLAST -UK-	

Table :03 - Control panel

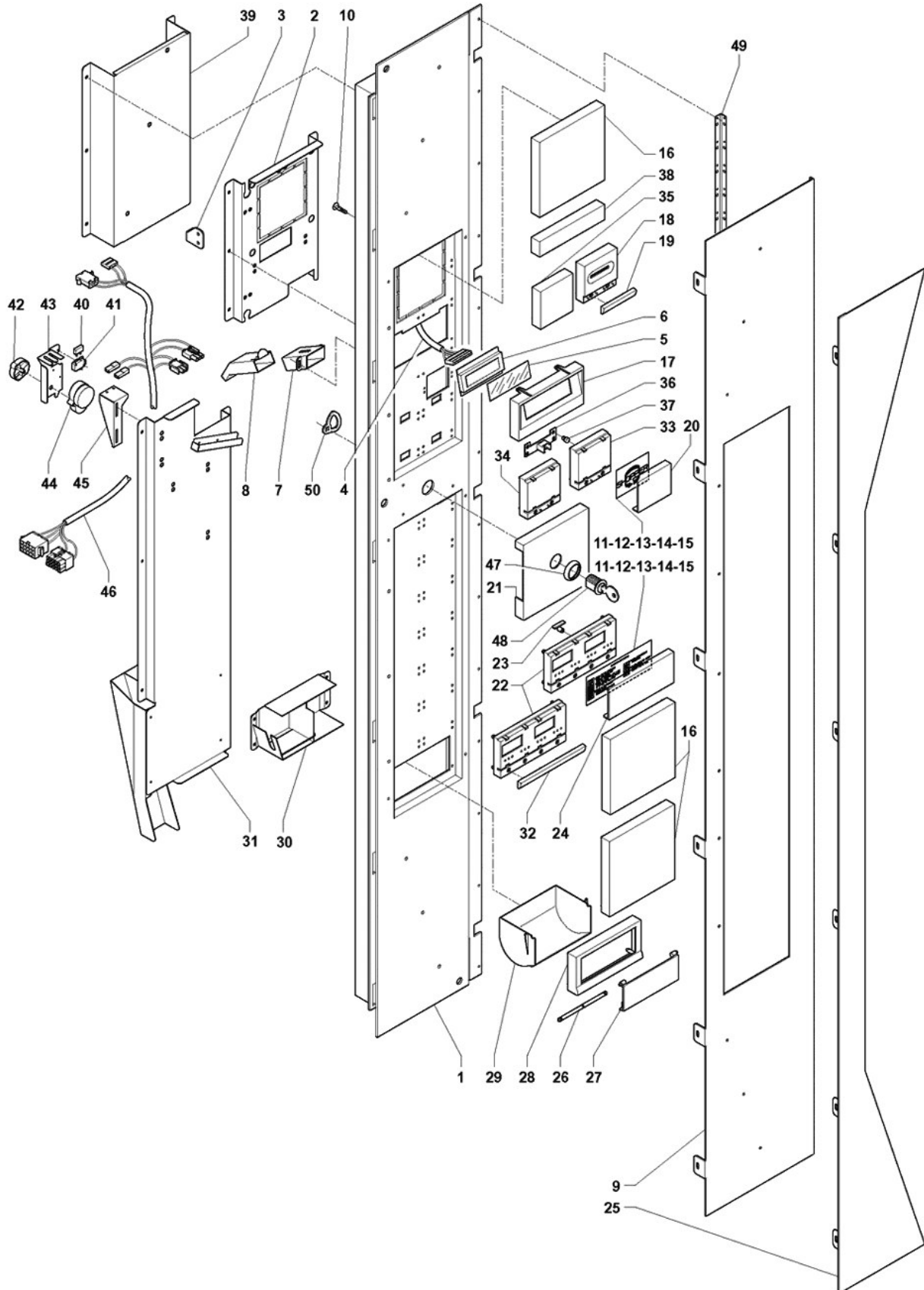


Table :03 - Control panel

	Code	Description	Notes
1	250861	SMALL DOOR FOR PAYMENT SYSTEMS	
2	250854	PAYMENT ELEMENT	
3	250856	MICROSWITCH ACTUATOR	
4	251752	STARFOOD DISPLAY WIRING	
5	39599800	GLASS FOR DISPLAY	
6	0V3896	WIRED LCD DISPLAY -FM 7000 -	
7	099357	UPPER SLIDE	
8	0V2084	LOWER COIN SLOT CHUTE	
9	251909	FM 7000 STRUCTURE WING+PROFILE	
10	097298	FASTEX CLIP	
11	251000	INSTRUCTION PLATE 'DK'	
12	251001	INSTRUCTION PLATE 'S'	
13	251002	INSTRUCTION PLATE -N-	
14	250999	INSTRUCTION PLATE 'D'	
15	250998	INSTRUCTION PLATE 'UK'	
16	39595200	BLANKING MODULE, FULL WIDTH	
17	39595500	HOLDER FOR DISPLAY	
18	39595600	COIN INSERT	
19	75816200	10 PCS PUSH BUTTONS, HALF	
20	39596000	HOLDER F LABEL, SMALL	
21	250859	LOCK SCREEN	
22	39595800	BASE MODULE	
23	39599300	SPRING	
24	39595900	HOLDER F LABEL, LARGE	
25	251909	FM 7000 STRUCTURE WING+PROFILE	
26	39276600	COUNTER WEIGHT F FLAP, LARGE	
27	39753600	FLAP F COIN RETURN CUP, LARGE	
28	39596400	FRAME F COIN RETURN CUP, LARGE	
29	39596600	COIN RETURN CUP	
30	250864	CONVEYOR	
31	250863	COIN MECH SUPPORT	
33	250858	SINGLE PUSH-BUTTON ELEMENT	
34	39597200	BASE MODULE, HALF SIZE	
35	39595400	BLANKING MODULE, QUARTER WIDTH	
36	47125400	RETURN CIRCUIT BOARD	
37	39463400	CLIP F. PRINT BOARD	
38	39596100	DISTANCE PIECE, UPPER	
39	250855	UPPER ELEMENT	
40	096845	FILTER RC 1000HM 0.1MF	
41	987669	MICROSWITCH	
42	0V0006	CAM	
43	988362	CAM SUPPORT	

Table :03 - Control panel

	Code	Description	Notes
44	099754	MOTOREDUCER	
45	988361	BRACKET FOR CAM	
46	250860	ADDITIONAL WIRING FOR DOOR	
47	0V4119	LOCK BUSHING	
48	099905	LOCK RIELDA	
49	0V3176	DOOR HINGE	
50	0V3123	LOCK OPERATION LEVER	

Table :04 - Cabinet

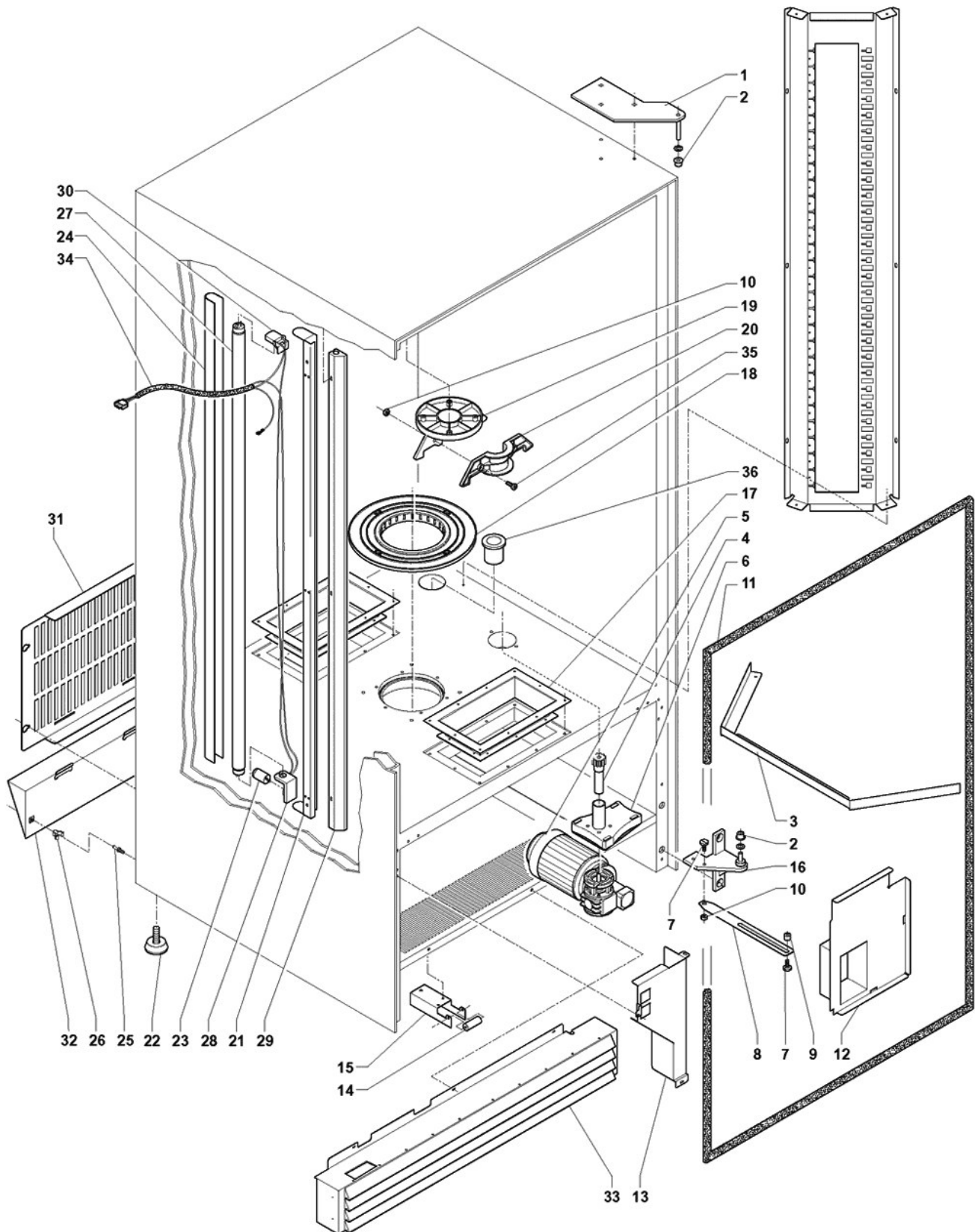


Table :04 - Cabinet

	Code	Description	Notes
1	0V3194	UPPER HINGE	
2	0V2044	DOOR BUSH	
3	0V3115	COLUMN PINION PROTECTION	
4	0V3044	DRUM DISK ROTATION PINION	
5	0V3173	REDUCTION GEARMOTOR	
6	0V3056	MOTOR ADJUSTING FLANGE	
7	0V3137	DOOR STOP ROD PIN	
8	0V3136	DOOR STOP ROD	
9	0V3135	DOOR STOP ROD BUSH	
10	985318	NUT	
11	0V3042	FRONT DOOR GASKET	
12	0V3178	FRONT COVER	until serial number 71501579
12	253640	FRONT COVER	from serial number 71501580
13	0V3120	DOOR SWITCH ACTUATION	
14	0V0601	ROLLER	
15	0V3175	DOOR ROLLER SUPPORT	
16	0V3174	LOWER HINGE	
17	0V3059	AIR INLET DUCT	
18	0V3057	LOWER CENTERING BUSHING	
19	0V3046	REAR CENTERING COLLAR	
20	0V3045	FRONT CENTERING COLLAR	
21	0V3111	LAMP SUPPORT	
22	252124	4 FEET KIT	
23	253628	ELECTRONIC STARTER	
24	253627	LAMP PROTECTION	
25	094159	FIXING PLUG	
26	094073	LOCK SPRING GRINDER AND COFFEE GROU	
27	985532	NEON LIGHT 36 WATT	
28	987958	LAMP-HOLDER W/STARTER-HOLDER	
29	0V3113	LAMP COVER	
30	099783	LAMP-HOLDER	
31	0V3179	REAR COVER	
32	0V3110	SPACER PREVENTING AIR RECIRCULATION	
33	0V3403	FEET COVER -BLACK-	
34	0V3160	INSIDE LAMP WIRING	
35	096682	SCREW 6X18	
36	0V3041	CORE HITCH PLUG	

Table :05 - Cabinet with rear door

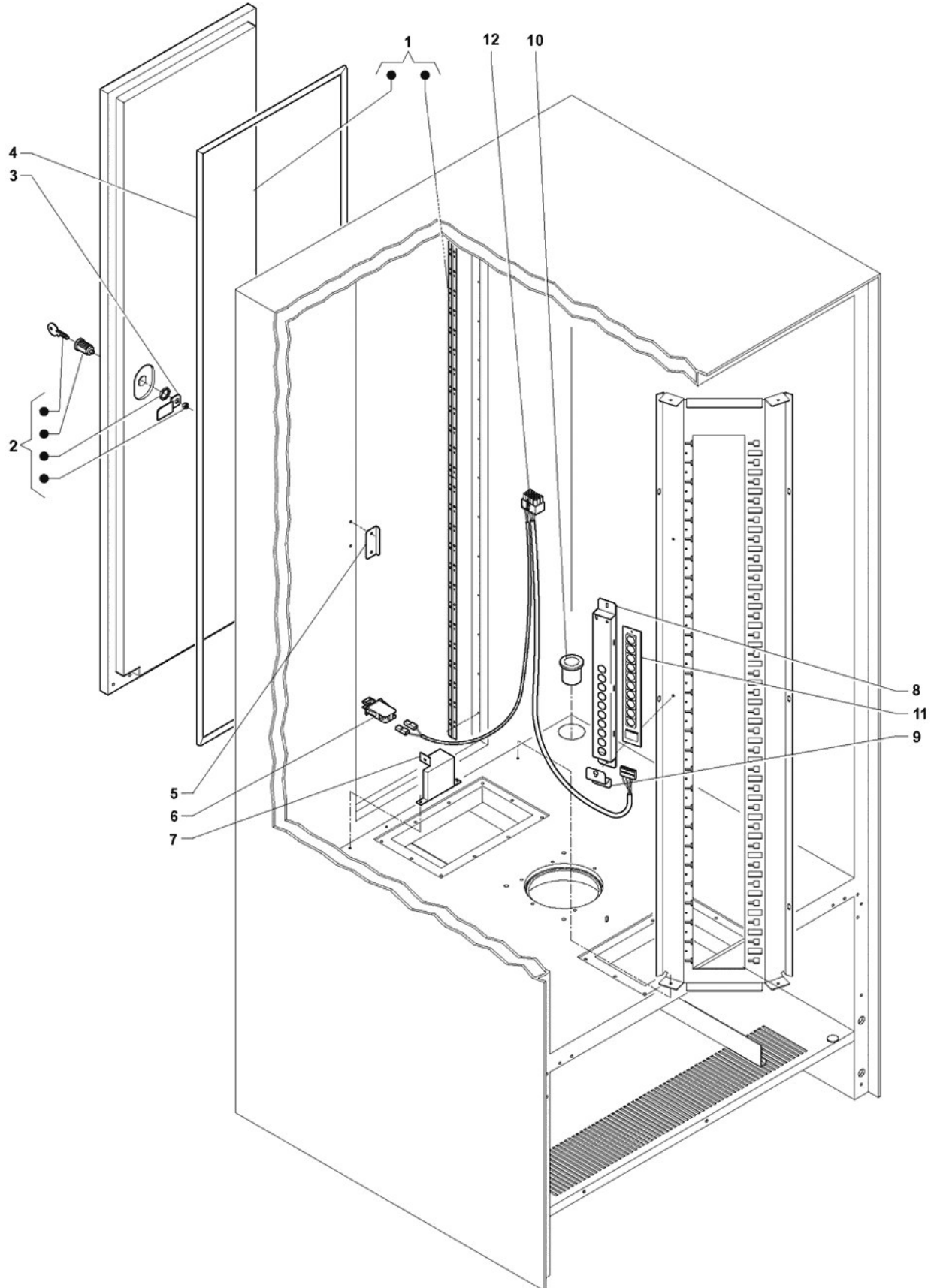


Table :05 - Cabinet with rear door

	Code	Description	Notes
1	0V3414	REAR DOOR (BLACK)	
2	0V1156	'RIELDA' LOCK	
3	0V3363	LATCH	
4	0V3411	DOOR GASKET	
5	0V3412	LATCH BOLT PLATE	
6	987575	DOOR CONTACT SWITCH	
7	0V3361	DOOR-SWITCH SUPPORT	
8	987978	SUPPORT	
9	0V3362	PUSH-BUTTON-PANEL SUPPORT	
10	0V3041	CORE HITCH PLUG	
11	987983	KEY FOR REFILLING	
12	0V3364	PUSH-BUTTON/SWITCH DOOR WIRING	

Table :06 - Electric panel

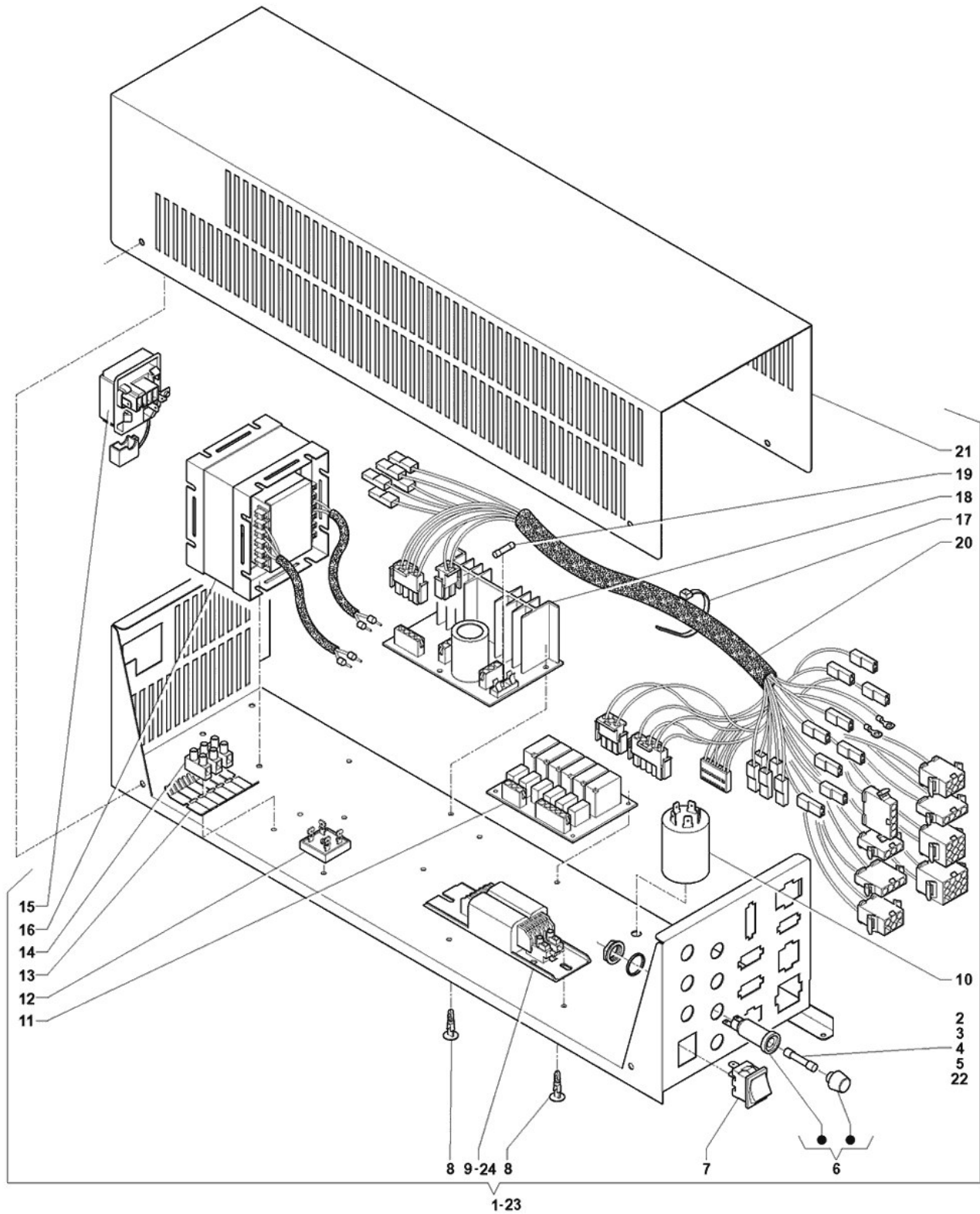


Table :06 - Electric panel

	Code	Description	Notes
1	0V3164	ELECTRICAL PANEL	
2	0V1765	FUSE 2 AMP	
3	099777	FUSE 3.15 A 12V	
4	095636	FUSE 15 A	
5	0V3170	6.3 AMP FUSE 6.3X32	
6	0V3201	FUSE HOLDER	until serial number 75101236
6	253629	FUSE HOLDER	from serial number 75101237
7	0V3200	DOUBLE-POLE SWITCH	
8	097175	CARD SPACER	
9	987367	36-40WATT BALLAST	
10	0V3512	ELECTRICAL NET FILTER	
11	0V3202	OUT/R CARD. 6 RELAYS	
12	094900	DIODE BRIDGE	
13	097242	SUB-TERMINAL BOARD	
14	093282	12-POLE TERMINAL BOARD	
15	098796	TERMINAL BOARD	
16	0V3198	G 120 TRANSFORMER	
17	090148	CLIP	
18	0V3203	POWER SUPPLY CARD	
19	097809	FUSE 3.15 AMP. DELAYED ACTION	
20	0V3199	ELECTRICAL PANEL WIRING	
21	0V3197	ELECTRICAL PANEL COVER	
22	094907	QUICK FUSE 10A	
23	253476	ELECTRICAL PANEL 240V 50HZ-UK/AUS-	
24	252898	240V 50HZ BALLAST -UK-	

Table :07 - Plates

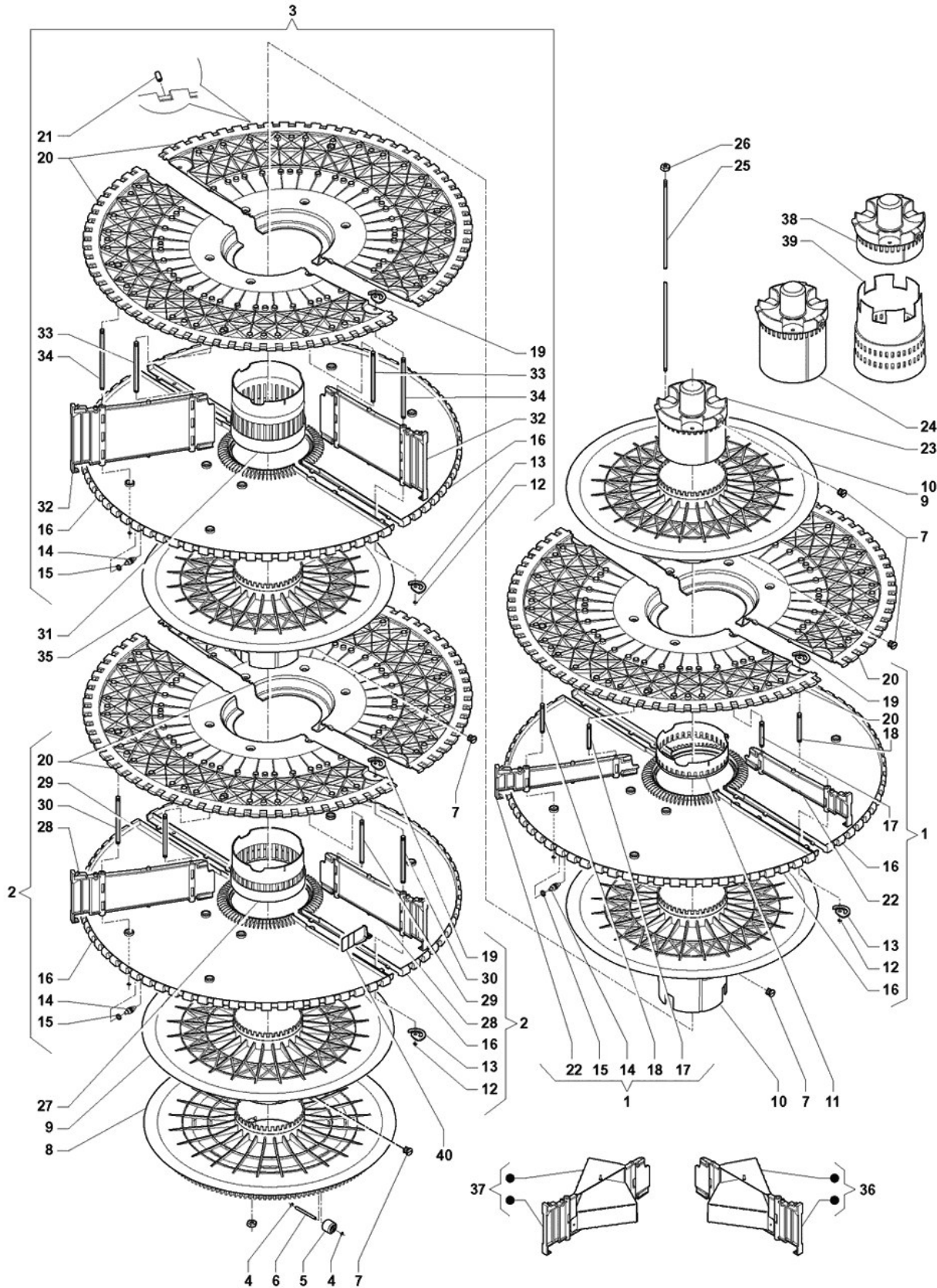


Table :07 - Plates

	Code	Description	Notes
1	0V3223	DRUM DISK SET H=50	
2	0V3186	DRUM DISK SET H=90	
3	0V3224	DRUM DISK SET H=130	
4	091842	OUTER FIXING COLLAR D.2.3	
5	0V3064	WHEEL	
6	0V3144	WHEEL PIN	
7	0V3065	AIR LOCK REGULATOR	
8	0V3052	DRUM HALF DISK BUSH AND CONTROL	
9	0V3050	DRUM HALF DISK SUPPORTING BUSH H=90	
10	0V3049	DRUM HALF DISK SUPPORTING BUSH H=50	
11	0V3053	AIR LOCK FOR DRUM DISK H=50	
12	091959	BENZING COLLAR DIAM MM4	
13	101181	CLASP LOWER	
14	0V3063	SLIDING ROLL	
15	099880	GASKET	
16	0V3096	LOWER DRUM HALF DISK DIAM. 700	
17	0V3217	INNER TIEROD H=50	
18	0V3218	OUTER TIEROD H=50	
19	101180	CLASP UPPER	
20	0V3095	UPPER DRUM HALF DISK DIAM. 700	
21	0V3126	MAGNET	
22	0V3060	SEPARATOR H=50	
23	0V3047	DRUM DISK PLUG H=50	
24	0V3048	DRUM DISK PLUG H=90	
25	0V3142	COLUMN TIEROD	
26	986614	NUT FLANGED	
27	0V3054	AIR LOCK FOR DRUM DISK H=90	
28	0V3061	SEPARATOR H=90	
29	0V3145	INNER TIEROD H=90	
30	0V3146	OUTER TIEROD H=90	
31	0V3055	AIR LOCK FOR DRUM DISK H=130	
32	0V3062	SEPARATOR H=130	
33	0V3219	INNER TIEROD H=130	
34	0V3220	OUTER TIEROD H=130	
35	0V3051	DRUM HALF DISK SUPPORTING BUSH H=130	
36	0V3393	RIGHT CANISTER FOR TRAY	
37	0V3394	LEFT CANISTER FOR TRAY	
38	0V3883	DRUM DISK PLUG H=130	
39	0V3884	BUSH FOR STOPPER H=130	
40	250249	24 BOUND PIECES 'STARFOOD'	

Table :08 - Plates lock device

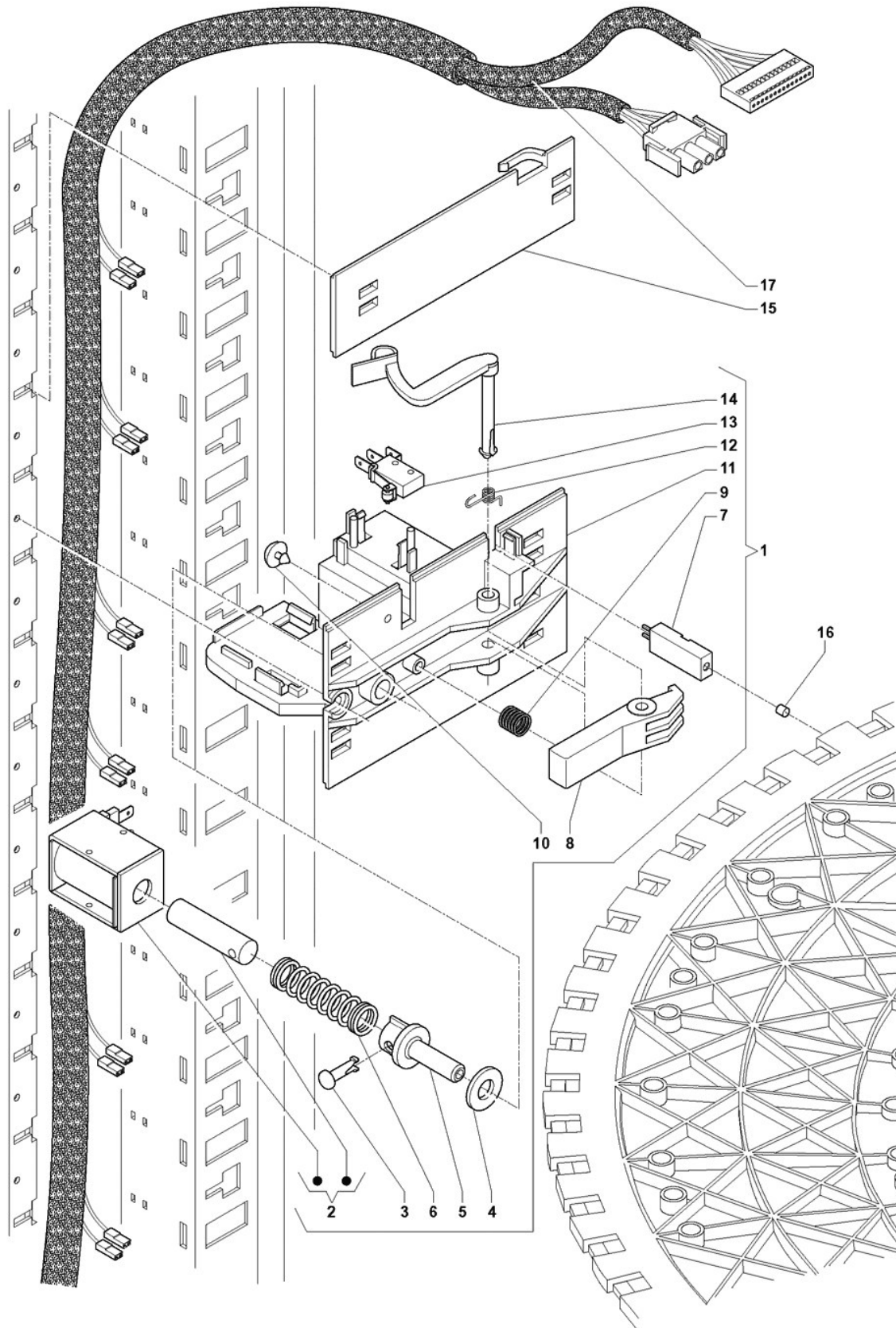


Table :08 - Plates lock device

	Code	Description	Notes
1	0V3184	ASSEMBLY WITH SOLENOID 24V AC	
2	987635	SOLENOID 24V AC	
3	0V3071	CORE FIXING PIN	
4	0V3038	RUBBER PIECE	
5	0V3070	MAGNET CORE PIN	
6	0V3140	MAGNET CORE LEVER	
7	987709	PROXIMITY SWITCH	
8	0V3068	ANTI-REVOLUTION LEVER	
9	0V3139	LEVER RETURN SPRING	
10	987703	SOCKET PEDESTAL	
11	0V3066	MAGNET SUPPORT	
12	0V3141	COUNTER LEVER SPRING	
13	987706	MICROSWITCH	
14	0V3069	SEPARATOR COUNTER LEVER	
15	0V3067	MAGNET COMPARTMENT PLUG	
16	0V3126	MAGNET	
17	0V3156	MAGNET WIRING	

Table :09 - Product locking unit

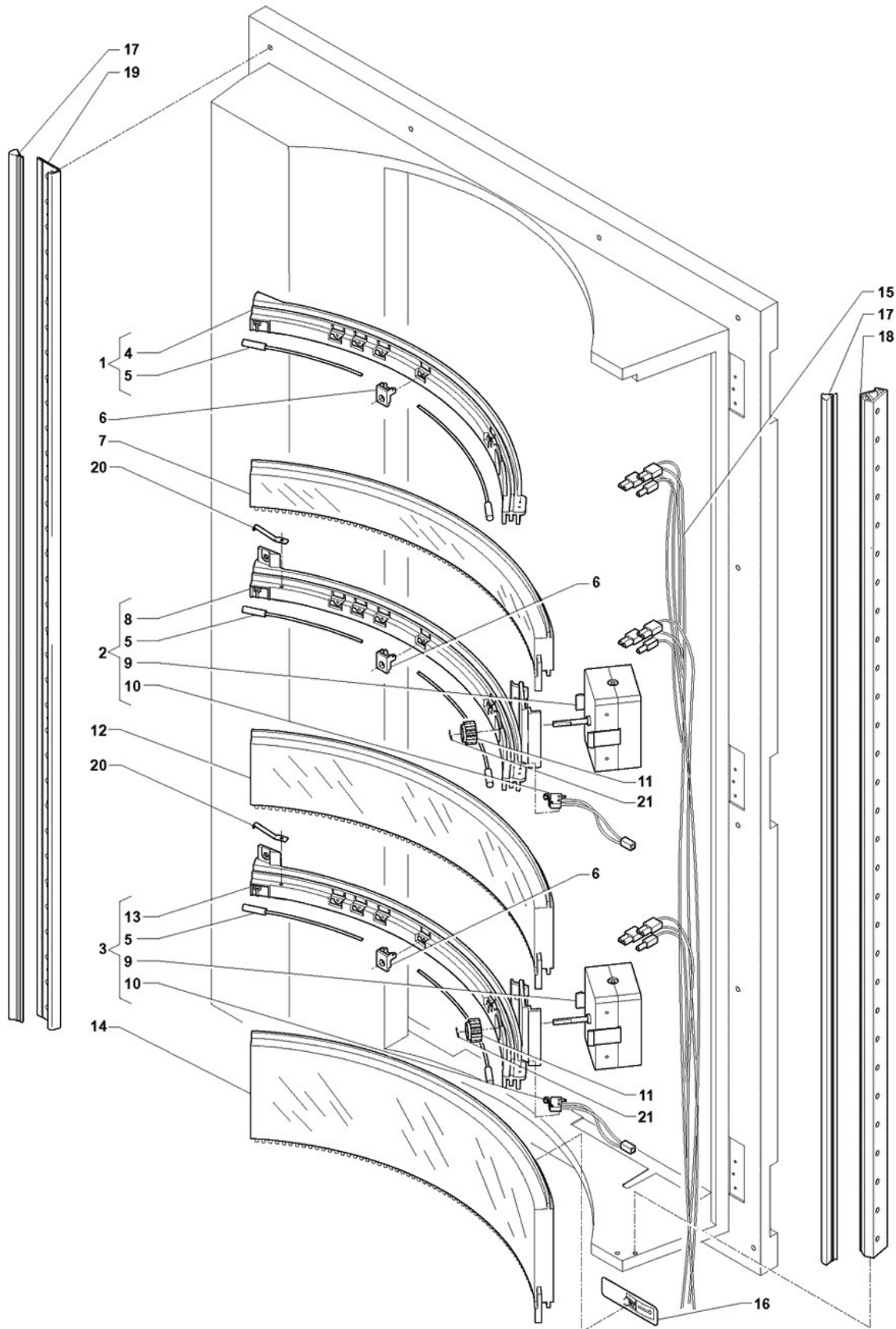


Table :09 - Product locking unit

	Code	Description	Notes
1	0V3182	UPPER GUIDE ASSY	
2	0V3181	MIDDLE GUIDE ASSY	
3	0V3183	LOWER GUIDE ASSY	
4	0V3091	UPPER SLIDER GUIDE	
5	0V3154	ANTI-CONDENSATE HEATING ELEMENT	
6	0V3093	SLIDER STOP BLOCK	
7	0V3099	PRODUCT SLIDER H=50	
8	0V3090	INTERMEDIATE SLIDER GUIDE	
9	0V3097	SLIDER DRIVE REDUCTION GEARMOTOR	
10	0V3163	SLIDER MICROSWITCH WIRING	
11	0V3043	SLIDER DRIVE PINION	
12	0V3098	PRODUCT SLIDER H=90	
13	0V3092	LOWER SLIDER GUIDE	
14	0V3100	PRODUCT SLIDER H=130	
15	0V3157	SLIDER WIRING	
16	0V3153	SLIDER ADHESIVE LABEL	
17	0V3148	BRUSH-TYPE GASKET	
18	0V3094	GASKET SUPPORT PROFILE	
19	0V3360	ARMOR PLATING PROFIL	
20	0V4109	SLIDER SPRING	
21	250017	OUTER FIXING COLLAR D.MM 6	

Table :10 - Cooling unit

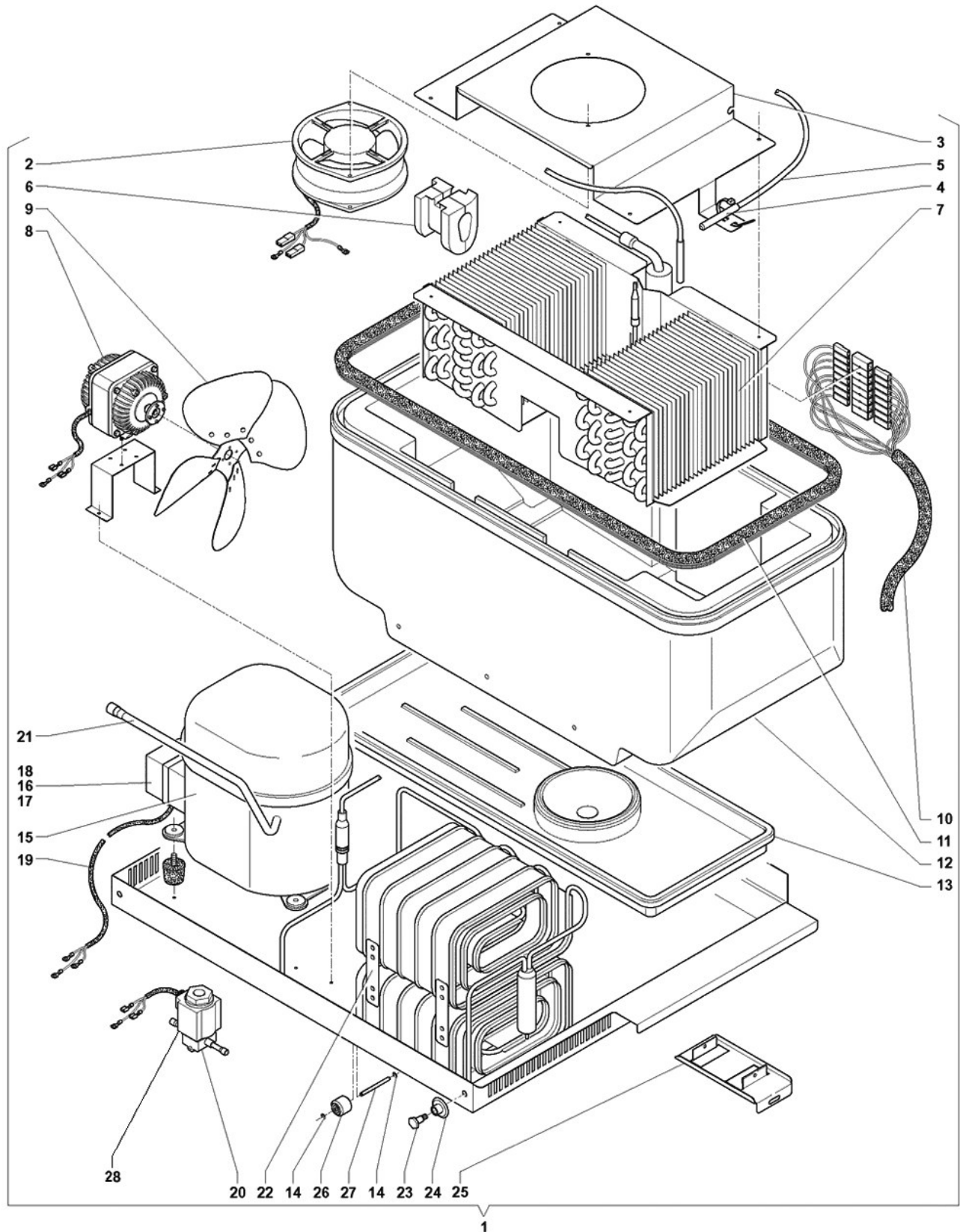


Table :10 - Cooling unit

	Code	Description	Notes
1	0V3196	COOLING UNIT	
2	0V3212	AXIAL FAN	
3	0V3206	FAN COVER	
4	250612	TEMPERATURE PROBE	
5	254812	WIRING WITH PROBES	
6	0V3040	PIPE THROUGH	
7	0V3216	EVAPORATOR	
8	0V3213	MOTOR VNT 18-30	
9	987985	230-340 FAN	
10	0V3210	REFRIGERATOR WIRING	
11	0V3039	EVAPORATOR CONTAINER GASKET	
12	0V3101	EVAPORATOR CONTAINER	
13	0V3037	CONDENSATE COLLECTION TRAY	
14	091959	BENZING COLLAR DIAM MM4	
15	987986	COMPRESSOR GR18TB	
16	987988	CAPACITOR	
17	987989	OVERH.PROTECT	
18	987040	RELAY COMPRESSOR STARTER	
19	0V3211	COMPRESSOR WIRING	
20	0V3214	HOT GAS ELECTROVALVE	
21	985603	RECHARGE VALVE	
22	0V3215	CAPACITOR + FILTER	
23	0V3207	LIFT PIN	
24	0V3208	SLIDING WHEEL	
25	0V3118	UNIT HOLDING SQUARE	
26	0V3064	WHEEL	
27	0V3144	WHEEL PIN	
28	0V1442	HOT-GAS ELECTROVALVE SOLENOID	

Table :11 - Pin and connectors

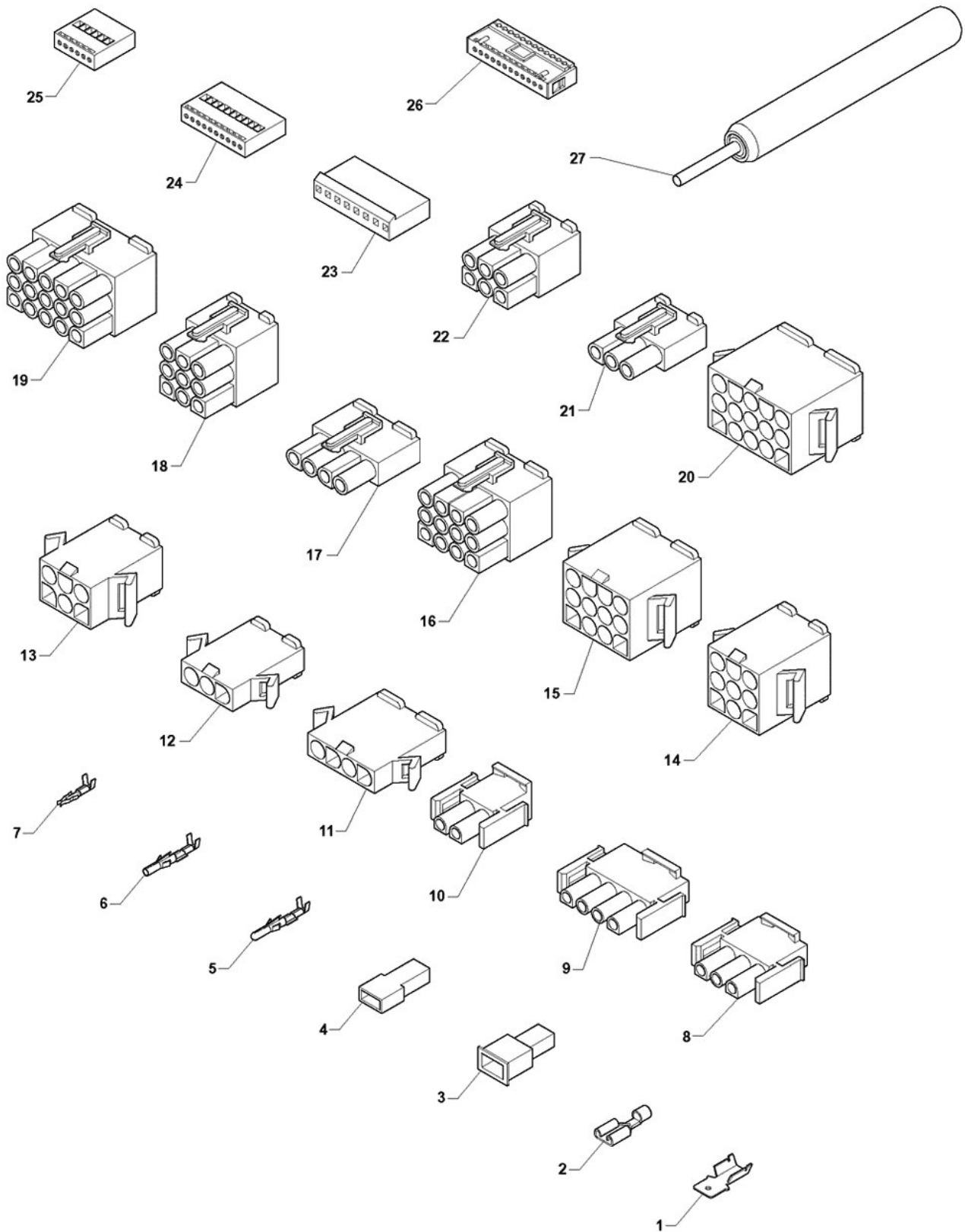


Table :11 - Pin and connectors

	Code	Description	Notes
1	091159	TERMINAL FASTON MALE BRASS	
2	090959	FASTON W/O TONGUE	
3	091192	FASTON COVER	
4	090247	FEMALE FASTON COVER	
5	095955	TERMINAL MALE	
6	096136	TERMINAL FEMALE	
7	094405	TERMINAL FEMALE 2.5	
8	094954	FEMALE HOLDER CONNECTOR 3-WAYS	
9	098062	4-WAY CONNECTOR MATE-N-LOK AMP	
10	094955	FEMALE HOLDER CONNECTOR 2-WAYS	
11	0V0809	4-PIN CONNECTOR/P MOLEX 3191	
12	0V0808	3-PIN CONNECTOR/P MOLEX 3191	
13	0V0810	6-PIN CONNECTOR/P MOLEX 3191	
14	0V0811	9-PIN CONNECTOR/P MOLEX 3191	
15	0V0812	12-PIN CONNECTOR/P MOLEX 3191	
16	0V0818	12-PIN CONNECTOR/P MOLEX 3191	
17	0V0815	4-PIN CONNECTOR/P MOLEX 3191	
18	0V0817	9-PIN CONNECTOR/P MOLEX 3191	
19	0V0819	15-PIN CONNECTOR/P MOLEX 3191	
20	0V0813	15-PIN CONNECTOR/P MOLEX 3191	
21	0V0814	3-PIN CONNECTOR/P MOLEX 3191	
22	0V0816	6-PIN CONNECTOR/P MOLEX 3191	
23	093993	CHASER CONNECTOR FEMALE HOLDER 10-W	
24	094404	FEMALE HOLDER CONNECTOR 12-WAYS 2.5	
25	094712	FEMALE HOLDER CONNECTOR STOKO 6-WAY	
26	094961	FEMALE HOLDER CONNECTOR P.I. 12-W	
27	0V0820	MOLEX CONTACT PULLER	

Table :12 - Plates lock device - Mav 2004 (from serial number 41800487)

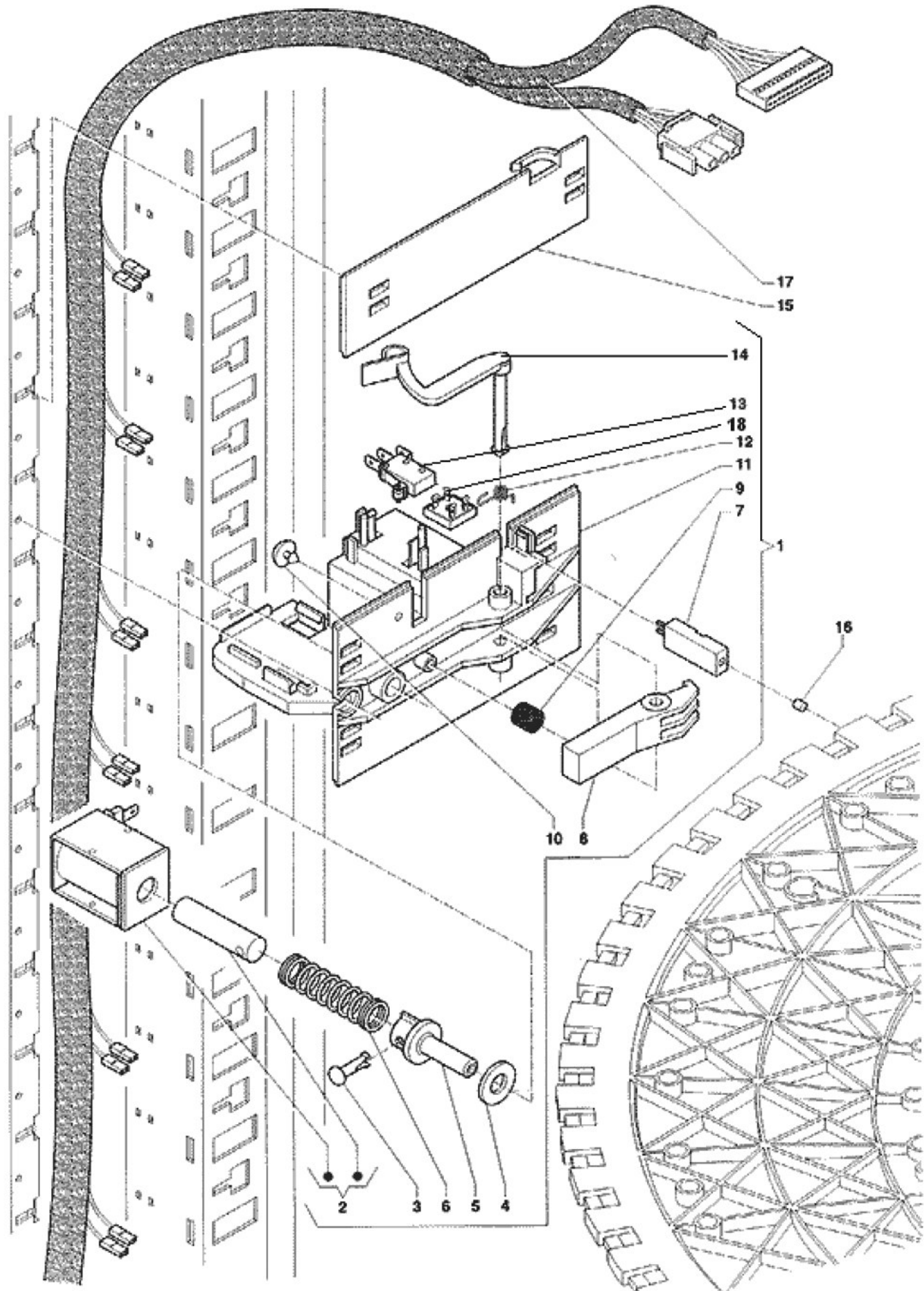


Table :12 - Plates lock device - May 2004 (from serial number 41800487)

Code	Description	Notes
1 251214	ASSEMBLY WITH SOLENOID 24V DC	from serial number 41800487
2 251213	SOLENOID 24V DC	from serial number 41800487
3 0V3071	CORE FIXING PIN	
4 0V3038	RUBBER PIECE	
5 0V3070	MAGNET CORE PIN	
6 0V3140	MAGNET CORE LEVER	
7 987709	PROXIMITY SWITCH	
8 0V3068	ANTI-REVOLUTION LEVER	
9 0V3139	LEVER RETURN SPRING	
10 987703	SOCKET PEDESTAL	
11 0V3066	MAGNET SUPPORT	
12 0V3141	COUNTER LEVER SPRING	
13 987706	MICROSWITCH	
14 0V3069	SEPARATOR COUNTER LEVER	
15 0V3067	MAGNET COMPARTMENT PLUG	
16 0V3126	MAGNET	
17 0V3156	MAGNET WIRING	
18 094900	DIODE BRIDGE	from serial number 41800487