

Table :01 - Door - External side

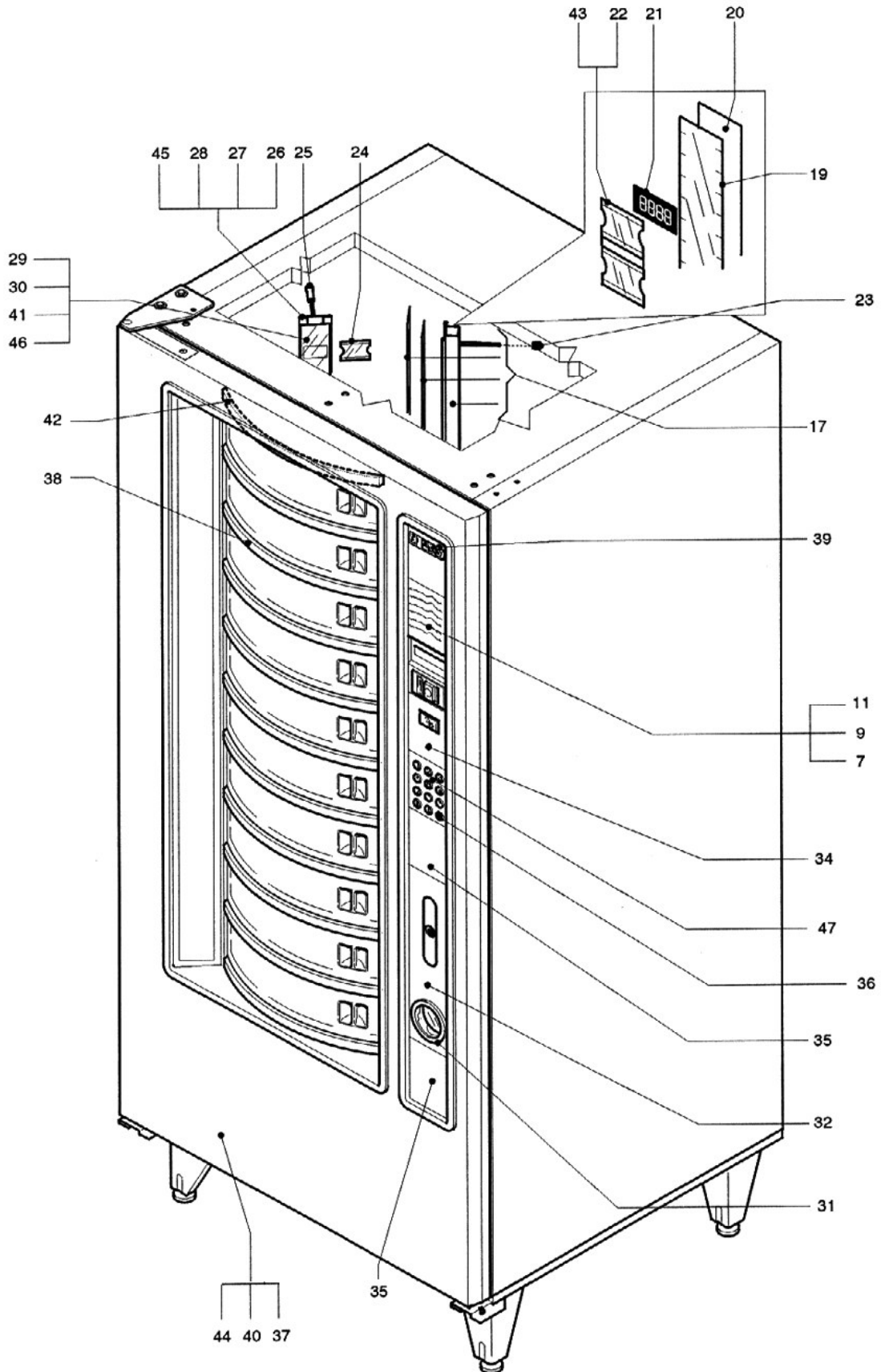


Table :01 - Door - External side

	Code	Description	Notes
7	988356	INSTRUCTION PLATE 'FRENCH'	
9	988358	INSTRUCTION PLATE 'FLEMISH'	
11	988355	INSTRUCTION PLATE 'ENGLISH'	
17	0V2933	LABEL SUPPORT ASSEMBLY (BLACK)	
19	0V2936	BAND (BLACK)	
20	0V2934	TRANSPARENT BAND	
21	987687	PRICE TAGS	
22	0V2931	ADHESIVE LABEL HOLDER (GREY)	
23	097699	KNURL M4	
24	0V1413	LABEL HOLDER - GREY-	
25	0V1409	KNURLED NUT	
26	0V3327	LABEL SUPPORT ASSEMBLY -GREY-	
27	0V3327	LABEL SUPPORT ASSEMBLY -GREY-	
28	0V3328	LABEL SUPPORT ASSEMBLY -BLACK-	
29	0V1411	PRODUCT PANEL 1/90-2/50-5/90-2/130	
30	0V1410	PRODUCT PANEL 10/90	
31	0V0834	COIN RECOVERY FRAME 'BLACK'	
32	987578	COIN RETURN PIECE/LOCK (BLACK)	
34	987594	PUSH-BUTTON PIECE (BLACK)	
35	988078	NEUTRAL PIECE 'BLACK'	
36	099134	BUTTON	
37	0V2969	DOOR -FM3000- WHITE/BLACK (UK)	
38	0V2355	HEATING PROFILE'BLACK'	
39	0V2782	LOGO PLATE (FM)	
40	0V2781	WHITE/BLACK DOOR (FM)	
41	0V2779	PRODUCT PANEL 10/90 "BLACK"	
42	987843	UPPER HEATING ELEMENT GUIDE (BLACK)	
43	0V2952	ADHESIVE LABEL HOLDER (BLACK)	
44	0V2951	DOOR FOR PRODUCT PANEL (BLACK)	
45	0V3328	LABEL SUPPORT ASSEMBLY -BLACK-	
46	0V2950	PRODUCT PANEL 3-4-3 (BLACK)	
47	987840	PUSH-BUTTON PANEL ELEMENT (BLACK)	

Table :02 - Cabinet assv

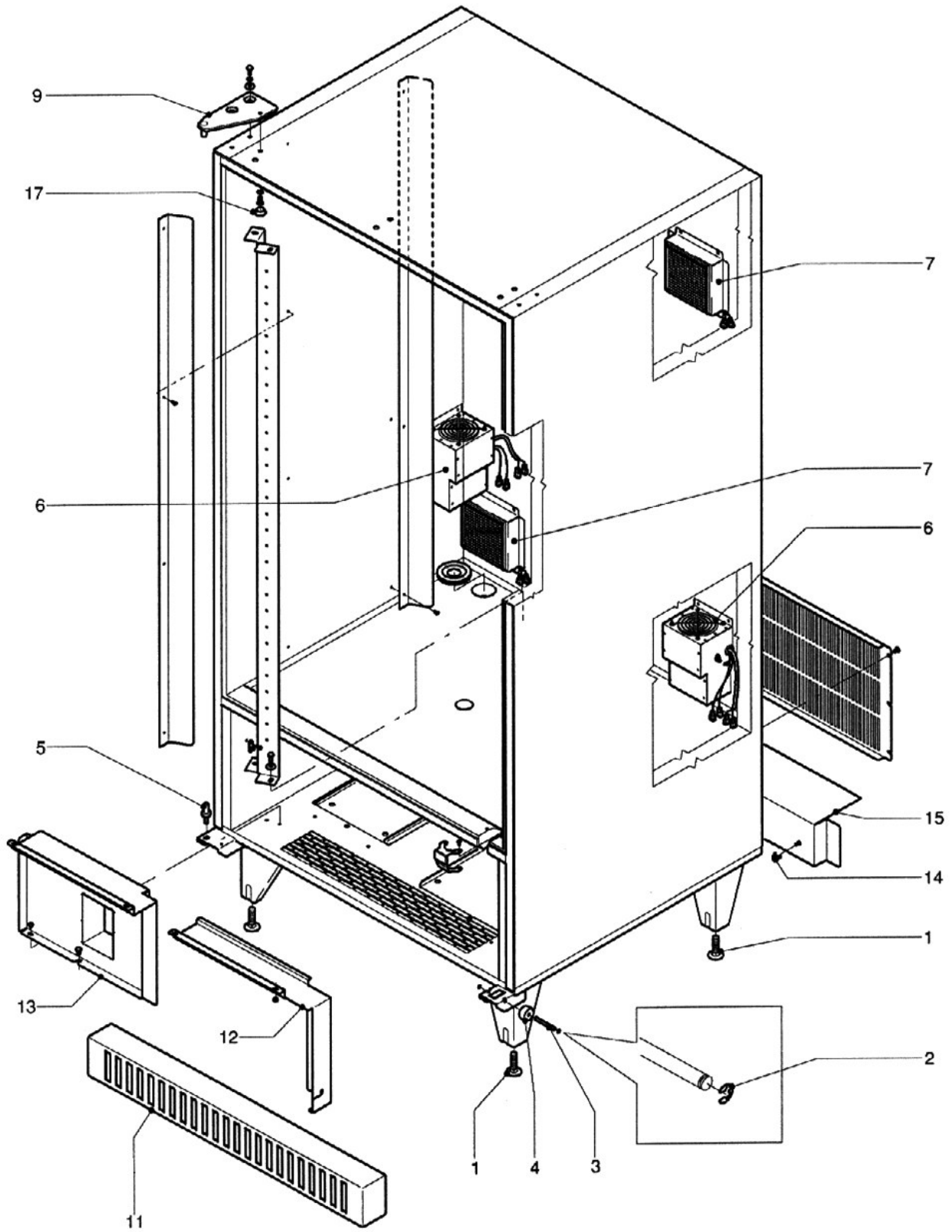


Table :02 - Cabinet assy

	Code	Description	Notes
1	090642	LEVELLER FEET	
2	091959	BENZING COLLAR DIAM MM4	
3	987571	ARBOR	
4	987573	COIL	
5	987579	HINGE BOLT LOWER	
6	987642	HEATING DEVICE	
7	987643	FAN	
9	987550	DOOR BEARING UPPER	
11	0V2778	BLACK FEET COVERING	
12	987808	FRONT PROTECTION	
13	987830	PANEL COVERING	
14	094073	LOCK SPRING GRINDER AND COFFEE GROU	
15	987829	REAR BAFFLE	
17	988313	STOPPER	

Table :03 - Disk shaft

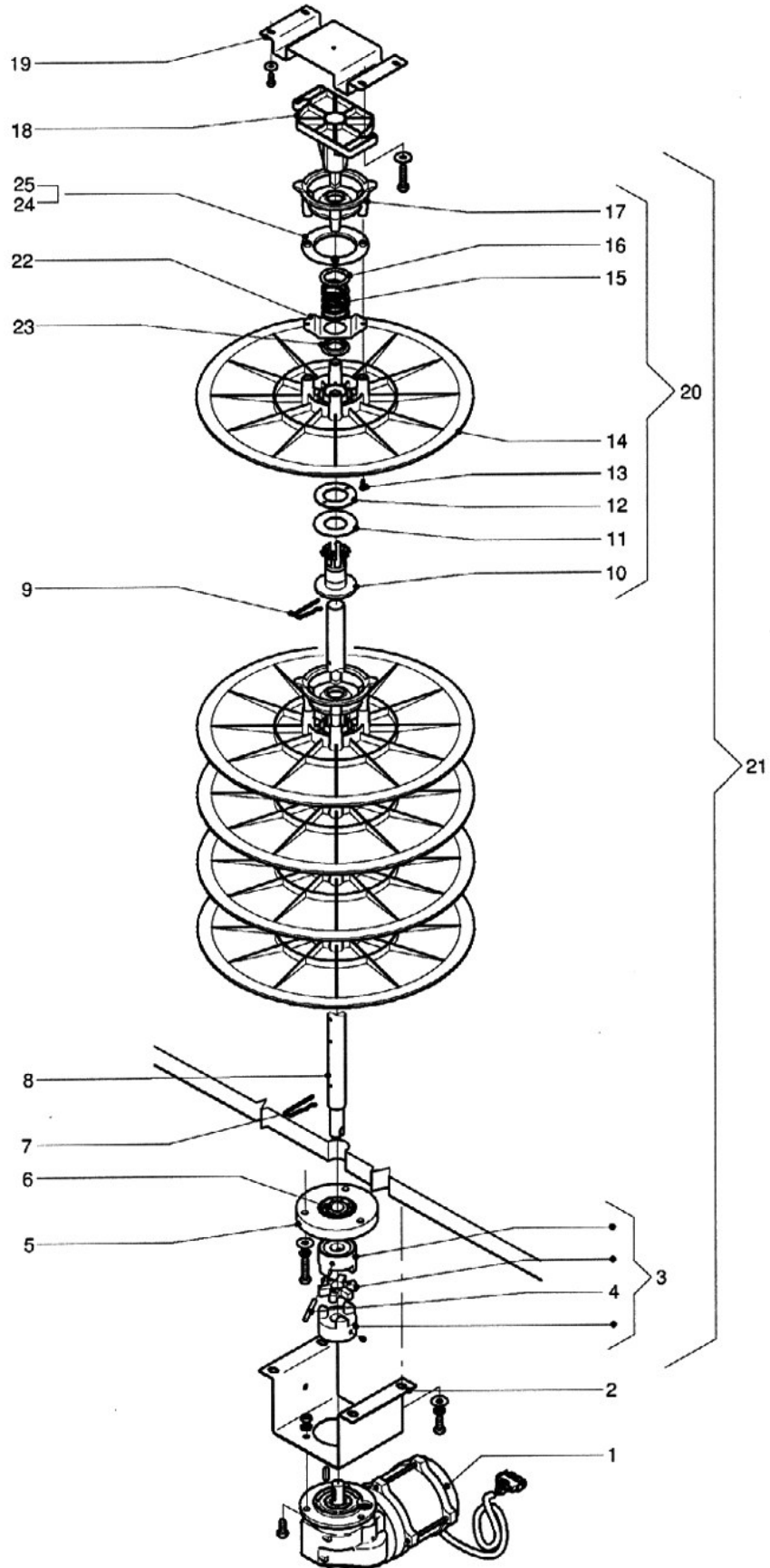


Table :03 - Disk shaft

	Code	Description	Notes
1	988335	MOTOR	
2	101184	CONSOLE FOR MOTOR	
3	101185	ELASTIC COUPLING	
4	101008	PIN SHAFT	
5	987917	FLANGE	
6	987918	BEARING	
7	988333	SPLIT PIN	
8	987567	CYLINDER SHAFT	
9	987565	W-CLIP	
10	987563	HUB	
11	987559	THRUST WASHER	
12	987561	CLUTCH DISK	
13	987667	SCREW 5X20	
14	987556	SUPPORTING PLATE	
15	987555	PRESSURE SPRING	
16	987554	SLIDING WASHER	
17	987521	REINFORCEMENT	
18	987553	CYLINDER BEARING	
19	987552	BEARING PLATE	
20	987522	SUPPORTING PLATE COMPLET	
21	987637	CYLINDER SHAFT '10 SUPPORTING'V	
22	987638	PLATE FOR BUSH	
23	987639	BUSH	
24	987841	CENTERING BUSH	
25	0V1408	UPPER CENTERING BUSH	

Table :04 - Disks

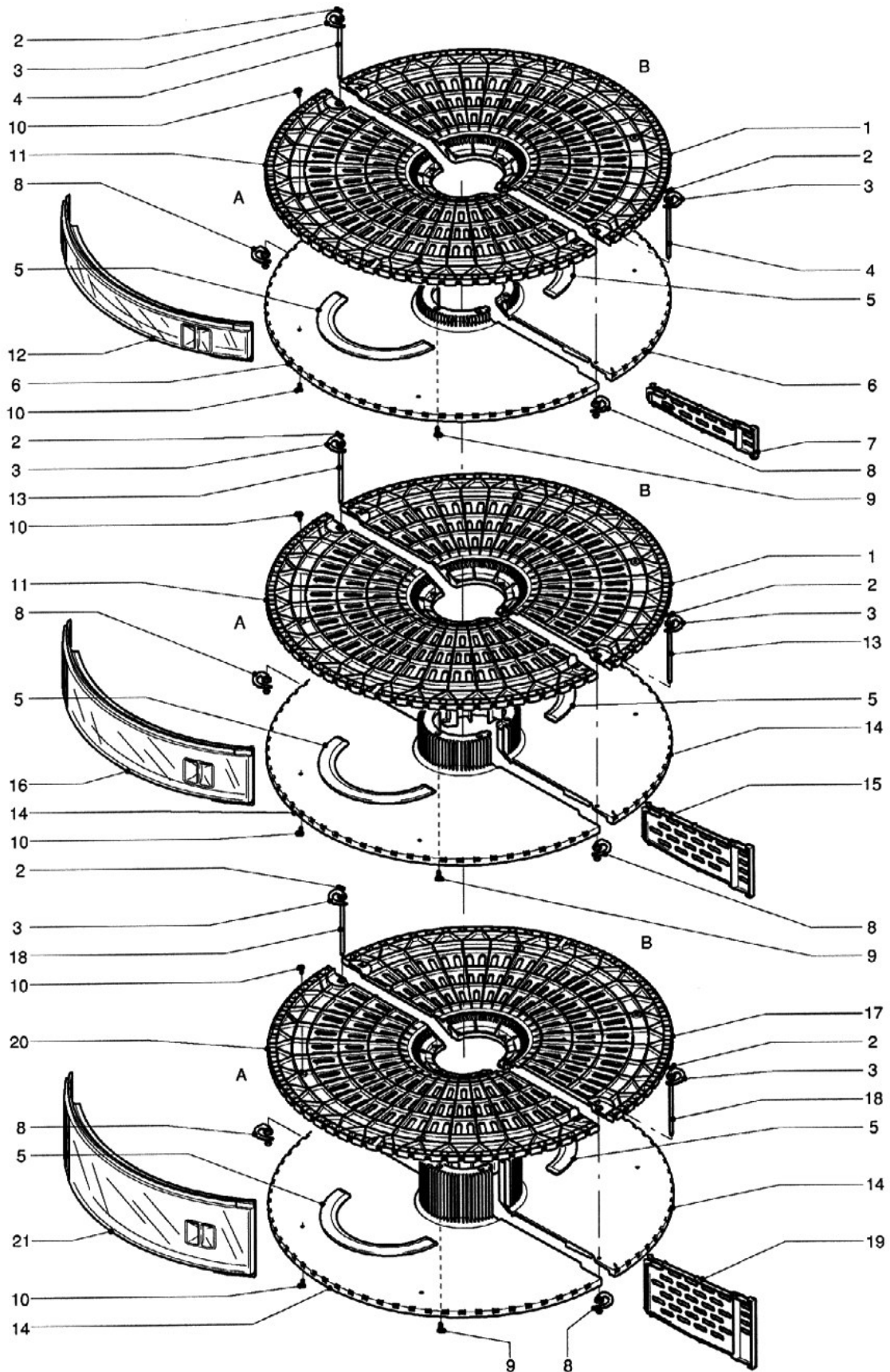


Table :04 - Disks

	Code	Description	Notes
1	987601	HALF OF THE STOREY CAP 50/90(RIGHT-LEFT)	
2	091959	BENZING COLLAR DIAM MM4	
3	101180	CLASP UPPER	
4	987603	LOCKING ARBOR 50	
5	987596	ANTI-THEFT RING	
6	987619	HALF OF THE STOREY BOTTOM 50	
7	987620	PARTITION WALL 50	
8	101181	CLASP LOWER	
9	987610	EJOT-PT-SCREW 50X16	
10	987612	EJOT-PT-SCREW 4X12	
11	987601	HALF OF THE STOREY CAP 50/90(RIGHT-LEFT)	
12	987621	REMOVAL SLIDE 50	
13	987606	LOCKING ARBOR 90	
14	987625	HALF OF THE STOREY BOTTOM 90/13	
15	987626	PARTITION WALL 90	
16	987627	REMOVAL SLIDE 90	
17	987608	HALF OF THE STOREY CAP 130	
18	987609	LOCKING ARBOR 130	
19	987633	PARTITION WALL 130	
20	987608	HALF OF THE STOREY CAP 130	
21	987634	REMOVAL SLIDE 130	

Table :05 - Electric panel

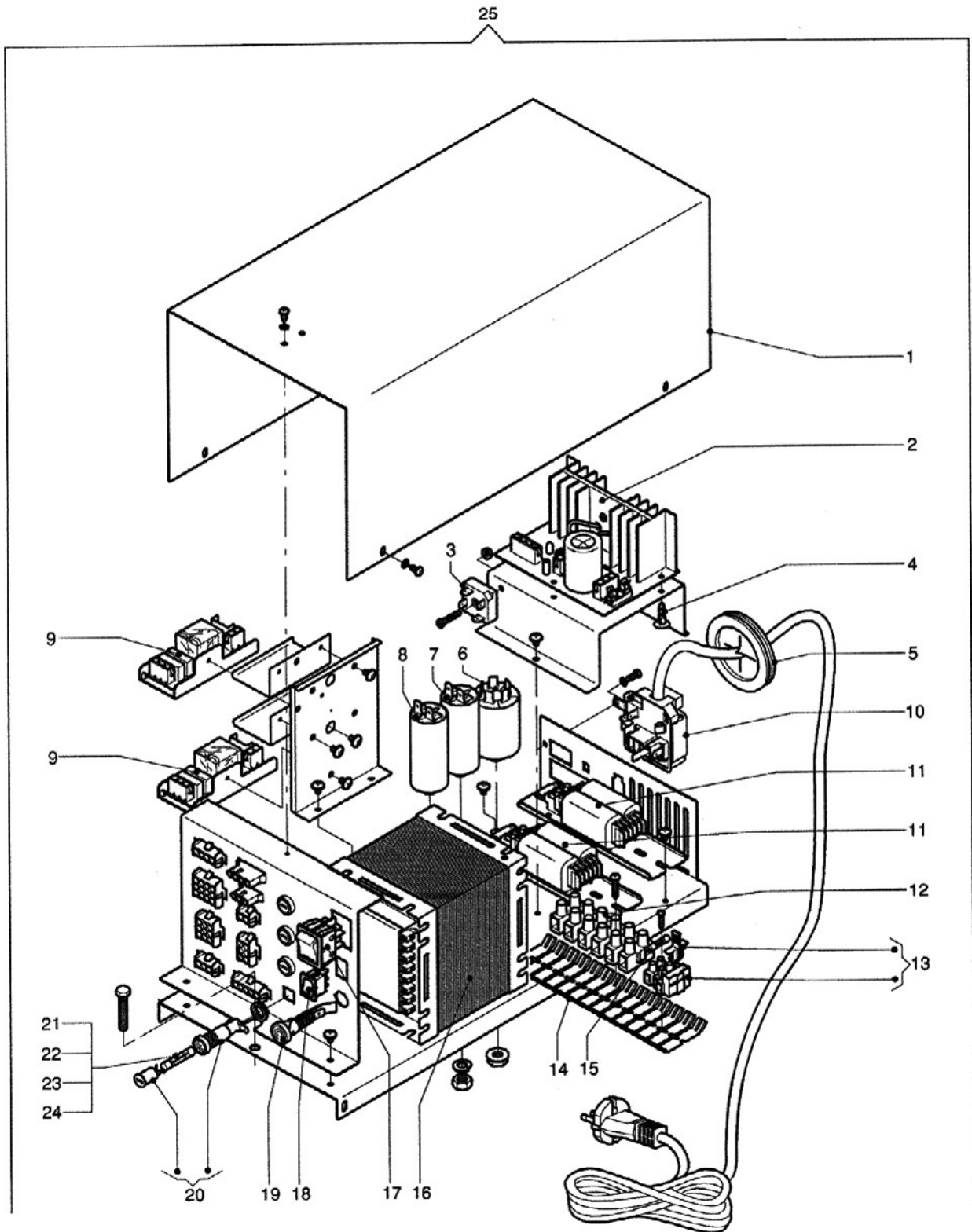


Table :05 - Electric panel

	Code	Description	Notes
1	101094	COVER	
2	097808	FEEDING BOARD	
3	094900	DIODE BRIDGE	
4	097175	CARD SPACER	
5	987902	CABLE BUSHING	
6	0V3512	ELECTRICAL NET FILTER	
7	987655	CAPACITOR 7 MF	
8	987654	CAPACITOR 10 MF	
9	0V0015	OUTR CARD	
10	098796	TERMINAL BOARD	
11	987367	36-40WATT BALLAST	
12	987674	TERMINAL BOARD	
13	097241	3-POLE TERMINAL BOARD W/CARRIER	
14	097242	SUB-TERMINAL BOARD	
15	097097	FUSE 2 AMP.5X20 DELAYED ACT	
16	988329	TRANSFORMER G120	
17	092366	BIPOLAR SWITCH LUMINOUS	
18	098214	SWITCH	
19	099352	LUMINOUS INDICATOR 24 VOLT	
20	098794	FUSE-HOLDER	
21	988014	FUSE 2 AMP	
22	099779	FUSE 12 A 24V	
23	099778	FUSE 4 A 24V	
24	096280	FUSE 6.3A	
25	0V2200	ELECTRICAL PANEL ASSEMBLY - SMART	

Table :06 - Electric circuit

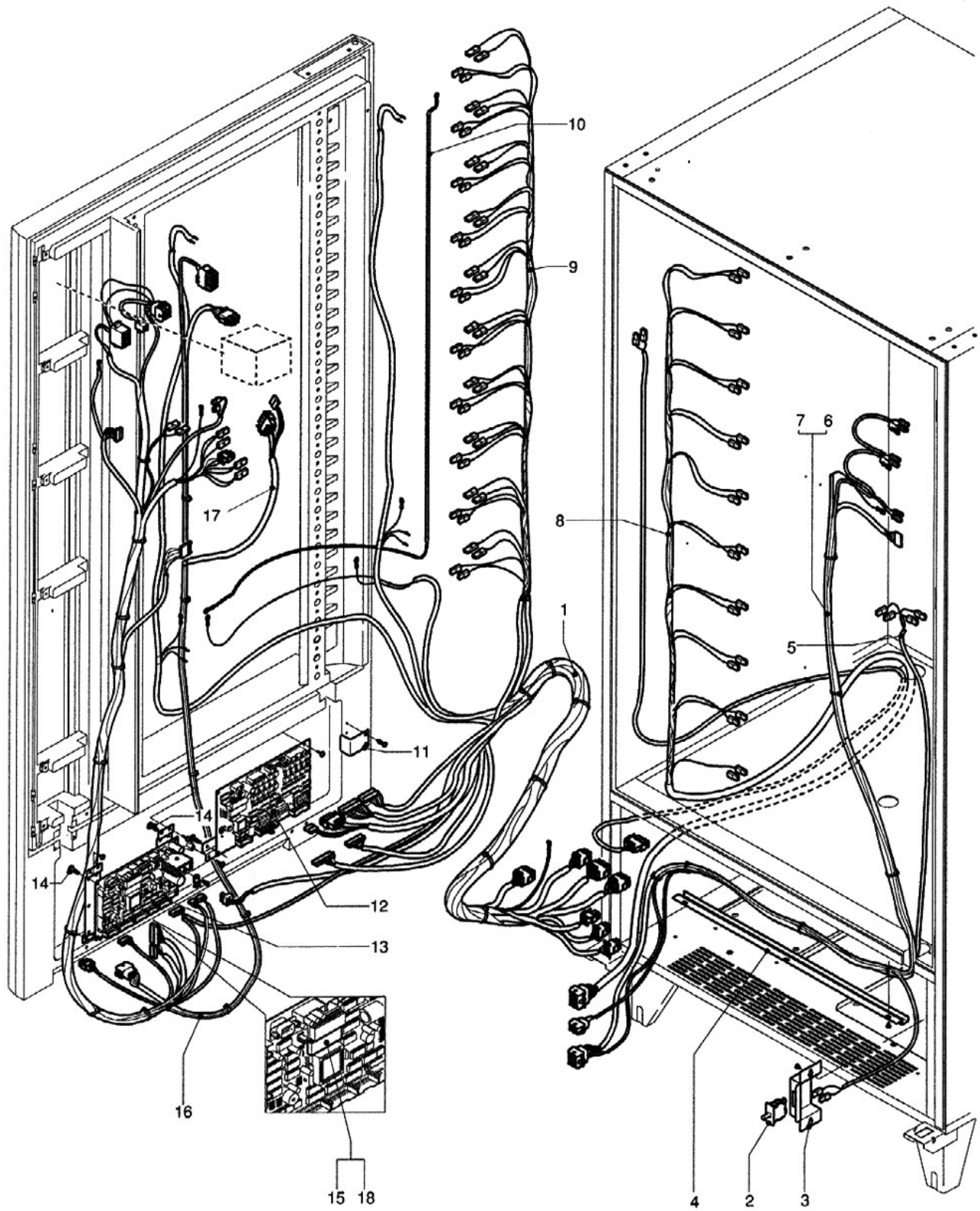


Table :06 - Electric circuit

	Code	Description	Notes
1	252133	GENERAL WIRING	
2	988070	DOOR CONTACT SWITCH	
3	987577	SUPPORT	
4	988328	WIRING SUPPORT	
5	988375	FAN WIRING	
6	988378	KEYPAD AND SENSOR WIRING	
7	987682	SENSOR/FAN WIRING	
8	987680	MAGNET WIRING	
9	987681	DOOR WIRING	
10	987807	HEATING BAR	
11	988325	'L' PLATE	
12	988330	MACHINE BOARD	
13	0V0862	CPU/CONTROL BOARD 'PLUS'	
14	097175	CARD SPACER	
15	095004	EPROM 512K(TO BE PROGRAMMED)	
16	987783	'MDB' WIRING	
17	0V2939	CHIPPER-CHIPKNIP WIRING	
18	099982	1024K-EPROM (TO BE PROGRAMMED)	

Table :07 - Disk lock device

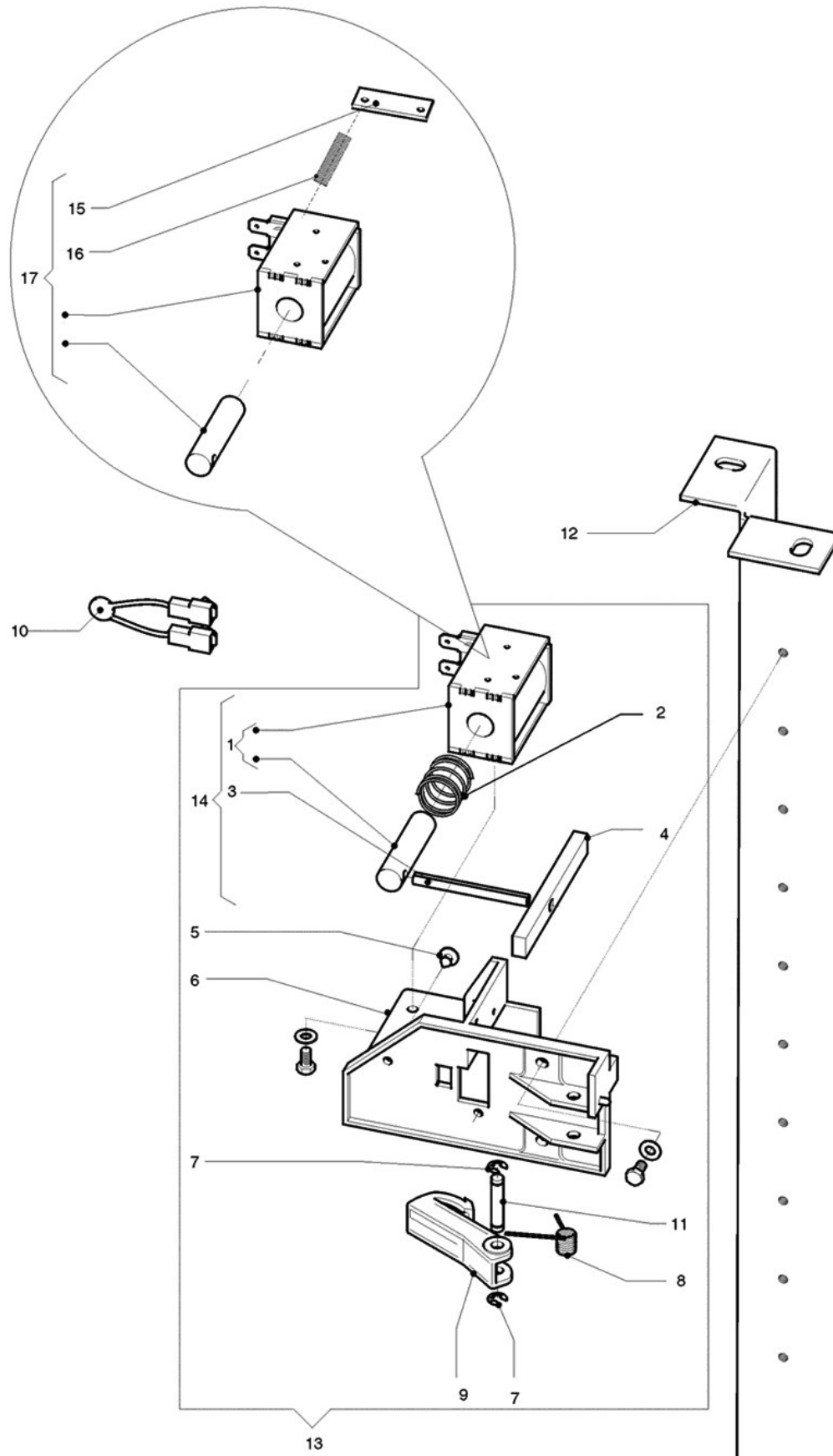


Table :07 - Disk lock device

	Code	Description	Notes
1	987635	SOLENOID 24V AC	
2	0V3140	MAGNET CORE LEVER	
3	099782	ELASTIC PLUG	
4	987705	LOCKING LEDGE	
5	987703	SOCKET PEDESTAL	
6	987704	BEARING OF THE LOCKING MAGNET	
7	091959	BENZING COLLAR DIAM MM4	
8	101077	TWISTING SPRING	
9	987712	BACKRUN SAFETY DEVICE	
10	987648	VARISTOR	
11	101074	PIN	
12	987700	SUPPORT FOR THE LOCKING MAGNET	
13	0V1544	LOCKOUT MAGNET ASSEMBLY	
14	0V1569	VV2000/SMART MAGNET W/CORE+PLUG	
15	987920	PLATE	
16	987919	SPRING	
17	987635	SOLENOID 24V AC	

Table :08 - Door - Internal side

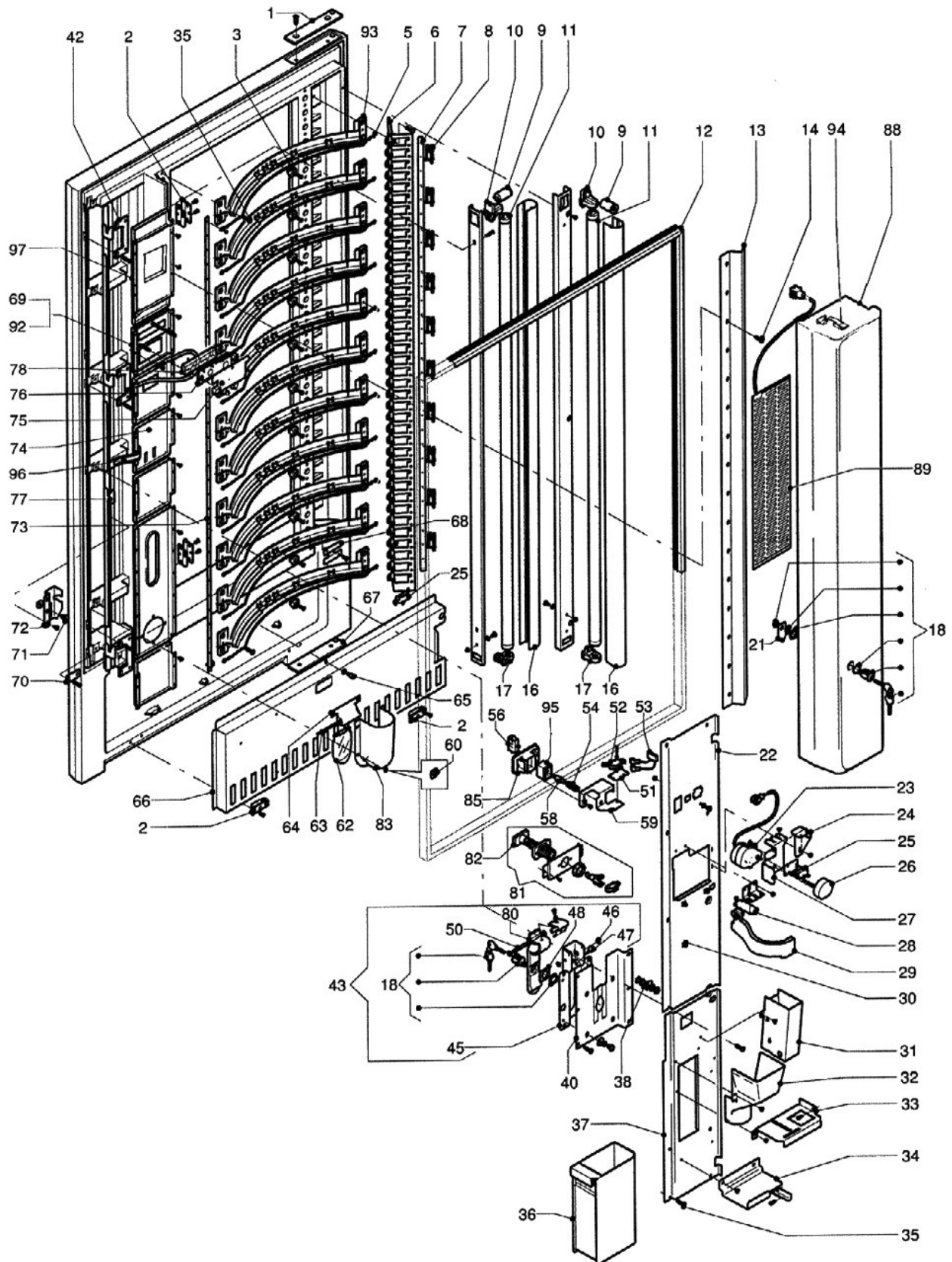


Table :08 - Door - Internal side

	Code	Description	Notes
1	987675	PLATE FOR HINGE	
2	101037	HINGE	
3	987805	LOCKING BLOCK	
5	987802	RESISTANCE WIRE	until serial number 54601340
5	253497	RESISTANCE WIRE (NEW TYPE)	from serial number 54601341
6	987809	BEARING BAR	
7	987811	SWITCH LEDGE	
8	987810	SWITCH LINK	
9	091802	STARTER TYPE S10	
10	987958	LAMP-HOLDER W/STARTER-HOLDER	
11	985532	NEON LIGHT 36 WATT	
12	987722	RUBBER PROFILE	
13	987725	CHECK	
14	987610	EJOT-PT-SCREW 50X16	
16	987689	LAMP PROTECTION	
17	099783	LAMP-HOLDER	
18	0V1156	'RIELDA' LOCK	
21	988353	BOX LATCH	
22	987683	UPPER PLATE	
23	099754	MOTOREDUCER	
24	988361	BRACKET FOR CAM	
25	987669	MICROSWITCH	
26	0V0006	CAM	
27	988362	CAM SUPPORT	
28	988298	CHUTE PLATE	
29	987763	COIN CHANEL	
30	094111	INSULATING DOLLY BLOCK	
31	987790	COIN CHANNEL	
32	987792	RETURN CHANNEL	
33	987793	SUPPORT FOR SAFE UPPER	
34	987794	SUPPORT FOR SAFE LOWER	
35	987667	SCREW 5X20	
36	987779	SAFE	
37	987795	SUPPORT PLATE LOWER	
38	988352	LOCK LATCH	
40	987772	LOCK PLATE	
42	987775	GUIDE BED	
43	988360	'RIELDA' LOCKING DEVICE	
45	987773	CHASSIS	
46	091287	OUTER FIXING COLLAR	
47	092738	WEDGE BUMPER	
48	093908	LOCKING POSITION DISK	

Table :08 - Door - Internal side

	Code	Description	Notes
50	093907	ROTATION PIVOT	
51	090681	INSULATING DISK	
52	987597	MICROSWITCH	
53	096845	FILTER RC 1000HM 0.1MF	
54	987751	SPRING	
56	095890	LUMINOUS INDICATOR ORANGE	
58	987752	RETURN BOLT	
59	988297	MICROSWITCH BRACKET	
60	093829	LEVER LOCK CLIP	
62	093890	MONEY RETURN SHUTTER	
63	093891	SHUTTER PIVOT	
64	097455	MONEY RETURN SHUTTER BRACKET	
65	096977	KNURL	
66	987738	COVER FLAP	
67	987675	PLATE FOR HINGE	
68	987731	BRACKET	
69	0V1555	DISPLAY ELEMENT "BLACK"	
70	987777	GUIDE BED	
71	0V3137	DOOR STOP ROD PIN	
72	987778	LOCKING BAR	
73	987806	CONTACT LEDGE	
74	987814	PUSH-BUTTON SUPPORT	
75	098151	DISPLAY FIXING PLATE	
76	251690	DISPLAY 2X20BLUE	
77	987776	LOCKING LATCH	
78	0V0065	GLASS FOR DISPLAY	
80	988082	HANDLE (BLACK)	
81	987753	SELECTION KEY	
82	099784	PLATE SELECTION KEY	
83	987587	COIN DUCT 'BLACK'	
85	987588	COIN INSERT MOLDING 'BLACK'	
88	987724	COVER	
89	987818	24 VOLT 15 WATT HEATING ELEMENT	
92	987593	CLOSING PIECE (BLACK)	
93	987842	HEATING ELEMENT GUIDE (BLACK)	
94	0V1705	LOCKING DEVICE	
95	0V0835	PUSH-BUTTON 'BLACK'	
96	0V2793	BLACK MEMBRANE-TYPE PUSH-BUTTON PANEL	
97	0V2938	CHIPPER-CHIPKNIP SYSTEM ELEMENT	

Table :09 - Removal lock

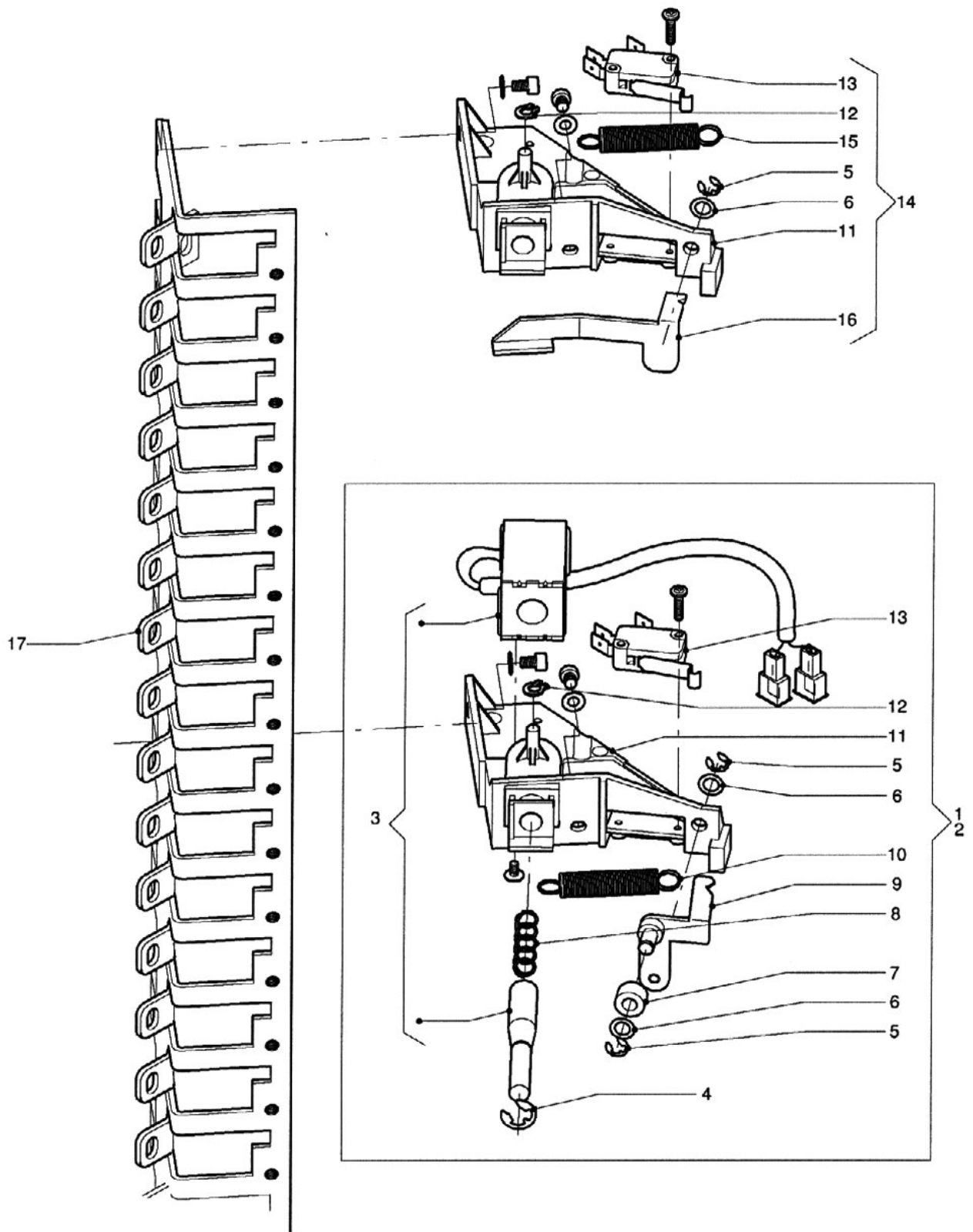


Table :09 - Removal lock

	Code	Description	Notes
1	101141	LOCKING MAGNET MIDDLE COMPLETE	
2	099786	LOCKING MAGNET LOWER COMPLETE	
3	987599	MAGNET	
4	091357	OUTER BENZING COLLAR DIAM MM7	
5	098818	STOPPING RING D.4	
6	987823	WASHER	
7	099788	ROLLER	
8	987751	SPRING	
9	987824	RETURN LEVER COMPLETE	
10	101145	TENSION SPRING	
11	101142	LOCKING DEVICE SUPPORT	
12	987820	LOCKING WASHER	
13	987597	MICROSWITCH	
14	099785	LOCKING MAGNET UPPER COMPLETE	
15	987646	SPRING	
16	987826	LEVER	
17	987809	BEARING BAR	

Table :10 .

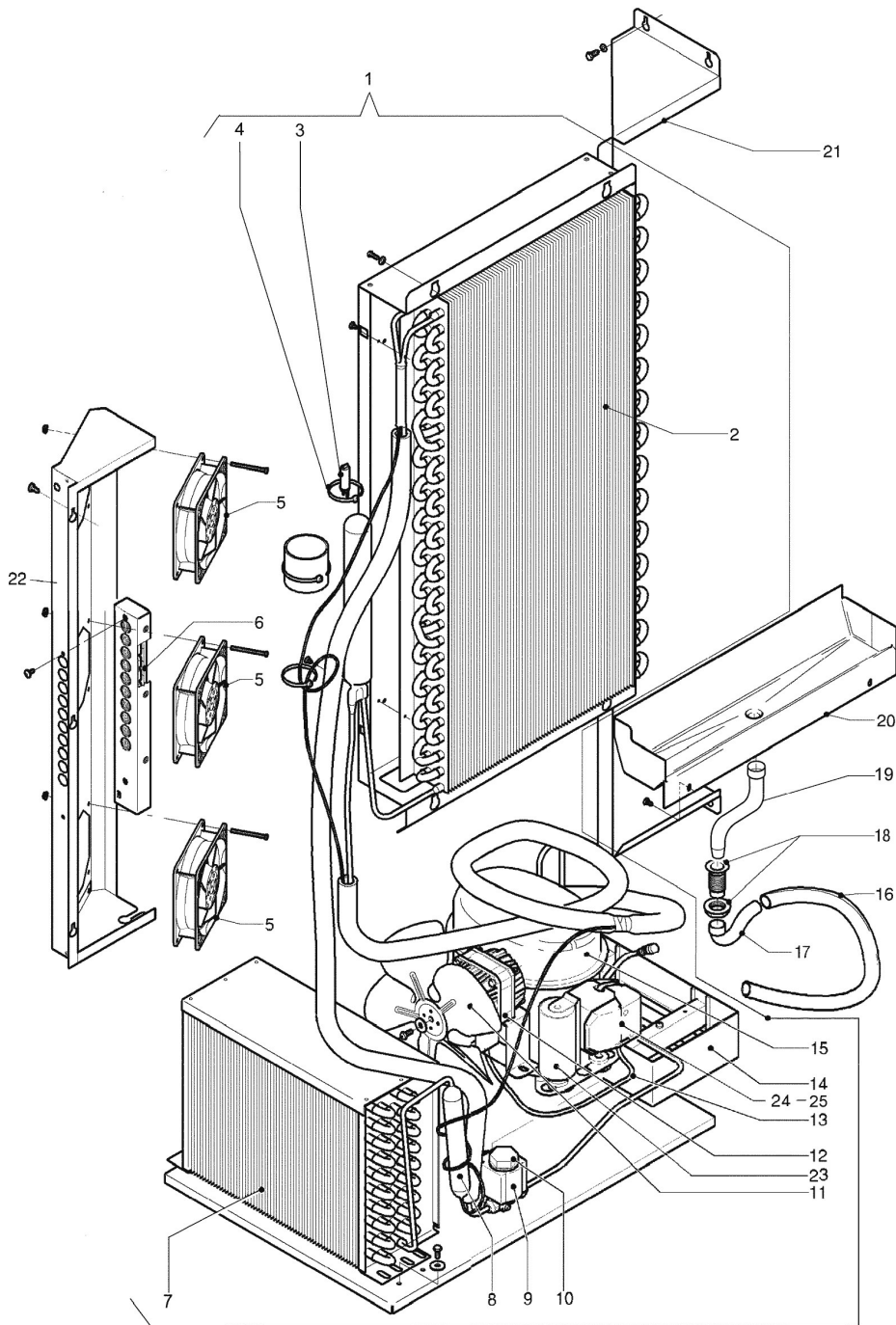


Table :10 - Cooling unit

	Code	Description	Notes
1	250250	COOLING UNIT EMBRACO HOT-GAS	
2	0V1393	EVAPORATOR	
3	986060	ELECTRONIC SENSOR K277	
4	090148	CLIP	
5	987828	FAN	
6	987983	KEY FOR REFILLING	
7	0V1391	CONDENSER	
8	987293	FILTER 40 GR.	
9	0V1442	HOT-GAS ELECTROVALVE SOLENOID	
10	0V1441	HOT GAS ELECTROVALVE	
11	987985	230-340 FAN	
12	254807	ELECTRIC FAN 16WATT 50/60HZ	
13	987819	COMPRESSOR WIRING	
14	0V0731	EVAPORATOR TRAY	
15	250386	COMPRESSOR EMBRACO KIT -SMART-	
16	098719	PVC PIPE 14X19(A METER)	
17	987853	SIPHON	
18	987852	TUBE WITH NUT	
19	987817	WATER DRAIN PIPE	
20	987816	EVAPORATOR TRAY	
21	987813	AIR BAFFLE	
22	987569	COOLING FANS SUPPORT	
23	0V1777	CAPACITOR STARTER 72/88MF	
24	0V1778	STARTING RELAY COMPRESSOR	
25	0V1779	THERMOPROTECTOR COMPRESSOR	