

Table :01 - Door

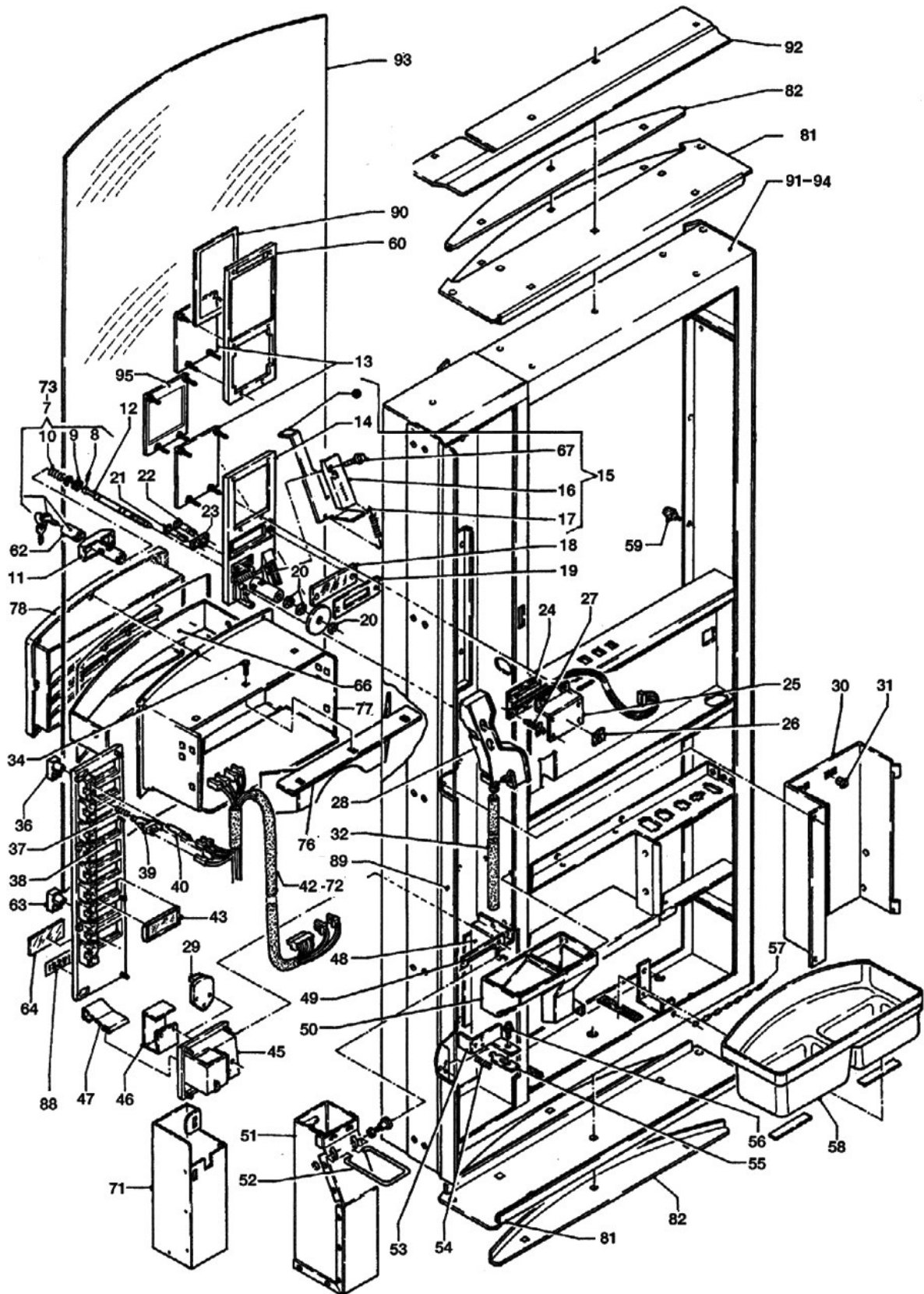


Table :01 - Door

	Code	Description	Notes
7	0V1602	LOCK ASSY.	
8	986794	PLUG FOR LOCK	
9	986795	HEXAGONAL WASHER FOR LOCK	
10	986796	SPRING FOR LOCK	
11	986805	HANDLE	
12	0V2704	LOCK PIN	
13	987369	CHROMED PLATE	
14	986803	COIN-INTRODUCTION-PLATE	
15	986776	COIN-RETURN LEVER	
16	0V1851	LEVER FIXING BRACKET	
17	0V1852	SPRING	
18	986481	RED DISPLAY PLATE	
19	986817	EXE TEMPLATE FOR DISPLAY	
20	098819	STOPPING RING D.9	
21	986443	GREEN LIGHT	
22	986444	ORANGE LIGHT	
23	986641	LAMP HOLDER FOR INTRODUCTION PLATE	
24	985913	EXECUTIVE CARD DISPLAY	
25	986775	DISPLAY SUPPORT EXE	
26	094989	SELF-STICKING FIXING	
27	985526	SPACER FOR DISPLAY	
28	986475	COINS SLIDE	
29	985178	BOTTLE-OPENER	
30	0V1471	REVOLVING SUPPORT	
31	094111	INSULATING DOLLY BLOCK	
32	098800	TRANSPARENT HOSE (PER METER)	
34	986613	SCREW M5X15	
36	987360	SELECTION BUTTON	
37	093870	BUTTON SPRING	
38	0V1949	9-SELECTION PUSH-BUTTON PLATE	
39	986927	PUSH-BUTTON	
40	986930	LIGHT	
42	0V1478	9-SELECTION PUSH-BUTTON WIRING	
43	987359	TAG CLASS	
45	0V1944	COIN RETURN PLATE	
46	0V1943	HOLE SQUARE PIECE	
47	0V1727	COIN RETURN PLATE	
48	0V1462	CASHBOX SUPPORT	
49	986765	PLATE-BLOCKING-BRACKET	
50	0V1475	COIN RETURN CHUTE	
51	0V2761	BIG COIN BOX - ZETA	
52	987212	CASHBOX HANDLE	

Table :01 - Door

	Code	Description	Notes
53	0V1476	CONTROL SQUARE	
54	093978	SPRING FOR ACTUATOR	
55	0V1673	MICROSWITCH CONTROL LEVER	
56	090615	COLLAR SCREW	
57	985608	LOCK CHAIN DOOR	
58	0V1915	TRAY	
59	093823	NOZZLE FASTENER DOLLY BLOCK	
60	0V1945	FRAME	
62	987352	LOCK RIELDA 4000 AE045C	
63	0V2350	PUSH BUTTON	
64	0V2351	LABEL COVER	
66	0V2923	DAMPER BEARING	
67	0V1853	SCREW WITH COLLAR	
71	987226	PLUG BOX	
72	0V1973	8-SELECTION PUSH-BUTTON WIRING	
73	0V1957	LOCK ASSEMBL. 'RIELDA'	
76	0V2383	OUTLET ANTI-THEFT 'BLACK'	
77	0V2389	MOLDING SUPPORT 'BLACK'	
78	0V2390	OUTLET MOLDING 'BLACK'	
81	0V2393	DOOR HEAD 'BLACK'	
82	0V2394	DOOR HEAD PROFILE 'BLACK'	
88	0V2782	LOGO PLATE (FM)	
89	0V2835	WHITE DOOR RH ARMOR PLATING	
90	0V2839	BLACK LABEL HOLDER	
91	0V2842	DOOR FRAME - CB 550	
92	0V2836	WHITE DOOR UPPER ARMOR PLATING 550	
93	0V2838	ADVERTISING PANEL - CB 550	
94	0V2929	DOOR FRAME - CB 550 DECS	
95	0V2928	CHIPPER-CHIPKNIP SYSTEM ELEMENT	

Table :02 - Counter-door

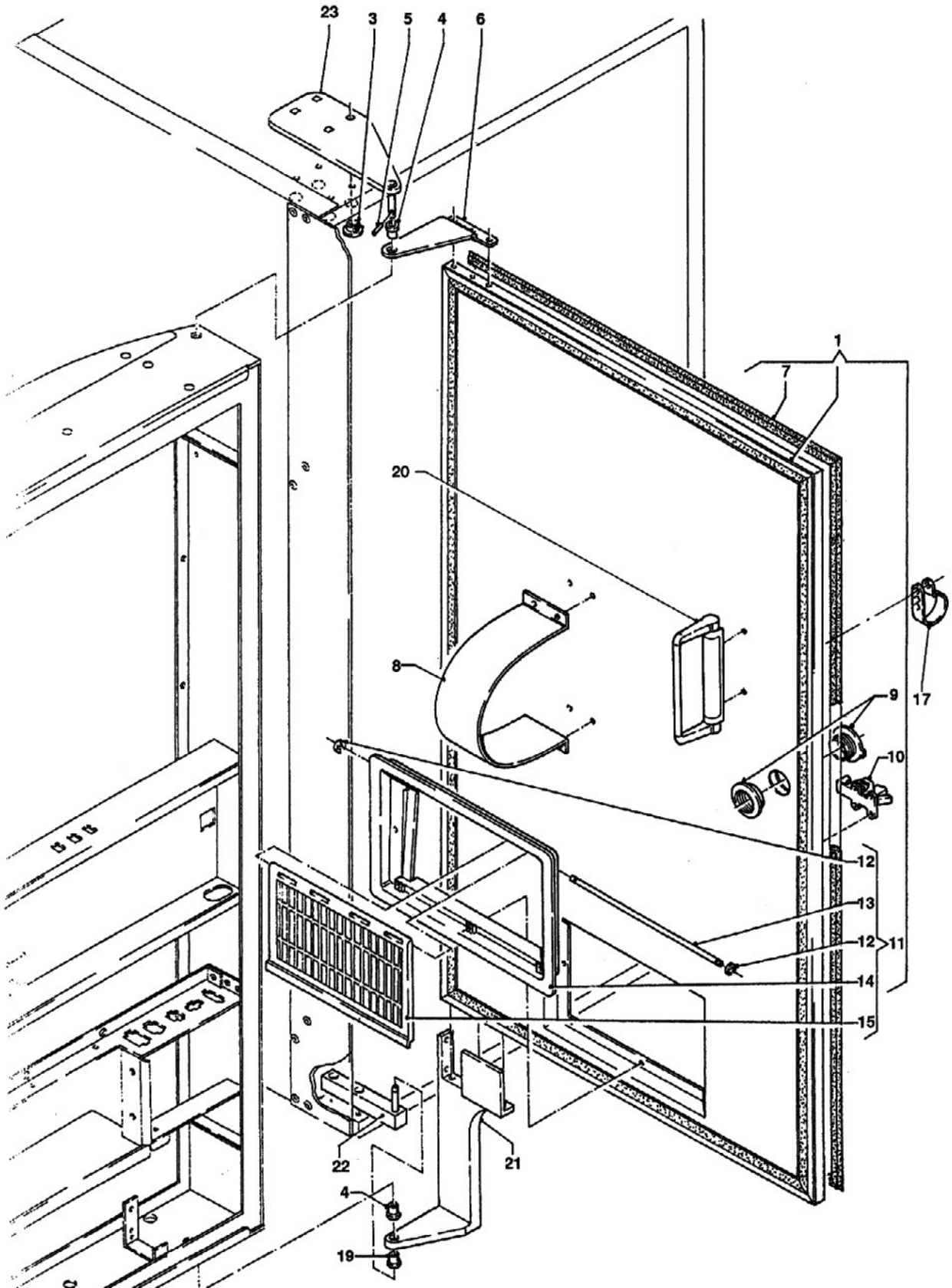


Table :02 - Counter-door

	Code	Description	Notes
1	0V1483	SCREEN-DOOR	
3	988313	STOPPER	
4	0V1482	BUSHING	
5	096995	ELASTIC PLUG	
6	0V1486	UPPER SCREEN-DOOR HINGE	
7	0V1485	SCREEN-DOOR SEAL	
8	0V1601	ANTI-BREAKING PROTECTION	
9	986000	BUSH	
10	0V1728	DOOR FRAME CONNECTION ELEMENT	
11	0V1484	MOLDING WITH PLATE	
12	091842	OUTER FIXING COLLAR D.2.3	
13	985141	PIN ISOLATING DOOR BLADE	
14	986880	SUPPORT FRAME	
15	986879	SUPPORT	
17	985604	NYLON COLLAR	
19	0V1488	HINGE BUSH	
20	987216	HANDLE	
21	0V2385	LOWER SCREEN-DOOR HINGE 'BLACK'	
22	0V1894	DOOR LOWER HINGE	
23	0V1722	UPPER HINGE	

Table :03 - Cabinet assv

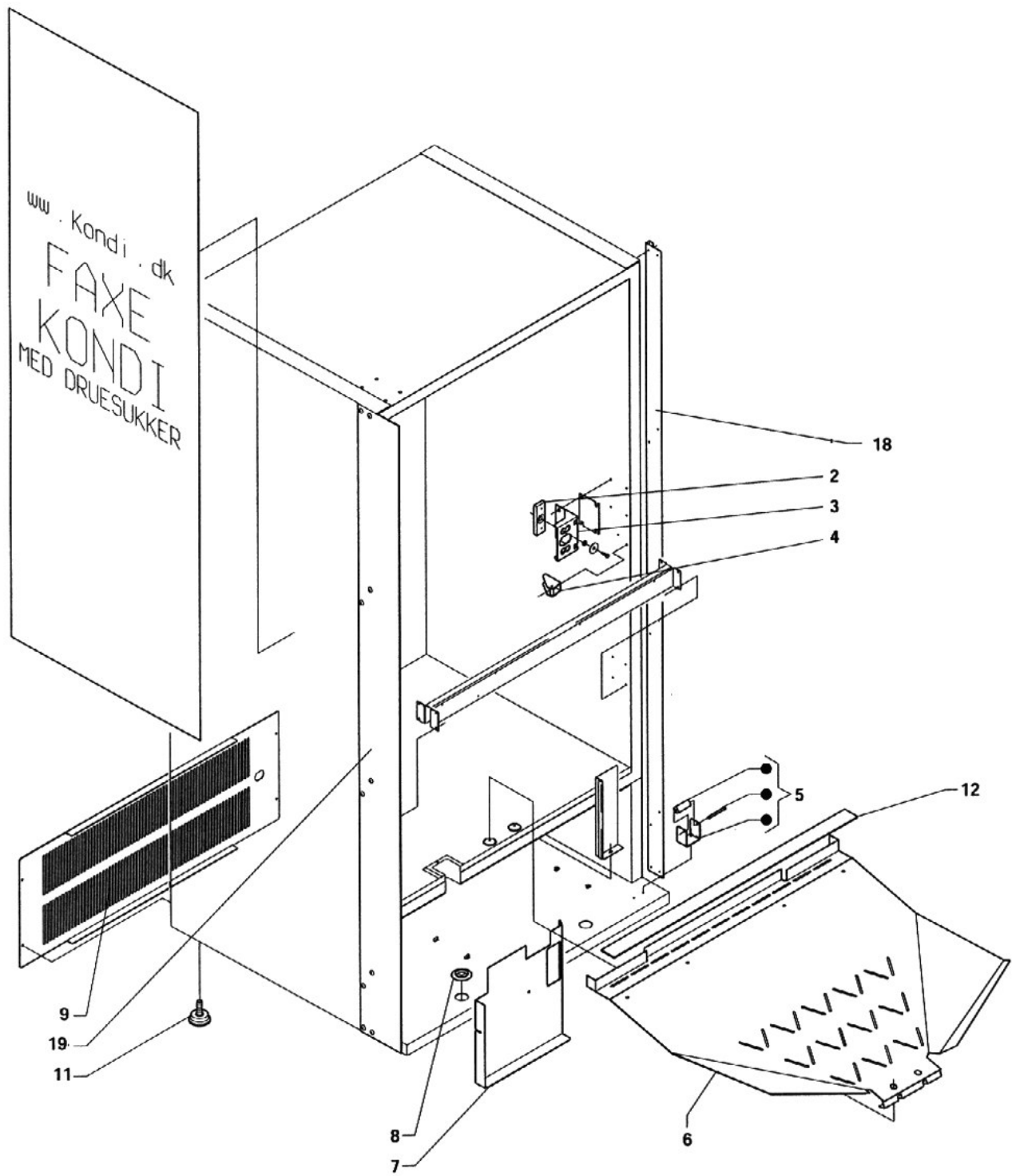


Table :03 - Cabinet assy

	Code	Description	Notes
2	0V2705	THREADED DISC	
3	0V1446	LOCK SECURING SUPPORT	
4	0V1729	HOOK	
5	0V1445	DOOR ROLLER	
6	0V1450	CHUTE	
7	0V1528	ELECTRICAL PANEL COVER	
8	987149	PLUG	
9	0V1527	COVER GRID	
11	252124	4 FEET KIT	
12	0V1772	CHUTE PAD	
18	0V2833	WHITE CABINET RH ARMOR PLATING	
19	0V2834	WHITE CABINET LH ARMOR PLATING	

Table :04 - Electric circuit

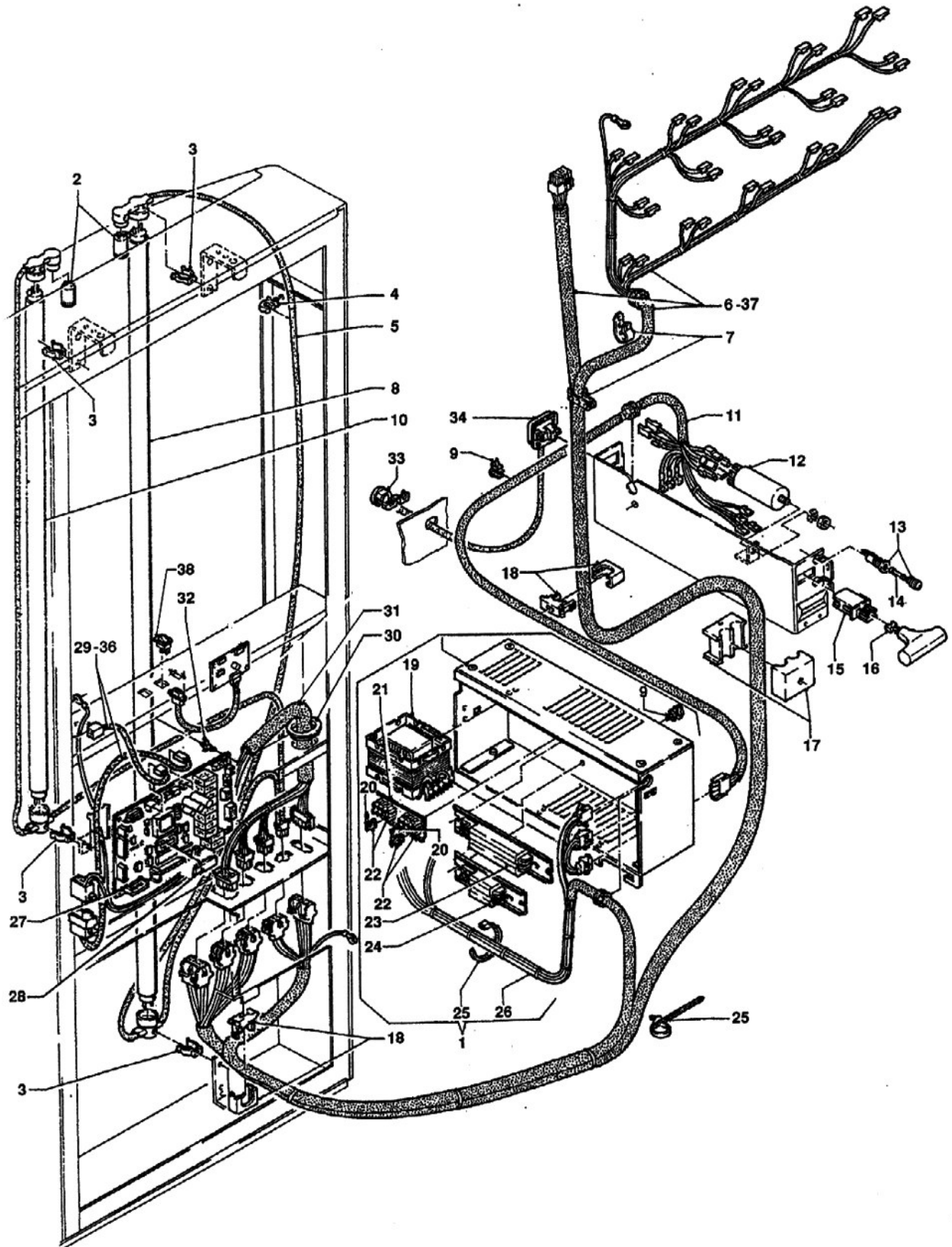


Table :04 - Electric circuit

	Code	Description	Notes
1	0V1451	ELECTRICAL PANEL	
2	091802	STARTER TYPE S10	
3	098337	LAMP-HOLDER HOOKS	
4	098165	WIRE-FIXING	
5	0V1477	LAMP WIRING	
6	0V1509	TOBOGGAN SLIDE WIRING	
7	091420	ADJUSTABLE COLLAR	
8	985531	NEON LIGHT 58 WATT	
9	098166	WIRE-FIXING	
10	0V1575	30W L=970 MM LAMP	
11	0V1455	SWITCH WIRING	
12	985034	ANTIDISTURB FILTER	
13	0V3201	FUSE HOLDER	
14	097489	FUSE 250V-10A DELAYED ACTION	
15	097796	SWITCH	
16	0V1654	SWITCH KEY	
17	0V1443	CABLES LOCK	
18	986813	OBO WIRECLIP	
19	0V1452	TRANSFORMER	
20	097097	FUSE 2 AMP.5X20 DELAYED ACT	
21	097242	SUB-TERMINAL BOARD	
22	097241	3-POLE TERMINAL BOARD W/CARRIER	
23	987368	58-65WATT BALLAST	
24	987367	36-40WATT BALLAST	
25	090148	CLIP	
26	0V1453	ELECTRICAL PANEL WIRING	
27	0V3633	BISTANDARD BOARD	
28	095003	EPROM 256 K (TO BE PROGRAMMED	
29	0V1479	EXECUTIVE CONNECTION WIRING	
30	093916	WHIPPING OVAL	
31	0V1480	DOOR WIRING	
32	985085	CLIP FOR PRINTED CIRCUIT	
33	097851	CABLE FASTENING	
34	098796	TERMINAL BOARD	
36	0V0937	BDV WIRING	
37	0V1974	CARRIAGE-WIRING (8 SELECTIONS)	
38	098214	SWITCH	

Table :05 - Trolley

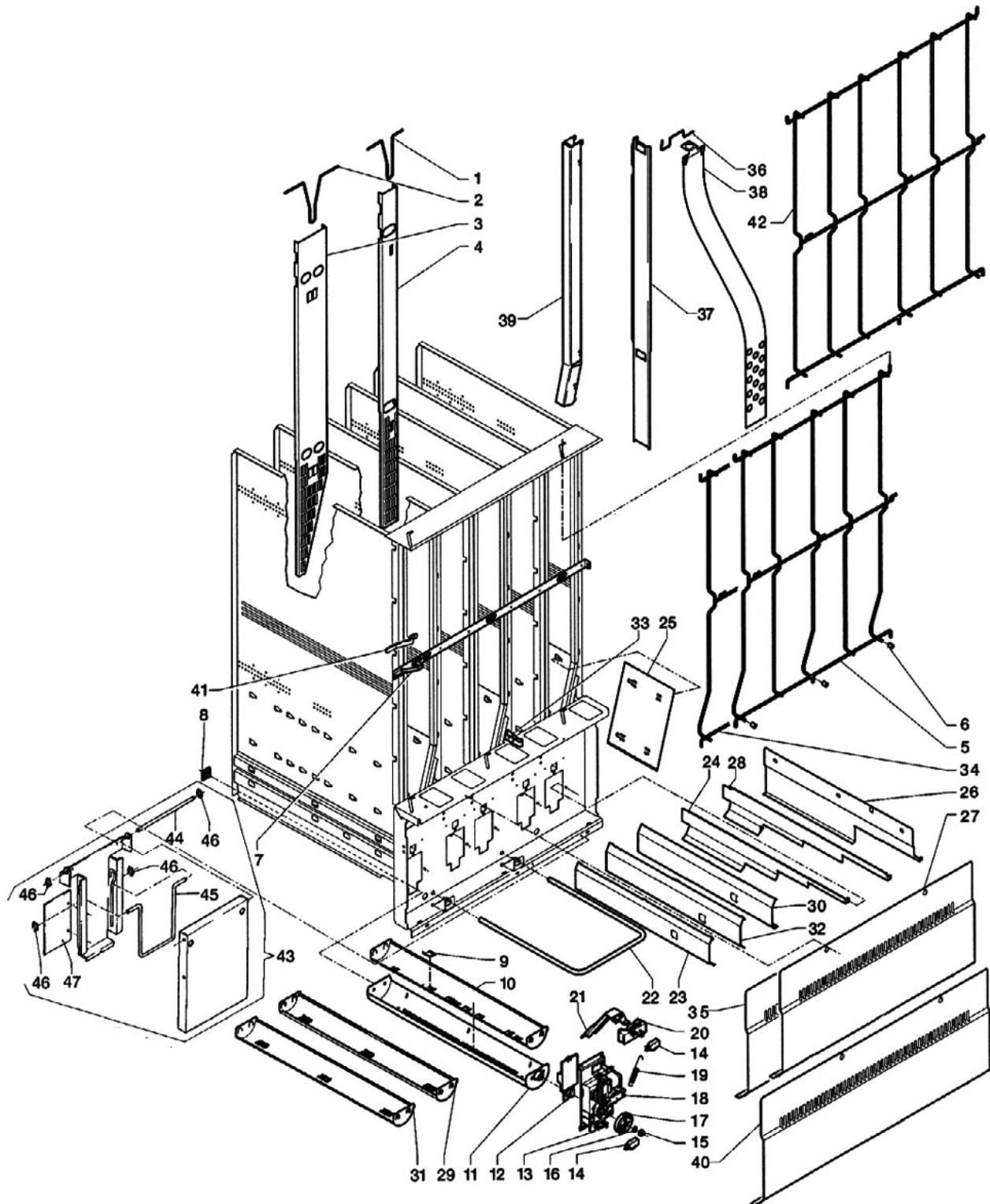


Table :05 - Trolley

	Code	Description	Notes
1	0V1492	SINGLE BACKCOLUMN SPRING	
2	0V1490	DOUBLE BACKCOLUMN SPRING	
3	0V1489	DOUBLE BACKCOLUMN	
4	0V1491	SINGLE BACKCOLUMN	
5	0V1501	GATE - 3 DOUBLE/2 SINGLE	
6	0V1503	BUSH	
7	0V1502	GATE STOP SPRING	
8	985822	POST. BUSH CARRIAGE ROTOR	
9	0V1497	ROTOR ANTI-THEFT	
10	0V1496	ROTOR INSERT DIAM. 65-66-67	
11	0V1495	SLIDE ROTOR	
12	0V1500	BUSH WITH DEVIATOR	
13	0V1655	LIMIT SWITCH SUPPORT	
14	985834	MICROSWITCH	
15	985318	NUT	
16	093470	FLAT WASHER MM 6.4	
17	0V1494	MICROSWITCH CONTROL CAM	
18	0V1493	GEARMOTOR	
19	0V1506	RETURN SPRING	
20	985460	BLADE-SUPPORT	
21	0V1505	EMPTY/FULL PLATE	
22	0V1504	CASE SUPPORT PIPE	
23	0V1507	SHIM DIAM. 65-66-67	
24	0V1498	CAN PLATE 0.25 LT	
25	0V1508	ANTIFRICTION ELEMENT	
26	0V1499	SHIM PLATE 0.5 LT	
27	0V1529	SLIDE COVER	
28	0V1743	CAN PLATE 0.33/0.35	
29	0V1744	ROTOR INSERT DIAM. 62-63-64	
30	0V1745	SHIM DIAM. 62-63-64	
31	0V1746	ROTOR INSERT DIAM. 68-69-70	
32	0V1747	SHIM DIAM. 68-69-70	
33	0V1769	OPEN GATE STOP SPRING	
34	0V1764	GATE - 4 DOUBLE/2SINGLE	
35	0V1776	SLIDE CASING 4 DOUBLE/2 SINGLE	
36	0V1770	STRIP SUPPORT SPRING	
37	0V1768	SINGLE COLUMN GUIDE	
38	0V1773	PRODUCT SEPARATOR STRIP	
39	0V1774	CONE-SHAPED BOTTLE GUIDE	
40	0V1968	SLIDE COVER 8 SINGLE	
41	0V2362	GATE STOP SPRING	
42	0V2360	GATE FOR 8 SINGLE COLUMNS - Z550	

Table :05 - Trolley

	Code	Description	Notes
43	0V1975	COMPLET DROP-LEAF	
44	0V1971	PIN	
45	0V1970	DROP-LEAF SUPPORT	
46	987948	LOCKING WASHER	
47	0V1972	DROP-LEAF PROTECTION	

Table :06 - Torna

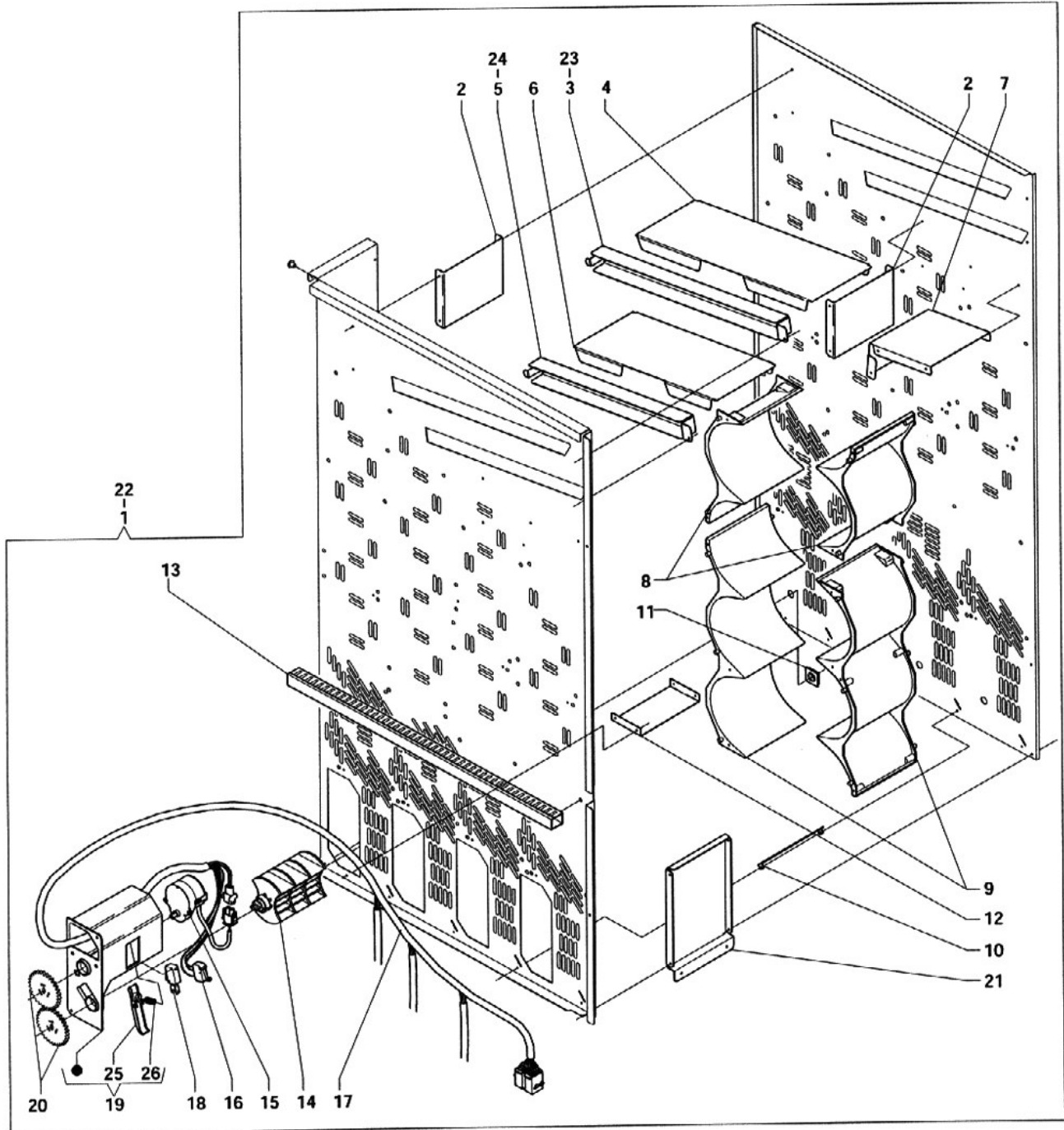


Table :06 - Toboga

	Code	Description	Notes
1	0V1510	TOBOGGAN COLUMN 25CL	
2	0V1511	VERTICAL GUIDE	
3	0V1523	LONG SPACER CAN 25CL	
4	0V1521	LONG GUIDE	
5	0V1524	SHORT SPACER CAN 25CL	
6	0V1522	MEDIUM GUIDE	
7	0V1512	SHORT GUIDE	
8	0V1520	SHORT RACE	
9	0V1519	LONG RACE	
10	0V1514	CAN DEVIATION DEVICE	
11	985822	POST. BUSH CARRIAGE ROTOR	
12	0V1513	CROSS-PIECE	
13	0V1525	CHANNEL	
14	0V1518	TOBOGGAN ROTOR	
15	0V1516	GEARMOTOR	
16	096355	MICRO SWITCH -UL -	
17	0V1526	TOBOGGAN WIRING	
18	092439	MICRO TYPE 'CHERRY'	
19	0V1515	TOBOGGAN MECHANISM SUPPORT	
20	0V1517	TOBOGGAN PIGNON	
21	0V1730	FRONT LOCK	
22	0V1782	TOBOGGAN COLUMN 33CL	
23	0V1780	LONG SPACER CAN 33CL	
24	0V1781	SHORT SPACER CAN 33CL	
25	0V1946	SPRING	
26	0V1948	EMBTY CONDITION LEVER	

Table :07 - Cooling unit

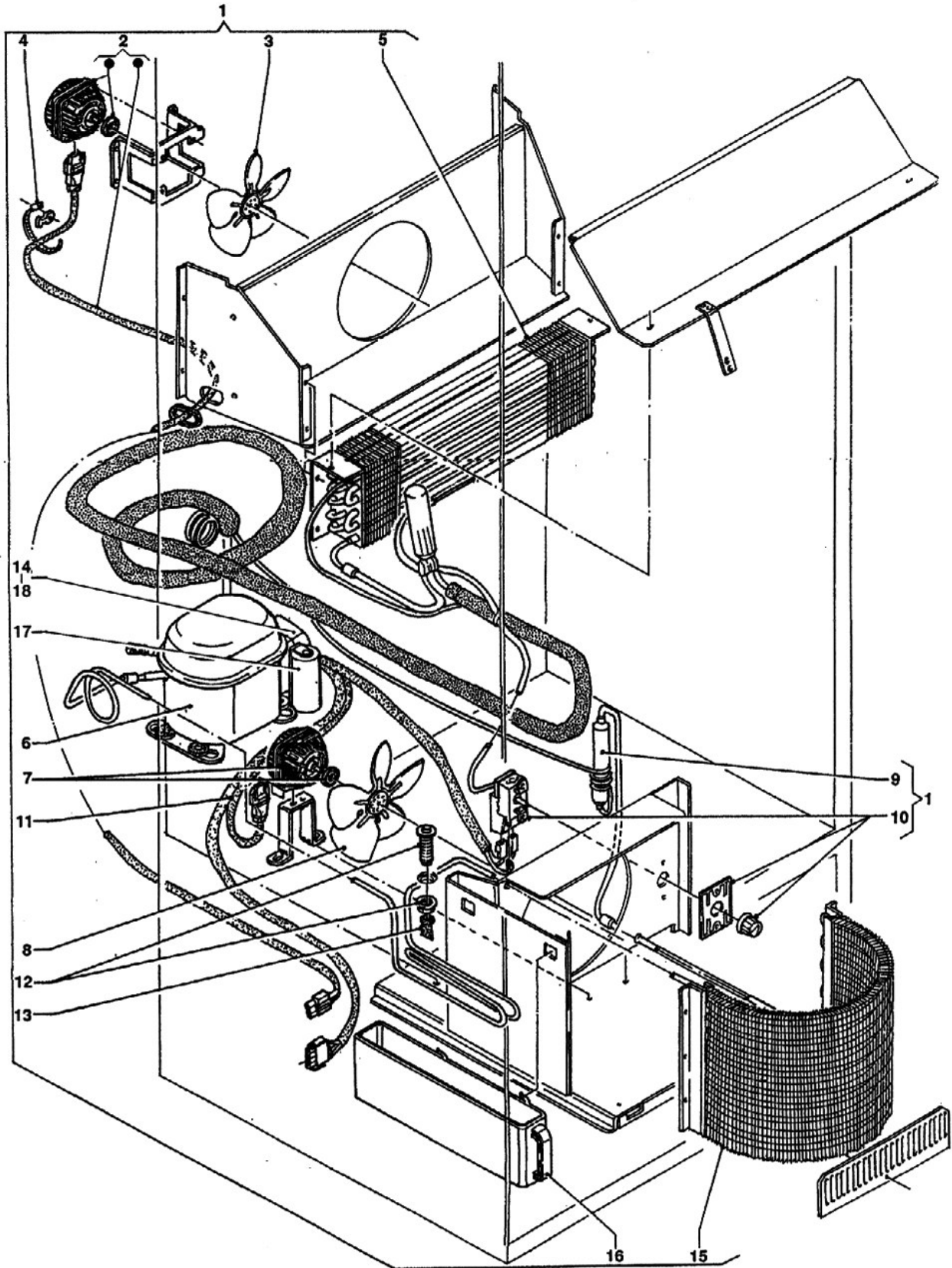


Table :07 - Cooling unit

	Code	Description	Notes
1	0V1456	COOLING UNIT -Z-	
2	0V1893	ELECTRIC FAN	
3	0V3517	200x34 FAN	
4	090148	CLIP	
5	0V1532	EVAPORATOR	
6	986933	COMPRESSOR GP 14 TB R134	
7	0V1392	ELECTRIC FAN	
8	987985	230-340 FAN	
9	987293	FILTER 40 GR.	
10	0V1533	K50-L3361 THERMOSTAT	
11	0V1457	COOLING UNIT WIRING	
12	987982	TUBE	
13	0V0346	DRAIN TUBE	
14	0V1779	THERMOPROTECTOR COMPRESSOR	
15	0V1531	BENT CONDENSER	
16	0V1459	WATER COLLECTION TRAY	
17	985075	CAPACITOR	
18	985074	STARTING RELAY COMPRESSOR	

Table :08 - Electrical junction box and connectors

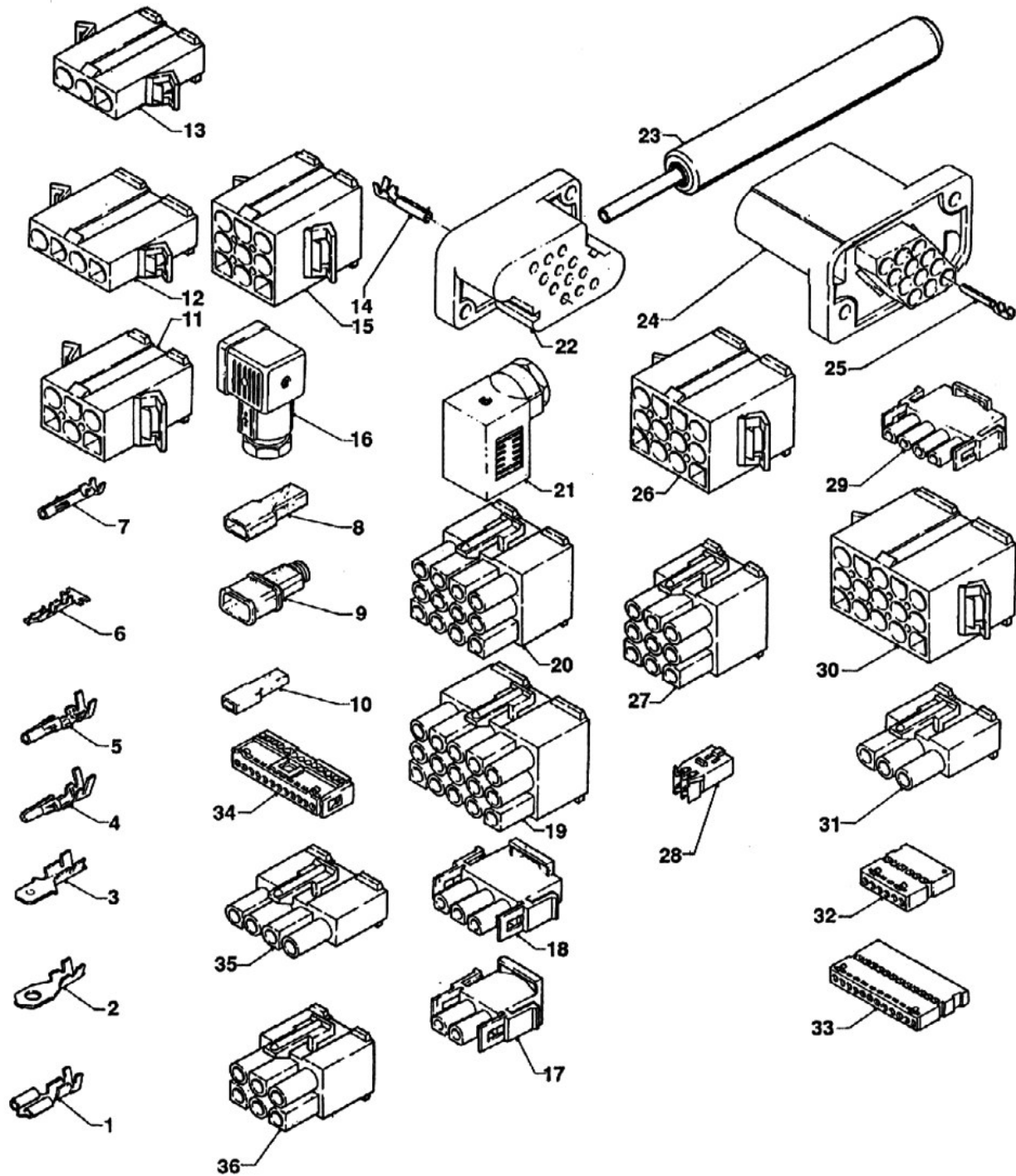


Table :08 - Electrical junction box and connectors

	Code	Description	Notes
1	090959	FASTON W/O TONGUE	
2	090957	EYELET TERMINAL	
3	091159	TERMINAL FASTON MALE BRASS	
4	095955	TERMINAL MALE	
5	096136	TERMINAL FEMALE	
6	094405	TERMINAL FEMALE 2.5	
7	094956	TERMIONAL FEMALE	
8	090247	FEMALE FASTON COVER	
9	091192	FASTON COVER	
10	094957	FEMALE FASTON COVER	
11	0V0810	6-PIN CONNECTOR/P MOLEX 3191	
12	0V0809	4-PIN CONNECTOR/P MOLEX 3191	
13	0V0808	3-PIN CONNECTOR/P MOLEX 3191	
14	098902	TERMINAL FEMALE	
15	0V0811	9-PIN CONNECTOR/P MOLEX 3191	
16	096549	CONNECTOR	
17	094955	FEMALE HOLDER CONNECTOR 2-WAYS	
18	094954	FEMALE HOLDER CONNECTOR 3-WAYS	
19	0V0819	15-PIN CONNECTOR/P MOLEX 3191	
20	0V0818	12-PIN CONNECTOR/P MOLEX 3191	
21	098061	CONNECTOR MPM FOR COUNTER	
22	098901	FEMALE HOLDER CONNECTOR 12 WAYS	
23	0V0820	MOLEX CONTACT PULLER	
24	098899	MALE HOLDER CONNECTOR 12 WAYS	
25	098900	MALE PIN	
26	0V0812	12-PIN CONNECTOR/P MOLEX 3191	
27	0V0817	9-PIN CONNECTOR/P MOLEX 3191	
28	094953	FEMALE HOLDER CONNECTOR 2-WAYS MM 2.5	
29	098062	4-WAY CONNECTOR MATE-N-LOK AMP	
30	0V0813	15-PIN CONNECTOR/P MOLEX 3191	
31	0V0814	3-PIN CONNECTOR/P MOLEX 3191	
32	094712	FEMALE HOLDER CONNECTOR STOKO 6-WAY	
33	094404	FEMALE HOLDER CONNECTOR 12-WAYS 2.5	
34	094961	FEMALE HOLDER CONNECTOR P.I. 12-W	
35	0V0815	4-PIN CONNECTOR/P MOLEX 3191	
36	0V0816	6-PIN CONNECTOR/P MOLEX 3191	