

Table :01 - Door + Poster Frame

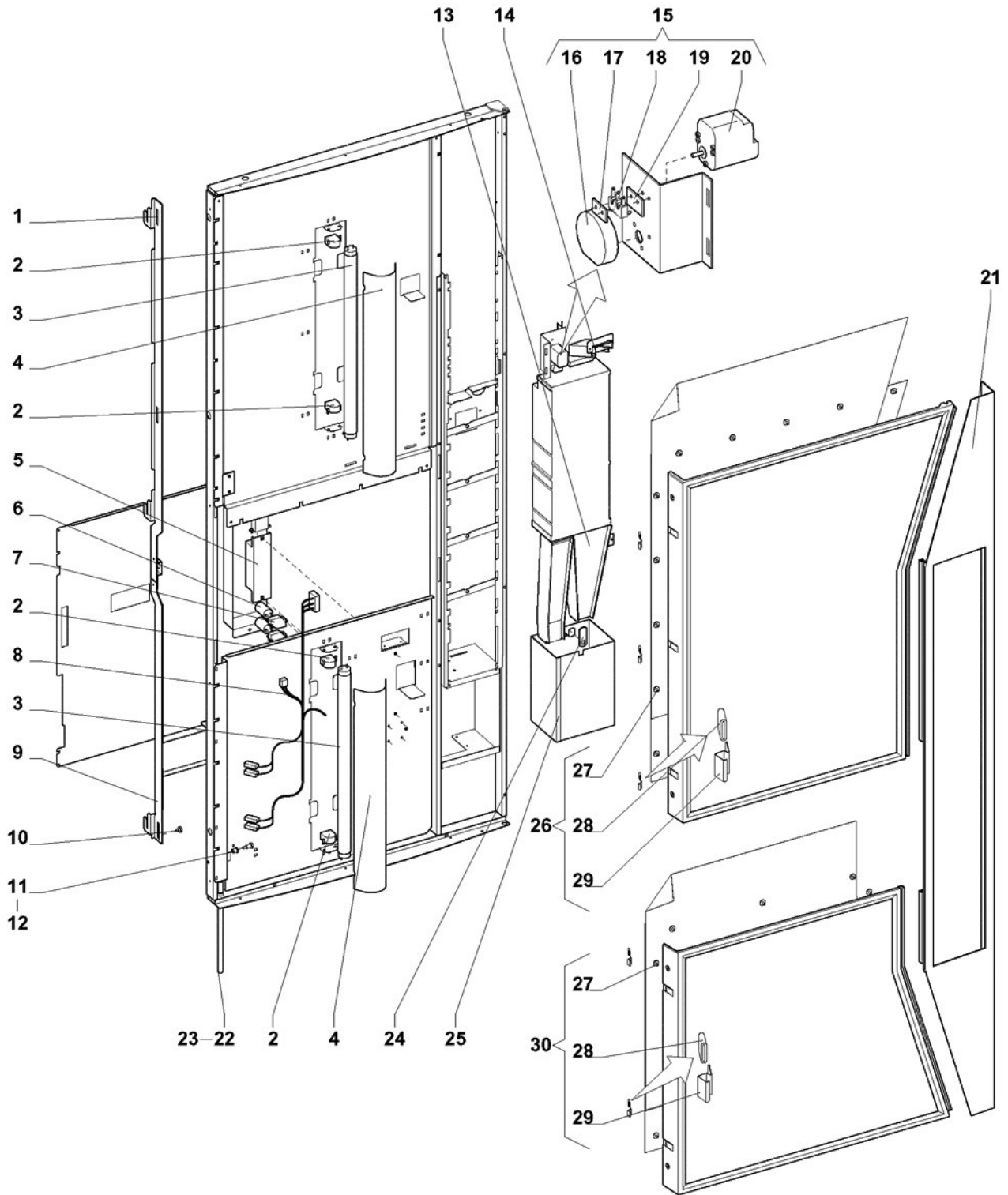


Table :01 - Door + Poster Frame

	Code	Description	Notes
1	30953900	UPPER LOCKING RAIL	
2	41704300	SOCKET F. FLUORESCENT TUBE	
3	41701415	FLUORESCENT TUBE 15W	
4	30959400	COVER FOR FLUORESCENT TUBE	
5	41703330	CHOKE COIL	
6	41700401	STARTER	
7	41705200	SOCKET F. STARTER	
8	42387200	HARNES, DOOR LIGHT	
9	30950100	LOWER LOCKING GUIDE	
10	00001034	COLLAR SCREW M4	
11	00005031	BUSHING WITH COLLAR	
12	09004025	SCREW M5X16	
13	30965000	COIN CHUTE	
14	30965800	COIN INSERT CHUTE	
16	39461800	ECCENTRIC	
17	30448800	THREADING PIECE	
18	41308800	MICRO SWITCH, SMALL	
19	14262700	INSULATION F. SWITCH	
20	41534000	MOTOR F COIN-RETURN MECHANISM	
21	39275900	ALU PROFILE	
22	31004600	SUPPORT FOR DOOR	
23	09083250	NUT M10	
24	30461400	LOCKING LATCH F CASH BOX	
25	30962400	CASH BOX	
26	30954600S	UPPER POSTER FRAME, MOUNT.	
27	39720000	PLUG F POSTER FRAME	
28	35021401	CAP PVC, GREEN	
29	75813400	KIT, 5 X SPRING + CAP GREEN	
30	30954700S	LOWER POSTER FRAME, MOUNT.	

Table :02 - Selection Module

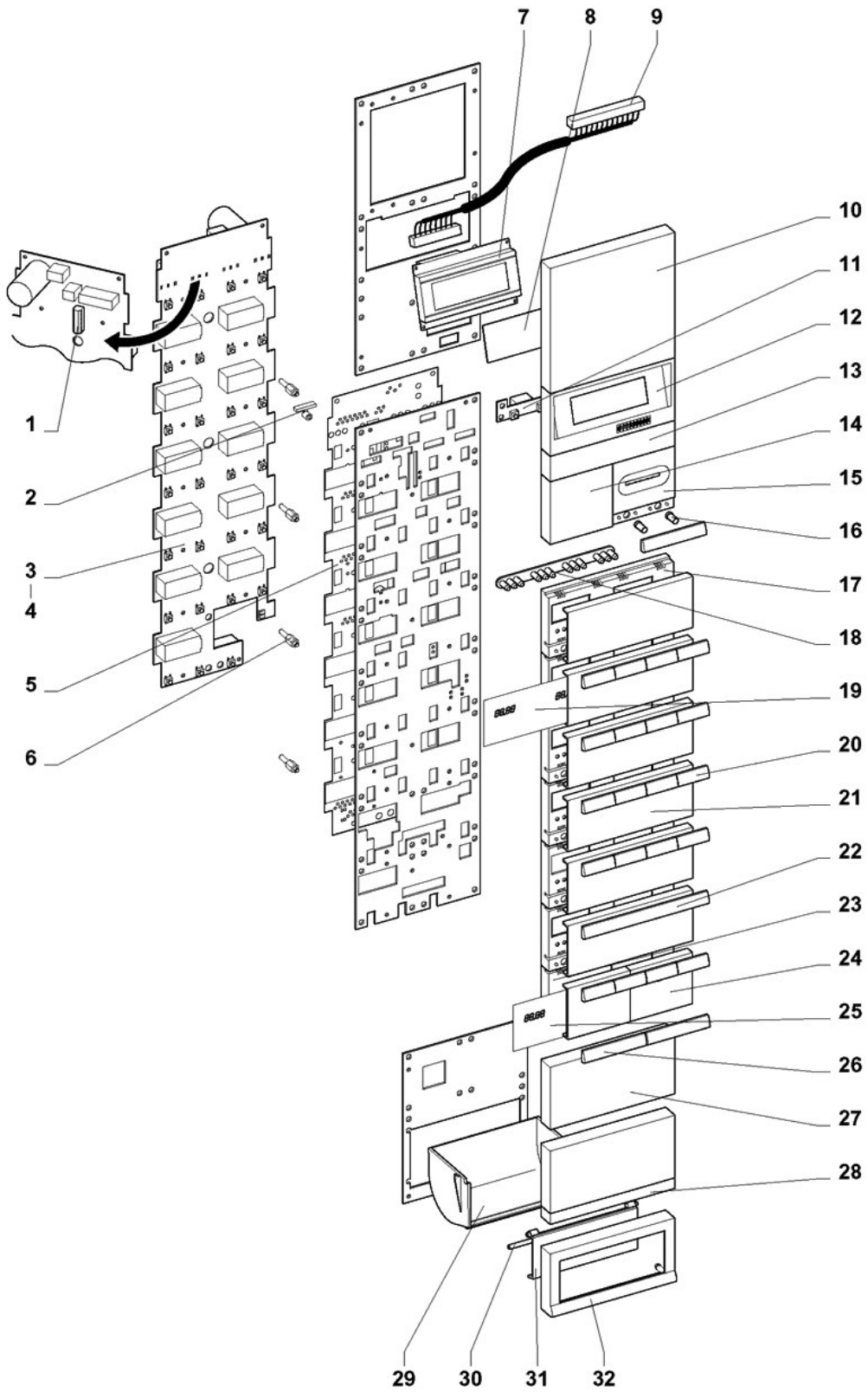


Table :02 - Selection Module

	Code	Description	Notes
1	48002003	SPC PROGRAM	
2	39599300	SPRING	
3	47124800	CIRCUIT BOARD	
4	48840300	FIXTURE FOR CIRCUIT BOARD	
5	39701600	FOIL FOR SPC	
6	31001200	STAYBOLT F SELECTION PANEL	
7	48560600	LCD DISPLAY	
8	39599800	GLASS FOR DISPLAY	
9	42385700	HARNES, DISPLAY	
10	39595200	BLANKING MODULE, FULL WIDTH	
11	47125400	RETURN CIRCUIT BOARD	
12	39595500	HOLDER FOR DISPLAY	
13	39596100	DISTANCE PIECE, UPPER	
14	39595400	BLANKING MODULE, QUARTER WIDTH	
15	39753500	COIN INSERT	
16	39716800	FASTENER	
17	39595800	BASE MODULE	
18	39599200	LIGHT GUIDE	
19	77439801S	PRICE SIGN 88,88 LARGE	
20	39596700	PUSH BUTTON, QUARTER SIZE	
21	39595900	HOLDER F LABEL, LARGE	
22	75816300	3 PCS PUSH BUTTONS, FULL SIZE	
23	39597200	BASE MODULE, HALF SIZE	
24	39596000	HOLDER F LABEL, SMALL	
25	77439802S	PRICE SIGN 88,88 SMALL	
26	75816200	10 PCS PUSH BUTTONS, HALF	
27	39595300	BLANKING MODULE HALF WIDTH	
28	39596200	DISTANCE PIECE, LOWER	
29	39596600	COIN RETURN CUP	
30	39283700	COUNTER WEIGHT F FLAP, LARGE	
31	39753600	FLAP F COIN RETURN CUP, LARGE	
32	39596400	FRAME F COIN RETURN CUP, LARGE	

Table :03 - Gun Dispenser

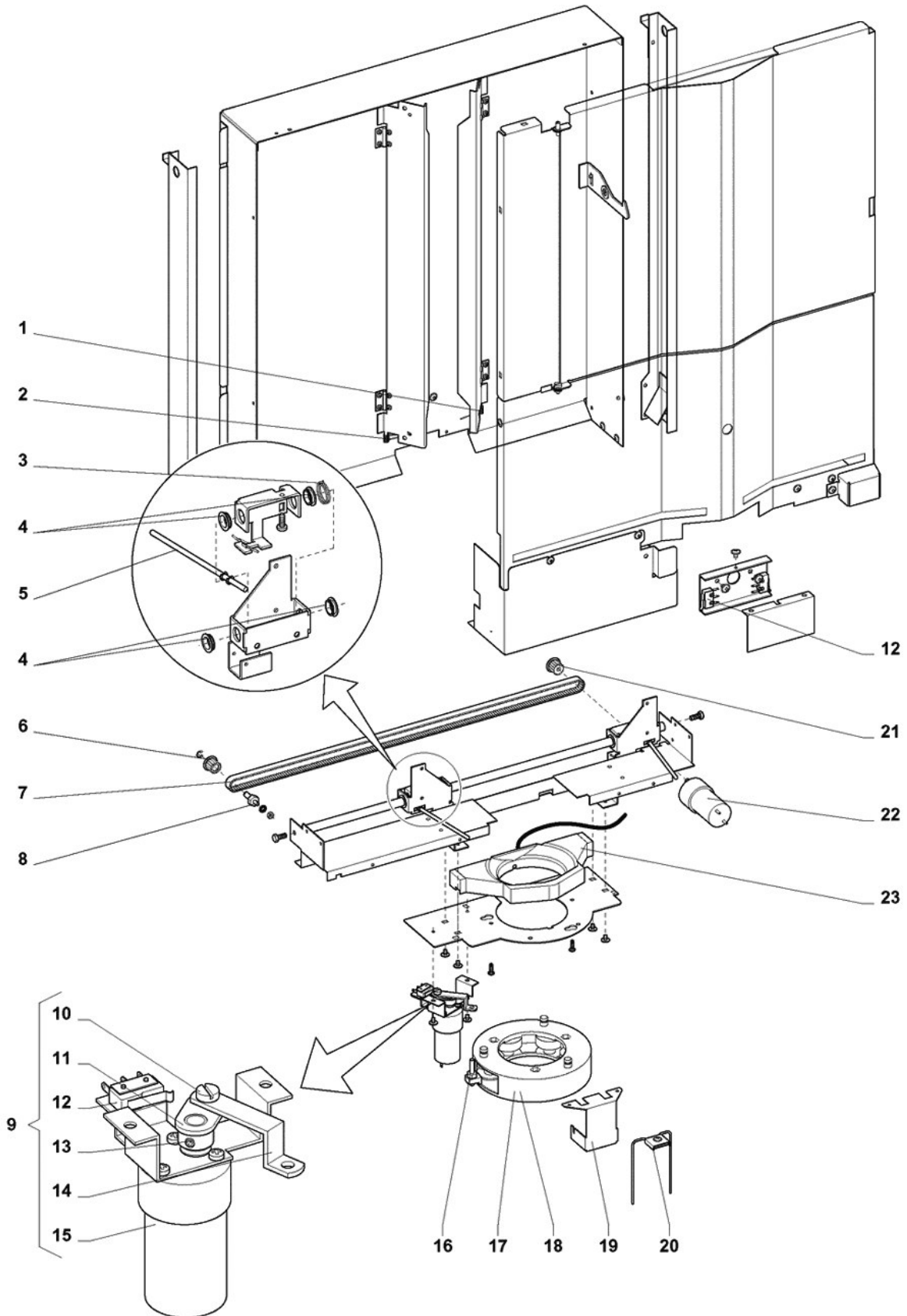


Table :03 - Cup Dispenser

	Code	Description	Notes
1	39632802	SPRING FOR CUP GUIDE LEFT	
2	39632801	SPRING FOR CUP GUIDE RIGHT	
3	39651300	PRESSURE SPRING	
4	39436801	SLIDE BEARING Ø10	
5	39272401	PIN F RELEASER	
6	39703200	PULLEY F TOOTHED BELT Z=16, Ø6	
7	39535806	TOOTHED BELT PG 981 3M-09 HTD	
8	39651400	SHAFT F. GEAR WHEEL	
9	30604800S	BRACKET FOR DROP RING MOTOR	
10	00001007	COLLAR SCREW M4 X 6	
11	30537400	CRANK	
12	41308800	MICRO SWITCH, SMALL	
13	09071012	POINTED SCREW M4X5	
14	30537600	TENSION ROD FOR DROP RING	
15	41533801	MOTOR RB300036-00501	
16	30087000	DRIVER PIN	
17	30881703	CUP DROP RING 7C W. PINS	
18	30881702	CUP DROP RING 7H W. PINS	
19	30590900	HOLDER FOR BRAKE	
20	30634400S	CUP BRAKE, ASS.	
21	39557800	WHEEL, TOOTHED BELT Z=16, Ø5	
22	41533802	MOTOR RB300120-00501	
23	75801900	PILE GUIDE W. CUP SENSOR	

Table :04 - Cup Catcher Mechanism

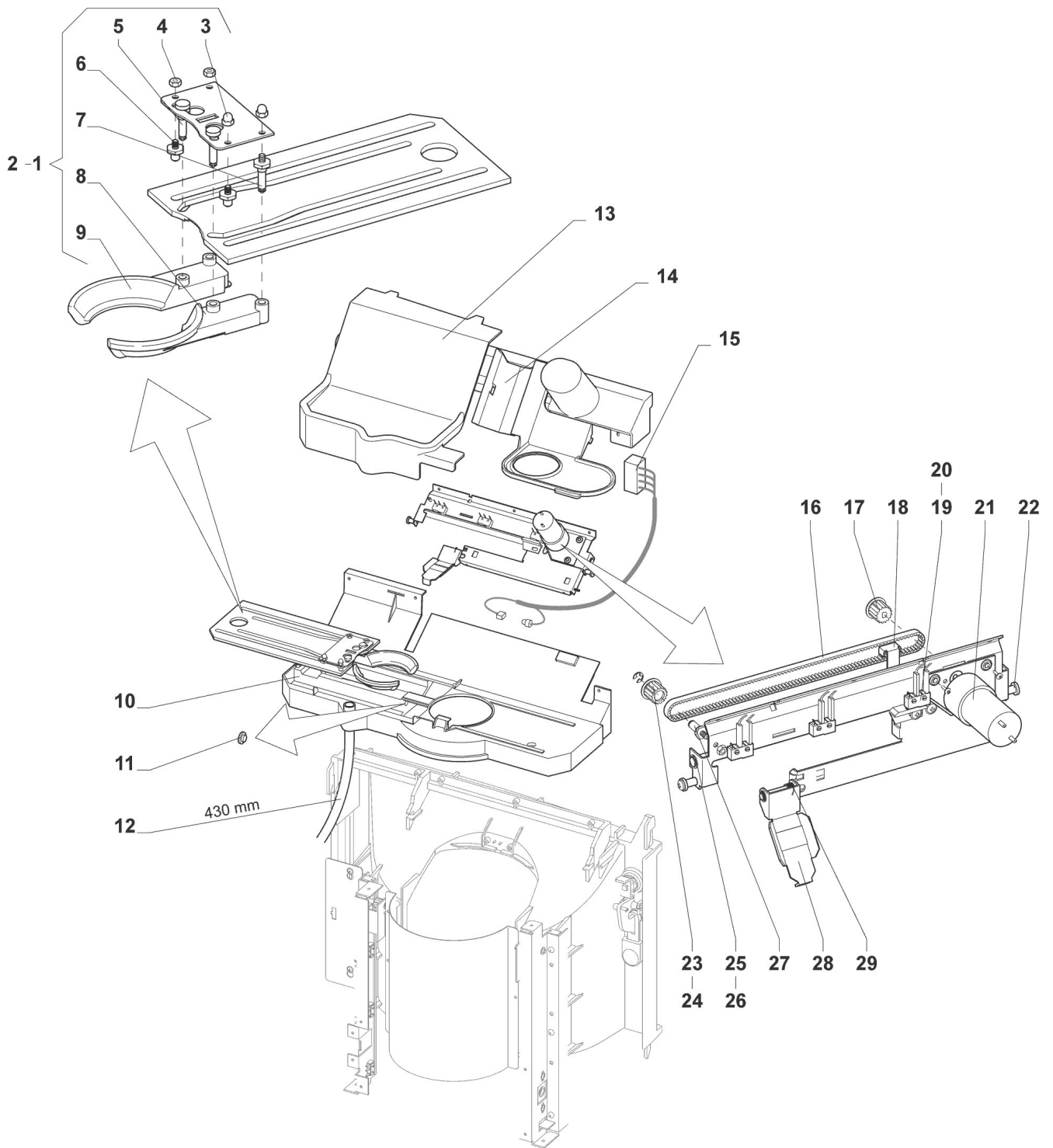


Table :04 - Cup Catcher Mechanism

	Code	Description	Notes
1	30956100S	CUP CATCHER 7C, CPL.	
2	30953200S	CUP CATCHER 7H, CPL.	
3	09106502	CAP HEAD NUT	
4	09102520	NUT M4	
5	39259800	GUIDE PIN	
6	39276200	FIXED GUIDING PIN	
7	39260100	PIN FIXED	
10	39726800	LID F CUP STATION	
11	39533900	OPTO DIODE GLASS	
12	39470504	HOSE Ø13/Ø9	
13	39702500	DRIP TRAY	
14	39593800	CUP SLIDE	
15	42386600	HARNES, OPTO SENSOR	
16	39535807	TOOTHED BELT 3 MR 480-06	
17	39557800	WHEEL, TOOTHED BELT Z=16, Ø5	
18	31084600	BELT HOLDER	
19	41305700	MICRO SWITCH	
20	09009408	SCREW CYL. H. M2X8	
21	41529624	MOTOR	
22	39263500	BUSH F CLOSING MECHANISM	
23	39703200	PULLEY F TOOTHED BELT Z=16, Ø6	
24	09124110	RETAINING RING	
25	39276100	GUIDE	
26	39436803	SLIDE BEARING Ø8	
27	39641200	SHAFT F. PULLEY	
28	30637500	COUPLING	
29	39266500	SPRING F LOCK	



Table :05 - Gun Station

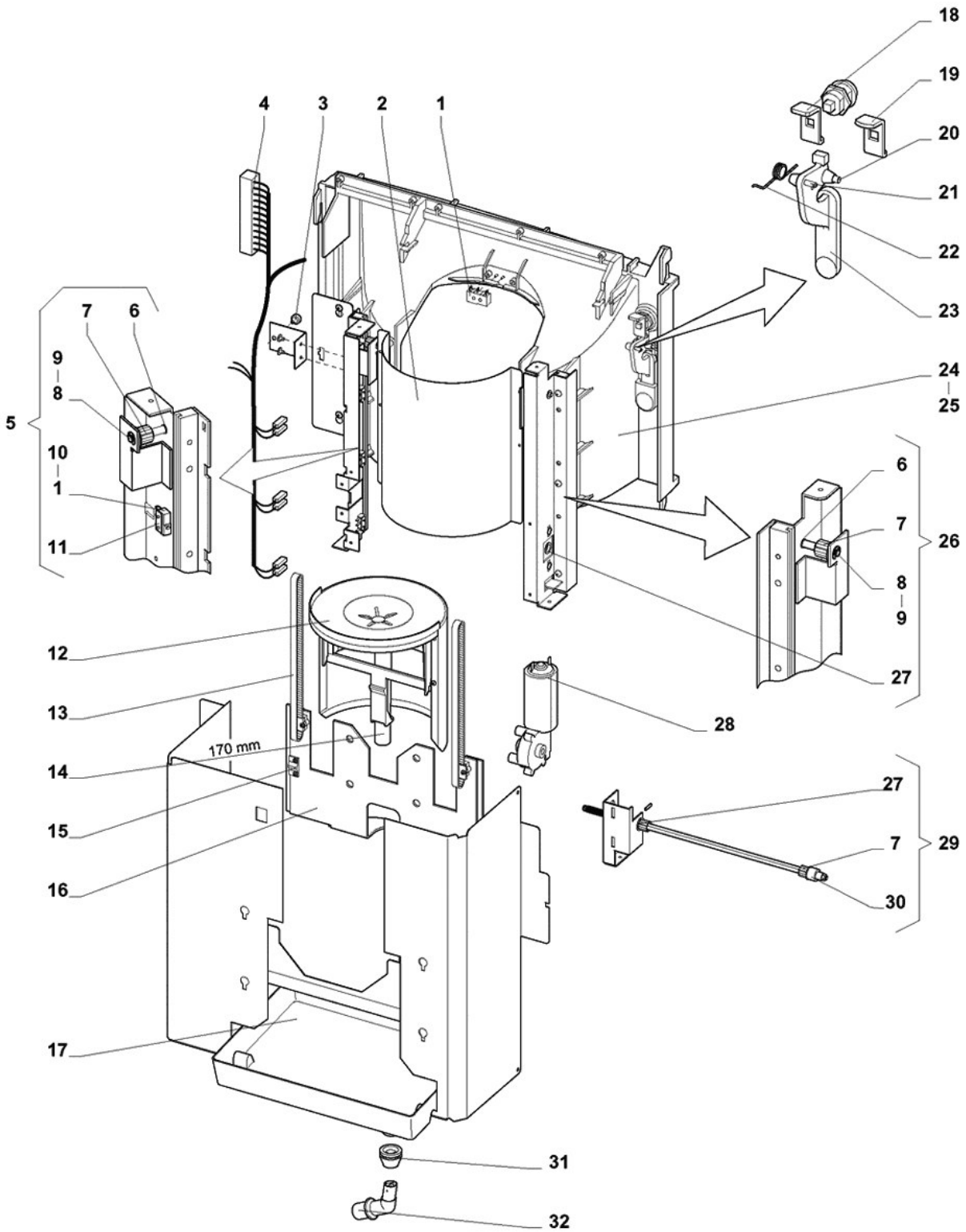


Table :05 - Cup Station

	Code	Description	Notes
1	41305700	MICRO SWITCH	
2	30560800	ALU SHIELD FOR CUP STATION	
3	39412601	RUBBER STOP	
4	42385400	HARNES, CUP STATION	
5	30949700S	RIGHT SLIDING RAIL	
6	39436802	SLIDE BEARING Ø6	
7	39533500	PULLEY, TOOTHED BELT Z=16, 6X6	
8	39258700	SHAFT FOR GEAR WHEEL	
9	09124115	RETAINING RING RS 5	
10	39637700	ADJUST.PIECE F MICRO SWITCH	
11	30448800	THREADING PIECE	
12	30638900S	CUP PLATFORM, MOUNT.	
13	39535802	TOOTHED BELT	
14	39470504	HOSE Ø13/Ø9	
15	39534300	ACTIVATING DEVICE	
16	30562400S	BRIDGE, MOUNT.	
17	39598900	DRIP TRAY	
18	31001600	LOCKING LATCH F DOOR	
19	31018100	LOCKING LATCH, RIELDA	
20	39638600	SHAFT FOR DOOR HANDLE	
21	00000231	THREADED PIN	
22	39234400	SPRING	
23	39234300	DOOR HANDLE	
24	39592200	CUP STATION	
25	39533800	GLASS F OPTO DIODE	
26	30949600S	LEFT SLIDING RAIL	
27	39436801	SLIDE BEARING Ø10	
28	41529100	MOTOR	
29	30953700S	MOTOR BRACKET	
30	39540900	BEARING	
31	39583700	GASKET FOR VALVE	
32	39712500	FB SPOUT	

Table :06 - Cabinet and Electric parts

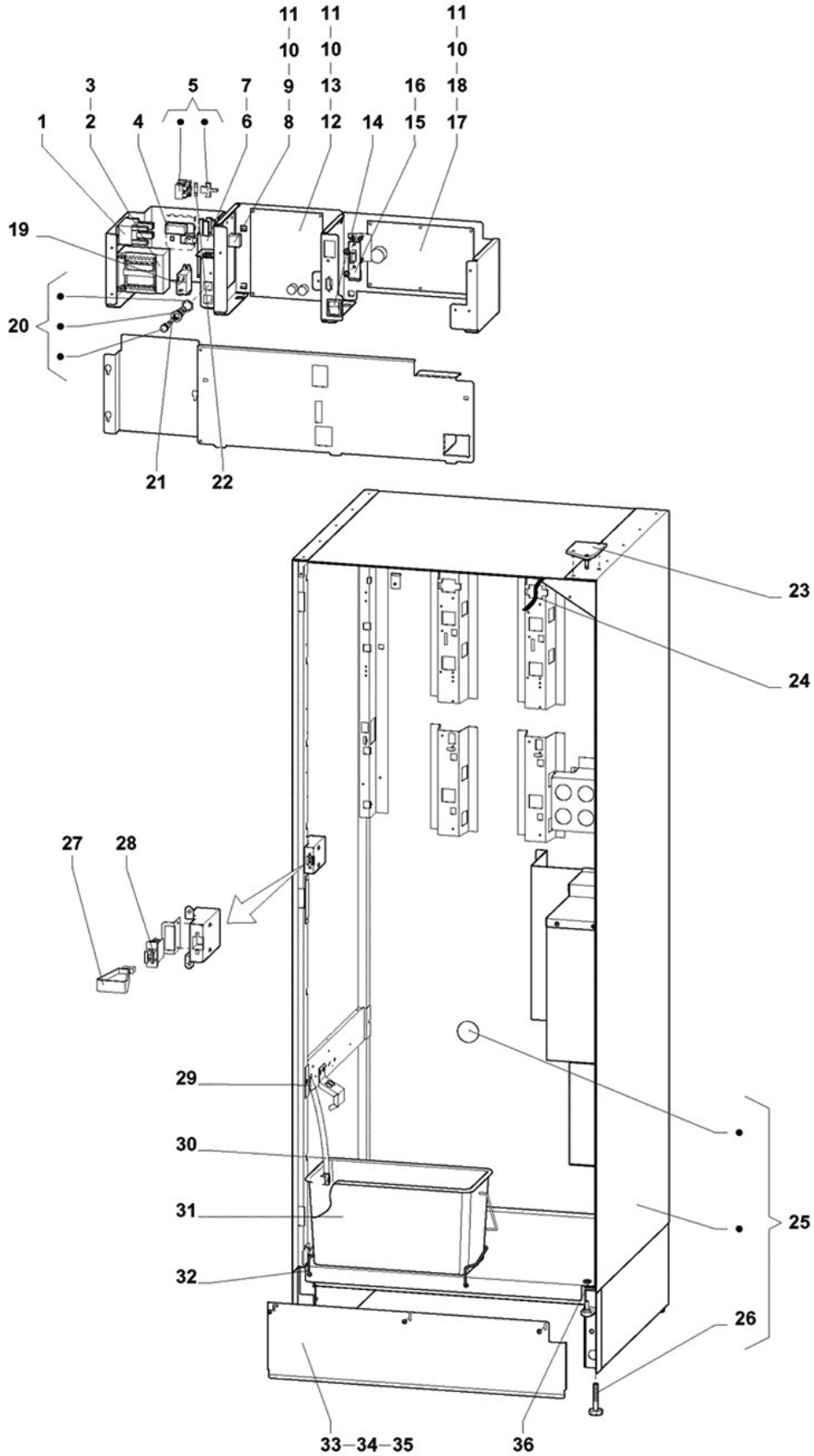


Table :06 - Cabinet and Electric parts

	Code	Description	Notes
1	41414000	RELAY	
2	41611100	TRANSFORMER 230V-50HZ	
3	39224700	SPEED CLIPS	
4	098796	TERMINAL BOARD	
5	097241	3-POLE TERMINAL BOARD W/CARRIER	
6	41815700	NOISE CAPACITOR	
7	41815702	NUT	
8	47125700	CONTROLLER CIRCUIT BOARD, ES.	
9	48002005	ESPRESSO PROGRAM	
10	41005801	FIXTURE F. PC BOARD	
11	58010410	THREADED SPACER	
12	47125600	CPU CIRCUIT BOARD "TO JUNE 06"	
13	48002004S	CPU BOARD, PROGRAMMED	
14	41303603	TILTING SWITCH	
15	47126300	CIRCUIT BOARD F UP-KEY	
16	00005545	SPACING BUSH	
17	47124900	VMC CIRCUIT BOARD	
18	48002002	VMC PROGRAM	
19	41415200	RELAY (OMRON)	
20	0V3201	FUSE HOLDER	
21	41008402	FUSE 10A 5X20 MM	
22	41008401	FUSE 2A 5X20 MM	
23	30937400	UPPER HINGE FOR CABINET	
24	31018300	SECURING STRAP L=315	
25	30933300S	CABINET, ASS.	
26	39656500	LEVELLER	
27	0V1654	SWITCH KEY	
28	41308701	DOOR SWITCH	
29	39420500	LEAD-IN F. HOSE	
30	42387100	SENSOR FOR WASTE BUCKET	
31	39714500S	WASTE BUCKET, 11L INCL LABEL	
32	39714600	BRACE F WASTE BUCKET	
33	31074555	KICK PLATE, BLACK	
34	31074525	KICK PLATE, WHITE	
35	31074590	KICK PLATE, SPEC. COLOUR	
36	29932900	WASHER	

Table :07 - Water System

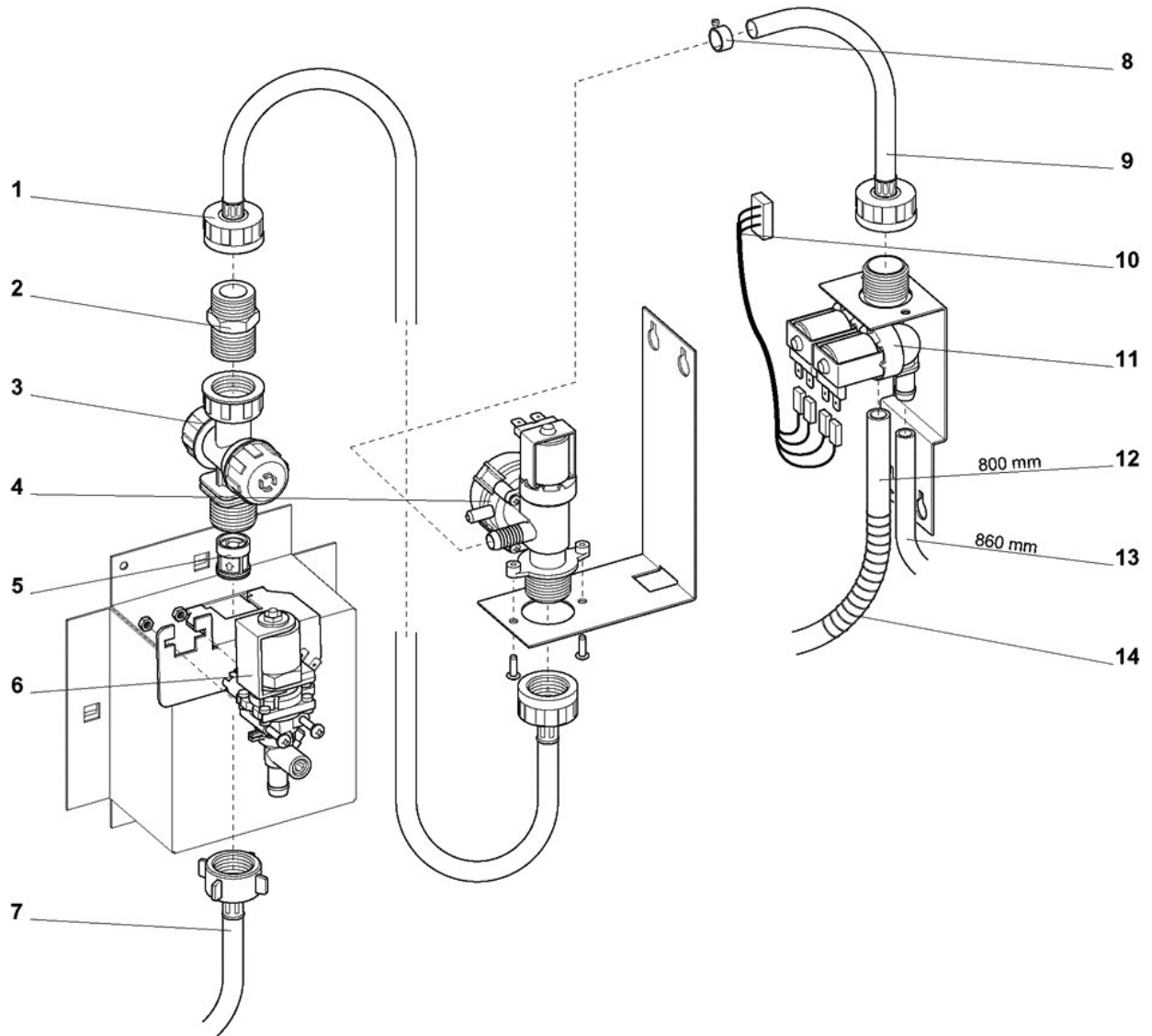


Table :07 - Water System

---

	Code	Description	Notes
1	39497200	HOSE 3/4"-3/4"	
2	A-0862	COLLAR NIPPLE 3/4"	
3	39269000	WATER FILTER	
4	41535400	INLET VALVE 24VDC	
5	39312200	REFLUX VALVE	
6	41532400	24VDC VALVE, MÜLLER	
7	39657400	CONNECTION HOSE WIRSBO 3/8"	
8	39202515	HOSE CLIP	
9	31085000	CONNECTING HOSE 3/4" SPEC.	
10	42390400	HARNES, COLD WATER INJECTION	
11	41533700	DOUBLE INLET VALVE 24V DC	
12	39470504	HOSE Ø13/Ø9	
13	39470503	HOSE Ø9,5/Ø6	
14	30122400	SPRING F HOSE	

---

Table :08 - Boiler

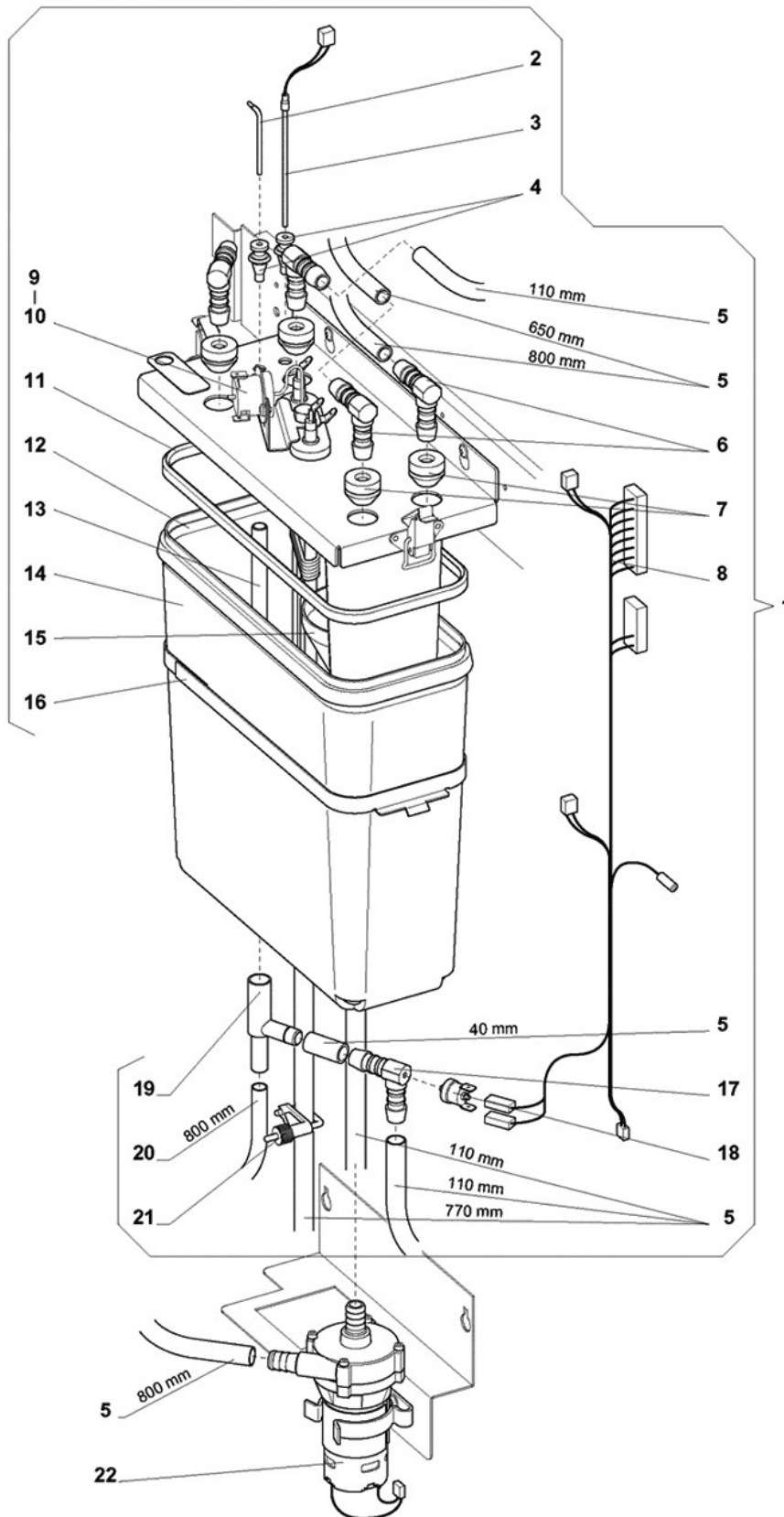


Table :08 - Boiler

---

	Code	Description	Notes
1	31063600S	WATER TANK ES MOUNTED 2000W	
2	29776912	ELECTRODE 50 MM	
3	42387300	TEMPERATURE SENSOR, KPL	
4	30742401	HOLDER FOR ELECTRODE	
5	39470504	HOSE Ø13/Ø9	
6	35012301	ANGLE PIECE WS12	
7	39550200	SILICONE GASKET	
8	42393200	HARNESS FOR WATER TANK	
9	41611002	HEATING ELEMENT 2,0 KW	
11	39590700	GASKET	
12	39589100	WATER TANK	
13	31017900	OVERFLOW PIPE	
14	39705901	INSULATION F WATER TANK 7600	
15	39709500	FUNNEL F WATER TANK	
16	30939400	SUPPORT	
17	31018600	ANGLE PIECE, DRILLED	
18	41407402	SAFETY THERMOSTAT 80°C	
19	094185	CODENSE RECOVERY UNION	
20	39470503	HOSE Ø9,5/Ø6	
21	39200215	HOSE CLAMP	
22	42393100	WATER PUMP, ASS.	

---



Table :09 - Espresso Boiler Unit

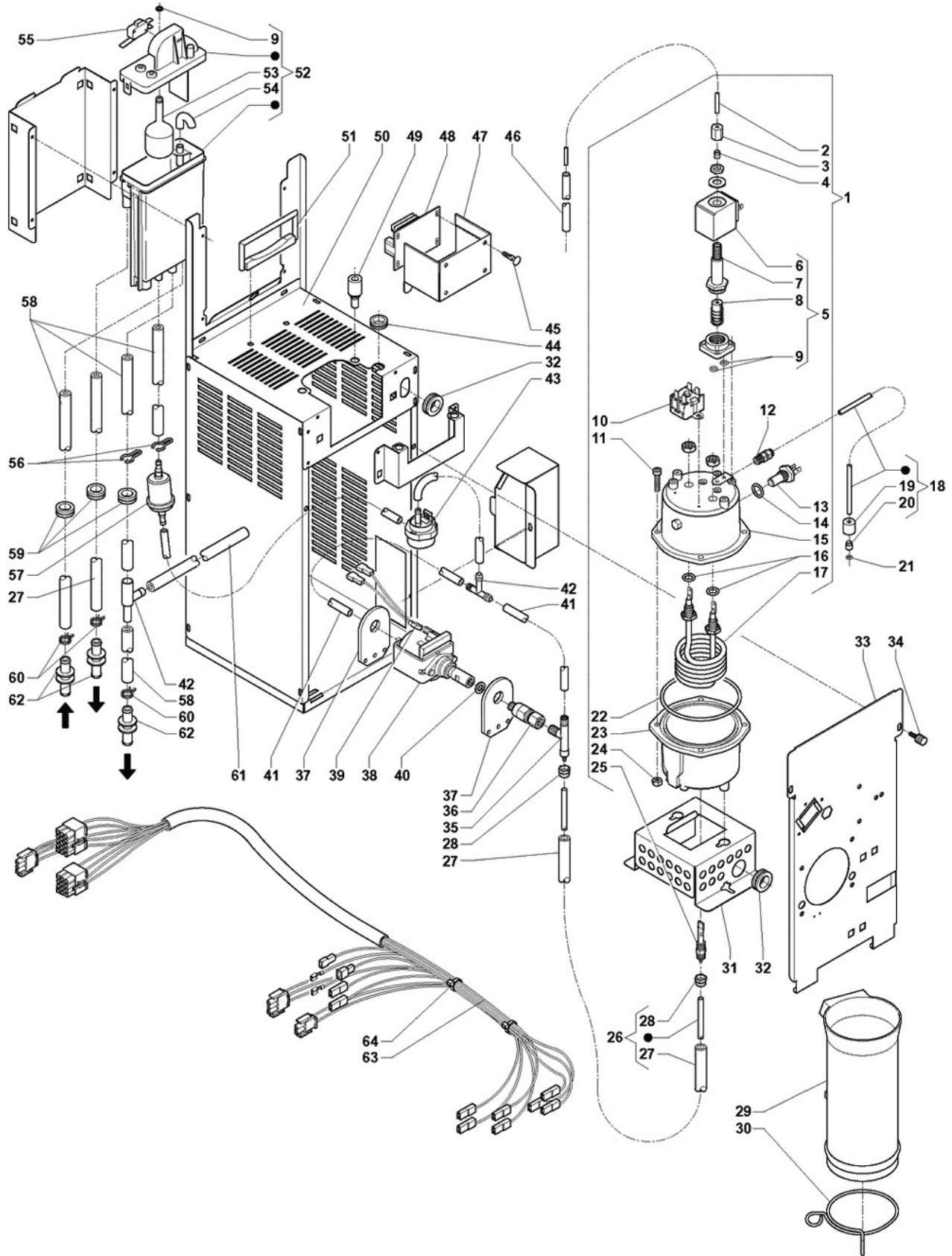


Table :09 - Espresso Boiler Unit

	Code	Description	Notes
1	251141	COMPLETE COFFEE BOILER	
2	092068	TEFLON PIPE DIAM MM 2X4	
3	093636	TIGHTENING NUT ELECTR. DE-AERATION	
4	093635	TIGHTENING RING ELECTRICAL DE-AERAT	
5	097470	3-WAY ELECTROVALVE 220V	
6	099057	ELECTROV.-COIL 220/230 VOLT	
7	250016	3-WAY ELECTROVALVE PIPE	
8	250348	3-WAY ELECTROVALVE NUCLEUS- RUBY-	
9	252538	O-RING 2025	
10	0V1318	125 DEGR. THERMOSTAT	
11	096194	SCREW M6X25	
12	0V1434	STRAIGHT UNION	
13	094872	BOILER TEMPERATURE PROBE	
14	095624	GASKET O-RING 116 EP851	
15	099747	UPPER BOILER-COVER	
16	254711	GASKET O-RING112 2.62X9.92	
17	099653	HEATING ELEMENT 1450 W	
18	099400	PLUNGER TUBE	
19	098699	UNION FOR PISTON PIPE	
20	098711	BUSH PISTON PIPE	
21	094611	GASKET O-RING 2018	
22	099748	GASKET	
23	0V3651	BOILER LOWER COVER	
24	985318	NUT	
25	098758	STRAIGHT UNION	
26	0V2158	PUMP PIPE/COFFEE BOILER	
27	097685	SILICONE HOSE BROWN 7.5X12	
28	099107	NUT	
29	094047	PASTILLE BAG HOSE	
30	094048	BAG LOCK COLLAR	
31	251136	BOILER SUPPORT	
32	090020	WHIPPING MM 16	
33	251135	BRACKET SLIDER	
34	096977	KNURL	
35	098764	BY-PASS PUMP (12 BAR)	
36	099101	NO-RETURN VALVE	
37	0V4275	POMPE SUPPORT	
38	098760	PUMP (VIBRATION)	
39	098815	90 DEGREES THERMIC PROTECTION	
40	251143	ALUMINIUM WASHER	
41	097510	SILICONE HOSE 5X9 BROWN	
42	094231	UNION T-SHAPE	

Table :09 - Espresso Boiler Unit

---

	Code	Description	Notes
43	098707	VOLUMETRIC COUNTER	
44	090021	WHIPPING DIAM 10.5 MM	
45	097175	CARD SPACER	
46	097529	SILICONE HOSE 3X6 BROWN	
47	0V2305	CARD SUPPORT	
48	0V2143	BOILER CONTROL BOARD	
49	099484	LITTLE RUBBER	
50	251179	COFFEE-SHELF COVER	
51	987216	HANDLE	
52	0V1133	AIR-BREAK ASSEMBLY	
53	0V1126	AIR-BREAK FLOAT	
54	0V1749	WATER/AIR-BREAK CONNECTION	
55	0V1141	MICROSWITCH	
56	092703	TUBE CLAMP	
57	097435	WATER FILTER VOLUMETRIC COUNTER	
58	097512	SILICONE HOSE 6X12 BROWN	
59	0V2127	FAIRLEAD	
60	097122	HOSE CLIP	
61	097511	SILICONE HOSE 6X9 BROWN	
62	0V2058	BRACKET WATER CONNECTION	
63	251139	COFFEE BRACKET WIRING	
64	090148	CLIP	

Table :10 - Espresso Brewer Unit

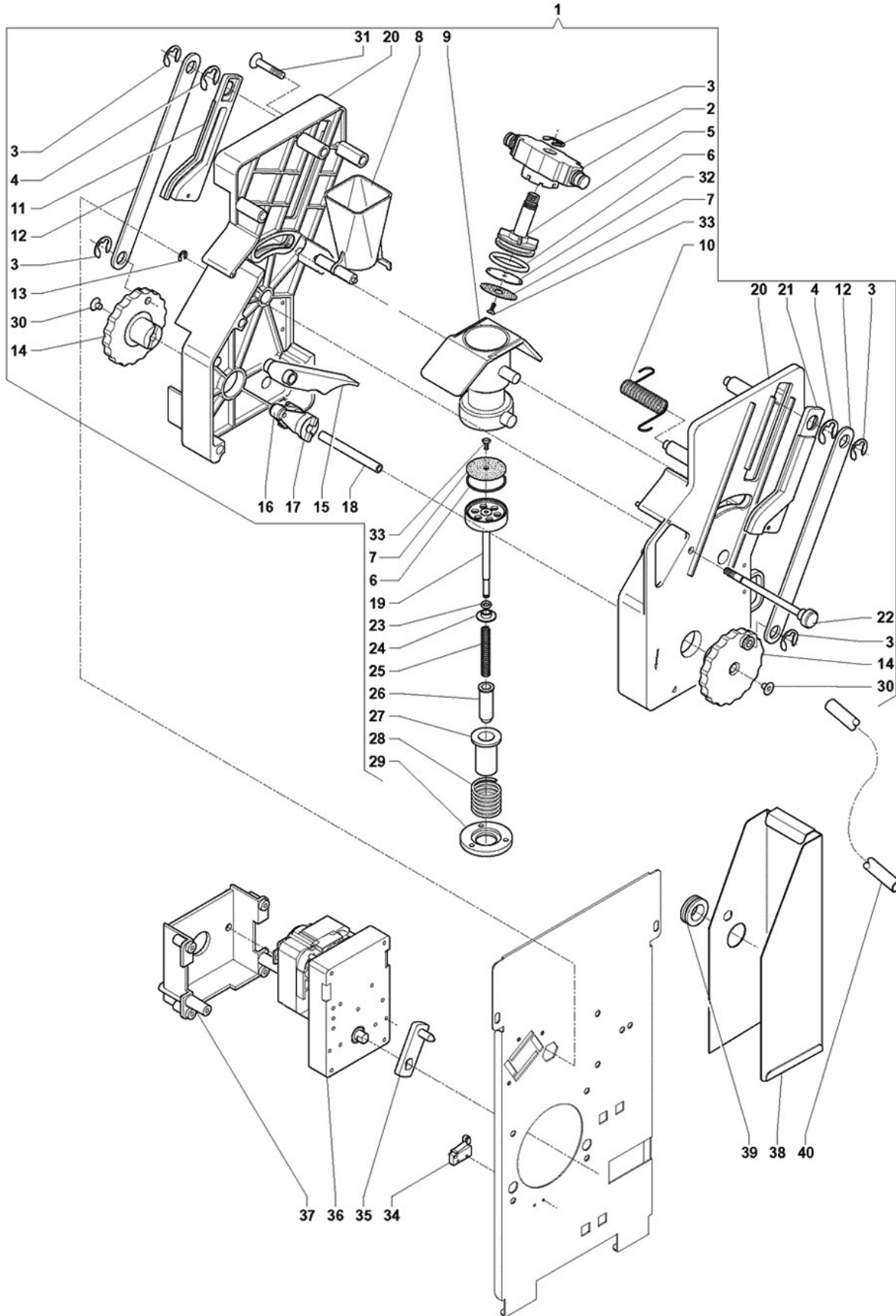


Table :10 - Espresso Brewer Unit

	Code	Description	Notes
1	251687	COFFEE-GROUP Z3000	
2	098568	CROSS-BAR	
3	092717	FIXING COLLAR DIAM MM10	
4	096569	FIXING COLLAR DIAM 12	
5	098577	UPPER PISTON	
6	093167	SILICONE GASKET OR 4118 .	
7	098687	COFFEE FILTER	
8	098570	COFFEE CHUTE	
9	0V1715	BREWING CHAMBER W/PLUG	
10	098920	SCRAPER	
11	098571	REAR SLEDGE	
12	098565	TRACE FOR PISTON COMMAND	
13	098818	STOPPING RING D.4	
14	098573	CRANK	
15	098575	OSCILLATING LEVER	
16	098692	ROTATING LEVER ROLL	
17	098574	ROTATING LEVER	
18	098693	ROD CRANK BLOCKING	
19	099490	LOWER PISTON	
20	0V1714	FRONT AND REAR SHOULDER	
21	098572	FRONT SLEDGE	
22	098694	ROD WITH KNURL	
23	090421	GASKET OR 2025	
24	098690	CONTROL BUSH	
25	098688	PISTON RETURN SPRING	
26	098691	LOWER PISTON GUIDE	
27	098567	LID FOR SPRING	
28	098689	PREINFUSION SPRING	
29	098569	FLANGE FOR SPRING	
30	0V3889	SCREW 6X14	
31	250290	SCREW 4.2X26	
32	0V1789	WATER DEFLECTOR	
33	251235	STEEL SCREW M3X10MM	
34	096355	MICRO SWITCH -UL -	
35	098763	CRANK WITH PIN	
36	098708	MOTOREDUCER	
37	098566	MOTOREDUCER SUPPORT	
38	251137	COFFEE UNIT COVERING	
39	090020	WHIPPING MM 16	
40	097510	SILICONE HOSE 5X9 BROWN	

Table :11 - Espresso Grinder Unit

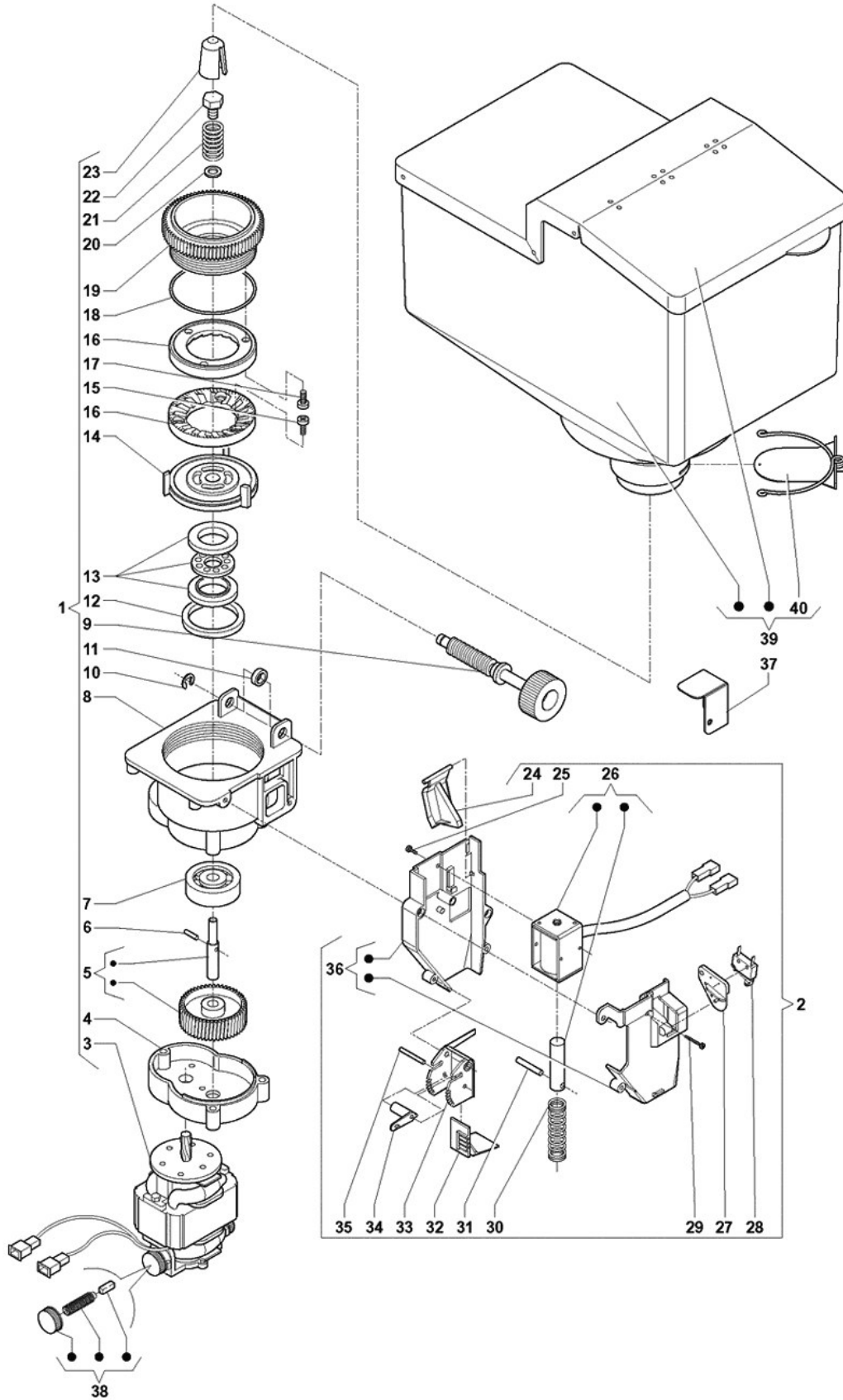


Table :11 - Espresso Grinder Unit

	Code	Description	Notes
1	099336	GRINDER	
2	099337	COFFEE DOSER	
3	099732	GRINDER MOTOR	
4	099468	SUPPORT	
5	099470	SHAFT WHEEL	
6	098293	ELASTIC PLUG	
7	095803	RADIAL BEARING	
8	099469	CAP	
9	099474	REGULATION SCREW	
10	093171	OUTER FIXING COLLAR DIAM MM6	
11	099457	WASHER	
12	093271	COFFEE JUNK RING	
13	093187	THRUST BEARING	
14	095802	GRINDER HOLDER IMPELLER	
15	095809	SELF-THREADING SCREW (M4)	
16	095840	GRINDER	
17	097879	NICKELPLATED SCREW	
18	095805	GASKET O-RING	
19	099473	GRINDER HOLDER	
20	096988	WASHER	
21	099471	SPRING	
22	099472	LEFT SCREW	
23	0V2520	SCREW PROTECTION	
24	099475	ACTUATOR	
25	092657	CLOSS SLOT SCREW 3X6TC	
26	098716	ELECTROMAGNET 220V	
27	0V2082	ADAPTER PLATE	
28	0V2131	BURGESS MICRO-SWITCH	
29	096097	SCREW	
30	098696	SPRING DOSER ELECTROMAGNET	
31	093832	ROD PIVOT	
32	098643	RULE COFFEE-DOSES	
33	098642	SHUTTER COFFEE-DOSER	
34	098644	LEVER FOR RULE	
35	098822	PIN FOR LEVER	
36	251128	COFFEE DOSER-BODY	
37	251138	DOSER UNIT COVER	
38	0V3229	MOTORBRUSH KIT	
39	251140	COFFEE CONTAINER ASSEMBLY	
40	099180	COFFEE BELL SHUTTER	

Table :12 - Sugar and Stick Unit

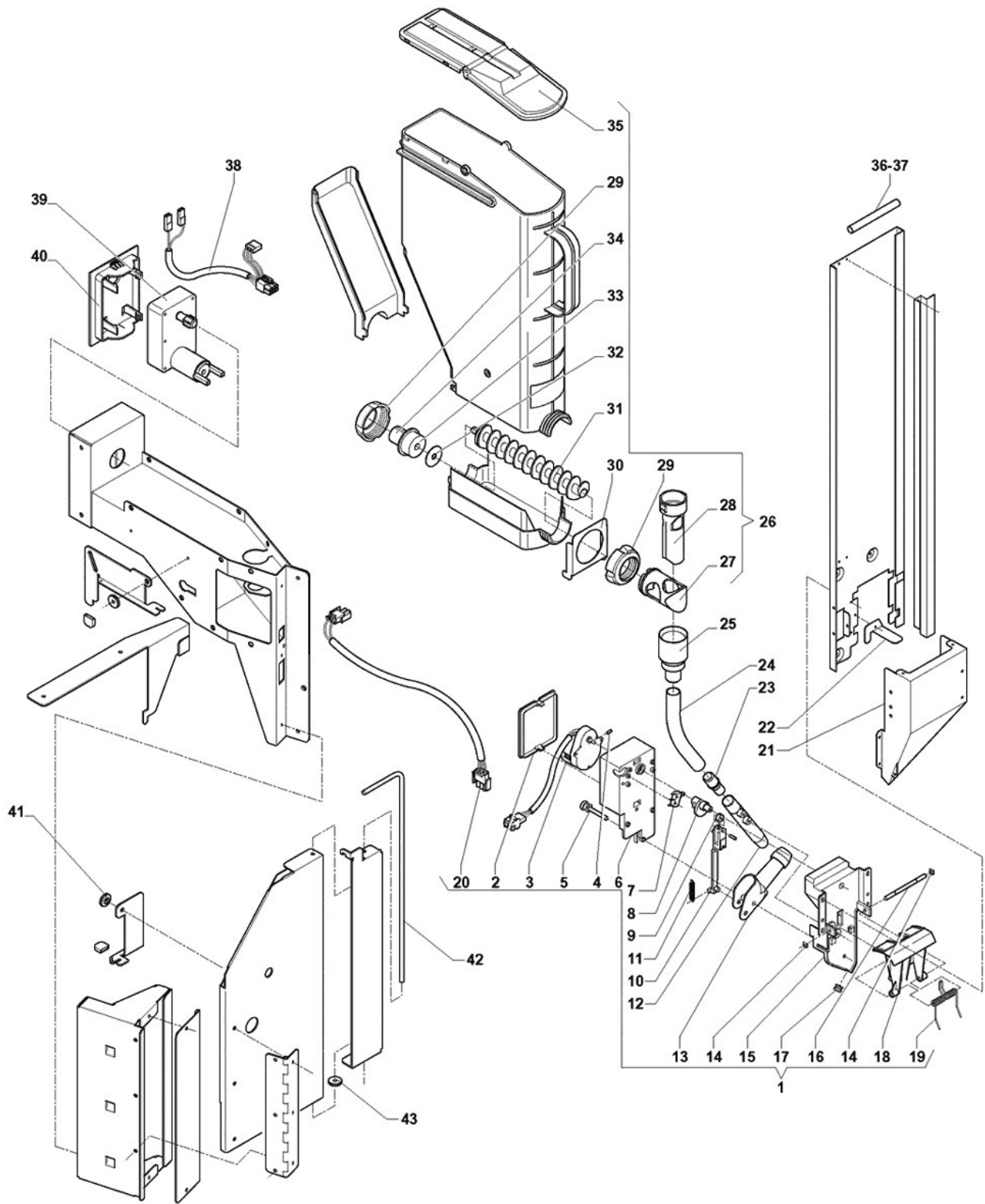




Table :12 - Sugar and Stick Unit

	Code	Description	Notes
1	31082200	SPOON/SUGAR UNIT W BUSH	
2	099609	COVER	
3	099397	MOTOR REDUCTOR 6G/1 MIN.	
4	096904	ELASTIC PLUG 1.5X8	
5	0V2949	SUGAR SPOUT PIN	
6	099608	SUPPORT	
7	096355	MICRO SWITCH -UL -	
8	099606	CAM	
9	099604	ROLLER	
10	099605	ROD	
11	099616	SPRING	
12	098356	SUGAR PIPE	
13	099721	SUGAR NOZZLE	
14	091959	BENZING COLLAR DIAM MM4	
15	099607	BODY	
16	098352	STIRRING BARS EJECTING PIN	
17	098853	PASS-WIRE	
18	099610	LEVER	
19	099602	SPRING	
20	0V3666	STIRRER DISPENSER WIRING	
21	251183	90 -115 MM STIRRER CHUTE	
22	0V3830	STIRRING GUIDE SQUARE	
23	099375	HOSE COUPLING	
24	39473902	HOSE PVC Ø15/Ø19	
25	547599200	BUSHING	
26	31065200S	SUGAR CANISTER	
27	39587300	OUTLET SPOUT	
28	39587400	OUTLET PIPE	
29	39586200	NUT FOR CANISTER	
30	31065100	FIXATION	
31	39633900	AUGER, FULL	
32	39593600	FELT WASHER	
33	39586300	SEALING BUSHING	
34	39446600	COUPLING	
35	31065300	LID F CANISTER 4LT	
36	090203	STIRRER BAR WEIGHT L=95	
37	099720	STIRRER BAR WEIGHT L=105	
38	251142	SUGAR/STIRRER WIRING	
39	41534501	INGREDIENT MOTOR W PCB	
41	00005116	BUSHING W COLLAR	
42	0V3654	FULCRUM PIN	
43	09206005	WASHER	

Table :12 - Sugar and Stick Unit

---

Code	Description	Notes
------	-------------	-------

---

Table :13 - Mixing Unit

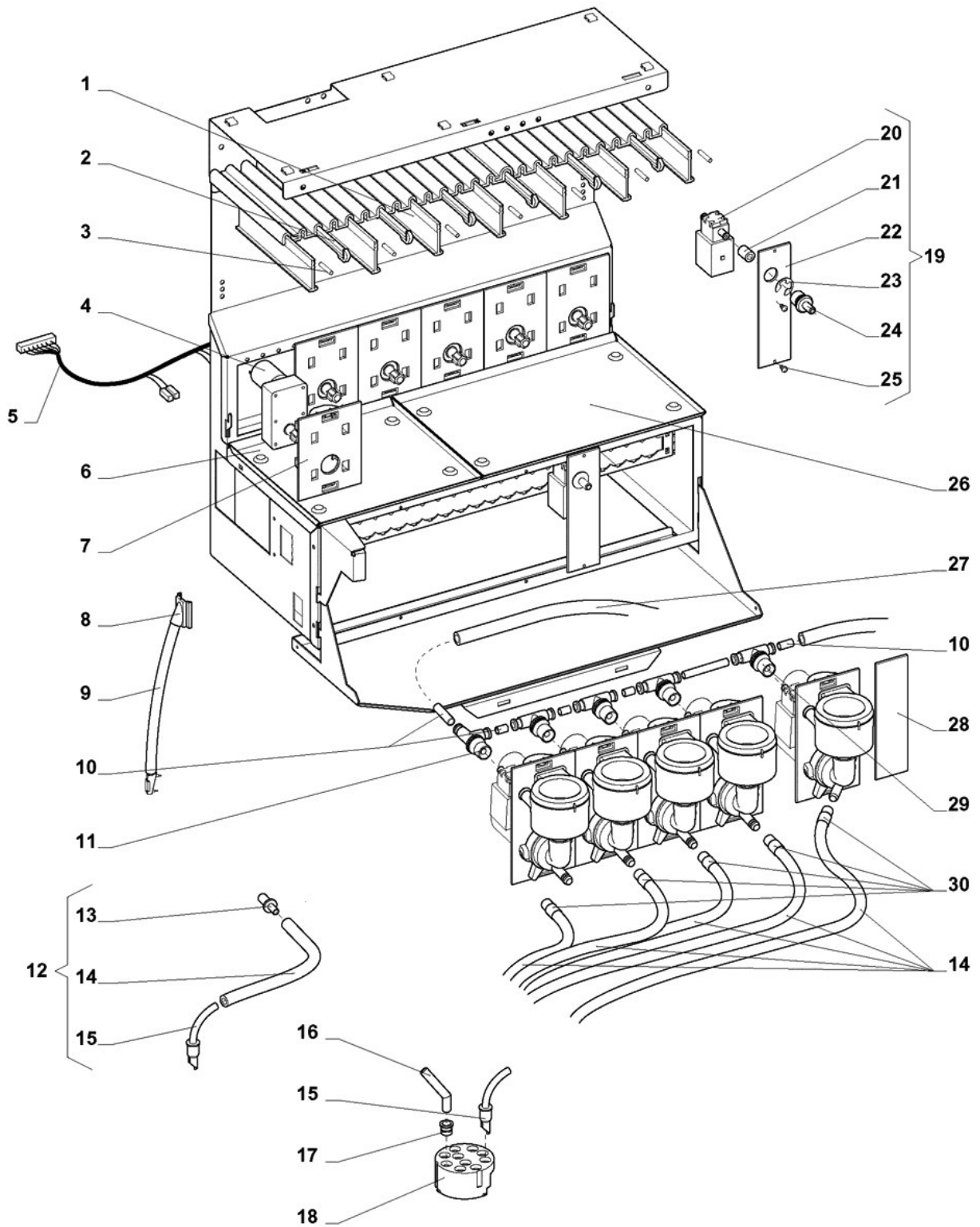


Table :13 - Mixing Unit

	Code	Description	Notes
1	39275000	GUIDE FOR CANISTER	
2	39587000	SPRING FOR CANISTER	
3	09157216	TENSION PIN 3X16	
4	41534300	INGREDIENT MOTOR	
5	42387500	HARNES, INGREDIENT MOTORS	
6	30955500	UNDER TRAY, SMALL	
8	39420500	LEAD-IN F. HOSE	
9	42387700	WASTE BUCKET SENSOR	
10	39474809	NYLON HOSE Ø8/Ø6	
11	39591500	L-PIECE F MIXER VALVE	
12	75803500	IN-CRÈME KIT 7600	
13	097914	COFFEE CHOKE	
14	39470705	HOSE Ø12, BLUE	
15	39729100	SPOUT F CREAMY DRINKS, BLUE	
16	39649200	COFFEE OUTLET	
17	39714200	ADAPTER	
18	39719700	HOLDER F OUTLET SPOUTS, ES	
19	31009000S	HOT WATER MODULE	
20	41532800	VALVE, 24VDC	
21	39470505	SILICONE HOSE	
22	39704200	BLANKING MODULE, HOT WATER	
23	09124315	RETAINING RING U15X1,0	
24	39704100	CONNECTING PIECE	
25	48840302	FIXTURE	
26	30955600	UNDER TRAY, LARGE	
27	39470504	HOSE Ø13/Ø9	
28	39589300	BLANKING MODULE F MIX 40 MM	
29	39589500	T-PIECE F MIX VALVE	
30	75802600	CIFRE RINGS 1-7	

Table :14 - Mixing Funnel + Extraction

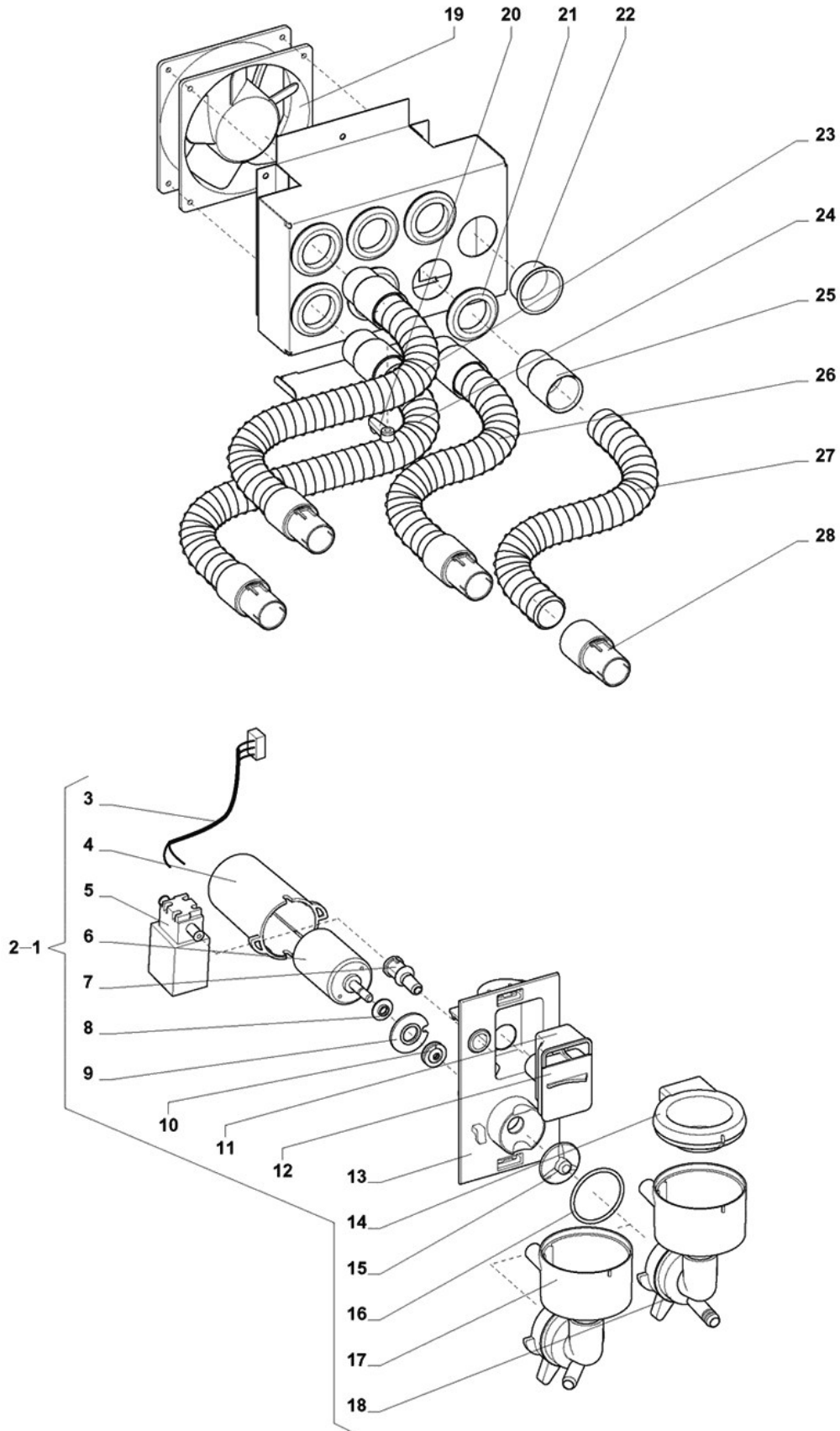


Table :14 - Mixing Funnel + Extraction

	Code	Description	Notes
1	30940100S	MIX. FUNNEL MODULE WHIP.WHEEL	
2	31051700S	MIX FUNNEL MODULE, 45GR OUTLET	
3	42386500	HARNESS, WHIPPER	
4	39590300	LOCKING RING F MIXING MOTOR	
5	41532800	VALVE, 24VDC	
6	41534900	WHIPPER MOTOR, 24VDC	from serial number 648735
6	41532900	WHIPPER MOTOR, 24VDC	until serial number 648734
7	39589600	GASKET FOR MIXING VALVE	
8	39733800	SLINGER RING	
9	39594500	COMPRESSION GASKET	
10	39599400	SEALING FOR MIXING MOTOR	
11	39590400	POWDER TRAP, REAR PART	
12	39590500	POWDER TRAP, FRONT	
13	39729700S	MODULE PLATE + V-RING	
14	39719300	HOOD F MIXING FUNNEL	
15	39590000	WHIPPER WHEEL	
16	39400641	O-RING 35X3, BLUE	
17	31083300	MIX. FUNNEL 45GR W LOCK. RING	
18	31083200	MIXING FUNNEL W LOCKING RING	
19	41533400	FAN	
20	39417002	TURNBUCKLE	
21	39701300	RUBBER BUSHING	
22	39400257	PLASTIC CAP NO.57	
23	30967601	SPIRAL HOSE W CONNECTION 220MM	
24	30967602	SPIRAL HOSE W CONNECTION 350MM	
25	4988.00147	BUSH FOR EXTRACTION	
26	30967606	SPIRAL HOSE W CONNECTION 150MM	
27	39701400	SPIRAL HOSE Ø30/25	
28	39590600	COUPLING PIECE FOR EXTRACTION	

Table :15 - Branch Pine

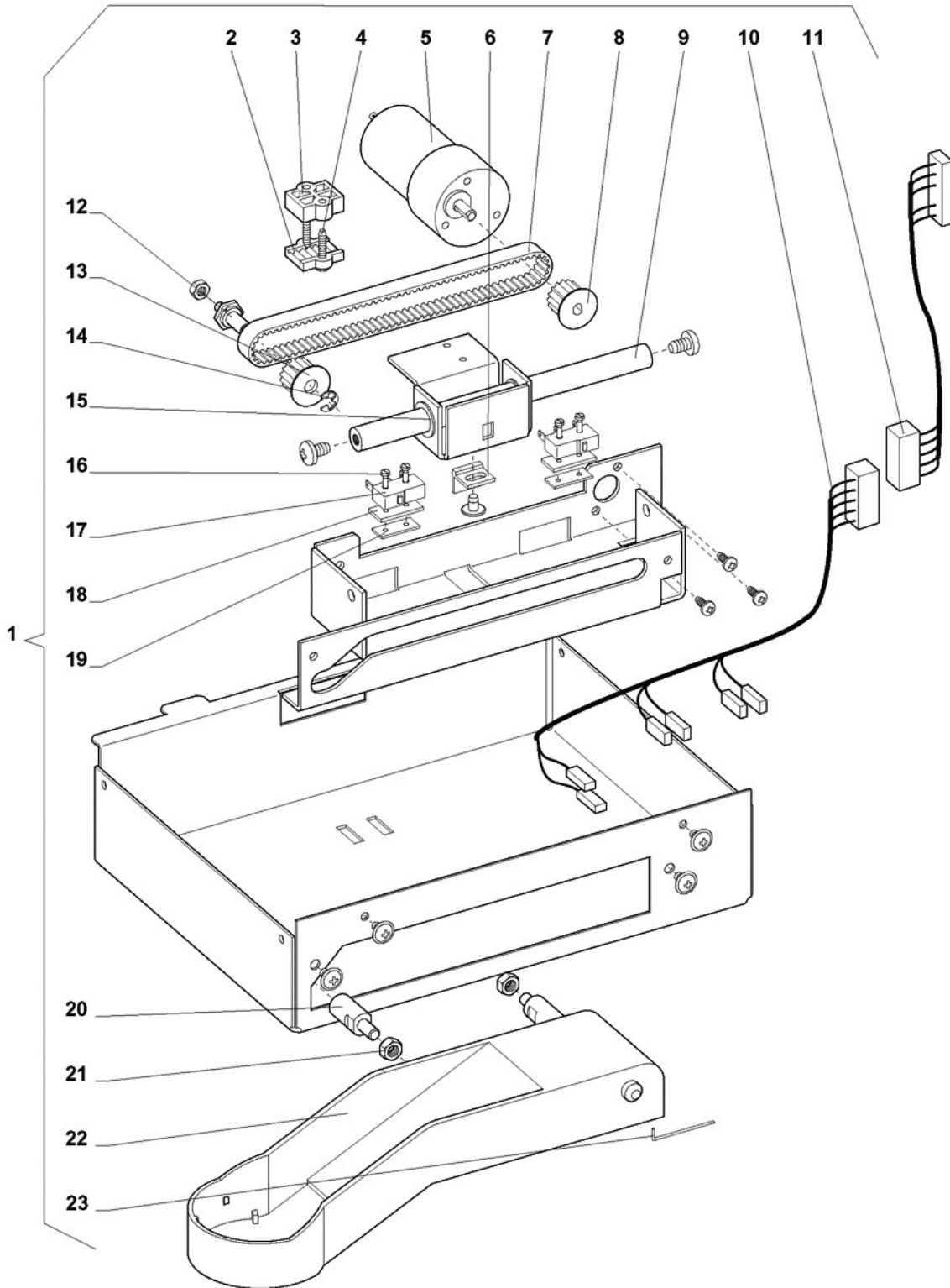


Table :15 - Branch Pipe

---

	Code	Description	Notes
1	31146700S	BRANCH PIPE ASSEMBLY	
2	39535600	HOLDER F BELT	
3	39542300	INTERMEDIARY PIECE F BELT	
4	09026606	SCREW GFPX M3X16	
5	41529624	MOTOR	
6	39542700	ACTIVATING ANGLE	
7	39535804	TOOTHED BELT	
8	39557800	WHEEL, TOOTHED BELT Z=16, Ø5	
9	39641400	SHAFT F. DRIVE	
10	42388700	HARNESS, BRANCH PIPE+MOTOR	
11	42386900	HARNESS, BRANCH PIPE	
12	39641200	SHAFT F. PULLEY	
13	39703200	PULLEY F TOOTHED BELT Z=16, Ø6	
14	09124110	RETAINING RING	
15	39436801	SLIDE BEARING Ø10	
16	09009409	CHEESE HEAD SCREW M2X12	
17	41305700	MICRO SWITCH	
18	39637700	ADJUST.PIECE F MICRO SWITCH	
19	30448800	THREADING PIECE	
20	39641500	SLIDING PIN	
21	09083225	NUT M5	
22	39554400	HOLDER F MIXER	
23	39642100	LOCKING SPRING	

---



Table :16 - Ingredient Canister. 4 lt

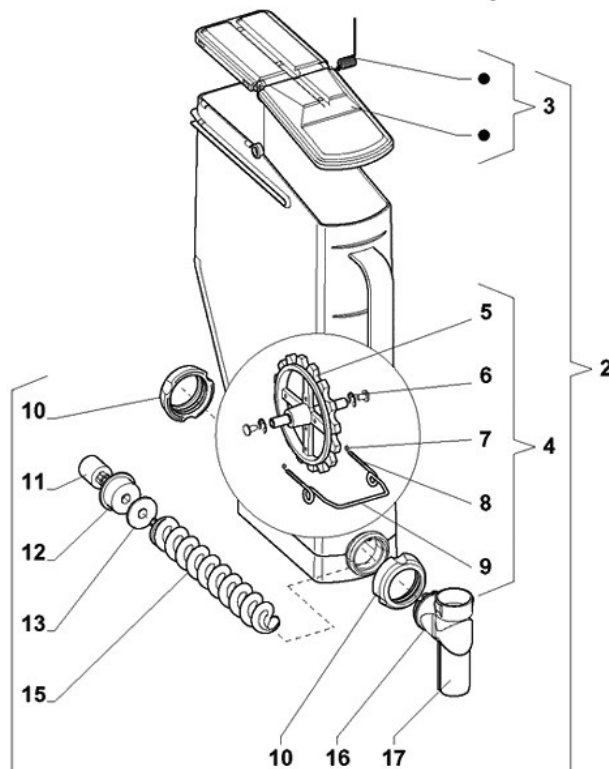
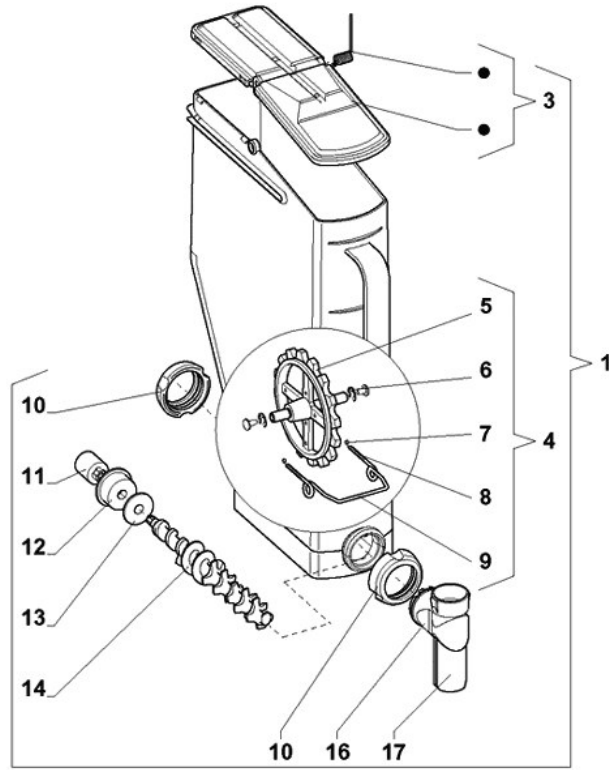


Table :16 - Ingredient Canister, 4 lt

---

	Code	Description	Notes
1	31000500S	INGREDIENT CANISTER 4 LT	
2	30934700S	INGREDIENT CANISTER 4 LT	
3	30948700S	LID F CANISTER 4 LT	
4	30949100S	STIRRING WHEEL, MOUNT.	
5	39519700	STIRRING WHEEL	
6	09124306	RETAINING RING	
7	29595800	STIRRING EYE	
8	29609900	SPRING	
9	39271900	BRACE	
10	39586200	NUT FOR CANISTER	
11	39446600	COUPLING	
12	39586300	SEALING BUSHING	
13	39593600	FELT WASHER	
14	39634000	AUGER, REDUCED	
15	39633900	AUGER, FULL	
16	39587300	OUTLET SPOUT	
17	39587400	OUTLET PIPE	

---