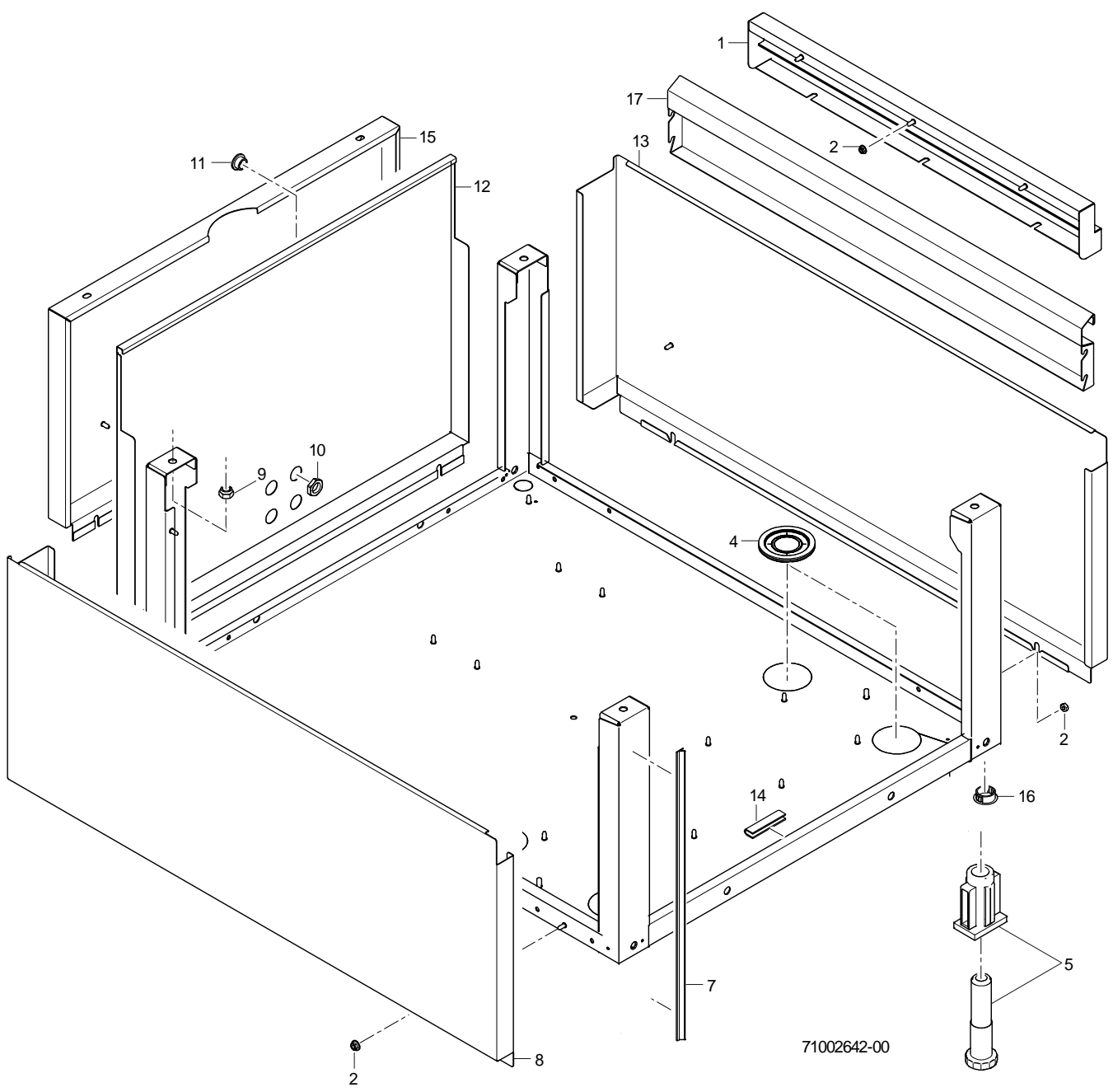


Spare parts list

MTF Loading zone

Contents

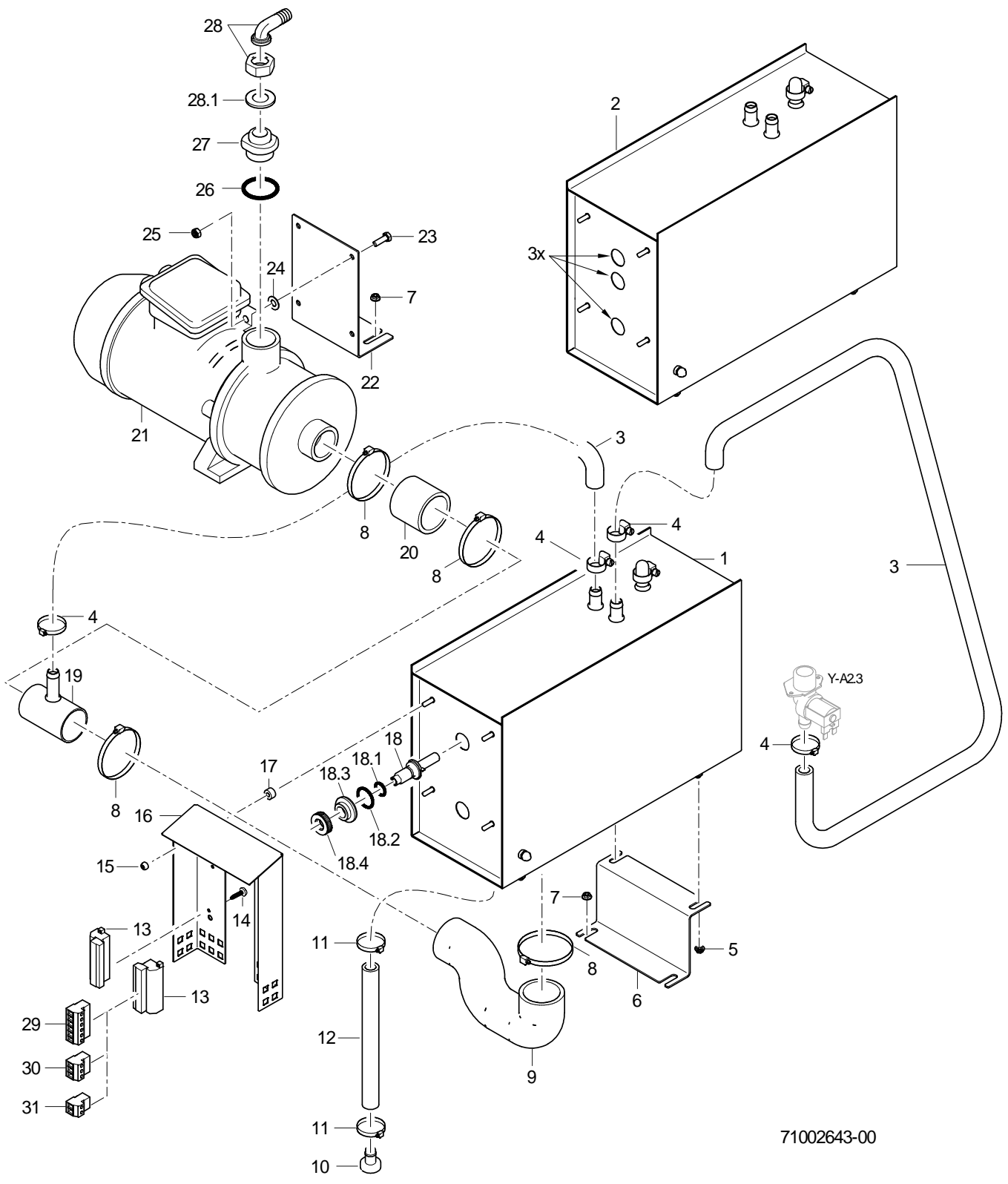
Base frame, covering	Page 1 - 2
Water mains isolator	Page 3 - 4
Housing	Page 5 - 6
Front orifice	Page 7 - 8
Roll guide	Page 9 - 10
Water drain	Page 11 - 12



MTF Loading zone

Base frame, covering

Item.	Designation	Parts no.	Pc.	Notes
1	Orifice 900 lg	71002444		Loading zone 900 mm; up to 07/2007
1	Orifice 1100 lg	71002449		Loading zone 1100 mm; up to 07/2007
1	Orifice 1300 lg	71002454		Loading zone 1300 mm; up to 07/2007
1	Orifice 1500 lg	71002459		Loading zone 1500 mm; up to 07/2007
2	Ratchet nut; M5	21 01 310	6	
4	Membrane spout; 6,0 X D57 X D73; D40	61004889	2	
5	Adjustable foot with threaded insert	61008117	4	
7	Rubber profile; 6,0 X 12 X 570	60003847		
8	Covering 900 lg	71002294		Loading zone 900 mm; up to 07/2007
8	Covering 1100 lg	71002346		Loading zone 1100 mm; up to 07/2007
8	Covering 1300 lg	71002388		Loading zone 1300 mm; up to 07/2007
8	Covering 1500 lg	71002418		Loading zone 1500 mm; up to 07/2007
8	Covering 900 lg	71002854		from 08/2007
9	Hexagonal nut; M8	21 05 306	4	
10	Hex nut; M16 X 1,5 X 5,0; SW22	31 10 161		
11	Locking screw with O-ring; M16 X 1,5 / IP68	31 10 191		
12	Covering on the front side	71002290		Loading zone 900 mm
13	Covering 900 lg	71002297		Loading zone 900 mm; up to 07/2007
13	Covering 1100 lg	71002347		Loading zone 1100 mm; up to 07/2007
13	Covering 1300 lg	71002391		Loading zone 1300 mm; up to 07/2007
13	Covering 1500 lg	71002421		Loading zone 1500 mm; up to 07/2007
14	Edge protection profile; U9,5 X 2,0	40 04 015		1000 mm; "By-the-metre" goods
15	Covering on the front side	71002743		Loading zone 1100/1300/1500 mm
16	Cap; D25,5	35 03 031	2	
17	Cover (900); 1,25 X 184,29 X 798,1	71002713		Loading zone 900 mm; from 08/2007
17	Cover (1100); 1,25 X 184,29 X 998,1	71002768		Loading zone 1100 mm; from 08/2007
17	Cover (1300); 1,25 X 184,29 X 1178,7	71002727		Loading zone 1300 mm; from 08/2007
17	Cover (1500); 1,25 X 184,29 X 1378,7	71002735		Loading zone 1500 mm; from 08/2007

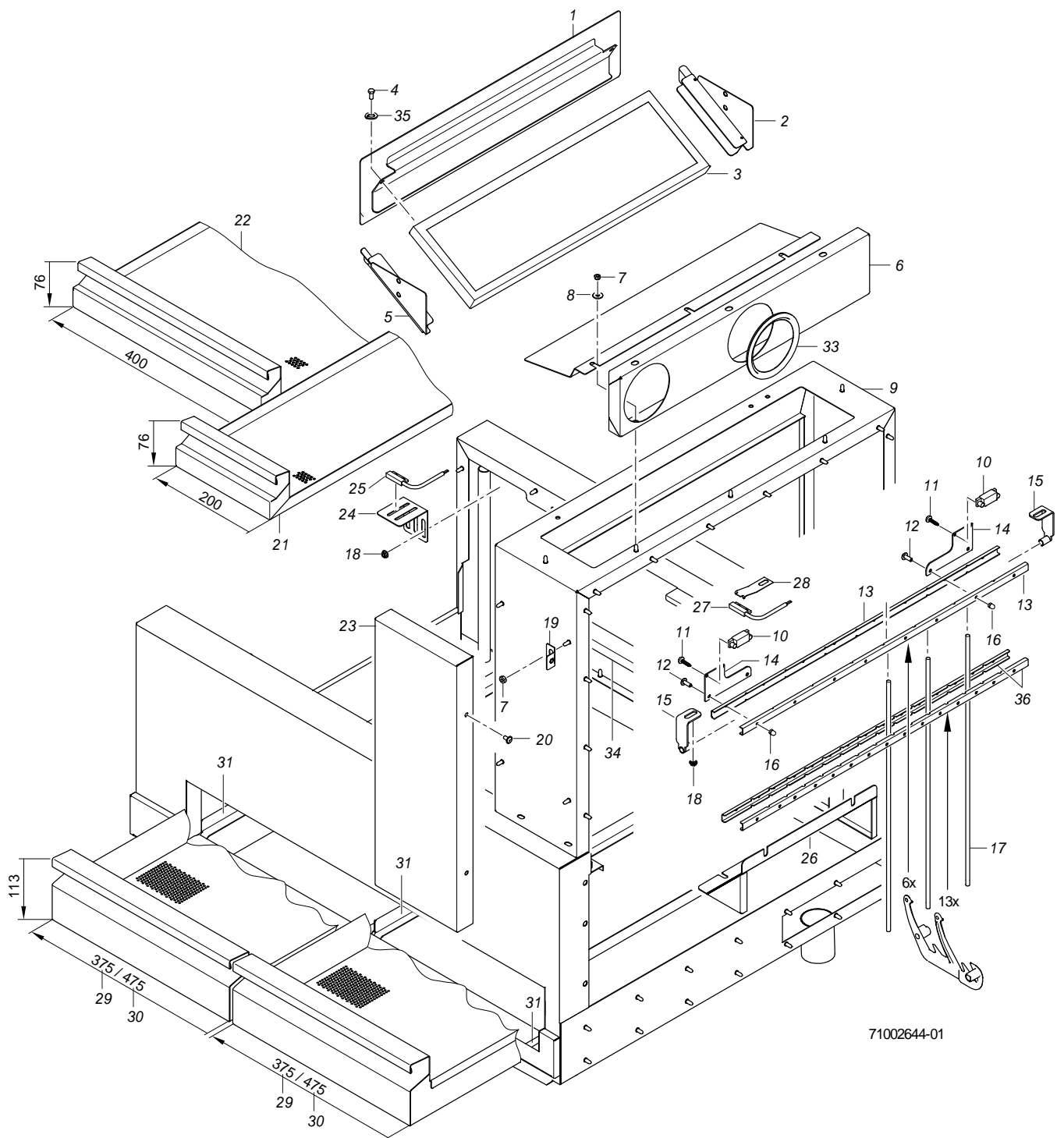


71002643-00

MTF Loading zone

Water mains isolator

Item.	Designation	Parts no.	Pc.	Notes
1	Water mains isolator	71002974		
2	Water mains isolator (emerg. op.)	71002975		For machines with "default mode" option
3	Hose bender; DN12,5 X 4,0	70004474		
4	Hose clamp; D12-22 X 9	30000711		
5	Ratchet nut; M6	21 01 311		
6	Holder; 2,0 X 152,57 X 155	70008400	2	
7	Ratchet nut; M5	21 01 310		
8	Hose clamp; D50-70 x 12	30001243		
9	Hose bend; DN44 X 5,0; 114 X 182	70008399		
10	Plug; D24 X D13,1 X 27	70007962		
11	Hose clamp; D12-22 X 9	30000711		
12	Industrial hose; DN13 X 3,5	40 02 035		200 mm; "By-the-metre" goods
13	Plug block, MVSTBU; 2,5/12-GB-5,08	31 09 248		
14	Sheet metal screw; ST 3,9 X 9,5	20 20 307		
15	Hexagonal nut self securing; M5	21 05 302		
16	Mounting plate; 1,25 X 221,7 X 267,21	70008497		
17	Spacer; D5,3 X D12 X 7	22 08 513		
18	Floating switch installation set	55 28 255		
18.1	O-ring; 11,11 X 1,78	27 07 079		
18.2	O-ring; 23 X 3,5	27 07 093		
18.3	Ring; D14,3 X D32 X 11	60003943		
18.4	Nut; M14 X 2, D26,8 X 8	60003989		
19	T-piece	71002395		
20	Hose; DN44 X 5,0; 83	71002554		
21	3/3 pressure increase pump; 200-254/346-440V; 50HZ	31 02 549		
21	3/3 pressure increase pump; 200-254/346-440V; 60HZ	31 02 550		
22	Holder; 2,0 X 110 X 210,79	70008402		
23	Hexagon screw; M6 X 25; A70	20 01 310		
24	Washer; D6,4 X D18 X 1,6	22 05 302		
25	Hexagonal nut; M6	21 05 304		
26	O-ring; 30 X 3	27 07 084		
27	Nipple; G 3/4" X 32; SW40	70006791		
28	Hose nipple, angled; D18	60002474		
28.1	Gasket; D16 X D24 X 3,0	83001022		
29	Plug MSTB; 2,5/6-ST-5,08	31 09 257		6-pole
30	Plug MSTB; 2,5/3-ST-5,08	31 09 250		3-pole
31	Plug MSTB; 2,5/2-ST-5,08	31 09 249		2-pole

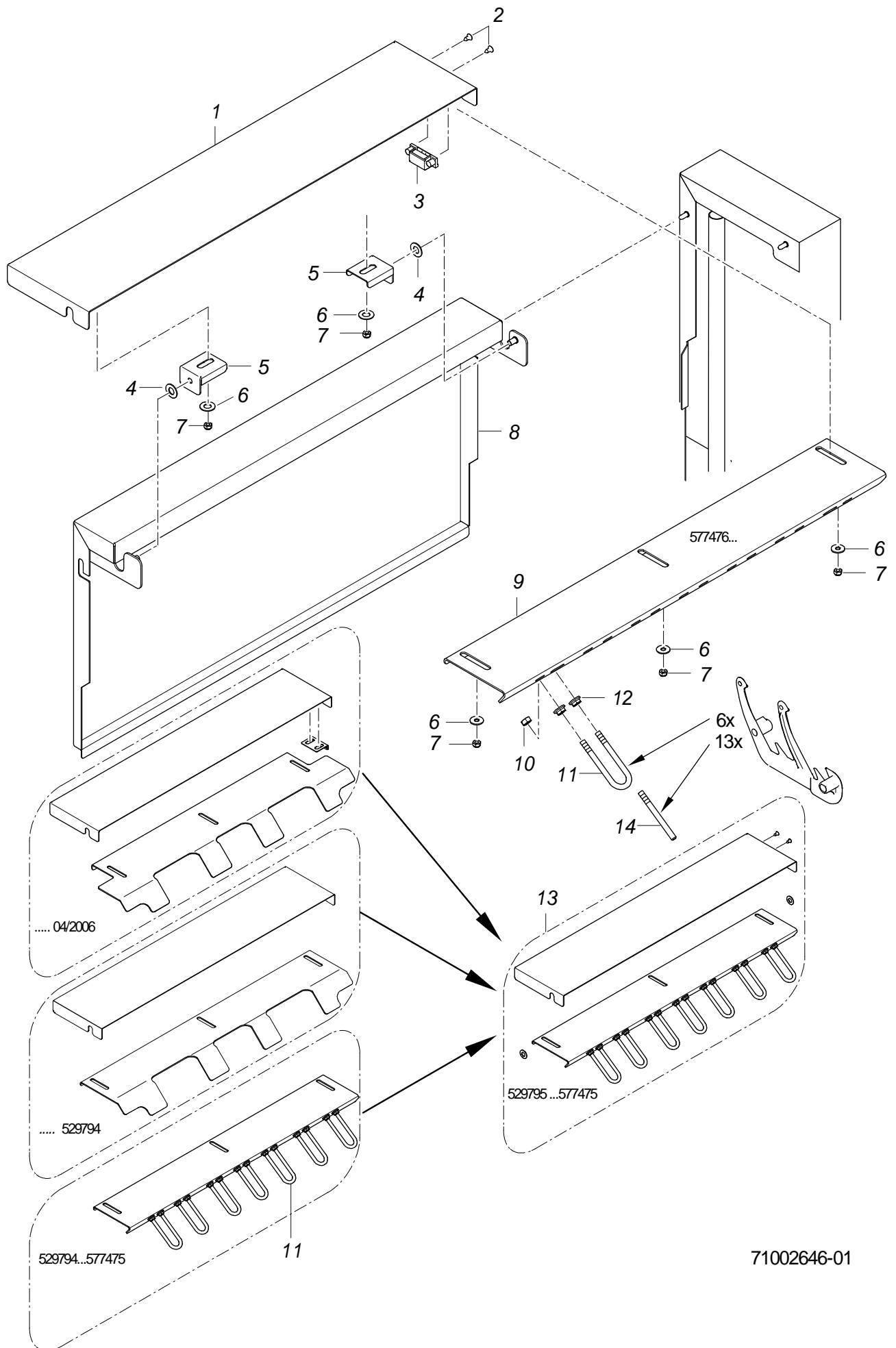


71002644-01

MTF Loading zone

Housing

Item.	Designation	Parts no.	Pc.	Notes
1	Orifice	70006739		
2	Guide profile, rear	70007842		
3	Grease filter; 20 X 150 X 500	28 13 122		
4	Hexagon screw; M5 X 12; A70	30012713	2	
5	Guide profile, front	70007841		
6	Frame; 1,25 X 154,7 X 573,7	70009132		from 09/2006
7	Hexagonal nut self securing; M5	21 05 302		
8	Washer; D5,3 X D15 X 1,2	22 05 301		
9	Splash box frame connector	71001798		
10	Magnet holder; 12,9 X 15 X 40	61006243	2	
11	Sheet metal screw; ST 3,9 X 9,5	20 20 307	2	
12	Lens head screw; M4 X 20	30008723	8	
13	U-profile; 1,0 X 21,7 X 604	71002947	2	
14	Magnet holder; 1,5 X 49 X 97	71001813	2	
15	Holder	71001810	2	
16	Dome head nut; M4	21 10 310	8	
17	Pipe	71003067	7	
18	Ratchet nut; M5	21 01 310		
19	Lug	70006597	4	
20	Raised head screw with flange; M5 X 12 MIT FLANSCH	20 10 006	4	
21	Loading zone filter cassette (200)	71003436		up to 07/2007
22	Loading zone filter cassette (400)	71003434		up to 07/2007
23	Loading zone covering; 1,0 X 258,49 X 552,74	71001644		
24	Fixing bracket; 1,25 X 50 X 117,3	71002258		
25	Solenoid switch; 32 X 14,9 X 6,9;5000MM	31 24 273		
26	Housing; 1,5 X 148,48 X 388,24	71002240		
27	Solenoid switch; 32 X 14,9 X 6,9;1350MM	31 24 272		
28	Holder; 0,8 X 19 X 65	70007658		in the switch in the switch box
29	Loading zone filter cassette (475); 1,0 x 612,4 x 1014,2	71003568	2	Loading zone 900 mm; from 08/2007
29	Loading zone filter cassette (475); 1,0 x 612,4 x 1014,2	71003568	3	Loading zone 1300 mm; from 08/2007
29	Loading zone filter cassette (475); 1,0 x 612,4 x 1014,2	71003568	1	Loading zone 1500 mm; from 08/2007
30	Loading zone filter cassette (375); 1,0 x 512,4 x 1014,2	71003566	2	Loading zone 1100 mm; from 08/2007
30	Loading zone filter cassette (375); 1,0 x 512,4 x 1014,2	71003566	2	Loading zone 1500 mm; from 08/2007
31	Elbow; 1,25 X 34,85 X 737,15	71002711	4	from 08/2007
33	Insulating sleeve; D108	70007927		from 09/2006
34	Cover (900); 1,25 X 184,29 X 798,1	71002713		Loading zone 900 mm; from 08/2007
34	Cover (1100); 1,25 X 184,29 X 998,1	71002768		Loading zone 1100 mm; from 08/2007
34	Cover (1300); 1,25 X 184,29 X 1178,7	71002727		Loading zone 1300 mm; from 08/2007
34	Cover (1500); 1,25 X 184,29 X 1378,7	71002735		Loading zone 1500 mm; from 08/2007
35	Spring washer; B5	23 03 302	2	
36	U-profile; 1,0 X 21,74 X 604	71003090	2	

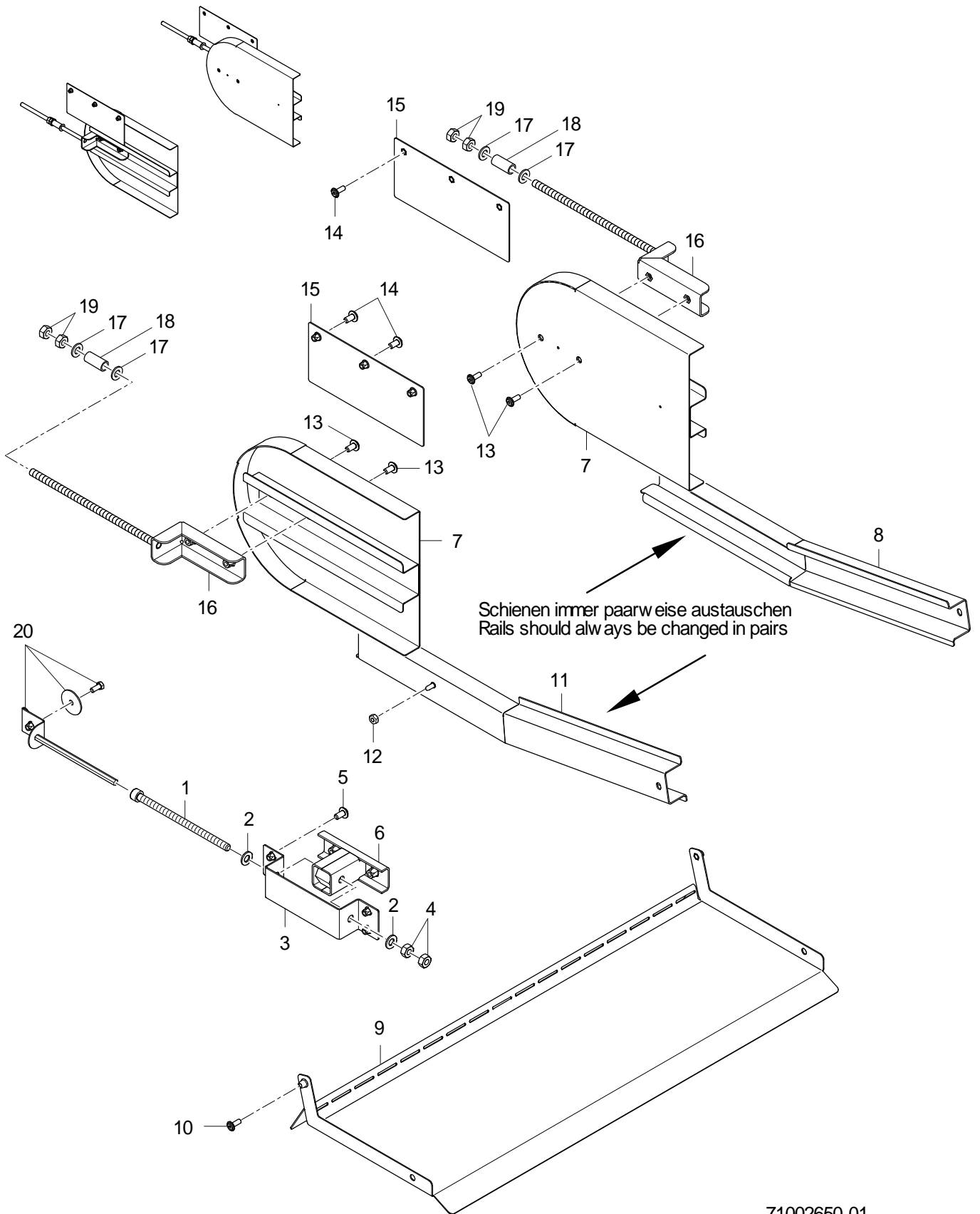


71002646-01

MTF Loading zone

Front orifice

Item.	Designation	Parts no.	Pc.	Notes
1	Cover	71002594		from machine no.: 529 795
2	Sheet metal screw; ST 3,9 X 13	20 21 302	2	
3	Magnet holder; 12,9 X 15 X 40	61006243		
4	Washer; D8,5 X D17 X 1,0	22 08 515	2	
5	Bearing; 1,25 X 48,7 X 63,6	71001859	2	
6	Washer; D5,3 X D15 X 1,2	22 05 301	5	
7	Hexagonal nut self securing; M5	21 05 302	5	
8	Front metal sheet	71001906		
9	Slide; 2,0 X 123,14 X 600	71003076		from machine no.: 577 476
10	Hexagonal nut; M6	21 05 304	14	
11	Bracket; D6 X 149,7	71002561	7	
12	Ratchet nut; M6	21 01 311	14	
13	Set of replacement slides	71002647		up to machine no.: 577 475
14	Pin for rake; D6 X 65; M6	71003080	14	

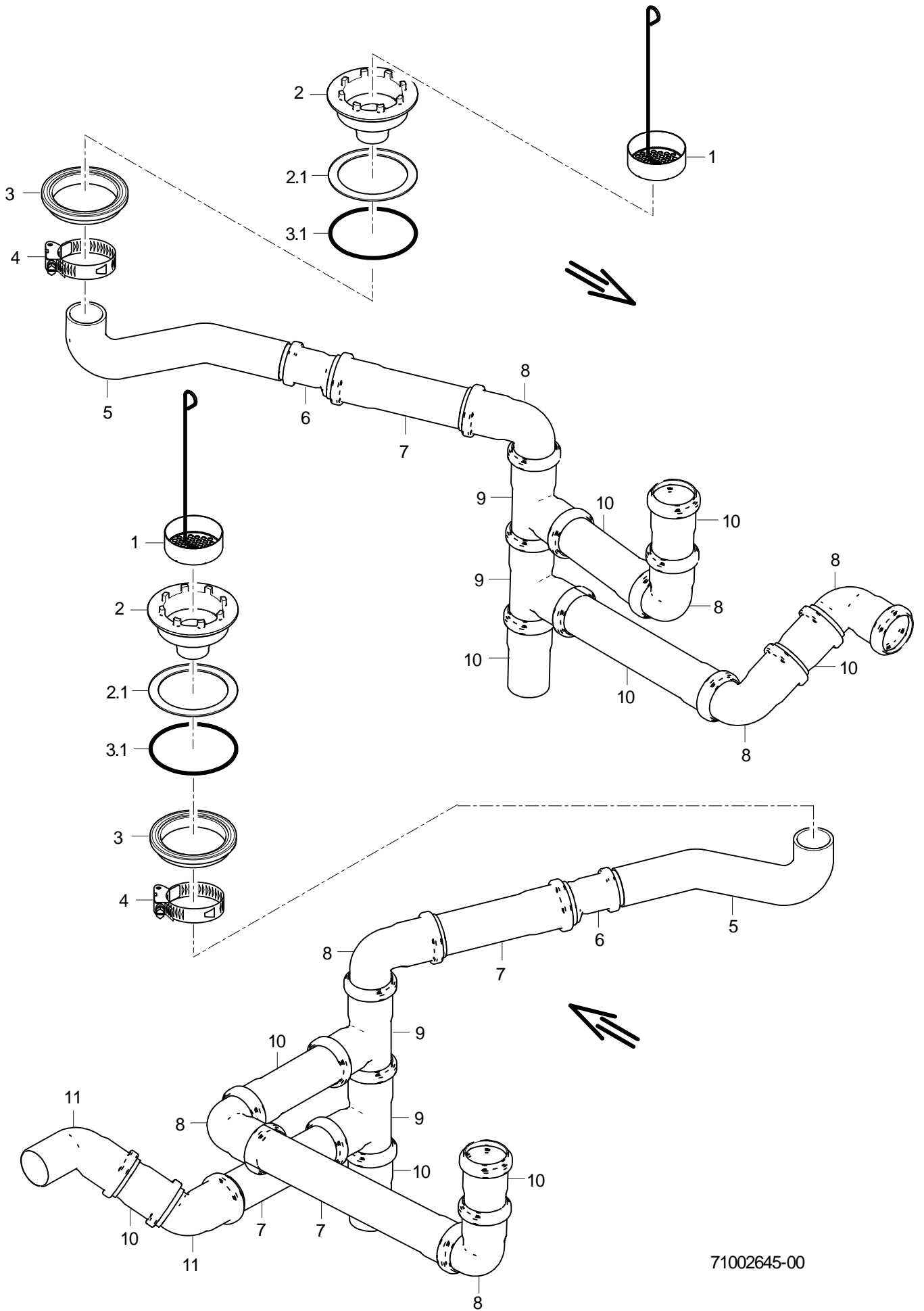


71002650-01

MTF Loading zone

Roll guide

Item.	Designation	Parts no.	Pc.	Notes
1	Cylindrical screw; M8 X 140	71003000	2	up to machine no.: 1001460
2	Washer; D8,4 X D17 X 1,6	22 01 303	4	up to machine no.: 1001460
3	Bracket	71001774	2	up to machine no.: 1001460
4	Hexagonal nut; M8	21 01 305	4	up to machine no.: 1001460
5	Raised head screw with internal hexagon; M5 X 14 MIT FLANSCH	20 10 314	8	up to machine no.: 1001460
6	Support	71001566	2	up to machine no.: 1001460
7	Roll guide	71003429	2	
8	Rail 1 (900)	71001953		Loading zone 900 mm
8	Rail 1 (1100)	71003266		Loading zone 1100 mm
8	Rail 1 (1300)	71003272		Loading zone 1300 mm
8	Rail 1 (1500)	71003278		Loading zone 1500 mm
9	Deflector plate	71001788		
10	Raised head screw with flange; M5 X 12 MIT FLANSCH	20 10 006	4	
11	Rail 2 (900)	71001951		Loading zone 900 mm
11	Rail 2 (1100)	71003269		Loading zone 1100 mm
11	Rail 2 (1300)	71003275		Loading zone 1300 mm
11	Rail 2 (1500)	71003281		Loading zone 1500 mm
12	Hexagonal nut self securing; M5	21 05 302	2	
13	Lens head screw with internal hexagon; M6 X 12	20 10 002	4	
14	Lens head screw; M5 X 10	20 10 306	4	
15	Guard plate	71002272	2	
16	Angle of traction	71003129	2	from machine no.: 1001461
17	Washer; D8,4 X D17 X 1,6	22 01 303	4	from machine no.: 1001461
18	Distance bushing; D9 X D12 X 26	71003130	2	from machine no.: 1001461
19	Hexagonal nut; M8	21 01 305	4	from machine no.: 1001461
20	Safety bracket	71003206		up to machine no.: 1001460



71002645-00

MTF Loading zone

Water drain

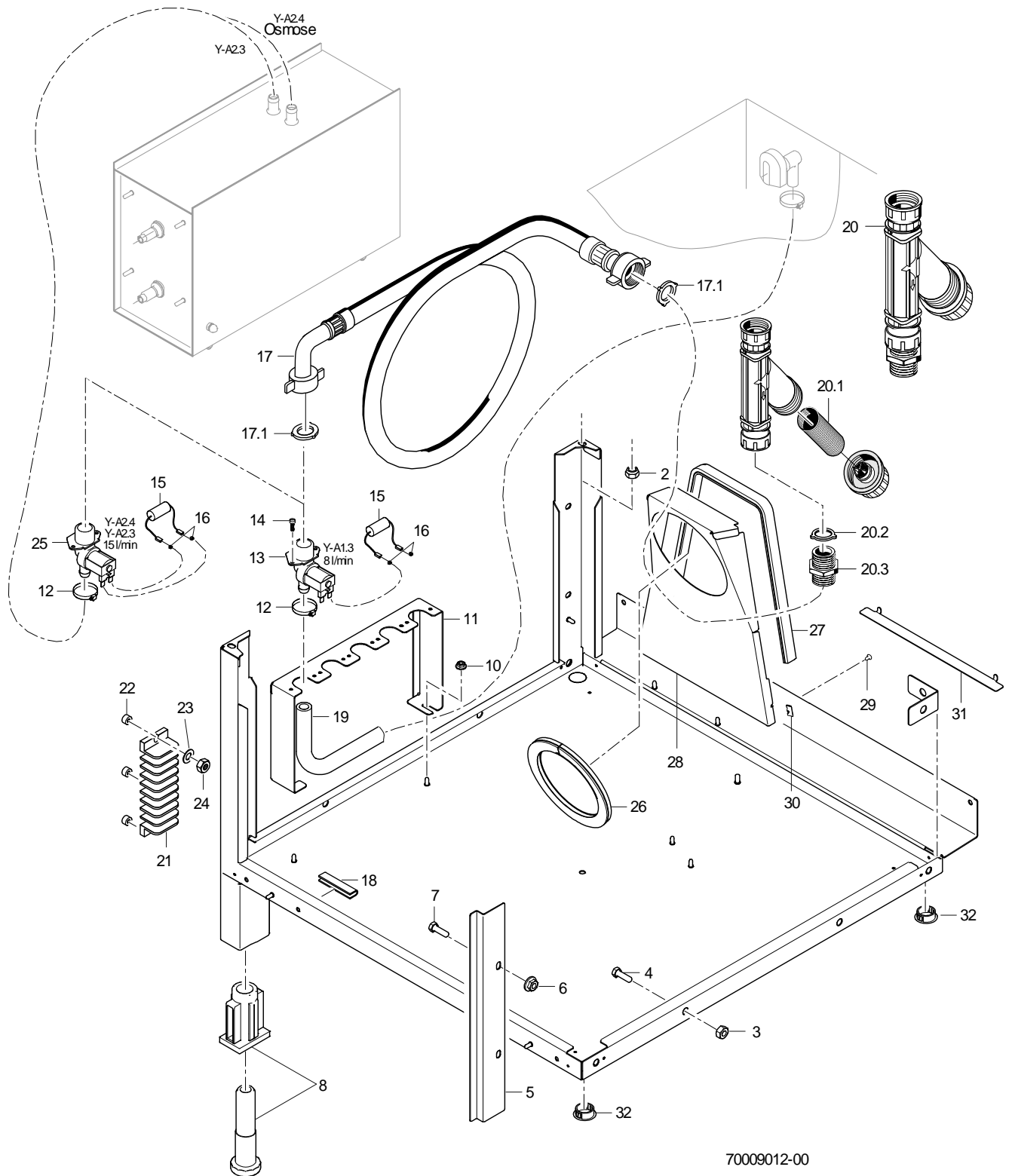
Item.	Designation	Parts no.	Pc.	Notes
1	Sump filter; D70	65005555		
2	Sump drain set	61006178		
2.1	Gasket; D80 X D102 X 2,0	27 01 007		
3	Lock nut; S85 X 4; D104	61005268		
3.1	O-ring; 91 X 3,5	27 07 075		
4	Hose clamp; D50-70 x 12	30001243		
5	Hose bender; DN40 X 4,0	61005182		
6	HT reducer; DN50 X DN40	30 15 521		
7	HT pipe; DN50 X 750	30 15 546		adapt
8	HT bend; DN50; 87GRAD	30 15 508		
9	HT branch pipe; DN50	30 15 516	2	
10	HT pipe; DN50 X 250	30 15 518		adapt
11	HT bend; DN50; 67GRAD	30 15 547		

Spare parts list

MTF Pre-wash zone (700 mm)

Contents

Base frame	Page 1 - 2
Water drain, Mediamat Cyclo	Page 3 - 4
Wash pump	Page 5 - 6
Wash system, bottom	Page 7 - 8
Wash system, top	Page 9 - 10
Heat exchanger	Page 11 - 12
Door	Page 13 - 14
Housing, Tank heating	Page 15 - 18
Filter system	Page 19 - 20
Panelling	Page 21 - 22

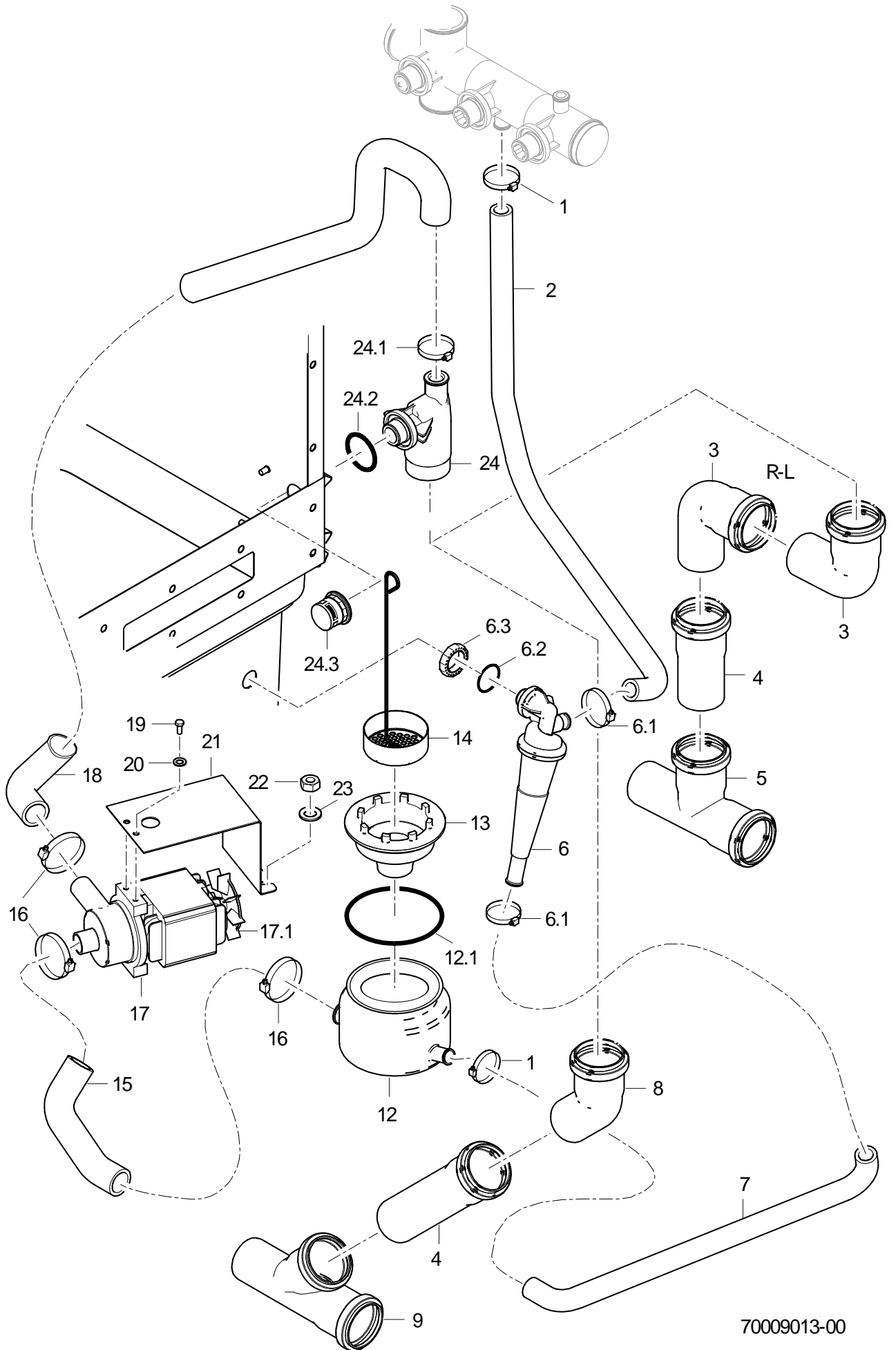


70009012-00

MTF Pre-wash zone (700 mm)

Base frame

Item.	Designation	Parts no.	Pc.	Notes
2	Hexagonal nut; M6	21 05 304	2	
3	Hexagonal nut; M8	21 05 306	4	
4	Hexagon screw; M8 X 16; A70	20 01 302	4	
5	Splash plate; 1,25 X 63,7 X 344	70008365		
6	Ratchet nut; M6	21 01 311		
7	Hexagon screw; M6 X 12; A70	20 01 321		
8	Adjustable foot with threaded insert	61008117	2	
10	Ratchet nut; M5	21 01 310	2	
11	5x solenoid valve holder; 1,5 X 59,83 X 664,33	70008005		
12	Hose clamp; D12-22 X 9	30000711		
13	Solenoid valve 8l; 200-240V/50-60HZ/+-10%	60004251		
14	Countersunk screw; M4 X 8	20 10 309		
15	RC element; 0,15 MICRO F; 3,3 KOHM	31 13 114		
16	Fast-on piggy-back plug	31 12 004	2	
17	WATER SUPPLY HOSE; DN13 X 3,5; 2500	40 02 060		
17.1	Gasket; D16 X D24 X 3,0	83001022	2	
18	Edge protection profile; U9,5 X 2,0	40 04 015		600 mm; "By-the-metre" goods
19	Hose bender; DN12,5 X 4,0	70004474		
20	Dirt trap; 150 MICROMETER	80002153		
20.1	Strainer; D27 X 67 X 150 MICROMETER	80002728		
20.2	Gasket; D16 X D24 X 3,0	83001022	2	
20.3	DOUBLE NIPPLE; G 3/4" X 40; SW30	80002167		
21	Terminal strip; 16-POLIG	31 09 154		
22	Spacer; D5,3 X D12 X 7	22 08 513	3	
23	Washer; D4,3 X D12 X 1,0	22 05 300	2	
24	Hexagonal nut self securing; M4	21 05 300	2	
25	15 l solenoid valve set; 200-240V/50-60HZ/+-10%	60004148		
26	Sealing profile; 1,0 - 2,0MM	40 04 006		460 mm; "By-the-metre" goods
27	Sealing profile; 1,0 - 2,0MM	40 04 006		610mm; "By-the-metre" goods
28	Air baffle; 1,0 X 304,82 X 376,26	70009750		from machine no.: 543 980
29	Sheet metal screw; ST 3,9 X 9,5	20 20 313	2	
30	Plate nut; B 3,9	21 17 100	2	
31	Covering angle; 1,0 X 26,01 X 265	70009859		
32	Cap; D25,5	35 03 031	2	

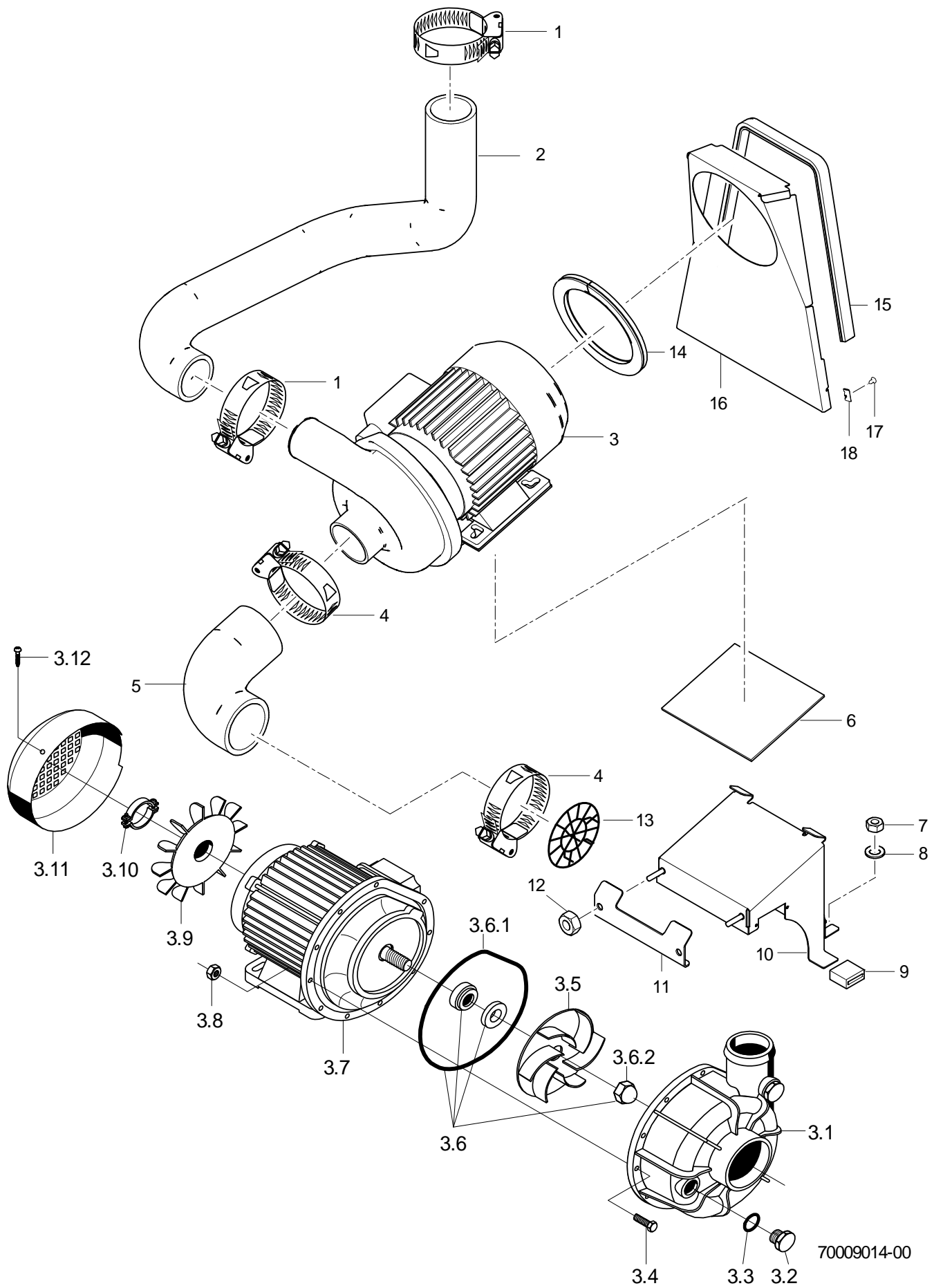


70009013-00

MTF Pre-wash zone (700 mm)

Water drain, Mediamat Cyclo

Item.	Designation	Parts no.	Pc.	Notes
1	Hose clamp; D20-30 X 12	28 02 109		
2	Moulded hose; DN15 X 4; 90 Grad; 1637	70005415		
3	HT bend; DN50; 87GRAD	30 15 508	2	
4	HT pipe; DN50 X 250	30 15 518		
5	HT branch pipe; DN50	30 15 516		
6	Mediamat Cyclo	61005184		
6.1	Hose clamp; D12-22 X 9	30000711	2	
6.2	O-ring; 20 X 3,5	27 07 040		
6.3	Tank inlet set; G 1/2" X 8; SW27	61005339		
7	Moulded hose; DN15 X 4; 90 Grad; 1637	70005415		
8	HT bend; DN50; 45GRAD	30 15 542		
9	HT branch pipe; DN50 X DN50, 45GRAD	30 15 554		
12	Sump pot	61005186		
12.1	O-ring; 91 X 3,5	27 07 075		
13	Sump drain set	61006178		
14	Sump filter; D70	65005555		
15	Hose bender; DN24 X 4,0	70006094		
16	Hose clamp; D32-52 X 12	28 02 110		
17	3/0 lye pump; 200-240V/50-60HZ	31 02 410		
17.1	Fan blade	31 02 431		
18	Moulded hose; DN24 X 4; 997	70006832		
19	Hexagon screw; M6 X 10; A70	30002732	2	
20	Spring washer; B6	23 03 300	2	
21	Holder; 1,5 X 110,84 X 253,66	61005154		
22	Hexagonal nut self securing; M5	21 05 302	2	
23	Washer; D5,3 X D15 X 1,2	22 05 301	2	
24	Outlet	61005185		
24.1	Hose clamp; 25 - 40MM / 12MM	30002612		
24.2	O-ring; 29,5 X 4,5	27 07 008		
24.3	Cap; G 3/4" X 24; SW32	61004974		



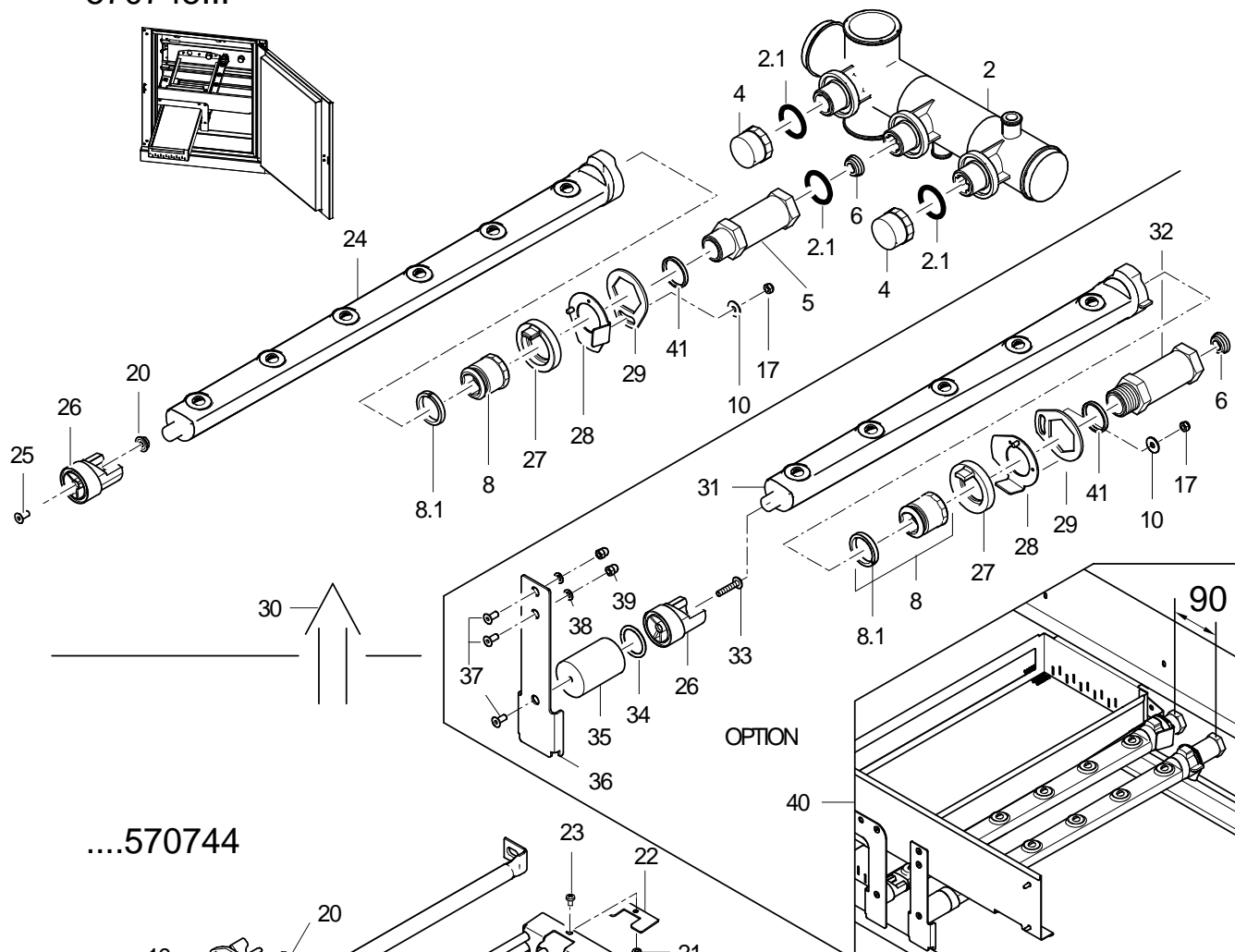
70009014-00

MTF Pre-wash zone (700 mm)

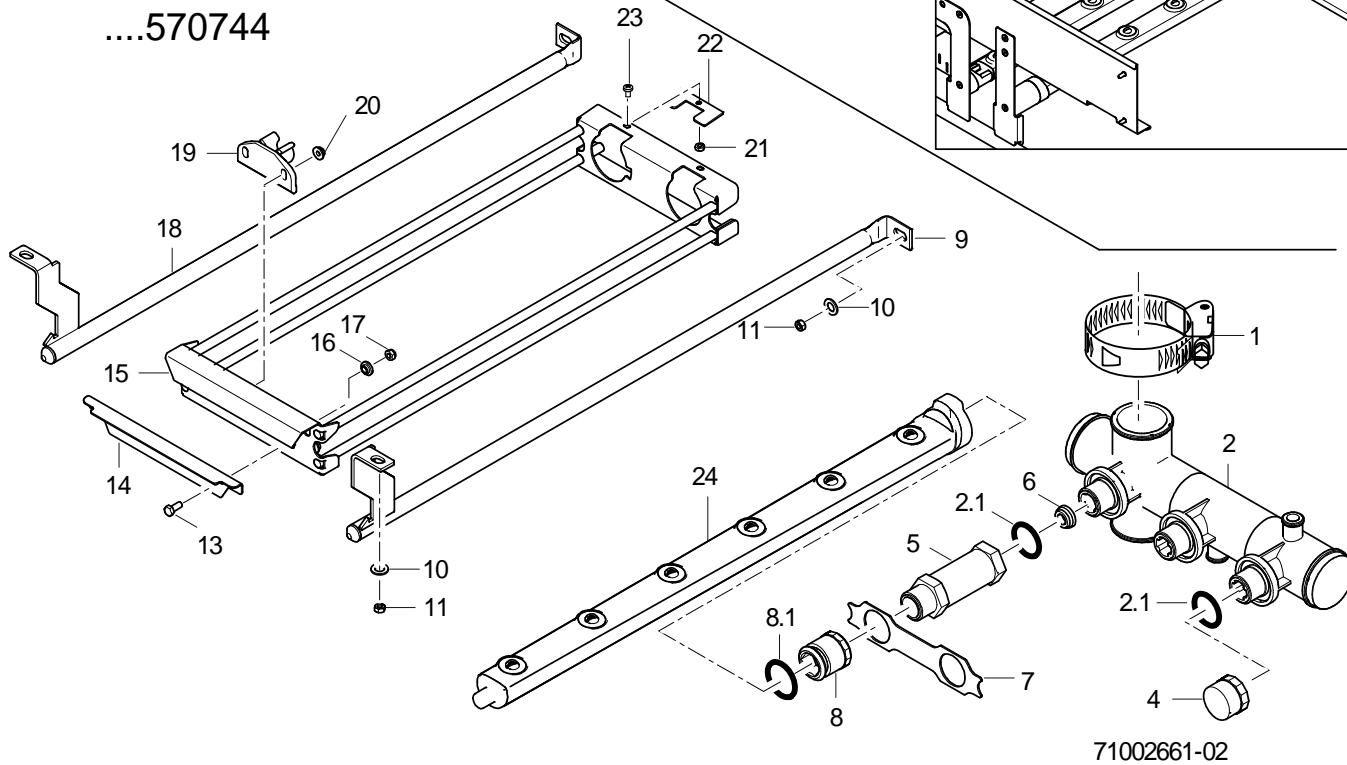
Wash pump

Item.	Designation	Parts no.	Pc.	Notes
1	Hose clamp; D50-70 x 12	30001243	2	
2	Hose bender, L-R; DN50 X 6,0	70006053		left - right
2	Hose bender, R-L; DN50 X 6,0	70006831		right - left
3	Pump 1.1 kW 9/1; 230V/400V/3/50HZ; IP44	31 02 411		
3	Pump 1.1 kW; 230V/400V/3/60HZ; IP44	31 02 412		
3	; 200V/346V/3/50HZ; IP44	31 02 556		
3	; 200V/346V/3/60HZ; IP44	31 02 554		
3	Pump 1.1 kW 9/1; 254V/440V/3/60HZ; IP44	31 02 416		
3.1	Pump housing	31 02 204		
3.2	Dummy plug; G 1/2" X 20,5	35 01 108		
3.3	O-ring; 20 X 3,5	27 07 040		
3.4	Hexagon screw; M4 X 25; 8.8	20 01 020		
3.5	Pump impeller; D111	31 02 273		for 50 Hz pumps
3.5	Pump impeller; D96	31 02 274		for 60 Hz pumps
3.6	Gasket set; 1,1/1,7/1,85/0,73 KW	80002670		
3.6.1	O-ring; 158,35 X 3,53	31 02 209		
3.6.2	Dome head nut; M8	21 10 305		
3.7	Pump cover	31 02 208		
3.8	Hexagonal nut; M4	21 01 302		
3.9	Fan blade	31 02 211		
3.10	Fixing clamp	31 02 218		
3.11	Fan cover	31 02 212		
3.12	Lens head screw; M4 X 8	30011585		
4	Hose clamp; D62-82 X 12	28 02 137	2	
5	Hose elbow 90°; DN62 X 7,0; 130 X 150	40 03 027		
6	Support; 3,0 X 130 X 154	70006821		
7	Hexagonal nut self securing; M5	21 05 302		
8	Washer; D5,3 X D15 X 1,2	22 05 301	2	
9	Buffer; 14 X 28 X 31	61005067	2	
10	Console	70008523		
11	Holder; 2,0 X 60,11 X 154	70006822		
12	Hexagonal nut; M6	21 05 304	2	
13	Suction sieve; D72	62001956		
14	Sealing profile; 1,0 - 2,0MM	40 04 006		460 mm; "By-the-metre" goods
15	Sealing profile; 1,0 - 2,0MM	40 04 006		610mm; "By-the-metre" goods
16	Air baffle; 1,0 X 304,82 X 376,26	70009750		from machine no.: 543 980
17	Sheet metal screw; ST 3,9 X 9,5	20 20 313	2	
18	Plate nut; B 3,9	21 17 100	2	

570745...



...570744

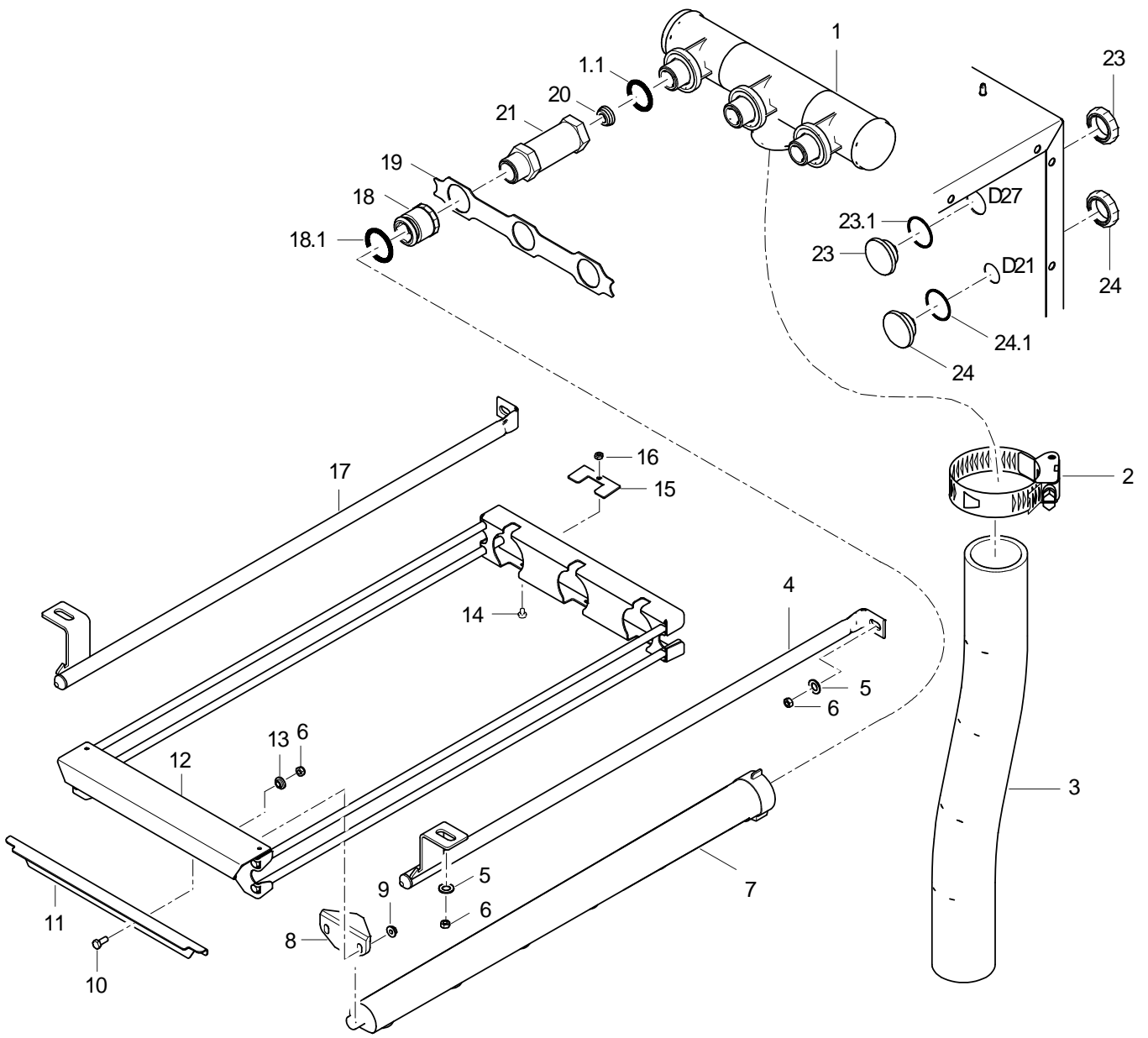


71002661-02

MTF Pre-wash zone (700 mm)

Wash system, bottom

Item.	Designation	Parts no.	Pc.	Notes
1	Hose clamp; D50-70 x 12	30001243		
2	Wash distributor, bottom, set; 294,5 LG	70008918		
2.1	O-ring; 29,5 X 4,5	27 07 008	3	
4	Hexagon cap nut; D25 X 25; RD 26X1/8	70005773		
5	Extension piece; RD26X1/8X 53; SW32	71001455	2	
6	Restrictor; D11 X D23,2 X 9,0	70006466	2	
7	Metal sheet; 1,5 X 36 X 158	70008090		up to machine no.: 570 744
8	Locking nut	60002785	2	
8.1	Seal ring; D26 X D32,5 X 5,0	70009122		
9	Guide tube, right	71001778		up to machine no.: 570 744
10	Washer; D5,3 X D15 X 1,2	22 05 301		
11	Hexagonal nut self securing; M5	21 05 302		
13	Raised head screw with flange; M5 X 12 MIT FLANSCH	20 10 006	2	up to machine no.: 570 744
14	Slide, bottom; 1,5 X 40,7 X 182	70008085		up to machine no.: 570 744
15	Welded wash arm holder	71002020		up to machine no.: 570 744
16	Bushing; D8 X 4; D12	70007667	2	up to machine no.: 570 744
17	Hexagonal nut self securing; M5	21 05 302	2	up to machine no.: 570 744
18	Guide tube, left	71001779		up to machine no.: 570 744
19	Snapper; 23,5 X 32 X 64	70008382	2	up to machine no.: 570 744
20	Ratchet nut; M5	21 01 310	4	
21	Hexagonal nut; M4	21 01 302	2	up to machine no.: 570 744
22	Adjusting plate; 1,5 X 23 X 50	70006436	2	up to machine no.: 570 744
23	Lens head screw; M4 X 6 MIT TORX 20	30008668	2	up to machine no.: 570 744
24	Wash arm with 6 jets; 568 LG	30002022	1	up to machine no.: 1095258
24	Washarm with 6 jets	70011210	1	from machine no.: 1095259
25	Countersunk screw; M5 X 25	20 03 303		from machine no.: 570 745
26	Wash arm holder; D36 X 45,5	61004969		from machine no.: 570 745
27	Locking ring; D49 X 19,5	60002652		from machine no.: 570 745
28	Adjusting disc	70011445		from machine no.: 570 745
29	Adjusting disc; 2,5 X 50 X 59	70007670		from machine no.: 570 745
30	Optimisation of pre-wash zone MTF	71003068		up to machine no.: 570 744
31	Wash arm with 5 jets; 472 LG	30002021		
32	Extension piece; RD26X1/8X95,50; SW32	70003085		
33	Lens head screw with hexagon socket; M5 X 25 MIT FLANSCH	20 10 372		
34	O-ring; 28 X 2,5	27 07 049		
35	Spacer; D36 X 52,5	71003256		
36	Bracket; 2,0 X 64,57 X 186	71003243		
37	Countersunk screw; M5 X 12	20 08 024	3	
38	Washer; D5,3 X D10 X 1,0	22 01 300	2	
39	Dome head nut; M5	21 10 308	2	
40	Kit wash arm P-Zone MT	71003287		
41	Washer; D26,2 X D29,8 X 3,0	70011413		from machine no.: 1095259

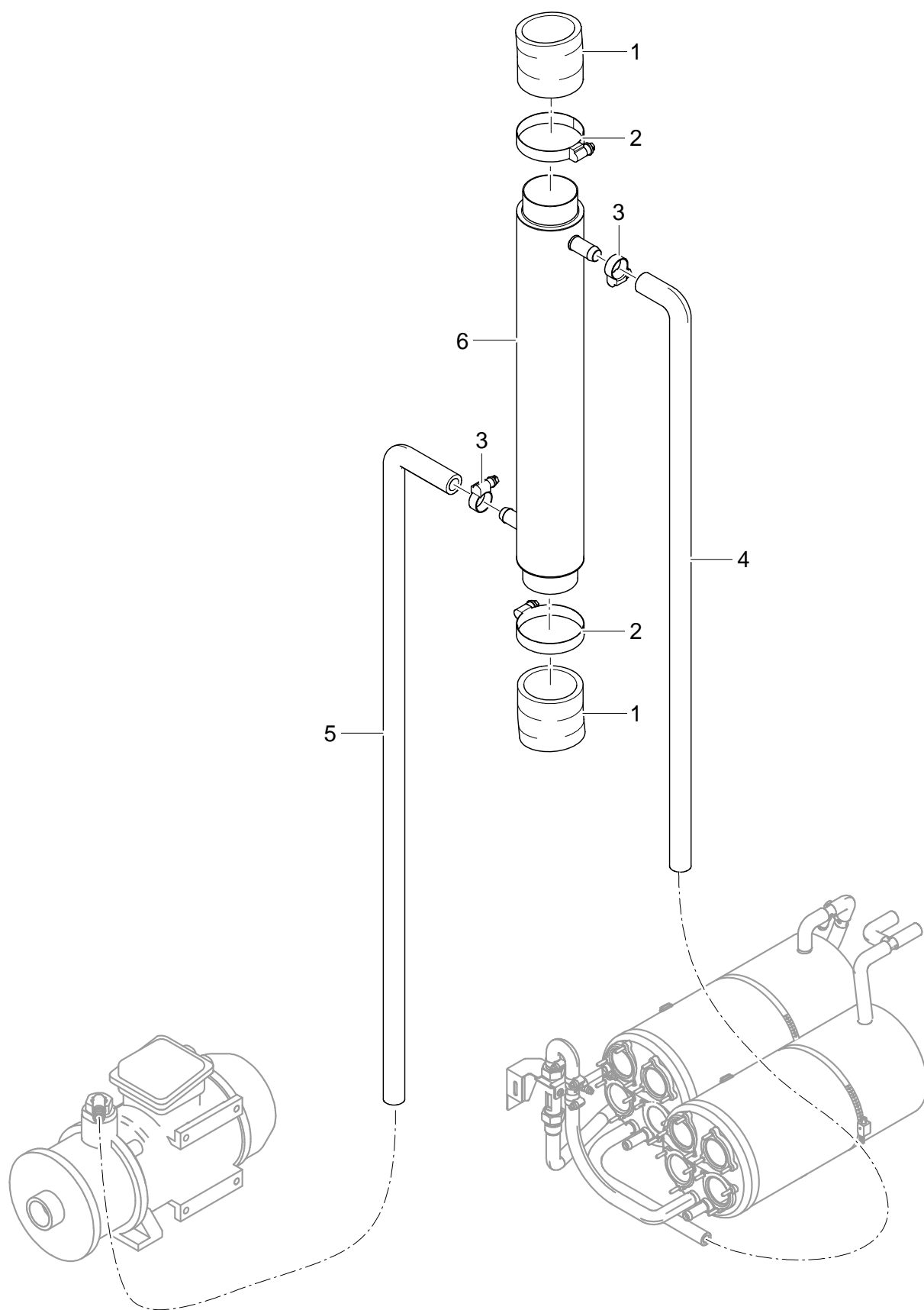


70009016-00

MTF Pre-wash zone (700 mm)

Wash system, top

Item.	Designation	Parts no.	Pc.	Notes
1	Wash distributor, top, set; 276 LG	70008917		
1.1	O-ring; 29,5 X 4,5	27 07 008	3	
2	Hose clamp; D50-70 x 12	30001243		
3	Industrial hose; DN50 X 6,0	40 02 006		520 mm; "By-the-metre" goods
4	Guide tube, right	70008026		
5	Washer; D5,3 X D15 X 1,2	22 05 301		
6	Hexagonal nut self securing; M5	21 05 302		
7	Wash arm with 6 jets; 568 LG	30002022	3	up to machine no.: 1095258
7	Washarm with 6 jets	70011210	3	from machine no.: 1095259
8	Snapper; 23,5 X 32 X 64	70008382	3	
9	Ratchet nut; M5	21 01 310	6	
10	Raised head screw with flange; M5 X 12 MIT FLANSCH	20 10 006	2	
11	Slide; 1,5 X 37,7 X 276	70007664		
12	Welded wash arm holder	70008017		
13	Bushing; D8 X 4; D12	70007667	2	
14	Lens head screw; M4 X 6 MIT TORX 20	30008668	3	
15	Adjusting plate; 1,5 X 23 X 50	70006436	3	
16	Hexagonal nut; M4	21 01 302	3	
17	Guide tube, left	70008025		
18	Locking nut	60002785	3	
18.1	Seal ring; D26 X D32,5 X 5,0	70009122		
19	Metal sheet; 1,5 X 36 X 248	70007189		
20	Restrictor; D11 X D23,2 X 9,0	70006466	3	
21	Extension piece; RD26X1/8X 53; SW32	71001455	3	
23	Dummy plug; G 3/4" X 21,7;SW10;SW5	70005109	3	
23.1	O-ring; 26 X 2,5	27 07 062		
24	Dummy plug; G 1/2" X 21,4;SW10;SW5	70004912		
24.1	O-ring; 20 X 2,5	27 07 004		

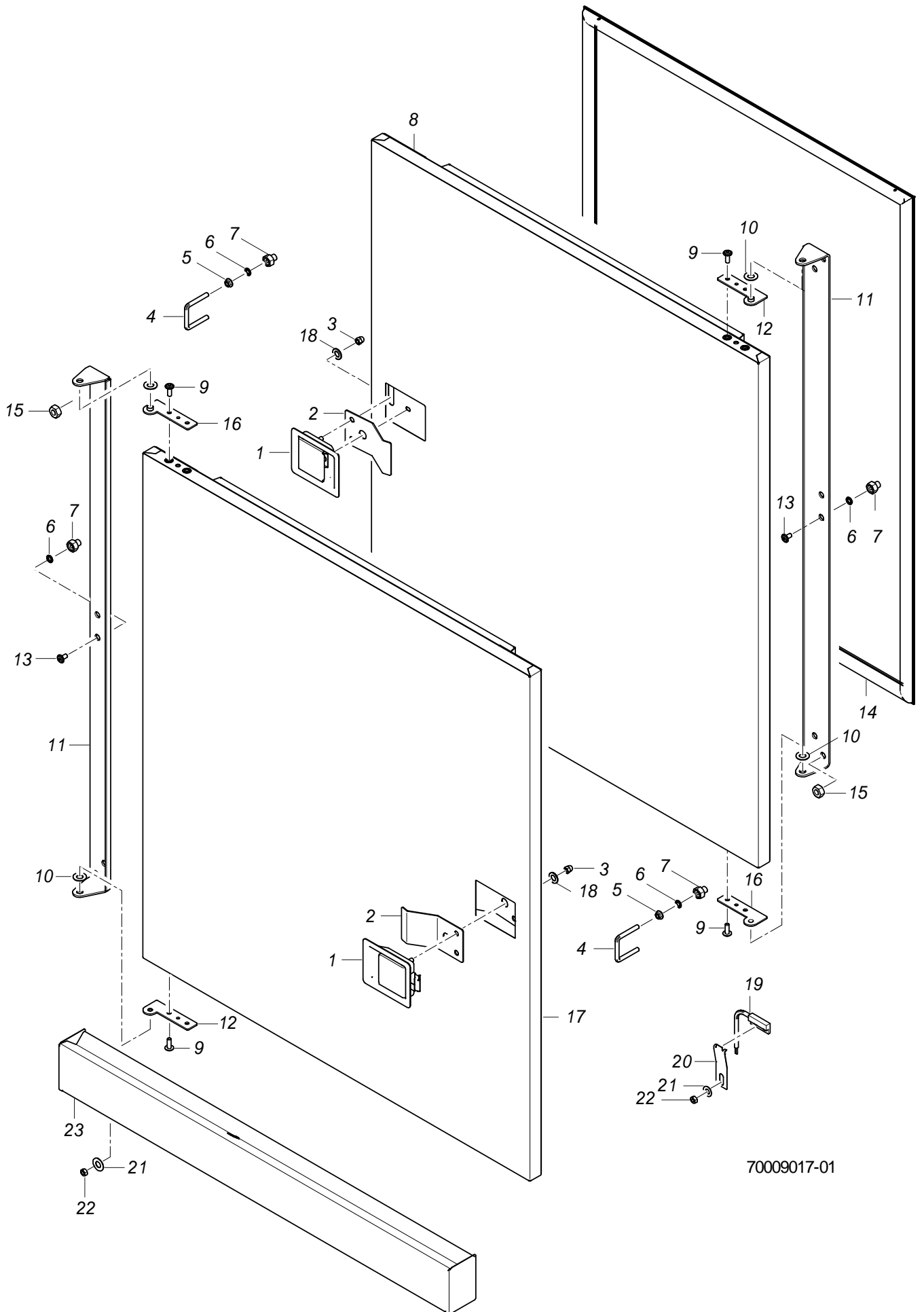


70011791-00

MTF Pre-wash zone (700 mm)

Heat exchanger

Item.	Designation	Parts no.	Pc.	Notes
1	Industrial hose; DN50 X 6,0	40 02 006		57 mm; "By-the-metre" goods
2	Hose clamp; D50-70 x 12	30001243	2	
3	Hose clamp; D12-22 X 9	30000711	2	
4	Hose bender; DN12,5 X 4,0	70004474		
5	Moulded hose; DN12,5 X 4,0	70010905		
6	Heat exchanger	70011610		

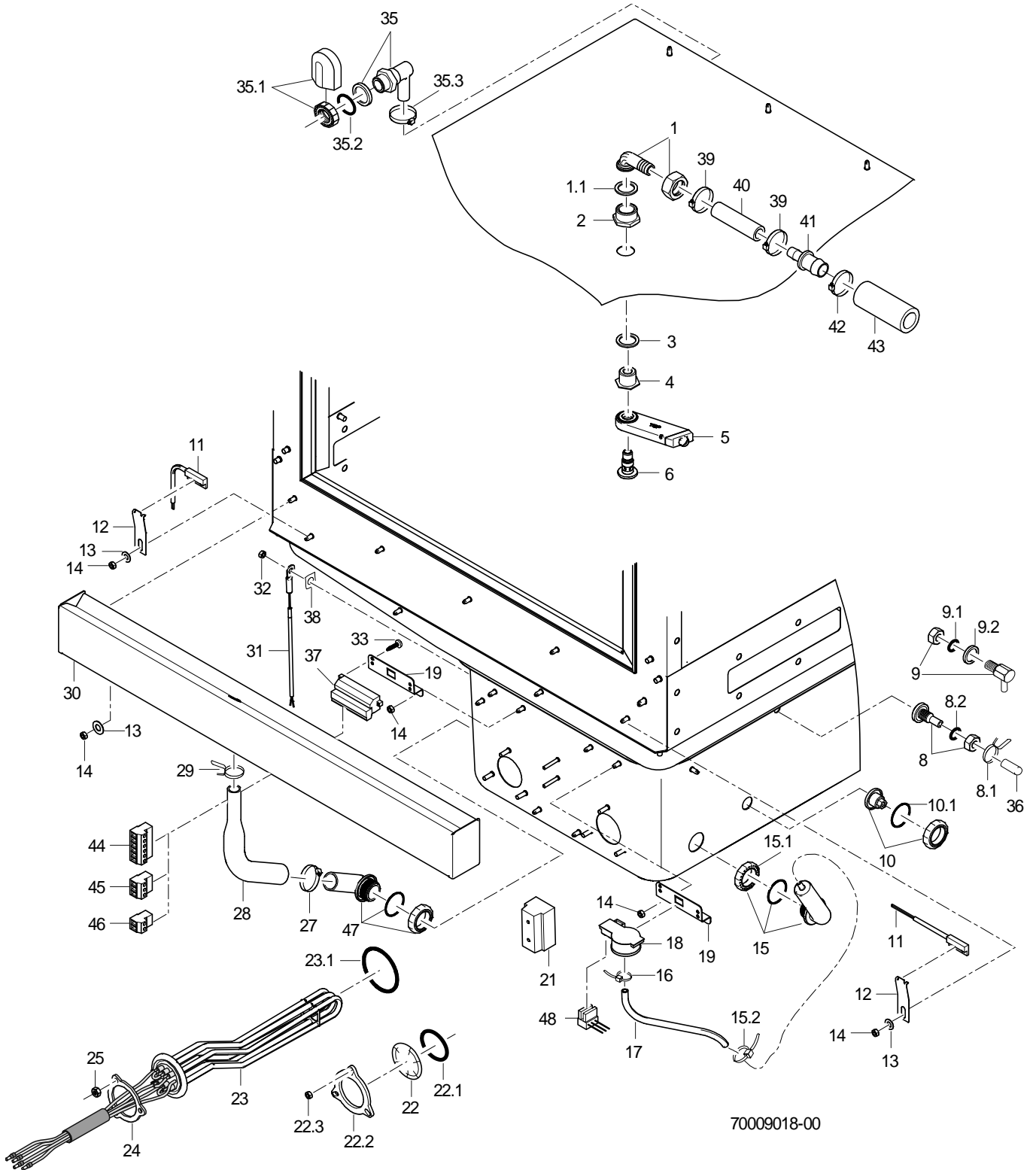


70009017-01

MTF Pre-wash zone (700 mm)

Door

Item.	Designation	Parts no.	Pc.	Notes
1	Snap closure	70008012		
2	Bracket; 1,5 X 50 X 96,33	70008430		
3	Cap nut; M5	21 10 303	2	
4	Bracket; D5 X 106,5	70006802		
5	Ratchet nut; M5	21 01 310	2	
6	O-ring; 6 X 2	27 07 012	4	
7	Nut; M5; D12,6 X D8 X 15	70008010	2	
8	Kit replacement door MT	70010729		
9	Raised head screw with internal hexagon; M5 X 14 MIT FLANSCH	20 10 314	4	
10	Washer; D8,5 X D17 X 1,0	22 08 515	2	
11	Hinge; 2,5 X 42,9 X 872,57	70006294		
12	KIT DOOR HINGE	70010730		
13	Raised head screw with flange; M5 X 12 MIT FLANSCH	20 10 006	2	
14	Door seal; 12,5 X 590,5 X 786,5	70008689		
15	Hexagonal nut; M6	21 05 304	4	
16	KIT DOOR HINGE	70010730		
17	Kit replacement door MT	70010729		
18	Washer; D5,3 X D10 X 1,0	22 01 300	2	
19	Solenoid switch; 32 X 14,9 X 6,9;1350MM	31 24 272		
20	Holder; 0,8 X 19 X 65	70007658		
21	Washer; D5,3 X D15 X 1,2	22 05 301		
22	Hexagonal nut self securing; M5	21 05 302		
23	Water channel	70006289		

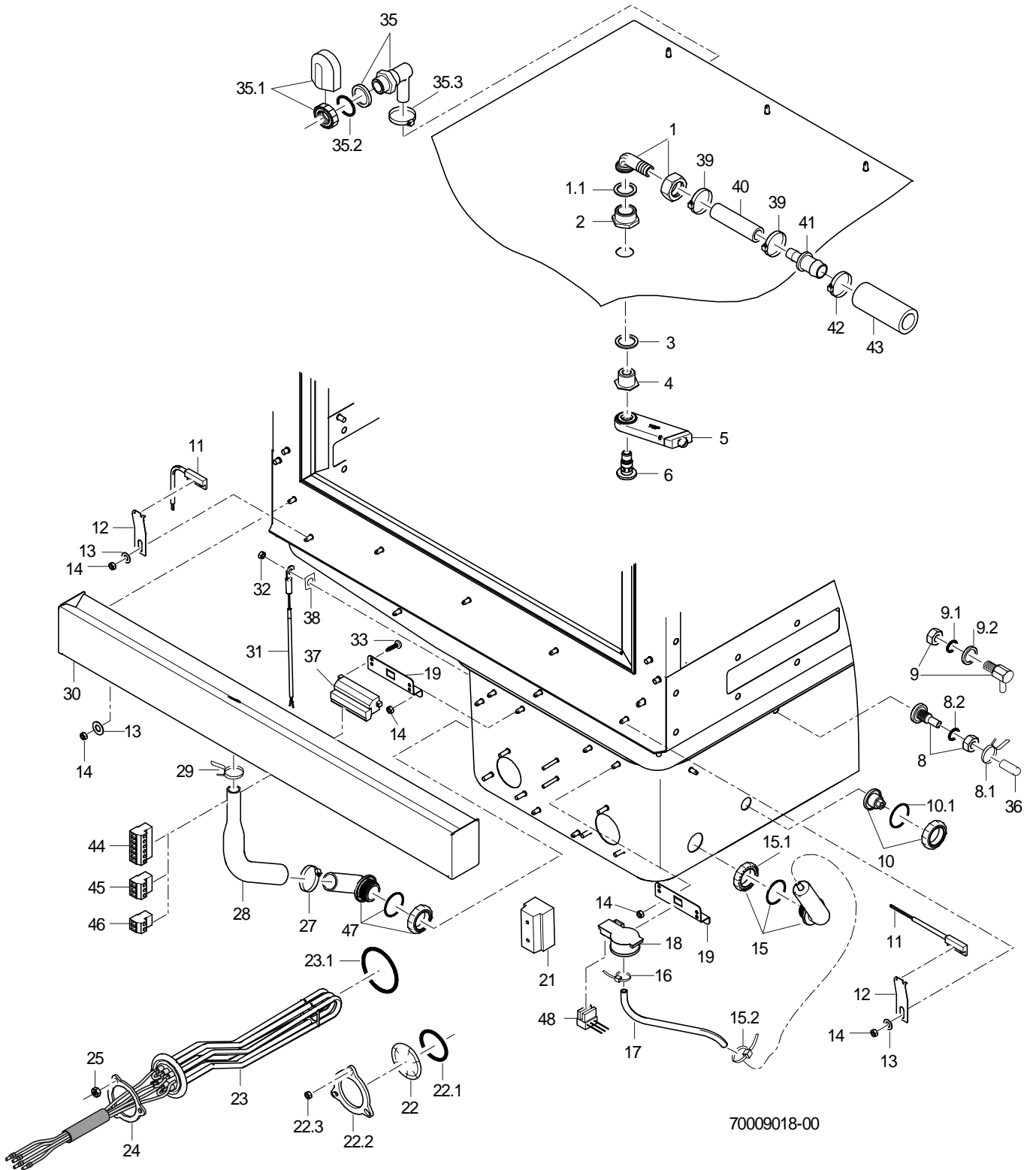


MTF Pre-wash zone (700 mm)

Housing, Tank heating

Item.	Designation	Parts no.	Pc.	Notes
1	Hose nipple, angled; D18	60002474		
1.1	Gasket; D16 X D24 X 3,0	83001022		
2	Reducing nipple; G 1/2" X G 3/4"; SW30	70004851		
3	Gasket; D21 X D28 X 2,0	27 09 011		
4	Nipple; G 1/2" X 18; SW27	70006985		
5	Mount. jet	70006984		
6	Revolving arm screw; M12 X 34,9; D35	60004125		
8	Dosing nipple set; M10 X 29; SW5	61005883		left - right
8.1	Wire hose clamp; D8,6 X 1	28 02 348		
8.2	O-ring; 10 X 2,5	30000723		
9	Detergents dosing nipple set	62002869		right - left
9.1	O-ring; 10 X 2,5	30000723		
9.2	Backup ring; D18 X 5	62002874		
10	Dummy plug; G 3/8" X 21,4; SW10;	70004899		
10.1	O-ring; 16 X 2,5	27 07 001		
11	Solenoid switch; 32 X 14,9 X 6,9;1350MM	31 24 272	2	
12	Holder; 0,8 X 19 X 65	70007658	2	
13	Washer; D5,3 X D15 X 1,2	22 05 301		
14	Hexagonal nut self securing; M5	21 05 302		
15	Air chamber set	60003525		
15.1	Nut; D26,2 X 8,5; SW32	60004612		
15.2	Cable tie; 100 X 2,5	31 20 175		
16	Cable tie; 100 X 2,5	31 20 175		
17	Hose; DN5 X 1,5	40 01 024		170 mm; "By-the-metre" goods
18	Pressure transmitter; 0-30MBAR;5VDC/0,5-3,5V	31 26 044		
19	Plug block holder; 1,25 X 47,45 X 80	70007315	2	
21	Appliance terminal G10/4; 4-POLIG; 10QMM	31 09 227		
22	Blind flange	60002787		
22.1	O-ring; 43 X 7,0	27 07 088		
22.2	Locking washer; D43 X D80 X 4,0	01 17 003		
22.3	Hexagonal nut; M5	21 01 203	3	

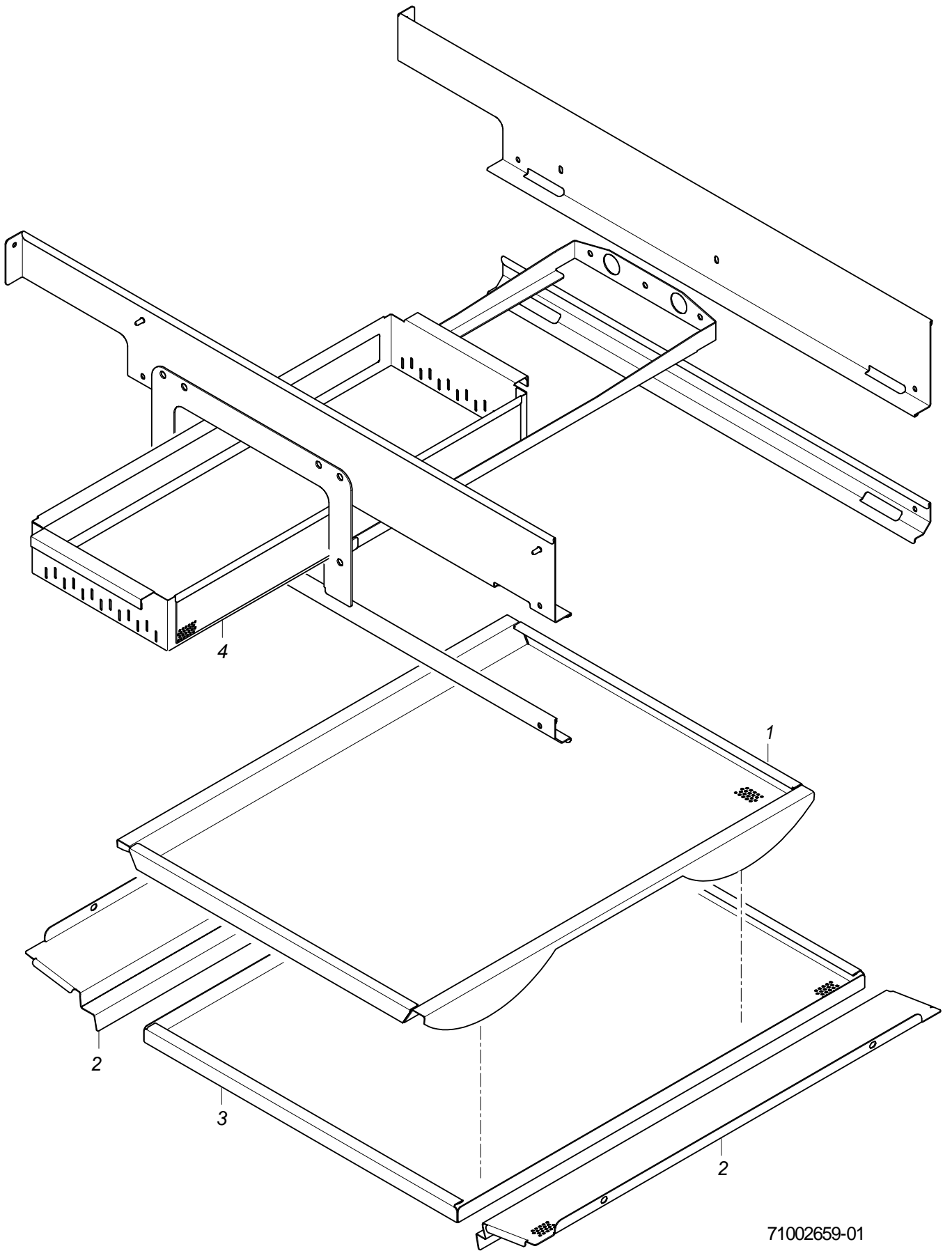
For missing items, see next page



MTF Pre-wash zone (700 mm)

Housing, Tank heating

Item.	Designation	Parts no.	Pc.	Notes
23	Heating element, wash tank 6.0 kW with fuse; 400-440V, 3~, 6KW	30008051		
23	Heating element, wash tank 6.0 kW with fuse; 400-440V, 3~, 6KW	30008052		Australia
23	Heating element, wash tank 4,7/6,2 kW with fuse; 200V, 3~, 4,7KW/230V, 3~, 6,2KW	30008049		
23	Heating element, wash tank 6.0 kW with fuse; 200V, 3~, 6KW	30008053		
23.1	O-ring; 43 X 7,0	27 07 088		
24	Locking washer; D43 X D80 X 4,0	01 17 003		
25	Hexagonal nut; M5	21 01 203	3	
27	Hose clamp; D20-32 X 9	30008124		
28	Moulded hose; DN13 X DN22 X 2; 213	70006835		
29	Self-clamping hose clamp; D18,7 - 19,6	28 02 015		
30	Water channel	70006289		
31	Thermal sensor kit 1000mm	80003803		up to machine no.: 1057447
31	Kit thermal sensor	30000126		from machine no.: 1057448
32	Ratchet nut; M5	21 01 310		
33	Sheet metal screw; ST 3,9 X 9,5	20 20 307		
35	Water inlet, 3-part set	55 31 007		
35.1	Tank inlet set; G 1/2" X 8; SW27	61005339		
35.2	O-ring; 20 X 3	27 07 031		
35.3	Hose clamp; D12-22 X 9	30000711		
36	End cap; D5,7 X 25,4	35 06 180		
37	Plug block, MVSTBU; 2,5/12-GB-5,08	31 09 248		
38	Heat conducting foil with hole; 0,25 X 12 X 15	61005285		
39	Hose clamp; D12-22 X 9	30000711		
40	Industrial hose; DN13 X 3,5	40 02 035		610mm; "By-the-metre" goods
41	Hose connecting piece; 3/4" X 1/2" X 62 LG	29 06 520		
42	Hose clamp; D20-30 X 12	28 02 306		
43	Moulded hose; DN18 X 2,5 X 534	65006410		adapt
44	Plug MSTB; 2,5/6-ST-5,08	31 09 257		6-pole
45	Plug MSTB; 2,5/3-ST-5,08	31 09 250		3-pole
46	Plug MSTB; 2,5/2-ST-5,08	31 09 249		2-pole
47	KIT PIPE NIPPLE	70010803		
48	Cable pressure transmitter; 3 X 0,34; 980 LG	70007794		

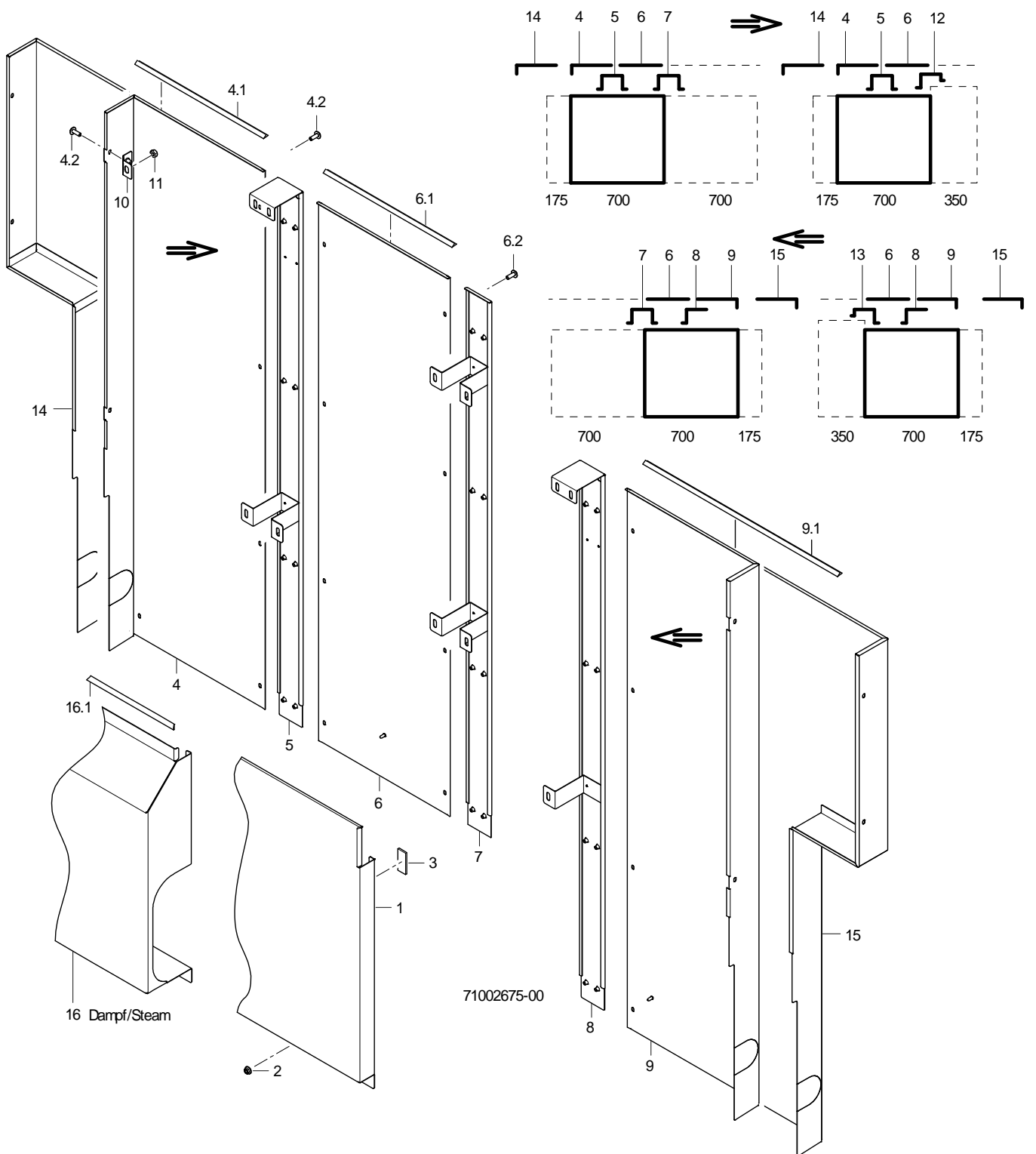


71002659-01

MTF Pre-wash zone (700 mm)

Filter system

Item.	Designation	Parts no.	Pc.	Notes
1	Optimisation of pre-wash zone MTF	71003068	1	up to machine no.: 570 744
2	Filter support plate; 1,25 X 167,94 X 678,2	70005922	2	
3	Strainer; 1,20 X 583,03 X 752	70005926		
4	Filter cartridge; Pre-wash zone	71003047		from machine no.: 570 745



MTF Pre-wash zone (700 mm)

Panelling

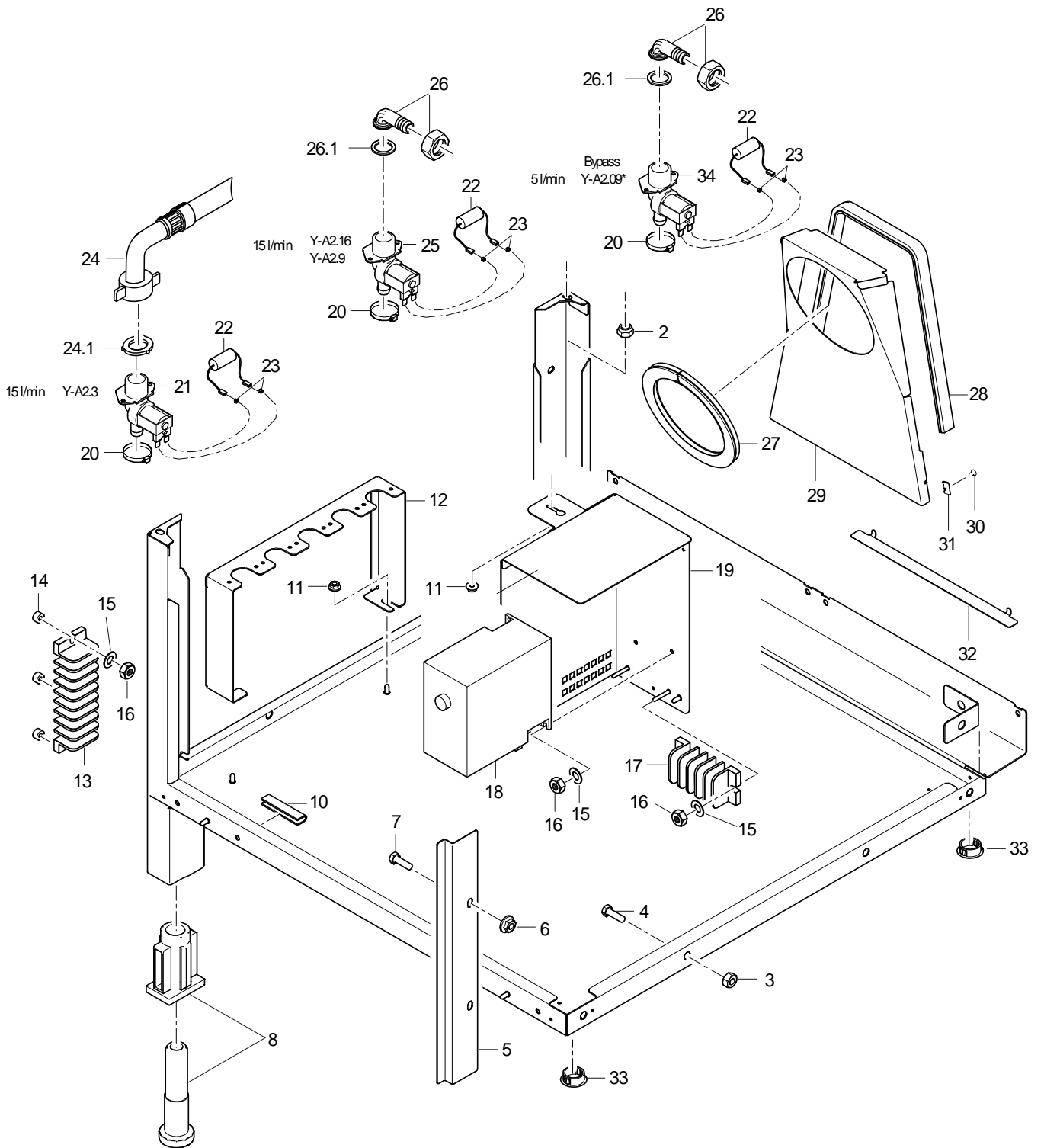
Item.	Designation	Parts no.	Pc.	Notes
1	Covering (base frame)	70008251		
2	Ratchet nut; M5	21 01 310		
3	Sealing tape; 9 X 2 X 10000	30001091		1 roll = 10 m
4	Corner cladding	70009171		
4.1	Rubber profile; 9 BREIT;1,5 X 25000	48 03 028		1 roll = 25 m
4.2	Raised head screw with flange; M5 X 12 MIT FLANSCH	20 10 006	7	
5	Back wall rail	70008279		
6	Back panel 350	70009172		Option
6.1	Rubber profile; 9 BREIT;1,5 X 25000	48 03 028		1 roll = 25 m
6.2	Raised head screw with flange; M5 X 12 MIT FLANSCH	20 10 006	8	
7	Back wall rail	70008132		Option
8	Back wall rail	70009125		
9	Corner cladding	70009170		
9.1	Rubber profile; 9 BREIT;1,5 X 25000	48 03 028		1 roll = 25 m
10	Lug	70006597	2	
11	Hexagonal nut self securing; M5	21 05 302		
12	Back wall rail	70008139		Option
13	Back wall rail	70008140		Option
14	Corner cladding, L-R	71002676		at a voltage of 200 V and 230 V/3 (three-phase)
15	Corner cladding, R-L	71002677		at a voltage of 200 V and 230 V/3 (three-phase)
16	Covering	70009495		steam heated left - right
16	Covering	70009496		steam heated right - left
16.1	Rubber profile; 9 BREIT;1,5 X 25000	48 03 028		1 roll = 25 m

Spare parts list

MTF Main wash zone

Contents

Base frame	Page 1 - 2
Water drain, Mediamat Cyclo	Page 3 - 4
Wash pump	Page 5 - 6
Wash system, bottom	Page 7 - 8
Wash system, top	Page 9 - 10
Door	Page 11 - 12
Housing, Tank heating	Page 13 - 16
Housing, top	Page 17 - 18
Filter system	Page 19 - 20
Panelling	Page 21 - 22
Steam heating	Page 23 - 24

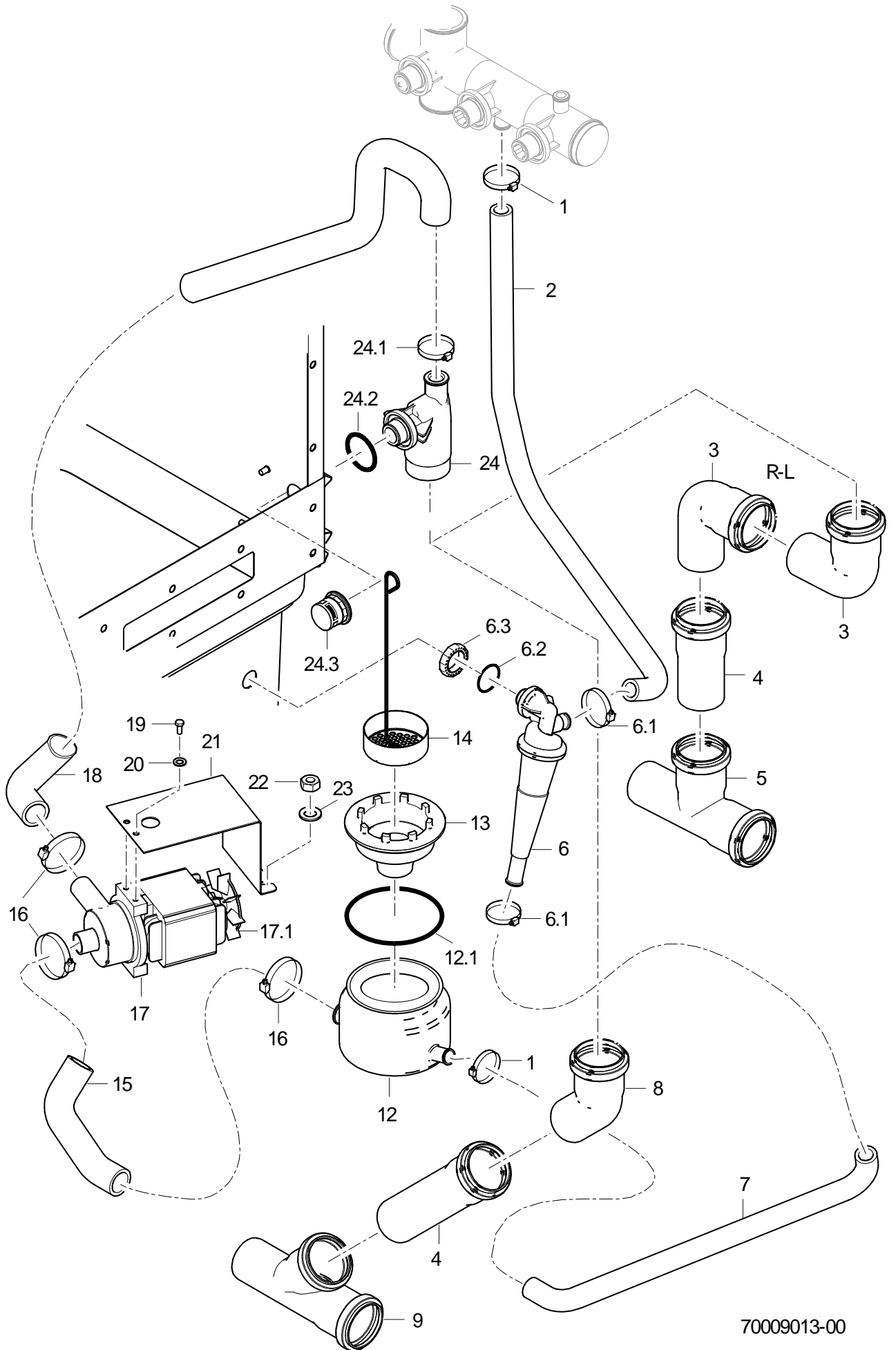


70009021-00
71002674-00

MTF Main wash zone

Base frame

Item.	Designation	Parts no.	Pc.	Notes
2	Hexagonal nut; M6	21 05 304	2	
3	Hexagonal nut; M8	21 05 306	4	
4	Hexagon screw; M8 X 16; A70	20 01 302	4	
5	Splash plate; 1,25 X 63,7 X 344	70008365		
6	Ratchet nut; M6	21 01 311		
7	Hexagon screw; M6 X 12; A70	20 01 321		
8	Adjustable foot with threaded insert	61008117	2	
10	Edge protection profile; U9,5 X 2,0	40 04 015		600 mm; "By-the-metre" goods
11	Ratchet nut; M5	21 01 310	2	
12	5x solenoid valve holder; 1,5 X 59,83 X 664,33	70008005		
13	Terminal strip; 16-POLIG	31 09 154		Only for machines without a pre-wash zone
14	Spacer; D5,3 X D12 X 7	22 08 513	3	
15	Washer; D4,3 X D12 X 1,0	22 05 300	2	
16	Hexagonal nut self securing; M4	21 05 300	2	
17	Terminal strip; 5-POLIG	31 09 254		
18	Kit frequency inverter 0.25 kW; 200-240V/AC; 50/60HZ	30008063		
19	Holder	70007600		
20	Hose clamp; D12-22 X 9	30000711		
21	15 l solenoid valve set; 200-240V/50-60HZ/+-10%	60004148		
22	RC element; 0,15 MICRO F; 3,3 KOHM	31 13 114		
23	Fast-on piggy-back plug	31 12 004	2	
24	WATER SUPPLY HOSE; DN13 X 3,5; 2500	40 02 060		
24.1	Gasket; D16 X D24 X 3,0	83001022	2	
25	15 l solenoid valve set; 200-240V/50-60HZ/+-10%	60004148		
26	Hose nipple, angled; D18	60002474		
26.1	Gasket; D16 X D24 X 3,0	83001022		
27	Sealing profile; 1,0 - 2,0MM	40 04 006		460 mm; "By-the-metre" goods
28	Sealing profile; 1,0 - 2,0MM	40 04 006		610mm; "By-the-metre" goods
29	Air baffle; 1,0 X 304,82 X 376,26	70009750		from machine no.: 543 980
30	Sheet metal screw; ST 3,9 X 9,5	20 20 313	2	
31	Plate nut; B 3,9	21 17 100	2	
32	Covering angle; 1,0 X 26,01 X 265	70009859		
33	Cap; D25,5	35 03 031	2	
34	Solenoid valve 5l; 200-240V/50-60HZ/+-10%	60004147		

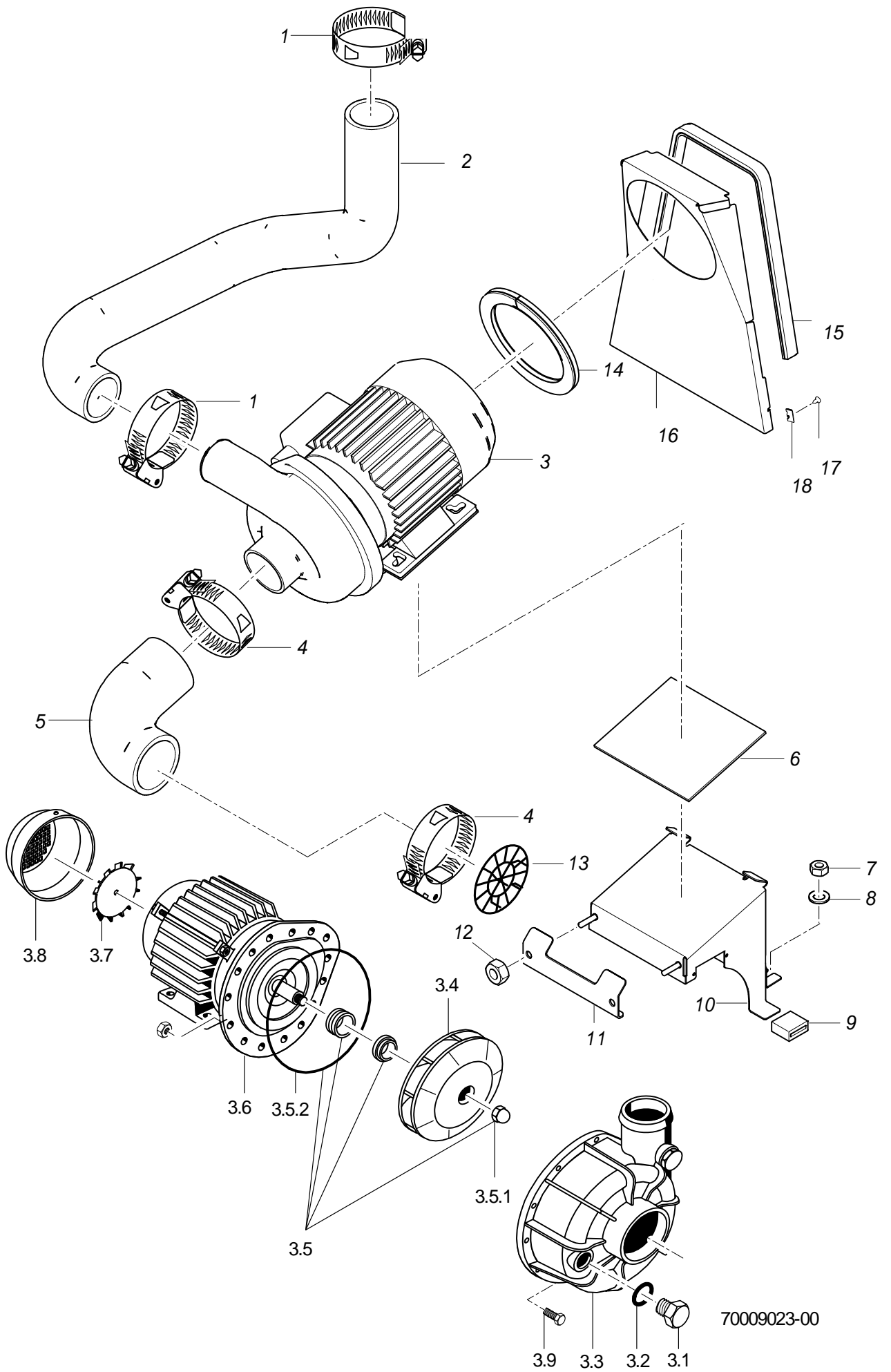


70009013-00

MTF Main wash zone

Water drain, Mediamat Cyclo

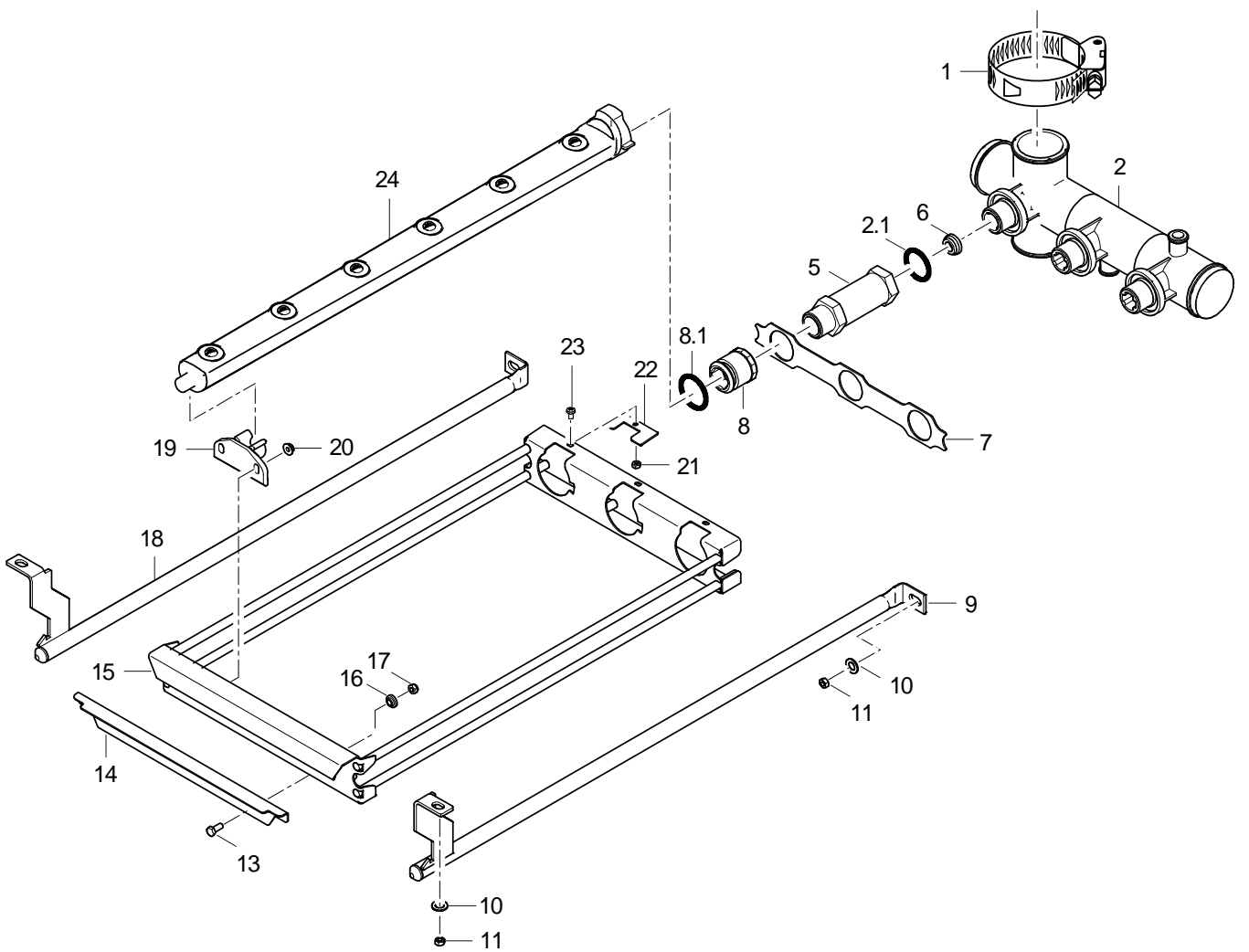
Item.	Designation	Parts no.	Pc.	Notes
1	Hose clamp; D20-30 X 12	28 02 109		
2	Moulded hose; DN15 X 4; 90 Grad; 1637	70005415		
3	HT bend; DN50; 87GRAD	30 15 508	2	
4	HT pipe; DN50 X 250	30 15 518		
5	HT branch pipe; DN50	30 15 516		
6	Mediamat Cyclo	61005184		
6.1	Hose clamp; D12-22 X 9	30000711	2	
6.2	O-ring; 20 X 3,5	27 07 040		
6.3	Tank inlet set; G 1/2" X 8; SW27	61005339		
7	Moulded hose; DN15 X 4; 90 Grad; 1637	70005415		
8	HT bend; DN50; 45GRAD	30 15 542		
9	HT branch pipe; DN50 X DN50, 45GRAD	30 15 554		
12	Sump pot	61005186		
12.1	O-ring; 91 X 3,5	27 07 075		
13	Sump drain set	61006178		
14	Sump filter; D70	65005555		
15	Hose bender; DN24 X 4,0	70006094		
16	Hose clamp; D32-52 X 12	28 02 110		
17	3/0 lye pump; 200-240V/50-60HZ	31 02 410		
17.1	Fan blade	31 02 431		
18	Moulded hose; DN24 X 4; 997	70006832		
19	Hexagon screw; M6 X 10; A70	20 01 332	2	
20	Spring washer; B6	23 03 300	2	
21	Holder; 1,5 X 110,84 X 253,66	61005154		
22	Hexagonal nut self securing; M5	21 05 302	2	
23	Washer; D5,3 X D15 X 1,2	22 05 301	2	
24	Outlet	61005185		
24.1	Hose clamp; D24-36 X 12	28 02 111		
24.2	O-ring; 29,5 X 4,5	27 07 008		
24.3	Cap; G 3/4" X 24; SW32	61004974		



MTF Main wash zone

Wash pump

Item.	Designation	Parts no.	Pc.	Notes
1	Hose clamp; D50-70 x 12	30001243	2	
2	Hose bender, L-R; DN50 X 6,0	70006053		left - right
2	Hose bender, R-L; DN50 X 6,0	70006831		right - left
3	1.85 kW 3/3 pump; 230V/400V/3/50HZ	31 02 573		
3	1.85 kW 3/3 pump; 230V/400V/3/60HZ	31 02 574		
3	1.85 kW 3/3 pump; 200V/346V/3/50HZ	31 02 575		
3	1.85 kW 3/3 pump; 200V/346V/3/60HZ	31 02 576		
3	1.85 kW 3/3 pump; 254V/440V/3/60HZ	31 02 577		
3.1	Dummy plug; G 1/2" X 20,5	35 01 108		
3.2	O-ring; 20 X 3,5	27 07 040		
3.3	Pump housing	31 02 204		
3.4	Pump impeller; D119; 1,85KW; 50HZ	31 02 407		for 50 Hz pumps
3.4	Pump impeller; D100; 1,85KW; 60HZ	31 02 408		for 60 Hz pumps
3.5	Gasket set; 1,1/1,7/1,85/0,73 KW	80002670		
3.5.1	Dome head nut; M8	21 10 305		
3.5.2	O-ring; 158,35 X 3,53	31 02 209		
3.6	Pump cover	31 02 208		
3.7	Fan blade	31 02 211		
3.8	Fan cover	31 02 212		
3.9	Hexagon screw; M4 X 25; 8.8	20 01 020		
4	Hose clamp; D62-82 X 12	28 02 137	2	
5	Hose elbow 90°; DN62 X 7,0; 130 X 150	40 03 027		
6	Support; 3,0 X 130 X 154	70006821		
7	Hexagonal nut self securing; M5	21 05 302		
8	Washer; D5,3 X D15 X 1,2	22 05 301	2	
9	Buffer; 14 X 28 X 31	61005067	2	
10	Console	70008523		
11	Holder; 2,0 X 60,11 X 154	70006822		
12	Hexagonal nut; M6	21 05 304	2	
13	Suction sieve; D72	62001956		
14	Sealing profile; 1,0 - 2,0MM	40 04 006		460 mm; "By-the-metre" goods
15	Sealing profile; 1,0 - 2,0MM	40 04 006		610mm; "By-the-metre" goods
16	Air baffle; 1,0 X 304,82 X 376,26	70009750		from machine no.: 543 980
17	Sheet metal screw; ST 3,9 X 9,5	20 20 313	2	
18	Plate nut; B 3,9	21 17 100	2	

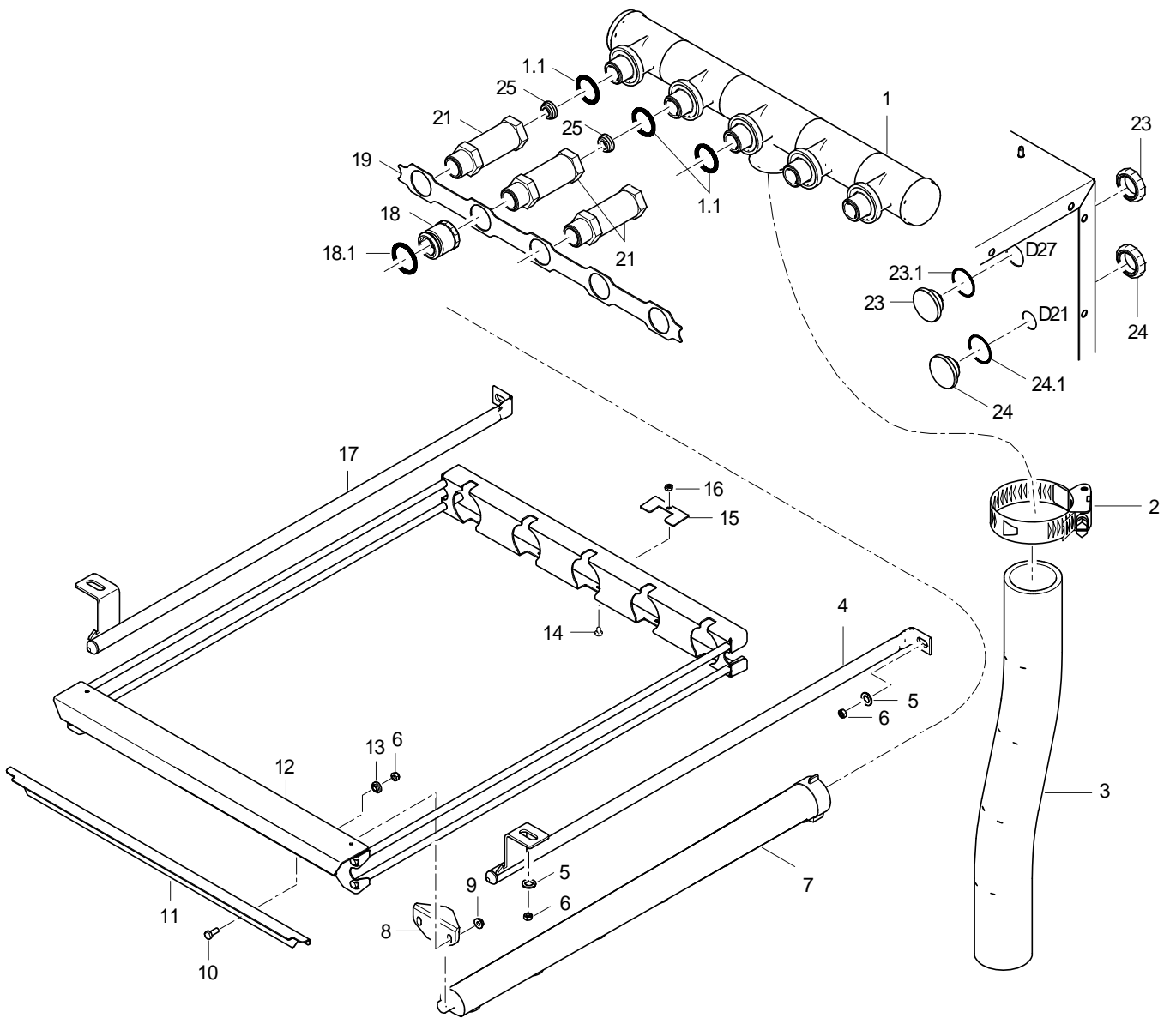


71002663-00

MTF Main wash zone

Wash system, bottom

Item.	Designation	Parts no.	Pc.	Notes
1	Hose clamp; D50-70 x 12	30001243		
2	Wash distributor, bottom, set; 294,5 LG	70008918		
2.1	O-ring; 29,5 X 4,5	27 07 008	3	
5	Extension piece; RD26X1/8X 53; SW32	71001455	3	
6	Restrictor; D11 X D23,2 X 9,0	70006466	3	
7	Metal sheet; 1,5 X 36 X 248	70007189		
8	Locking nut	60002785	3	
8.1	Seal ring; D26 X D32,5 X 5,0	70009122		
9	Guide tube, right	71001778		
10	Washer; D5,3 X D15 X 1,2	22 05 301		
11	Hexagonal nut self securing; M5	21 05 302		
13	Raised head screw with flange; M5 X 12 MIT FLANSCH	20 10 006	2	
14	Slide; 1,5 X 37,7 X 276	70007664		
15	Welded wash arm holder	71002023		
16	Bushing; D8 X 4; D12	70007667	2	
17	Hexagonal nut self securing; M5	21 05 302	2	
18	Guide tube, left	71001779		
19	Snapper; 23,5 X 32 X 64	70008382	3	
20	Ratchet nut; M5	21 01 310	6	
21	Hexagonal nut; M4	21 01 302	3	
22	Adjusting plate; 1,5 X 23 X 50	70006436	3	
23	Lens head screw; M4 X 6 MIT TORX 20	30008668	3	
24	Wash arm with 6 jets; 568 LG	30002022	3	

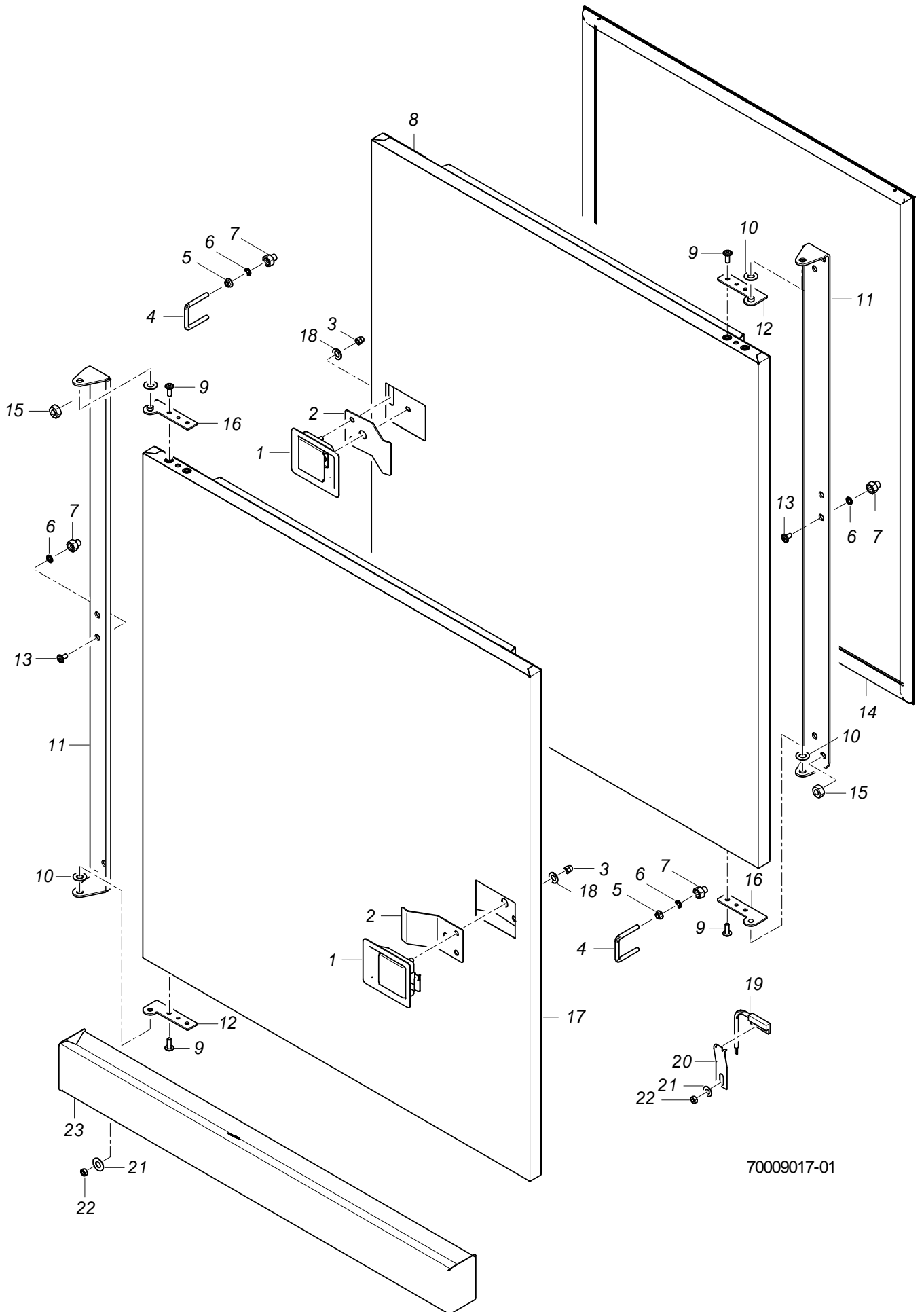


70009025-00

MTF Main wash zone

Wash system, top

Item.	Designation	Parts no.	Pc.	Notes
1	Wash distributor, top, set; 456 LG	70008916		
1.1	O-ring; 29,5 X 4,5	27 07 008	5	
2	Hose clamp; D50-70 x 12	30001243		
3	Industrial hose; DN50 X 6,0	40 02 006		520 mm; "By-the-metre" goods
4	Guide tube, right	70008026		
5	Washer; D5,3 X D15 X 1,2	22 05 301		
6	Hexagonal nut self securing; M5	21 05 302		
7	Wash arm with 6 jets; 568 LG	30002022	5	up to machine no.: 1095258
7	Washarm with 6 jets	70011210	5	from machine no.: 1095259
8	Snapper; 23,5 X 32 X 64	70008382	5	
9	Ratchet nut; M5	21 01 310	10	
10	Raised head screw with flange; M5 X 12 MIT FLANSCH	20 10 006	2	
11	Slide, top; 1,5 X 37,7 X 452	70008036		
12	Welded wash arm holder	70007217		
13	Bushing; D8 X 4; D12	70007667	2	
14	Lens head screw; M4 X 6 MIT TORX 20	30008668	3	
15	Adjusting plate; 1,5 X 23 X 50	70006436	3	
16	Hexagonal nut; M4	21 01 302	3	
17	Guide tube, left	70008025		
18	Locking nut	60002785	5	
18.1	Seal ring; D26 X D32,5 X 5,0	70009122		
19	Metal sheet; 1,5 X 36 X 428	70007223		
21	Extension piece; RD26X1/8X 53; SW32	71001455	5	
23	Dummy plug; G 3/4" X 21,7;SW10;SW5	70005109	3	
23.1	O-ring; 26 X 2,5	27 07 062		
24	Dummy plug; G 1/2" X 21,4;SW10;SW5	70004912		
24.1	O-ring; 20 X 2,5	27 07 004		

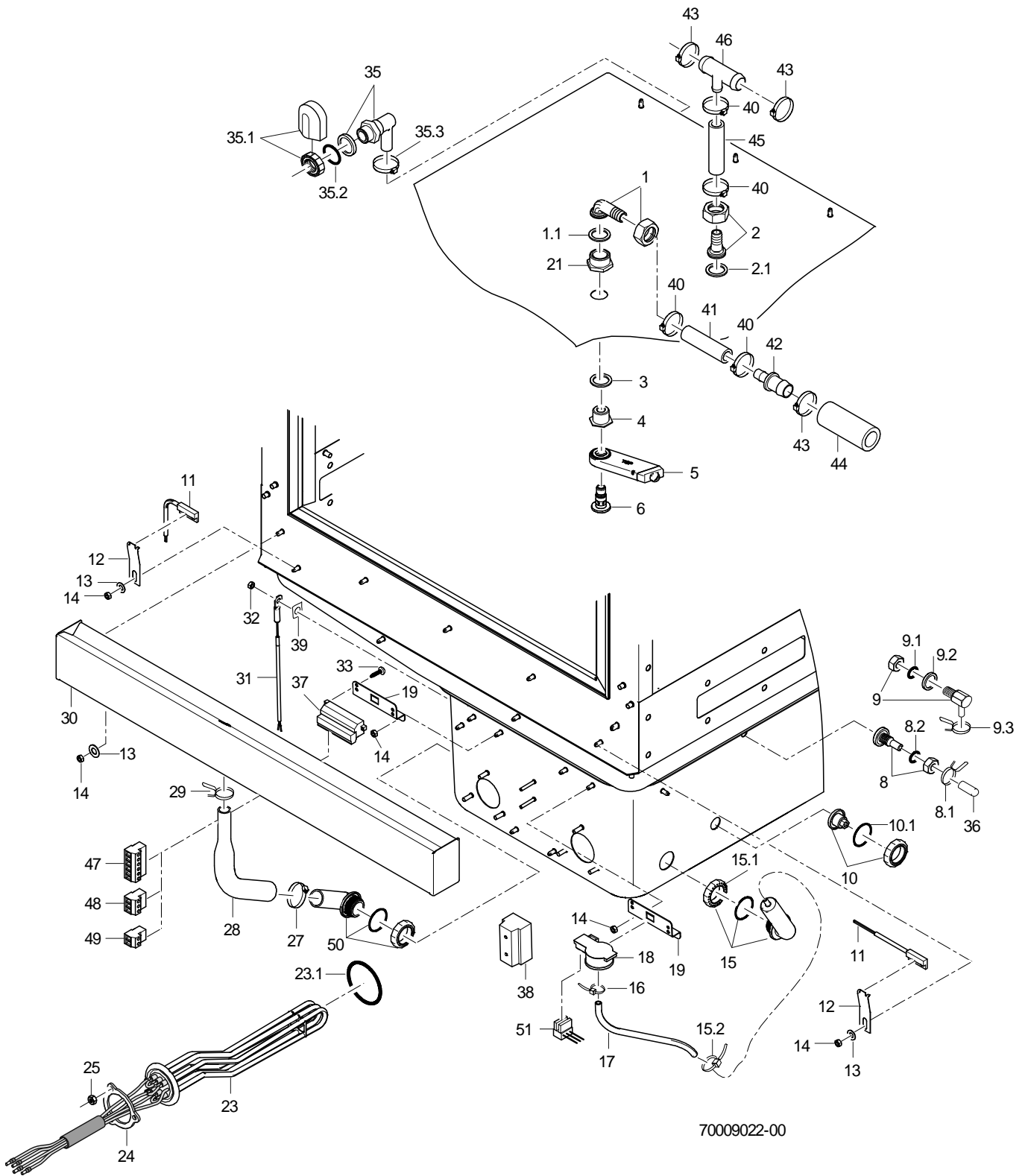


70009017-01

MTF Main wash zone

Door

Item.	Designation	Parts no.	Pc.	Notes
1	Snap closure	70008012		
2	Bracket; 1,5 X 50 X 96,33	70008430		
3	Cap nut; M5	21 10 303	2	
4	Bracket; D5 X 106,5	70006802		
5	Ratchet nut; M5	21 01 310	2	
6	O-ring; 6 X 2	27 07 012	4	
7	Nut; M5; D12,6 X D8 X 15	70008010	2	
8	Kit replacement door MT	70010729		
9	Raised head screw with internal hexagon; M5 X 14 MIT FLANSCH	20 10 314	4	
10	Washer; D8,5 X D17 X 1,0	22 08 515	2	
11	Hinge; 2,5 X 42,9 X 872,57	70006294		
12	KIT DOOR HINGE	70010730		
13	Raised head screw with flange; M5 X 12 MIT FLANSCH	20 10 006	2	
14	Door seal; 12,5 X 590,5 X 786,5	70008689		
15	Hexagonal nut; M6	21 05 304	4	
16	KIT DOOR HINGE	70010730		
17	Kit replacement door MT	70010729		
18	Washer; D5,3 X D10 X 1,0	22 01 300	2	
19	Solenoid switch; 32 X 14,9 X 6,9;1350MM	31 24 272		
20	Holder; 0,8 X 19 X 65	70007658		
21	Washer; D5,3 X D15 X 1,2	22 05 301		
22	Hexagonal nut self securing; M5	21 05 302		
23	Water channel	70006289		

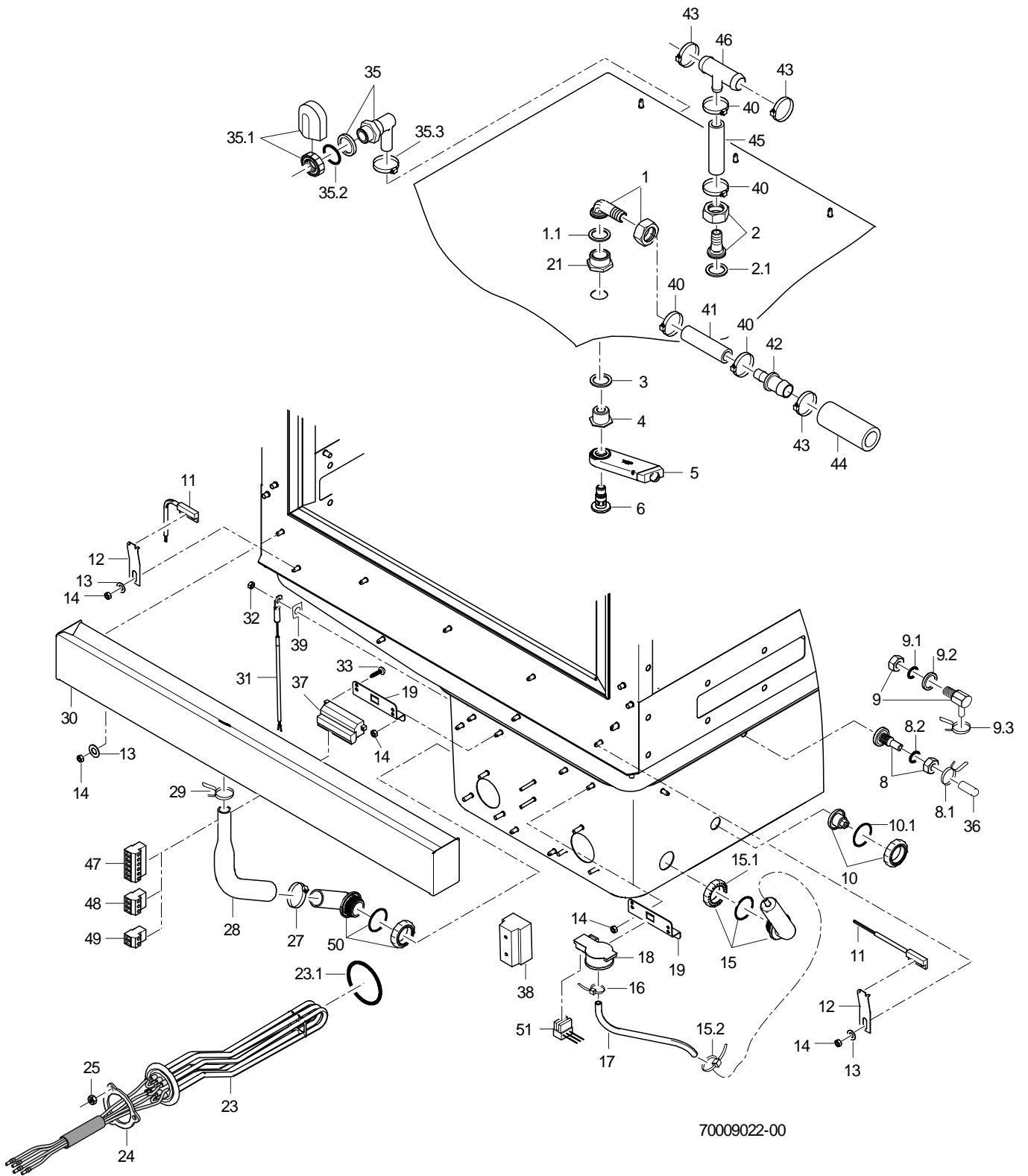


MTF Main wash zone

Housing, Tank heating

Item.	Designation	Parts no.	Pc.	Notes
1	Hose nipple, angled; D18	60002474		Machine without pre-wash zone
1.1	Gasket; D16 X D24 X 3,0	83001022		
2	Hose coupling; R 3/4" X 1/2"	60002453		Machine with pre-wash zone
2.1	Gasket; D16 X D24 X 3,0	83001022		
3	Gasket; D21 X D28 X 2,0	27 09 011		
4	Nipple; G 1/2" X 18; SW27	70006985		
5	Mount. jet	70006984		
6	Revolving arm screw; M12 X 34,9; D35	60004125		
8	Dosing nipple set; M10 X 29; SW5	61005883		
8.1	Wire hose clamp; D8,6 X 1	28 02 348		
8.2	O-ring; 10 X 2,5	30000723		
9	Detergents dosing nipple set	62002869		Machine without pre-wash zone and right-to-left direction of travel
9.1	O-ring; 10 X 2,5	30000723		
9.2	Backup ring; D18 X 5	62002874		
9.3	Wire hose clamp; D8,6 X 1	28 02 348		
10	Dummy plug; G 3/8" X 21,4; SW10;	70004899		
10.1	O-ring; 16 X 2,5	27 07 001		
11	Solenoid switch; 32 X 14,9 X 6,9;1350MM	31 24 272	2	
12	Holder; 0,8 X 19 X 65	70007658	2	
13	Washer; D5,3 X D15 X 1,2	22 05 301		
14	Hexagonal nut self securing; M5	21 05 302		
15	Air chamber set	60003525		
15.1	Nut; D26,2 X 8,5; SW32	60004612		
15.2	Cable tie; 100 X 2,5	31 20 175		
16	Cable tie; 100 X 2,5	31 20 175		
17	Hose; DN5 X 1,5	40 01 024		170 mm; "By-the-metre" goods
18	Pressure transmitter; 0-30MBAR;5VDC/0,5-3,5V	31 26 044		
19	Plug block holder; 1,25 X 47,45 X 80	70007315	2	
21	Reducing nipple; G 1/2" X G 3/4"; SW30	70004851		

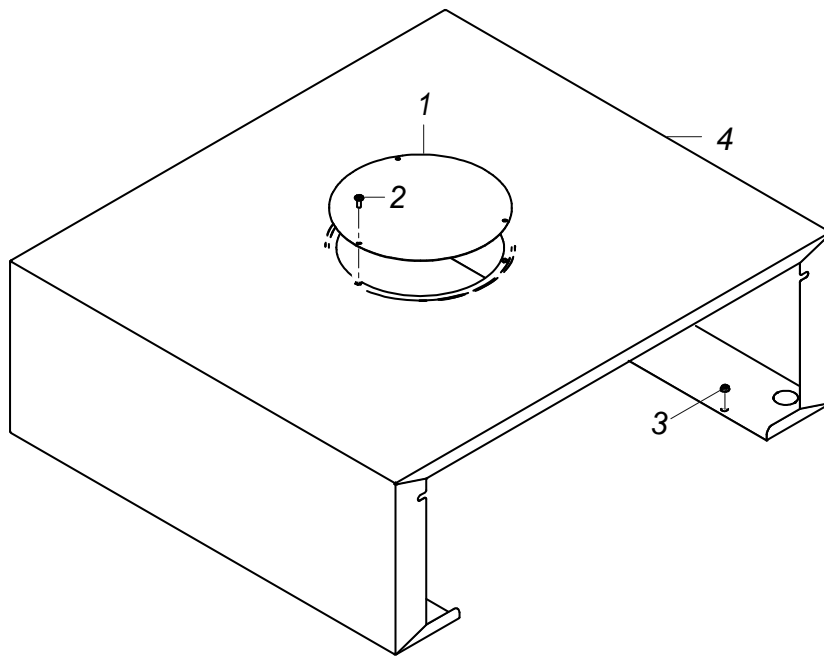
For missing items, see next page



MTF Main wash zone

Housing, Tank heating

Item.	Designation	Parts no.	Pc.	Notes
23	Heating element, wash tank 6.0 kW with fuse; 400-440V, 3~, 6KW	30008051	2	
23	Heating element, wash tank 6.0 kW with fuse; 400-440V, 3~, 6KW	30008052	2	Australia
23	Heating element, wash tank 4,7/6,2 kW with fuse; 200V, 3~, 4,7KW/230V, 3~, 6,2KW	30008049	2	
23	Heating element, wash tank 6.0 kW with fuse; 200V, 3~, 6KW	30008053	2	
23.1	O-ring; 43 X 7,0	27 07 088		
24	Locking washer; D43 X D80 X 4,0	01 17 003		
25	Hexagonal nut; M5	21 01 203	3	
27	Hose clamp; D20-32 X 9	30008124		
28	Moulded hose; DN13 X DN22 X 2; 213	70006835		
29	Self-clamping hose clamp; D18,7 - 19,6	28 02 015		
30	Water channel	70006289		
31	Thermal sensor kit 1000mm	80003803		up to machine no.: 1057447
31	Kit thermal sensor	30000126		from machine no.: 1057448
32	Ratchet nut; M5	21 01 310		
33	Sheet metal screw; ST 3,9 X 9,5	20 20 307		
35	Water inlet, 3-part set	55 31 007		
35.1	Tank inlet set; G 1/2" X 8; SW27	61005339		
35.2	O-ring; 20 X 3	27 07 031		
35.3	Hose clamp; D12-22 X 9	30000711		
36	End cap; D5,7 X 25,4	35 06 180		
37	Plug block, MVSTBU; 2,5/12-GB-5,08	31 09 248		
38	Appliance terminal G10/4; 4-POLIG; 10QMM	31 09 227		
39	Heat conducting foil with hole; 0,25 X 12 X 15	61005285		
40	Hose clamp; D12-22 X 9	30000711		
41	Industrial hose; DN13 X 3,5	40 02 035		1500 mm; "By-the-metre" goods
42	Hose connecting piece; 3/4" X 1/2" X 62 LG	29 06 520		
43	Hose clamp; D20-30 X 12	28 02 306		
44	Moulded hose; DN18 X 2,5 X 534	65006410		adapt
45	Industrial hose; DN13 X 3,5	40 02 035		90 mm; "By-the-metre" goods
46	Hose T-connecting piece; D19 X D12,5 X D19	29 06 529		
47	Plug MSTB; 2,5/6-ST-5,08	31 09 257		6-pole
48	Plug MSTB; 2,5/3-ST-5,08	31 09 250		3-pole
49	Plug MSTB; 2,5/2-ST-5,08	31 09 249		2-pole
50	KIT PIPE NIPPLE	70010803		
51	Cable pressure transmitter; 3 X 0,34; 980 LG	70007794		

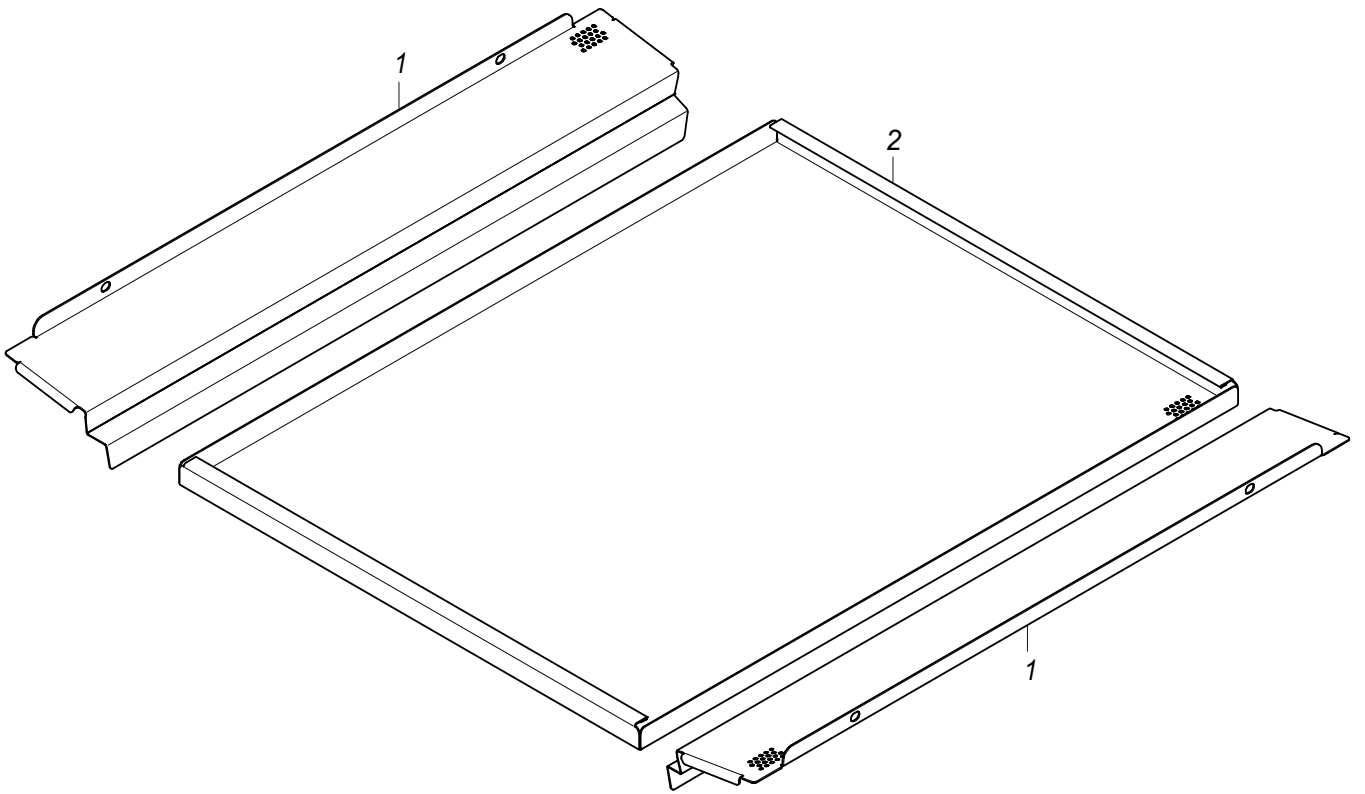


71002680-00

MTF Main wash zone

Housing, top

Item.	Designation	Parts no.	Pc.	Notes
1	Round cover (intermediate housing); D234 X 1,5	70008098		
2	Lens head screw; M5 X 10	20 10 306	3	
3	Ratchet nut; M5	21 01 310		
4	Intermediate housing, 700	70008237		

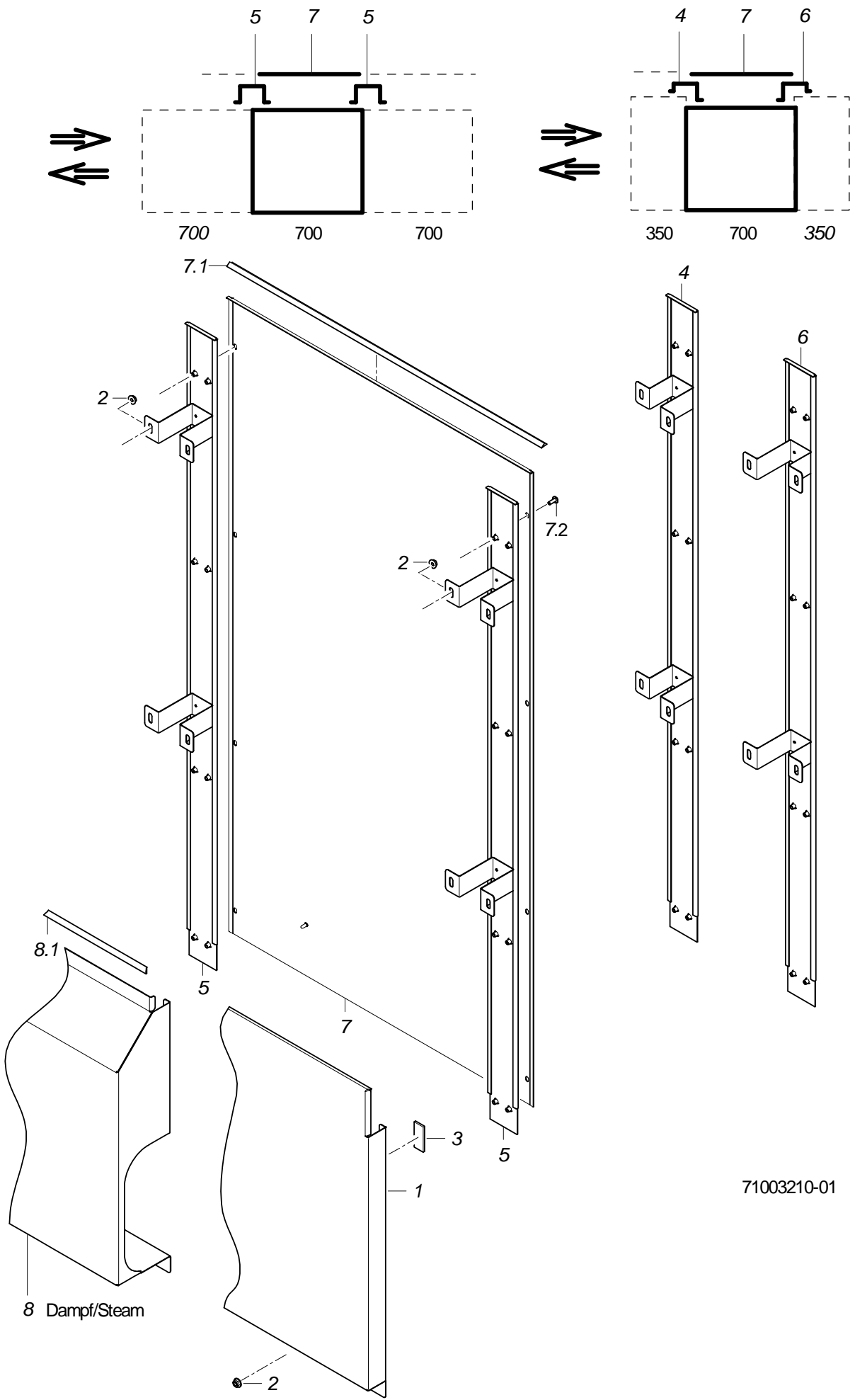


71002681-00

MTF Main wash zone

Filter system

Item.	Designation	Parts no.	Pc.	Notes
1	Lug; 1,5 X 82,1 X 93	70007204	2	
2	Ratchet nut; M5	21 01 310		
3	Filter cassette; 1,25 X 551,6 X 612,2	70007202		Only for machines without a pre-wash zone
4	Dirt deflector, right; 1,25 X 148,2 X 559,8	70007206		Only for machines without a pre-wash zone
5	Raised head screw with flange; M5 X 12 MIT FLANSCH	20 10 006		
6	Dirt deflector, left; 1,25 X 148,2 X 559,8	70007203		Only for machines without a pre-wash zone
7	Filter support plate; 1,25 X 167,94 X 678,2	70005922	2	
8	Strainer; 1,20 X 583,03 X 752	70005926		

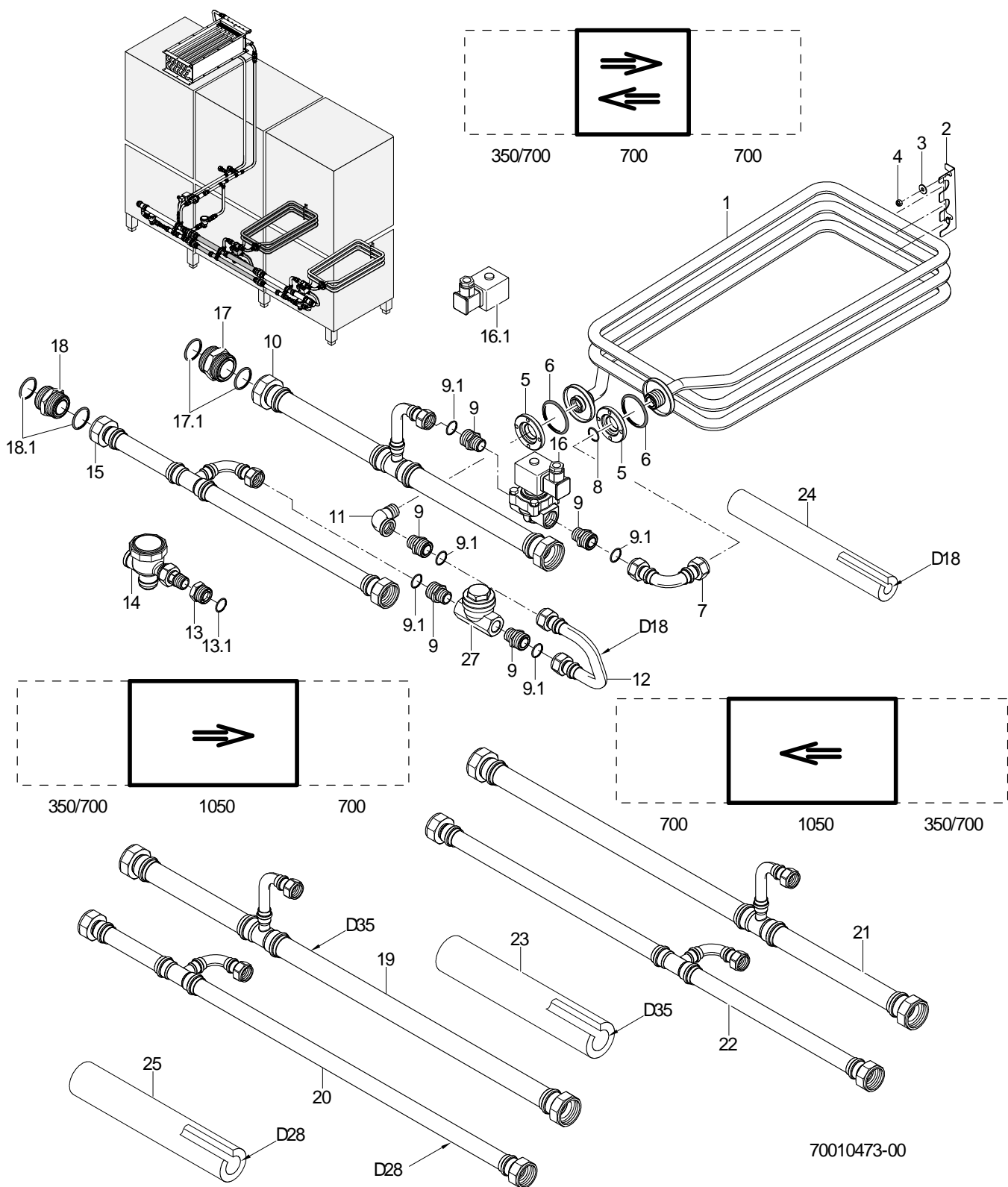


71003210-01

MTF Main wash zone

Panelling

Item.	Designation	Parts no.	Pc.	Notes
1	Covering (base frame)	70008251		
2	Ratchet nut; M5	21 01 310		
3	Sealing tape; 9 X 2 X 10000	30001091		1 roll = 10 m
4	Back wall rail	70008140		Option
5	Back wall rail	70008132	2	Option
6	Back wall rail	70008139		Option
7	Back panel 700	70009173		Option
7.1	Rubber profile; 9 BREIT;1,5 X 25000	48 03 028		1 roll = 25 m
7.2	Raised head screw with flange; M5 X 12 MIT FLANSCH	20 10 006	8	
8	Covering	70009494		steam heated
8.1	Rubber profile; 9 BREIT;1,5 X 25000	48 03 028		1 roll = 25 m



MTF Main wash zone

Steam heating

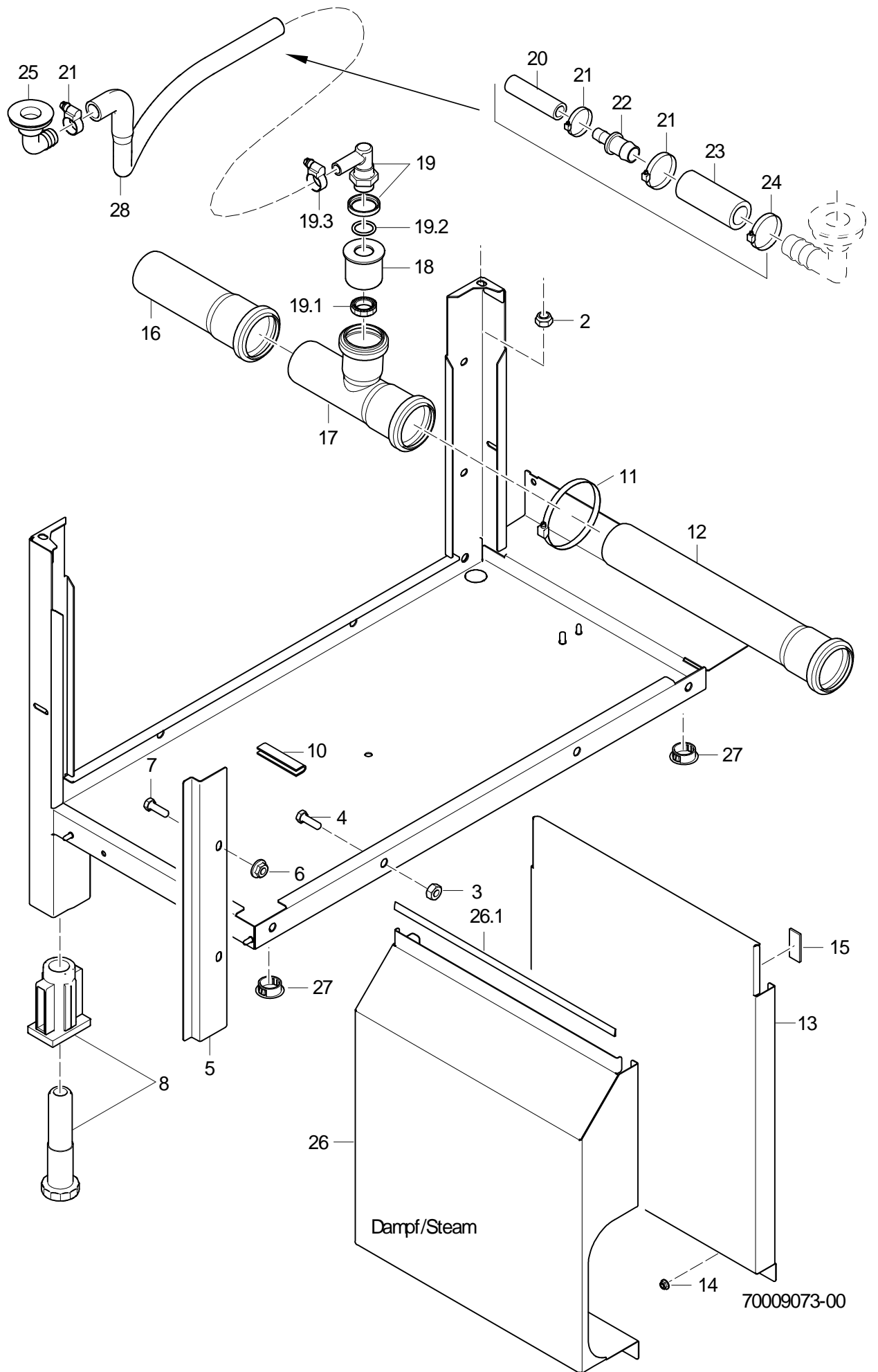
Item.	Designation	Parts no.	Pc.	Notes
1	Steam coil	70009613		
2	Support bracket; 1,5 X 53,3 X 113	70009689		
3	Washer; D5,3 X D15 X 1,2	22 05 301	2	
4	Hexagonal nut self securing; M5	21 05 302	2	
5	Centring pressure plate; G 3/4" X 12, D59	70009508	2	
6	O-ring; 43 X 7,0	27 07 088	2	
7	Steam pipe elbow	70009625		
8	O-ring; 18 X 2,5 (18,2 X 2,6)	27 07 077		
9	Reducing nipple; G 3/4" X R 1/2"; SW27	70005633		incl. item 9.1
9.1	O-ring; 18 X 2,5 (18,2 X 2,6)	27 07 077		
10	Steam distributor pipe	70009607		
11	Elbow; G 1/2"	30 02 301		
12	Condensate drain elbow	70009627		
13	Reducing nipple; G 1/2" X G 3/4"; SW27	70300681		up to machine no.: 573 882
13.1	O-ring; 18 X 2,5 (18,2 X 2,6)	27 07 077		
14	Rapid condensate drain; R 1/2"	30000730		up to machine no.: 573 882
15	Condensate drain pipe	70009617		up to machine no.: 573 882
15	Condensate drain pipe	70010547		from machine no.: 573 883
16	2/2-Way solenoid valve; R1/2";230-240V;50-60HZ	31 06 143		incl. item 16.1
16.1	Coil; 220V/50HZ	31 06 147		
16	2/2-Way solenoid valve; R1/2"; 220-230V; 60HZ	31 06 237		incl. item 16.1
16.1	Coil; 220V/60HZ	31 06 149		
16	2/2-Way solenoid valve; R1/2"; 200V; 50HZ	31 06 238		incl. item 16.1
16.1	Coil; 200V/50HZ	31 06 156		
16	2/2-Way solenoid valve; R1/2"; 200V; 60HZ	31 06 239		incl. item 16.1
16.1	Coil; 200V/60HZ	31 06 157		
17	Double nipple; G 1 1/2" X 43; SW50	70300683		incl. item 17.1
17.1	O-ring; 35,4 X 3,25	27 07 090	2	
18	Double nipple; G 1 1/4" X 43; SW46	70005739		
18.1	O-ring; 28 X 3 (28,3 X 3,1)	27 07 078	2	incl. item 18.1
19	Steam distributor pipe	70009611		
20	Condensate drain pipe	70009621		up to machine no.: 573 882
20	Condensate drain pipe	70010550		from machine no.: 573 883
21	Steam distributor pipe	70009609		
22	Condensate drain pipe	70009619		up to machine no.: 573 882
22	Condensate drain pipe	70010549		from machine no.: 573 883
23	Insulation; D35 X 19 X 1000	41 01 017		
24	Insulation; D18 X 19 X 1000	41 01 015		
25	Insulation; D28 X 19 X 1000	41 01 016		
o.P.	Adhesive; 0,5 LITER DOSE	34 03 030		
27	Thermostatic steam trap; 1/2"	29 03 012		from machine no.: 573 883

Spare parts list

MTF Intermediate zone

Contents

Base frame, water drain	Page 1 - 2
Housing	Page 3 - 4
Wash system (Option)	Page 5 - 6
Back panel (Option)	Page 7 - 8

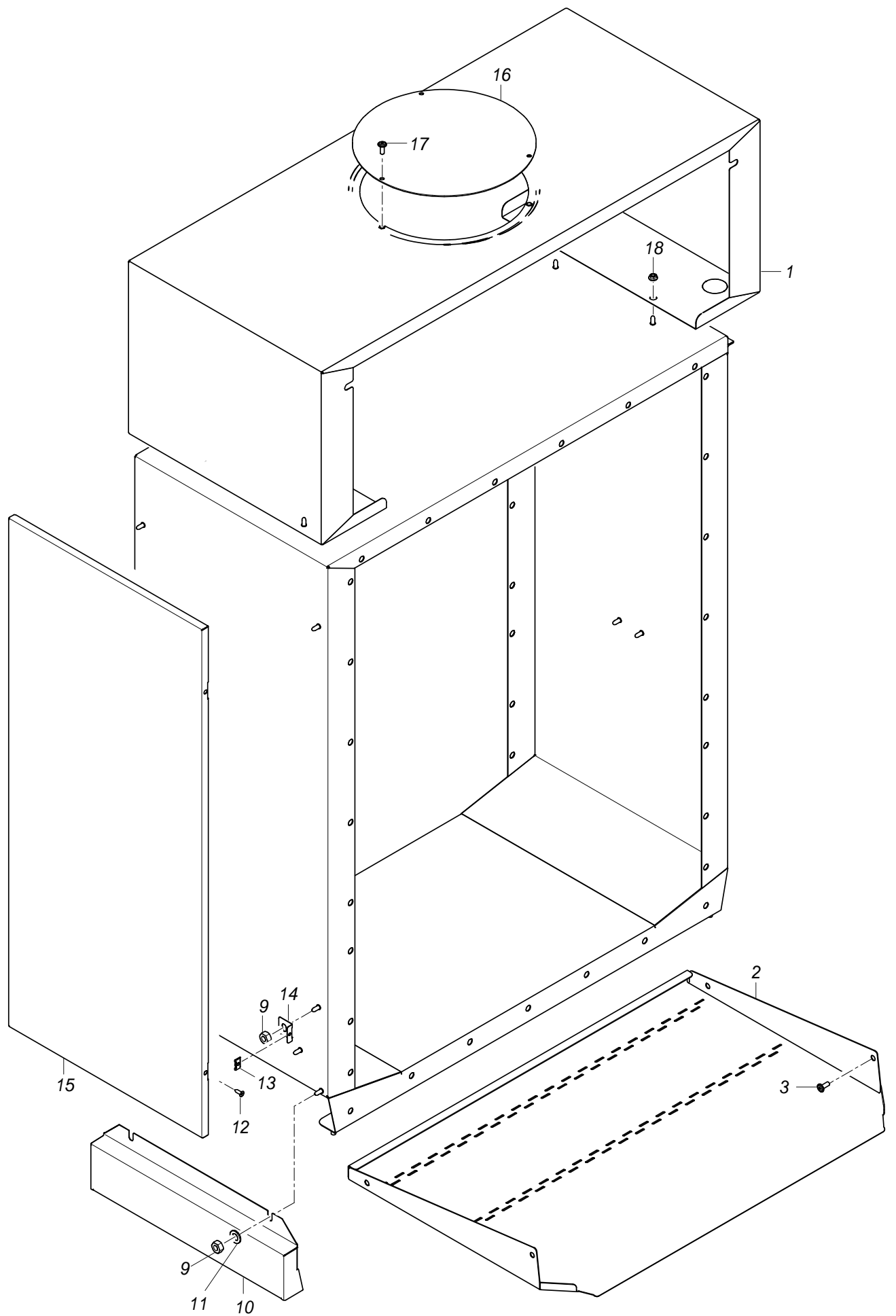


70009073-00

MTF Intermediate zone

Base frame, water drain

Item.	Designation	Parts no.	Pc.	Notes
2	Hexagonal nut; M6	21 05 304	2	
3	Hexagonal nut; M8	21 05 306	4	
4	Hexagon screw; M8 X 16; A70	20 01 302	4	
5	Splash plate; 1,25 X 63,7 X 344	70008365		
6	Ratchet nut; M6	21 01 311	2	
7	Hexagon screw; M6 X 12; A70	20 01 321	2	
8	Adjustable foot with threaded insert	61008117	2	
10	Edge protection profile; U9,5 X 2,0	40 04 015		300 mm; "By-the-metre" goods
11	Hose clamp; D50-70 x 12	30001243		
12	HT pipe; DN50 X 750	30 15 546		adapt
13	Front covering	70008252		
14	Ratchet nut; M5	21 01 310		
15	Sealing tape; 9 X 2 X 10000	30001091		1 roll = 10 m
16	HT pipe; DN50 X 250	30 15 518		
17	HT branch pipe; DN50	30 15 516		
18	HT end cap; DN50; 40MM	30 15 538		adapt
19	Water inlet, 3-part set	55 31 007		
19.1	Tank inlet set; G 1/2" X 8; SW27	61005339		
19.2	O-ring; 20 X 3	27 07 031		
19.3	Hose clamp; D12-22 X 9	30000711		
20	Industrial hose; DN13 X 3,5	40 02 035		200 mm; "By-the-metre" goods
21	Hose clamp; D12-22 X 9	30000711		
22	Hose connecting piece; 3/4" X 1/2" X 62 LG	29 06 520		
23	Industrial hose; DN19,4 X 3,5	40 01 016		200 mm; "By-the-metre" goods
24	Hose clamp; D20-30 X 12	28 02 306		
25	Valve body; 3/4"	29 04 508		
26	Covering	70009497		steam heated
26.1	Rubber profile; 9 BREIT;1,5 X 25000	48 03 028		1 roll = 25 m
27	Cap; D25,5	35 03 031	2	
28	Moulded hose; DN13 X DN16,5	70008436		

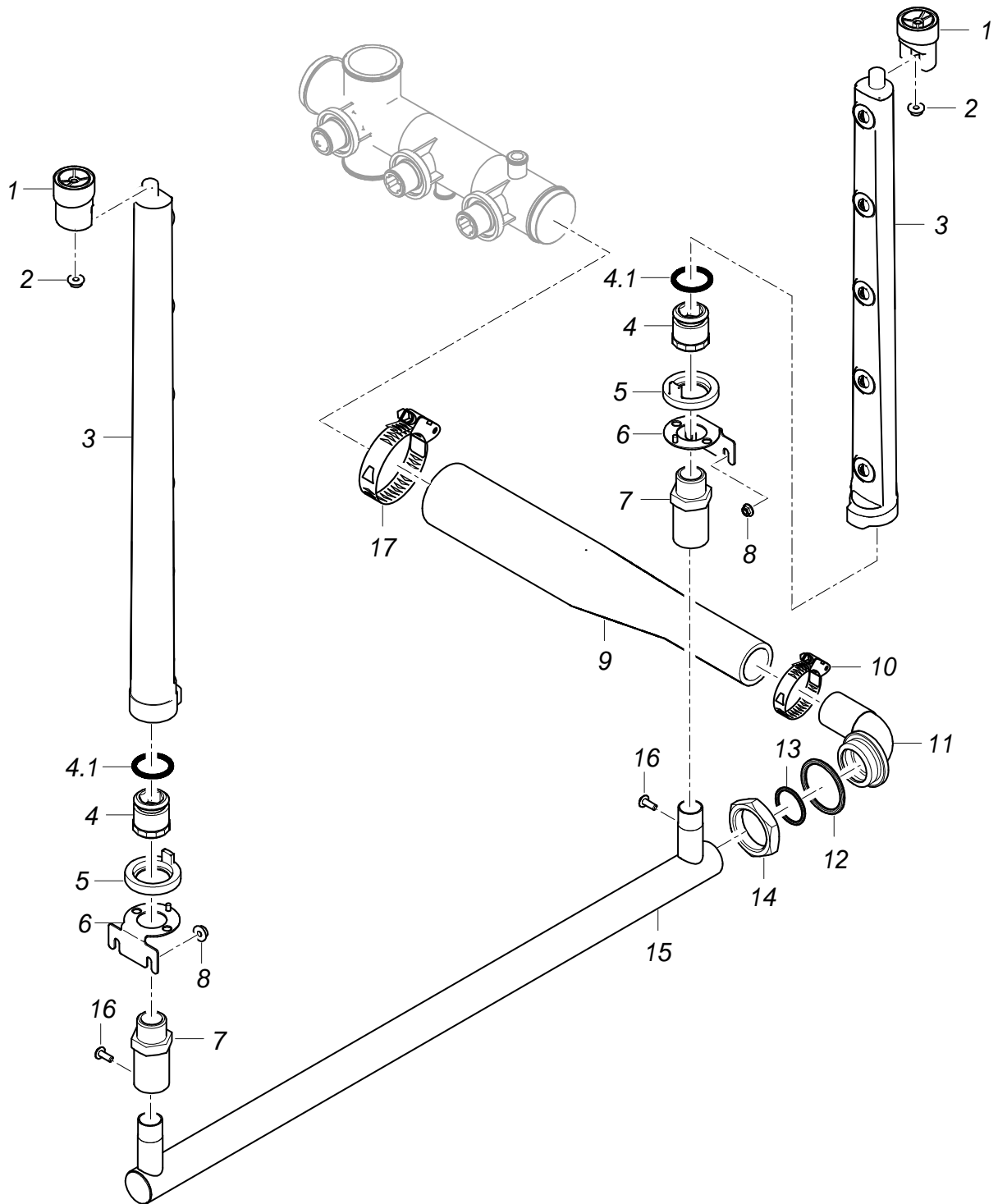


71002670-00

MTF Intermediate zone

Housing

Item.	Designation	Parts no.	Pc.	Notes
1	Intermediate housing, 350	70008238		
2	Deflector plate 350; 1,25 X 432,32 X 731,38	71001785		
3	Lens head screw; M5 X 10	20 10 306	4	
9	Hexagonal nut self securing; M5	21 05 302		
10	Water channel faceplate; 1,0 X 130,85 X 432,49	70007148		
11	Washer; D5,3 X D15 X 1,2	22 05 301		
12	Sheet metal screw; ST 3,9 X 13	20 21 302	4	
13	Plate nut; B 3,9	21 17 100	4	
14	Lug; 1,0 X 25 X 32,87	70007150	4	
15	Covering (EW zone)	70009128		
16	Round cover (intermediate housing); D234 X 1,5	70008098		
17	Lens head screw; M5 X 10	20 10 306	3	
18	Ratchet nut; M5	21 01 310	4	

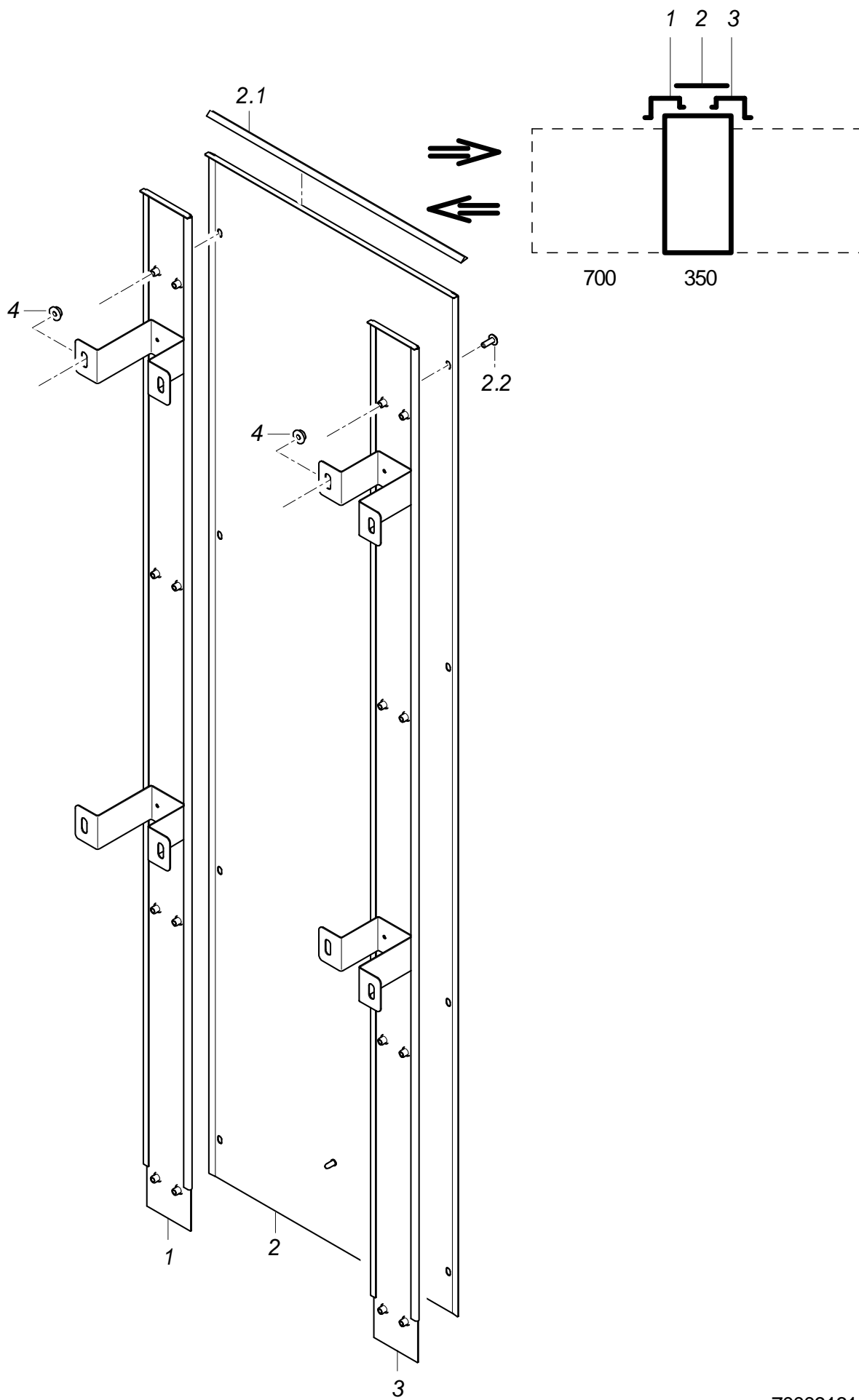


70009075-00

MTF Intermediate zone

Wash system (Option)

Item.	Designation	Parts no.	Pc.	Notes
1	Wash arm holder; D36 X 45,5	61004969	2	
2	Ratchet nut; M5	21 01 310	2	
3	Wash arm with 5 jets; 472 LG	30002021	2	
4	Locking nut	60002785	2	
4.1	Seal ring; D26 X D32,5 X 5,0	70009122		
5	Locking ring; D49 X 19,5	60002652	2	
6	Holder	70007581	2	
7	Extension piece; RD26X1/8X69,50; SW32	70007551	2	
8	Ratchet nut; M5	21 01 310	4	
9	Moulded hose; DN31 X DN50	70007584		
10	Hose clamp; D32-52 X 12	28 02 110		
11	Pipe bend	70007616		
12	O-ring; 42 X 3	27 07 073		
13	O-ring; 32 X 3	27 07 082		
14	Hex nut; G 1 1/4" X 11,5; SW50	61002545		
15	Pipe, welded	70007601		
16	Lens head screw; M4 X 8	30011585	2	
17	Hose clamp; D50-70 x 12	30001243		



70009161-00

MTF Intermediate zone

Back panel (Option)

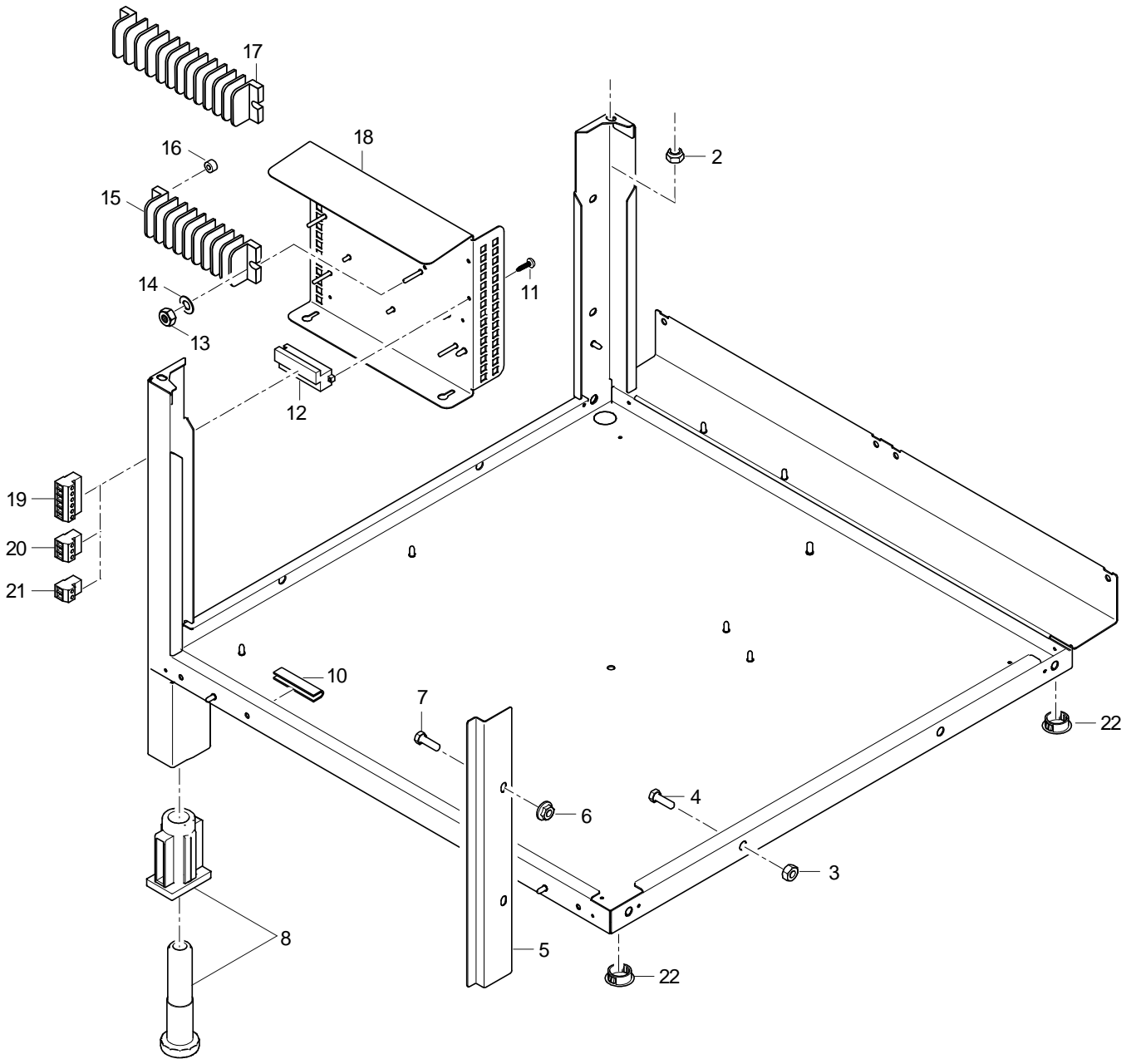
Item.	Designation	Parts no.	Pc.	Notes
1	Back wall rail	70008139		Option
2	Back panel 350	70009172		Option
2.1	Rubber profile; 9 BREIT;1,5 X 25000	48 03 028		1 roll = 25 m
2.2	Raised head screw with flange; M5 X 12 MIT FLANSCH	20 10 006	8	
3	Back wall rail	70008140		Option
4	Ratchet nut; M5	21 01 310		

Spare parts list

MTF Rinse zone

Contents

Base frame		Page 1 - 2
Water drain, roof cleaning		Page 3 - 4
Housing, Tank heating		Page 5 - 8
Pump rinsing		Page 9 - 12
Boiler		Page 13 - 16
Rinsing		Page 17 - 18
Rinse system (reduced)	Option	Page 19 - 20
Rinsing (double)		Page 21 - 22
Coaxial heat exchanger		Page 23 - 24
Door		Page 25 - 26
Panelling		Page 27 - 28
Back panel		Page 29 - 30
Exhaust air pipes		Page 31 - 32
Exhaust air without heat exchanger		Page 33 - 34
Exhaust air with heat exchanger		Page 35 - 36
Cleaning of heat exchanger		Page 37 - 38
Exhaust air with heat pump Climate		Page 39 - 40
Cleaning of heat pump Climate		Page 41 - 42
Exhaust air with heat pump Climate+		Page 43 - 44
Hoses heat pump Climate+		Page 45 - 46
Circulating coaxial heat exchanger		Page 47 - 48
Cleaning of heat pump Climate+		Page 49 - 50
Steam heating		Page 51 - 56

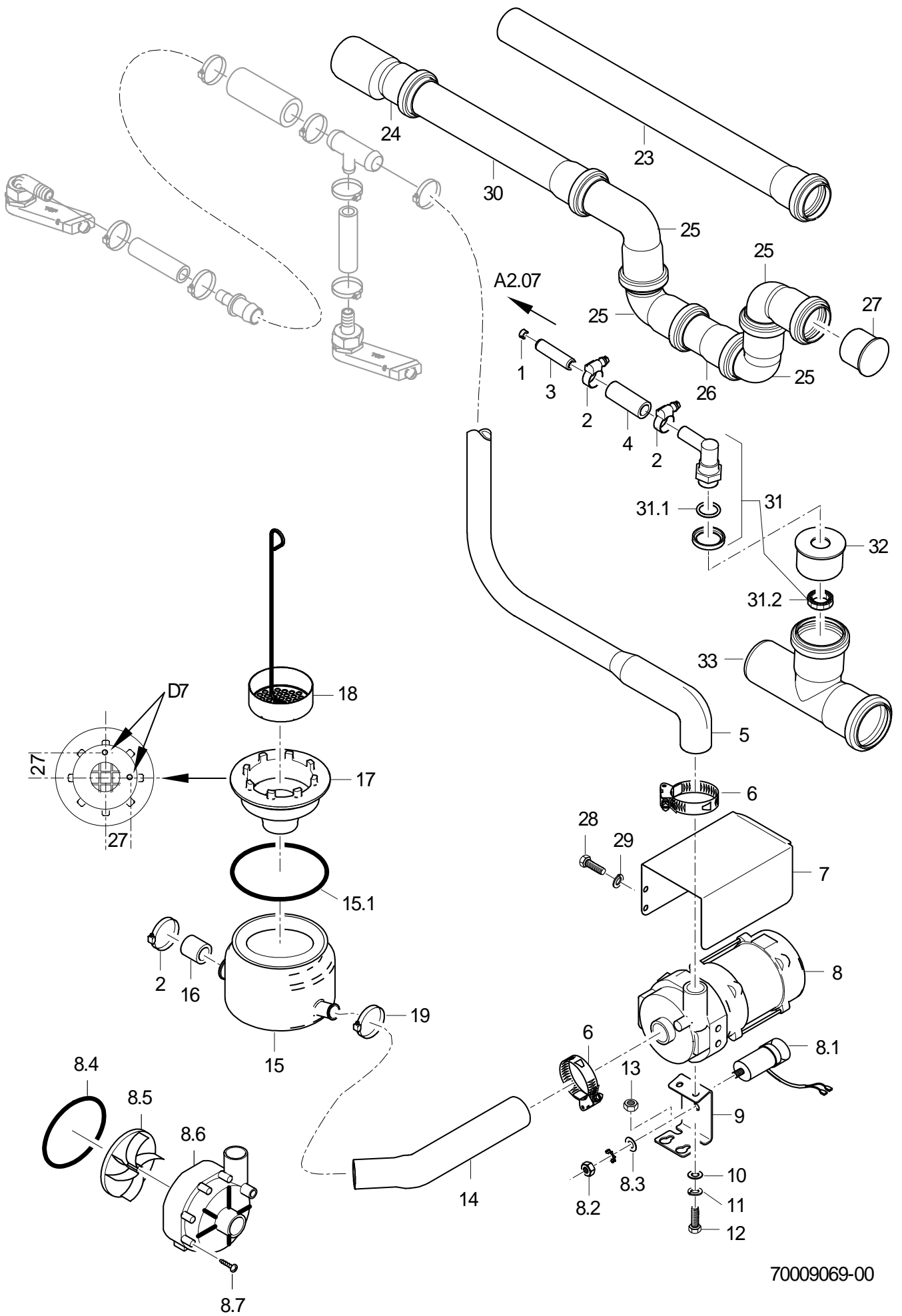


70009026-00

MTF Rinse zone

Base frame

Item.	Designation	Parts no.	Pc.	Notes
2	Hexagonal nut; M6	21 05 304		
3	Hexagonal nut; M8	21 05 306		
4	Hexagon screw; M8 X 16; A70	20 01 302		
5	Splash plate; 1,25 X 63,7 X 344	70008365		
6	Ratchet nut; M6	21 01 311	2	
7	Hexagon screw; M6 X 12; A70	20 01 321	2	
8	Adjustable foot with threaded insert	61008117	2	
10	Edge protection profile; U9,5 X 2,0	40 04 015		600 mm; "By-the-metre" goods
11	Sheet metal screw; ST 3,9 X 9,5	20 20 307	6	
12	Plug block, MVSTBU; 2,5/12-GB-5,08	31 09 248	3	
13	Hexagonal nut self securing; M4	21 05 300		
14	Washer; D4,3 X D12 X 1,0	22 05 300		
15	Terminal strip; 12-POLIG	31 09 212		
16	Spacer; D5,3 X D12 X 7	22 08 513		
17	Terminal strip; 16-POLIG	31 09 154		
18	Mounting plate	70007558		
19	Plug MSTB; 2,5/6-ST-5,08	31 09 257		6-pole
20	Plug MSTB; 2,5/3-ST-5,08	31 09 250		3-pole
21	Plug MSTB; 2,5/2-ST-5,08	31 09 249		2-pole
22	Cap; D25,5	35 03 031	2	

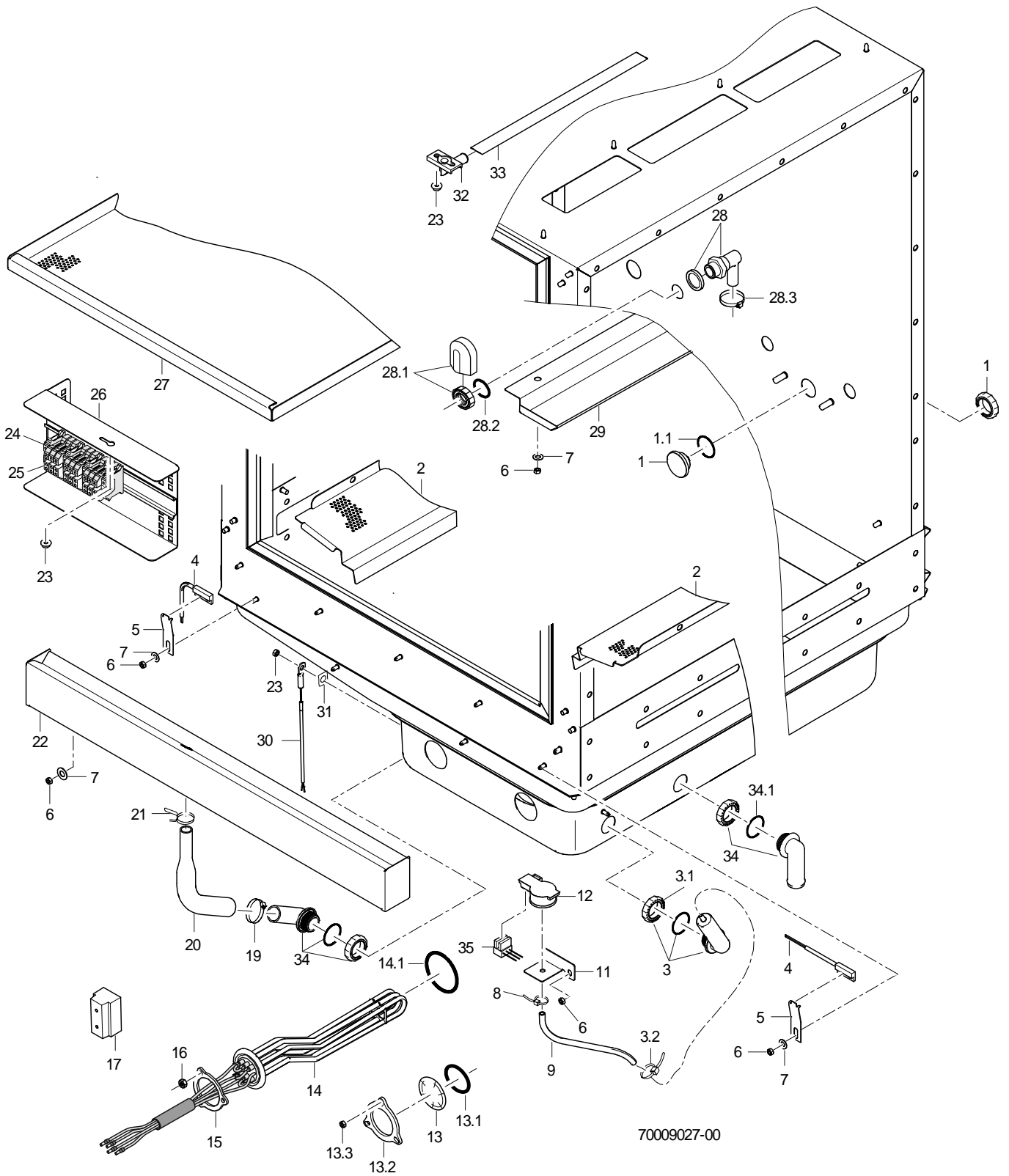


70009069-00

MTF Rinse zone

Water drain, roof cleaning

Item.	Designation	Parts no.	Pc.	Notes
1	Flow control; 3 L/MIN; VIOLETT	31 06 176		Only for machines with a heat pump Climate+
2	Hose clamp; D12-22 X 9	30000711		
3	Hose socket; D13 X D13	29 06 509		Only for machines with a heat pump Climate+
4	Industrial hose; DN13 X 3,5	40 02 035		1000 mm; "By-the-metre" goods
5	Moulded hose; DN18 X DN26	70007807		
6	Hose clamp; D32-52 X 12	28 02 110		
7	Cover; 0,8 X 150,41 X 233,5	70010146		
8	Pump 0.270 kW 8/0; 220/240V/1/50HZ	31 02 477		Repair recommended only for pump housings with 7 screws
8	Pump 0.270 kW 8/0; 220/240V/1/60HZ	31 02 445		Repair recommended only for pump housings with 7 screws
8	Pump 0.270 kW 8/0; 200V/1/50HZ	31 02 446		
8	Pump 0.270 kW 8/0; 200V/1/60HZ	31 02 447		
8.1	Capacitor; 5 MIKRO F	31 13 099		
8.2	Hexagonal nut; M8	21 01 305		
8.3	Spring washer; B8	23 03 301		
8.4	Cord; D=78 X 3; SHOR 50-55;	40 04 023		
8.5	Pump impeller with counter ring; UP60/UP30 - 50HZ	31 02 466		50 Hz
8.5	Pump impeller, installed; FÜR UP60 MIT 60HZ	31 02 587		60 Hz
8.6	Pump housing; D=80,5MM	31 02 519		
8.7	Screw for pump housing; D4X35 PT	31 01 118	7	
9	Retainer; 2,0 X 45 X 129,64	70009362		
10	Washer; D6,4 X D12,5 X 1,6	22 01 302	2	
11	Spring washer; B6	23 03 300	2	
12	Hexagon screw; M6 X 16; A70	20 01 306	2	Only for machines with a heat pump Climate+
13	Hexagonal nut self securing; M5	21 05 302	2	
14	Moulded hose; DN24 X DN28	70007804		
15	Sump pot	61005186		
15.1	O-ring; 91 X 3,5	27 07 075		
16	End cap; DN15,5 X 4,0 X 24	61005981		
17	Sump drain set	61006178		
18	Sump filter; D70	65005555		
19	Hose clamp; 25 - 40MM / 12MM	30002612		
23	HT pipe; DN50 X 750	30 15 546		adapt
24	HT reducer; DN50 X DN40	30 15 521		
25	HT bend; DN40; 87GRAD	30 15 505		
26	HT pipe; DN40 X 250	30 15 503		adapt
27	HT end cap; DN40	30 15 559		Machine without dry zone
28	Hexagon screw; M6 X 16; A70	20 01 306	2	
29	Spring washer; B6	23 03 300	2	
30	HT pipe; DN40 X 500	30 15 502		adapt
31	Water inlet, 3-part set	55 31 007		Only for machines with a heat pump
31.1	O-ring; 20 X 3	27 07 031		
31.2	Tank inlet set; G 1/2" X 8; SW27	61005339		
32	HT end cap; DN50; 40MM	30 15 538		
33	HT branch pipe; DN50	30 15 516		

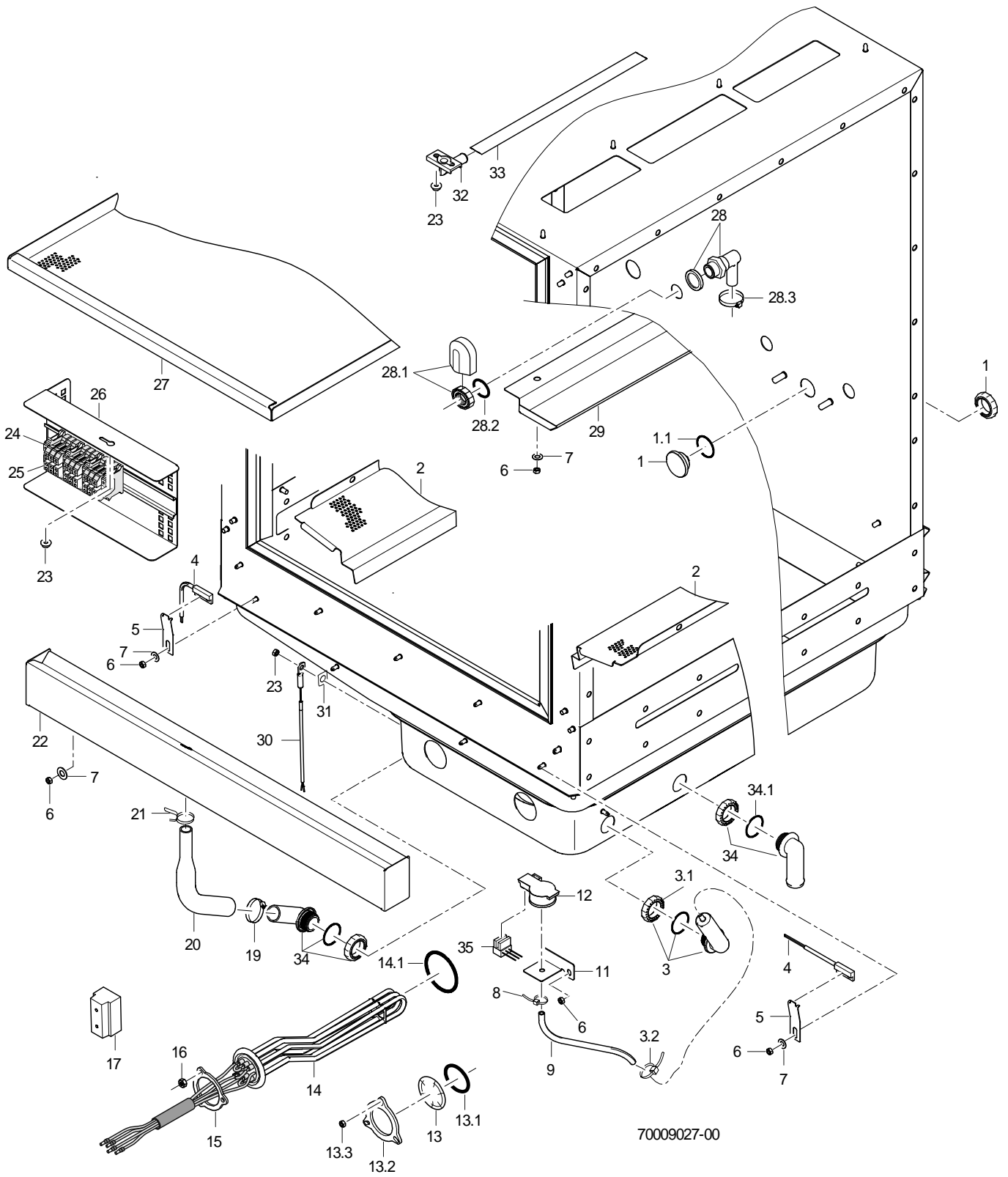


MTF Rinse zone

Housing, Tank heating

Item.	Designation	Parts no.	Pc.	Notes
1	Dummy plug; G 3/4" X 21,7;SW10;SW5	70005109		Machine with dry zone
1.1	O-ring; 26 X 2,5	27 07 062		
2	Filter support plate; 1,25 X 167,94 X 678,2	70005922	2	
3	Air chamber set	60003525		
3.1	Nut; D26,2 X 8,5; SW32	60004612		
3.2	Cable tie; 100 X 2,5	31 20 175		
4	Solenoid switch; 32 X 14,9 X 6,9;1350MM	31 24 272	2	
5	Holder; 0,8 X 19 X 65	70007658	2	
6	Hexagonal nut self securing; M5	21 05 302		
7	Washer; D5,3 X D15 X 1,2	22 05 301		
8	Cable tie; 100 X 2,5	31 20 175		
9	Hose; DN5 X 1,5	40 01 024		170 mm; "By-the-metre" goods
11	Holder; 1,25 X 58,35 X 60	70008942		
12	Pressure transmitter; 0-30MBAR;5VDC/0,5-3,5V	31 26 044		
13	Blind flange	60002787		
13.1	O-ring; 43 X 7,0	27 07 088		
13.2	Locking washer; D43 X D80 X 4,0	01 17 003		
13.3	Hexagonal nut; M5	21 01 203	3	
14	Heating element, wash tank 6.0 kW with fuse; 400-440V, 3~, 6KW	30008051		
14	Heating element, wash tank 6.0 kW with fuse; 400-440V, 3~, 6KW	30008052		Australia
14	Heating element, wash tank 4,7/6,2 kW with fuse; 200V, 3~, 4,7KW/230V, 3~, 6,2KW	30008049		
14	Heating element, wash tank 6.0 kW with fuse; 200V, 3~, 6KW	30008053		
14	Heating element, wash tank 3 kW with fuse; 400-440V, 3~, 3KW	30008048		
14	Heating element, wash tank 3 kW with fuse; 230V, 3~, 3KW	30008056		
14	Heating element, wash tank 3 kW with fuse; 200V, 3~, 3KW	30008055		
14.1	O-ring; 43 X 7,0	27 07 088		
15	Locking washer; D43 X D80 X 4,0	01 17 003		
16	Hexagonal nut; M5	21 01 203	3	
17	Appliance terminal G10/4; 4-POLIG; 10QMM	31 09 227		
19	Hose clamp; D20-32 X 9	30008124		

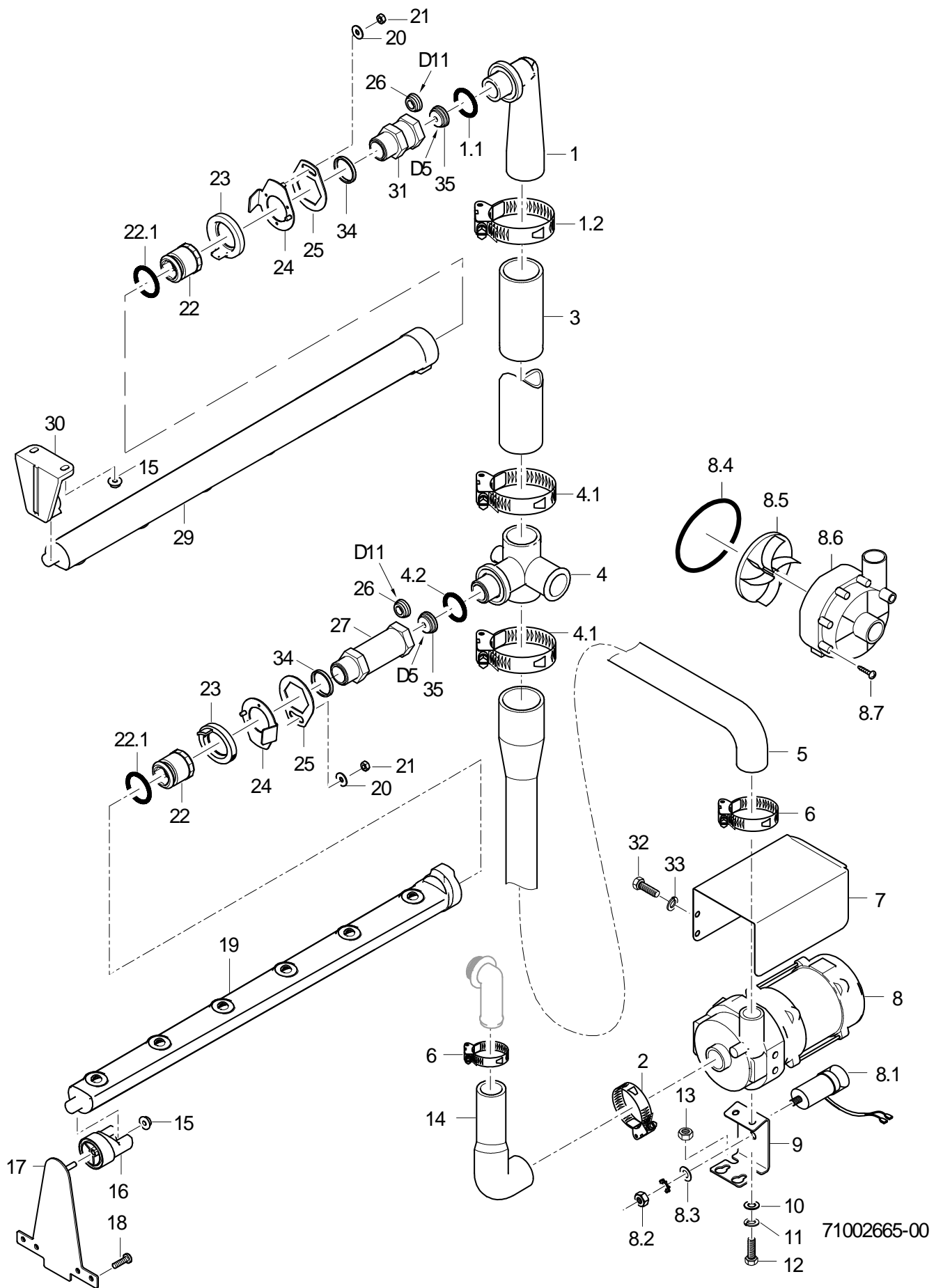
For missing items, see next page



MTF Rinse zone

Housing, Tank heating

Item.	Designation	Parts no.	Pc.	Notes
20	Moulded hose; DN13 X DN22 X 2; 213	70006835		
21	Self-clamping hose clamp; D18,7 - 19,6	28 02 015		
22	Water channel	70006289		
23	Ratchet nut; M5	21 01 310		
24	Double terminal, UK, 5-Twin-PE	31 09 165		
25	Double terminal, UK, 5-Twin	31 09 115		
26	Holder	70007599		
27	Strainer; 1,20 X 583,03 X 752	70005926		
28	Water inlet, 3-part set	55 31 007		
28.1	Tank inlet set; G 1/2" X 8; SW27	61005339		
28.2	O-ring; 20 X 3	27 07 031		
28.3	Hose clamp; D12-22 X 9	30000711		
29	Channel, L-R; 1,0 X 143,35 X 602,2	70008200		left - right
29	Channel, R-L; 1,0 X 143,35 X 602,2	70008096		right - left
30	Thermal sensor kit 1000mm	80003803		up to machine no.: 1057447
30	Kit thermal sensor	30000126		from machine no.: 1057448
31	Heat conducting foil with hole; 0,25 X 12 X 15	61005285		
32	Deaeration; DN13	61003425		
33	Drain pipe; D16 X 1,0 X 338	70009330		
34	KIT PIPE NIPPLE	70010803		
35	Cable pressure transmitter; 3 X 0,34; 980 LG	70007794		



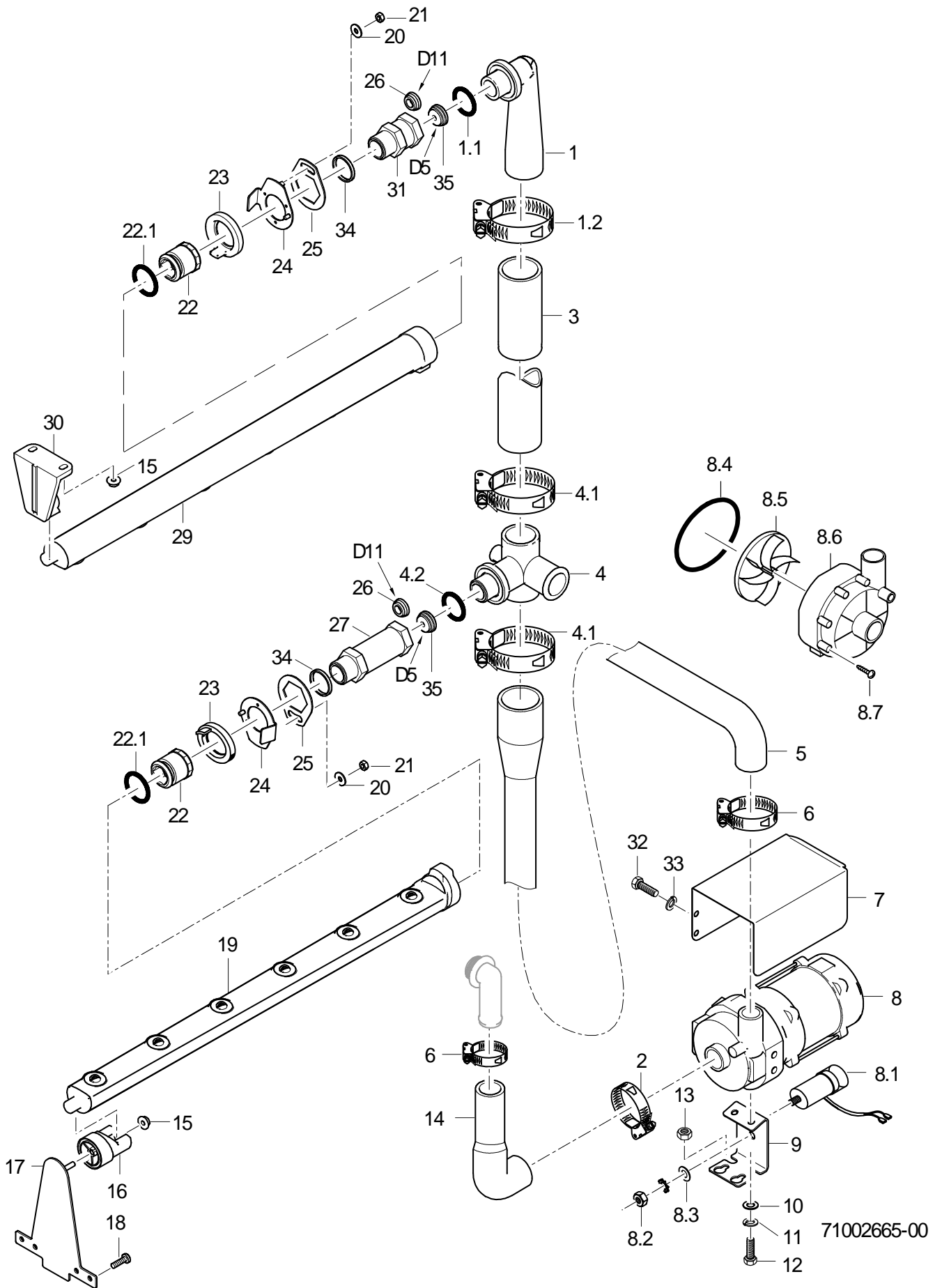
71002665-00

MTF Rinse zone

Pump rinsing

Item.	Designation	Parts no.	Pc.	Notes
1	Manifold elbow	60002786		
1.1	O-ring; 29,5 X 4,5	27 07 008		
1.2	Hose clamp; D32-52 X 12	28 02 110		
3	Industrial hose; DN38 X 4,0	40 02 014		425 mm; "By-the-metre" goods
4	Wash distributor, T-piece	70004633		
4.1	Hose clamp; D32-52 X 12	28 02 110	2	
4.2	O-ring; 29,5 X 4,5	27 07 008		
5	Moulded hose; DN25 X DN38 X 4,0	70006869		heated electrically; left - right
5	Moulded hose; DN25 X DN38 X 4,0	70007816		heated electrically; right - left
5	Moulded hose; DN25 X DN38 X 4,0	70010387		steam heated left - right
5	Moulded hose; DN25 X DN38 X 4,0	70010388		steam heated right - left
6	Hose clamp; 25 - 40MM / 12MM	30002612		
7	Cover; 0,8 X 150,41 X 233,5	70010146		
8	Pump 0.270 kW 8/0; 220/240V/1/50HZ	31 02 477		Repair recommended only for pump housings with 7 screws
8	Pump 0.270 kW 8/0; 220/240V/1/60HZ	31 02 445		Repair recommended only for pump housings with 7 screws
8	Pump 0.270 kW 8/0; 200V/1/50HZ	31 02 446		Repair recommended only for pump housings with 7 screws
8	Pump 0.270 kW 8/0; 200V/1/60HZ	31 02 447		Repair recommended only for pump housings with 7 screws
8.1	Capacitor; 5 MIKRO F	31 13 099		
8.2	Hexagonal nut; M8	21 01 305		
8.3	Spring washer; B8	23 03 301		
8.4	Cord; D=78 X 3; SHOR 50-55;	40 04 023		
8.5	Pump impeller with counter ring; UP60/UP30 - 50HZ	31 02 466		50 Hz
8.5	Pump impeller, installed; FÜR UP60 MIT 60HZ	31 02 587		60 Hz
8.6	Pump housing; D=80,5MM	31 02 519		
8.7	Screw for pump housing; D4X35 PT	31 01 118	7	
9	Retainer; 2,0 X 45 X 129,64	70009362		
10	Washer; D6,4 X D12,5 X 1,6	22 01 302	2	
11	Spring washer; B6	23 03 300	2	
12	Hexagon screw; M6 X 16; A70	20 01 306	2	
13	Hexagonal nut self securing; M5	21 05 302	2	
14	Moulded hose; DN23 X DN28	70007803		
15	Ratchet nut; M5	21 01 310		
16	Wash arm holder; D36 X 45,5	61004969		
17	Holder	71002003		
18	Lens head screw; M5 X 10	20 10 306	2	
19	Wash arm with 6 jets; 568 LG	30002022		up to machine no.: 1095258
19	Washarm with 5 jets; 5 DÜSEN; 472 LG	70011278		from machine no.: 1095259
20	Washer; D5,3 X D15 X 1,2	22 05 301		

For missing items, see next page

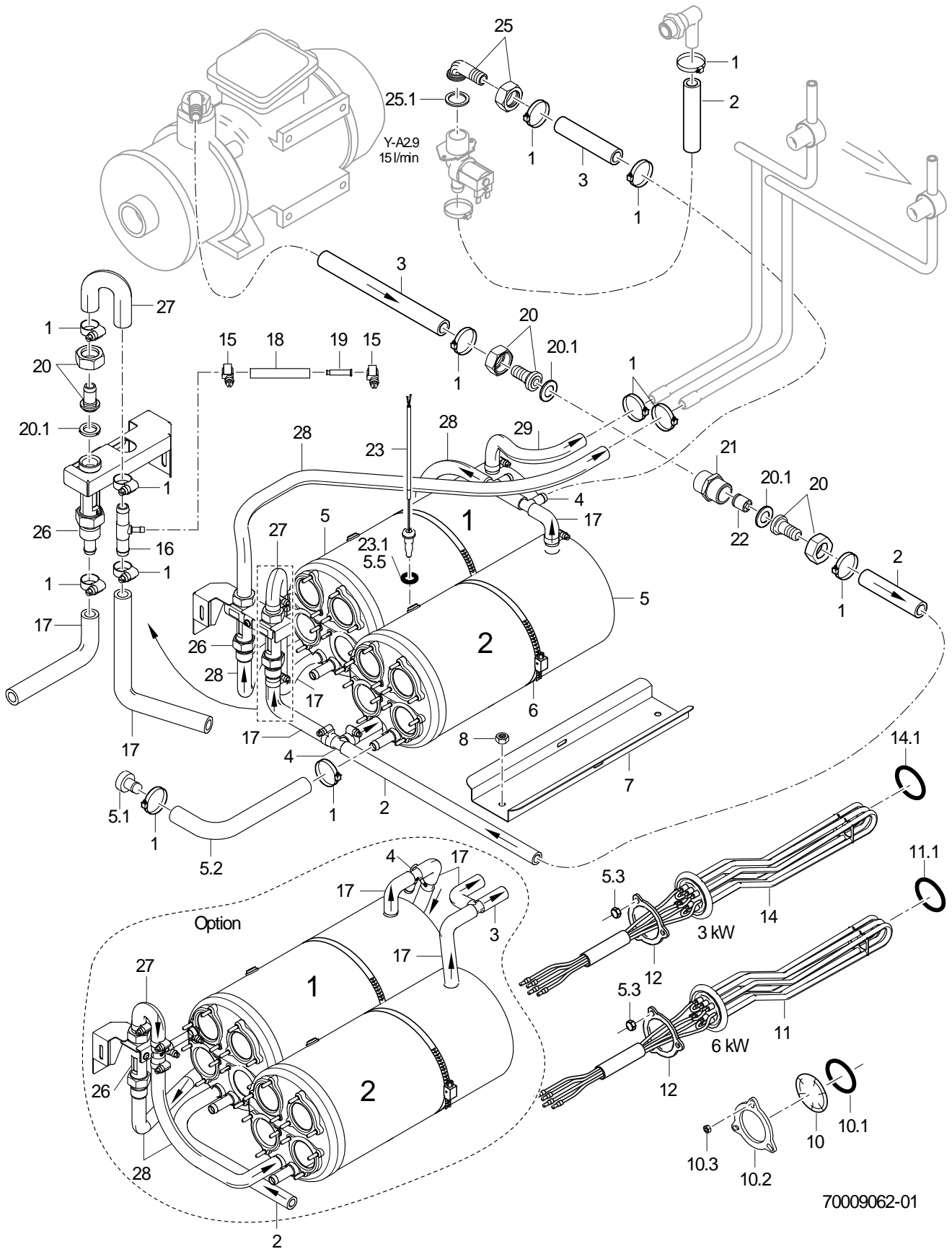


71002665-00

MTF Rinse zone

Pump rinsing

Item.	Designation	Parts no.	Pc.	Notes
21	Hexagonal nut self securing; M5	21 05 302		
22	Locking nut	60002785		
22.1	Seal ring; D26 X D32,5 X 5,0	70009122		
23	Locking ring; D49 X 19,5	60002652		
24	Adjusting disc	70011445		
25	Adjusting disc; 2,5 X 50 X 59	70007670		
26	Restrictor; D11 X D23,2 X 9,0	70006466		up to machine no.: 1095258
27	Extension piece; RD26X1/8X 53; SW32	71001455		
29	Wash arm with 6 jets; 568 LG	30002022		up to machine no.: 1095258
29	Washarm with 5 jets; 5 DÜSEN; 472 LG	70011278		from machine no.: 1095259
30	Snapper; 31 X 64 X 67	70007673		
31	Extension piece; RD26X1/8X 53; SW32	71001455		
32	Hexagon screw; M6 X 16; A70	20 01 306	2	
33	Spring washer; B6	23 03 300	2	
34	Washer; D26,2 X D29,8 X 3,0	70011413		from machine no.: 1095259
35	Restrictor; D5 X D23,2 X 9	70011292		from machine no.: 1095259

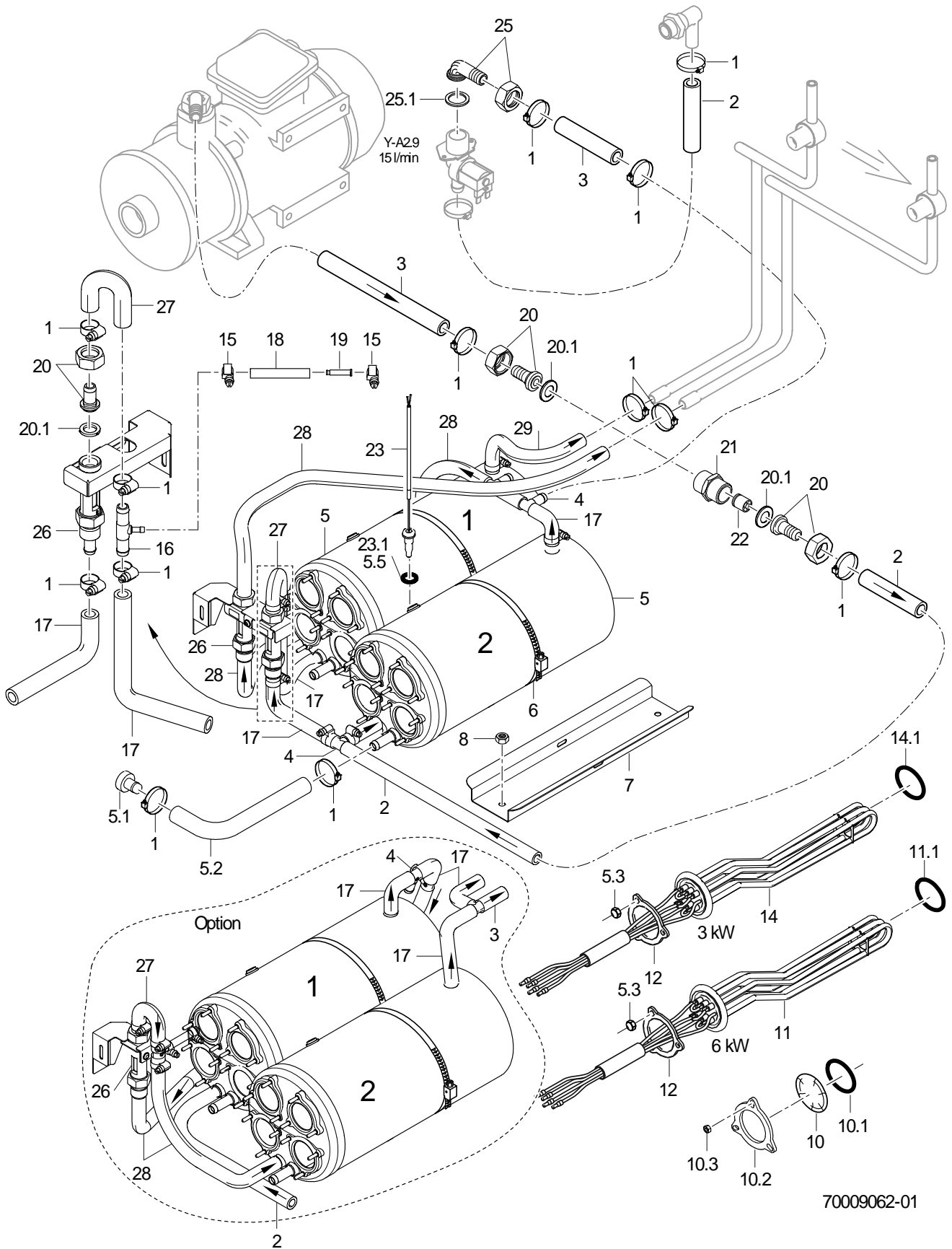


MTF Rinse zone

Boiler

Item.	Designation	Parts no.	Pc.	Notes
1	Hose clamp; D12-22 X 9	30000711		
2	Hose bender; DN12,5 X 4,0	70004474		
3	Industrial hose; DN13 X 3,5	40 02 035		1000 mm; "By-the-metre" goods
4	Hose T-connecting piece; D15 X D15 X D15	70010598		
5	4-hole boiler set	70008915	2	
5.1	Plug; D24 X D13,1 X 27	70007962		
5.2	Hose elbow 90°; DN12,5 X 4,0; 40 X 200	65005547		
5.3	Hexagonal nut; M5	21 01 203	4	
5.4	O-ring; 43 X 7,0	27 07 088	4	
5.5	O-ring; 10 X 1	27 07 054		
6	Hose clamp; D50-215 X 12	28 02 126	2	
7	Boiler support; 1,0 X 122 X 300	70007924	2	
8	Hexagonal nut self securing; M5	21 05 302	4	
10	Blind flange	60002787		
10.1	O-ring; 43 X 7,0	27 07 088		
10.2	Locking washer; D43 X D80 X 4,0	01 17 003		
10.3	Hexagonal nut; M5	21 01 203	3	
11	Heating element, boiler 6.0 kW with fuse; 400-440V, 3~, 6KW	30008044		
11	Heating element, boiler 6.0 kW with fuse; 400-440V, 3~, 6KW	30008045		Australia
11	Heating element, boiler 6.0 kW with fuse; 230V, 3~, 6KW	30008050		
11	Heating element, boiler 6.0 kW with fuse; 200V, 3~, 6KW	30008046		
11.1	O-ring; 43 X 7,0	27 07 088		
12	Locking washer; D43 X D80 X 4,0	01 17 003		
14	Heating element, boiler 3.0 kW with fuse; 400-440V, 3~, 3KW	30008041		
14	Heating element, boiler 3.0 kW with fuse; 230V, 3~, 3KW	30008043		
14	Heating element, boiler 3.0 kW with fuse; 200V, 3~, 3KW	30008042		
14.1	O-ring; 43 X 7,0	27 07 088		
15	Hose clamp; D8-12 X 9	28 02 102	2	
16	Hose T-connecting piece; D15 X D15 X D10	70010599		
17	Moulded hose; DN12,5 X 4,0	70010855		
18	Industrial hose; DN5 X 3,0	40 01 032		70 mm; "By-the-metre" goods
19	Bolt; D6 X 30	70200383		

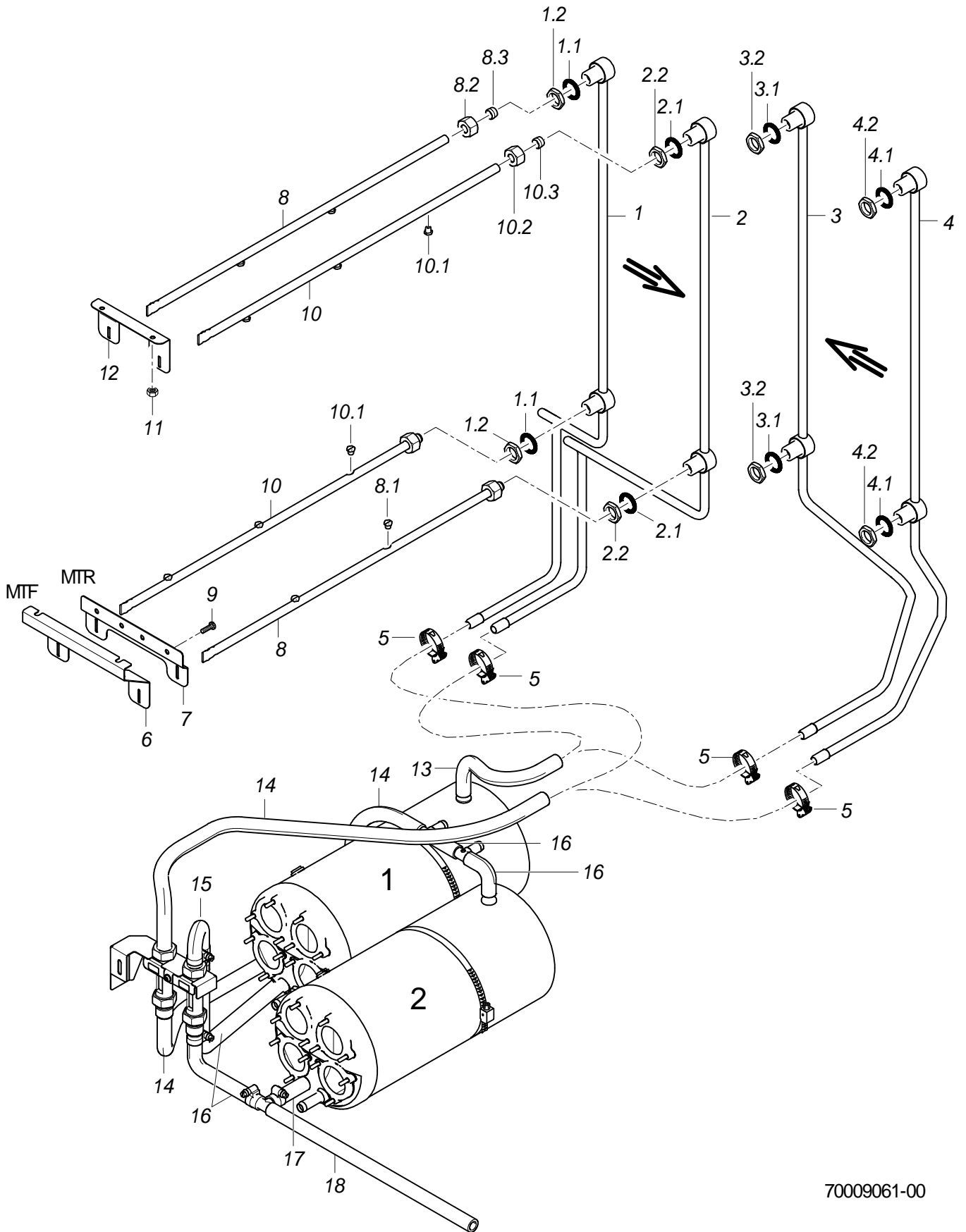
For missing items, see next page



MTF Rinse zone

Boiler

Item.	Designation	Parts no.	Pc.	Notes
20	Hose coupling; R 3/4" X 1/2"	60002453		
20.1	Gasket; D16 X D24 X 3,0	83001022		
21	DOUBLE NIPPLE; G 3/4" X 40; SW30	80002167		
22	Check valve; DW 20	29 01 512		
23	Thermosensor set	71002591		
23.1	O-ring; 10 X 1	27 07 054		
25	Hose nipple, angled; D18	60002474		
25.1	Gasket; D16 X D24 X 3,0	83001022		
26	Flow regulator kit; 1 - 3,5 L/MIN	30000213		Not for rinse water bypass
27	Hose bend; DN12,5 X 4,0	70010794		
28	Moulded hose; DN12,5 X 4,0	70010905		
29	Industrial hose; DN13 X 3,5	40 02 035		600 mm; "By-the-metre" goods

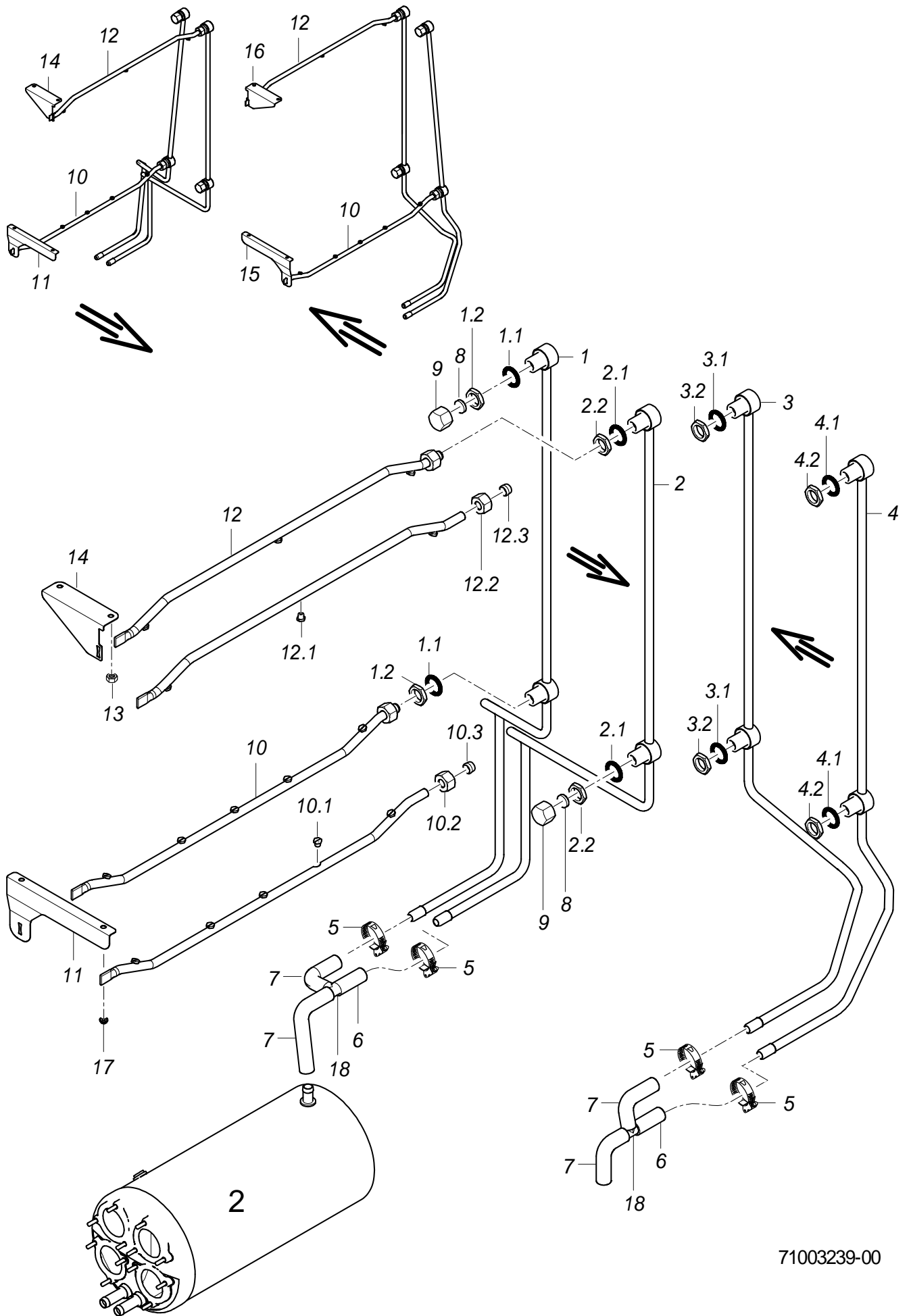


70009061-00

MTF Rinse zone

Rinsing

Item.	Designation	Parts no.	Pc.	Notes
1	Rinse manifold	70009063		left - right
1.1	O-ring; 20 X 3,5	27 07 040	2	
1.2	Hexagonal nut; G 1/2" X 6; SW27	61004994	2	
2	Rinse manifold	70009064		left - right
2.1	O-ring; 20 X 3,5	27 07 040	2	
2.2	Hexagonal nut; G 1/2" X 6; SW27	61004994	2	
3	Rinse manifold	70009065		right - left
3.1	O-ring; 20 X 3,5	27 07 040	2	
3.2	Hexagonal nut; G 1/2" X 6; SW27	61004994	2	
4	Rinse manifold	70009066		right - left
4.1	O-ring; 20 X 3,5	27 07 040	2	
4.2	Hexagonal nut; G 1/2" X 6; SW27	61004994	2	
5	Hose clamp; D12-22 X 9	30000711		
6	Holder; 1,5 X 136,4 X 200	71001969		MTF
7	Holder; 1,5 X 69,2 X 200	70007988		MTR
8	Rinse pipe, 2 jets; 2 DÜSEN; 590 LG	70009068		
8.1	Flat jet nozzle; 1/16 NPT; SW10	29 10 312	2	
8.2	Coupling nut; G 1/2" X D12,2; SW24	29 07 301		
8.3	Cutting ring; D12 X 10	29 07 304		
9	Lens head screw; M5 X 10	20 10 306	2	
10	Rinse pipe, 3 jets; 3 DÜSEN; 590 LG	70009067		
10.1	Flat jet nozzle; 1/16 NPT; SW10	29 10 312	3	
10.2	Coupling nut; G 1/2" X D12,2; SW24	29 07 301		
10.3	Cutting ring; D12 X 10	29 07 304		
11	Hexagonal nut self securing; M5	21 05 302	2	
12	Holder; 1,25 X 48,85 X 120	70006963		
13	Industrial hose; DN13 X 3,5	40 02 035		600 mm; "By-the-metre" goods
14	Moulded hose; DN12,5 X 4,0	70010905		
15	Hose bend; DN12,5 X 4,0	70010794		
16	Moulded hose; DN12,5 X 4,0	70010855		
17	Industrial hose; DN13 X 3,5	40 02 035		60 mm; "By-the-metre" goods
18	Hose bender; DN12,5 X 4,0	70004474		

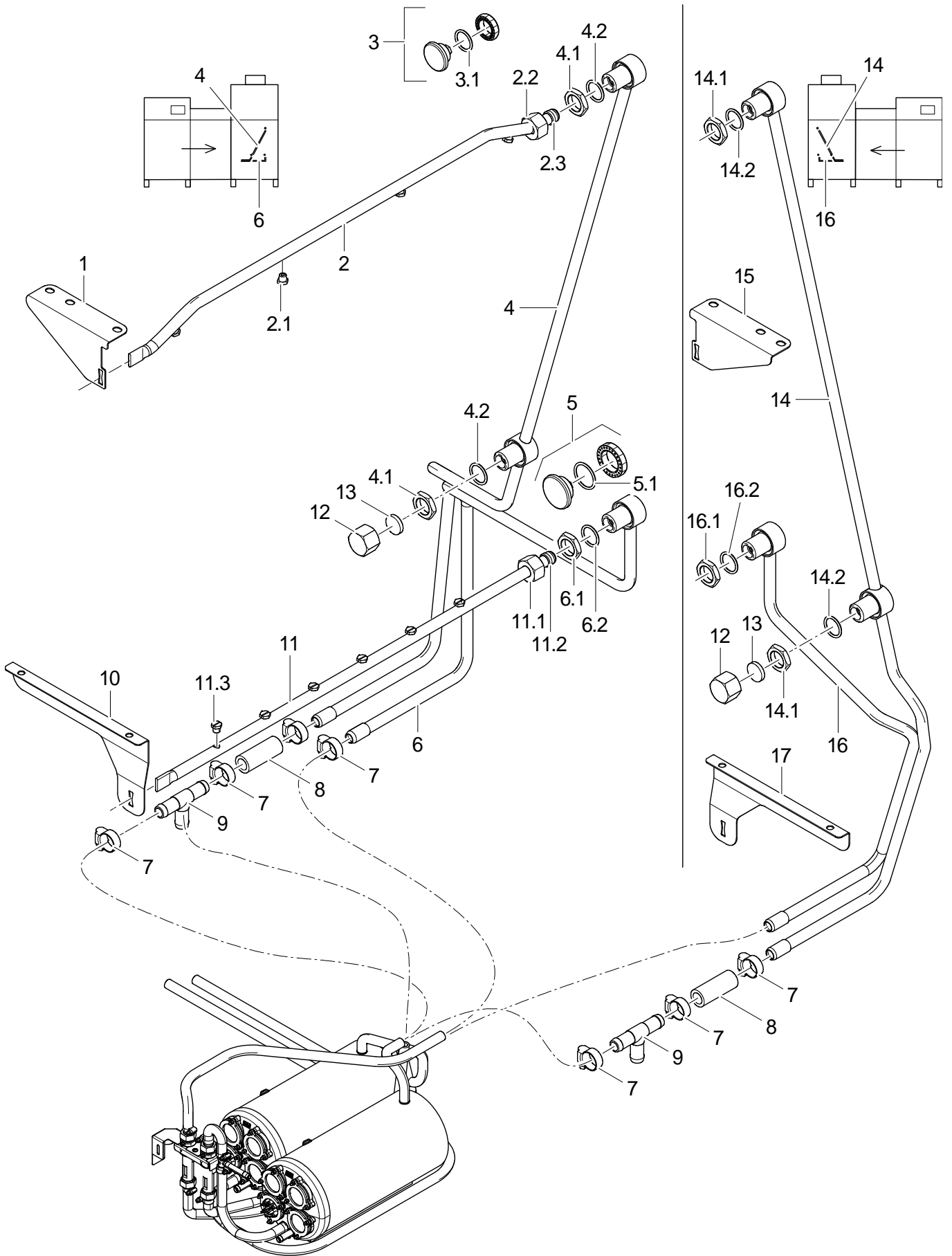


71003239-00

MTF Rinse zone

Rinse system (reduced) Option

Item.	Designation	Parts no.	Pc.	Notes
1	Rinse manifold	70009063		left - right
1.1	O-ring; 20 X 3,5	27 07 040	2	
1.2	Hexagonal nut; G 1/2" X 6; SW27	61004994	2	
2	Rinse manifold	70009064		left - right
2.1	O-ring; 20 X 3,5	27 07 040	2	
2.2	Hexagonal nut; G 1/2" X 6; SW27	61004994	2	
3	Rinse manifold	70009065		right - left
3.1	O-ring; 20 X 3,5	27 07 040	2	
3.2	Hexagonal nut; G 1/2" X 6; SW27	61004994	2	
4	Rinse manifold	70009066		right - left
4.1	O-ring; 20 X 3,5	27 07 040	2	
4.2	Hexagonal nut; G 1/2" X 6; SW27	61004994	2	
5	Hose clamp; D12-22 X 9	30000711		
6	Industrial hose; DN13 X 3,5	40 02 035		1000 mm; "By-the-metre" goods
7	Moulded hose; DN12,5 X 4,0	70010855		
8	Sealing washer; D18,5 X 4,0	70010782	2	
9	Locking cap; G 1/2"	29 07 228	2	
10	KIT RINSE PIPE 5 JETS	30000313		
10.1	Flat spray jet; 1/16 NPT; SW10;GR.3-90	29 10 314	5	
10.2	Coupling nut; G 1/2" X D12,2; SW24	29 07 301		
10.3	Cutting ring; D12 X 10	29 07 304		
11	Holder; 1,25 X 113,83 X 200	71003185		left - right
12	KIT RINSE PIPE 3 JETS	30000312		
12.1	Flat spray jet; 1/16 NPT; SW10;GR.3-90	29 10 314	3	
12.2	Coupling nut; G 1/2" X D12,2; SW24	29 07 301		
12.3	Cutting ring; D12 X 10	29 07 304		
13	Hexagonal nut self securing; M5	21 05 302	2	
14	Holder; 1,25 X 93,6 X 120	71003182		left - right
15	Holder; 1,25 X 113,83 X 200	71003186		right - left
16	Holder; 1,25 X 93,6 X 120	71003183		right - left
17	Ratchet nut; M5	21 01 310	2	
18	Hose T-connecting piece; D15 X D15 X D15	70010598		

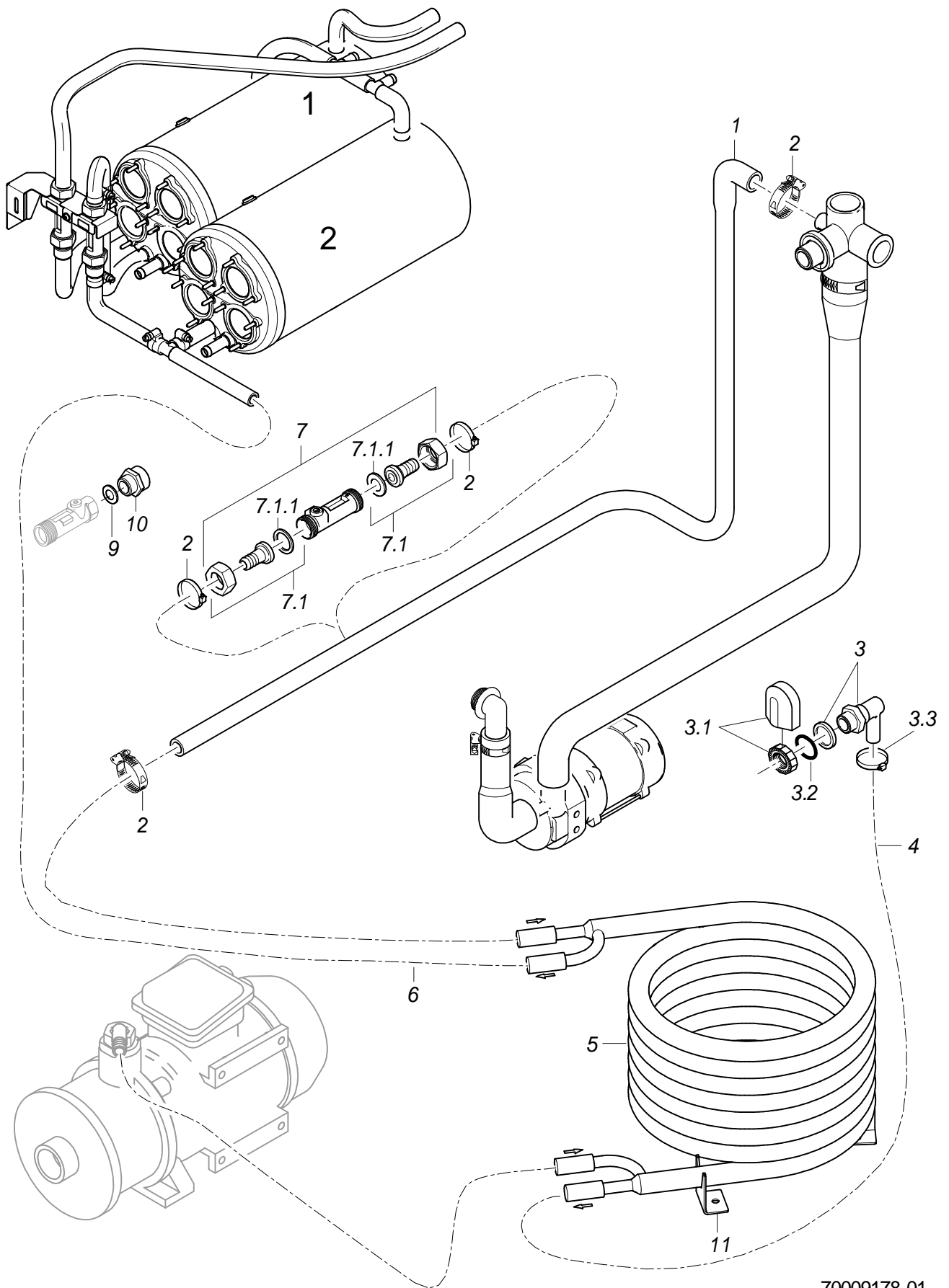


71003424-00

MTF Rinse zone

Rinsing (double)

Item.	Designation	Parts no.	Pc.	Notes
1	Holder; 1,25 X 93,6 X 120	71003182		
2	Rinse pipe cranked 4 jets	30002035		
2.1	Flat spray jet; 1/16 NPT; SW10;GR.3-90	29 10 314	4	
2.2	Coupling nut; G 1/2" X D12,2; SW24	29 07 301		
2.3	Cutting ring; D12 X 10	29 07 304		
3	Dummy plug; G 1/2" X 21,4;SW10;SW5	70004912		
3.1	O-ring; 20 X 2,5	27 07 004		
4	Kit rinse manifold top L-R	30002038		
4.1	Hexagonal nut; G 1/2" X 6; SW27	61004994	2	
4.2	O-ring; 20 X 3,5	27 07 040	2	
5	Dummy plug; G 3/4" X 21,7;SW10;SW5	70005109		
5.1	O-ring; 26 X 2,5	27 07 062		
6	Kit rinse manifold bottom L-R	30002037		
6.1	Hexagonal nut; G 1/2" X 6; SW27	61004994		
6.2	O-ring; 20 X 3,5	27 07 040		
7	Hose clamp; D12-22 X 9	30000711		
8	Industrial hose; DN13 X 3,5	40 02 035		50 mm; "By-the-metre" goods
9	Hose T-connecting piece; D15 X D15 X D15	70010598		
10	Holder; 1,25 X 113,83 X 200	71003185		
11	Kit rinse pipe 6 jets	30002036		
11.1	Coupling nut; G 1/2" X D12,2; SW24	29 07 301		
11.2	Cutting ring; D12 X 10	29 07 304		
11.3	Flat spray jet; 1/16 NPT; SW10;GR.3-90	29 10 314	6	
12	Locking cap; G 1/2"	29 07 228		
13	Sealing washer; D18,5 X 4,0	70010782		
14	Kit rinse manifold top R-L	30002040		
14.1	Hexagonal nut; G 1/2" X 6; SW27	61004994	2	
14.2	O-ring; 20 X 3,5	27 07 040	2	
15	Bracket; 1,5 X 69,2 X 78	70011369		
16	O-ring	30002393		
16.1	Hexagonal nut; G 1/2" X 6; SW27	61004994		
16.2	O-ring; 20 X 3,5	27 07 040		
17	Holder; 1,25 X 113,83 X 200	71003186		

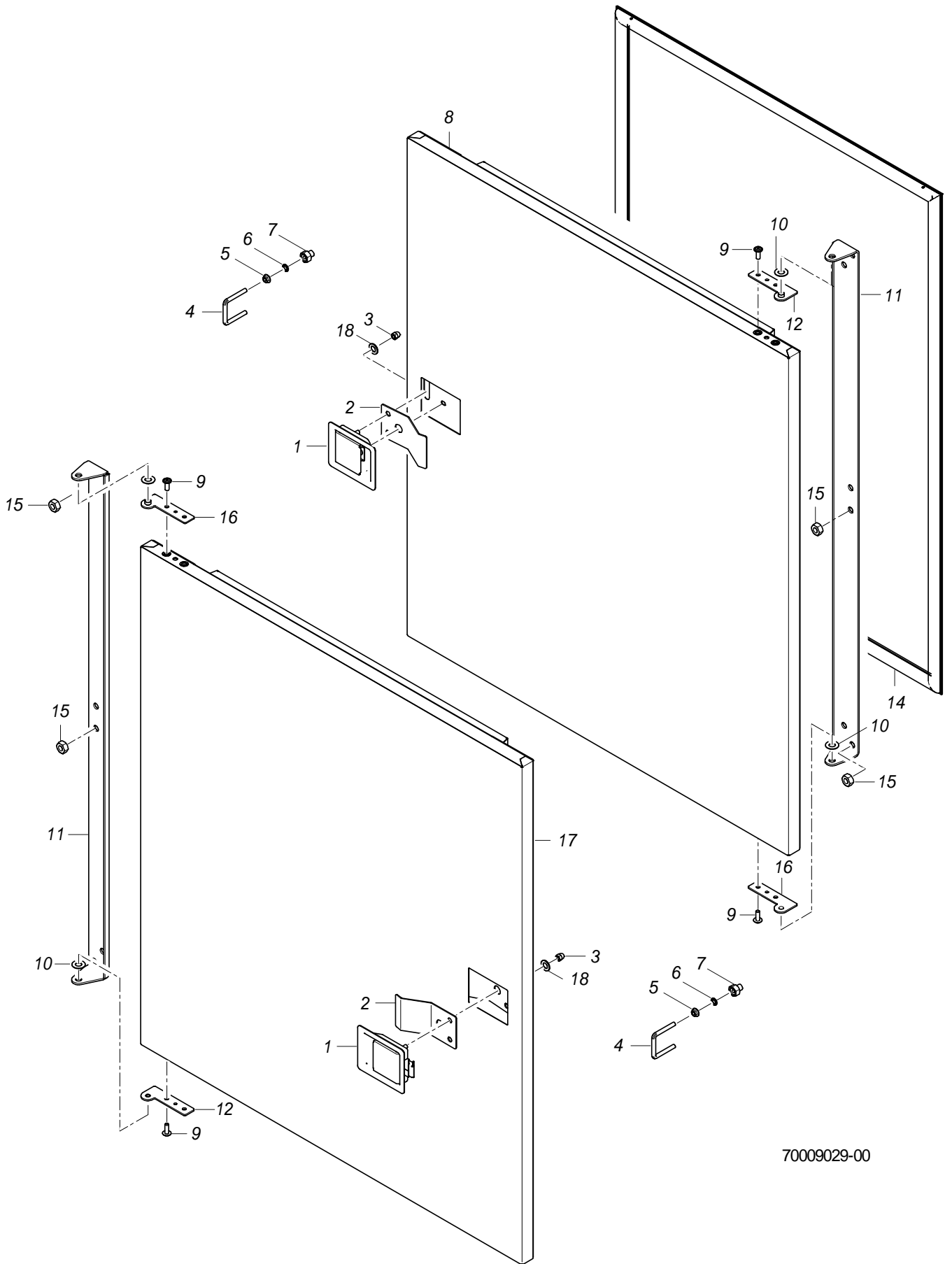


70009178-01

MTF Rinse zone

Coaxial heat exchanger

Item.	Designation	Parts no.	Pc.	Notes
1	Moulded hose; DN13 X DN16,5	70008436		
2	Hose clamp; D12-22 X 9	30000711		
3	Water inlet, 3-part set	55 31 007		
3.1	Tank inlet set; G 1/2" X 8; SW27	61005339		
3.2	O-ring; 20 X 3	27 07 031		
3.3	Hose clamp; D12-22 X 9	30000711		
4	Industrial hose; DN13 X 3,5	40 02 035		1000 mm; "By-the-metre" goods
5	Coaxial heat exchanger - Copper; H185 X L362 X B262	70007088		Copper
5	Coaxial heat exchanger - Stainless steel; H185 X L362 X B262	70007089		Stainless steel
6	Industrial hose; DN13 X 3,5	40 02 035		1000 mm; "By-the-metre" goods
7	Flow control valve kit; 1 - 3,5 L/MIN	30000272		For rinse water bypass
7.1	Hose coupling; R 3/4" X 1/2"	60002453	2	
7.1.1	Gasket; D16 X D24 X 3,0	83001022		
9	Gasket; D20,9 X D27 X 2,0	27 04 006		
10	Reducing nipple; G 1/2" X G 3/4"; SW27	61003430		
11	Angle; 2,0 X 40 X 74,79	70008384	3	

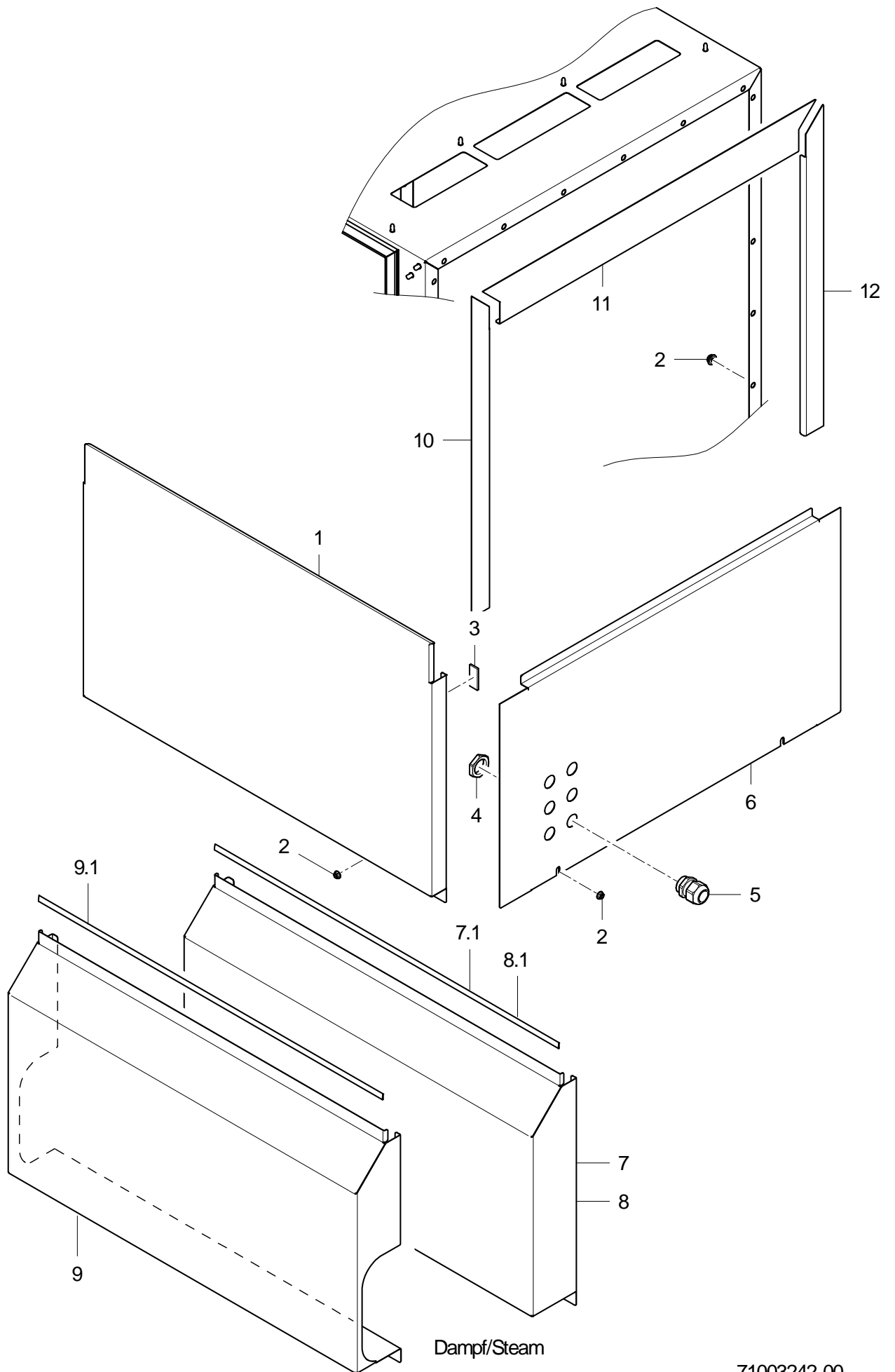


70009029-00

MTF Rinse zone

Door

Item.	Designation	Parts no.	Pc.	Notes
1	Snap closure	70008012		
2	Bracket; 1,5 X 50 X 96,33	70008430		
3	Cap nut; M5	21 10 303	2	
4	Bracket; D5 X 106,5	70006802		
5	Ratchet nut; M5	21 01 310	2	
6	O-ring; 6 X 2	27 07 012	4	
7	Nut; M5; D12,6 X D8 X 15	70008010	2	
8	Kit replacement door MT	70010729		
9	Raised head screw with internal hexagon; M5 X 14 MIT FLANSCH	20 10 314	4	
10	Washer; D8,5 X D17 X 1,0	22 08 515	2	
11	Hinge; 2,5 X 42,9 X 872,57	70006294		
12	KIT DOOR HINGE	70010730		
14	Door seal; 12,5 X 590,5 X 786,5	70008689		
15	Hexagonal nut; M6	21 05 304	4	
16	KIT DOOR HINGE	70010730		
17	Kit replacement door MT	70010729		
18	Washer; D5,3 X D10 X 1,0	22 01 300	2	

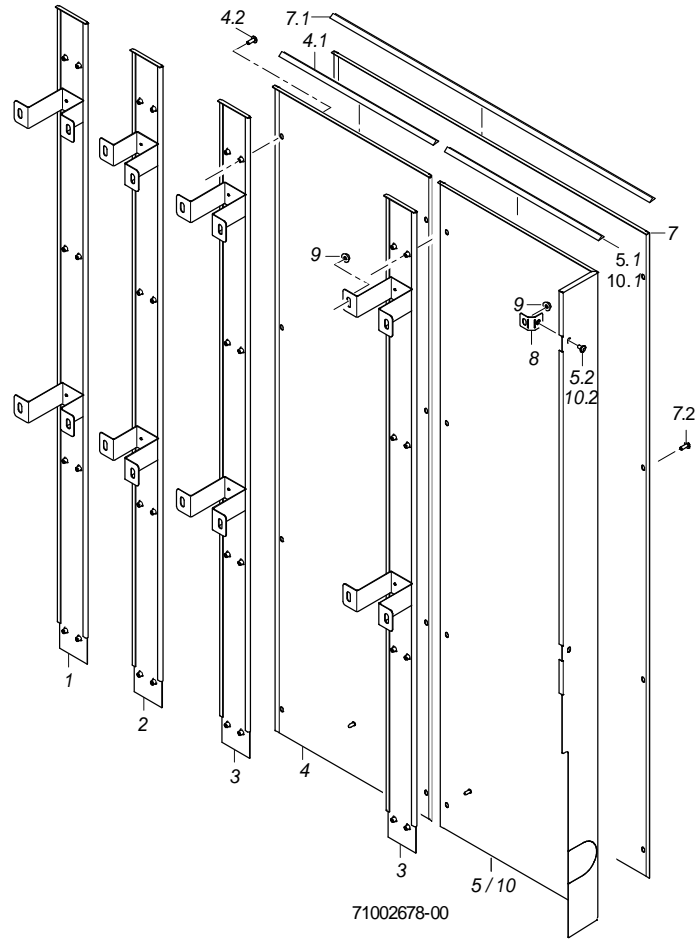
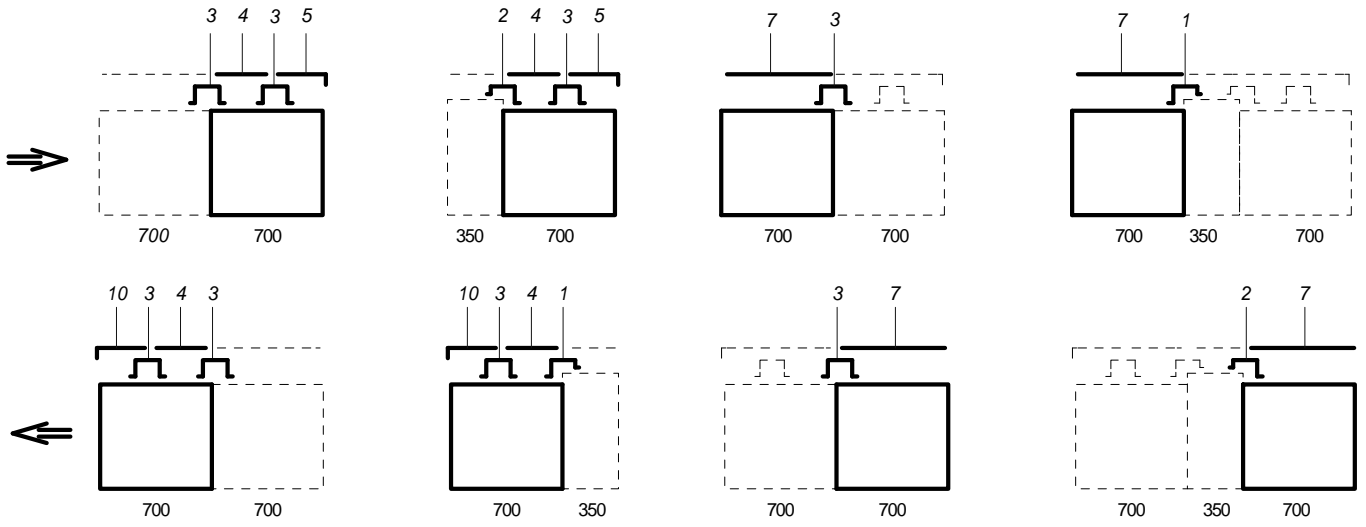


71003242-00

MTF Rinse zone

Panelling

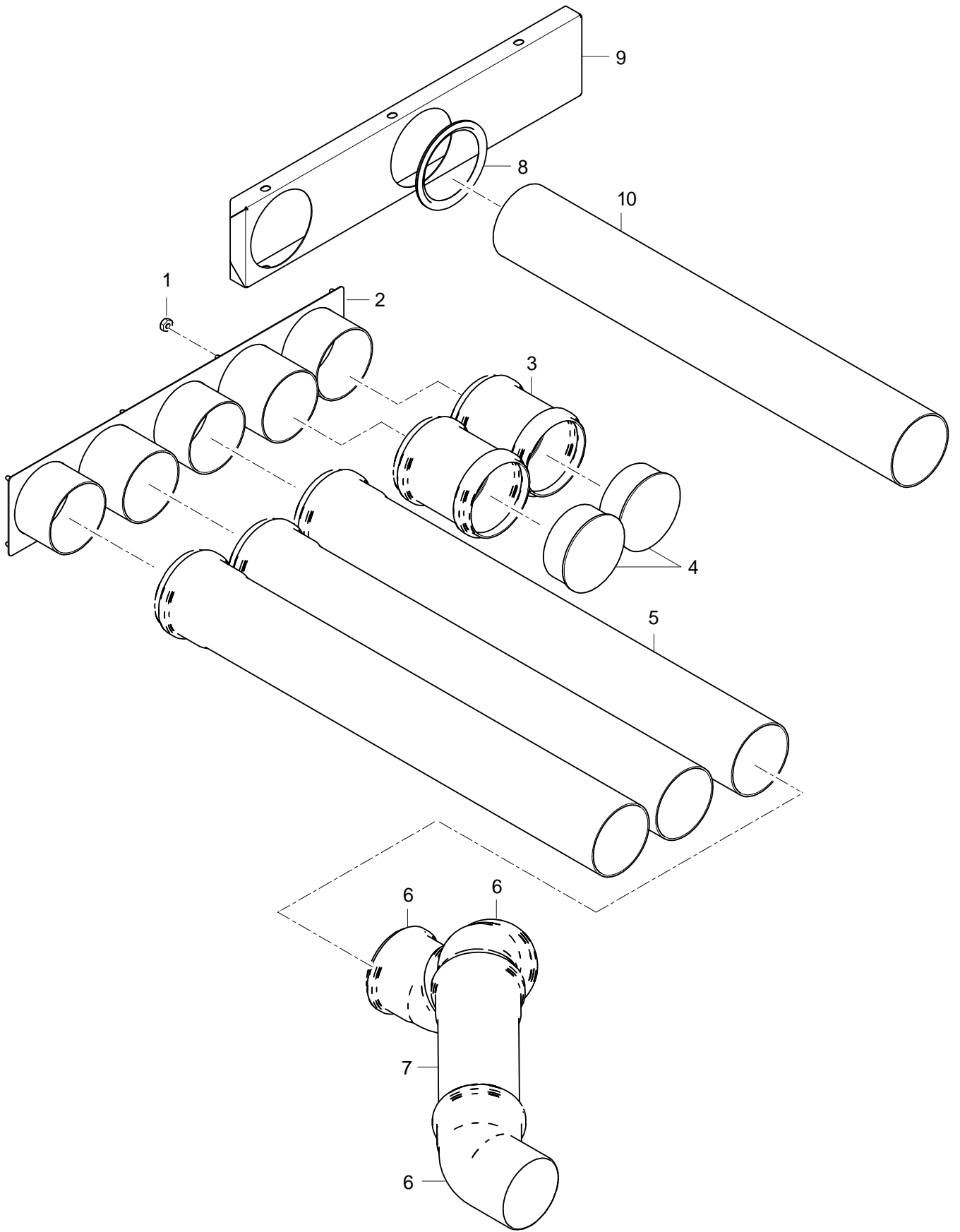
Item.	Designation	Parts no.	Pc.	Notes
1	Covering (base frame)	70008251		
2	Ratchet nut; M5	21 01 310	2	
3	Sealing tape; 9 X 2 X 10000	30001091		1 roll = 10 m
4	Hexagonal nut; M20 X 1,5 X 5,0; SW27	31 10 162		
5	Cable gland; M20 X 1,5; 6-13MM;IP68	31 10 152		
6	Covering, L-R	70008935		left - right
6	Covering, R-L	70008936		right - left
7	Covering	70009496		steam heated left - right
7.1	Rubber profile; 9 BREIT;1,5 X 25000	48 03 028		1 roll = 25 m
8	Covering	70009495		steam heated right - left
8.1	Rubber profile; 9 BREIT;1,5 X 25000	48 03 028		1 roll = 25 m
9	Covering	70009494		Machine with dry zone
9.1	Rubber profile; 9 BREIT;1,5 X 25000	48 03 028		1 roll = 25 m
10	Screen	71002026		
11	Screen	71002028		
12	Screen	71002027		



MTF Rinse zone

Back panel

Item.	Designation	Parts no.	Pc.	Notes
1	Back wall rail	70008139		
2	Back wall rail	70008140		Option
3	Back wall rail	70008132		
4	Back panel 350	70009172		Option
4.1	Rubber profile; 9 BREIT;1,5 X 25000	48 03 028		1 roll = 25 m
4.2	Raised head screw with flange; M5 X 12 MIT FLANSCH	20 10 006	8	
5	Corner cladding	70009170		left - right; Machine without dry zone
5.1	Rubber profile; 9 BREIT;1,5 X 25000	48 03 028		1 roll = 25 m
5.2	Raised head screw with flange; M5 X 12 MIT FLANSCH	20 10 006	7	
7	Back panel 700	70009173		Machine with dry zone
7.1	Rubber profile; 9 BREIT;1,5 X 25000	48 03 028		1 roll = 25 m
7.2	Raised head screw with flange; M5 X 12 MIT FLANSCH	20 10 006	8	
8	Lug	70006597		
9	Ratchet nut; M5	21 01 310		
10	Corner cladding	70009171		right - left; Machine without dry zone
10.1	Rubber profile; 9 BREIT;1,5 X 25000	48 03 028		1 roll = 25 m
10.2	Raised head screw with flange; M5 X 12 MIT FLANSCH	20 10 006	7	

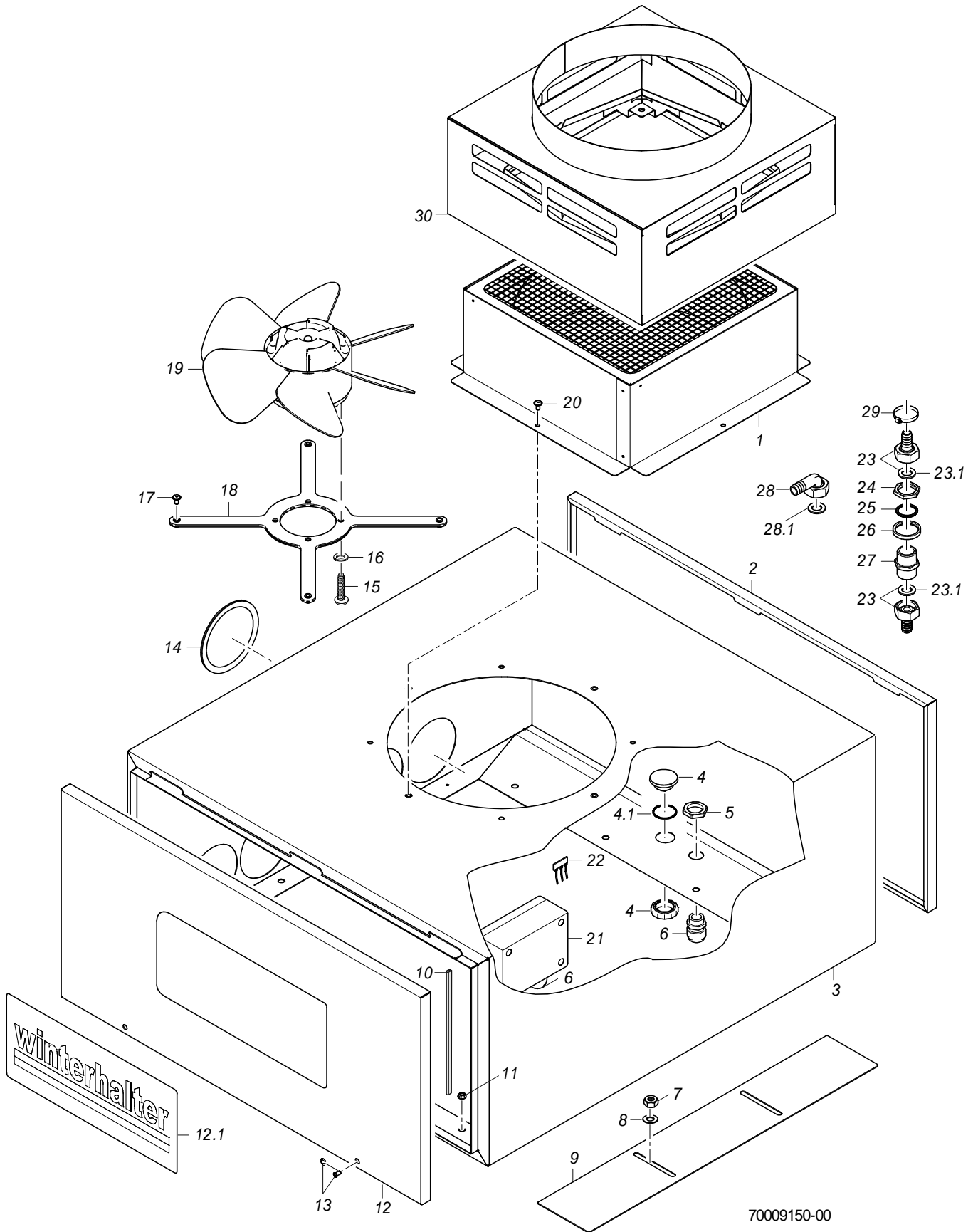


70009152-00

MTF Rinse zone

Exhaust air pipes

Item.	Designation	Parts no.	Pc.	Notes
1	Hexagonal nut self securing; M5	21 05 302	8	
2	Cover	70007838		up to 09/2006
3	HT double bushing; DN90	30 15 557		up to 09/2006
4	HT end cap; DN90	30 15 556		up to 09/2006
5	HT pipe; DN90 X 1000	30 15 551		up to 09/2006; adapt
5	HT pipe; DN90 X 1500	30 15 552		up to 09/2006; adapt
5	HT pipe; DN90 X 2000	30 15 555		up to 09/2006; adapt
6	HT bend; DN90; 45GRAD	30 15 553		Only for machines with a heat pump
7	HT pipe; DN90 X 500	30 15 550		up to 09/2006; adapt
8	Insulating sleeve; D108	70007927		from 09/2006
9	Frame; 1,25 X 154,7 X 573,7	70009132		from 09/2006
10	Pipe; D90 X 2,2 X 5000	02 20 041		from 09/2006

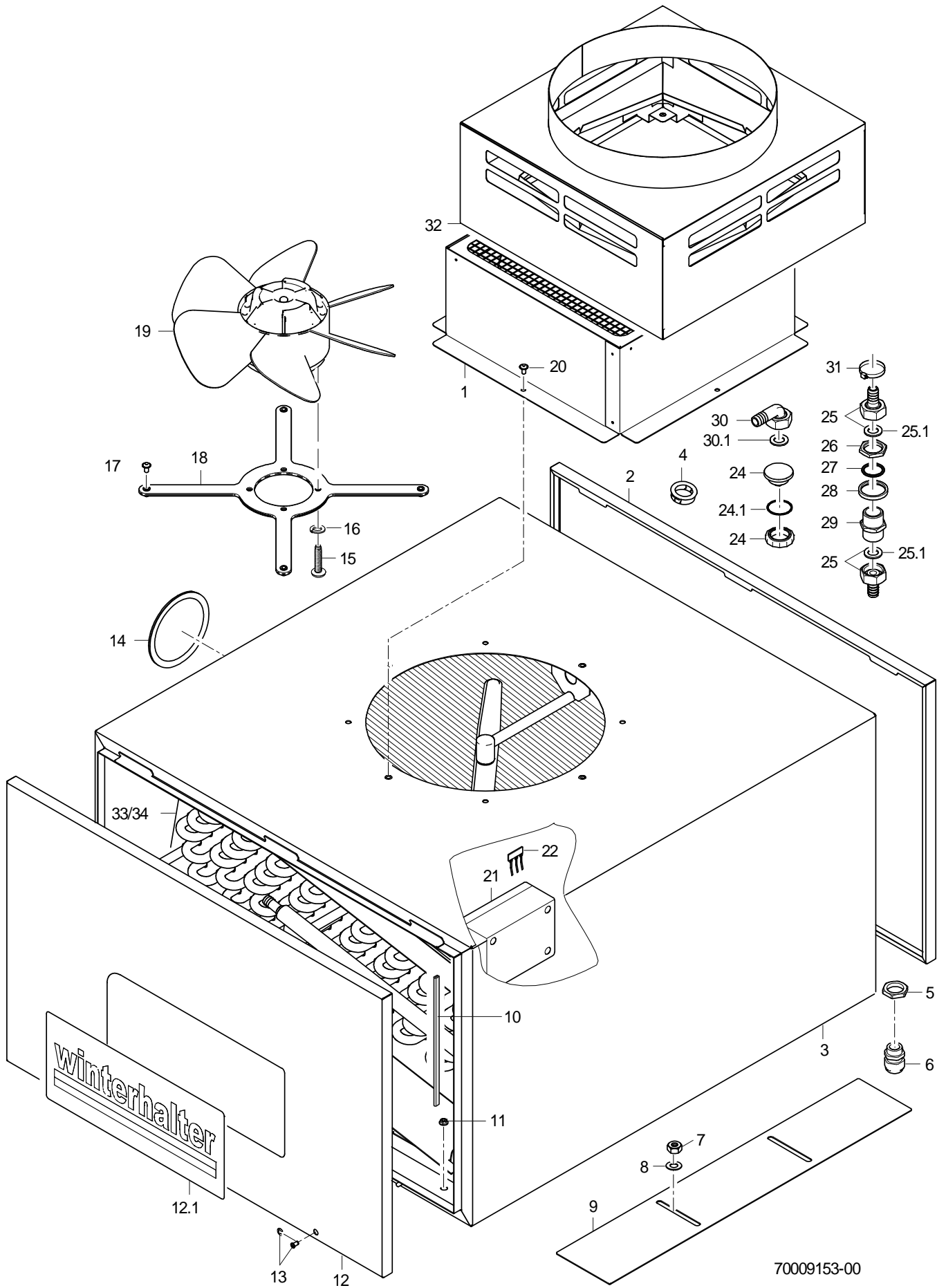


70009150-00

MTF Rinse zone

Exhaust air without heat exchanger

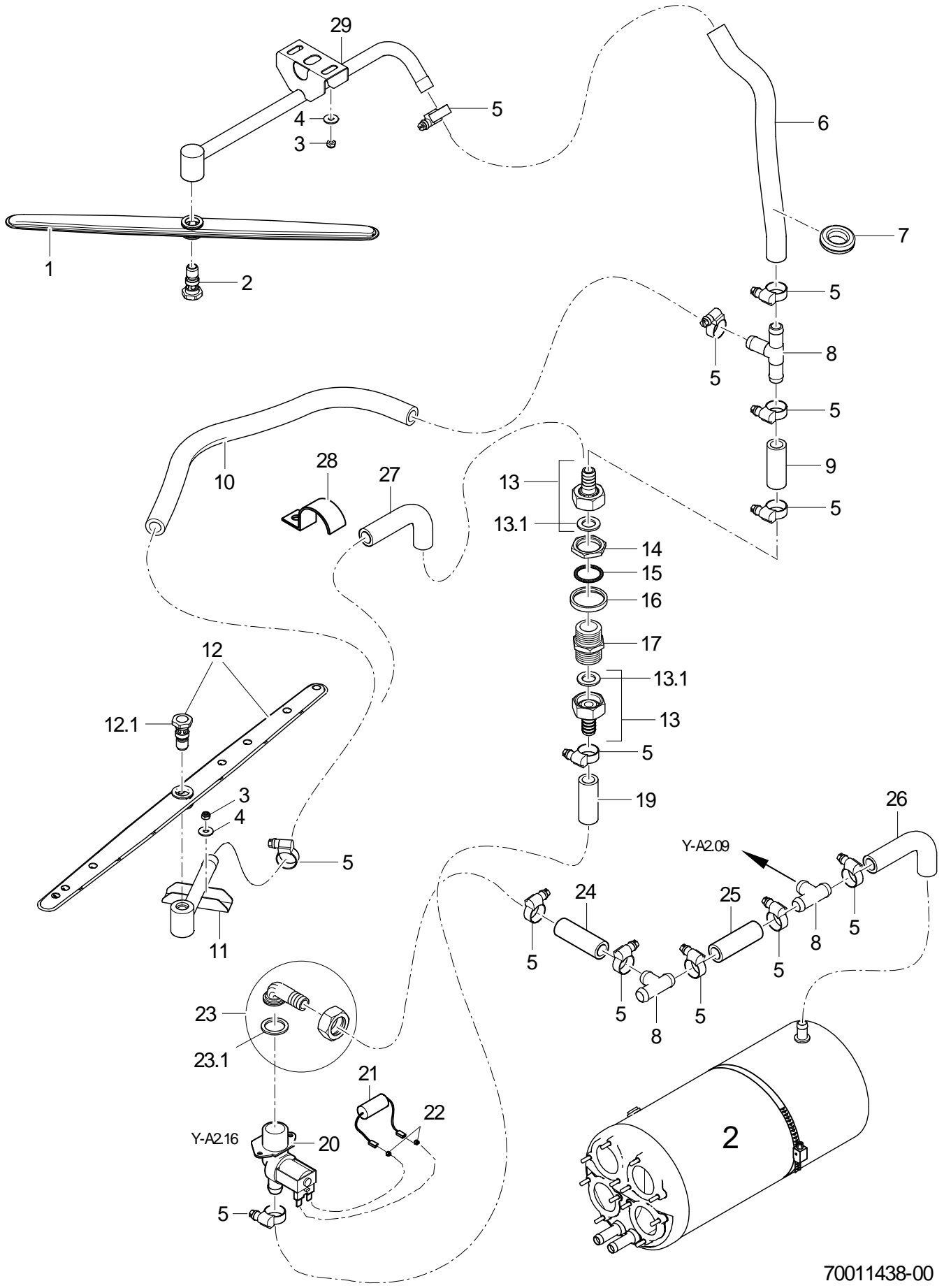
Item.	Designation	Parts no.	Pc.	Notes
1	Connecting sleeve	70006384		
2	Cover	70008509		
3	Housing, L-R	70006968		left - right
3	Housing, R-L	70007922		right - left
4	Dummy plug; G 3/4" X 21,7;SW10;SW5	70005109		
4.1	O-ring; 26 X 2,5	27 07 062		
5	Hexagonal nut; M20 X 1,5 X 5,0; SW27	31 10 162		
6	Cable gland; M20 X 1,5; 6-13MM;IP68	31 10 152		
7	Hexagonal nut self securing; M5	21 05 302	2	
8	Washer; D5,3 X D15 X 1,2	22 05 301	2	
9	Slide; 1,5 X 100 X 561,5	70008266		up to machine no.: 544 592
10	Sealing profile; 1,0 - 2,0MM	40 04 006		2000 mm; "By-the-metre" goods
11	Ratchet nut; M5	21 01 310	8	
12	Cover (standard fan)	70008052		
12.1	Plate "Winterhalter"; 0,2 X 140 X 330	70011631		
13	Truss-head screw with retaining ring; M5 X 15	70005097	4	
14	Insulating sleeve; D108	70007927	4	
15	Hexagon screw; M6 X 16; A70	20 01 306	4	
16	Spring washer; B6	23 03 300	4	
17	Raised head screw with flange; M5 X 12 MIT FLANSCH	20 10 006	4	
18	Cross plate	70004900		
19	Axial fan; 50(60)HZ,1350U/MIN,IP5	31 17 012		
20	Lens head screw; M5 X 10	20 10 306	4	
21	15-pos. terminal block box; 130 X 94 X 57; IP 66	31 18 097		
22	Insertion bridge; 3-POL.;VOLLISO.;EB 3-6	31 09 214		
23	Hose coupling; R 3/4" X 1/2"	60002453		
23.1	Gasket; D16 X D24 X 3,0	83001022		
24	Hex nut; G 3/4" X 5,0; SW32	61002626		
25	O-ring; 24 X 3,0	27 07 087		
26	Backup ring; D38 X 5	62002875		
27	DOUBLE NIPPLE; G 3/4" X 40; SW30	80002167		
28	Hose nipple, angled; D18	60002474		
28.1	Gasket; D16 X D24 X 3,0	83001022		
29	Hose clamp; D12-22 X 9	30000711		
30	Exhaust air connecting piece	70008947		



MTF Rinse zone

Exhaust air with heat exchanger

Item.	Designation	Parts no.	Pc.	Notes
1	Connecting sleeve	70006384		
2	Cover (WRG)	70008508		
3	Housing, L-R (WRG)	70006194		left - right
3	Housing, R-L (WRG)	70007877		right - left
4	Snap-in passage; D23,8	31 10 144		
5	Hexagonal nut; M20 X 1,5 X 5,0; SW27	31 10 162		
6	Cable gland; M20 X 1,5; 6-13MM;IP68	31 10 152		
7	Hexagonal nut self securing; M5	21 05 302	2	
8	Washer; D5,3 X D15 X 1,2	22 05 301	2	
9	Slide; 1,5 X 100 X 561,5	70008266		up to machine no.: 544 592
10	Sealing profile; 1,0 - 2,0MM	40 04 006		2200mm; "By-the-metre" goods
11	Ratchet nut; M5	21 01 310	8	
12	Cover (WRG)	70008050		
12.1	Plate "Winterhalter"; 0,2 X 140 X 330	70011631		
13	Truss-head screw with retaining ring; M5 X 15	70005097	4	
14	Insulating sleeve; D108	70007927	5	
15	Hexagon screw; M6 X 16; A70	20 01 306	4	
16	Spring washer; B6	23 03 300	4	
17	Raised head screw with flange; M5 X 12 MIT FLANSCH	20 10 006	4	
18	Cross plate	70004900		
19	Axial fan; 50(60)HZ,1350U/MIN,IP5	31 17 012		
20	Lens head screw; M5 X 10	20 10 306	4	
21	15-pos. terminal block box; 130 X 94 X 57; IP 66	31 18 097		
22	Insertion bridge; 3-POL.;VOLLISO.;EB 3-6	31 09 214		
24	Dummy plug; G 1/2" X 21,4;SW10;SW5	70004912		
24.1	O-ring; 20 X 2,5	27 07 004		
25	Hose coupling; R 3/4" X 1/2"	60002453		
25.1	Gasket; D16 X D24 X 3,0	83001022		
26	Hex nut; G 3/4" X 5,0; SW32	61002626		
27	O-ring; 24 X 3,0	27 07 087		
28	Backup ring; D38 X 5	62002875		
29	DOUBLE NIPPLE; G 3/4" X 40; SW30	80002167		
30	Hose nipple, angled; D18	60002474		
30.1	Gasket; D16 X D24 X 3,0	83001022		
31	Hose clamp; D12-22 X 9	30000711		
32	Exhaust air connecting piece	70008947		
33	Heat exchanger - copper; H175 X L650 X T600	70010389		Copper
34	Heat exchanger - stainless steel; H175 X L650 X T600	70004336		Stainless steel

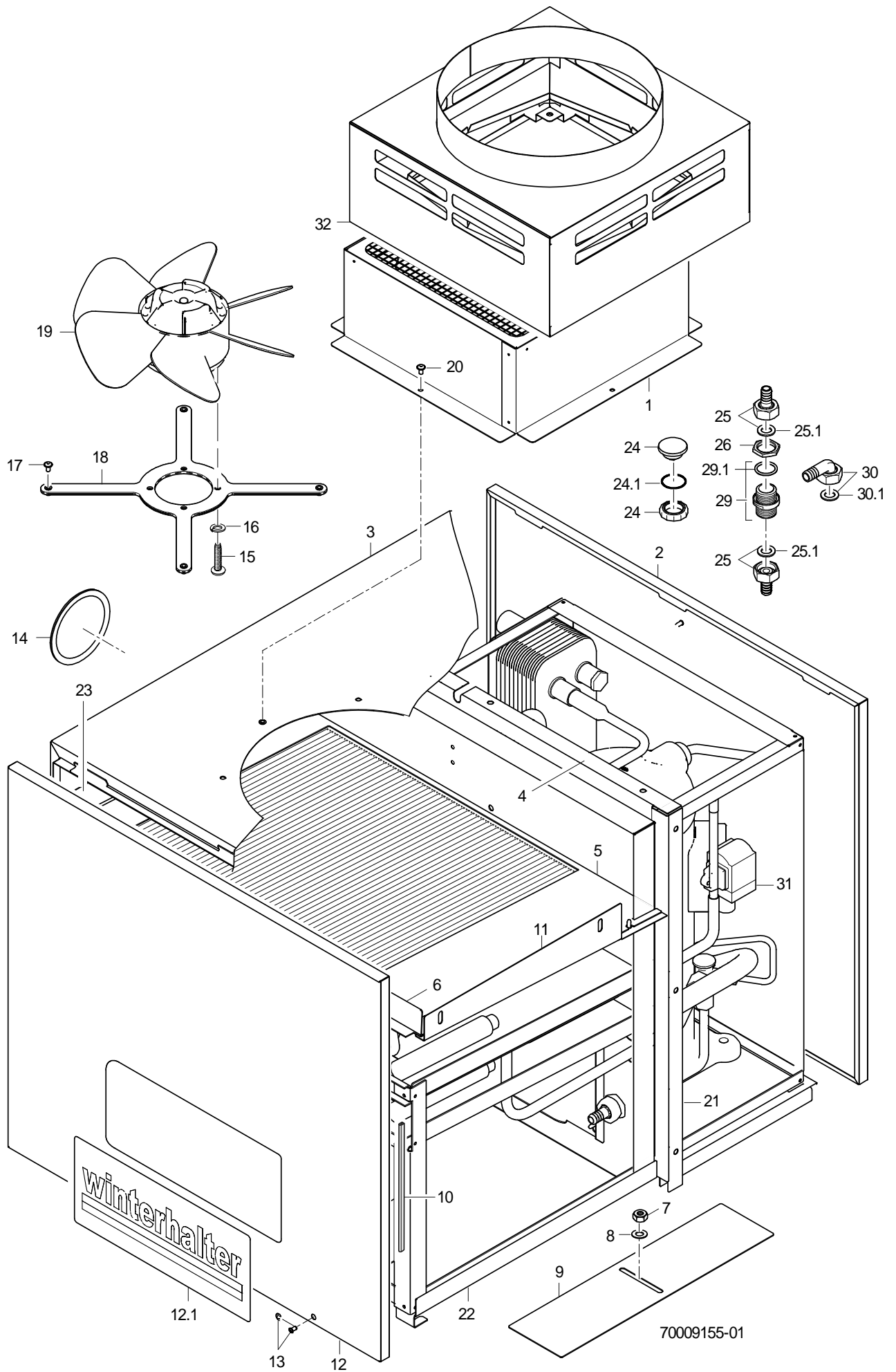


70011438-00

MTF Rinse zone

Cleaning of heat exchanger

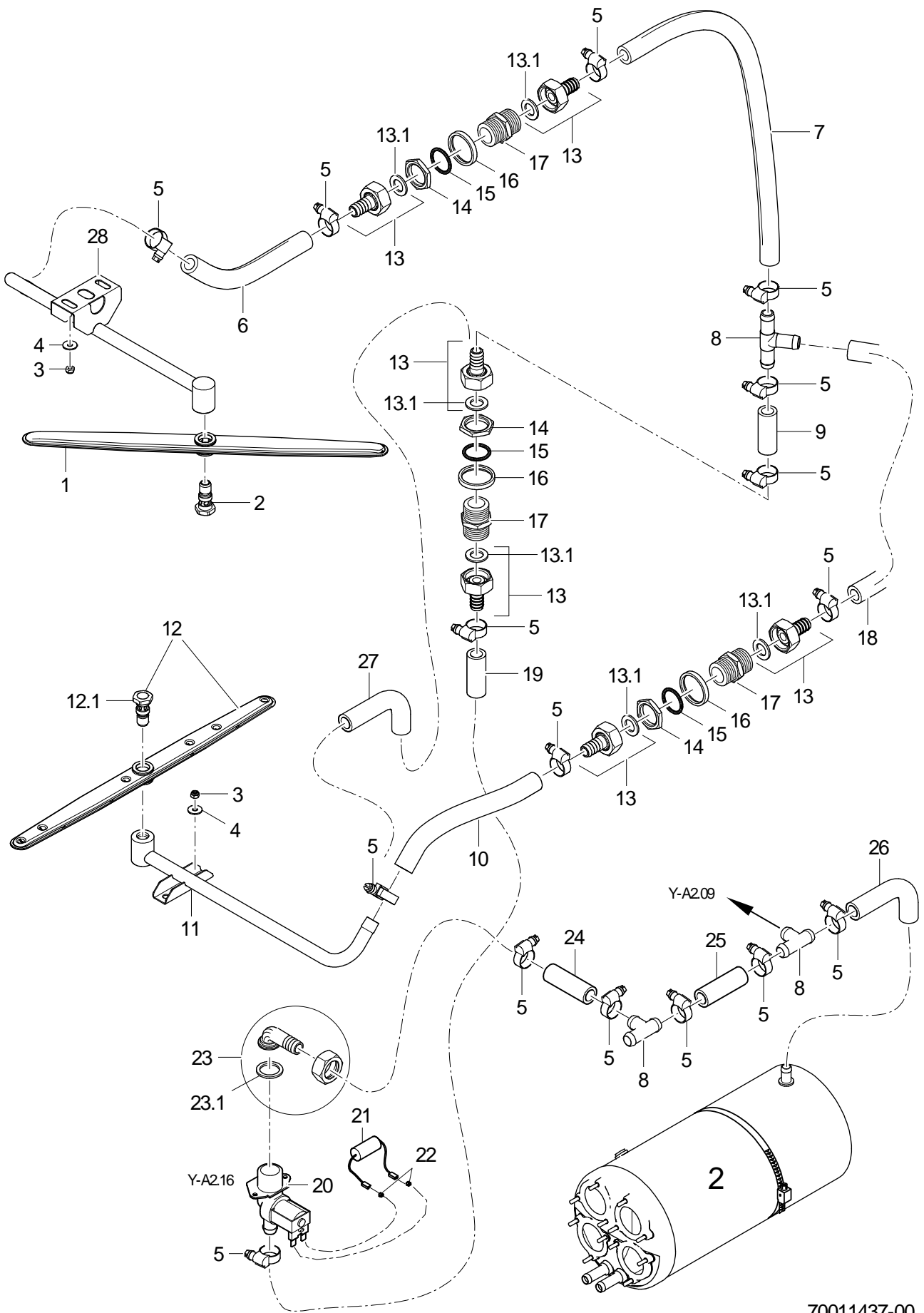
Item.	Designation	Parts no.	Pc.	Notes
1	Revolving rinse arm; 2 + 1 DÜSE; 386,60 LG	70011111		from machine no.: 1058118
2	Rotary arm screw; M12 X 36; SW19	60004123		from machine no.: 1058118
3	Hexagonal nut self securing; M5	21 05 302		
4	Washer; D5,3 X D15 X 1,2	22 05 301		
5	Hose clamp; D12-22 X 9	30000711		
6	Industrial hose; DN13 X 3,5	40 02 035		300 mm; "By-the-metre" goods
7	Snap-in passage; D23,8	31 10 144		from machine no.: 1058118
8	Hose T-connecting piece; D15 X D15 X D15	70010598		
9	Industrial hose; DN13 X 3,5	40 02 035		50 mm; "By-the-metre" goods
10	Industrial hose; DN13 X 3,5	40 02 035		400 mm; "By-the-metre" goods
11	Wash arm holder	70008198		
12	KIT REVOLVING RINSE ARM WITH 7 JETS; 7 DÜSEN	60003515		
12.1	Rotary arm screw; M12 X 36; SW19	60004123		
13	Hose coupling; R 3/4" X 1/2"	60002453		
13.1	Gasket; D16 X D24 X 3,0	83001022		
14	Hex nut; G 3/4" X 5,0; SW32	61002626		
15	O-ring; 24 X 3,0	27 07 087		
16	Backup ring; D38 X 5	62002875		
17	DOUBLE NIPPLE; G 3/4" X 40; SW30	80002167		
19	Industrial hose; DN13 X 3,5	40 02 035		3000mm; "By-the-metre" goods
20	15 l solenoid valve set; 200-240V/50-60HZ/+-10%	60004148		
21	RC element; 0,15 MICRO F; 3,3 KOHM	31 13 114	2	
22	Fast-on piggy-back plug	31 12 004	2	
23	Hose nipple, angled; D18	60002474		
23.1	Gasket; D16 X D24 X 3,0	83001022		
24	Industrial hose; DN13 X 3,5	40 02 035		1800 mm; "By-the-metre" goods
25	Industrial hose; DN13 X 3,5	40 02 035		1000 mm; "By-the-metre" goods
26	Hose bender; DN12,5 X 4,0	70004474		
27	Hose bender; DN12,5 X 4,0	70004474		
28	Bracket; 1,5 X 15 X 57	55 25 017		up to machine no.: 1058117
29	Revolving arm holder	70011113		from machine no.: 1058118



MTF Rinse zone

Exhaust air with heat pump Climate

Item.	Designation	Parts no.	Pc.	Notes
1	Connecting sleeve	70006384		
2	Cover; 1,0 X 668,49 X 742,99	70006732		
3	Housing, L-R (WP)	70006206		left - right
3	Housing, R-L	70007872		right - left
4	Angle; 1,25 X 54,8 X 693	70006215		
5	Metal sheet; 1,5 X 469 X 678	70006214		
6	Angle	70006377		
7	Hexagonal nut self securing; M5	21 05 302		
8	Washer; D5,3 X D15 X 1,2	22 05 301		
9	Slide; 1,5 X 100 X 400	70007166		up to machine no.: 544 592
10	Sealing profile; 1,0 - 2,0MM	40 04 006		2500 mm; "By-the-metre" goods
11	Angle	70006211		
12	Cover (WP)	70008048		
12.1	Plate "Winterhalter"; 0,2 X 140 X 330	70011631		
13	Truss-head screw with retaining ring; M5 X 15	70005097	4	
14	Insulating sleeve; D108	70007927	5	
15	Hexagon screw; M6 X 16; A70	20 01 306	4	
16	Spring washer; B6	23 03 300	4	
17	Raised head screw with flange; M5 X 12 MIT FLANSCH	20 10 006	4	
18	Cross plate	70004900		
19	Axial fan; 50(60)HZ,1350U/MIN,IP5	31 17 012		
20	Lens head screw; M5 X 10	20 10 306	4	
21	Angle; 1,5 X 54,85 X 612	70008927		
22	Rail; 1,5 X 109,7 X 798,36	70008931		
23	Angle	70006213		
24	Dummy plug; G 1/2" X 21,4;SW10;SW5	70004912		
24.1	O-ring; 20 X 2,5	27 07 004		
25	Hose coupling; R 3/4" X 1/2"	60002453		
25.1	Gasket; D16 X D24 X 3,0	83001022		
26	Hex nut; G 3/4" X 5,0; SW32	61002626		
29	Double nipple kit; G 3/4" X 40; SW 30	30001695		
29.1	O-ring; 24 X 3,0	27 07 087		
30	Hose nipple, angled; D18	60002474		
30.1	Gasket; D16 X D24 X 3,0	83001022		
31	Solenoid valve coil; 220-230V; 50/60HZ	31 06 218		
31	Solenoid valve coil; 240V; 50HZ	31 06 219		
32	Exhaust air connecting piece	70008947		

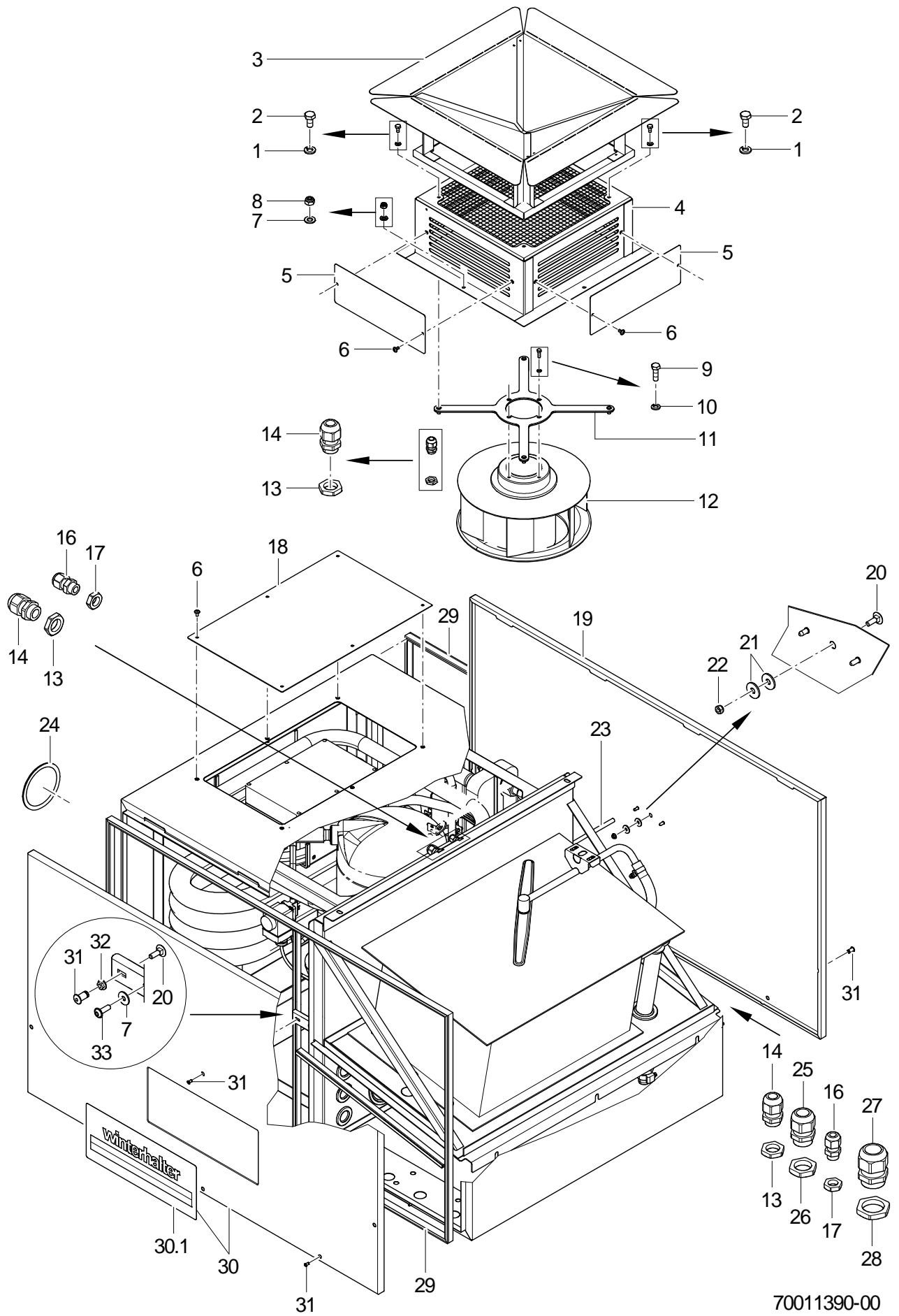


70011437-00

MTF Rinse zone

Cleaning of heat pump Climate

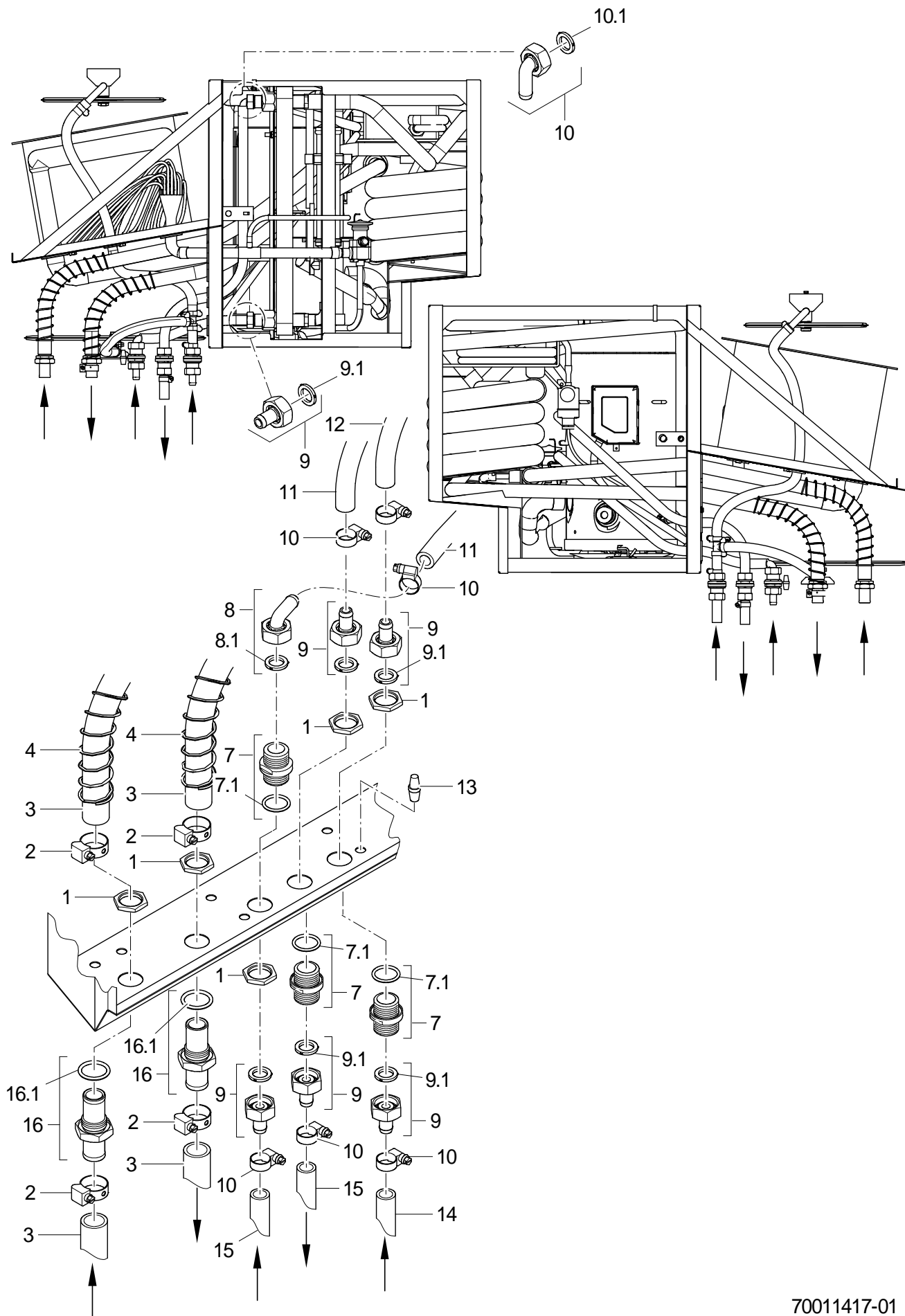
Item.	Designation	Parts no.	Pc.	Notes
1	Revolving rinse arm; 2 + 1 DÜSE; 386,60 LG	70011111		from machine no.: 1058118
2	Rotary arm screw; M12 X 36; SW19	60004123		from machine no.: 1058118
3	Hexagonal nut self securing; M5	21 05 302		
4	Washer; D5,3 X D15 X 1,2	22 05 301		
5	Hose clamp; D12-22 X 9	30000711		
6	Industrial hose; DN13 X 3,5	40 02 035		300 mm; "By-the-metre" goods
7	Industrial hose; DN13 X 3,5	40 02 035		500 mm; "By-the-metre" goods
8	Hose T-connecting piece; D15 X D15 X D15	70010598		
9	Industrial hose; DN13 X 3,5	40 02 035		50 mm; "By-the-metre" goods
10	Industrial hose; DN13 X 3,5	40 02 035		200 mm; "By-the-metre" goods
11	Wash arm holder	70008204		
12	Rinsing wash arm set; 6 DÜSEN	62003347		
12.1	Rotary arm screw; M12 X 36; SW19	60004123		
13	Hose coupling; R 3/4" X 1/2"	60002453		
13.1	Gasket; D16 X D24 X 3,0	83001022		
14	Hex nut; G 3/4" X 5,0; SW32	61002626		
15	O-ring; 24 X 3,0	27 07 087		
16	Backup ring; D38 X 5	62002875		
17	DOUBLE NIPPLE; G 3/4" X 40; SW30	80002167		
18	Industrial hose; DN13 X 3,5	40 02 035		1200 mm; "By-the-metre" goods
19	Industrial hose; DN13 X 3,5	40 02 035		3000mm; "By-the-metre" goods
20	15 l solenoid valve set; 200-240V/50-60HZ/+-10%	60004148		
21	RC element; 0,15 MICRO F; 3,3 KOHM	31 13 114	2	
22	Fast-on piggy-back plug	31 12 004	2	
23	Hose nipple, angled; D18	60002474		
23.1	Gasket; D16 X D24 X 3,0	83001022		
24	Industrial hose; DN13 X 3,5	40 02 035		1800 mm; "By-the-metre" goods
25	Industrial hose; DN13 X 3,5	40 02 035		1000 mm; "By-the-metre" goods
26	Hose bender; DN12,5 X 4,0	70004474		
27	Hose bender; DN12,5 X 4,0	70004474		up to machine no.: 1058117
28	Revolving arm holder	70011113		from machine no.: 1058118



MTF Rinse zone

Exhaust air with heat pump Climate+

Item.	Designation	Parts no.	Pc.	Notes
1	Spring washer; B5	23 03 302	4	
2	Hexagon screw; M5 X 16; A70	20 01 309	4	
3	Air conducting hood	70010830		
4	Connection piece	70011059		
5	Cover; 1,0 X 100 X 270	70011055	4	
6	Lens head screw; M5 X 10	20 10 306		
7	Washer; D5,3 X D15 X 1,2	22 05 301	4	
8	Hexagonal nut self securing; M5	21 05 302	4	
9	Hexagon screw; M6 X 16; A70	20 01 306	4	
10	Spring washer; B6	23 03 300	4	
11	Cross plate	70004900		
12	Radial fan; 3~230/400V+-10%; 50HZ P1=0,09KW	30000598		
13	Hex nut; M16 X 1,5 X 5,0; SW22	31 10 161		
14	Cable gland; M16 X 1,5; 5,0-10MM; SW20; IP68	31 10 151		
16	Cable gland; M12 X 1,5; 3-7MM; IP68	31 10 150		
17	Hexagonal nut; M12 X 1,5 X 5,0; SW17	31 10 160		
18	Cover; 1,25 X 283 X 450	70010853		
19	Cover	70010701		
20	Coach bolt; M5 X 16	30001821		
21	Washer; D6,4 X D18 X 1,6	22 05 302	2	
22	Hexagonal nut; M6	21 05 304		
23	Tension rod; D8 X 762	70010970		
24	Insulating sleeve; D108	70007927		
25	Cable gland; M20 X 1,5; 6-13MM;IP68	31 10 152		
26	Hexagonal nut; M20 X 1,5 X 5,0; SW27	31 10 162		
27	Cable gland; M25 X 1,5;9-17MM;IP68	31 10 153		
28	Hexagonal nut; M25 X 1,5 X 6,0; SW32	31 10 163		
29	Sealing profile; 1,0 - 2,0MM	40 04 006		1000 mm; "By-the-metre" goods
30	Cover front	70010703		
30.1	Plate "Winterhalter"; 0,2 X 140 X 330	70011631		
31	Truss-head screw with retaining ring; M5 X 15	70005097		
32	Ratchet nut; M5	21 01 310		
33	Raised head screw with hexagon socket; M5 X 16 MIT FLANSCH	20 10 307		

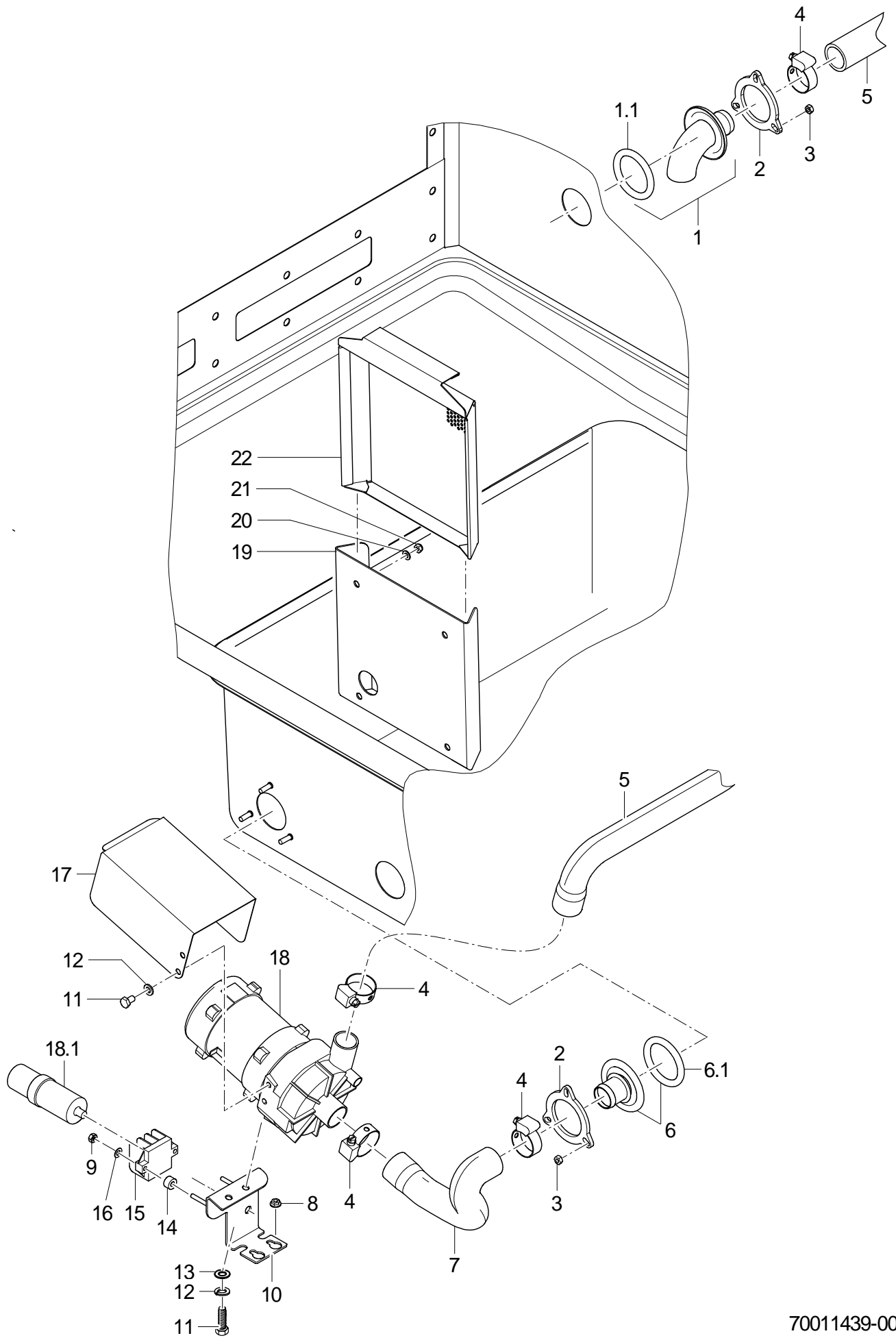


70011417-01

MTF Rinse zone

Hoses heat pump Climate+

Item.	Designation	Parts no.	Pc.	Notes
1	Hex nut; G 3/4" X 5,0; SW32	61002626		
2	Hose clamp; 25 - 40MM / 12MM	30002612		
3	Moulded hose; DN24,5 X 3,5; 2800	70010776		
4	Pressure spring; Dm32 x d2,5 x Lo245	30000366		
7	Double nipple kit; G 3/4" X 40; SW 30	30001695		
7.1	O-ring; 24 X 3,0	27 07 087		
8	Hose nipple, angled; D18	60002474		
8.1	Gasket; D16 X D24 X 3,0	83001022		
9	Hose coupling; R 3/4" X 1/2"	60002453		
9.1	Gasket; D16 X D24 X 3,0	83001022		
10	Hose clamp; D12-22 X 9	30000711		
11	Industrial hose; DN13 X 3,5	40 02 035		1400 mm; "By-the-metre" goods
12	Industrial hose; DN13 X 3,5	40 02 035		50 mm; "By-the-metre" goods
13	Plug; D9,9 X D11,5	30000391		
14	Industrial hose; DN13 X 3,5	40 02 035		3000mm; "By-the-metre" goods
15	Industrial hose; DN13 X 3,5	40 02 035		1000 mm; "By-the-metre" goods
16	Double nipple kit	30001407		
16.1	O-ring; 27 X 3,5	27 07 034		

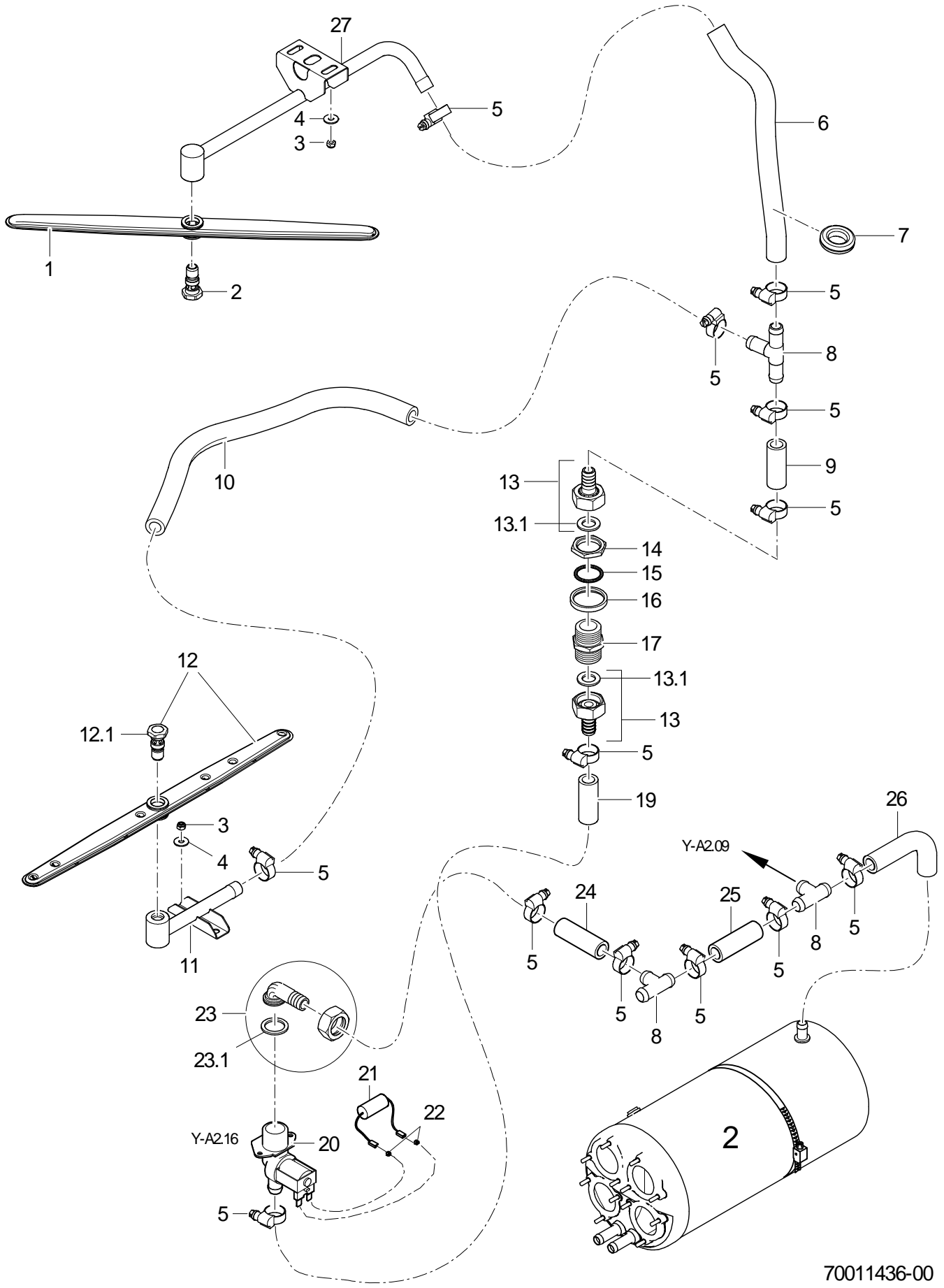


70011439-00

MTF Rinse zone

Circulating coaxial heat exchanger

Item.	Designation	Parts no.	Pc.	Notes
1	Backflow elbow	30001406		
1.1	O-ring; 43 X 7,0	27 07 088		
2	Locking washer; D43 X D80 X 4,0	01 17 003	2	
3	Hexagonal nut; M5	21 01 203	3	
4	Hose clamp; D24-44 X 12	28 02 309		
5	Moulded hose; DN24,5 X 3,5; 2800	70010776		
6	Intake socket kit	30001405		
6.1	O-ring; 43 X 7,0	27 07 088		
7	Moulded hose; DN24,5 X DN26,5 X 3,5	70010775		
8	Ratchet nut; M5	21 01 310	2	
9	Hexagonal nut self securing; M4	21 05 300	2	
10	Pump bracket	70011864		
11	Hexagon screw; M6 X 16; A70	20 01 306	2	
12	Spring washer; B6	23 03 300	2	
13	Washer; D6,4 X D12,5 X 1,6	22 01 302	2	
14	Spacer; D5,3 X D12 X 7	22 08 513	2	
15	Distribution bar; 3-POLIG	31 09 011		
16	Washer; D4,3 X D12 X 1,0	22 05 300	2	
17	Cover; 0,8 X 150,41 X 233,5	70010146		
18	Pump 0.270 kW 8/0; 220/240V/1/50HZ	31 02 477		
18.1	Capacitor; 5 MIKRO F	31 13 099		
19	Cassette guide; 1,5 X 218,33 X 262,51	70010924		
20	Washer; D5,3 X D10 X 1,0	22 01 300	4	
21	Hexagonal nut self securing; M5	21 05 302	4	
22	Filter cassette	70011000		

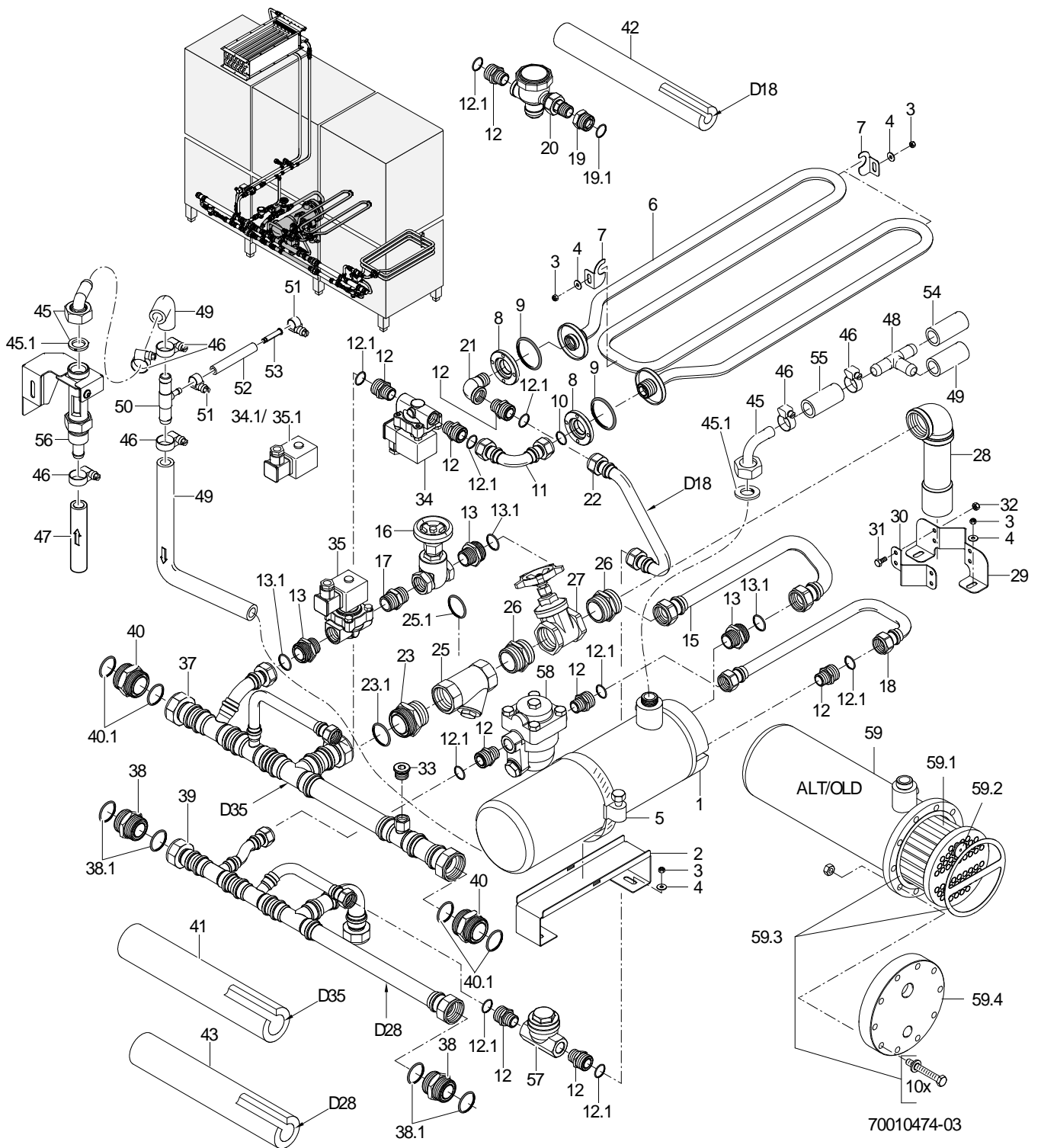


70011436-00

MTF Rinse zone

Cleaning of heat pump Climate+

Item.	Designation	Parts no.	Pc.	Notes
1	Revolving rinse arm; 2 + 1 DÜSE; 386,60 LG	70011111		
2	Rotary arm screw; M12 X 36; SW19	60004123		
3	Hexagonal nut self securing; M5	21 05 302		
4	Washer; D5,3 X D15 X 1,2	22 05 301		
5	Hose clamp; D12-22 X 9	30000711		
6	Industrial hose; DN13 X 3,5	40 02 035		600 mm; "By-the-metre" goods
7	Insulating sleeve; 9,0 X D36; D20	61006576		
8	Hose T-connecting piece; D15 X D15 X D15	70010598		
9	Industrial hose; DN13 X 3,5	40 02 035		50 mm; "By-the-metre" goods
10	Industrial hose; DN13 X 3,5	40 02 035		335 mm; "By-the-metre" goods
11	Wash arm holder	70008198		
12	Rinsing wash arm set; 6 DÜSEN	62003347		
12.1	Rotary arm screw; M12 X 36; SW19	60004123		
13	Hose coupling; R 3/4" X 1/2"	60002453		
13.1	Gasket; D16 X D24 X 3,0	83001022		
14	Hex nut; G 3/4" X 5,0; SW32	61002626		
15	O-ring; 24 X 3,0	27 07 087		
16	Backup ring; D38 X 5	62002875		
17	DOUBLE NIPPLE; G 3/4" X 40; SW30	80002167		
19	Industrial hose; DN13 X 3,5	40 02 035		3000mm; "By-the-metre" goods
20	15 l solenoid valve set; 200-240V/50-60HZ/+-10%	60004148		
21	RC element; 0,15 MICRO F; 3,3 KOHM	31 13 114	2	
22	Fast-on piggy-back plug	31 12 004	2	
23	Hose nipple, angled; D18	60002474		
23.1	Gasket; D16 X D24 X 3,0	83001022		
24	Industrial hose; DN13 X 3,5	40 02 035		1800 mm; "By-the-metre" goods
25	Industrial hose; DN13 X 3,5	40 02 035		1000 mm; "By-the-metre" goods
26	Hose bender; DN12,5 X 4,0	70004474		
27	Revolving arm holder	70011113		

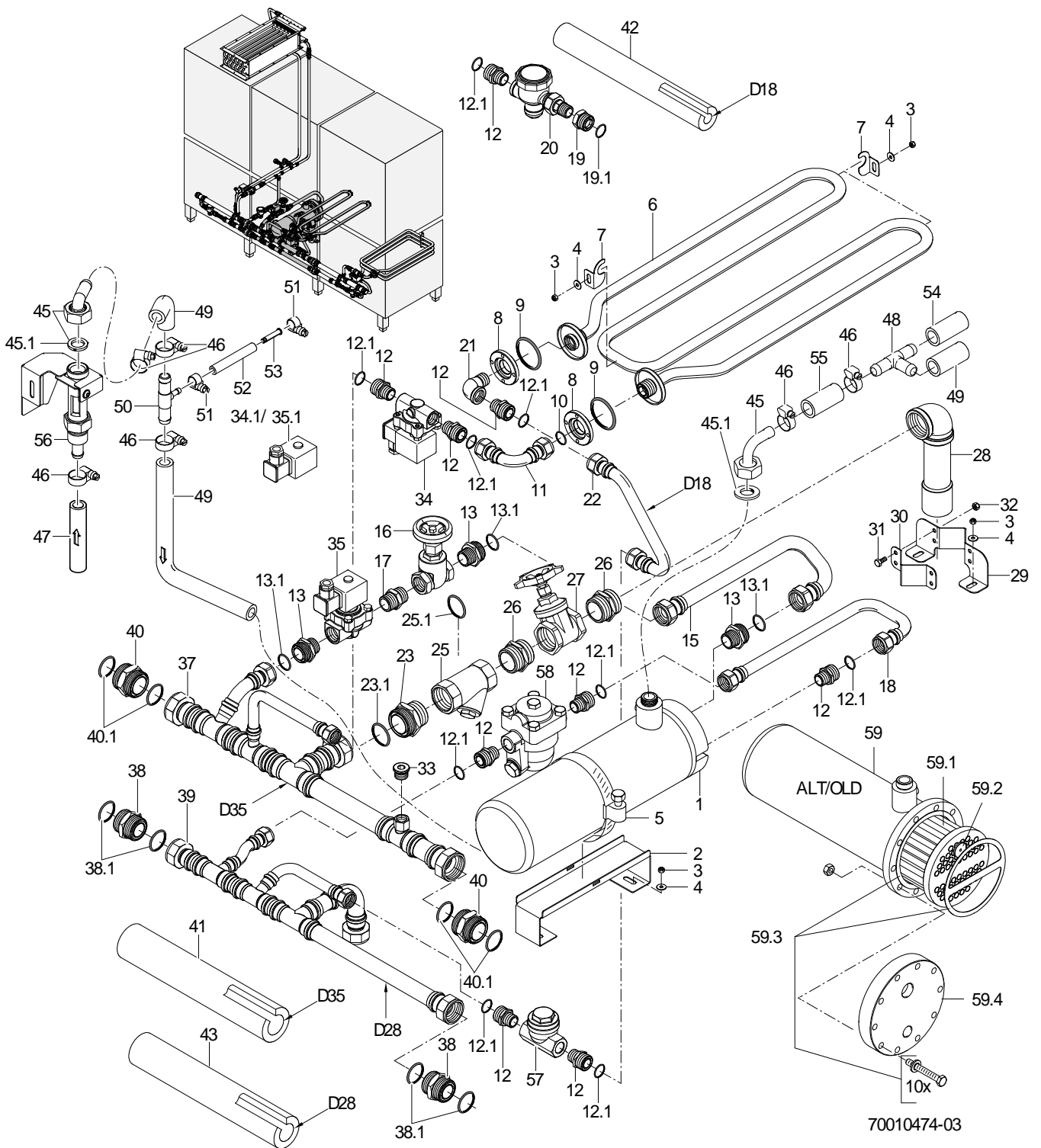


MTF Rinse zone

Steam heating

Item.	Designation	Parts no.	Pc.	Notes
1	Counterflow heat exchanger	70009590		
2	Boiler support; 1,5 X 81,66 X 428,31	70009685		
3	Hexagonal nut self securing; M5	21 05 302		
4	Washer; D5,3 X D15 X 1,2	22 05 301		
5	Hose clamp; D50-145 X 12	28 02 008		
6	Steam coil	70009682		
7	Support angle; 1,25 X 43,6 X 47,25	70009687	3	
8	Centring pressure plate; G 3/4" X 12, D59	70009508	2	
9	O-ring; 43 X 7,0	27 07 088	2	
10	O-ring; 18 X 2,5 (18,2 X 2,6)	27 07 077		
11	Steam pipe elbow	70009625		
12	Reducing nipple; G 3/4" X R 1/2"; SW27	70005633		incl. item 12.1
12.1	O-ring; 18 X 2,5 (18,2 X 2,6)	27 07 077		
13	Double nipple; G 1" X R 3/4"; SW36	70300682		incl. item 13.1
13.1	O-ring; 22,2 X 3,1	27 07 089		
15	Boiler pipe elbow	70009763		
16	Gate valve; G 3/4"	29 01 318		
17	Hexagonal double nipple; R 3/4" X 40; SW30	30 11 021		
18	Condensate drain elbow	70009765		up to machine no.: 573 882
18	Condensate drain elbow	70010434		from machine no.: 573 883
19	Reducing nipple; G 1/2" X G 3/4"; SW27	70300681		up to machine no.: 573 882
19.1	O-ring; 18 X 2,5 (18,2 X 2,6)	27 07 077		
20	Rapid condensate drain; R 1/2"	30000730		up to machine no.: 573 882
21	Elbow; G 1/2"	30 02 301		
22	Condensate drain elbow	70009678		up to machine no.: 573 882
22	Condensate drain elbow	70010556		from machine no.: 573 883
23	Double nipple; G 1 1/2" X R 1 1/4";	70300680		incl. item 23.1
23.1	O-ring; 35,4 X 3,25	27 07 090		
25	Dirt trap with viton seal; R 1 1/4" X 100	30000291		
25.1	O-ring; 30 X 3	30000281		
26	Double nipple; R 1 1/4", SW46	70009912		
27	Gate valve; 1 1/4"	29 01 319		
28	Steam pipe elbow	70009918		
29	Pipe support; 1,5 X 88,33 X 181,62	70009786		
30	Clamp; 1,5 X 40 X 121,62	70009770		
31	Hexagon screw; M6 X 12; A70	20 01 321	4	
32	Hexagonal nut; M6	21 05 304	4	
33	Screw plug; G 1/2"	30 08 303		

For missing items, see next page

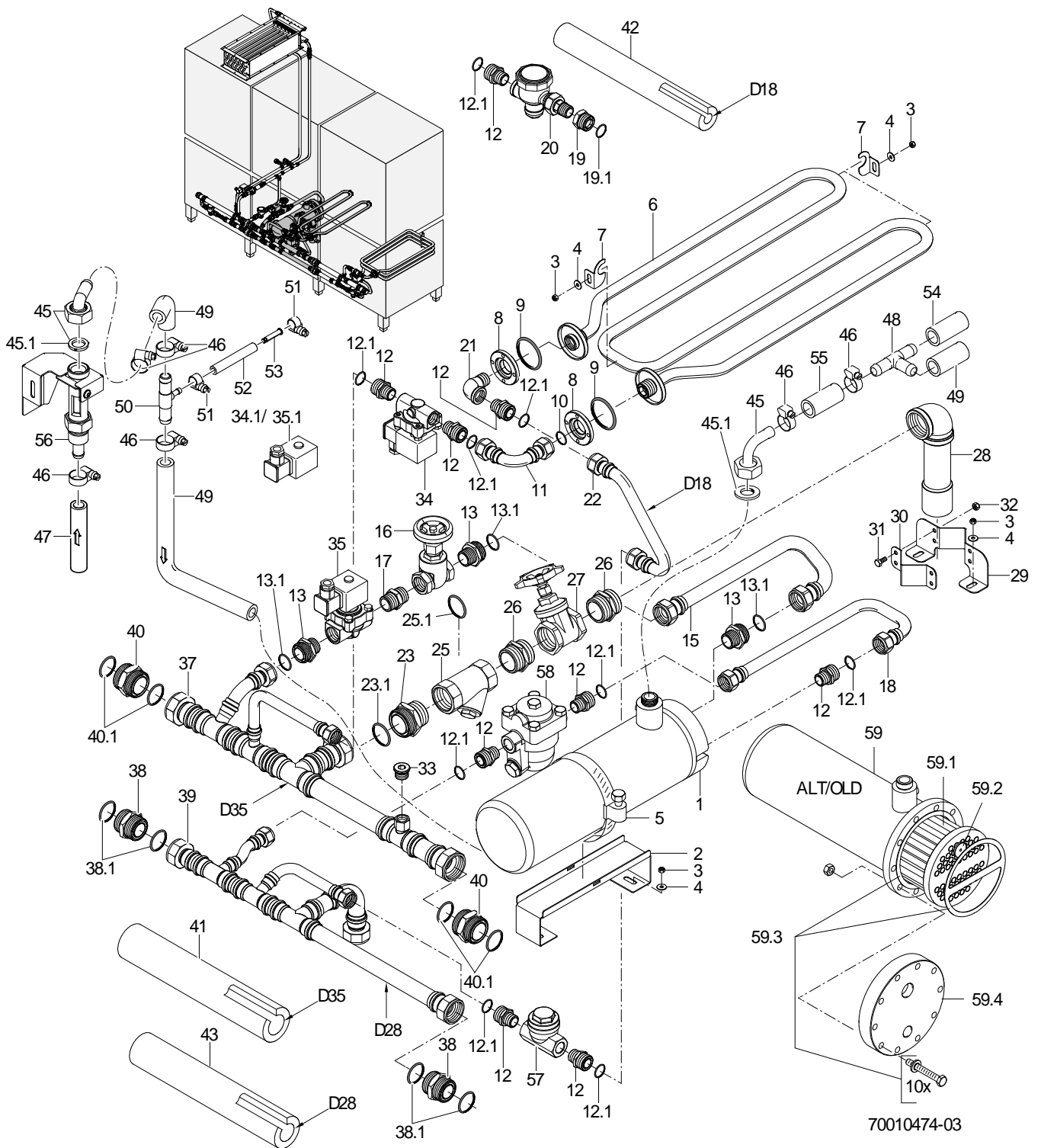


MTF Rinse zone

Steam heating

Item.	Designation	Parts no.	Pc.	Notes
34	2/2-Way solenoid valve; R1/2";230-240V;50-60HZ	31 06 143		incl. item 34.1
34.1	Coil; 220V/50HZ	31 06 147		
34	2/2-Way solenoid valve; R1/2"; 220-230V; 60HZ	31 06 237		incl. item 34.1
34.1	Coil; 220V/60HZ	31 06 149		
34	2/2-Way solenoid valve; R1/2"; 200V; 50HZ	31 06 238		incl. item 34.1
34.1	Coil; 200V/50HZ	31 06 156		
34	2/2-Way solenoid valve; R1/2"; 200V; 60HZ	31 06 239		incl. item 34.1
34.1	Coil; 200V/60HZ	31 06 157		
35	2/2-Way solenoid valve; G3/4";230-240V;50-60HZ	31 06 167		incl. item 35.1
35.1	Coil; 220V/50HZ	31 06 147		
35	2/2-Way solenoid valve; R3/4"; 220-230V; 60HZ	31 06 240		incl. item 35.1
35.1	Coil; 220V/60HZ	31 06 149		
35	2/2-Way solenoid valve; R3/4"; 200V; 50HZ	31 06 241		incl. item 35.1
35.1	Coil; 200V/50HZ	31 06 156		
35	2/2-Way solenoid valve; R3/4"; 200V; 60HZ	31 06 242		incl. item 35.1
35.1	Coil; 200V/60HZ	31 06 157		
37	Steam distributor pipe	70009708		Machine with dry zone
37	Steam distributor pipe	70009709		Machine without dry zone; right - left
37	Steam distributor pipe	70009711		Machine without dry zone; left - right
38	Double nipple; G 1 1/2" X 43; SW50	70300683		incl. item 38.1
38.1	O-ring; 35,4 X 3,25	27 07 090	2	
39	Condensate drain pipe	70009717		up to machine no.: 573 882; Machine with dry zone
39	Condensate drain pipe	70010436		from machine no.: 573 883; Machine with dry zone
39	Condensate drain pipe	70009718		up to machine no.: 573 882; Machine without dry zone; right - left
39	Condensate drain pipe	70010437		from machine no.: 573 883; Machine without dry zone; right - left
39	Condensate drain pipe	70009719		up to machine no.: 573 882; Machine without dry zone; left - right
39	Condensate drain pipe	70010438		from machine no.: 573 883; Machine without dry zone; left - right
40	Double nipple; G 1 1/4" X 43; SW46	70005739		incl. item 40.1
40.1	O-ring; 28 X 3 (28,3 X 3,1)	27 07 078	2	
41	Insulation; D35 X 19 X 1000	41 01 017		
42	Insulation; D18 X 19 X 1000	41 01 015		
43	Insulation; D28 X 19 X 1000	41 01 016		
o.P.	Adhesive; 0,5 LITER DOSE	34 03 030		
45	Hose nipple, angled; D18	60002474		
45.1	Gasket; D16 X D24 X 3,0	83001022		
46	Hose clamp; D12-22 X 9	30000711		
47	Hose bender; DN12,5 X 4,0	70004474		
48	Hose T-connecting piece; D15 X D15 X D15	70010598		
49	Moulded hose; DN12,5 X 4,0	70010855		

For missing items, see next page



MTF Rinse zone

Steam heating

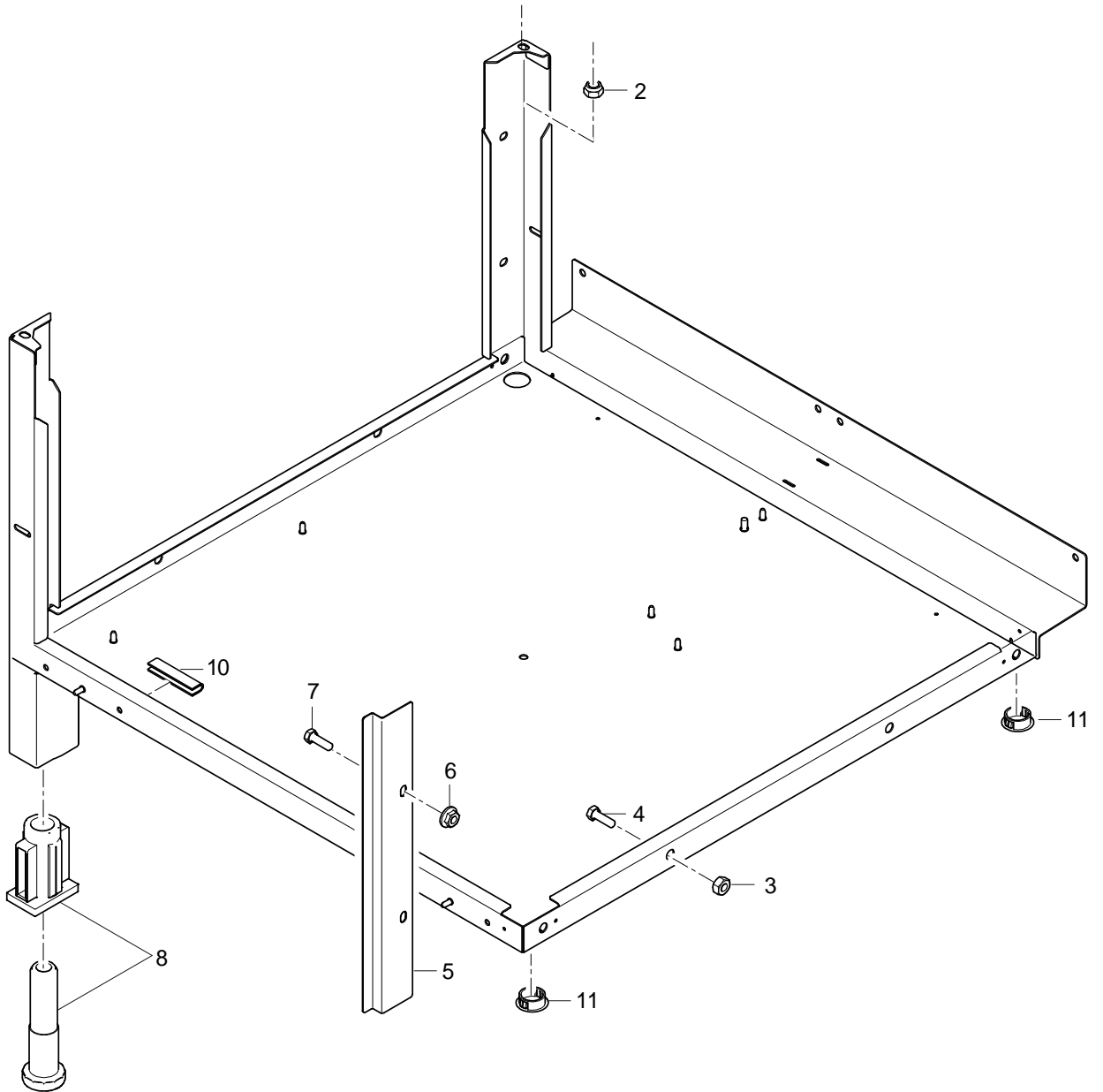
Item.	Designation	Parts no.	Pc.	Notes
50	Hose T-connecting piece; D15 X D15 X D10	70010599		
51	Hose clamp; D8-12 X 9	28 02 102		
52	Industrial hose; DN5 X 3,0	40 01 032		70 mm; "By-the-metre" goods
53	Bolt; D6 X 30	70200383		
54	Industrial hose; DN13 X 3,5	40 02 035		50 mm; "By-the-metre" goods
55	Industrial hose; DN13 X 3,5	40 02 035		170 mm; "By-the-metre" goods
56	Flow regulator; 2 - 8 L/MIN	70011176		
57	Thermostatic steam trap; 1/2"	29 03 012		from machine no.: 573 883
58	Steam trap; R 1/2" DRUCKSTUFE 5	29 03 013		from machine no.: 573 883
59	Counterflow heat exchanger	70009590		replaced by 70011080
59.1	Cascade orifice	70009948		replaced by 70011080
59.2	Cascade orifice	70009948		
59.3	KIT GASKETS STEAM BOILER	30000713		
59.4	Connection flange	70009593		

Spare parts list

MTF Dry zone

Contents

Base frame		Page 1 - 2
Water drain		Page 3 - 4
Blower	up to machine no.: 544 349	Page 5 - 8
Blower	from machine no.: 544 350	Page 9 - 10
Door		Page 11 - 12
Panelling		Page 13 - 14
Back panel		Page 15 - 16
Steam heating	right - left	Page 17 - 18
Steam heating	left - right	Page 19 - 20

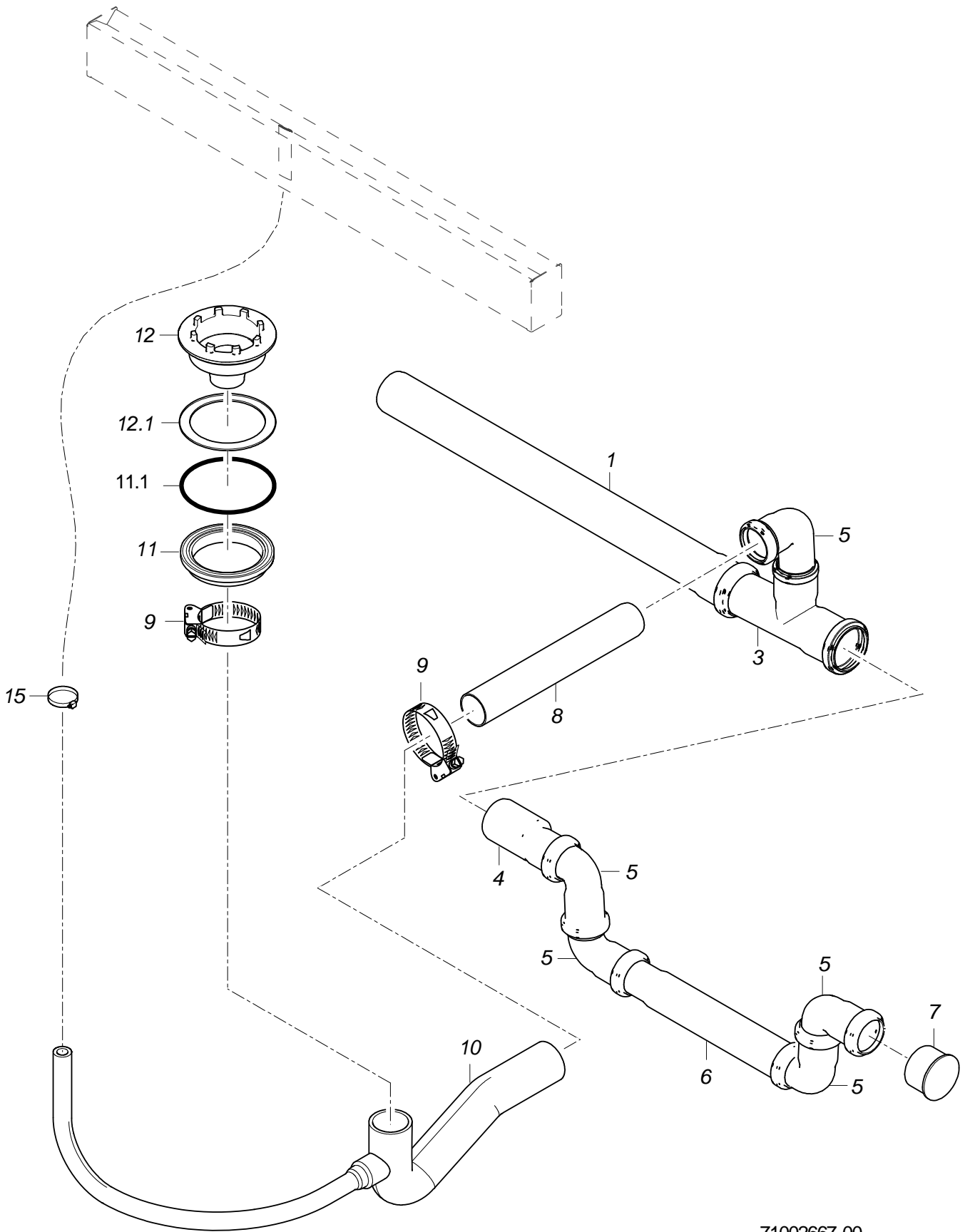


70009076-00

MTF Dry zone

Base frame

Item.	Designation	Parts no.	Pc.	Notes
2	Hexagonal nut; M6	21 05 304		
3	Hexagonal nut; M8	21 05 306		
4	Hexagon screw; M8 X 16; A70	20 01 302		
5	Splash plate; 1,25 X 63,7 X 344	70008365		
6	Ratchet nut; M6	21 01 311	2	
7	Hexagon screw; M6 X 12; A70	20 01 321	2	
8	Adjustable foot with threaded insert	61008117	4	
10	Edge protection profile; U9,5 X 2,0	40 04 015		600 mm; "By-the-metre" goods
11	Cap; D25,5	35 03 031	2	



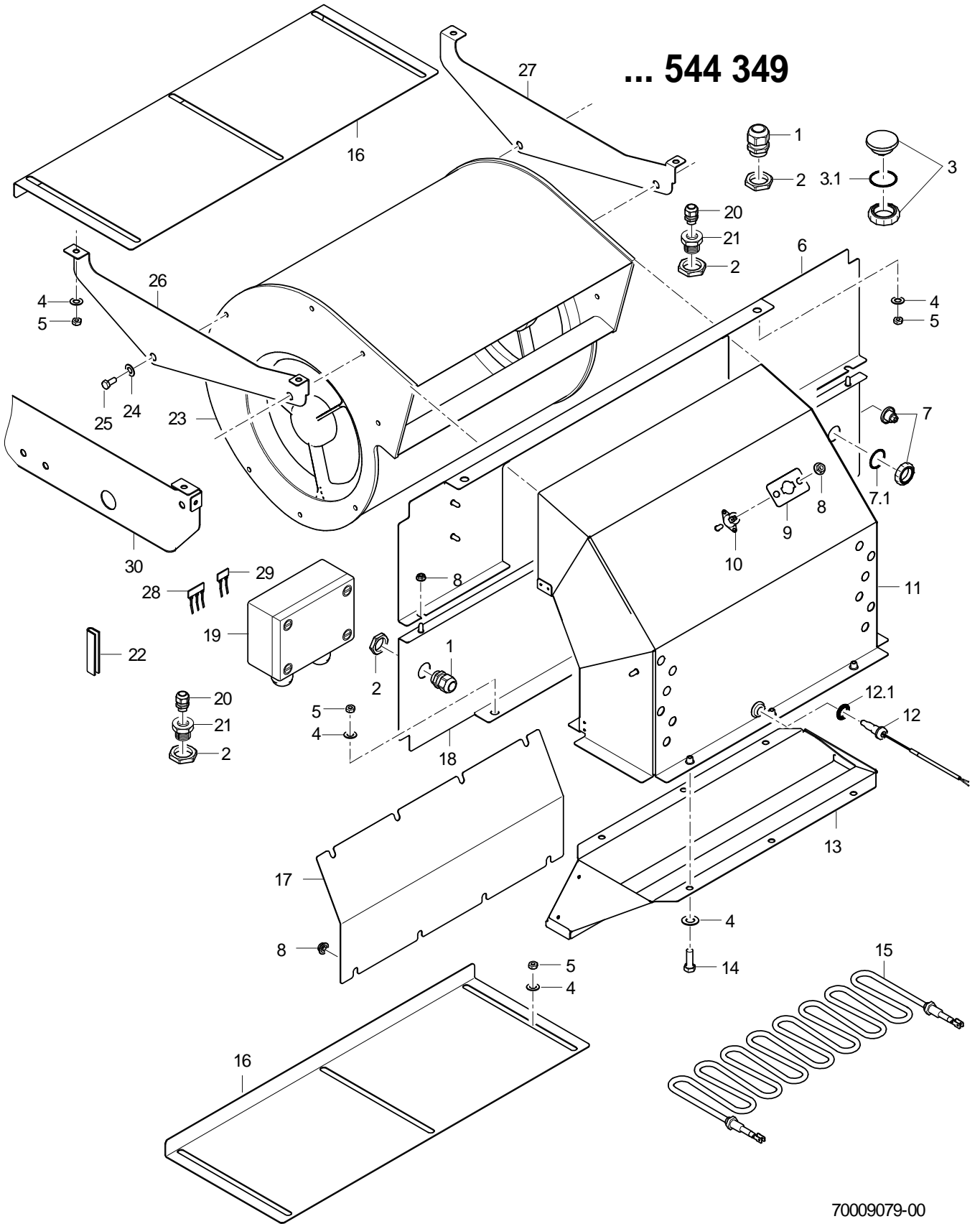
71002667-00

MTF Dry zone

Water drain

Item.	Designation	Parts no.	Pc.	Notes
1	HT pipe; DN50 X 750	30 15 546		adapt
3	HT branch pipe; DN50 X DN40; 87GRAD	30 15 509		
4	HT reducer; DN50 X DN40	30 15 521		
5	HT bend; DN40; 87GRAD	30 15 505	4	
6	HT pipe; DN40 X 250	30 15 503		adapt
7	HT end cap; DN40	30 15 559		
8	HT pipe; DN40 X 250	30 15 503		adapt
9	Hose clamp; D50-70 x 12	30001243	2	
10	Hose bend	70010405		
11	Lock nut; S85 X 4; D104	61005268		
11.1	O-ring; 91 X 3,5	27 07 075		
12	Sump drain set	61006178		
12.1	Gasket; D80 X D102 X 2,0	27 01 007		
15	Hose clamp; D12-22 X 9	30000711	2	

... 544 349



70009079-00

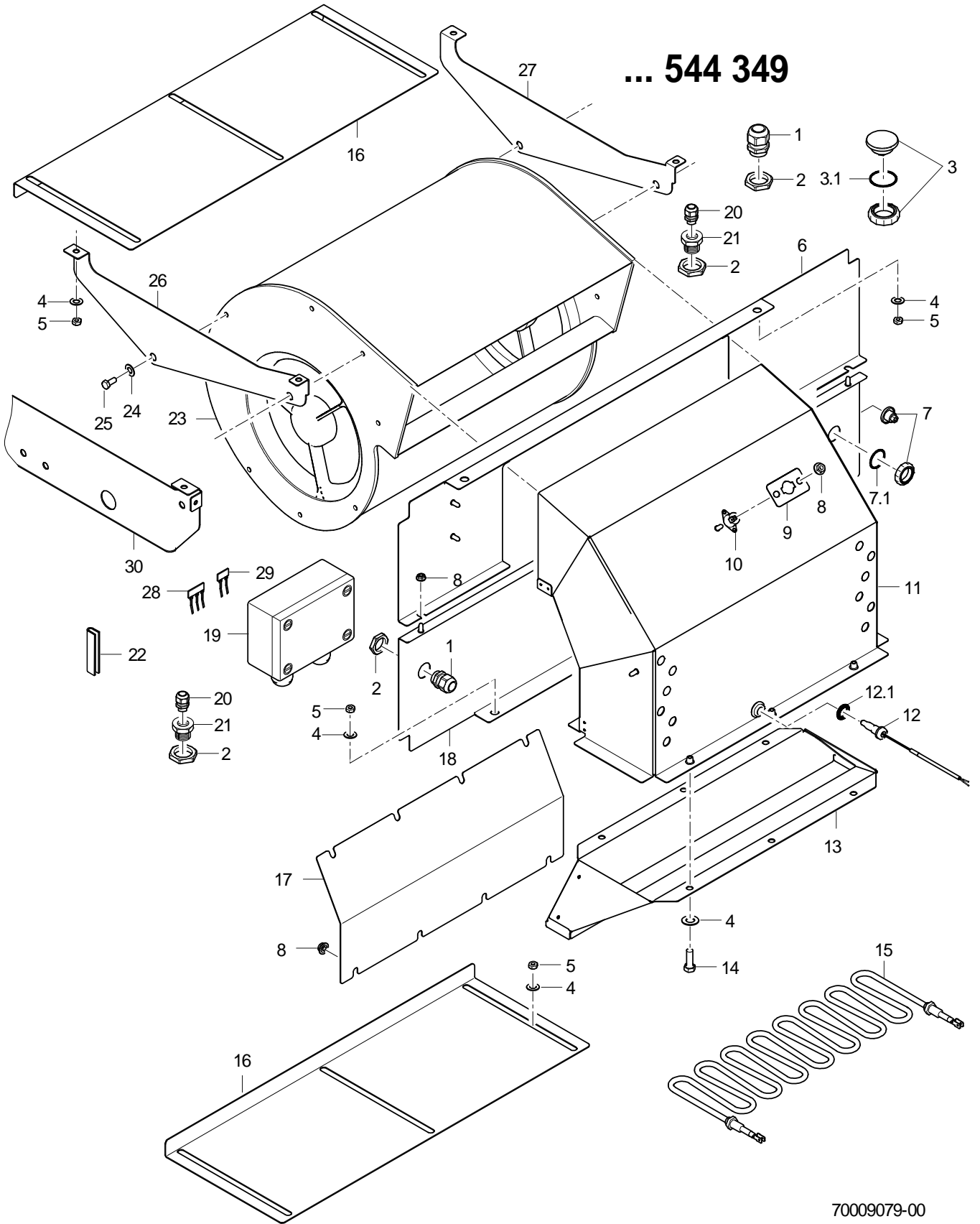
MTF Dry zone

Blower up to machine no.: 544 349

Item.	Designation	Parts no.	Pc.	Notes
1	Cable gland; M20 X 1,5; 6-13MM;IP68	31 10 152		
2	Hexagonal nut; M20 X 1,5 X 5,0; SW27	31 10 162		
3	Dummy plug; G 1/2" X 21,4;SW10;SW5	70004912		
3.1	O-ring; 20 X 2,5	27 07 004		
4	Washer; D5,3 X D15 X 1,2	22 05 301		
5	Hexagonal nut self securing; M5	21 05 302		
6	Metal sheet (fan housing) L-R	70008275		left - right
6	Metal sheet (fan housing) R-L	70008276		right - left
7	Dummy plug; G 3/8" X 21,4; SW10;	70004899		
7.1	O-ring; 16 X 2,5	27 07 001		
8	Ratchet nut; M5	21 01 310		
9	Holder; 1,0 X 30 X 55	70008390		
10	KIT SAFETY THERMOSTAT DRYING ZONE	70010799		
10	Safety thermostat, man. Back; 120°C/+-4°C/ 250V AC	31 25 063		High-Temp
11	Connecting sleeve	70008106		
12	Thermosensor set	71002590		
12.1	O-ring; 10 X 1	27 07 054		
13	Jet	70007996		
14	Hexagon screw; M5 X 16; A70	20 01 309	6	
15	Sealing kit	31 00 001		
15	2.0 kW corrugated heating element; 230V/1	31 03 137	3	up to machine no.: 544 592; 400V/3 + 3x230V
15	2.0 kW corrugated heating element; 240V/1	31 03 138	3	up to machine no.: 544 592; 420V/3
15	2.0 kW corrugated heating element; 200V/1	31 03 136	3	up to machine no.: 544 592; 200V/3
15	2.0 kW corrugated heating element; 254V/1	31 03 139	3	up to machine no.: 544 592; 440V/3
15	2.0 kW corrugated heating element; 400V/1	31 03 236	3	from machine no.: 544 593; 400V/3
15	2.0 kW corrugated heating element; 415V/1	31 03 237	3	from machine no.: 544 593; 420V/3
15	2.0 kW corrugated heating element; 230V/1	31 03 137	3	from machine no.: 544 593; 3x230V
15	2.0 kW corrugated heating element; 200V/1	31 03 136	3	from machine no.: 544 593; 200V/3
15	2.0 kW corrugated heating element; 440V/1	31 03 238	3	from machine no.: 544 593; 440V/3
16	Slide; 1,25 X 220,8 X 527,5	70008560	2	
17	Cover (T-Z connecting sleeve); 1,25 X 162,81 X 374	70005247		
18	Metal sheet	70006399		Machine with straight dry zone
19	15-pos. terminal block box; 130 X 94 X 57; IP 66	31 18 097		
20	Cable gland; M12 X 1,5; 3-7MM; IP68	31 10 150		

For missing items, see next page

... 544 349



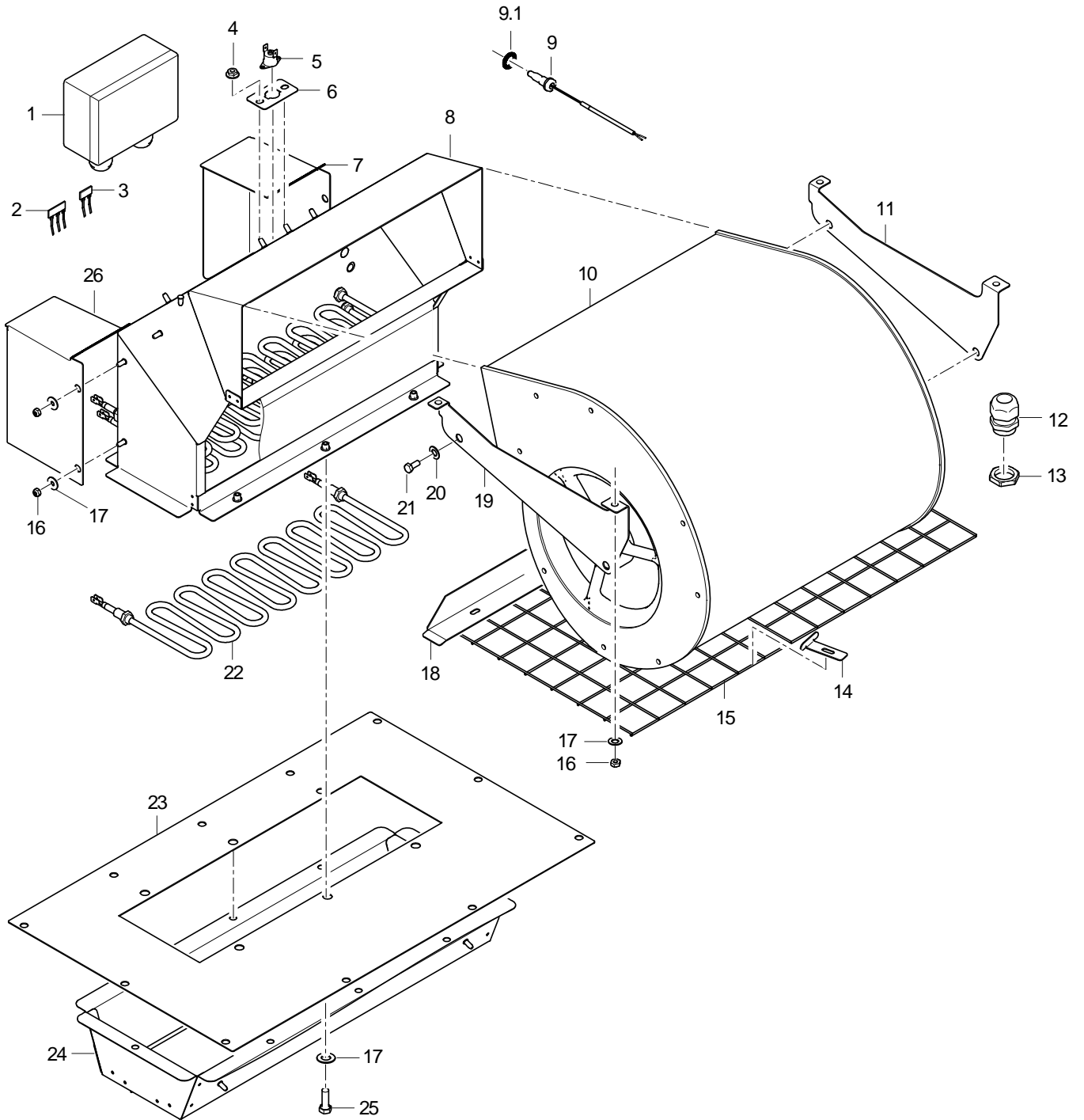
70009079-00

MTF Dry zone

Blower up to machine no.: 544 349

Item.	Designation	Parts no.	Pc.	Notes
21	Reducing ring; M20 X 1,5/M12 X 1,5	31 10 170		
22	Edge protection profile; U9,5 X 2,0	40 04 015		100 mm; "By-the-metre" goods
23	0.42 kW radial blower; 230/400V+-10%; 50/60HZ	31 17 027		
23	0.42 kW radial blower; 200/345V+-10%; 50/60HZ	31 17 028		Japan
24	Washer; D6,4 X D18 X 1,6	22 05 302		
25	Hexagon screw; M6 X 16; A70	20 01 306		
26	Angle; 1,5 X 127,4 X 400	70006403		Machine with straight dry zone
27	Angle; 1,5 X 127,4 X 400	70006404		Machine with straight dry zone
28	Insertion bridge; 3-POL.;\VOLLISO.;EB 3-6	31 09 214		
29	Insertion bridge; 2-POL.;\VOLLISO.;EB 2-6	31 09 263		
30	Blower holder (corner T zone); 1,5 X 136,7 X 563	70007536	2	Machine with corner dry zone

544 350...

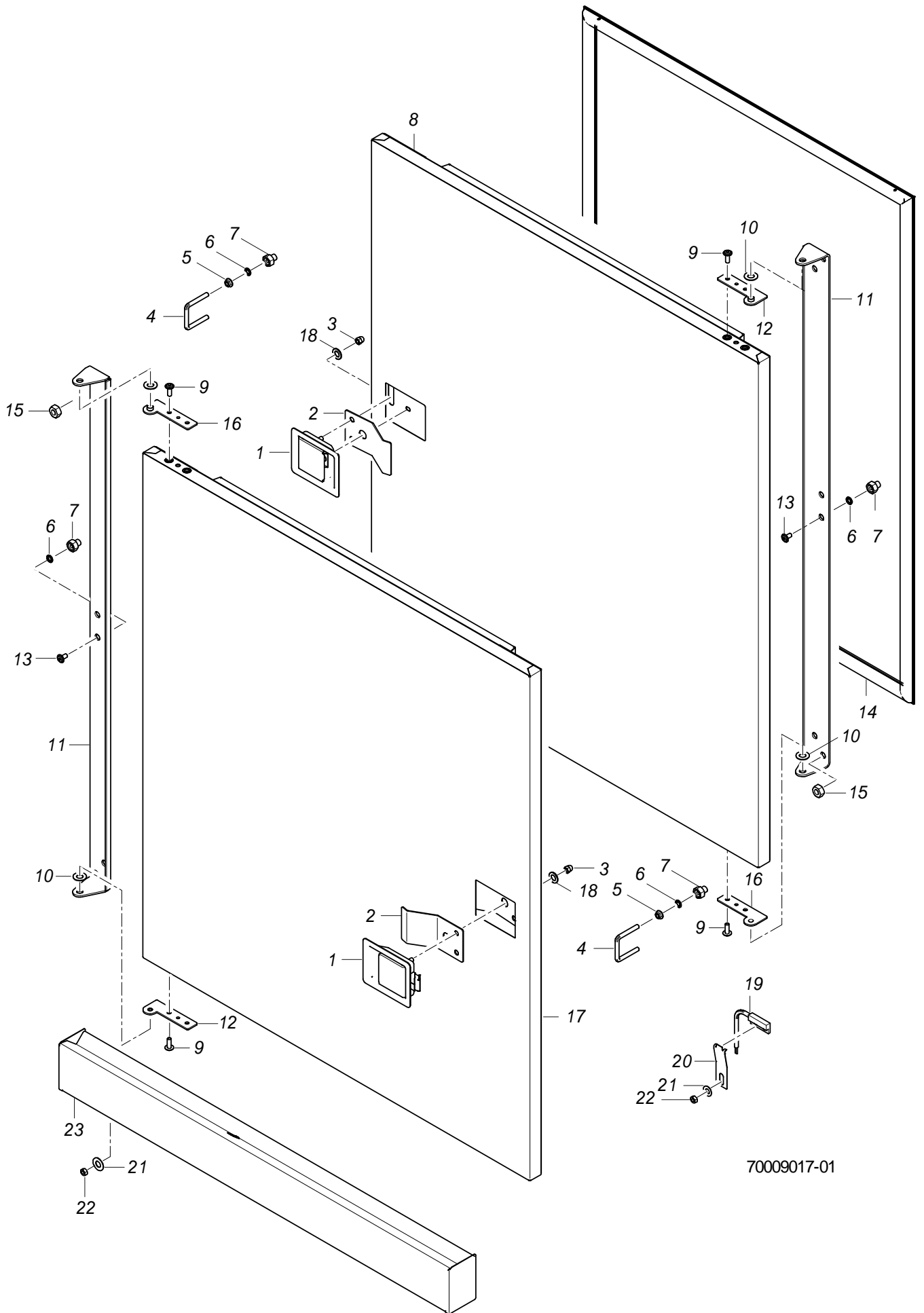


70010493-00

MTF Dry zone

Blower from machine no.: 544 350

Item.	Designation	Parts no.	Pc.	Notes
1	15-pos. terminal block box; 130 X 94 X 57; IP 66	31 18 097		
2	Insertion bridge; 3-POL.;VOLLISO.;EB 3-6	31 09 214		
3	Insertion bridge; 2-POL.;VOLLISO.;EB 2-6	31 09 263		
4	Ratchet nut; M5	21 01 310		
5	KIT SAFETY THERMOSTAT DRYING ZONE	70010799		
5	Safety thermostat, man. Back; 120°C/+4°C/ 250V AC	31 25 063		High-Temp
6	Holder; 1,0 X 30 X 55	70008390		
7	Guard plate 2 (TZ-G); 1,25 X 199,6 X 246,08	70009489		
8	Connecting sleeve	70008106		
9	Thermosensor set	71002590		
9.1	O-ring; 10 X 1	27 07 054		
10	0.42 kW radial blower; 230/400V+-10%; 50/60HZ	31 17 027		
10	0.42 kW radial blower; 200/345V+-10%; 50/60HZ	31 17 028		Japan
11	Elbow; 1,5 X 126,83 X 300	70009341		
12	Cable gland; M20 X 1,5; 6-13MM;IP68	31 10 152		
13	Hexagonal nut; M20 X 1,5 X 5,0; SW27	31 10 162		
14	Clamp; 1,25 X 35 X 54,45	70010183	2	
15	Wire grate; D2 X 296 X 548	70010169		
16	Hexagonal nut self securing; M5	21 05 302		
17	Washer; D5,3 X D15 X 1,2	22 05 301		
18	Support angle	70010182		
19	Elbow; 1,5 X 126,83 X 300	70009342		
20	Washer; D6,4 X D18 X 1,6	22 05 302		
21	Hexagon screw; M6 X 16; A70	20 01 306		
22	2.0 kW corrugated heating element; 230V/1	31 03 137	3	up to machine no.: 544 592; 400V/3 + 3x230V
22	2.0 kW corrugated heating element; 240V/1	31 03 138	3	up to machine no.: 544 592; 420V/3
22	2.0 kW corrugated heating element; 200V/1	31 03 136	3	up to machine no.: 544 592; 200V/3
22	2.0 kW corrugated heating element; 254V/1	31 03 139	3	up to machine no.: 544 592; 440V/3
22	2.0 kW corrugated heating element; 400V/1	31 03 236	3	from machine no.: 544 593; 400V/3
22	2.0 kW corrugated heating element; 415V/1	31 03 237	3	from machine no.: 544 593; 420V/3
22	2.0 kW corrugated heating element; 200V/1	31 03 136	3	from machine no.: 544 593; 200V/3
22	2.0 kW corrugated heating element; 230V/1	31 03 137	3	from machine no.: 544 593; 3x230V
22	2.0 kW corrugated heating element; 440V/1	31 03 238	3	from machine no.: 544 593; 440V/3
23	Adapter	70009485		Machine with straight dry zone
23	Adapter	70009492		Machine with corner dry zone
24	Jet	70009300		
25	Hexagon screw; M5 X 16; A70	20 01 309		
26	Guard plate 1 (TZ-G); 1,25 X 199,6 X 246,08	70009488		

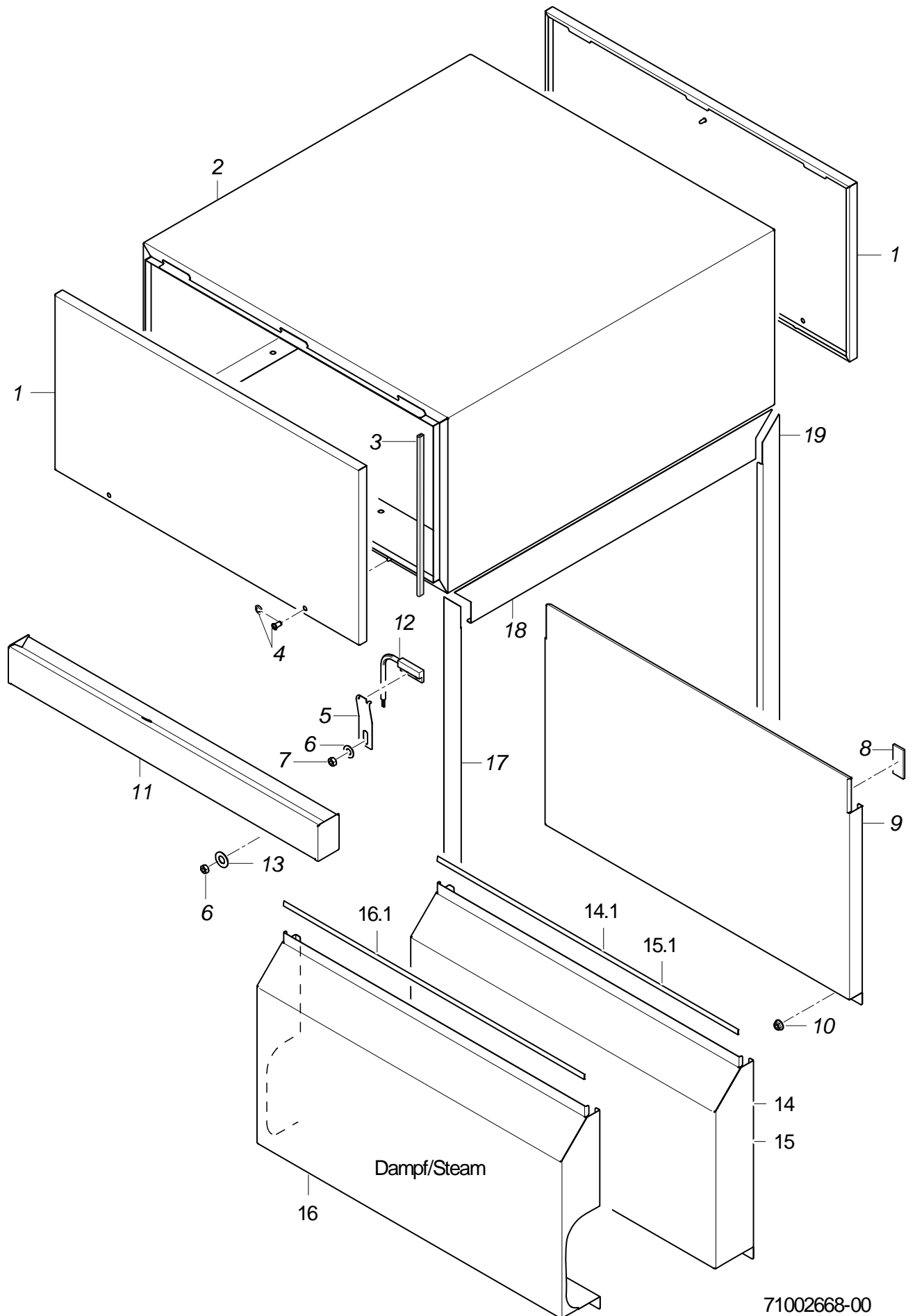


70009017-01

MTF Dry zone

Door

Item.	Designation	Parts no.	Pc.	Notes
1	Snap closure	70008012		
2	Bracket; 1,5 X 50 X 96,33	70008430		
3	Cap nut; M5	21 10 303	2	
4	Bracket; D5 X 106,5	70006802		
5	Ratchet nut; M5	21 01 310	2	
6	O-ring; 6 X 2	27 07 012	4	
7	Nut; M5; D12,6 X D8 X 15	70008010	2	
8	Kit replacement door MT	70010729		
9	Raised head screw with internal hexagon; M5 X 14 MIT FLANSCH	20 10 314	4	
10	Washer; D8,5 X D17 X 1,0	22 08 515	2	
11	Hinge; 2,5 X 42,9 X 872,57	70006294		
12	KIT DOOR HINGE	70010730		
13	Raised head screw with flange; M5 X 12 MIT FLANSCH	20 10 006	2	
14	Door seal; 12,5 X 590,5 X 786,5	70008689		
15	Hexagonal nut; M6	21 05 304	4	
16	KIT DOOR HINGE	70010730		
17	Kit replacement door MT	70010729		
18	Washer; D5,3 X D10 X 1,0	22 01 300	2	
19	Solenoid switch; 32 X 14,9 X 6,9;1350MM	31 24 272		
20	Holder; 0,8 X 19 X 65	70007658		
21	Washer; D5,3 X D15 X 1,2	22 05 301		
22	Hexagonal nut self securing; M5	21 05 302		
23	Water channel	70006289		

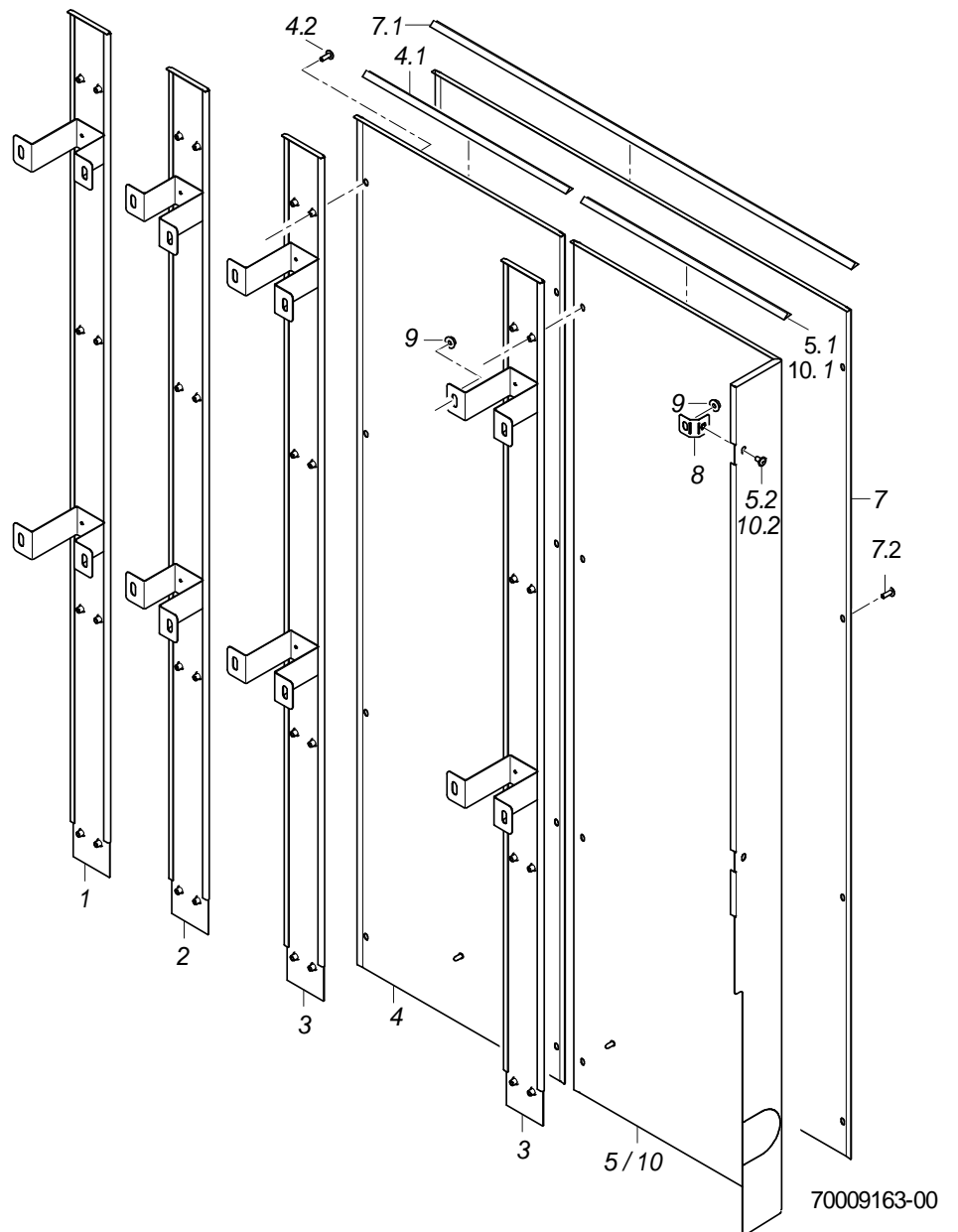
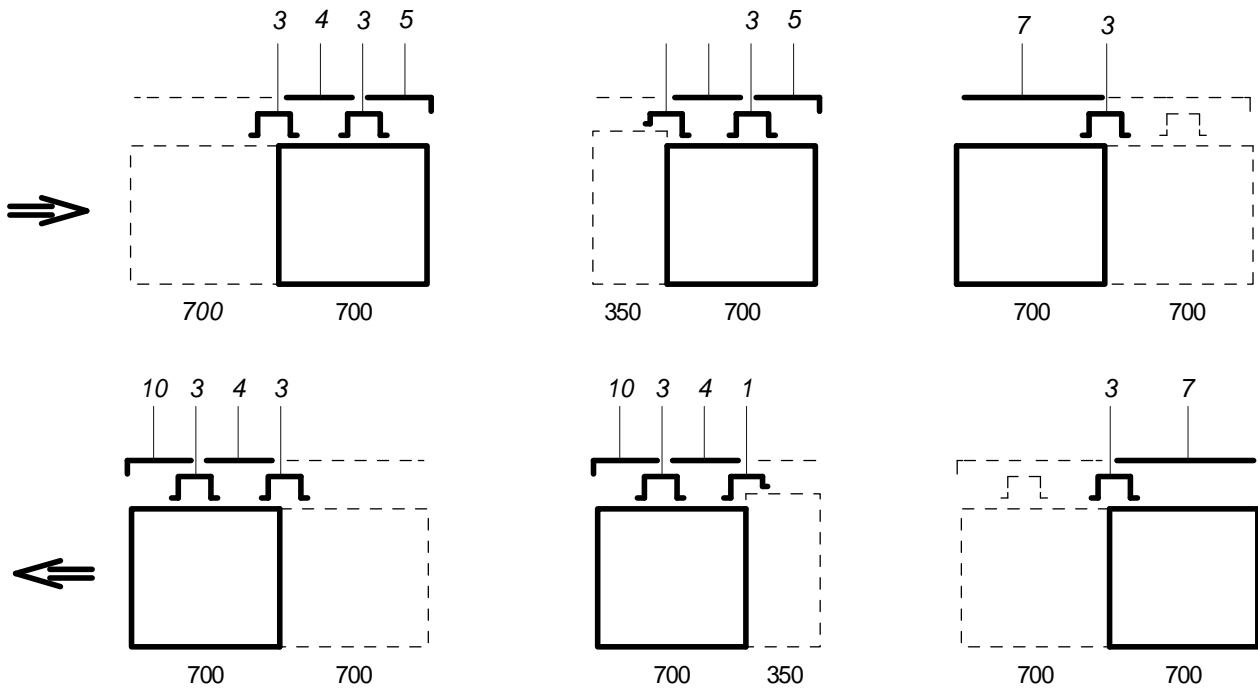


71002668-00

MTF Dry zone

Panelling

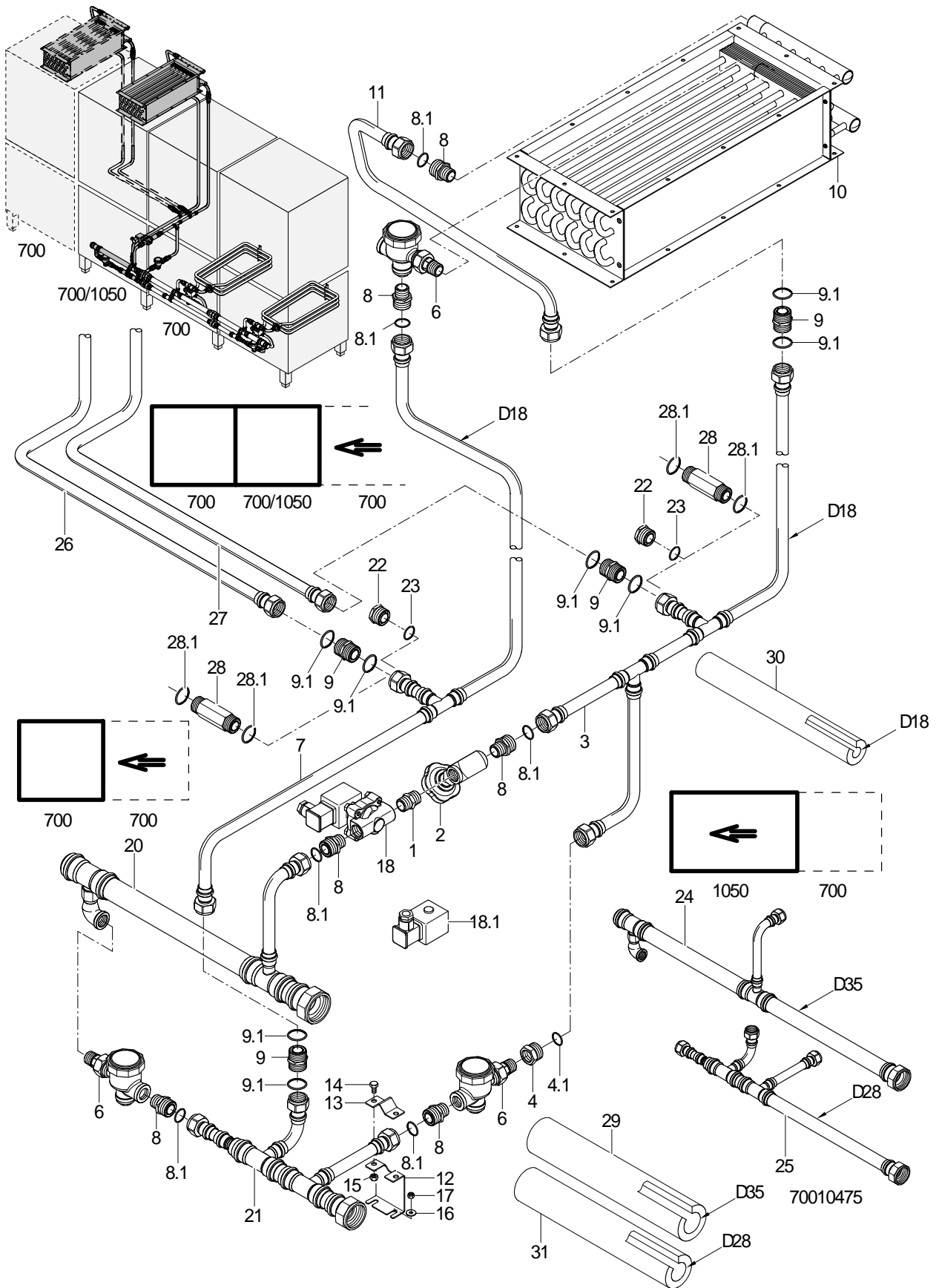
Item.	Designation	Parts no.	Pc.	Notes
1	Cover	70008509	2	
2	Housing	70006394		up to machine no.: 544 349
2	Housing cpl.	70009336		from machine no.: 544 350
3	Sealing profile; 1,0 - 2,0MM	40 04 006		2000 mm; "By-the-metre" goods
4	Truss-head screw with retaining ring; M5 X 15	70005097		
5	Holder; 0,8 X 19 X 65	70007658		
6	Washer; D4,3 X D12 X 1,0	22 05 300		
7	Hexagonal nut self securing; M5	21 05 302		
8	Sealing tape; 9 X 2 X 10000	30001091		1 roll = 10 m
9	Covering (base frame)	70008251		
10	Ratchet nut; M5	21 01 310	6	
11	Water channel	70006289		
12	Solenoid switch; 32 X 14,9 X 6,9;1350MM	31 24 272		
13	Washer; D5,3 X D15 X 1,2	22 05 301	5	
14	Covering	70009496		steam heated left - right
14.1	Rubber profile; 9 BREIT;1,5 X 25000	48 03 028		1 roll = 25 m
15	Covering	70009495		steam heated right - left
15.1	Rubber profile; 9 BREIT;1,5 X 25000	48 03 028		1 roll = 25 m
16	Covering	70009494		Machine with straight dry zone (2x)
16.1	Rubber profile; 9 BREIT;1,5 X 25000	48 03 028		1 roll = 25 m
17	Screen	71002026		
18	Screen	71002028		
19	Screen	71002027		



MTF Dry zone

Back panel

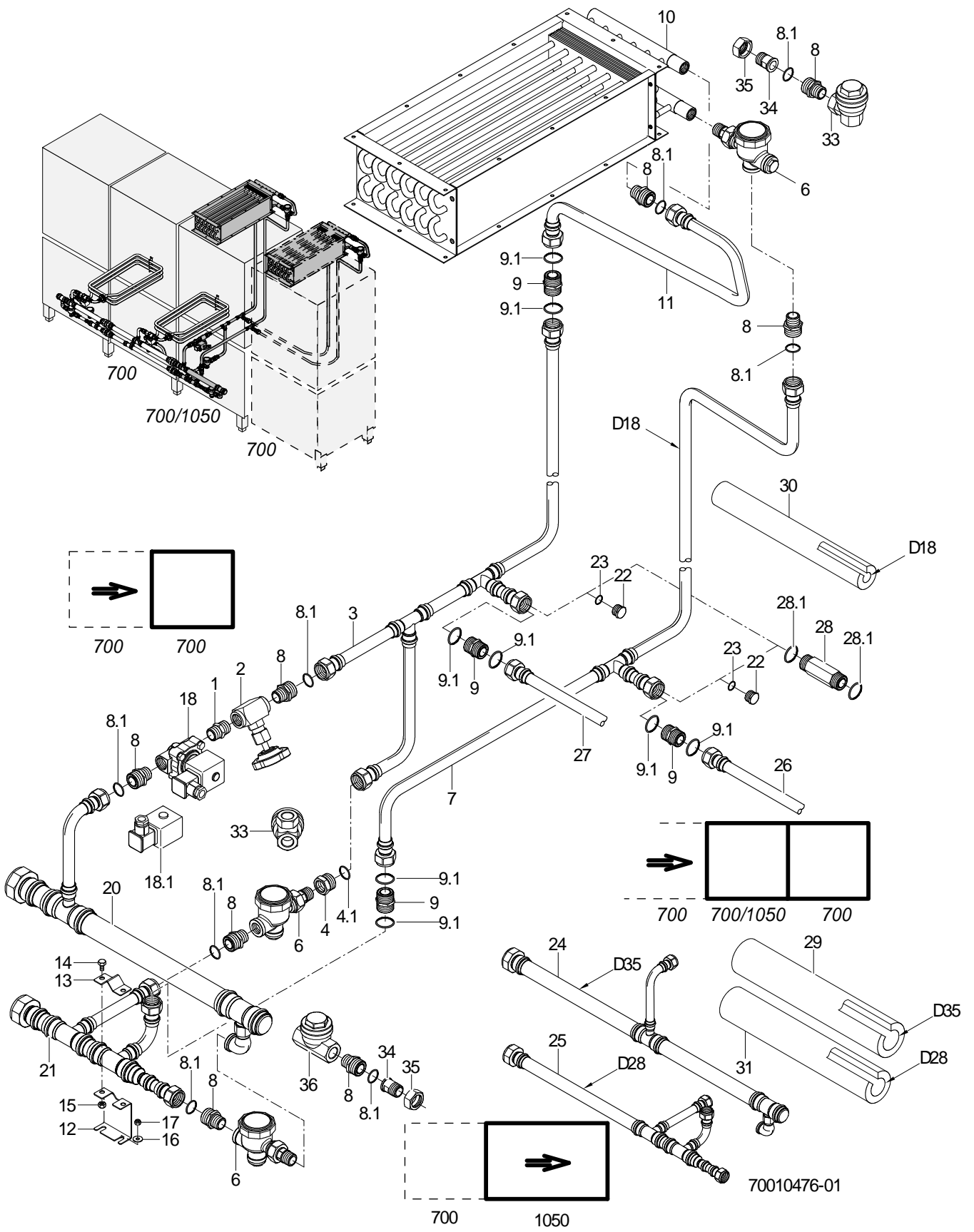
Item.	Designation	Parts no.	Pc.	Notes
1	Back wall rail	70008139		Option
2	Back wall rail	70008140		Option
3	Back wall rail	70008132		
4	Back panel 350	70009172		Option
4.1	Rubber profile; 9 BREIT;1,5 X 25000	48 03 028		1 roll = 25 m
4.2	Raised head screw with flange; M5 X 12 MIT FLANSCH	20 10 006	8	
5	Corner cladding	70009170		left - right
5.1	Rubber profile; 9 BREIT;1,5 X 25000	48 03 028		1 roll = 25 m
5.2	Raised head screw with flange; M5 X 12 MIT FLANSCH	20 10 006	7	
7	Back panel 700	70009173		
7.1	Rubber profile; 9 BREIT;1,5 X 25000	48 03 028		1 roll = 25 m
7.2	Raised head screw with flange; M5 X 12 MIT FLANSCH	20 10 006	8	
8	Lug	70006597		
9	Ratchet nut; M5	21 01 310		
10	Corner cladding	70009171		right - left
10.1	Rubber profile; 9 BREIT;1,5 X 25000	48 03 028		1 roll = 25 m
10.2	Raised head screw with flange; M5 X 12 MIT FLANSCH	20 10 006	7	



MTF Dry zone

Steam heating right - left

Item.	Designation	Parts no.	Pc.	Notes
1	Double nipple; G 1/2" X 3/4"; SW22	30 11 300		
2	Needle valve; G 1/2"	35 01 030		
3	Ascending steam pipe	70010011		
4	Reducing nipple; G 1/2" X G 3/4"; SW27	70300681		incl. item 4.1
4.1	O-ring; 18 X 2,5 (18,2 X 2,6)	27 07 077		
6	Rapid condensate drain; R 1/2"	30000730		
7	Ascending condensation pipe	70010010		
8	Reducing nipple; G 3/4" X R 1/2"; SW27	70005633		incl. item 8.1
8.1	O-ring; 18 X 2,5 (18,2 X 2,6)	27 07 077		
9	Double nipple; G 3/4" X 3/2"; SW27	70005738		incl. item 9.1
9.1	O-ring; 18 X 2,5 (18,2 X 2,6)	27 07 077	2	
10	Steam-air heat exchanger	70011969		
11	Pipe bend, R-L	70009382		
12	Support; 1,5 X 60 X 112,66	70009286		
13	Clamp; 1,5 X 25 X 68	70004605		
14	Hexagon screw; M6 X 10; A70	30002732	2	
15	Hexagonal nut; M6	21 05 304	2	
16	Washer; D5,3 X D15 X 1,2	22 05 301	2	
17	Hexagonal nut self securing; M5	21 05 302	2	
18	2/2-Way solenoid valve; R1/2";230-240V;50-60HZ	31 06 143		incl. item 18.1
18.1	Coil; 220V/50HZ	31 06 147		
18	2/2-Way solenoid valve; R1/2"; 220-230V; 60HZ	31 06 237		incl. item 18.1
18.1	Coil; 220V/60HZ	31 06 149		
18	2/2-Way solenoid valve; R1/2"; 200V; 50HZ	31 06 238		incl. item 18.1
18.1	Coil; 200V/50HZ	31 06 156		
18	2/2-Way solenoid valve; R1/2"; 200V; 60HZ	31 06 239		incl. item 18.1
18.1	Coil; 200V/60HZ	31 06 157		
20	Steam distributor pipe	70009288		
21	Condensate drain pipe	70009289		
22	Plug; G 3/4" X 16,5; SW27	70010004	2	
23	O-ring; 18 X 2,5 (18,2 X 2,6)	27 07 077		
24	Steam distributor pipe	70009290		
25	Condensate drain pipe	70009291		
26	Ascending condensation pipe	70010006		
27	Ascending steam pipe	70010008		
29	Insulation; D35 X 19 X 1000	41 01 017		
30	Insulation; D18 X 19 X 1000	41 01 015		
31	Insulation; D28 X 19 X 1000	41 01 016		
o.P.	Adhesive; 0,5 LITER DOSE	34 03 030		



MTF Dry zone

Steam heating left - right

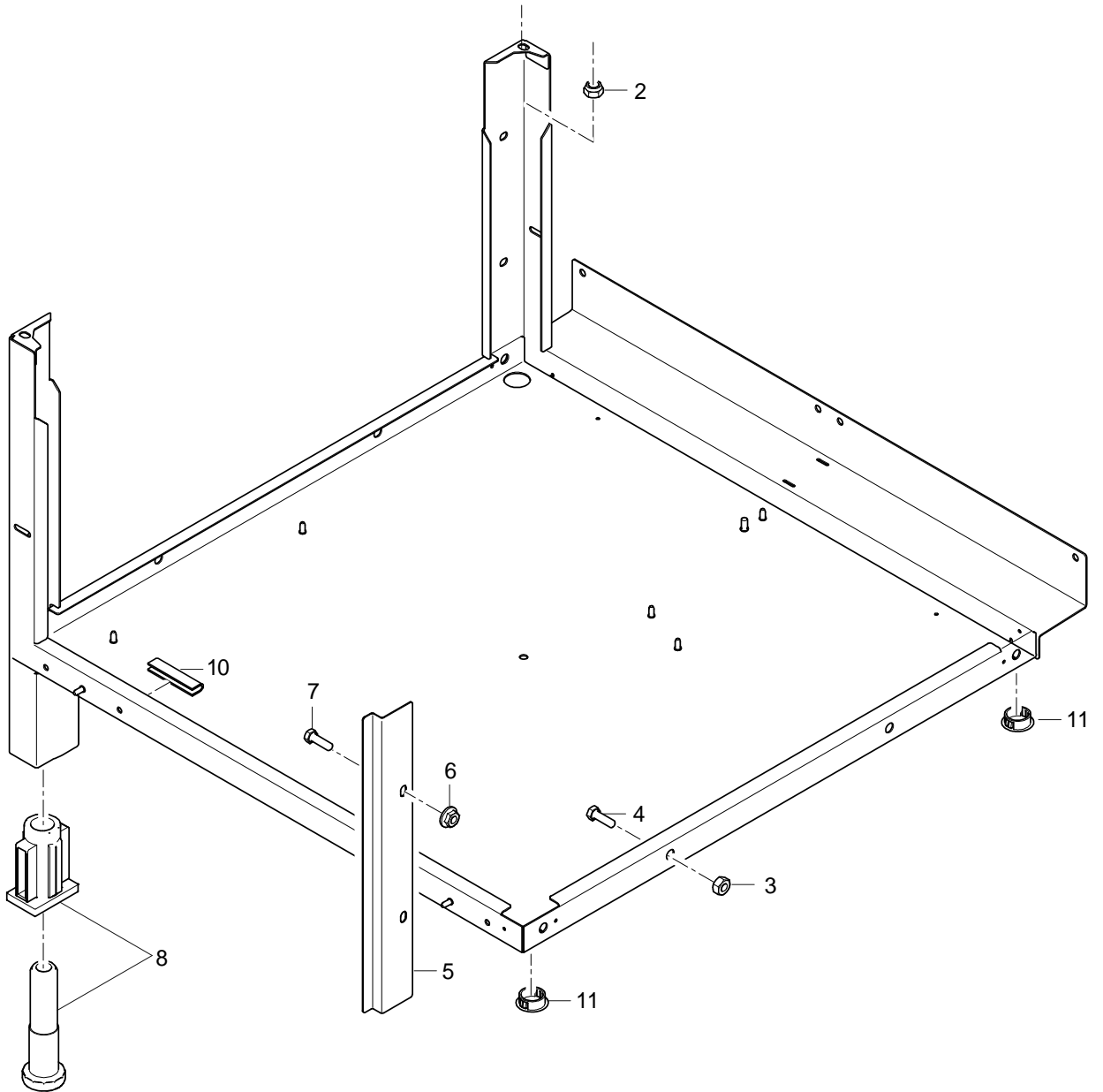
Item.	Designation	Parts no.	Pc.	Notes
1	Double nipple; G 1/2" X 34; SW22	30 11 300		
2	Needle valve; G 1/2"	35 01 030		
3	Ascending steam pipe	70009997		up to machine no.: 573 882
3	Ascending steam pipe	70010579		from machine no.: 573 883
4	Reducing nipple; G 1/2" X G 3/4"; SW27	70300681		up to machine no.: 573 882
4.1	O-ring; 18 X 2,5 (18,2 X 2,6)	27 07 077		
6	Rapid condensate drain; R 1/2"	30000730		up to machine no.: 573 882
7	Ascending condensation pipe	70010002		up to machine no.: 573 882
7	Ascending condensation pipe	70010577		from machine no.: 573 883
8	Reducing nipple; G 3/4" X R 1/2"; SW27	70005633		incl. item 8.1
8.1	O-ring; 18 X 2,5 (18,2 X 2,6)	27 07 077		
9	Double nipple; G 3/4" X 32; SW27	70005738		incl. item 9.1
9.1	O-ring; 18 X 2,5 (18,2 X 2,6)	27 07 077	2	
10	Steam-air heat exchanger	70011969		
11	Pipe bend, L-R	70009361		
12	Support; 1,5 X 60 X 112,66	70009286		
13	Clamp; 1,5 X 25 X 68	70004605		
14	Hexagon screw; M6 X 10; A70	30002732	2	
15	Hexagonal nut; M6	21 05 304	2	
16	Washer; D5,3 X D15 X 1,2	22 05 301	2	
17	Hexagonal nut self securing; M5	21 05 302	2	
18	2/2-Way solenoid valve; R1/2";230-240V;50-60HZ	31 06 143		incl. item 18.1
18.1	Coil; 220V/50HZ	31 06 147		
18	2/2-Way solenoid valve; R1/2"; 220-230V; 60HZ	31 06 237		incl. item 18.1
18.1	Coil; 220V/60HZ	31 06 149		
18	2/2-Way solenoid valve; R1/2"; 200V; 50HZ	31 06 238		incl. item 18.1
18.1	Coil; 200V/50HZ	31 06 156		
18	2/2-Way solenoid valve; R1/2"; 200V; 60HZ	31 06 239		incl. item 18.1
18.1	Coil; 200V/60HZ	31 06 157		
20	Steam distributor pipe	70009183		up to machine no.: 573 882
20	Steam distributor pipe	70010581		from machine no.: 573 883
21	Condensate drain pipe	70009227		up to machine no.: 573 882
21	Condensate drain pipe	70010580		from machine no.: 573 883
22	Plug; G 3/4" X 16,5; SW27	70010004	2	
23	O-ring; 18 X 2,5 (18,2 X 2,6)	27 07 077		
24	Steam distributor pipe	70009283		
25	Condensate drain pipe	70009285		
26	Ascending condensation pipe	70009999		
27	Ascending steam pipe	70009992		
29	Insulation; D35 X 19 X 1000	41 01 017		
30	Insulation; D18 X 19 X 1000	41 01 015		
31	Insulation; D28 X 19 X 1000	41 01 016		
o.P.	Adhesive; 0,5 LITER DOSE	34 03 030		
33	Thermostatic steam trap; 1/2"; 90 GRAD	29 03 014	2	from machine no.: 573 883
34	Screwed nipple R 1/2"; D24 X 30; SW19	70010563		from machine no.: 573 883
35	Coupling nut	70010558		from machine no.: 573 883
36	Thermostatic steam trap; 1/2"	29 03 012		from machine no.: 573 883

Spare parts list

MTR / MTF Blowing-out zone

Contents

Base frame	Page 1 - 2
Water drain	Page 3 - 4
Blower	Page 5 - 6
Door	Page 7 - 8
Panelling	Page 9 - 10
Back panel	Page 11 - 12

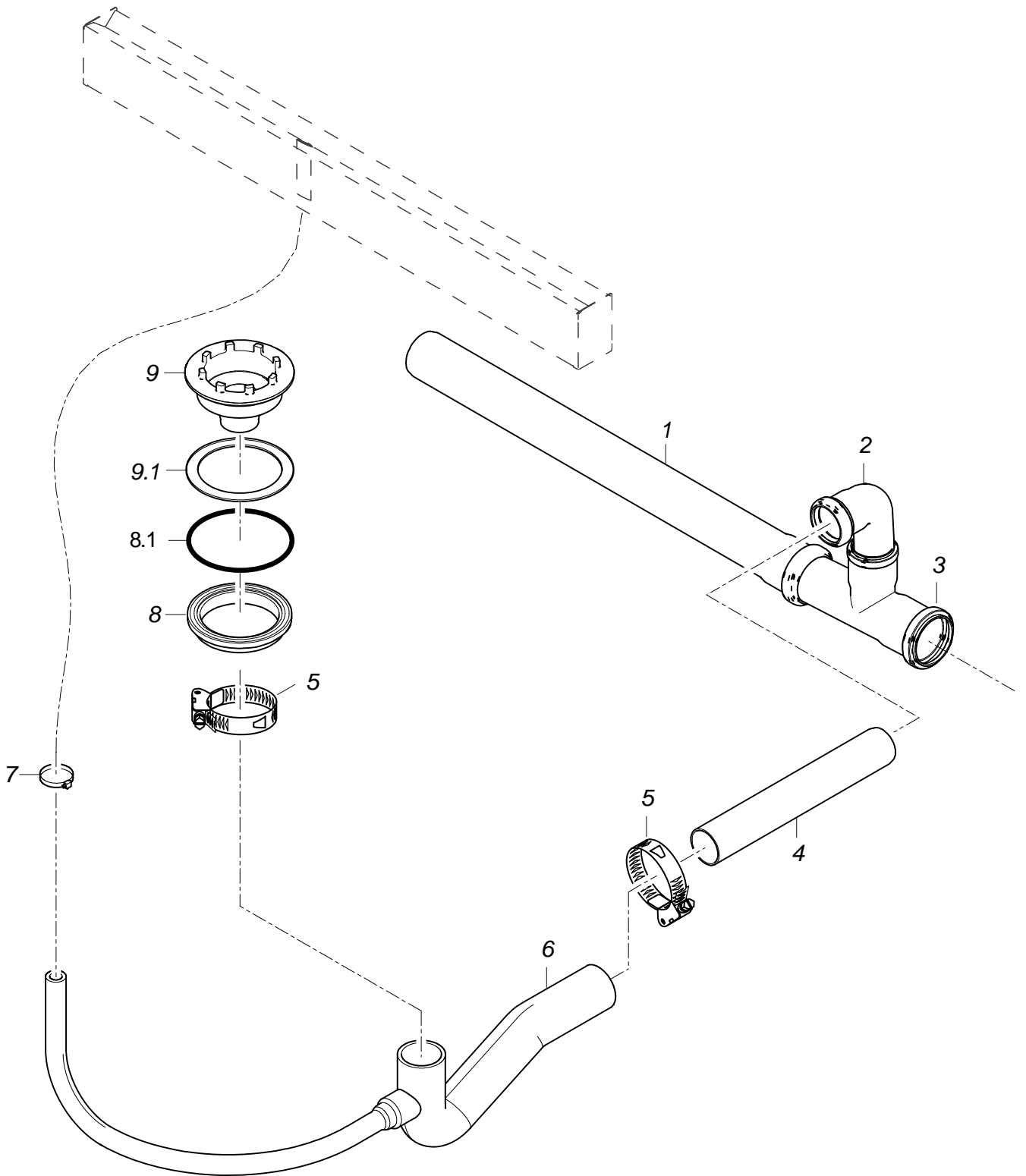


70009076-00

MTR / MTF Blowing-out zone

Base frame

Item.	Designation	Parts no.	Pc.	Notes
2	Hexagonal nut; M6	21 05 304		
3	Hexagonal nut; M8	21 05 306		
4	Hexagon screw; M8 X 16; A70	20 01 302		
5	Splash plate; 1,25 X 63,7 X 344	70008365		
6	Ratchet nut; M6	21 01 311	2	
7	Hexagon screw; M6 X 12; A70	20 01 321	2	
8	Adjustable foot with threaded insert	61008117	4	
10	Edge protection profile; U9,5 X 2,0	40 04 015		600 mm; "By-the-metre" goods
11	Cap; D25,5	35 03 031	2	

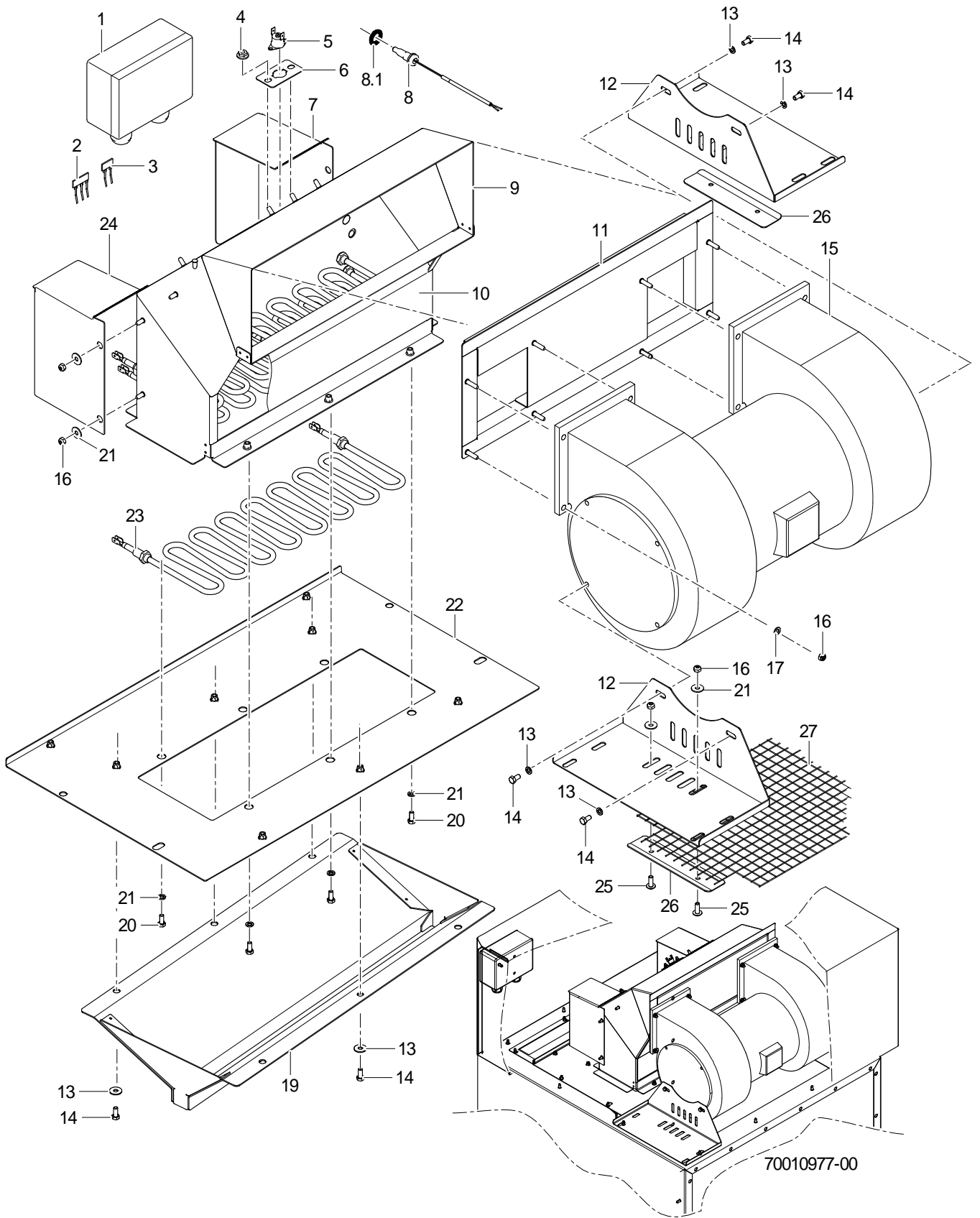


70010976-00

MTR / MTF Blowing-out zone

Water drain

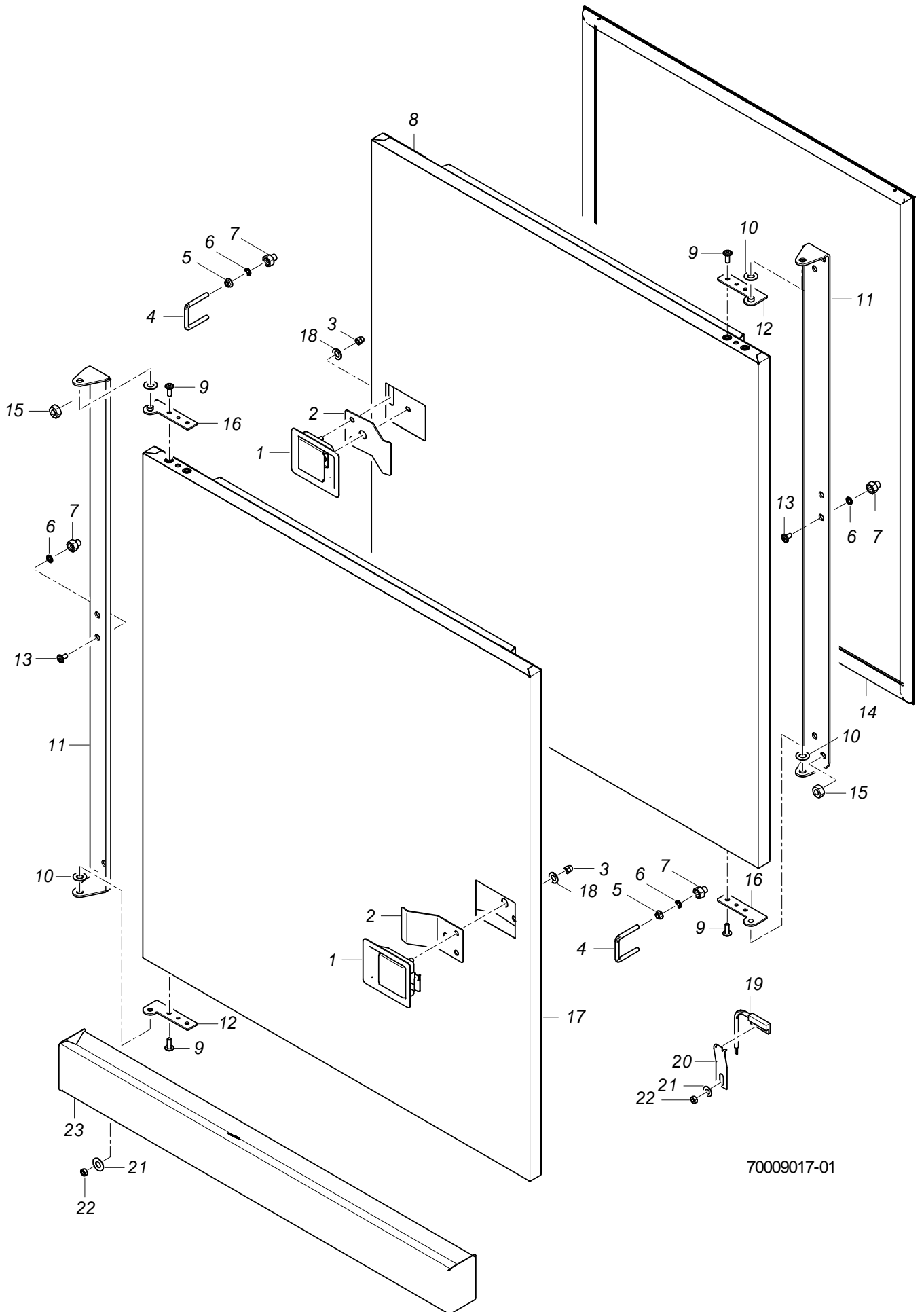
Item.	Designation	Parts no.	Pc.	Notes
1	HT pipe; DN50 X 750	30 15 546		
2	HT bend; DN40; 87GRAD	30 15 505		
3	HT branch pipe; DN50 X DN40; 87GRAD	30 15 509		
4	HT pipe; DN40 X 250	30 15 503		
5	Hose clamp; D50-70 x 12	30001243	2	
6	Hose bend	70010405		
7	Hose clamp; D12-22 X 9	30000711		
8	Lock nut; S85 X 4; D104	61005268		
8.1	O-ring; 91 X 3,5	27 07 075		
9	Sump drain set	61006178		
9.1	Gasket; D80 X D102 X 2,0	27 01 007		



MTR / MTF Blowing-out zone

Blower

Item.	Designation	Parts no.	Pc.	Notes
1	15-pos. terminal block box; 130 X 94 X 57; IP 66	31 18 097		
2	Insertion bridge; 3-POL.;VOLLISO.;EB 3-6	31 09 214		
3	Insertion bridge; 2-POL.;VOLLISO.;EB 2-6	31 09 263		
4	Ratchet nut; M5	21 01 310		
5	KIT SAFETY THERMOSTAT DRYING ZONE	70010799		
6	Holder; 1,0 X 30 X 55	70008390		
7	Guard plate 2 (TZ-G); 1,25 X 199,6 X 246,08	70009489		
8	Thermosensor set	71002590		
8.1	O-ring; 10 X 1	27 07 054		
9	Connecting sleeve	70008106		
10	Cover (T-Z connecting sleeve); 1,25 X 162,81 X 374	70005247		
11	Frame	70010121		
12	Bracket; 1,25 X 209,85 X 269,7	70010220	2	
13	Spring washer; B5	23 03 302		
14	Hexagon screw; M5 X 12; A70	30012713		
15	Double low pressure ventilator; 190-265/330-460V;50/60	31 17 036		
16	Hexagonal nut self securing; M5	21 05 302		
17	Washer; D5,3 X D10 X 1,0	22 01 300		
19	Blow-off nozzle	70010128		
20	Hexagon screw; M5 X 16; A70	20 01 309	6	
21	Washer; D5,3 X D15 X 1,2	22 05 301	6	
22	Adapter	70010520		
23	2.0 kW corrugated heating element; 400V/1	31 03 236	3	400V/3
23	2.0 kW corrugated heating element; 415V/1	31 03 237	3	420V/3
23	2.0 kW corrugated heating element; 230V/1	31 03 137	3	3x230V
23	2.0 kW corrugated heating element; 200V/1	31 03 136	3	200V/3
23	2.0 kW corrugated heating element; 440V/1	31 03 238	3	440V/3
24	Guard plate 1 (TZ-G); 1,25 X 199,6 X 246,08	70009488		
25	Raised head screw with flange; M5 X 12 MIT FLANSCH	20 10 006	4	
26	Clamping plate; 1,25 X 33,09 X 140	70011408	2	
27	Wire grate; 2,0 X 211 X 477	70011188		retrofittable

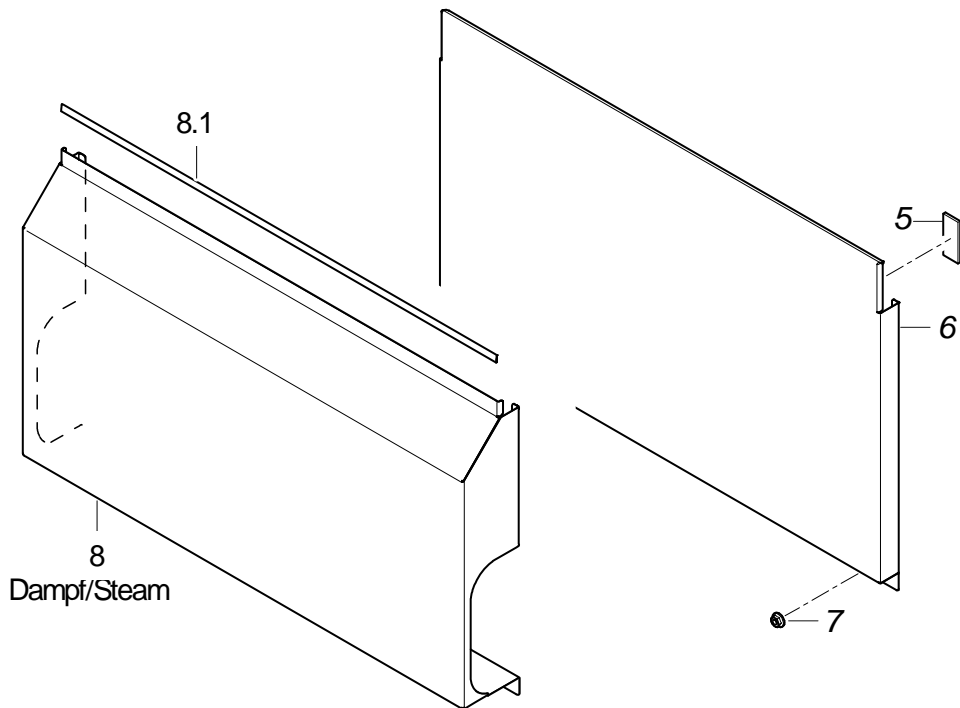
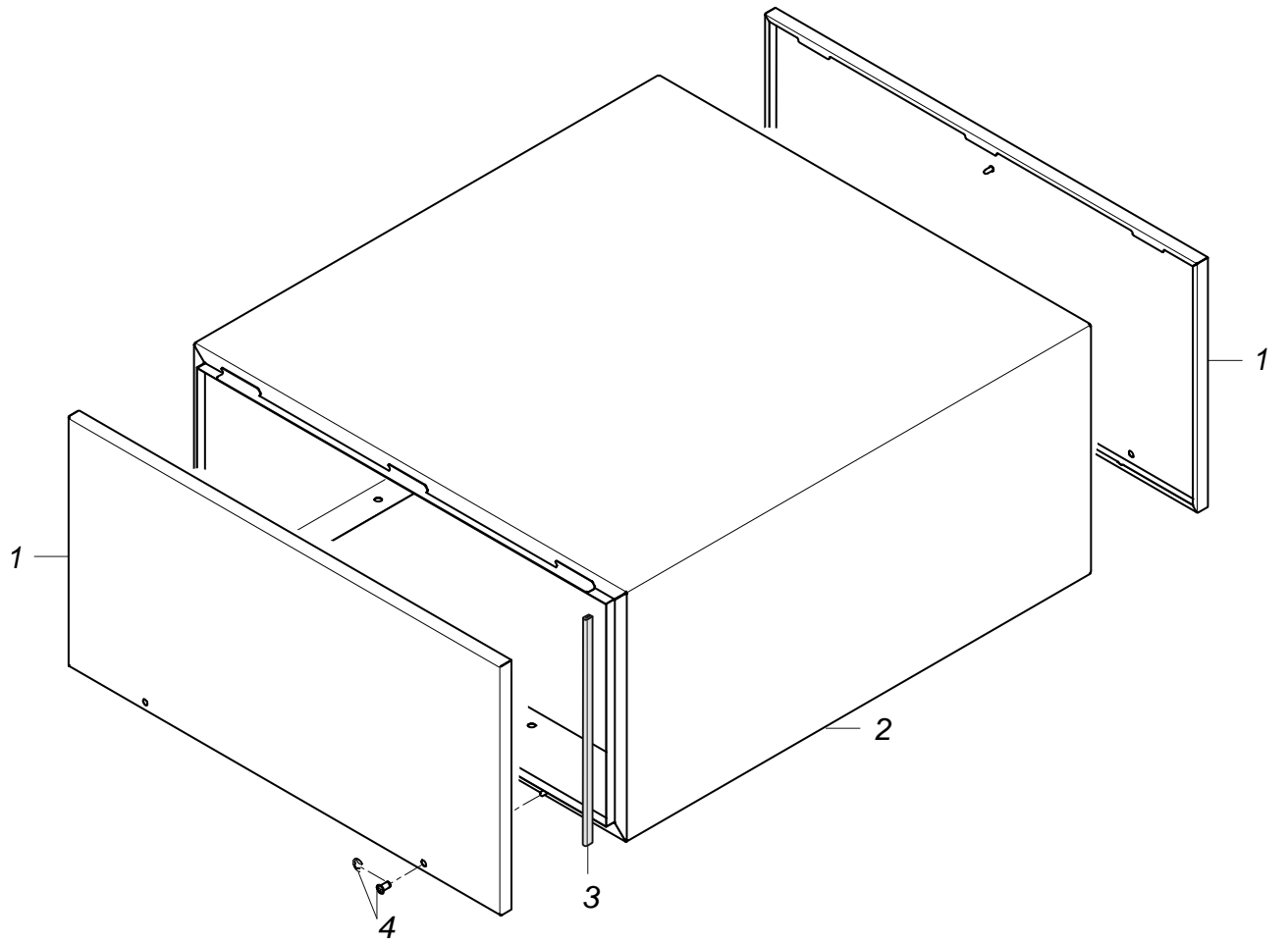


70009017-01

MTR / MTF Blowing-out zone

Door

Item.	Designation	Parts no.	Pc.	Notes
1	Snap closure	70008012		
2	Bracket; 1,5 X 50 X 96,33	70008430		
3	Cap nut; M5	21 10 303	2	
4	Bracket; D5 X 106,5	70006802		
5	Ratchet nut; M5	21 01 310	2	
6	O-ring; 6 X 2	27 07 012	4	
7	Nut; M5; D12,6 X D8 X 15	70008010	2	
8	Kit replacement door MT	70010729		left - right
9	Raised head screw with internal hexagon; M5 X 14 MIT FLANSCH	20 10 314	4	
10	Washer; D8,5 X D17 X 1,0	22 08 515	2	
11	Hinge; 2,5 X 42,9 X 872,57	70006294		
12	KIT DOOR HINGE	70010730		
13	Raised head screw with flange; M5 X 12 MIT FLANSCH	20 10 006	2	
14	Door seal; 12,5 X 590,5 X 786,5	70008689		
15	Hexagonal nut; M6	21 05 304	4	
16	KIT DOOR HINGE	70010730		
17	Kit replacement door MT	70010729		right - left
18	Washer; D5,3 X D10 X 1,0	22 01 300	2	
19	Solenoid switch; 32 X 14,9 X 6,9;1350MM	31 24 272		
20	Holder; 0,8 X 19 X 65	70007658		
21	Washer; D5,3 X D15 X 1,2	22 05 301		
22	Hexagonal nut self securing; M5	21 05 302		
23	Water channel	70006289		

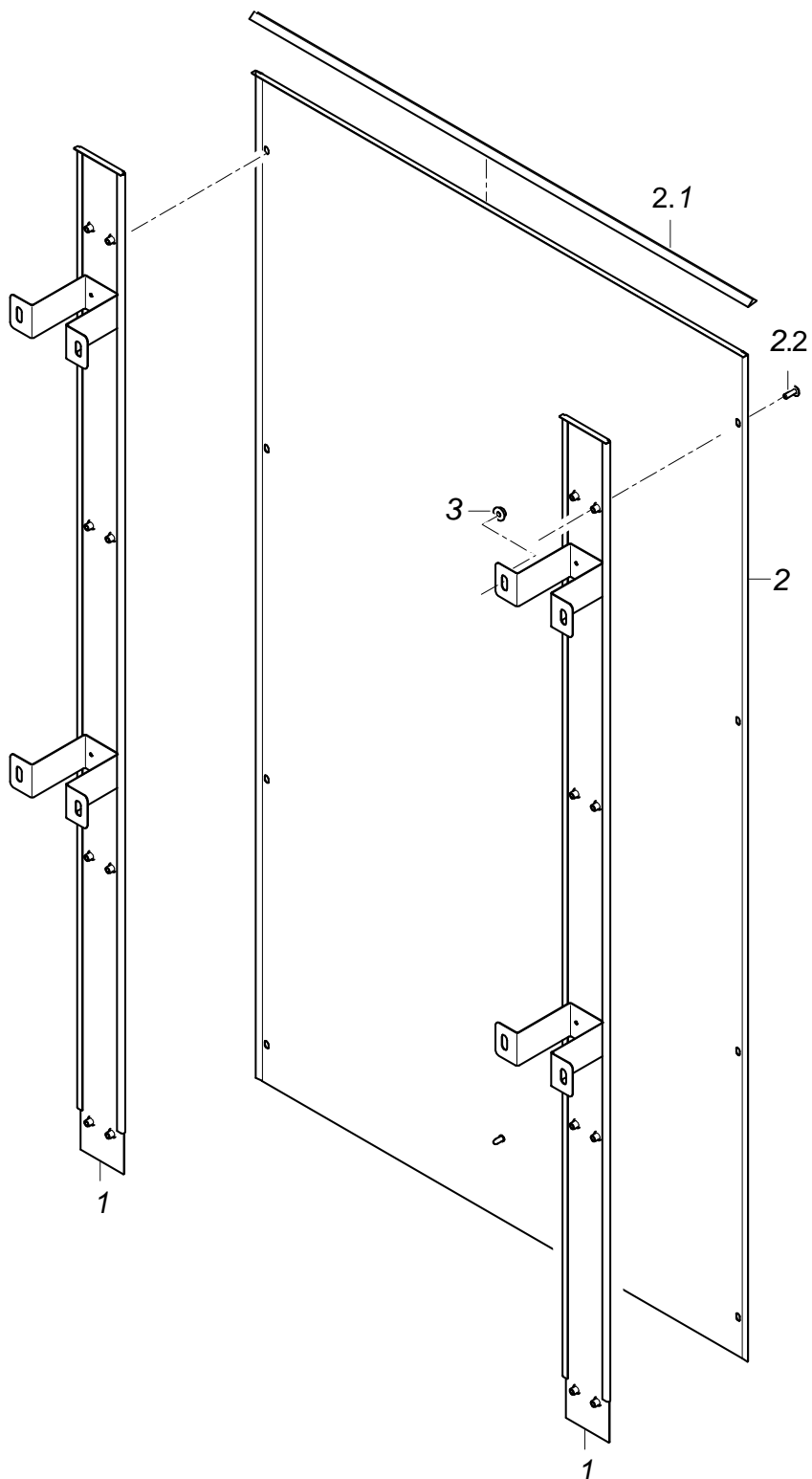
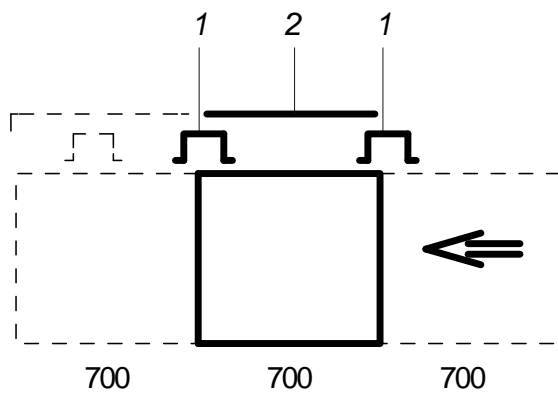
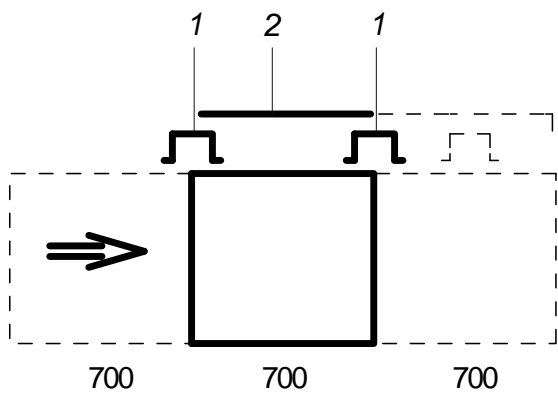


70010978-00

MTR / MTF Blowing-out zone

Panelling

Item.	Designation	Parts no.	Pc.	Notes
1	Cover	70008509		
2	Housing cpl.	70009336		
3	Sealing profile; 1,0 - 2,0MM	40 04 006		2000 mm; "By-the-metre" goods
4	Truss-head screw with retaining ring; M5 X 15	70005097	2	
5	Sealing tape; 9 X 2 X 10000	30001091		1 roll = 10 m
6	Covering (base frame)	70008251		
7	Ratchet nut; M5	21 01 310	2	
8	Covering	70009494		steam heated
8.1	Rubber profile; 9 BREIT;1,5 X 25000	48 03 028		1 roll = 25 m



70010979-00

MTR / MTF Blowing-out zone

Back panel

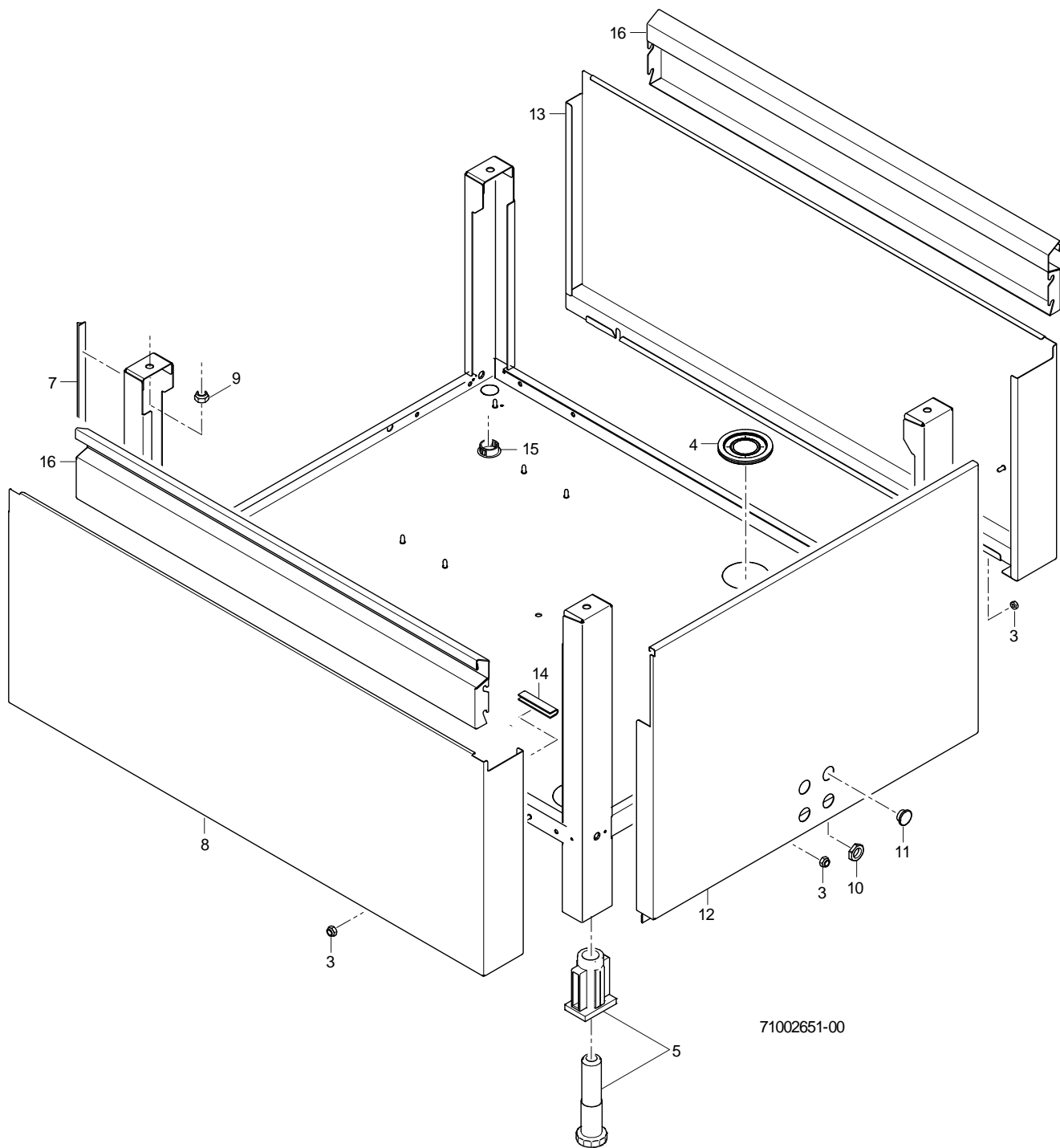
Item.	Designation	Parts no.	Pc.	Notes
1	Back wall rail	70008132	2	
2	Back panel 700	70009173		
2.1	Rubber profile; 9 BREIT;1,5 X 25000	48 03 028		1 roll = 25 m
2.2	Raised head screw with flange; M5 X 12 MIT FLANSCH	20 10 006	8	
3	Ratchet nut; M5	21 01 310	4	

Spare parts list

MTF Unloading zone

Contents

Base frame, covering	Page 1 - 2
Water drain	Page 3 - 4
Stop, rake	Page 5 - 6
Drive	Page 7 - 8
Gearwheel pairing, geared motor	Page 9 - 10

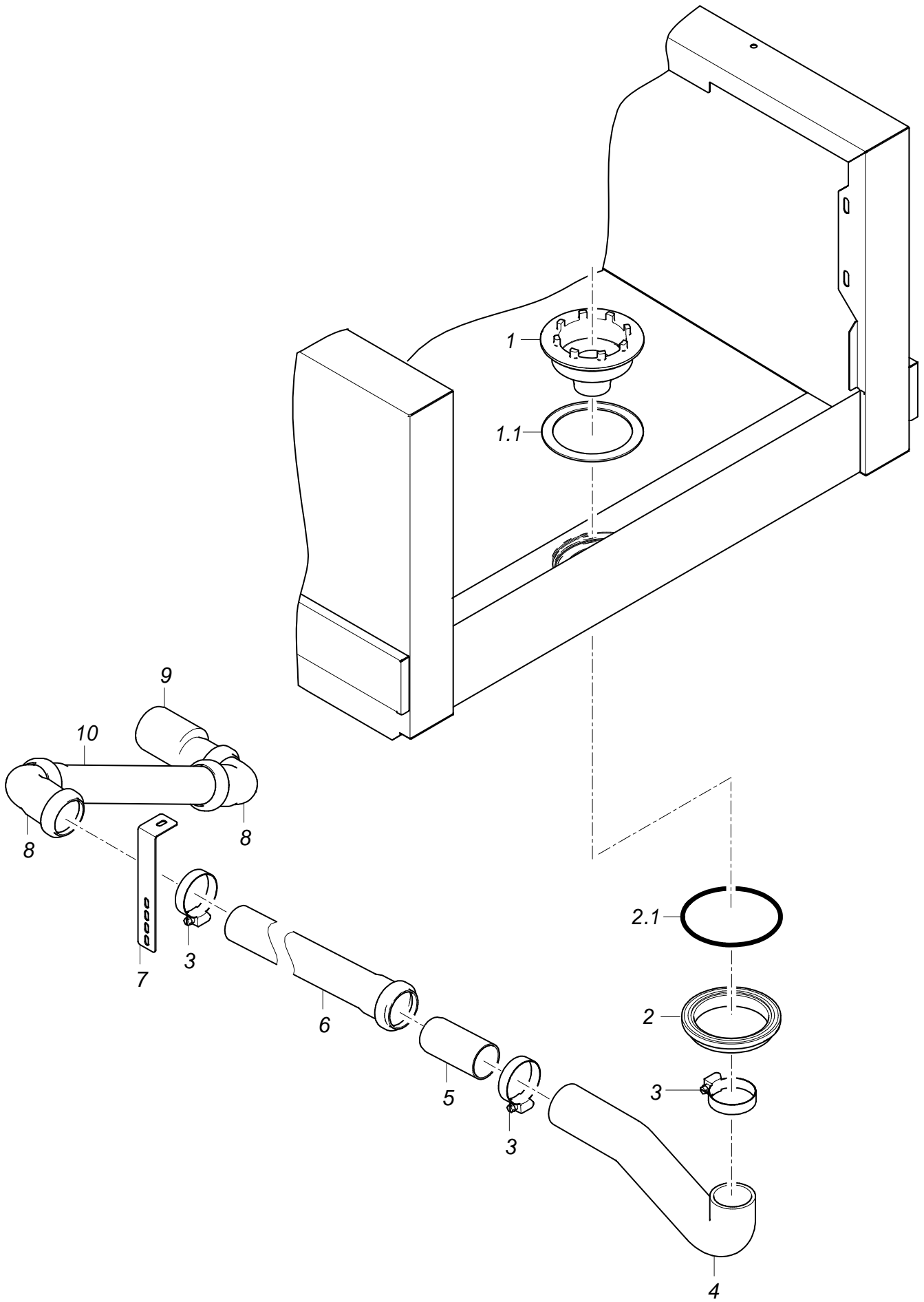


71002651-00

MTF Unloading zone

Base frame, covering

Item.	Designation	Parts no.	Pc.	Notes
3	Ratchet nut; M5	21 01 310		
4	Membrane spout; 6,0 X D57 X D73; D40	61004889	2	
5	Adjustable foot with threaded insert	61008117	4	
7	Rubber profile; 6,0 X 12 X 570	60003847		
8	Covering 900 lg	71002297		Unloading zone 900 mm; up to 07/2007
8	Covering 900 lg	71002852		Unloading zone 900 mm; from 08/2007
8	Covering 1200 lg	71002517		Unloading zone 1200 mm; up to 07/2007
8	Covering 1200 lg	71002721		Unloading zone 1200 mm; from 08/2007
8	Covering 1500 lg	71002421		Unloading zone 1500 mm; up to 07/2007
8	Covering 1500 lg	71002781		Unloading zone 1500 mm; from 08/2007
8	Covering 1800 lg	71002511		Unloading zone 1800 mm; up to 07/2007
8	Covering 1800 lg	71002795		Unloading zone 1800 mm; from 08/2007
9	Hexagonal nut; M8	21 05 306	4	
10	Hex nut; M16 X 1,5 X 5,0; SW22	31 10 161		
11	Locking screw with O-ring; M16 X 1,5 / IP68	31 10 191		
12	Covering on the front side	71002290		
13	Covering 900 lg	71002294		Unloading zone 900 mm; up to 07/2007
13	Covering 900 lg	71002854		Unloading zone 900 mm; from 08/2007
13	Covering 1200 lg	71002514		Unloading zone 1200 mm; up to 07/2007
13	Covering 1200 lg	71002755		Unloading zone 1200 mm; from 08/2007
13	Covering 1500 lg	71002418		Unloading zone 1500 mm; up to 07/2007
13	Covering 1500 lg	71002783		Unloading zone 1500 mm; from 08/2007
13	Covering 1800 lg	71002508		Unloading zone 1800 mm; up to 07/2007
13	Covering 1800 lg	71002797		Unloading zone 1800 mm; from 08/2007
14	Edge protection profile; U9,5 X 2,0	40 04 015		1000 mm; "By-the-metre" goods
15	Cap; D25,5	35 03 031	2	
16	Cover; 1,25 X 184,29 X 336,3	71002719	2	Unloading zone 900 mm; from 08/2007
16	Cover; 1,25 X 184,29 X 636,3	71002753	2	Unloading zone 1200 mm; from 08/2007
16	Cover; 1,25 X 184,29 X 936,3	71002777	2	Unloading zone 1500 mm; from 08/2007
16	Cover; 1,25 X 184,29 X 1236,2	71002789	2	Unloading zone 1800 mm; from 08/2007

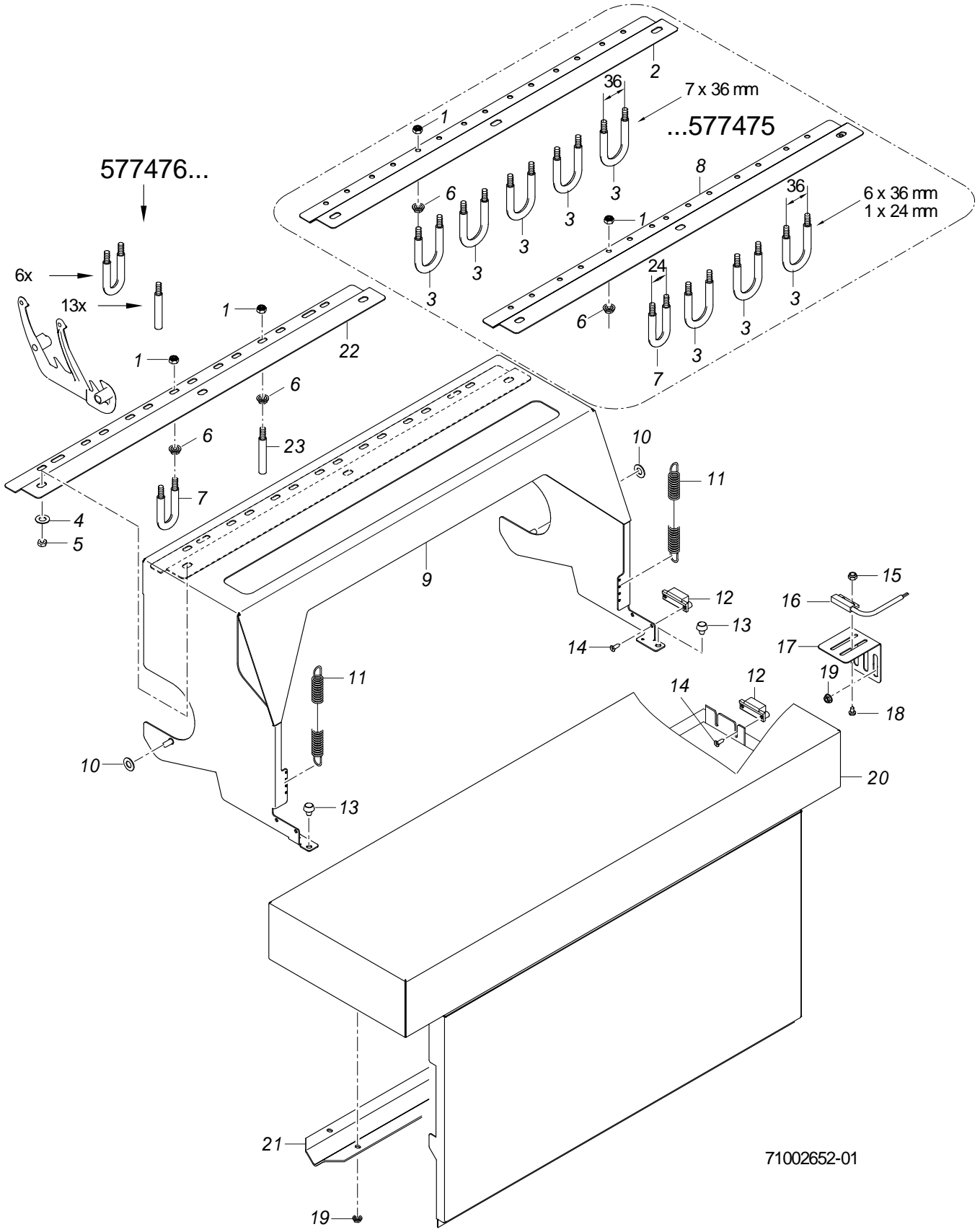


71002655-00

MTF Unloading zone

Water drain

Item.	Designation	Parts no.	Pc.	Notes
1	Sump drain set	61006178		
1.1	Gasket; D80 X D102 X 2,0	27 01 007		
2	Lock nut; S85 X 4; D104	61005268		
2.1	O-ring; 91 X 3,5	27 07 075		
3	Hose clamp; D32-52 X 12	28 02 110		
4	Hose bender; DN40 X 4,0	61005182		
5	HT pipe; DN40 X 250	30 15 503		adapt
6	HT pipe; DN40 X 1500	30 15 498		adapt
7	Holder; 1,5 X 25 X 181,8	71002633		
8	HT bend; DN40; 87GRAD	30 15 505	2	
9	HT pipe; DN40 X 500	30 15 502		adapt
10	HT reducer; DN50 X DN40	30 15 521		



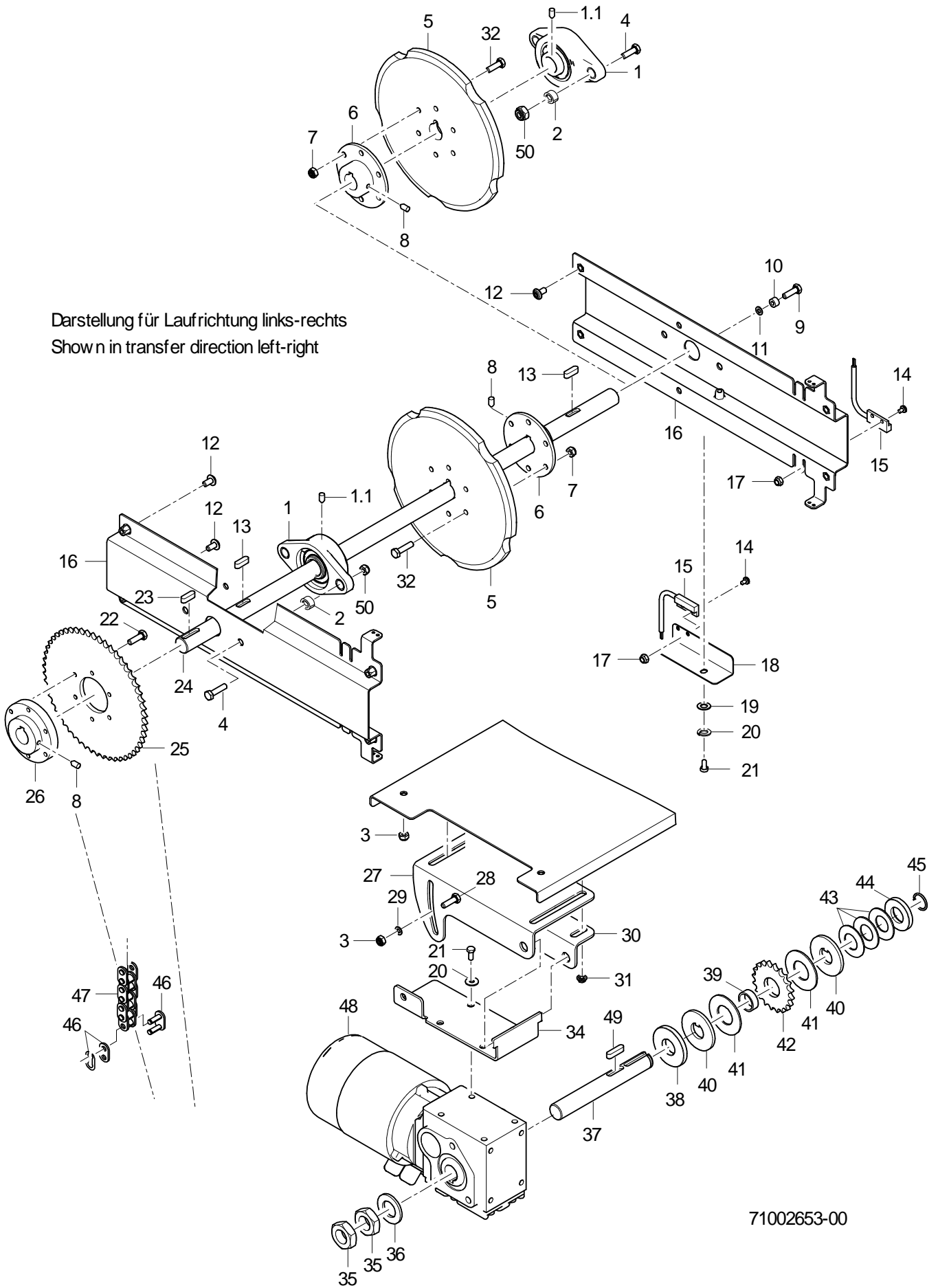
71002652-01

MTF Unloading zone

Stop, rake

Item.	Designation	Parts no.	Pc.	Notes
1	Hexagonal nut; M6	21 05 304	14	
2	Rake; 1,25 X 63,6 X 592	71002262		up to machine no.: 577 475; Conveyor belt 90 (division 90)
3	Bracket	71002972	7	
4	Washer; D5,3 X D15 X 1,2	22 05 301	3	
5	Hexagonal nut self securing; M5	21 05 302	3	
6	Ratchet nut; M6	21 01 311	14	
7	Bracket	71002973	7	
8	Rake; 1,25 X 63,6 X 596	71002251		up to machine no.: 577 475; Conveyor belt 130 (division 65)
9	Welded stop	71002255		
10	Washer; D8,5 X D17 X 1,0	22 08 515	2	
11	Tension spring; L0=103	62002878	2	
12	Magnet holder; 12,9 X 15 X 40	61006243		
13	Buffer; D8 X 14	40 06 023	2	
14	Sheet metal screw; ST 3,9 X 9,5	20 20 307	2	
15	Hexagonal nut; M4	21 01 302	2	
16	Solenoid switch; 32 X 14,9 X 6,9;5000MM	31 24 273		
17	Fixing bracket; 1,25 X 50 X 117,3	71002258		
18	Raised head screw; M4 X 12; ANTRIEB TORX 20	30000931		
19	Ratchet nut; M5	21 01 310	6	
20	Cover sheet	71002273		
21	Cap profile; 2,0 X 74,9 X 730	71002257		
22	Elbow for rake; 1,25 X 63,63 X 596	71003078		from machine no.: 577 476
23	Pin for rake	71003082	14	from machine no.: 577 476

Darstellung für Laufrichtung links-rechts
 Show n in transfer direction left-right

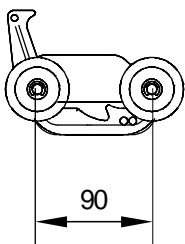
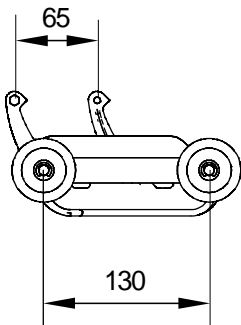
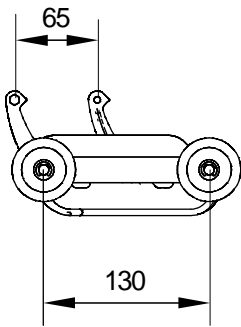
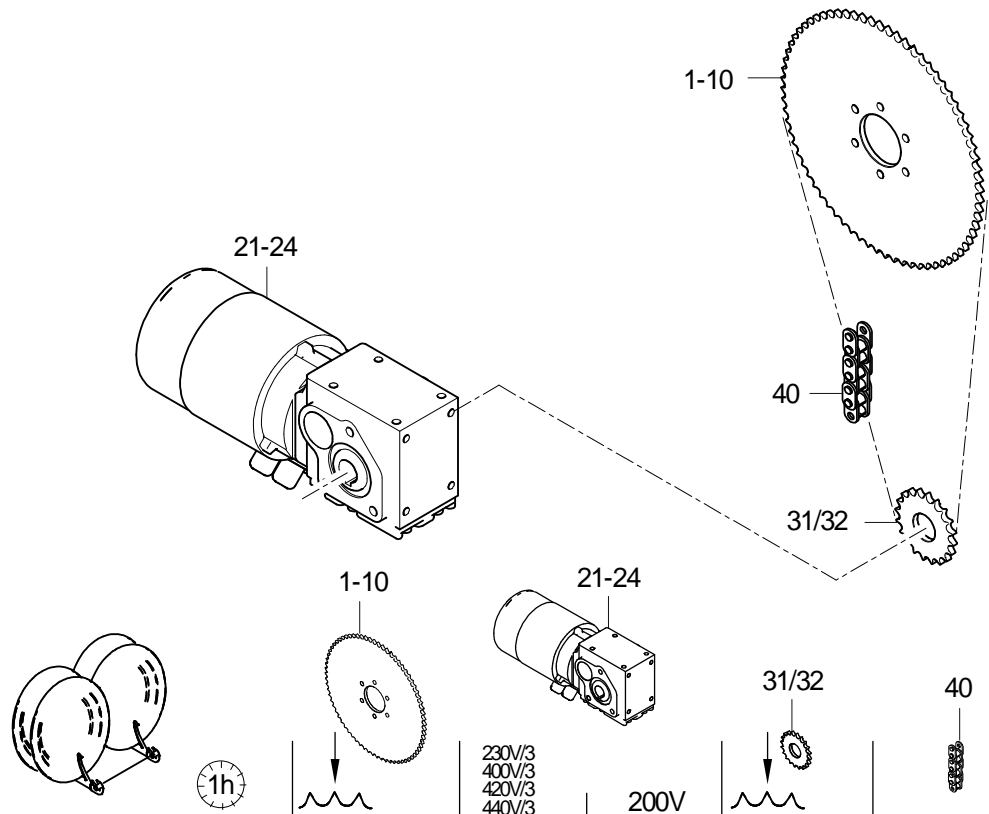


71002653-00

MTF Unloading zone

Drive

Item.	Designation	Parts no.	Pc.	Notes
1	Kit bearing with housing	70011769	2	
1.1	Grub screw; M6 X 8	20 30 304	2	
2	Pipe; D10 X 0,75 X 10	70200405	4	
3	Hexagonal nut; M8	21 05 306		
4	Hexagon screw; M8 X 25	20 01 010		
5	Drive wheel; D221,17 X 12; 5 ZÄHNE	71001638	2	Conveyor belt with finger spacing 65 mm; Drive wheel: 5 teeth
5	Drive wheel; D207,43 X 12; 7 ZÄHNE	71002061	2	Conveyor belt with finger spacing 90 mm; Drive wheel: 7 teeth
6	Drive hub; D20 X D80 X 21	71001639	2	
7	Hexagonal nut; M6	21 05 304	12	
8	Threaded pin; M6 X 12	20 30 507	3	
9	Hexagon screw; M5 X 16	20 01 372		
10	Magnetised toroidal core	71002589		
11	Washer; D5,3 X D10 X 1,0	22 07 204		
12	Lens head screw with internal hexagon; M6 X 12	20 10 002	8	
13	Parallel key; A6 X 6 X 20	26 10 300	2	
14	Raised head screw; M4 X 12; ANTRIEB TORX 20	30000931		
15	Solenoid switch; 32 X 14,9 X 6,9;5000MM	31 24 273		
16	Fixture	71001619	2	
17	Hexagonal nut; M4	21 01 302		
18	Holder; 1,25 X 52,35 X 98	71002223		
19	Washer; D6,4 X D18 X 1,6	22 05 302		
20	Spring washer; B6	23 03 300		
21	Hexagon screw; M6 X 16; A70	20 01 306		
22	Hexagon screw; M6 X 16; A70	20 01 306	6	
23	Parallel key; A6 X 6 X 25	70002435		
24	Drive shaft; D20 X 705	71001628		
25				See page 9+10
26	Flange; D75 X 27	71000717		
27	Angle; 3,0 X 191 X 195	71001711		
28	Hexagon screw; M8 X 20; A70	20 01 312		
29	Washer; D8,4 X D17 X 1,6	22 01 303		
30	Angle; 3,0 X 67,8 X 195	71001713		
31	Ratchet nut; M6	21 01 311	4	
32	Hexagon screw; M6 X 25; A70	20 01 310	12	
34	Drive console; 3,0 X 94,2 X 196,8	71001706		
35	Hex nut; M20 X 1,5	21 02 310	2	
36	Washer; A21	22 01 306		
37	Shaft; D20 X 150	70008631		
38	Pressure ring; D50 X 6	70008630		
39	Bushing; D23,9 X 8	70200369		
40	Brake disc; D20,2 X D50 X 4,0	70200367	2	
41	Brake lining; D50 X 2	70200368	2	
42				See page 9+10
43	Cup spring; D40 X 20,4 X 1,5	22 10 301	3	
44	Backup ring; D40 X 6	70008632		
45	Round wire circlip; D20	23 10 306		
46	Master link; 06 B-1	28 10 037		
47				See page 9+10
48				See page 9+10
49	Parallel key; 5,96 X 25	70010764		
50	Hexagonal nut; M8	30002585		



	1h	1-10	21-24	31/32	40	
			230V/3 400V/3 420V/3 440V/3	200V		
	1400/1800/2500	n=49	3116080	3116084	n=20	111,5 cm
	1800/2200/3000	n=42	3116080	3116084	n=20	108,0 cm
	2000/2600/3500	n=56	3116080	3116084	n=31	119,5 cm
	2200/2800/3900	n=50	3116080	3116084	n=31	117,5 cm
	2500/3200/4400	n=45	3116080	3116084	n=31	113,5 cm
	2800/3500/5000	n=40	3116080	3116084	n=31	111,5 cm
	3300/4100/5800	n=34	3116080	3116084	n=31	108,0 cm
	3600/4400/6200	n=32	3116080	3116084	n=31	108,0 cm
restricted to special asian markets	1900/2400/3400	n=49	3116088	3116089	n=20	111,5 cm
	2200/2800/3900	n=42	3116088	3116089	n=20	108,0 cm
	2600/3300/4600	n=56	3116088	3116089	n=31	119,5 cm
	3000/3700/5200	n=50	3116088	3116089	n=31	117,5 cm
	3300/4100/5800	n=45	3116088	3116089	n=31	113,5 cm
	3700/4600/6400	n=40	3116088	3116089	n=31	111,5 cm
	4300/5400/7600	n=34	3116088	3116089	n=31	108,0 cm
	4600/5700/8000	n=32	3116088	3116089	n=31	108,0 cm
	1100/1300/1800	n=45	3116080	3116084	n=20	110,0 cm
	1200/1600/2200	n=40	3116080	3116084	n=20	106,0 cm
	1400/1800/2500	n=52	3116080	3116084	n=31	108,0 cm
	1600/2000/2800	n=48	3116080	3116084	n=31	115,5 cm
	1800/2300/3200	n=42	3116080	3116084	n=31	111,5 cm
	2000/2500/3500	n=38	3116080	3116084	n=31	110,0 cm
	2400/3000/4100	n=32	3116080	3116084	n=31	108,0 cm
	2500/3200/4500	n=29	3116080	3116084	n=31	106,0 cm

71002654-00

MTF Unloading zone

Gearwheel pairing, geared motor

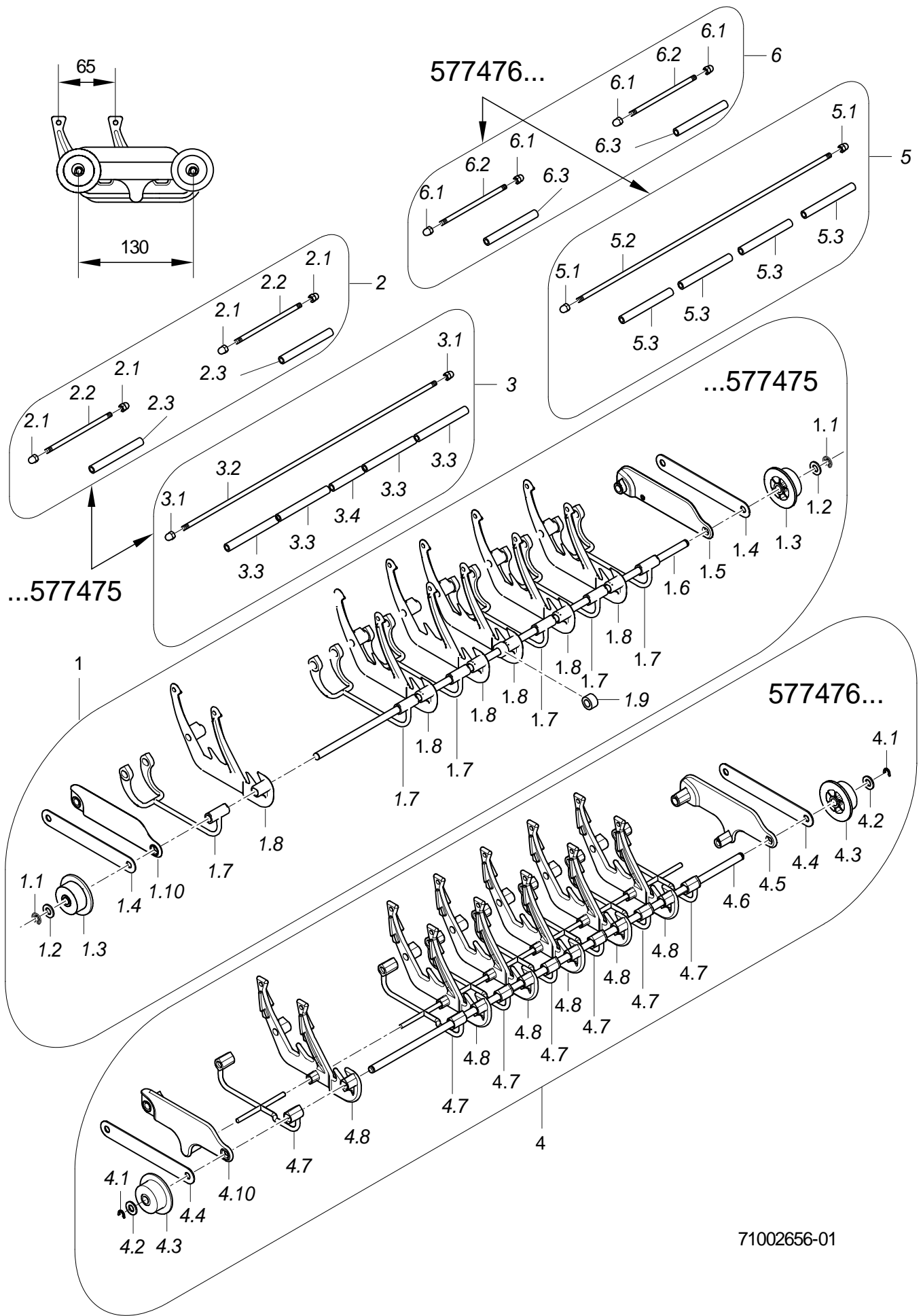
Item.	Designation	Parts no.	Pc.	Notes
1	Chain wheel disc, 56 teeth; 3/8" X 7/32" X 5,3	70007894		
1	Chain wheel disc, 52 teeth; 3/8" X 7/32" X 5,3	70007036		
1	Chain wheel disc, 50 teeth; 3/8" X 7/32" X 5,3	70007576		
1	Chain wheel disc, 49 teeth; 3/8" X 7/32" X 5,3	70007161		
1	Chain wheel disc, 48 teeth; 3/8" X 7/32" X 5,3	70007097		
1	Chain wheel disc, 45 teeth; 3/8" X 7/32" X 5,3	70007895		
1	Chain wheel disc, 42 teeth; 3/8" X 7/32" X 5,3	70007575		
1	Chain wheel disc, 40 teeth; 3/8" X 7/32" X 5,3	70007896		
1	Chain wheel disc, 38 teeth; 3/8" X 7/32" X 5,3	70007096		
1	Chain wheel disc, 34 teeth; 3/8" X 7/32" X 5,3	70007897		
1	Chain wheel disc, 32 teeth; 3/8" X 7/32" X 5,3	70007095		
1	Chain wheel disc, 29 teeth; 3/8" X 7/32" X 5,3	70007094		
2	0.12 kW geared motor; 220-240/380-420V; 50HZ	31 16 080		For purpose, see table
2	0.12 kW geared motor; 220-240/380-420V; 50HZ	31 16 088		For purpose, see table
2	0.12 kW geared motor; 200-208/346-360V; 50HZ	31 16 084		Japan; For purpose, see table
2	0.12 kW geared motor; 200-208/346-360V; 50HZ	31 16 089		Japan; For purpose, see table
3	Chain wheel 20 teeth; 3/8" X 7/32" X 5,3	70200370		
3	Chain wheel 31 teeth; 3/8" X 7/32" X 5,3	70008375		
4	Roller chain; 3/8" X 7/32"	28 10 038		"By-the-metre" goods; For length, see table

Spare parts list

MTF Conveyor belt

Contents

Conveyor belt 130 (division 65)	Page 1 - 2
Conveyor belt 90 (division 90)	Page 3 - 4
Flat conveyor belt MTF 90	Page 5 - 6
Conveyor belt (13 fingers) MTF 130	Page 7 - 8

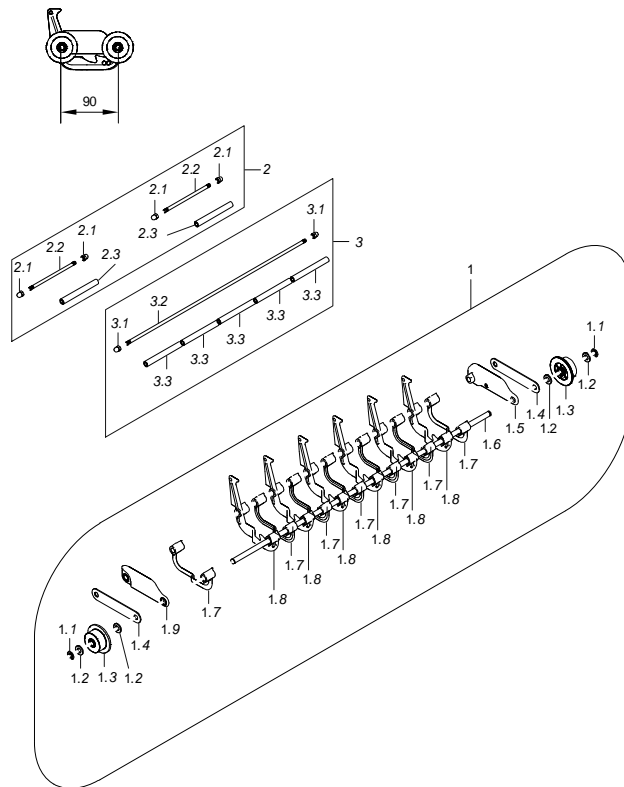


71002656-01

MTF Conveyor belt

Conveyor belt 130 (division 65)

Item.	Designation	Parts no.	Pc.	Notes
1	Conveyor belt MTF 130 (2 X 65)	71002334		up to machine no.: 577 475
1.1	Clipse; D6 X 1,0	71002952	2	
1.2	Washer; D8,4 X D17 X 1,6	22 01 303	2	
1.3	Castor; D50 X 21	35 01 065	2	
1.4	Chain lug; 1,5 X 20 X 150	71001967	2	
1.5	Outer lug, left; 150 LG	71001502		
1.6	Crossbar; D8 X 600	71001715		
1.7	Lug	35 01 085	6	
1.8	Inner finger	35 01 048	6	
1.9	Distance bushing; D8,5 X D16 X 10	71001569		
1.10	Outer lug, right; 150 LG	71001503		
2	Set of bars, short, conveyor belt 130	71002602		Option; up to machine no.: 577 475
2.1	Dome head nut; M5	21 10 308	4	
2.2	Crossbar; D5 X 103,5	71002102	2	
2.3	Protection tube, long; D9 X D5,5 X 79	71002100	2	
3	Set of bars, long, conveyor belt 130	71002603		Option; up to machine no.: 577 475
3.1	Dome head nut; M5	21 10 308	2	
3.2	Crossbar; D5 X 407	71002103		
3.3	Protection tube, long; D9 X D5,5 X 79	71002100	4	
3.4	Protection tube, short; D9 X D5,5 X 49	71002101		
4	Conveyor belt MTF 130 (2 X 65)	71003095		from machine no.: 577 476
4.1	Clipse; D6 X 1,0	71002952	2	
4.2	Washer; D8,4 X D17 X 1,6	22 01 303	2	
4.3	Castor; D50 X 21	35 01 065	2	
4.4	Chain lug; 1,5 X 20 X 150	71001967	2	
4.5	Outer lug, left; ACHSABSTAND 130	71003028		
4.6	Crossbar; D8 X 600	71001715		
4.7	Cross-shaped lug; ACHSABSTAND 130	71003026	7	
4.8	Double washing finger; ACHSABSTAND 130	71003025	6	
4.10	Outer lug, right; ACHSABSTAND 130	71003027		
5	Kit of bars, long, conveyor belt 130	71003097		Option; from machine no.: 577 476
5.1	Dome head nut; M5	21 10 308	2	
5.2	Crossbar, long; D5 X 398	71003073		
5.3	Protection tube; D9 X D5,5 X 70	71003074	4	
6	Kit of bars, short, conveyor belt 130	71003098		Option; from machine no.: 577 476
6.1	Dome head nut; M5	21 10 308	4	
6.2	Crossbar, short; D5 X 96	71003072	2	
6.3	Protection tube; D9 X D5,5 X 70	71003074	2	

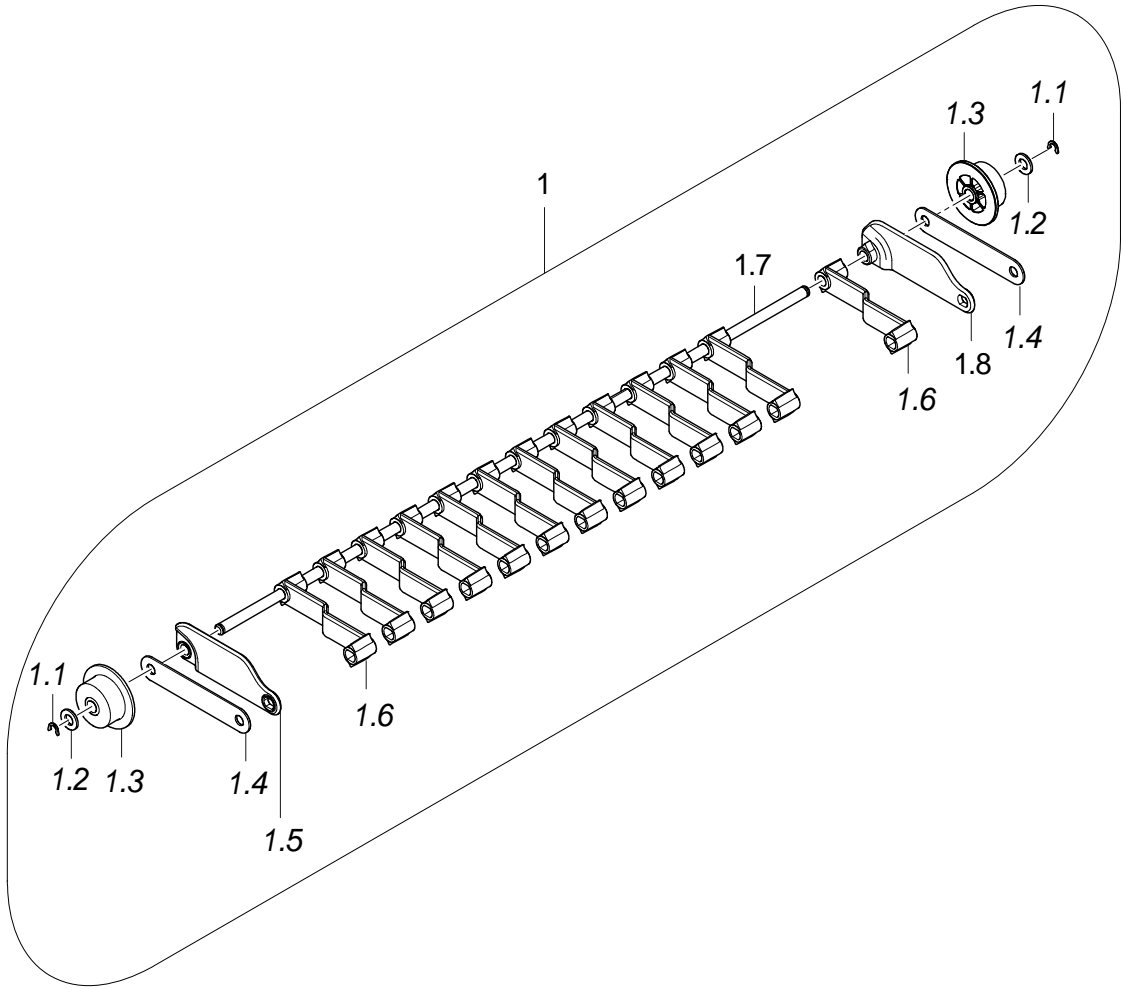
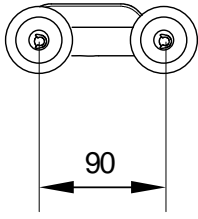


71002657-00

MTF Conveyor belt

Conveyor belt 90 (division 90)

Item.	Designation	Parts no.	Pc.	Notes
1	Conveyor belt MTF 90	71002335		1 series
1.1	Clipse; D6 X 1,0	71002952	2	
1.2	Washer; D8,4 X D17 X 1,6	22 01 303	4	
1.3	Castor; D50 X 21	35 01 065	2	
1.4	Chain lug; 1,5 X 20 X 110	71002112	2	
1.5	Outer lug, left; ACHSABSTAND 90MM	71002111		
1.6	Crossbar; D8 X 600	71001715		
1.7	Distance lug; ACHSABSTAND 90	71002200	7	
1.8	Washing finger; ACHSABSTAND 90	71002201	6	
1.9	Outer lug, right; ACHSABSTAND 90MM	71002110		
2	Set of bars, short, conveyor belt 90	71002600		Option
2.1	Dome head nut; M5	21 10 308	4	
2.2	Crossbar; D5 X 103,5	71002102	2	
2.3	Protection tube; D9 X D5,5 X 74,5	71002424	2	
3	Set of bars, long, conveyor belt 90	71002601		Option
3.1	Dome head nut; M5	21 10 308	2	
3.2	Crossbar; D5 X 417	71002425		
3.3	Protection tube; D9 X D5,5 X 74,5	71002424	5	

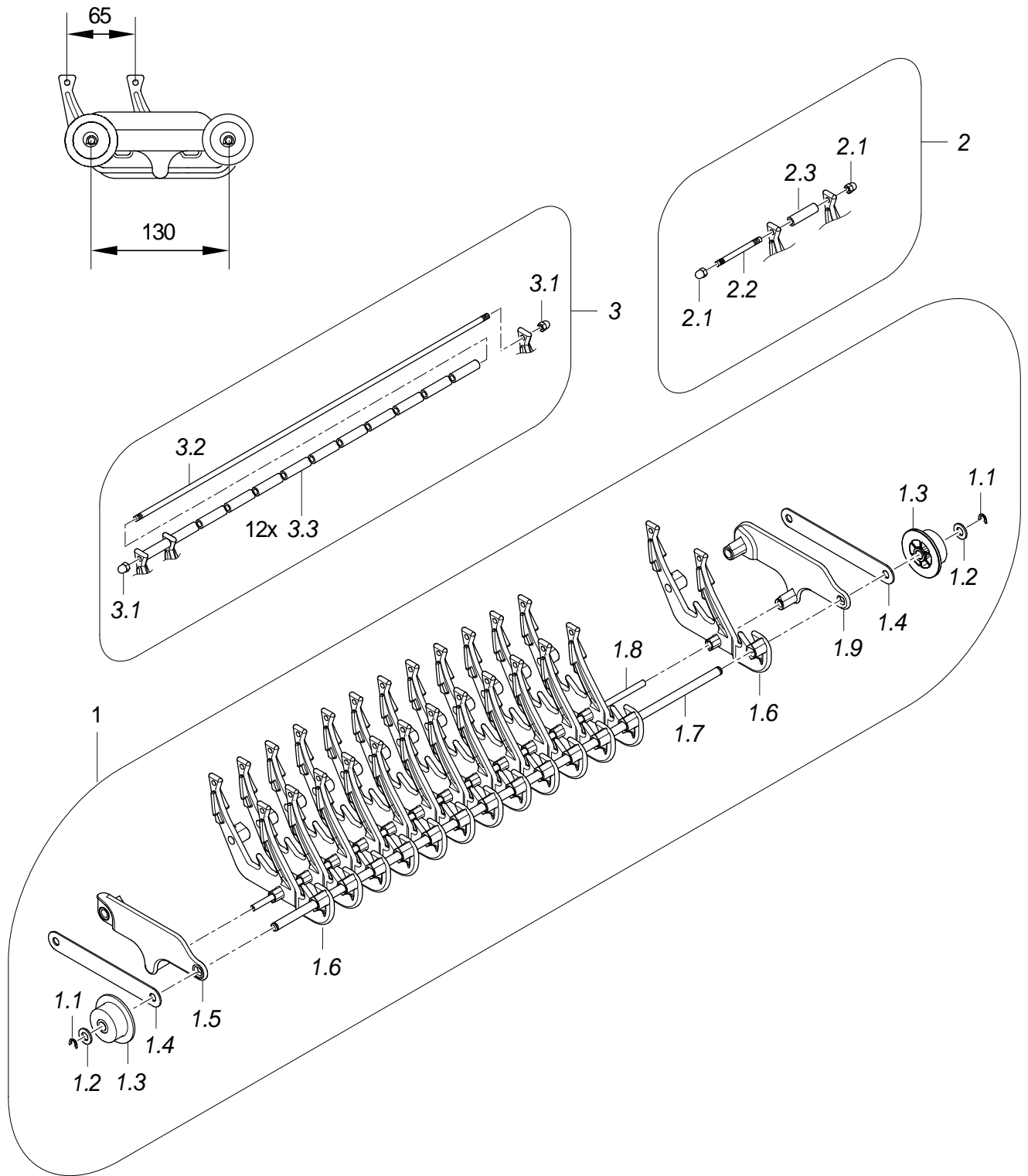


71003227-00

MTF Conveyor belt

Flat conveyor belt MTF 90

Item.	Designation	Parts no.	Pc.	Notes
1	Flat conveyor belt MTF 90	71003101		1 series
1.1	Clipse; D6 X 1,0	71002952	2	
1.2	Washer; D8,4 X D17 X 1,6	22 01 303	2	
1.3	Castor; D50 X 21	35 01 065	2	
1.4	Chain lug; 1,5 X 20 X 110	71002112	2	
1.5	Outer lug, right; ACHSABSTAND 90MM	71002110		
1.6	Distance lug; ACHSABSTAND 90	71002199	13	
1.7	Crossbar; D8 X 600	71001715		
1.8	Outer lug, left; ACHSABSTAND 90MM	71002111		



71003228-00

MTF Conveyor belt

Conveyor belt (13 fingers) MTF 130

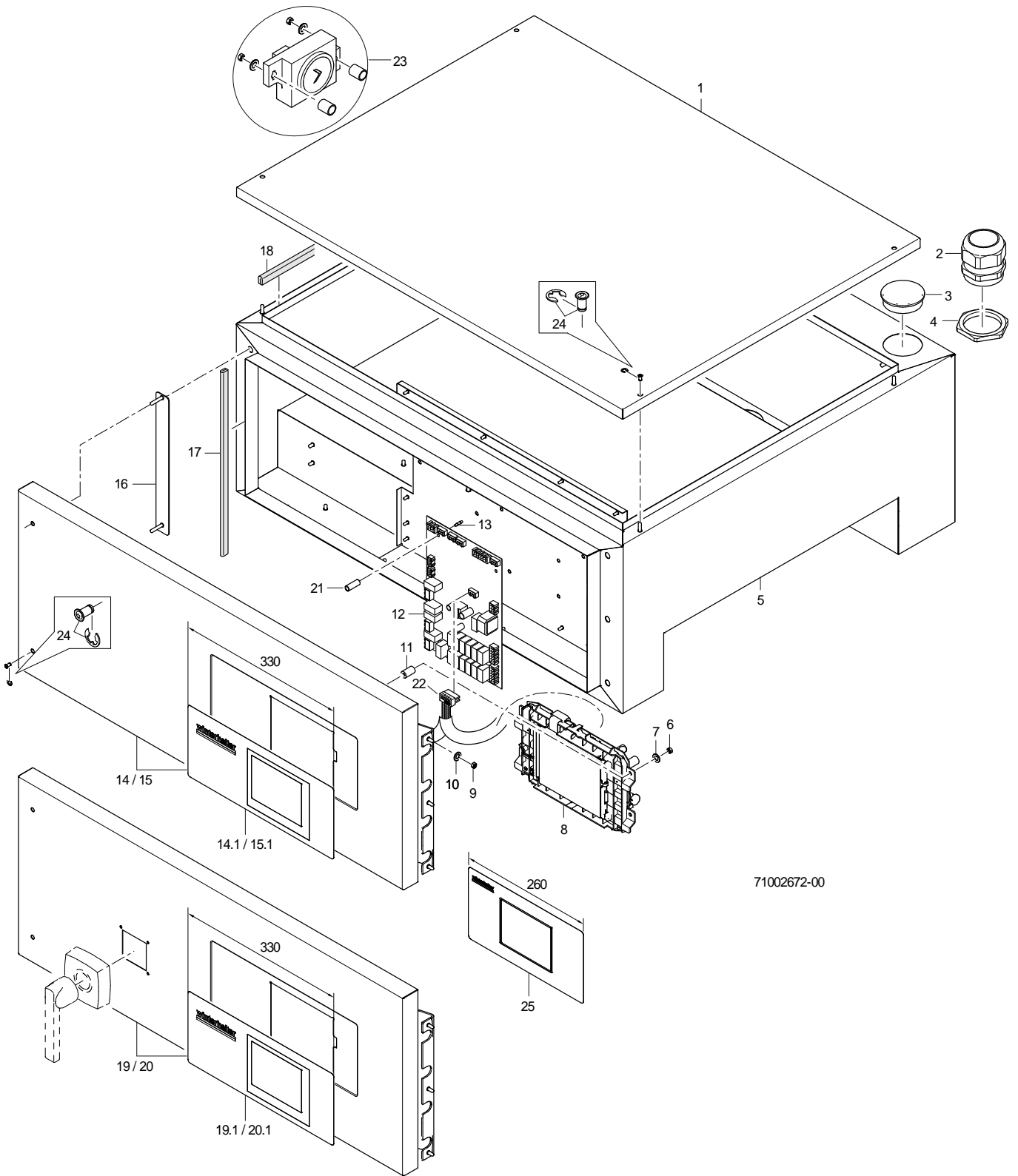
Item.	Designation	Parts no.	Pc.	Notes
1	Conveyor belt (13 fingers) MTF 130	71003096		1 series
1.1	Clipse; D6 X 1,0	71002952	2	
1.2	Washer; D8,4 X D17 X 1,6	22 01 303	2	
1.3	Castor; D50 X 21	35 01 065	2	
1.4	Chain lug; 1,5 X 20 X 150	71001967	2	
1.5	Outer lug, right; ACHSABSTAND 130	71003027		
1.6	Double washing finger; ACHSABSTAND 130	71003025	13	
1.7	Crossbar; D8 X 600	71001715		
1.8	Support rod; D5,7 X 525	71003029		
1.9	Outer lug, left; ACHSABSTAND 130	71003028		
2	Kit of bars, short, conveyor belt 130	71003100		
2.1	Dome head nut; M5	21 10 308	4	
2.2	Crossbar, short; D5 X 58	71003085	2	
2.3	Protection tube; D9 X D5,5 X 32,5	71003087	2	
3	Kit of bars, long, conveyor belt 130	71003099		
3.1	Dome head nut; M5	21 10 308	2	
3.2	Crossbar, long; D5 X 473,5	71003086		
3.3	Protection tube; D9 X D5,5 X 32,5	71003087	12	

Spare parts list

MTF Switch box

Contents

Housing	Page 1 - 2
Electric parts	Page 3 - 4
Options	Page 5 - 6

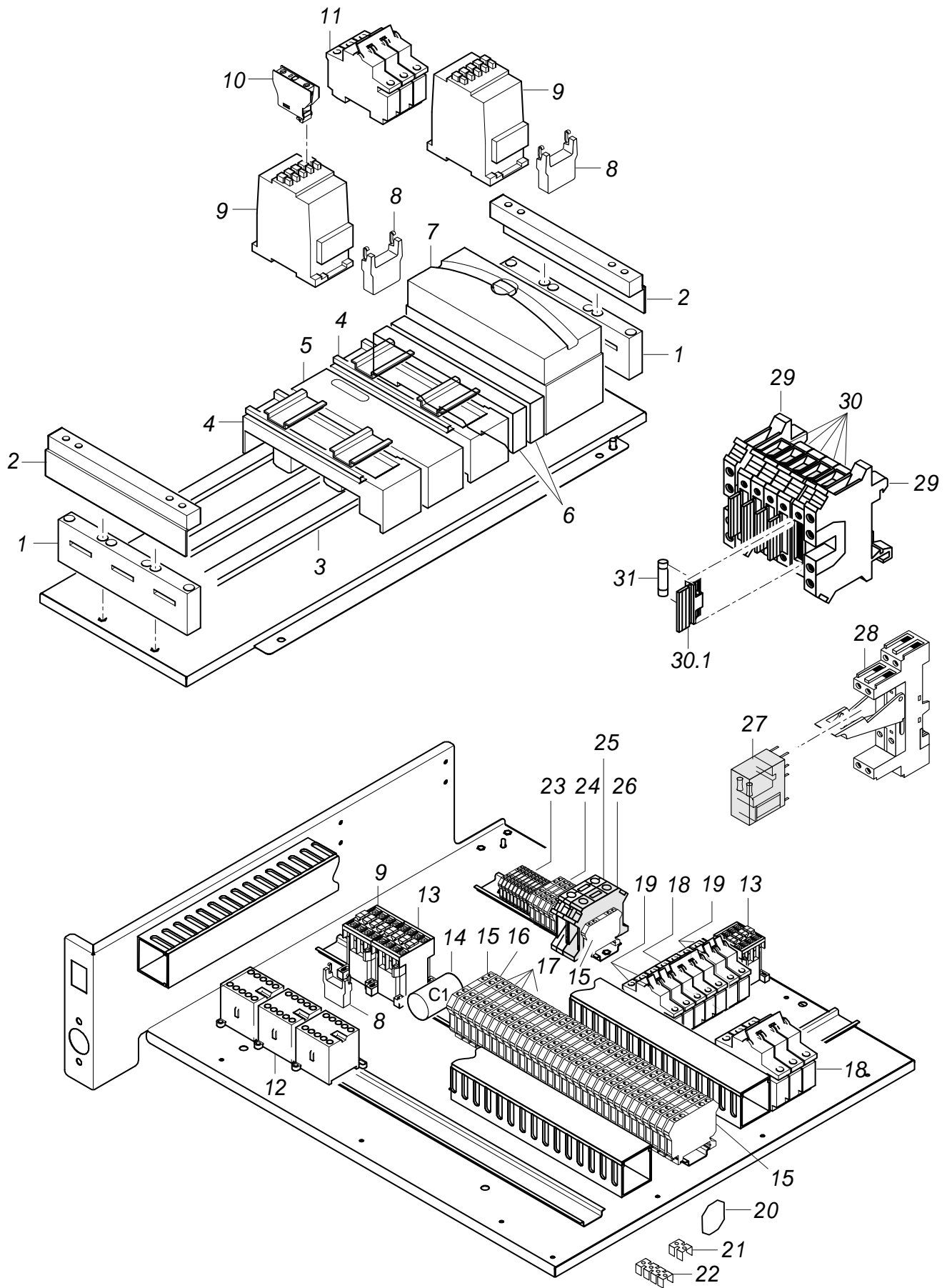


71002672-00

MTF Switch box

Housing

Item.	Designation	Parts no.	Pc.	Notes
1	Switchbox cover	70008075		
2	Cable gland; M63 X 1,5; 34 - 48 MM	31 10 157		
3	Locking screw with O-ring; M63 X 1,5 / IP68	31 10 197	3	
4	Hexagonal nut; M63 X 1,5 X 8,0; SW75	31 10 167	4	
5	Switchbox chassis, L-R	70007696		left - right
5	Switchbox chassis, R-L	70007697		right - left
6	Hexagonal nut self securing; M3	21 05 303	4	
7	Washer; A3,2	22 01 006	4	
8	LCD touch control panel	70010339		
9	Hexagonal nut self securing; M5	21 05 302	3	
10	Washer; D5,3 X D12 X 0,8	22 02 313	3	
11	Distance sleeve; D12 X D5,2 X 20	31 20 192	4	
12	WPS slave program control; 180-265V; 50/60HZ	31 05 155		
13	Spacer; 18,70MM LANG	31 13 115		
14	Kit Switchbox door L-R	30002041		left - right
14.1	Operating foil control L-R; 0,2 X 140 X 330	70011627		
15	Kit switchbox door, R-L	30002043		right - left
15.1	Operating foil control R-L; 0,2 X 140 X 330	70011628		
16	Cover sheet	70007720		
17	Sealing profile; 1,0 - 2,0MM	40 04 006		2100 mm; "By-the-metre" goods
18	Sealing profile; 1,0 - 2,0MM	40 04 006		3000mm; "By-the-metre" goods
19	Kit switchbox door L-R (main switch)	30002042		left - right
19.1	Operating foil control L-R; 0,2 X 140 X 330	70011627		
20	Kit Switchbox door R-L (main switch)	30002044		right - left
20.1	Operating foil control R-L; 0,2 X 140 X 330	70011628		
21	WPS dismantling tool	31 20 170		
22	Cable bus Master/Slave; 0,25QMM	70007782		
23	"Start" button set	71002673		
24	Truss-head screw with retaining ring; M5 X 15	70005097		
25	Display foil; 260 X 140 X 0,175 MM	31 24 256		up to machine no.: 1095258

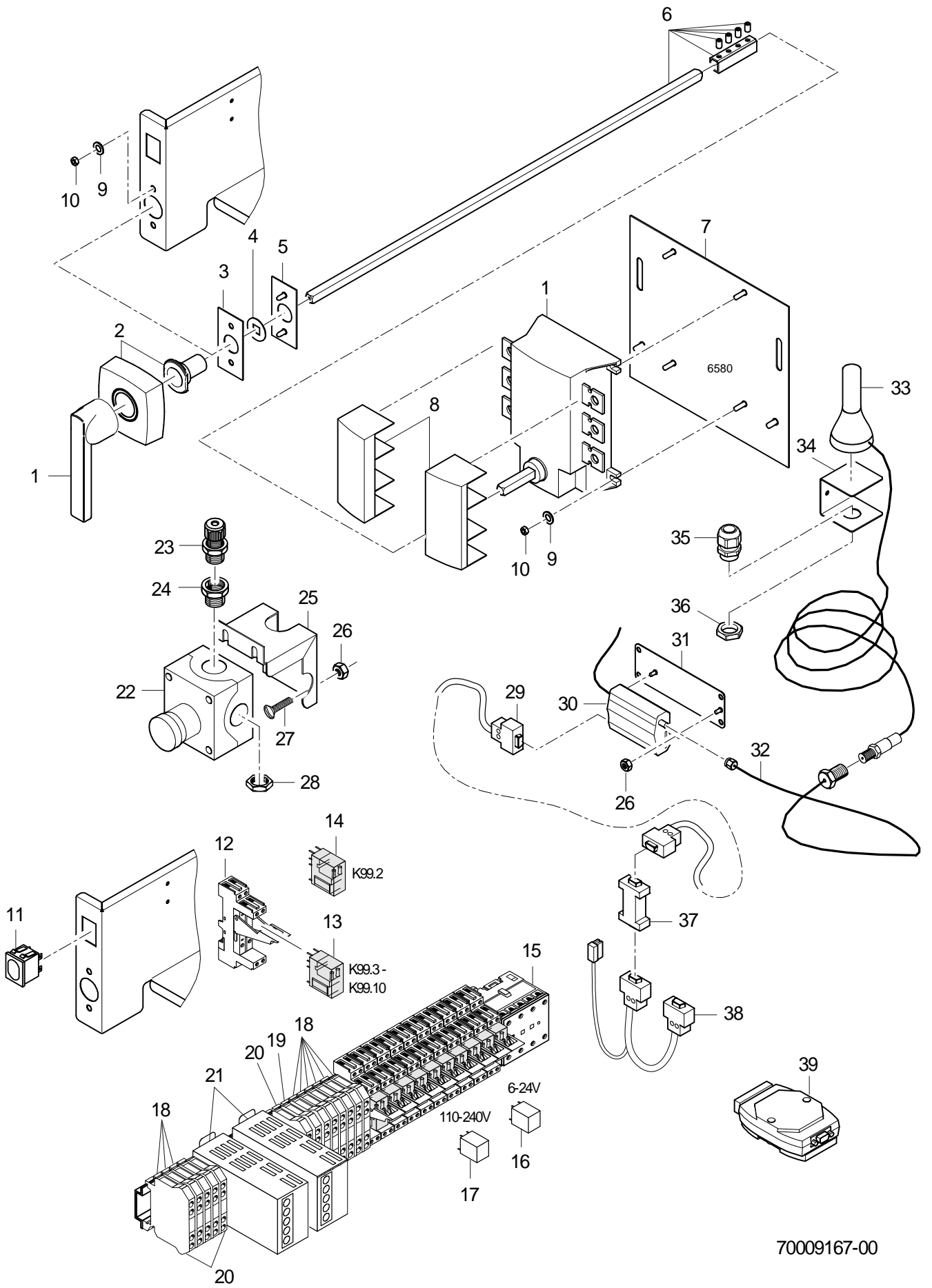


70009166-00

MTF Switch box

Electric parts

Item.	Designation	Parts no.	Pc.	Notes
1	Bus bar support, System60	31 11 301	2	
2	System60 end cover	31 11 302	2	
3	Bus bar; 670 LG	30002119		
4	Bus bar adaptor, Eques; 54 X 200; 32A; 2TS	31 11 320		
4	Bus bar adaptor, Eques; 54 X 200; 63A; 2TS	31 11 321		
5	System 60 cover cap; 54 X 200	31 11 304		
6	Connection rail support; 3-POL.;1,5-16QMM	31 11 322		
7	3-pos. connection terminal plate; BIS 120 QMM	31 11 303		
8	RC element; 250V	31 13 166		
9	Contactora AF16; 100-250V/50-60HZ AC/DC; 7,5KW	30000861		
9	Kit Contactora AF30; 100-250V/50-60HZ AC/DC; 15KW	30008327		230V/3/PE/50Hz + 60Hz
10	Auxiliary switch, 1 N/O contact	31 04 166		1 normally open contact
10	Auxiliary switch, 1 N/C contact	31 04 167		1 normally closed contact
11	Circuit breaker; 3-POLIG, 16A-K	31 11 316		3-pole
11	Circuit breaker; 3-POLIG; 20A-C	31 11 329		3-pole
11	Circuit breaker; 3-POLIG; 40A-C	31 11 330		at a voltage of 200 V and 230 V/3 (three-phase)
12	Contactora B7:3H 1 N/C contact; 220-255V/50-60HZ	31 04 154		
12	Contactora B7:3H 1 N/C contact; 200V/50-60HZ	31 04 171		Japan
13	Contactora AF16; 100-250V/50-60HZ AC/DC; 7,5KW	30000861		
14	Radio interference suppression capacitor; 0,27MF + 2 X 27000PF	31 13 078		
15	UDK 4-PE double terminal	31 09 153	2	
16	UDK 4 BU double terminal	31 09 152		
17	UDK 4 double terminal	31 09 151		
18	Circuit breaker; 3-POLIG, 16A-K	31 11 316		3-pole
19	Circuit breaker; 1-POLIG; 10A-B	31 11 110		1-pos.
20	Isolating disc; 14 X 16	31 09 169		
21	Fixed bridge; 2-POLIG;	31 09 126		
22	Fixed bridge; 4-POLIG; FB 4-6	31 09 146		
23	Double terminal, UK, 5-Twin-PE	31 09 165	10	
24	Double terminal, UK, 10-Twin-PE	31 09 224	5	
25	High-current terminal, green/yellow; 35-150QMM	31 09 247		
26	High-current terminal, blue; 35-150QMM	31 09 246		
27	Print relay 2 changer; 230V AC; 5A; RASTER 5,0	31 04 196		Option
28	Socket, snap fixture; RASTER 5,0	31 04 157		Option
29	Protective conductor terminal USKLG 5	31 09 064	2	
30	Universal fuse clip	31 09 063	5	
30.1	Securing plug	31 09 072		
31	Fine fuse, medium time lag; 250V; 4,0A; 5 X 20	31 11 123	5	



70009167-00

MTF Switch box

Options

Item.	Designation	Parts no.	Pc.	Notes
1	Capus load separation switch; 3-POL.;250A;GRIFF ROT	31 11 323		
2	Screen, yellow	31 11 324		
3	Metal sheet (HS); 1,25 X 38,5 X 80	70006574		
4	Washer (HS); D28 X 1,0	70006573		
5	Clamping plate (HS)	70007890		
6	Extension axis, LTS250; 630MM LANG	31 11 328		
7	Wöhner base plate	70006580		
8	Connection space cover	31 11 325		
9	Washer; D5,3 X D12 X 0,8	22 02 313	4	
10	Hexagonal nut self securing; M5	21 05 302	4	
11	Pressure switch; 250V; AC; 2S/2Ö; IP54	31 24 227		
12	Socket, snap fixture; RASTER 5,0	31 04 157	10	
13	Print relay 2 changer; 230V AC; 5A;RASTER 5,0	31 04 196	9	
14	Print relay 2 changeover switches; 24V DC;RASTER 5,0	31 04 197		
15	Contactora B7:3H 1 N/C contact; 220-255V/50-60HZ	31 04 154		
15	Contactora B7:3H 1 N/C contact; 200V/50-60HZ	31 04 171		Japan
16	RC element; 6-24V AC/DC	31 13 173		
17	RC element; 110-240V;0,1MF;3,3KOHM	31 13 124		
18	UDK 4 double terminal	31 09 151		
19	UDK 4 BU double terminal	31 09 152		
20	UDK 4-PE double terminal	31 09 153		
21	Add-on s. power supply unit - emergency operation	70009145		up to machine no.: 528 701
21	Power supply; 12V; 2,1A; 25W OUTPUT	31 13 208	2	from machine no.: 528 702
22	"Emergency stop" button	31 24 244		
23	PG9 cable gland; PG9; 4-8 MM; IP68	31 10 042		
24	Reducing ring; M20 X 1,5/M16 X 1,5	31 10 178		
25	Holder for Emergency Stop; 1,5 X 112 X 178	70005621		
26	Hexagonal nut self securing; M4	21 05 300		
27	Countersunk screw; M4 X 12	20 10 312		
28	Hexagonal nut; M20 X 1,5 X 5,0; SW27	31 10 162		
29	GSM data cable; 7 X 0,25QMM; 2000 LG	70008663		
30	GSM/GPRS modem; 32/4MB	31 13 190		
31	Holder	70011666		
32	Adapter cable for modem; 0,5M	31 13 192		
33	Dual-band antenna; GSM 900/1800 MHZ	31 13 193		
34	U-holder; 1,5 X 50 X 144,2	70009119		
35	Cable gland; M20 X 1,5; 6-13MM;IP68	31 10 152		
36	Hexagonal nut; M20 X 1,5 X 5,0; SW27	31 10 162		
37	Optocoupler; 62 X 33 X 17 MM	31 13 125		
38	Master data cable; 6 X 0,25QMM;	70008664		
39	Interface converter; RS232 AUF RS422/485	31 13 194		

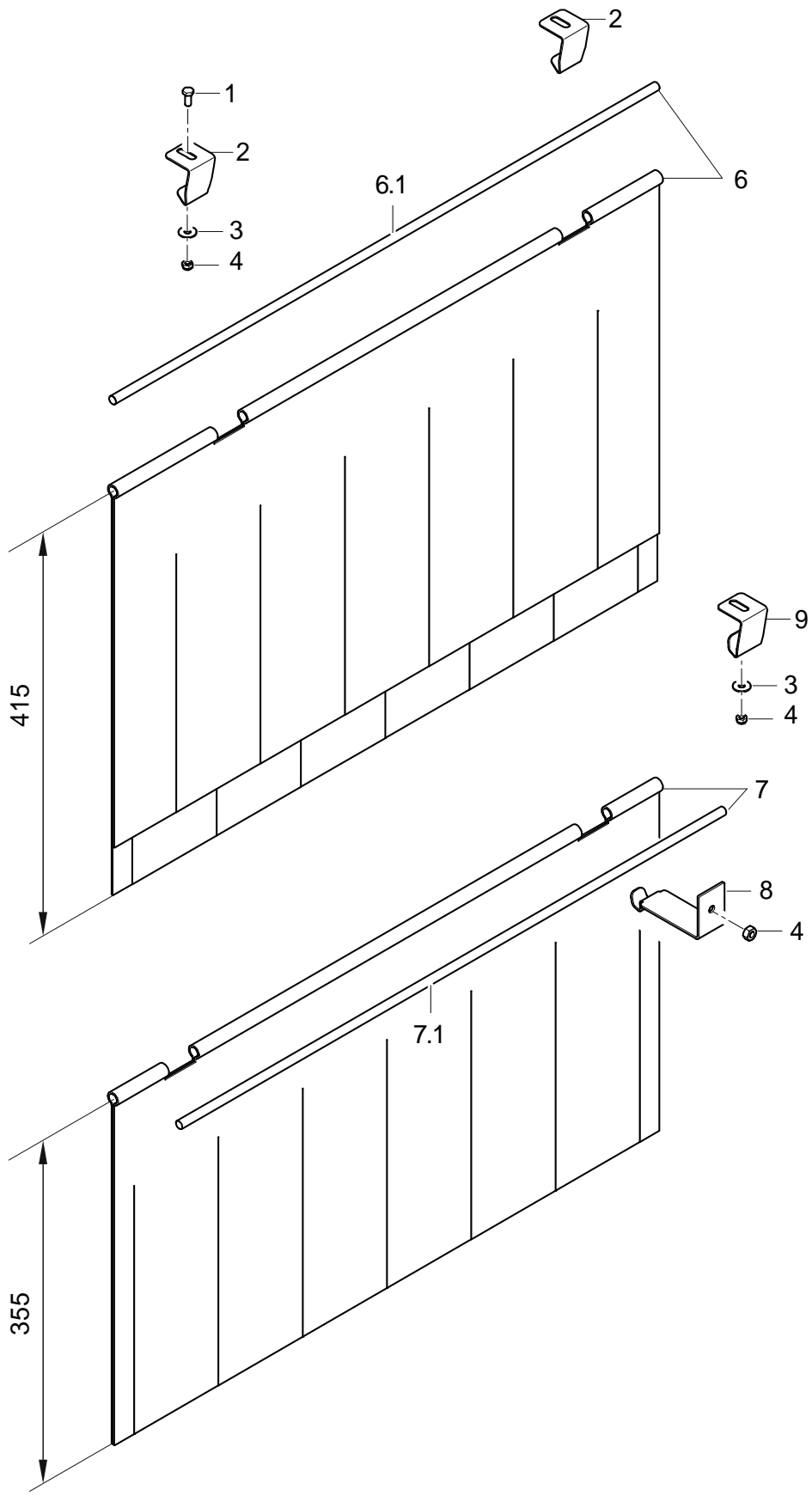
Spare parts list

MTF Curtains

Contents

Curtains

Page 1 - 2



71002649-00

MTF Curtains

Curtains

Item.	Designation	Parts no.	Pc.	Notes
1	Hexagon screw; M5 X 12; A70	30012713		
2	Curtain holder; 1,5 X 30 X 84,28	70009989	2	
3	Washer; D5,3 X D12 X 0,8	22 02 313		
4	Ratchet nut; M5	21 01 310		
6	Curtain; 415 X 646 (0.63 INCH)	71002010		installed in the loading zone
6.1	Curtain rail; D8 X 646	70007241		
7	Curtain; 355 X 646 (0.63 INCH)	70008044		installed in the remaining zones
7.1	Curtain rail; D8 X 646	70007241		
8	Curtain holder; 2,0 X 30 X 143,23	70007925	2	
9	Holder; 1,5 X 30 X 89,13	70007237	2	installed in the rinse zone

