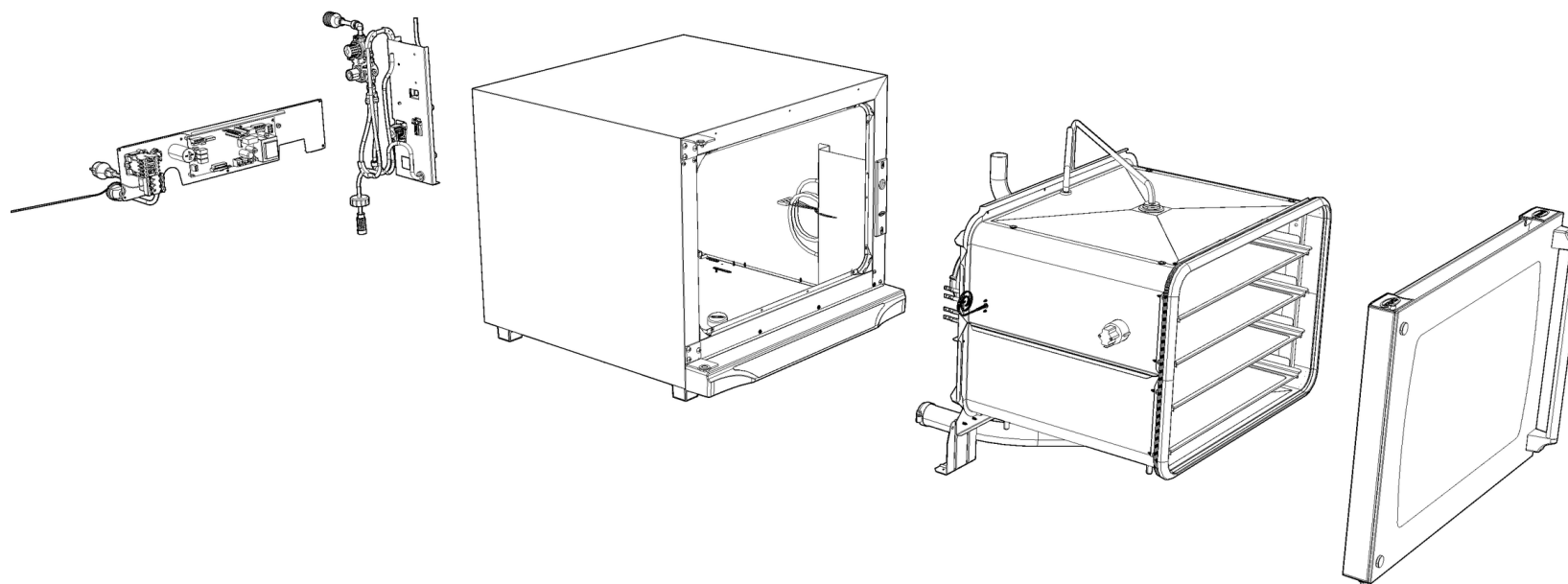
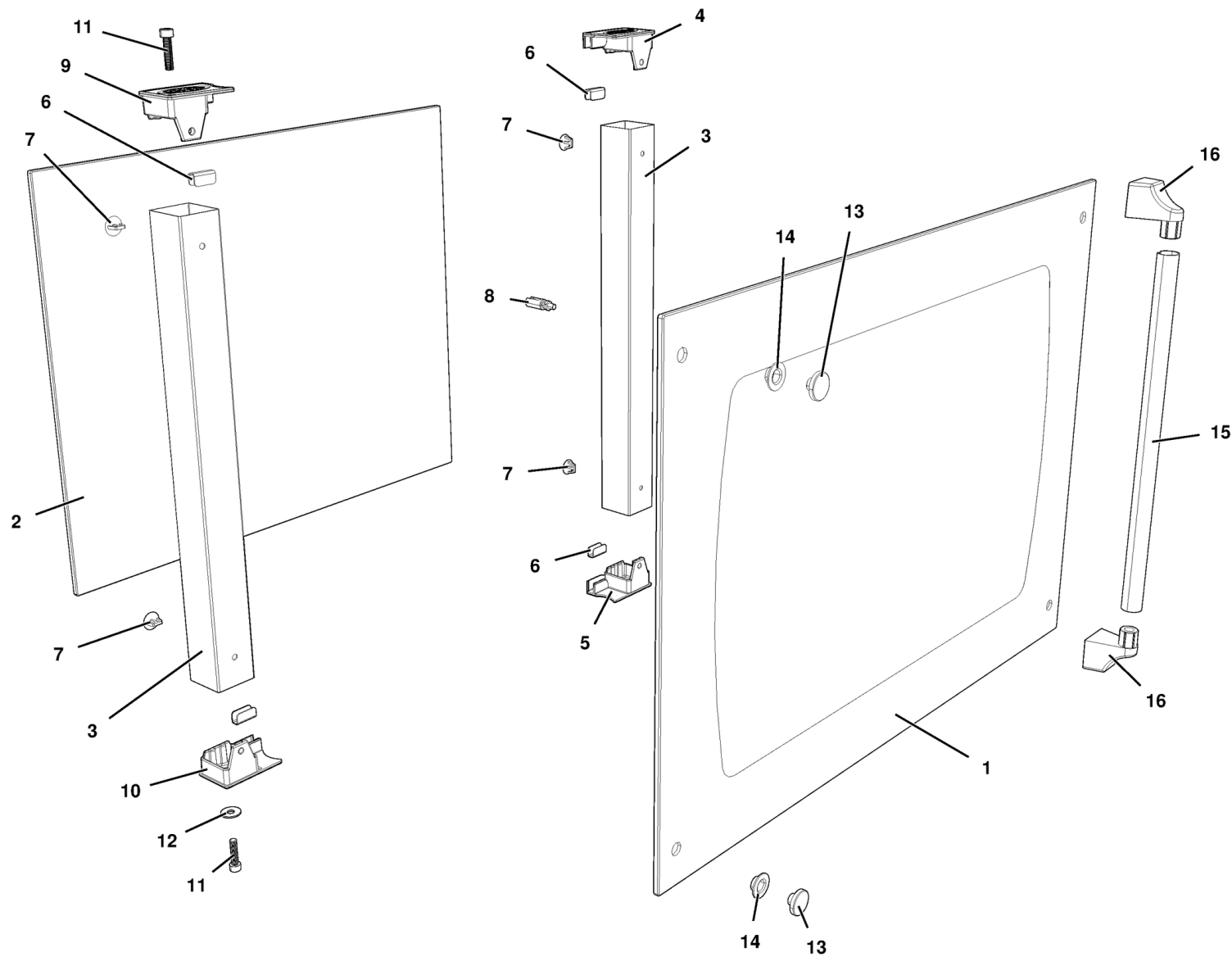


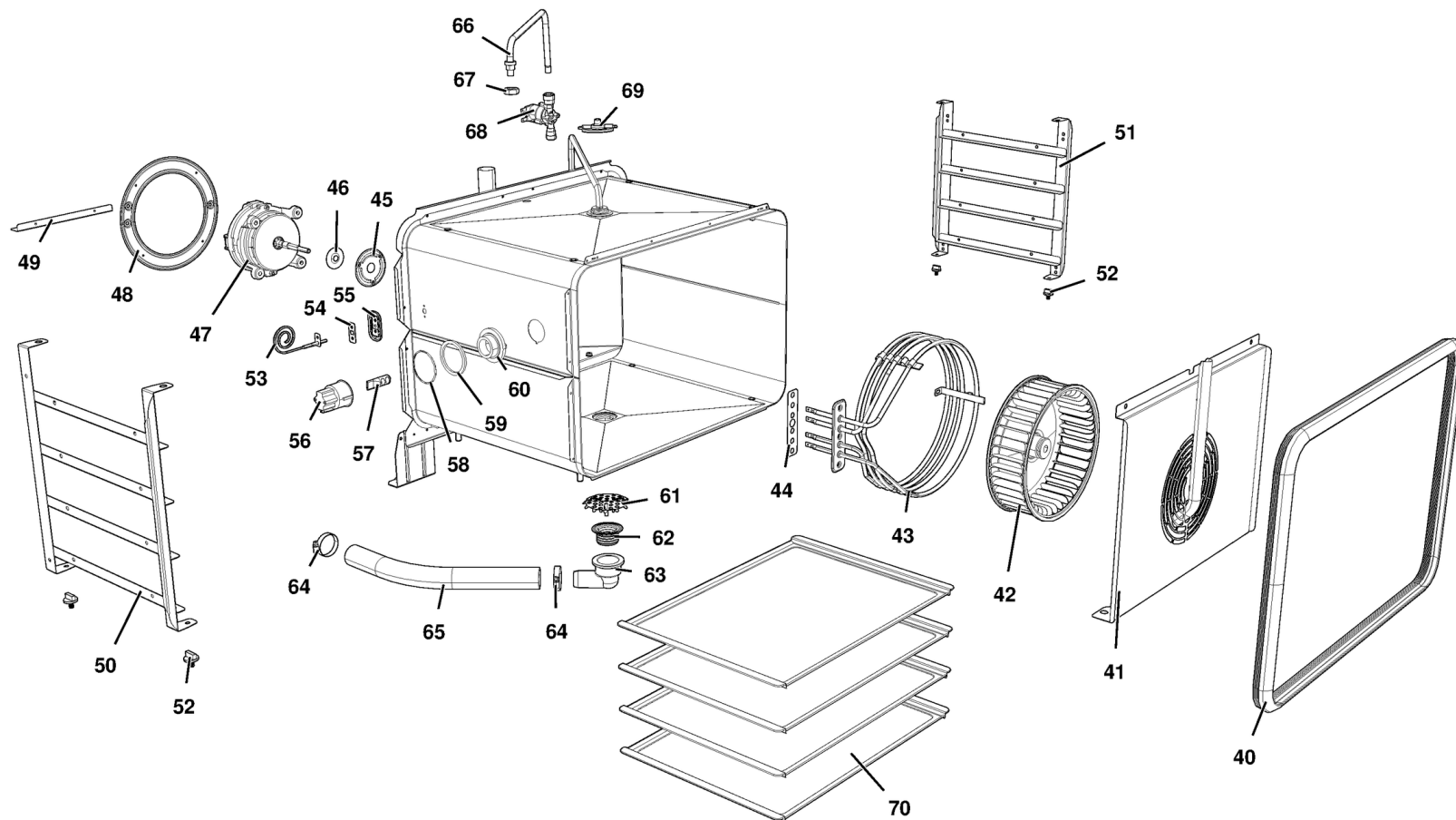
MOD:XFT140



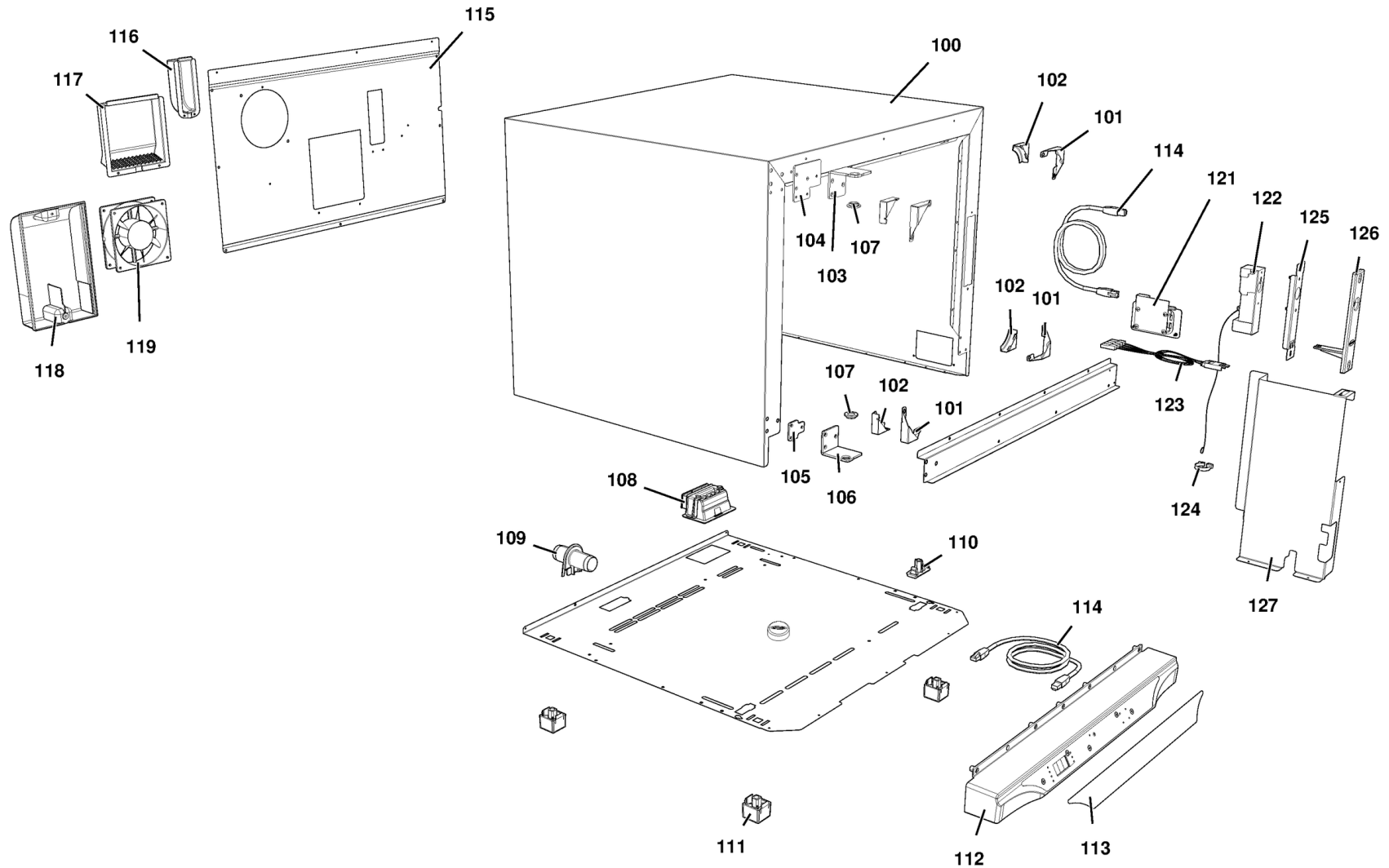
MOD:XFT140



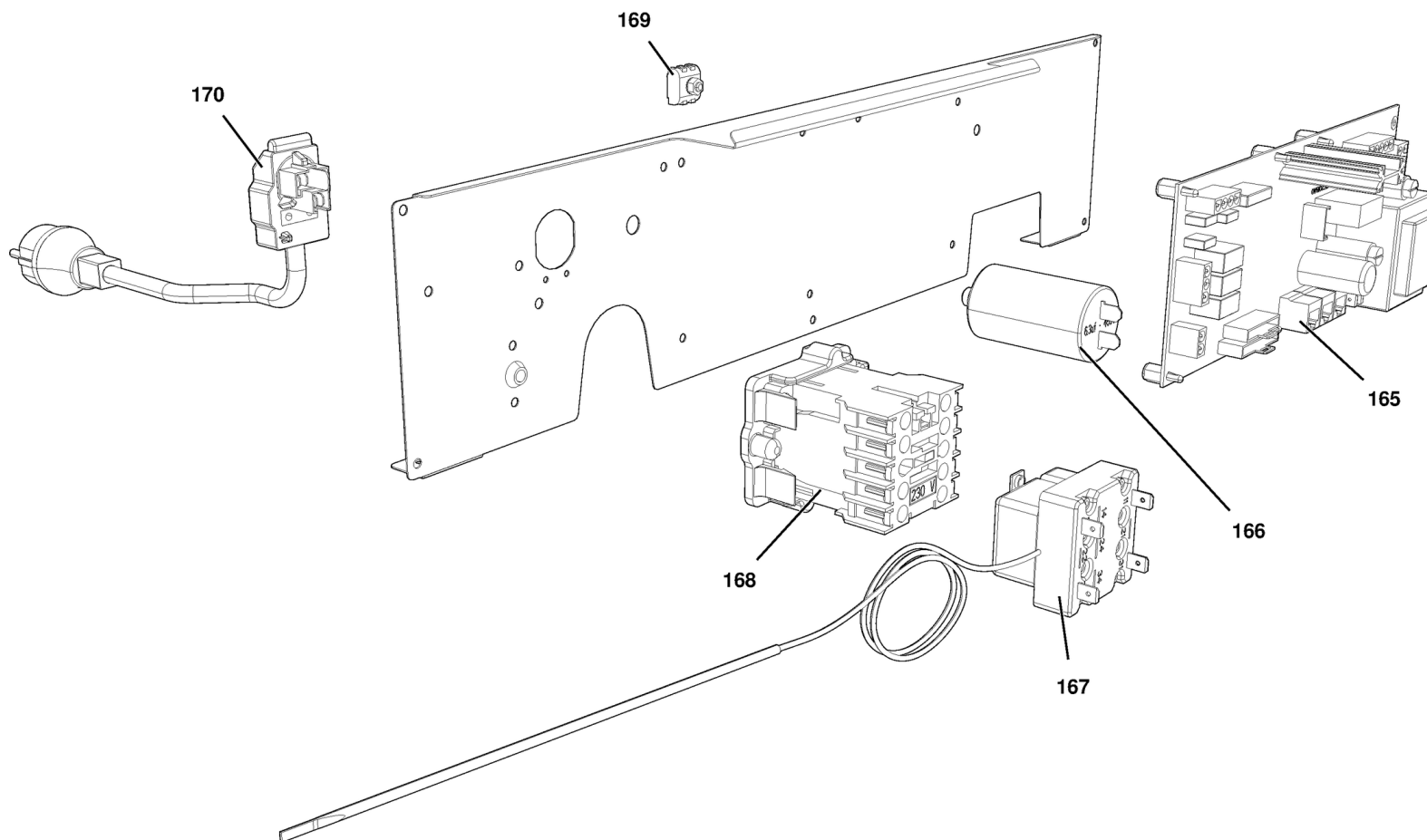
MOD:XFT140



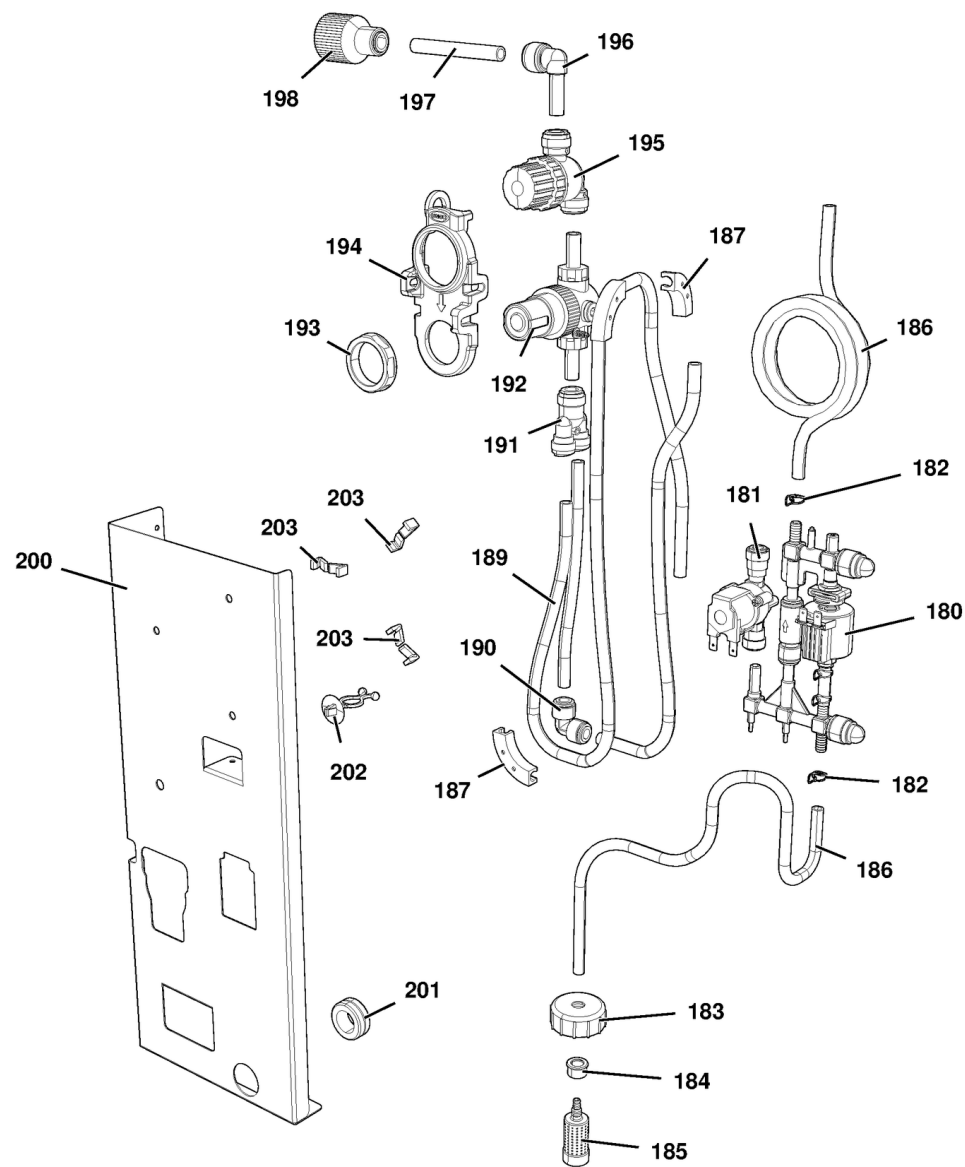
MOD:XFT140



MOD:XFT140



MOD:XFT140



MOD:XFT140



IT

Descrizione codici

1	VT1064A	VETRO EST. 598X424 NERO XFT140/140L
2	VT1259A	VETRO INT. 515X415 XFT140/L
3	OH2626A	COLONNINA DX/SX LM ROSSEL. MATIC 40x40x1
4	VM1045B	TAPPO SUP. DX COLONNINA PORTA
5	VM1046B	TAPPO SUP. SX COLONNINA PORTA
6	GN1265A	GUARNIZIONE VETRO INTERNO XVC054/104
7	VM1025A	TAPPO NYLON PA66 V2 GRIGIO Ø16
8	CR1040A	PERNO CHIUSURA ELETTROMAGN. L.M.
9	VM1048A	TAPPO SUP. SX COLONNINA PORTA
10	VM1047A	TAPPO INF. SX COLONNINA PORTA
11	VI1081A	VITE M6X25 TCEI INOX
12	VI1700A	RONDELLA PIANA 18X6.4X1.5 INOX
13	TF1005A	BOCCOLA FISSAGGIO VETRO L.M. STEFANIA
14	GN1175A	GUARNIZIONE BOCCOLA FISSAGGIO
15	OH2631A	TUBO MANIGLIA L= 325 Ø18x1
16	MG1015B	TERMINALE MANIGLIA L.MISS/L.MICRO/CHEFTO
40	GN1006A	GUARNIZIONE FACCIATA PORTA BANDIERA
41	OG1520A	CARTER ARIA LM XFT140
42	VN1025A	VENTOLA D=196 H=61 38 PALE INOX DADO M8
43	RS1271A	RES. CIRCOLARE 2900W 230V+110W 135V 4 SP
44	GN1327A	GUARNIZIONE RES. 100X22
45	OH4305A	DISCO TENUTA ALBERO MOTORE INOX STP
46	GN1140A	GUARNIZIONE PORTAMOTORE STAMP.
47	VN1130A	MOTORE FORNO 330W 230V 50/60HZ
48	OH3586A	LAMIERA PROTEZIONE MOTORE ZINCATO
49	OH1209A	ALETTA PARACALORE ARIA MOTORE
50	GRL1340A	SUPPORTO LAT. SX 4 460X330 LM EUR
51	GRL1341A	SUPPORTO LAT. DX 4 460X330 LM EUR
52	VM1820A	NOTTOLINO M6 CROMATO FISS. SUPPORTI
53	TR1105A	SONDA TEMPERATURA PT100 L1000
54	GN1285A	GUARNIZIONE SONDA DI TEMPERATURA NTC

55	VM1465A	COPERCHIO SONDA TEMPERATURA CHEFTOP
56	VE1015A	PORTA LAMPADA SERIE 2 PER LAMPADA
57	VE1005A	LAMPADA HALOPIN 25W
58	GN1055A	OR 46x2 VMQ 70 ROSSO
59	GN1065A	GUARNIZIONE PORTALAMPADA DE=53.2
60	VT1195A	VETRO COPRILAMPADA BOROSILICATO TEMPRATO
61	OH2551A	TAPPO PER TUBO DI SCARICO LIQUIDI INOX C
62	GN1400A	GUARNIZIONE SIFONE
63	VL1026A	CURVA PER TUBO DI SCARICO
64	RC1378A	FASCETTA STRINGI TUBO ZINCATA
65	TB1520A	TUBO D.INT=30 SP=4 GOMMA EPDM NERO
66	OH1990A	TUBO EST. UMIDITA' + RC1165A0
67	RC1170A	DADO M14 H=8 CH=22 INOX
68	EL1251A	ELETTRORVALVOLA H2O 1 VIA RID.
69	VL1050A	GIRANTE LAVAGGIO Small
70	TG305	TEGLIA 460x330 PIANA ALLUMINIO
100	OD1996B	MANTELLINO LM ARIANNA TOP
101	OH1450A	ANGOLO FACCIATA MUFFOLA INOX XB-XV-XG
102	VM1008A	ANGOLARE INT. SUPPORTO GUARNIZIONE
103	OH1221A	CERNIERA SUP. PORTA BANDIERA LM Top
104	OH2666B	CONTROSTAFFA SUP. SX PORTA LM MATIC-TOP
105	OH2665A	CONTROSTAFFA PORTA FORNO ZINCATA
106	OH1222A	CERNIERA INF. PORTA BANDIERA LM Top
107	VM2003A	BOCCOLA STAFFA PORTA D Int 10
108	VL1027A	PORTA ATTACCHI IDRICI INFERIORE LMiss
109	VL1022A	TERMINALE SCARICO LIQUIDI Lmiss Top
110	VM1225A	PIASTRINA PASSACAVO CONTROLLO
111	PD1001A	PIEDINO 35X35 H26 PLASTICA+GOMMA GRIGIO
112	VM2186A	CONTROLLO COMPLETO LM600 MATIC-TOP
113	MS1014A	MASCHERINA SERIGRAFATA MATIC LM600 TOUCH
114	CE1012A	CAVO DI RETE RJ45 L1MT

114	CE1012A	CAVO DI RETE RJ45 L1MT
115	OF1086A	SCHIENA LM ARIANNA TOP
116	VM1951A	CUFFIA COPRICAMINO IP
117	VM1952A	COPRIMOTORE IP
118	VM1556A	PROTEZIONE VENTOLA RAFFREDDAMENTO CT-BT
119	VN1163A	VENTOLA RAFFREDDAMENTO 230V
121	PE2012A	ASSIEME UNOXLink LM R45
122	CR1035A	CHIUSURA ELETTROMAGN. 12V L.M.
123	CE1295A	CAVO SERRATURA ELETTROMAGNETICA 1.3M
124	VM1265A	FASCETTA STRINGI TUBO 3/4 - 7/8
125	OH1234A	LAMIERA PORTA SERRATURA
126	VM2154A	COVER SERRATURA ELETTRICA LM Top
127	OH1236B	CANALE AREAZIONE SERRATURA ARI-ROS Top
165	PE2019A	SCHEDA POTENZA 230V LM TOP
166	VE1110A	CONDENSATORE 6,3 µF 450VAC 50/60Hz
167	TR1140A	TERM.SIC.BIP. 350°C RIARMO MANUALE
168	VE1115A	MINICONTATTORE QUADRIPOLORE 20 A 230 V
169	VM1750A	MORSETTIERA A PETTINE
170	MR1000A	CAVO 3X1,5 H07RN-F MT1,5+K2/3+SCHUKO
180	VL1019A	POMPA VIBRAZIONE
181	EL1411A	ELETTRORVALVOLA H2O CON CHECK VALVE
182	RC1381A	BIFILARI STRINGI TUBO D10.7 ZINCATA
183	VL1041B	TAPPO DETERGENTE FORATO Ø11
184	VL1021A	CLIP FERMA TUBO BARBED 8-TUBO D9
185	VL1061A	FILTRO RETINATO CON AFFONDANTE E VNR
186	TB2343A	TUBO PVC TRASPARENTE 9x6
187	RC1006A	CURVA GUIDA TUBO PET D8
189	TB1815A	TUBO PE 7,93X4,75 TRASPARENTE
190	EL1185B	RACCORDO GOMITO D8F-D8F
191	RC1004A	RACCORDO Y D10-D8-8
192	VL1014A	RIDUTTORE DI PRESSIONE CON DISTRIBUTORE

193	VM1054A	GHIERA RIDUTTORE DI PRESSIONE H7.8
194	VL1062A	FORCELLA BLOCCA FILTRO-RIDUTTORE PRES.
195	VL1034A	FILTRO ACQUA Ø10 MESH100
196	RC1243A	RACCORDO GOMITO CODOLO D10F-D10M
197	TB2243A	TUBO PET Ø10
198	RC1365A	RACCORDO JG FEMMINA 3/4"-10
200	OH1226A	LAMIERA CIRCUITO LAVAGGIO LineMiss
201	GN1312A	PASSACAVO GOMMA DE=26 DI=15 SP=10
202	VM1605A	CLIP TWIST LOCK DIAM. 10,2-12,7 MM
203	VM1066A	CLIP A SELLA PASSAGGIO CAVI

MOD:XFT140



EN

Codes descriptions

1	VT1064A	EXTERNAL BLACK GLASS 598X424 XFT140/140L
2	VT1259A	INTERNAL GLASS 515X415 XFT140/L
3	0H2626A	XF-XFT199 RIGHT/LEFT DOOR COLUMN
4	VM1045B	RIGHT UPPER LID FOR COLUMN FOR
5	VM1046B	LEFT UPPER LID FOR COLUMN FOR
6	GN1265A	INTERNAL GLASS SEAL XVC054/104
7	VM1025A	NYLON LID PA66 V2 GREY Ø16
8	CR1040A	DOOR LATCH FOR EL.MAG. LOCKING SYSTEM
9	VM1048A	LEFT UPPER LID FOR COLUMN FOR
10	VM1047A	LEFT LOWER LID FOR COLUMN FOR
11	VI1081A	M6X25 STAINLESS STEEL SCREW
12	VI1700A	STAINLESS STEEL FLAT WASHER 18X6.4X1.5
13	TF1005A	BUSHING TO FIX GLASS L.M. STEFANIA MATIC
14	GN1175A	GASKET FOR BUSHING TO FIX GLASS
15	0H2631A	L= 325 Ø18x1 HANDLE TUBE
16	MG1015B	L.MISS/L.MICRO/CHEFTOP HANDLE TERMINALS
40	GN1006A	FRONT DOOR SEAL
41	OG1520A	L.MissTop XFT140 FAN GUARD
42	VN1025A	FAN D=196 H=61 38 BLADES STAINLESS
43	RS1271A	CIRCULAR HEATING ELEMENT 2900W 230V+110W
44	GN1327A	HEATING ELEMENT GASKET 100X22X0.8
45	0H4305A	ST. STEEL MOTOR SHAFT SEALING DISC
46	GN1140A	MOLDED MOTOR SUPPORT GASKET
47	VN1130A	330W 230V 50/60HZ MOTOR
48	0H3586A	ZINCATE MOTOR GUARD PLATE XBC-XVC
49	0H1209A	PROFILE HEAT COVER FOR MOTOR
50	GRL1340A	L.MissTop 4 460x330 LEFT LATERAL SUPPORT
51	GRL1341A	L.MissTop 4 460x330 RIGHT LATERAL SUPPORT
52	VM1820A	LATERAL SUPPORTS M6 FIXING BOLTS
53	TR1105A	TEMPERATURE PROBE PT100 L1000
54	GN1285A	NTC TEMPERATURE PROBE SEALING

55	VM1465A	CHEFTOP TEMPERATURE PROBE COVER
56	VE1015A	LAMP HOLDER SERIE 2 FOR HALOGEN LAMP
57	VE1005A	HALOGEN LAMP 33W ENERGY SAVER
58	GN1055A	OR 46x2 VMQ 70 RED
59	GN1065A	SEAL FOR LAMP GLASS COVER (PURE)
60	VT1195A	BOROSILICATE LIGHT BULB GLASS COVER
61	0H2551A	XBC/XVC ST.STEEL DRAIN COVER
62	GN1400A	U-TRAP SEAL
63	VL1026A	BEND FOR DRAIN PIPE
64	RC1378A	HOSE CLAMP
65	TB1520A	BLACK EPDM RUBBER PIPE D.Int=38 TH=4
66	0H1990A	EXTERNAL WATER PIPE + STAINLESS
67	RC1170A	STAINLESS STEEL NUT M14 H=8 CH=22
68	EL1251A	1-WAY WATER SOLENOID VALVE BROWN
69	VL1050A	Line Miss WASHING SYSTEM ROTOR
70	TG305	TRAY 460x330 FLAT ALUMINIUM
100	OD1996B	EXTERNAL COVER FOR LineMissTop Arianna
101	0H1450A	XB-XV-XG ST. STEEL MUFFLE FRONT CORNER
102	VM1008A	GASKET SUPPORT INTERNAL CORNER
103	0H1221A	LineMissTop UPPER HINGE
104	0H2666B	LineMiss DOOR LEFT UPPER COUNTER BRACKET
105	0H2665A	ZINCED OVEN DOOR COUNTERSTIRRUP
106	0H1222A	LineMissTop LOWER HINGE
107	VM2003A	DOOR BRACKET NUT BUSHING
108	VL1027A	L.Miss LOWER WATER CONNECTIONS HOLDER
109	VL1022A	LineMissTop WATER DRAIN END
110	VM1225A	PLATE WITH HOLES FOR ELECTRONIC
111	PD1001A	FOOT 35X35 H26 GREY PLASTIC+RUBBER
112	VM2186A	LineMiss Top 46x33 COMPLETE CONTROL
113	MS1014A	L.MISS TOUCH MATIC CONTROL BOARD STICKER
114	CE1012A	RJ45 CABLE L= 1 MT

114	CE1012A	RJ45 CABLE L= 1 MT
115	OF1086A	BACK PART LM ARIANNA TOP
116	VM1951A	IP CHIMNEY COVER
117	VM1952A	IP MOTOR COVER
118	VM1556A	XBC-XVC COOLING FAN GUARD
119	VN1163A	COOLING FAN 230V
121	PE2012A	Line Miss RJ45 UNOXLink CONNECTING POINT
122	CR1035A	LOCKING SYSTEM 12V L.M. STEFANIA MATIC
123	CE1295A	CABLE FOR ELECTROMAGNETIC LOCKING SYSTEM
124	VM1265A	3/4 - 7/8 PIPE CLAMP
125	0H1234A	DOOR LOCK PANEL
126	VM2154A	Line Miss Top ELECTRONIC LOCK COVER
127	0H1236B	L.MTop Arianna-Rossella LOCK AIRING DUCT
165	PE2019A	Line Miss Top POWER CARD
166	VE1110A	CONDENSER 6,3 µF 450VAC 50/60Hz
167	TR1140A	350°C SAFETY THERMOSTAT MANUAL RESET
168	VE1115A	MINICONTRACTOR WITH 4 POLES 20 A 230 V
169	VM1750A	TERMINAL BOARD
170	MR1000A	CABLE 3X1,5 H07RN-F MT1,5+K2/3+SCHUKO
180	VL1019A	VIBRATION PUMP
181	EL1411A	SOLENOID VALVE WITH CHECK VALVE
182	RC1381A	BIFILAR PIPE CLIP D10.7
183	VL1041B	DETERGENT CAP WITH Ø11 HOLE
184	VL1021A	D9 PIPE LOCKING CLIP BARBED 8
185	VL1061A	HOLD DOWN WEIGHT+NET FILTER+NON-RET. V.
186	TB2343A	PVC TRANSPARENT PIPE 9x6
187	RC1006A	D8 PET PIPE GUIDE BEND
189	TB1815A	WHITE PE PIPE 7,93X4,75
190	EL1185B	D8F-D8F ELBOW FITTING
191	RC1004A	Y CONNECTION D10-D8-8
192	VL1014A	PRESSURE REDUCER WITH DISTRIBUTOR

193	VM1054A	PRESSURE REDUCER RING NUT
194	VL1062A	PRESSURE REDUCER-FILTER LOCKING FORK
195	VL1034A	Ø10 MESH100 WATER FILTER
196	RC1243A	D10F-D10M ELBOW CONNECTION + J.G. END
197	TB2243A	Ø10 PET PIPE
198	RC1365A	3/4"-10 JG FEMALE CONNECTION
200	0H1226A	LineMissTop WASHING SYTEM CIRCUIT COVER
201	GN1312A	RUBBER CABLE-PASSING DE=26 DI=15 SP=10
202	VM1605A	CLIP TWIST LOCK DIAM. 10.2-12.7 MM
203	VM1066A	SADDLE CLIP FOR CABLES PASSING