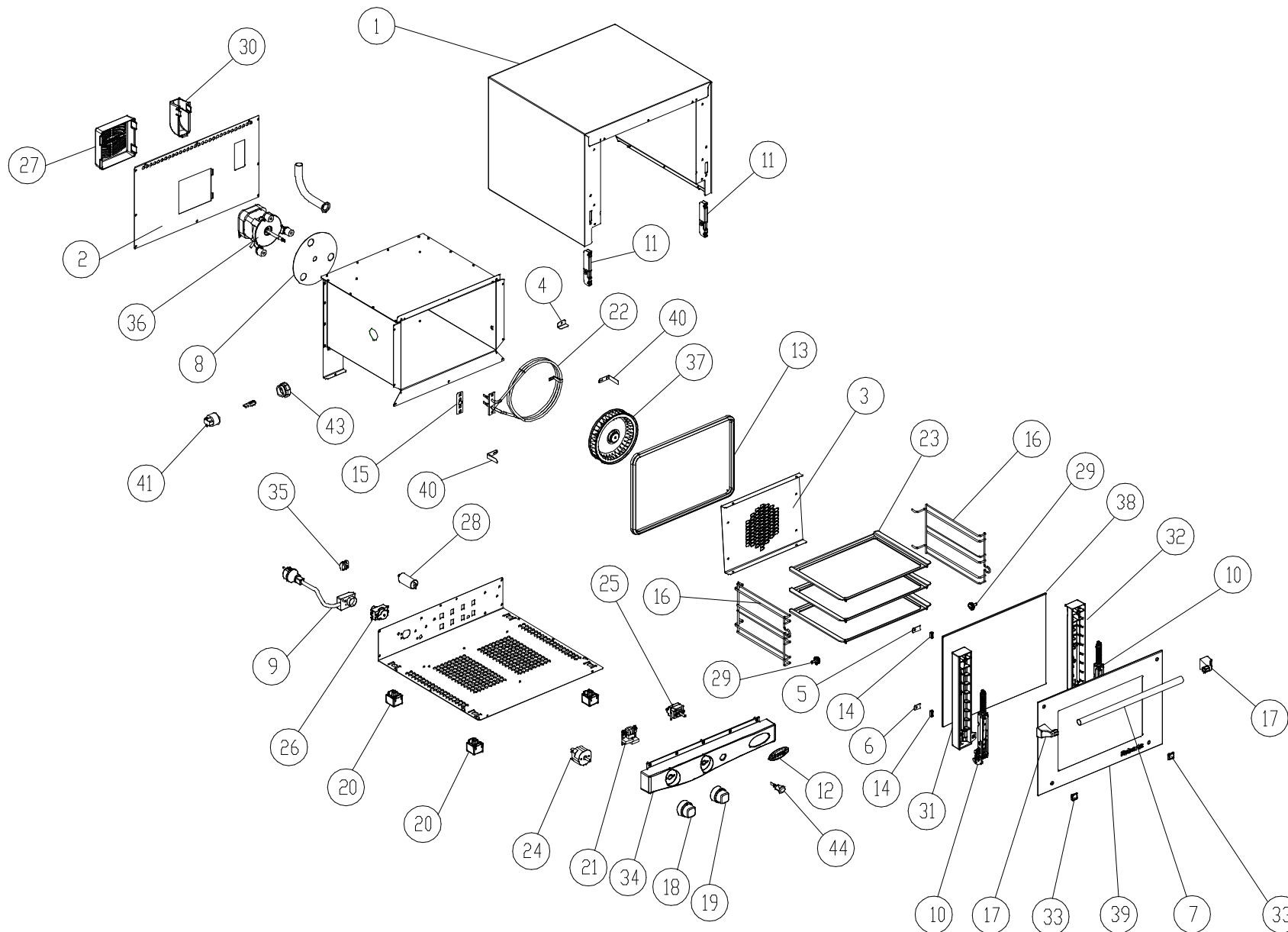


LEGEND - LEGENDA

| | |
|----|-----------|
| 1 | 0D1575C0 |
| 2 | 0F1190A1 |
| 3 | 0G1210A0 |
| 4 | 0H3330A0 |
| 5 | 0H3110A1 |
| 6 | 0H3111A1 |
| 7 | 0H3200B0 |
| 8 | 0H3585A0 |
| 9 | CE116A1 |
| 10 | CR1055A0 |
| 11 | CR1070A0 |
| 12 | ED1070A0 |
| 13 | GN1225A0 |
| 14 | GN1240A0 |
| 15 | GN1326A0 |
| 16 | GRL1080B0 |
| 17 | MG1015B0 |
| 18 | MN1100A1 |
| 19 | MN1101A2 |
| 20 | PD1001A0 |
| 21 | TM1000C0 |
| 22 | RS010 |
| 23 | TG205 |
| 24 | TM1005A0 |
| 25 | TR006 |
| 26 | TR254 |
| 27 | VE1102A0 |
| 28 | VE1145A0 |
| 29 | VI1035A1 |
| 30 | VM1065A0 |
| 31 | VM1370A0 |
| 32 | VM1371A0 |
| 33 | VM1380B0 |
| 34 | VM1385B0 |
| 35 | VM250 |
| 36 | VN1035B1 |
| 37 | VN1110A0 |
| 38 | VT1145A0 |
| 39 | VT1146A1 |
| 40 | 0G1231A0 |
| 41 | VE1480A0 |
| 43 | VT1200A0 |
| 44 | LP1005A0 |



DESCRIZIONE CODICI

| | | |
|----|----------|--|
| 1 | 0D1575C0 | MANTELLINO INOX L. MICRO ROBERTA |
| 2 | 0F1190A1 | SCHIENA ZINCATA L. MICRO ROBERTA |
| 3 | 0G1210A0 | CARTER ARIA INOX L. MICRO ROBERTA |
| 4 | 0H3330A0 | ALETTA CONVOGLIATRICE AISI 430 |
| 5 | 0H3110A1 | PIASTRINA SUPERIORE FERMA VETRO |
| 6 | 0H3111A1 | PIASTRINA INFERIORE FERMA VETRO |
| 7 | 0H3200B0 | TUBO MANIGLIA D-EST=18 SP-1 L=388 |
| 8 | 0H3585A0 | LAMIERA PROTEZIONE MOTORE ZINCATO L.M. |
| 9 | CE116A1 | CAVO 3X1,5 H07RN-F MT1,5+K2/3+SCHUKO |
| 10 | CR1055A0 | CERNIERA PORTA FORNO RIBALTA L.C. |
| 11 | CR1070A0 | ATTACCO CERNIERA PORTA FORNO RIBALTA |
| 12 | ED1070A0 | ETICHETTA UNOX ELLISSE 78x33 ARGENTO |
| 13 | GN1225A0 | GUARNIZIONE L. MICRO ROBERTA |
| 14 | GN1240A0 | GUARNIZIONE COLONNINA-VETRO SILICONE |
| 15 | GN1326A0 | GUARNIZIONE RES. 70X22X0,8 |
| 16 | GRL1080B | GRIGLIA LATERALE DX/SX CROMATA |
| 17 | MG1015B0 | TERMINALE MANIGLIA L.MISS/L.MICRO/CHEFTO |
| 18 | MN1100A1 | MANOPOLA SERIGR. TIMER 0-60 MIN L. MICRO |
| 19 | MN1101A2 | MANOPOLA SERIGR. TERMOSTATO 80-300°C |
| 20 | PD1001A0 | PIEDINO 35X35 H26 PLASTICA+GOMMA GRIGIO |
| 21 | TM1000C0 | SUONERIA ELETTRONICA 15 SEC 230V |
| 22 | RS010 | RES.CIRCOLARE 2560W 220-230 V |
| 23 | TG205 | TEGLIA 342X242 PIANA ALLUMINIO |
| 24 | TM1005A0 | TIMER M12 60 MIN 250V 16A |
| 25 | TR006 | TERMOSTATO 50-295°C 55.19052.861 |
| 26 | TR254 | TERM.SIC.BIP.335°C RIARMO MANUALE |
| 27 | VE1102A0 | CUFFIA COPRI MOTORE IN PLASTICA |
| 28 | VE1145A0 | CONDENSATORE 3,5 µF 450 Vac 50/60 Hz |
| 29 | VI1035A1 | NOTTOLINO M6x12,5 CON TAGLIO OTT.CROM.FE |
| 30 | VM1065A0 | CUFFIA COPRI CAMINO FUMI L.M. |
| 31 | VM1370A0 | COLONNINA SX PORTA L. MICRO ROBERTA-LISA |
| 32 | VM1371A0 | COLONNINA DX PORTA L. MICRO ROBERTA-LISA |
| 33 | VM1380B0 | TAPPO FISSAGGIO VETRO-PORTA L. MICRO |
| 34 | VM1385B0 | CRUSCOTTO COMANDI L. MICRO ROBERTA |
| 35 | VM250 | MORSETT.A PETTINE |
| 36 | VN1035B1 | MOTORE SISME 230 VAC LINE MISS |
| 37 | VN1110A0 | VENTOLA Ø162 H= 32 32 PALE INOX |
| 38 | VT1145A0 | VETRO INTERNO 392X292X4 BETFL |
| 39 | VT1146A1 | VETRO ESTERNO SER. 470X312X4 CHIARO |
| 40 | 0G1231A0 | DISTANZIALE CARTER INOX XF023 |
| 41 | VE1480A0 | GRUPPO LAMPADA 230V-25W |
| 43 | VT1200A0 | VETRO COPRILAMPADA BOROSILICATO L.MICRO |
| 44 | LP1005A0 | LUCE SPIA FLUORO 230V |

DESCRIPTION

| | | |
|----|----------|--|
| 1 | 0D1575C0 | |
| 2 | 0F1190A1 | ZINCED BACK PANEL L. MICRO ROBERTA |
| 3 | 0G1210A0 | STAINLESS STEEL FAN GUARD L. MICRO |
| 4 | 0H3330A0 | AISI 430 CONVEYOR FLAP L. MICRO ROBERTA |
| 5 | 0H3110A1 | STAINLESS STEEL UPPER PLATE TO |
| 6 | 0H3111A1 | STAINLESS STEEL LOWER PLATE TO |
| 7 | 0H3200B0 | |
| 8 | 0H3585A0 | ZINCATE MOTOR GUARD PLATE L.M. |
| 9 | CE116A1 | EL.CABLE 3x1.5 H07RN-F MT1,5+K2/3+SCHUKO |
| 10 | CR1055A0 | HINGE L.C. ROBERTA |
| 11 | CR1070A0 | HINGE LATCH L. C. |
| 12 | ED1070A0 | UNOX ELLIPTICAL STICKER 78x33-SILVER |
| 13 | GN1225A0 | L. MICRO ROBERTA DOOR GASKET |
| 14 | GN1240A0 | BLACK SILICON SEAL FOR COLUMN-GLASS |
| 15 | GN1326A0 | |
| 16 | GRL1080B | XF003 L/R CHROMIUM PLATED LAT. GRID |
| 17 | MG1015B0 | L.MISS/L.MICRO/CHEFTOP HANDLE END |
| 18 | MN1100A1 | L.MICRO 0-60 MINUTES TIMER KNOB |
| 19 | MN1101A2 | 80-300°C THERMOSTAT KNOB |
| 20 | PD1001A0 | FOOT 35X35 H26 GREY PLASTIC+RUBBER |
| 21 | TM1000C0 | |
| 22 | RS010 | CIRC.HEAT. ELEMENT 2560W - 220-230 V |
| 23 | TG205 | TRAY 342x242 FLAT ALUMINIUM |
| 24 | TM1005A0 | TIMER M12 60 MIN 250V 16A |
| 25 | TR006 | THERMOSTAT 50-295° C 55.19052.861 |
| 26 | TR254 | SECURITY THERMOSTAT BIP. 335°C |
| 27 | VE1102A0 | PLASTIC COVER FOR MOTOR L.M. CRI-STE-ARI |
| 28 | VE1145A0 | CONDENSER 3.5 µF 450 Vac 50/60 Hz |
| 29 | VI1035A1 | CHROMIUM PLATED BRASS NUT M6x12,5 |
| 30 | VM1065A0 | PLASTIC COVER FOR FUMES CHIMNEY L.M. |
| 31 | VM1370A0 | LEFT DOOR COLUMN L. MICRO ROBERTA-LISA |
| 32 | VM1371A0 | RIGHT DOOR COLUMN L. MICRO ROBERTA-LISA |
| 33 | VM1380B0 | L.MICRO GLASS-DOOR FIXING CAP |
| 34 | VM1385B0 | CONTROL PANEL L. MICRO ROBERTA |
| 35 | VM250 | "COMB" TERMINAL BOARD |
| 36 | VN1035B1 | |
| 37 | VN1110A0 | STAINLESS STEEL FAN Ø162 H= 32 32 FLAPS |
| 38 | VT1145A0 | INNER GLASS 392x292x4 BETFL L. |
| 39 | VT1146A1 | SERIGR. EXTERNAL GLASS 470x312x4 |
| 40 | 0G1231A0 | |
| 41 | VE1480A0 | 230V-25W LAMP SET |
| 43 | VT1200A0 | L.MICRO LAMP COVER BOROSILICATE GLASS |
| 44 | LP1005A0 | |