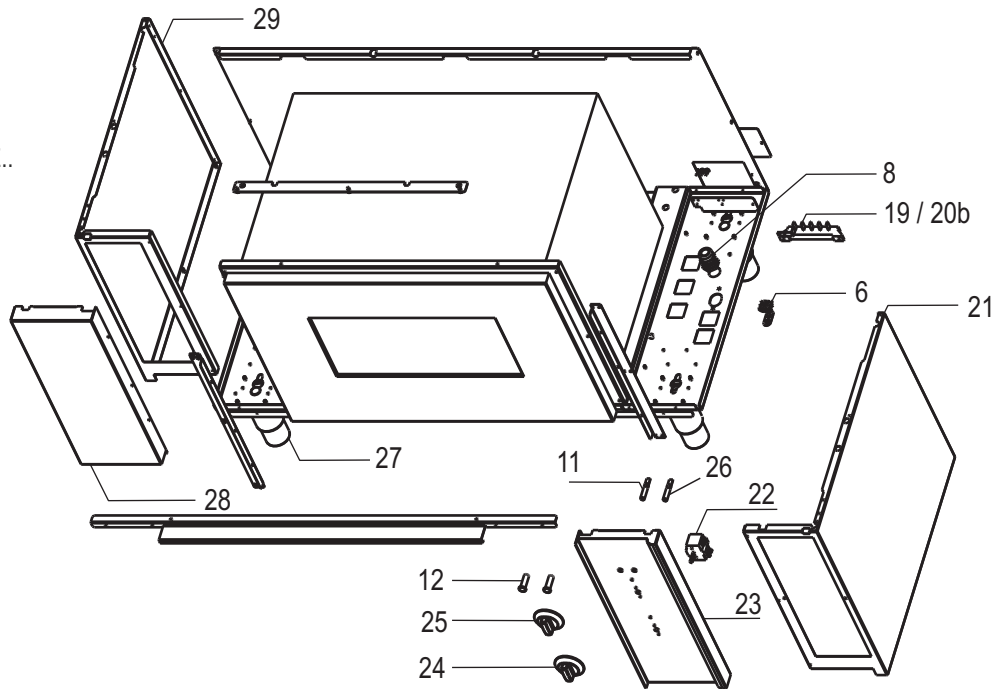
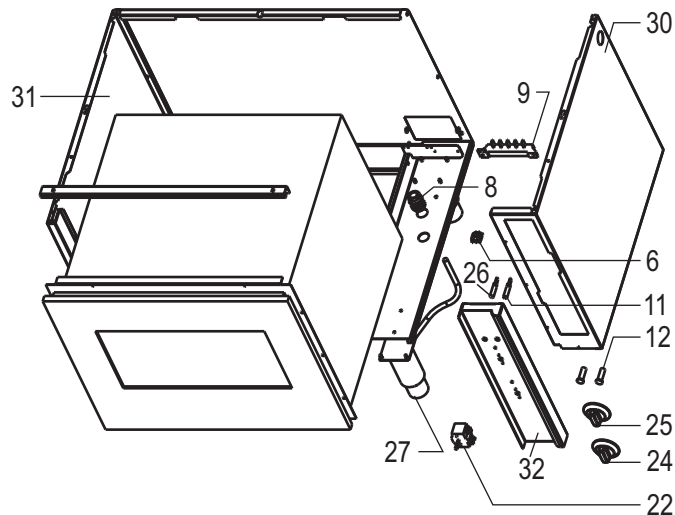
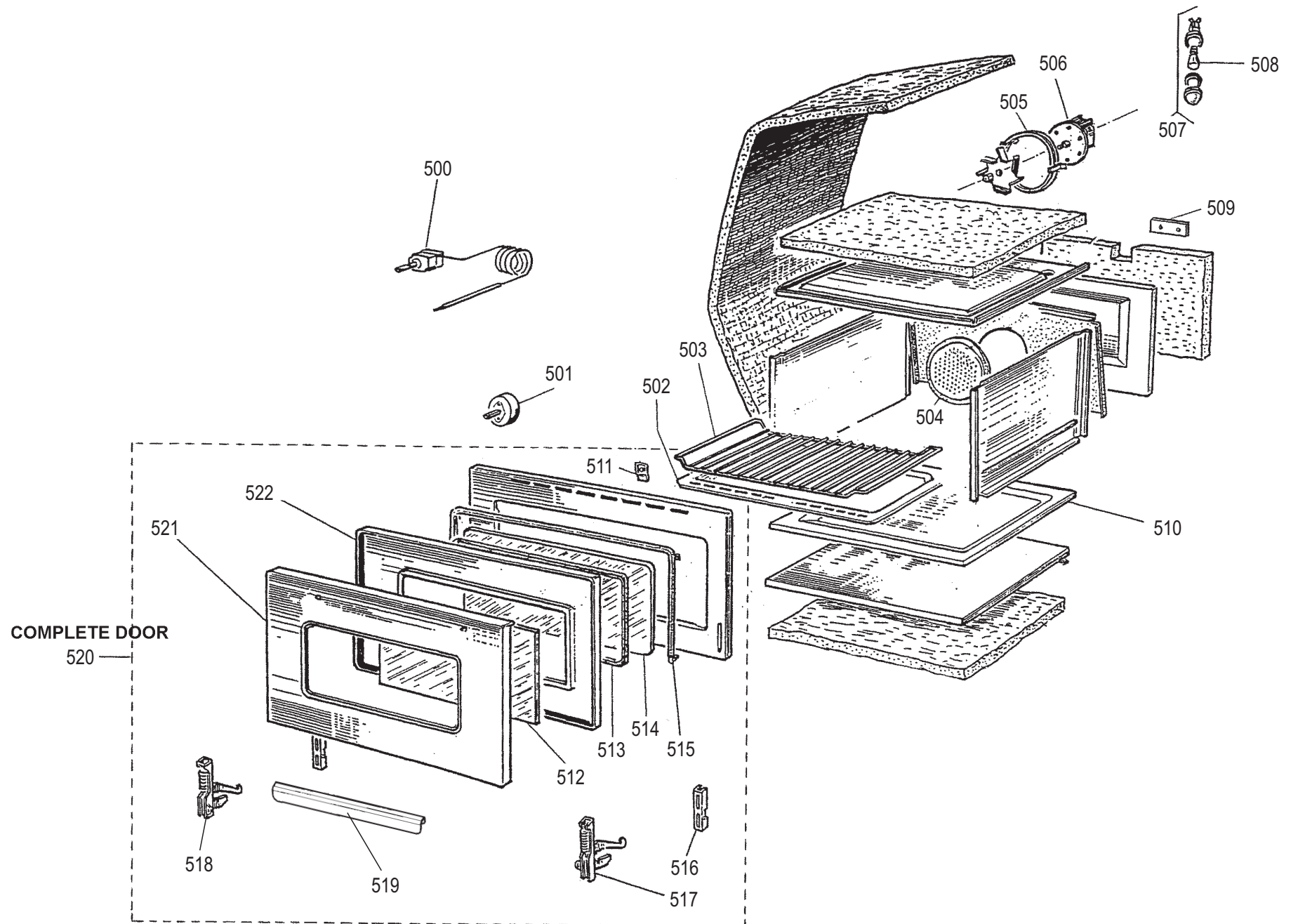


PFL105E..



PF70E..





CODICI RICAMBIO PER FINITO / SPARE PARTS FOR THE FINISHED PRODUCT
Aggiornato al/Updated to 27/11/17

Artic./Item	Descrizione/Description		Modello/Model
116010	CUCINA ELETTRICA 6 PIASTRE 230V 1 FASE CON FORNO ELETTRICO VENTILATO GN1/1 6 HOT PLATES ELECTRIC RANGE 230V SINGLE PHASE WITH GN1/1 FAN ASSISTED ELECTRIC O		PFL105E/62
Cons./Recom.	Pos./Posit.	Ricambio/Replacement	Prezzo/Price List
	04	RC01251000 FIANCO DX SNACK	RIGHT SIDE SNACK 32,77
	05	RC01503000 FONDO ELETTRICO 1050	BASE PC105E... 39,61
	06	RC00304000 MORSETTO EQUIPOTENZIALE COMPLETO	EQUIPOTENTIAL CONNECTING BLOCK 6,62
	08	RC00241000 PRESSACAVO PG16 CON DADO	CABLE GLAND AND NUT 7,18
*	10	RC00291000 COMMUTATORE	SWITCH 19,97
*	11	RC01782000 LAMPADA SEGN.NEON FASTON VERDE 230V	GREEN NEON LAMP 230V 6,09
*	12	RC01783000 PORTALAMPADA TRASPARENTE D10	TRANSPARENT LAMP HOLDER D10 5,30
	13	RC02029000 MANOPOLA PCE NERA	BLACK KNOB 9,76
	13	RC02071000 MANOPOLA PCE GRIGIA	GREY KNOB 9,05
	15	RC01504000 CRUSCOTTO PC/PFL105E..	CONTROL PANEL PC/PFL105E.. 79,90
	16	RC01252000 FIANCO SX SNACK	LEFT SIDE SNACK 32,77
	17	RC01502000 RIPIANO PC/PFL105E..	SHELF PC/PFL105E 214,24
	18	RC00764000 PIASTRA ELETTRICA 230V 1.5KW	HOT PLATE 46,89
	19	RC00296000 MORSETTIERA MONOFASE	CONNECTING BLOCK 6,62
	20a	RC01521000 MORSETTIERA FV122 V-V	CONNECTING BLOCK 9,70
	21	RC00817000 FIANCO DX PFL105G	RIGHT SIDE PFL105G 61,14
*	22	RC00037000 COMMUTATORE MONOFASE	SWITCH 19,64
	23	RC00823000 CRUSCOTTO FORNO 90 EL.	CONTROL PANEL PFL105G 61,66
	24	RC01523000 MANOPOLA ELETTRICA TIMER SNACK GRIGIA	GREY TIMER KNOB
	24	RC01885000 MANOPOLA ELETTRICA TIMER SNACK NERA	BLACK KNOB FOR TIMER LINE SNACK 9,76
	25	RC01524000 MANOPOLA ELETT.TERMOSTATO SNACK GRIGIA	SNACK GREY KNOB
	25	RC01886000 MANOPOLA ELETT.TERMOSTATO SNACK NERA	BLACK KNOB FOR THERMOSTAT LINE SNACK 9,76
*	26	RC00052000 LAMPADA SEGN.NEON FASTON ARANCIO 230V	SIGNAL LAMP 5,19

CODICI RICAMBIO PER FINITO / SPARE PARTS FOR THE FINISHED PRODUCT
Aggiornato al/Updated to 27/11/17

Artic./Item	Descrizione/Description		Modello/Model
116010	CUCINA ELETTRICA 6 PIASTRE 230V 1 FASE CON FORNO ELETTRICO VENTILATO GN1/1 6 HOT PLATES ELECTRIC RANGE 230V SINGLE PHASE WITH GN1/1 FAN ASSISTED ELECTRIC O		PFL105E/62
Cons./Recom.	Pos./Posit.	Ricambio/Replacement	Prezzo/Price List
	27	RC01602000 PIEDE 1"3/4 H250	FOOT 18,98
	28	RC00822000 COPERTURA ANTERIORE PFL	FRONT COVER PFL 44,73
	29	RC00818000 FIANCO SX PFL105G	LEFT SIDE PFL105G 61,61
*	500	RC00569000 TERMOSTATO	THERMOSTAT 49,88
	501	RC00570000 TIMER	TIMER 45,24
	502	RC00815000 TEGLIA FORNO "L"	SAUCE TRAY FOR OVEN "90" 86,93
	503	RC00816000 GRIGLIA FORNO "L"	OVEN GRID "L" 37,62
	504	RC00950000 COPERCHIO VENTOLA 90	FAN COVER 90 45,24
*	505	RC00568000 RESISTENZA 2.5KW PER FORNO	OVEN HEATING ELEMENT 47,88
*	506	RC00565000 MOTOVENTILATORE COMPLETO DI VENTOLA	ELECTRIC VENTILATOR WITH FAN 83,42
*	507	RC00805000 PORTALAMPADA SCHERMATO	SHIELDED LAMP HOLDER 30,01
*	508	RC00566000 LAMPADA 25W	LAMP 13,24
	509	RC00941000 PIASTRINA CHIUDI FORO	HOLE STOPPER PLATE 30,01
	510	RC00951000 PIANO ESTRAIBILE 90 NERO	REMOVABLE SHELF 90 BLACK 83,42
	511	RC00832000 SQUADRETTA FISSAGGIO VETRO	GLASS FIXTURE BRACKET 22,40
	512	RC00821000 CRISTALLO PORTA 90	EXTERNAL GLASS FOR OVEN "90" 79,88
	513	RC00885000 GUARNIZIONE RIGIDA FORNO 90	RIGID OVEN GASKET 90 22,40
	514	RC00820000 VETRO INTERNO FORNO 90	INTERNAL GLASS FOR OVEN "90" 54,29
	515	RC00879000 GUARNIZIONE FACCIATA FORNO 90	GASKET FOR OVEN L9 22,84
	516	RC00949000 PORTARULLINO CERNIERA	HINGE ROLLER HOLDER 14,78
	517	RC00802000 CERNIERA DX PER PORTA FORNO	RIGHT HINGE FOR OVEN "90" 20,85
	518	RC00803000 CERNIERA SX PER PORTA FORNO	LEFT HINGE FOR OVEN "90" 20,85
	519	RC00834000 MANIGLIA FORNO	OVEN HANDLE 31,45

PAG. 2

CODICI RICAMBIO PER FINITO / SPARE PARTS FOR THE FINISHED PRODUCT

Aggiornato al/Updated to 27/11/17

Artic./Item	Descrizione/Description	Modello/Model
116010	CUCINA ELETTRICA 6 PIASTRE 230V 1 FASE CON FORNO ELETTRICO VENTILATO GN1/1 6 HOT PLATES ELECTRIC RANGE 230V SINGLE PHASE WITH GN1/1 FAN ASSISTED ELECTRIC O	PFL105E/62

Cons./Recom.	Pos./Posit.	Ricambio/Replacement	Prezzo/Price List
	520	RC00952000 ASSIEME PORTA FORNO 90E	OVEN DOOR ASSEMBLY 90E 476,09
	521	RC00872000 BOMBATO PORTA FORNO 90	ROUNDED OVEN DOOR 90 157,47
	522	RC00874000 CRISTALLO M NERO FORNO 90 SMALVIC	OVEN DOOR TEMPERED GLASS 90 91,02