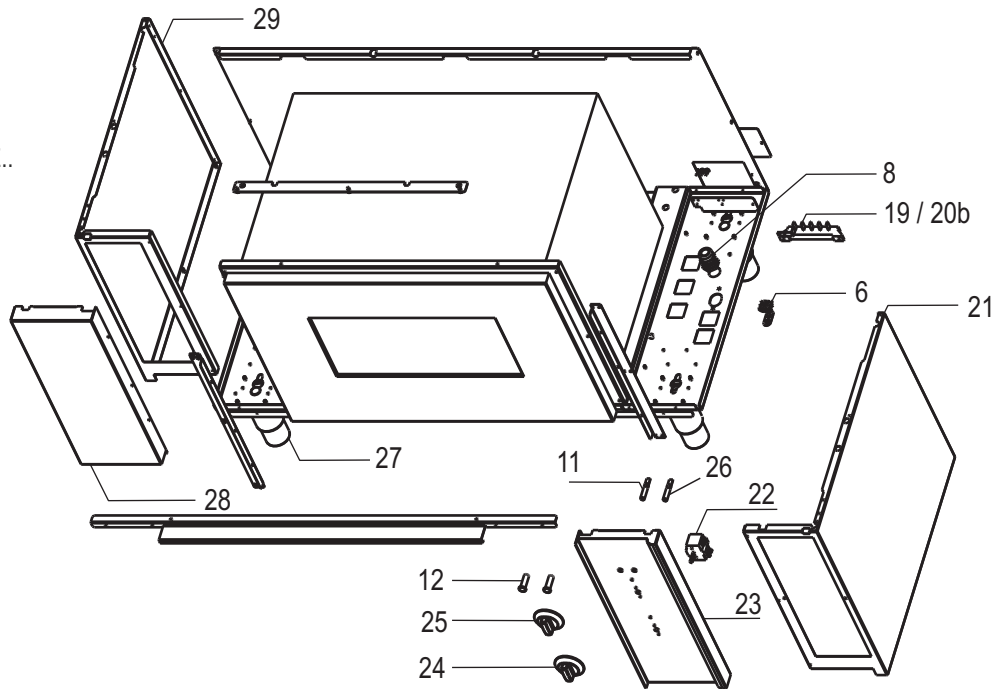
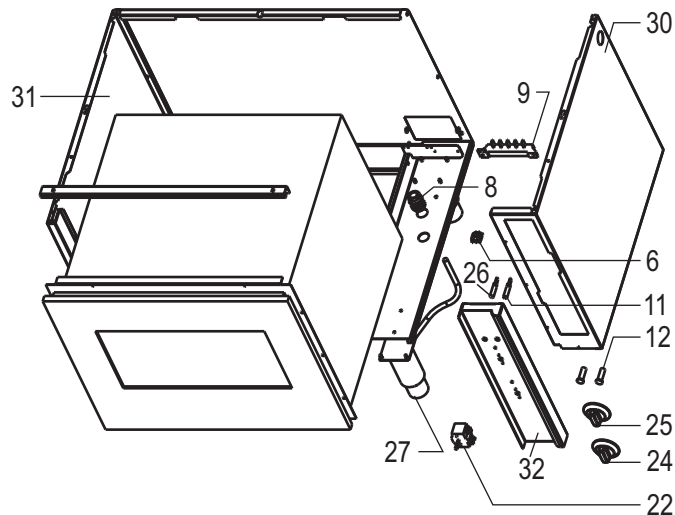
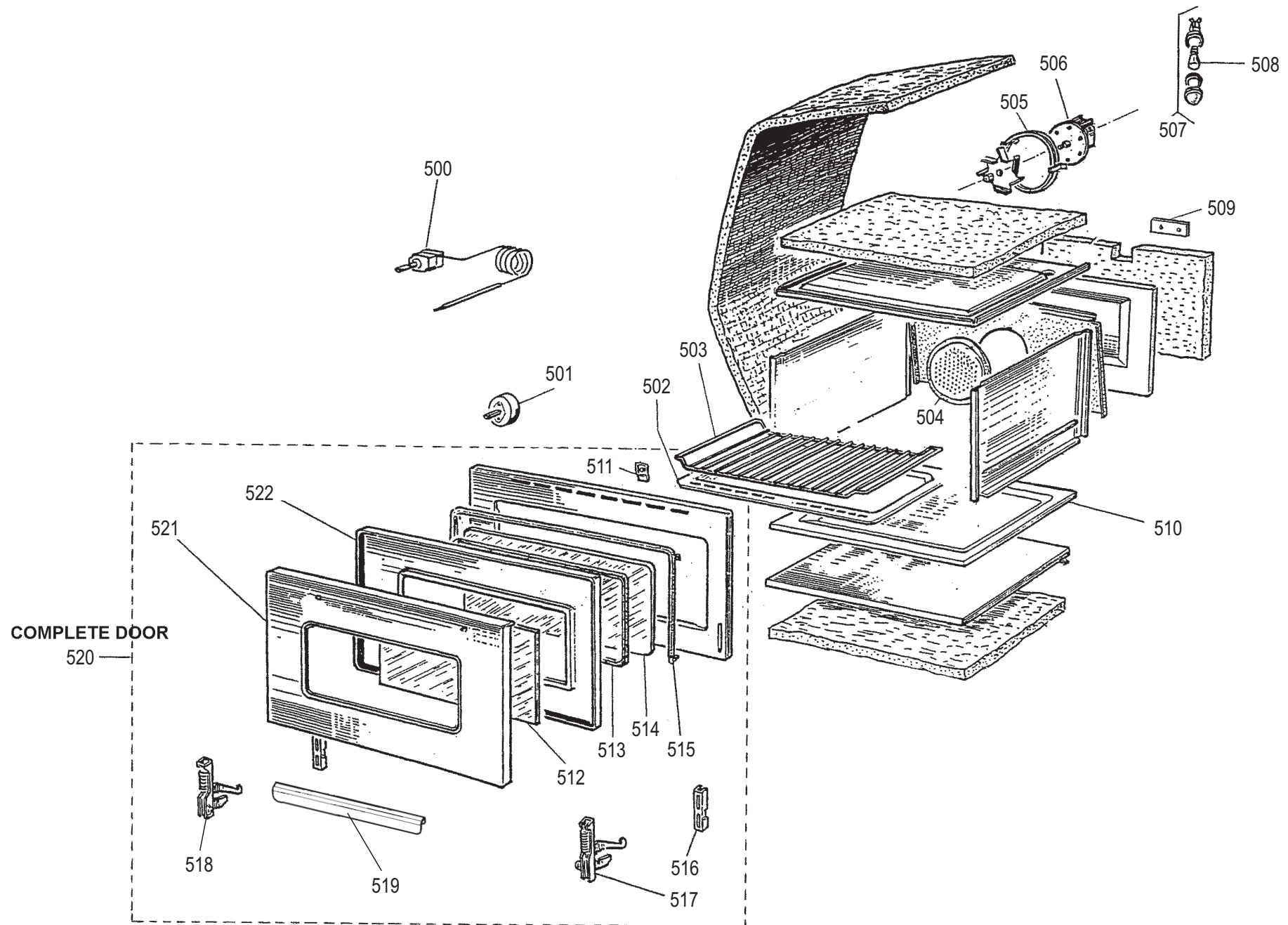


PFL105E..



PF70E..





CODICI RICAMBIO PER FINITO / SPARE PARTS FOR THE FINISHED PRODUCT
Aggiornato al/Updated to 27/11/17

| Artic./Item | Descrizione/Description | | Modello/Model |
|---------------|---|---|---|
| 126009 | CUCINA ELETTRICA 6 PIASTRE CON FORNO ELETTRICO VENTILATO GN1/1 6 HOT PLATES ELECTRIC RANGE WITH GN1/1 FAN ASSISTED ELECTRIC OVEN | | PFL105E/0 |
| Cons./Recom. | Pos./Posit. | Ricambio/Replacement | Prezzo/Price List |
| | 01 | RC00813000 CAMINO PER CUCINA 1050 | FLUE COOKER 1050 109,34 |
| | 04 | RC01251000 FIANCO DX SNACK | RIGHT SIDE SNACK 32,77 |
| | 05 | RC01503000 FONDO ELETTRICO 1050 | BASE PC105E... 39,61 |
| | 06 | RC00304000 MORSETTO EQUIPOTENZIALE COMPLETO | EQUIPOTENTIAL CONNECTING BLOCK 6,62 |
| | 09 | RC00194000 MORSETTIERA FV 122 B | CONNECTING BLOCK 9,16 |
| * | 10 | RC00291000 COMMUTATORE | SWITCH 19,97 |
| * | 11 | RC01782000 LAMPADA SEGN.NEON FASTON VERDE 230V | GREEN NEON LAMP 230V 6,09 |
| * | 12 | RC01783000 PORTALAMPADA TRASPARENTE D10 | TRANSPARENT LAMP HOLDER D10 5,30 |
| | 13 | RC02029000 MANOPOLA PCE NERA | BLACK KNOB 9,76 |
| | 13 | RC02071000 MANOPOLA PCE GRIGIA | GREY KNOB 9,05 |
| | 15 | RC01504000 CRUSCOTTO PC/PFL105E.. | CONTROL PANEL PC/PFL105E.. 79,90 |
| | 16 | RC01252000 FIANCO SX SNACK | LEFT SIDE SNACK 32,77 |
| | 17 | RC01502000 RIPIANO PC/PFL105E.. | SHELF PC/PFL105E 214,24 |
| | 18 | RC00290000 PIASTRA ELETTRICA | HOT PLATE 46,78 |
| | 20b | RC01521000 MORSETTIERA FV122 V-V | CONNECTING BLOCK 9,70 |
| | 21 | RC00817000 FIANCO DX PFL105G | RIGHT SIDE PFL105G 61,14 |
| * | 22 | RC00037000 COMMUTATORE MONOFASE | SWITCH 19,64 |
| | 23 | RC00823000 CRUSCOTTO FORNO 90 EL. | CONTROL PANEL PFL105G 61,66 |
| | 24 | RC01523000 MANOPOLA ELETTRICA TIMER SNACK GRIGIA | GREY TIMER KNOB |
| | 24 | RC01885000 MANOPOLA ELETTRICA TIMER SNACK NERA | BLACK KNOB FOR TIMER LINE SNACK 9,76 |
| | 25 | RC01524000 MANOPOLA ELETT.TERMOSTATO SNACK GRIGIA | SNACK GREY KNOB |
| | 25 | RC01886000 MANOPOLA ELETT.TERMOSTATO SNACK NERA | BLACK KNOB FOR THERMOSTAT LINE SNACK 9,76 |
| * | 26 | RC00052000 LAMPADA SEGN.NEON FASTON ARANCIO 230V | SIGNAL LAMP 5,19 |

PAG. 1

CODICI RICAMBIO PER FINITO / SPARE PARTS FOR THE FINISHED PRODUCT
Aggiornato al/Updated to 27/11/17

| Artic./Item | Descrizione/Description | | Modello/Model |
|---------------|---|---|---|
| 126009 | CUCINA ELETTRICA 6 PIASTRE CON FORNO ELETTRICO VENTILATO GN1/1 6 HOT PLATES ELECTRIC RANGE WITH GN1/1 FAN ASSISTED ELECTRIC OVEN | | PFL105E/0 |
| Cons./Recom. | Pos./Posit. | Ricambio/Replacement | Prezzo/Price List |
| | 27 | RC01602000 PIEDE 1"3/4 H250 | FOOT 18,98 |
| | 28 | RC00822000 COPERTURA ANTERIORE PFL | FRONT COVER PFL 44,73 |
| | 29 | RC00818000 FIANCO SX PFL105G | LEFT SIDE PFL105G 61,61 |
| * | 500 | RC00569000 TERMOSTATO | THERMOSTAT 49,88 |
| | 501 | RC00570000 TIMER | TIMER 45,24 |
| | 502 | RC00815000 TEGLIA FORNO "L" | SAUCE TRAY FOR OVEN "90" 86,93 |
| | 503 | RC00816000 GRIGLIA FORNO "L" | OVEN GRID "L" 37,62 |
| | 504 | RC00950000 COPERCHIO VENTOLA 90 | FAN COVER 90 45,24 |
| * | 505 | RC00568000 RESISTENZA 2.5KW PER FORNO | OVEN HEATING ELEMENT 47,88 |
| * | 506 | RC00565000 MOTOVENTILATORE COMPLETO DI VENTOLA | ELECTRIC VENTILATOR WITH FAN 83,42 |
| * | 507 | RC00805000 PORTALAMPADA SCHERMATO | SHIELDED LAMP HOLDER 30,01 |
| * | 508 | RC00566000 LAMPADA 25W | LAMP 13,24 |
| | 509 | RC00941000 PIASTRINA CHIUDI FORO | HOLE STOPPER PLATE 30,01 |
| | 510 | RC00951000 PIANO ESTRAIBILE 90 NERO | REMOVABLE SHELF 90 BLACK 83,42 |
| | 511 | RC00832000 SQUADRETTA FISSAGGIO VETRO | GLASS FIXTURE BRACKET 22,40 |
| | 512 | RC00821000 CRISTALLO PORTA 90 | EXTERNAL GLASS FOR OVEN "90" 79,88 |
| | 513 | RC00885000 GUARNIZIONE RIGIDA FORNO 90 | RIGID OVEN GASKET 90 22,40 |
| | 514 | RC00820000 VETRO INTERNO FORNO 90 | INTERNAL GLASS FOR OVEN "90" 54,29 |
| | 515 | RC00879000 GUARNIZIONE FACCIATA FORNO 90 | GASKET FOR OVEN L9 22,84 |
| | 516 | RC00949000 PORTARULLINO CERNIERA | HINGE ROLLER HOLDER 14,78 |
| | 517 | RC00802000 CERNIERA DX PER PORTA FORNO | RIGHT HINGE FOR OVEN "90" 20,85 |
| | 518 | RC00803000 CERNIERA SX PER PORTA FORNO | LEFT HINGE FOR OVEN "90" 20,85 |
| | 519 | RC00834000 MANIGLIA FORNO | OVEN HANDLE 31,45 |

CODICI RICAMBIO PER FINITO / SPARE PARTS FOR THE FINISHED PRODUCT

Aggiornato al/Updated to 27/11/17

| Artic./Item | Descrizione/Description | Modello/Model |
|---------------|---|------------------|
| 126009 | CUCINA ELETTRICA 6 PIASTRE CON FORNO ELETTRICO VENTILATO GN1/1 6 HOT PLATES ELECTRIC RANGE WITH GN1/1 FAN ASSISTED ELECTRIC OVEN | PFL105E/0 |

| Cons./Recom. | Pos./Posit. | Ricambio/Replacement | | Prezzo/Price List | |
|--------------|-------------|----------------------|-----------------------------------|-----------------------------|--------|
| | 520 | RC00952000 | ASSIEME PORTA FORNO 90E | OVEN DOOR ASSEMBLY 90E | 476,09 |
| | 521 | RC00872000 | BOMBATO PORTA FORNO 90 | ROUNDED OVEN DOOR 90 | 157,47 |
| | 522 | RC00874000 | CRISTALLO M NERO FORNO 90 SMALVIC | OVEN DOOR TEMPERED GLASS 90 | 91,02 |