

# **SIMAG**

## **SNM 300**

**R 404 A VERSION**

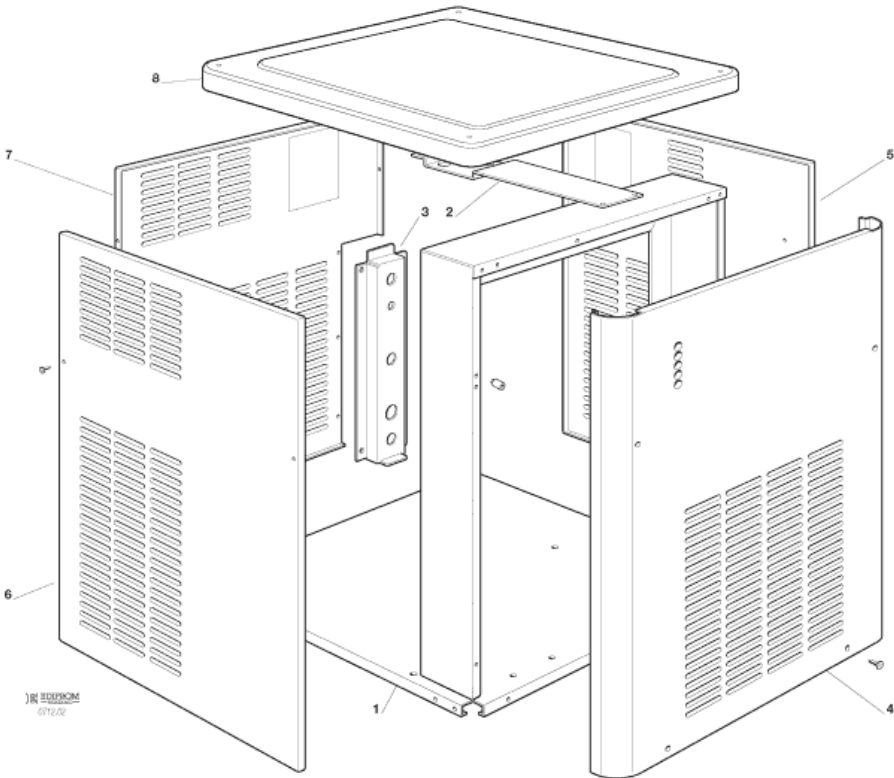
**SPARE PARTS LIST**

# Spare Parts Catalogue

## SNM 300

- 1 - UNIT PANELS
- 2 - REFRIGERANT SYSTEM AIR COOLED
- 3 - REFRIGERANT SYSTEM WATER COOLED
- 4 - WATER SYSTEM AND INSULATIONS
- 5 - FREEZER AND GEAR REDUCER ASSY
- 6 - P.C. BOARD AND SENSORS ASSY

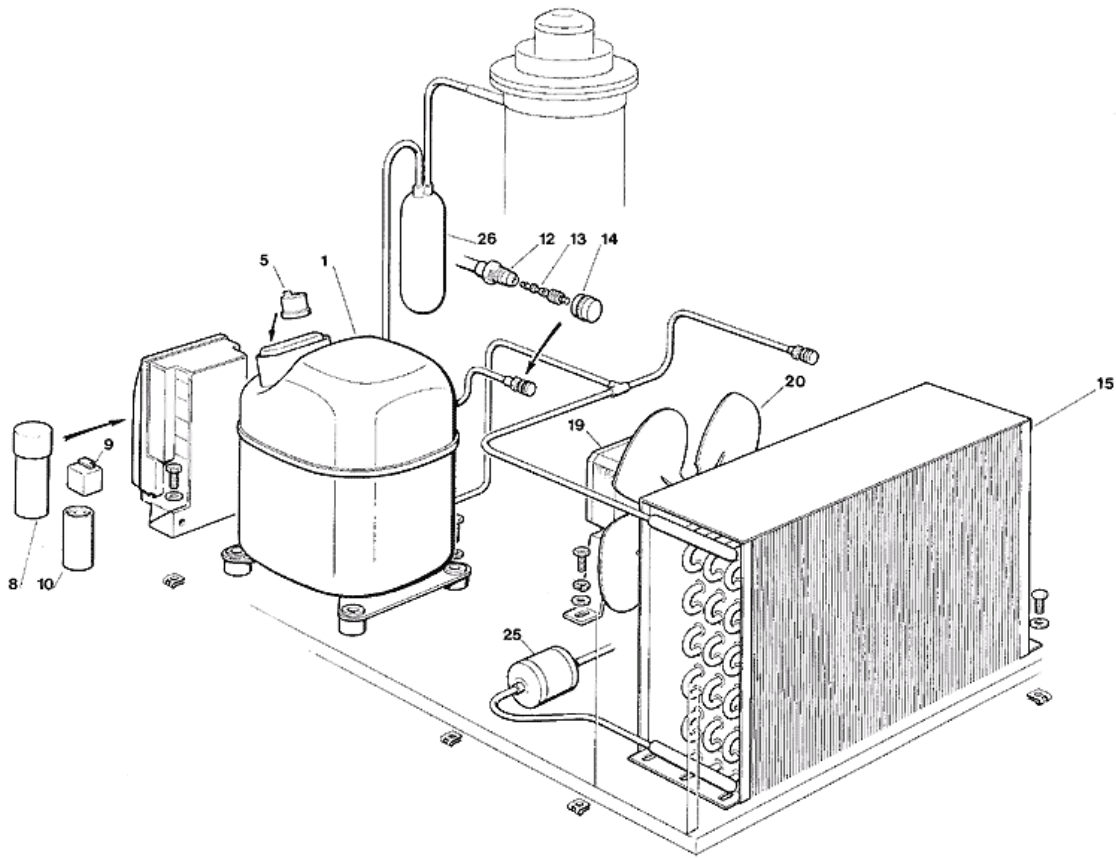
1 - UNIT PANELS



## 1 - UNIT PANELS

| POSITION | CODE      | DESCRIPTION      |
|----------|-----------|------------------|
| 0001     | 781470 00 | UNIT BASE        |
| 0001     | 781472 00 | FRONT BRACKET    |
| 0002     | 781463 00 | BRACKET          |
| 0003     | 702315 00 | REAR BRACKET     |
| 0004     | 650624 04 | LABEL            |
| 0004     | 650976 00 | SIMAG LOGO       |
| 0004     | 650976 33 | SNM 300 LABEL    |
| 0004     | 722285 00 | FRONT PANEL      |
| 0005     | 722280 02 | RIGHT SIDE PANEL |
| 0006     | 722281 02 | LEFT SIDE PANEL  |
| 0007     | 722282 02 | REAR PANEL       |
| 0008     | 660873 00 | TOP PANEL        |

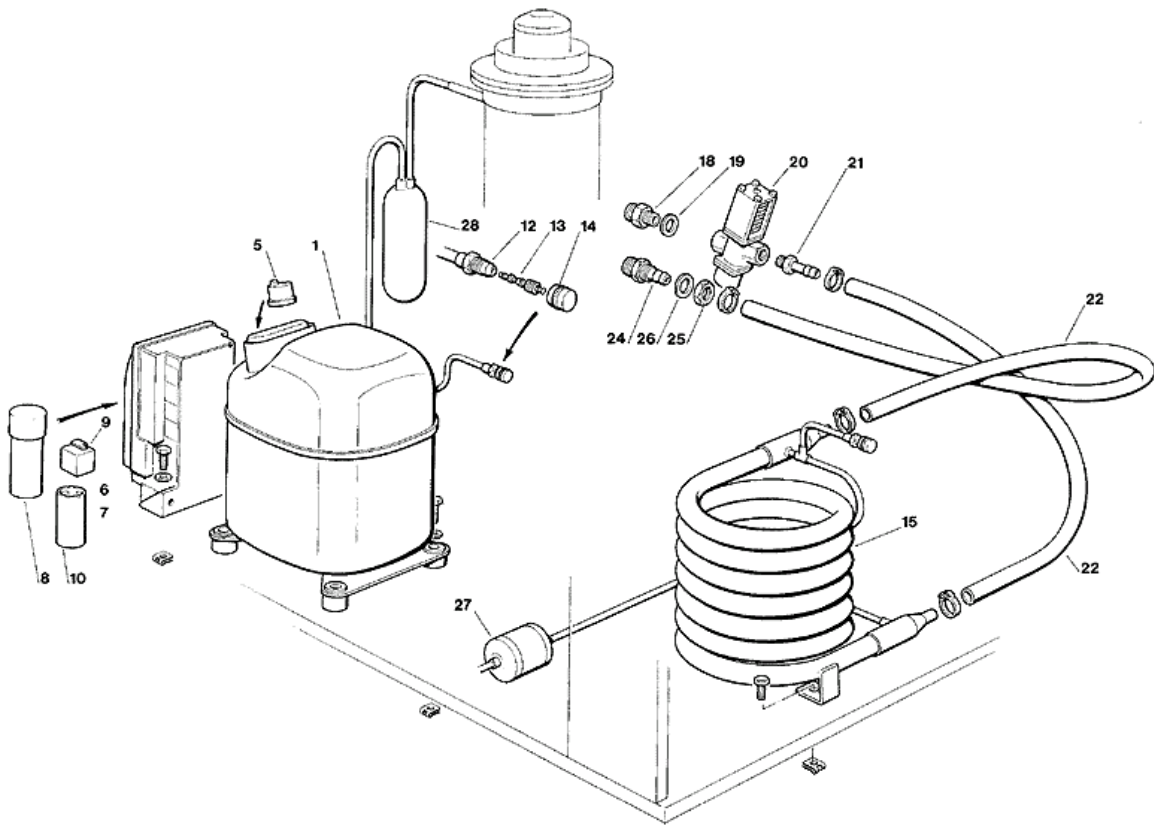
## 2 - REFRIGERANT SYSTEM AIR COOLED



## 2 - REFRIGERANT SYSTEM AIR COOLED

| POSITION | CODE       | DESCRIPTION                    |
|----------|------------|--------------------------------|
| 0001     | 670099 04  | COMPRESSOR - 230/50/1          |
| 0001     | 670099 09  | COMPRESSOR 230/60/1            |
| 0005     | 620058 78  | PROTECTOR MST 000ALKD          |
| 0005     | 620058 81  | PROTECTOR 230/60               |
| 0008     | 620167 21  | CAPACITOR - 15 MFD/400V        |
| 0009     | 620057 46  | RELAY - 230/50                 |
| 0009     | 620057 50  | RELAY - 230/60                 |
| 0010     | 620167 00  | START CAPACITOR 88-108MFD/330V |
| 0012     | 650109 00  | VALVE BODY                     |
| 0013     | 670012 00  | VALVE CORE                     |
| 0014     | 650106 00  | CAP                            |
| 0015     | 620436 00  | CONDENSER                      |
| 0019     | 620419 04  | FAN MOTOR - 230/50-60          |
| 0019     | 620419 65  | FAN MOTOR BRACKET              |
| 0020     | 620419 34  | FAN BLADE - 50HZ               |
| 0025     | 670006 01  | FILTER                         |
| 0026     | 784450 01R | SUCTION LINE/ACCUMULATOR       |

### 3 - REFRIGERANT SYSTEM WATER COOLED

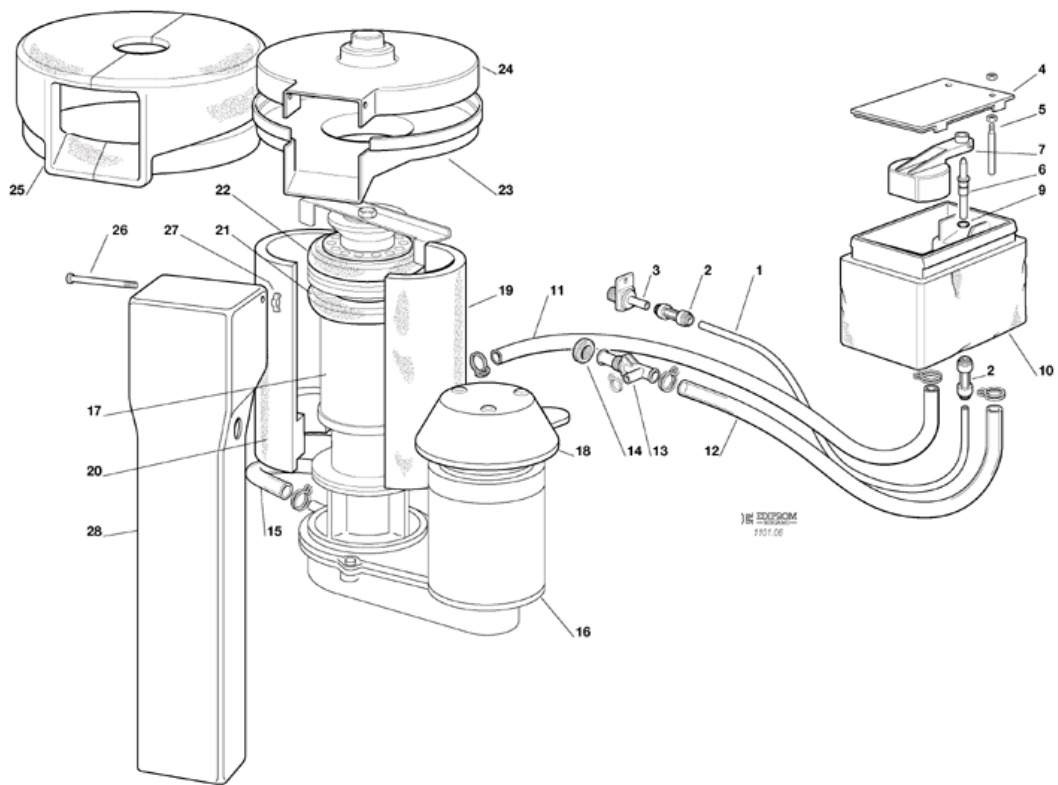


### 3 - REFRIGERANT SYSTEM WATER COOLED

| POSITION | CODE       | DESCRIPTION                    |
|----------|------------|--------------------------------|
| 0001     | 670099 04  | COMPRESSOR - 230/50/1          |
| 0001     | 670099 09  | COMPRESSOR 230/60/1            |
| 0005     | 620058 78  | PROTECTOR MST 000ALKD          |
| 0005     | 620058 81  | PROTECTOR 230/60               |
| 0008     | 620167 21  | CAPACITOR - 15 MFD/400V        |
| 0009     | 620057 46  | RELAY - 230/50                 |
| 0009     | 620057 50  | RELAY - 230/60                 |
| 0010     | 620167 00  | START CAPACITOR 88-108MFD/330V |
| 0012     | 650109 00  | VALVE BODY                     |
| 0013     | 670012 00  | VALVE CORE                     |
| 0014     | 650106 00  | CAP                            |
| 0015     | 620495 02  | CONDENSER                      |
| 0018     | 733204 00  | WATER INLET FITTING            |
| 0019     | 400031 01  | WASHER                         |
| 0020     | 620111 00  | WATER REGUL. VALVE             |
| 0021     | 650754 00  | WATER FITTING                  |
| 0022     | 281900 03  | TUBE 18X12                     |
| 0024     | 733174 00  | FITTING                        |
| 0025     | 400076 00  | NUT                            |
| 0026     | 400031 00  | WASHER                         |
| 0027     | 670006 01  | FILTER                         |
| 0028     | 784450 01R | SUCTION LINE/ACCUMULATOR       |



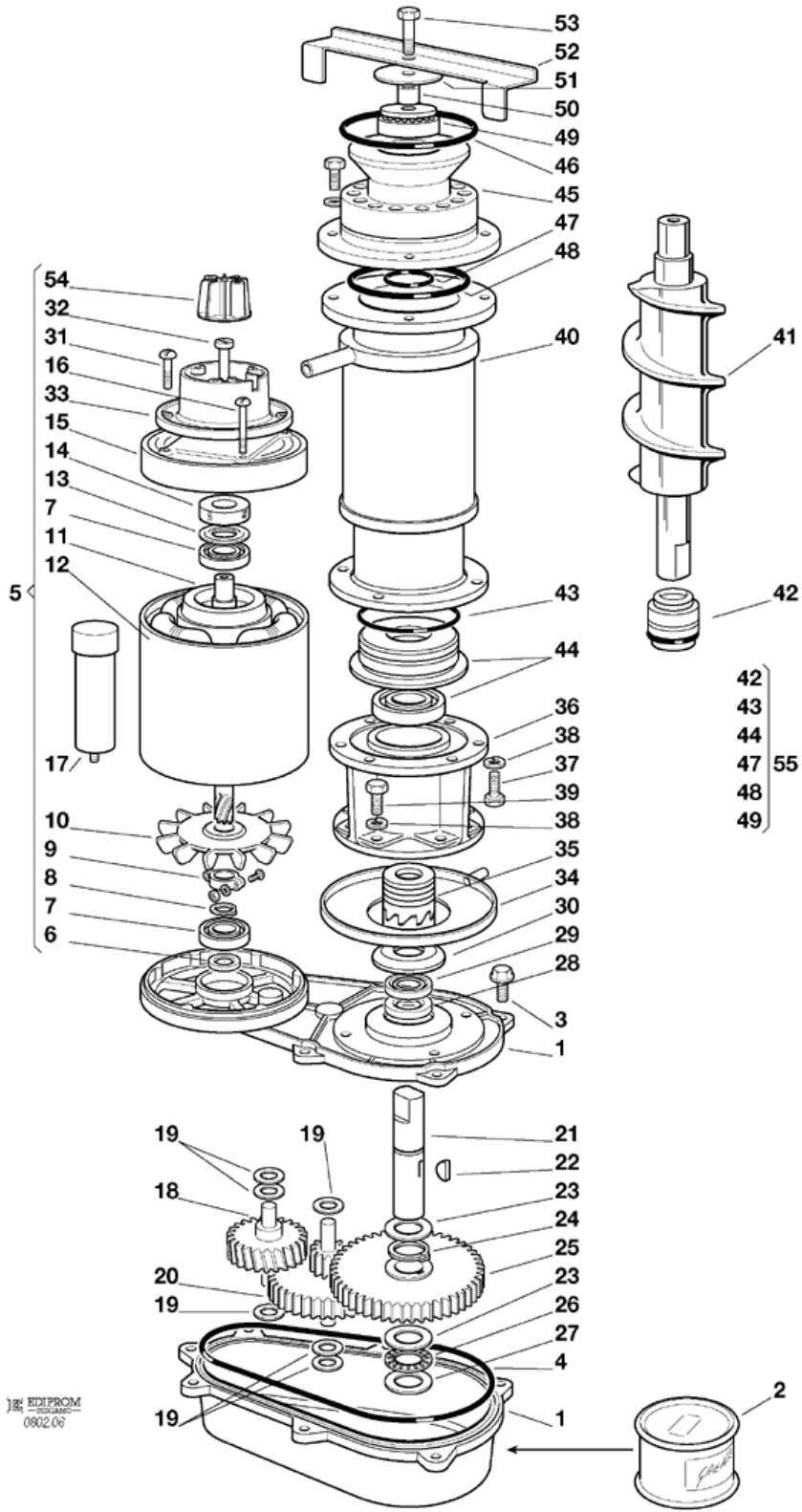
#### 4 - WATER SYSTEM AND INSULATIONS -



#### 4 - WATER SYSTEM AND INSULATIONS -

| POSITION | CODE       | DESCRIPTION                   |
|----------|------------|-------------------------------|
| 0001     | 651206 01  | WATER FITTING - 1/4"-1/8 BSPT |
| 0002     | 651224 04  | WATER FITTING                 |
| 0003     | 650104 00  | FILTER                        |
| 0003     | 660956 00  | PLASTIC WATER INLET FITTING   |
| 0004     | 660363 00  | COVER                         |
| 0005     | 724215 06  | WATER LEVEL METAL PIN         |
| 0006     | 660957 00  | PLASTIC NOZZLE                |
| 0007     | 660585 00  | FLOAT VALVE                   |
| 0009     | 640100 00  | O RING                        |
| 0010     | 660352 00  | INSULATION                    |
| 0010     | 660459 00  | WATER RESERVOIR ONLY          |
| 0011     | 281822 00  | PLASTIC HOSE                  |
| 0012     | 281832 00  | TUBE                          |
| 0013     | 660224 00  | TEE TUBE                      |
| 0014     | 660535 00  | PLASTIC NUT                   |
| 0015     | 610171 02  | TUBE                          |
| 0016     | 794215 08R | GEAR REDUCER ASSY             |
| 0017     | 794309 02R | FREEZER ASSY                  |
| 0017     | 794309 03R | FREEZER ASSY                  |
| 0018     | 660553 00  | GEAR MOTOR COVER              |
| 0019     | 060551 05  | KIT INSULATION, FREEZER       |
| 0020     | 060551 05  | KIT INSULATION, FREEZER       |
| 0021     | 650919 01  | ICE BREAKER BOTTOM INSULATION |
| 0022     | 650919 02  | ICE BREAKER TOP INSULATION    |
| 0023     | 660896 00  | ICE SPOUT - BOTTOM            |
| 0024     | 660897 00  | ICE SPOUT - TOP               |
| 0025     | 650919 00  | ICE SPOUT INSULATION          |
| 0026     | 724180 02  | TIE ROAD                      |
| 0027     | 430083 00  | NUT                           |
| 0028     | 660933 01  | ICE CHUTE                     |

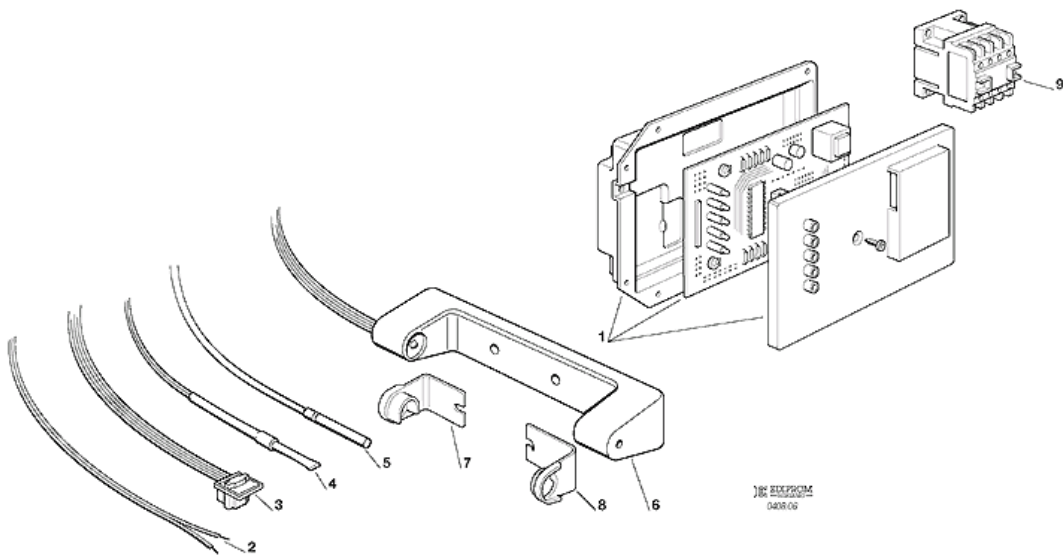
# 5 - FREEZER AND GEAR REDUCER ASSY -



## 5 - FREEZER AND GEAR REDUCER ASSY -

| POSITION | CODE        | DESCRIPTION                 |
|----------|-------------|-----------------------------|
| 0001     | 0A031230 01 | GEAR CASE                   |
| 0002     | 060294 01   | GREASE                      |
| 0003     | 03001251 01 | SCREW 5/16-18X1             |
| 0004     | 13000617 38 | O RING                      |
| 0005     | 060273 06   | MOTOR ONLY MFB              |
| 0006     | 02001606 00 | OIL SEAL                    |
| 0007     | 651053 00   | BEARING                     |
| 0008     | 441800 04   | WASHER                      |
| 0009     | 650341 00   | BRACKET                     |
| 0010     | 650340 00   | FAN                         |
| 0011     | 794216 00R  | ROTOR ASSY                  |
| 0012     | 620295 00   | STATOR                      |
| 0013     | 460041 00   | RING                        |
| 0014     | 640095 01   | RUBBER INSERT               |
| 0015     | 650339 00   | COVER                       |
| 0016     | 400078 00   | CONNECTOR                   |
| 0017     | 620520 01   | CAPACITOR                   |
| 0018     | 651156 00   | GEAR                        |
| 0019     | 03001408 24 | WASHER                      |
| 0020     | 651157 00   | GEAR                        |
| 0021     | 651159 00   | SHAFT                       |
| 0022     | 03001364 00 | KEY                         |
| 0023     | 02001681 00 | TRUST WASHER                |
| 0024     | 03001363 00 | CLIP RING                   |
| 0025     | 651158 00   | GEAR                        |
| 0026     | 02001680 00 | TRUST BEARING               |
| 0027     | 02001679 00 | TRUST WASHER                |
| 0028     | 02001607 01 | OIL SEAL                    |
| 0029     | 02002853 01 | OIL SEAL                    |
| 0030     | 13000709 02 | RUBBER GASKET               |
| 0031     | 400078 00   | CONNECTOR                   |
| 0032     | 03001403 77 | SCREW                       |
| 0033     | 650515 01   | MOTOR COVER                 |
| 0034     | 640000 00   | GASKET                      |
| 0034     | 660755 00   | DRIP PAN                    |
| 0035     | 060359 01   | KIT COUPLING                |
| 0036     | 764007 00   | BRACKET                     |
| 0037     | 420019 00   | SCREW                       |
| 0038     | 440015 04   | WASHER                      |
| 0039     | 429701 00   | SCREW                       |
| 0040     | 784459 02   | WORM TUBE                   |
| 0041     | 650921 01   | AUGER                       |
| 0041     | 650922 01   | AUGER                       |
| 0042     | 650402 00   | WATER SEAL                  |
| 0043     | 640093 00   | O RING                      |
| 0044     | 060688 00   | BOTTOM BEARING/RETAINER KIT |
| 0045     | 650920 00   | ICE BREAKER                 |
| 0045     | 651317 00   | ICE BREAKER                 |
| 0046     | 640041 33   | O RING                      |
| 0047     | 640109 00   | X RING                      |
| 0048     | 640093 03   | O RING                      |
| 0049     | 263612 00   | GREASE                      |
| 0049     | 651058 00   | BEARING                     |
| 0050     | 650998 00   | COLLAR                      |
| 0051     | 724443 00   | WASHER                      |
| 0052     | 724410 00   | ICE SWEEP                   |
| 0053     | 423915 01   | SCREW                       |
| 0054     | 784476 01   | MAGNETO ASSY                |
| 0055     | 060692 01   | KIT BEARING + SEAL          |

## 6 - P.C. BOARD AND SENSORS ASSY -



**6 - P.C. BOARD AND SENSORS ASSY -**

| <b>POSITION</b> | <b>CODE</b> | <b>DESCRIPTION</b> |
|-----------------|-------------|--------------------|
| 0001            | 620462 15   | PC BOARD           |
| 0002            | 620519 02   | WATER LEVEL SENSOR |
| 0003            | 620404 03   | HALL SENSOR        |
| 0004            | 620519 00   | CONDENSER SENSOR   |
| 0005            | 620519 01   | EVAPORATOR SENSOR  |
| 0006            | 650674 01   | ICE LEVEL CTL.     |
| 0007            | 660720 00   | PLASTIC COVER      |
| 0008            | 660720 01   | PLASTIC COVER      |
| 0009            | 630119 00   | CONTACTOR          |