

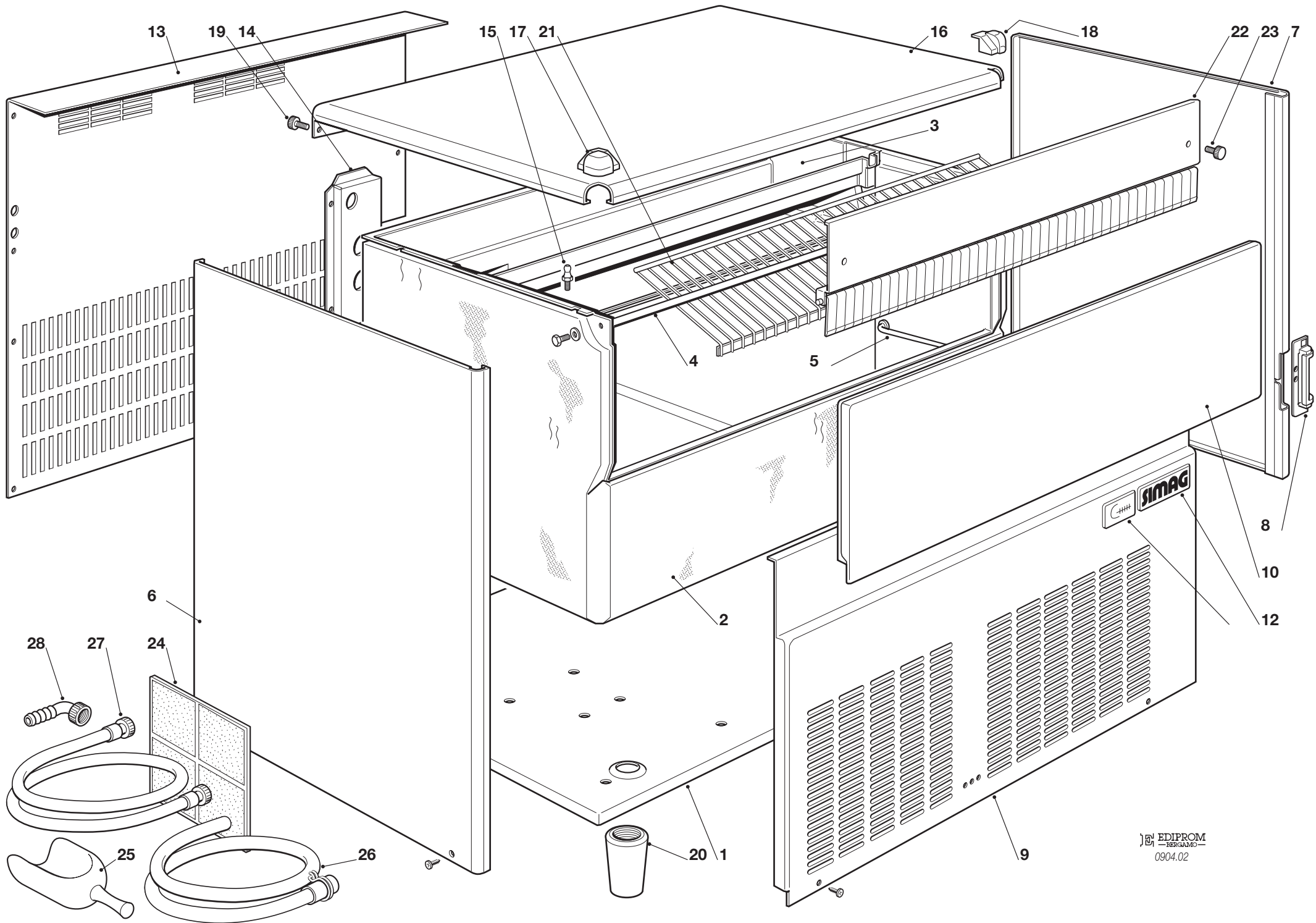
SIMAG

SDE 170 **SDE 220**

R 404 A VERSION
HE (High Efficiency)

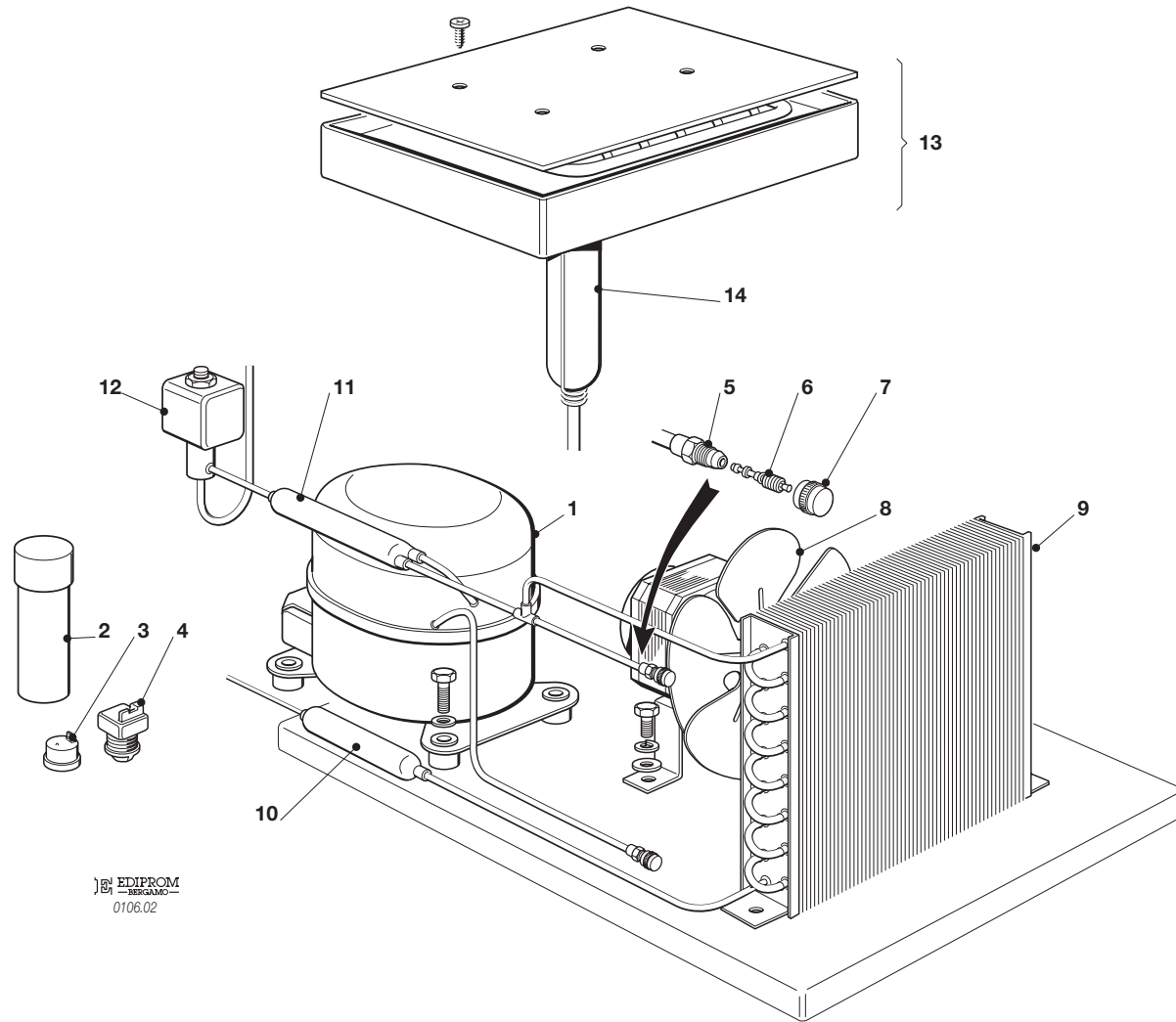
SPARE PARTS LIST
CATALOGO RICAMBI
CATALOGUE PIÈCES DÉTACHÉES
ERSATZTEILENKATALOG

PAGE PAGINA PAGE SEITE	TABLE OF CONTENTS	INDICE	TABLE DES MATIERES	INHALTVERZEICHNIS
1	TABLE OF CONTENTS	INDICE	TABLE DES MATIERES	INHALTVERZEICHNIS
2/3	UNIT PANELS	ASSIEME MOBILE	ENS. CAROSSERIE	MACHINE GEHAUSE
4/5	REFRIGERANT SYSTEM AIR COOLED	SISTEMA REFRIGERANTE RAFFR. AD ARIA	CIRCUIT FRIGORIFIQUE REFROID. A AIR	GEFRIERSYSTEM LUFTGEKUEHLT
6/7	REFRIGERANT SYSTEM WATER COOLED	SISTEMA REFRIGERANTE RAFFR. AD ACQUA	CIRCUIT FRIGORIFIQUE REFROID. A EAU	GEFRIERSYSTEM WASSERGEKUEHLT
8/9	WATER SYSTEM	CIRCUITO IDRAULICO	CIRCUIT HYDRAULIQUE	WASSER SYSTEM
10/11	CONTROL BOX	SCATOLA DI CONTROLLO	BOITE ELECTRIQUE	SCHALTSCHRANK



SDE 170-220 - UNIT PANELS - ASSIEME MOBILE - ENS. CARROSSERIE - MACHINE GEHAUSE

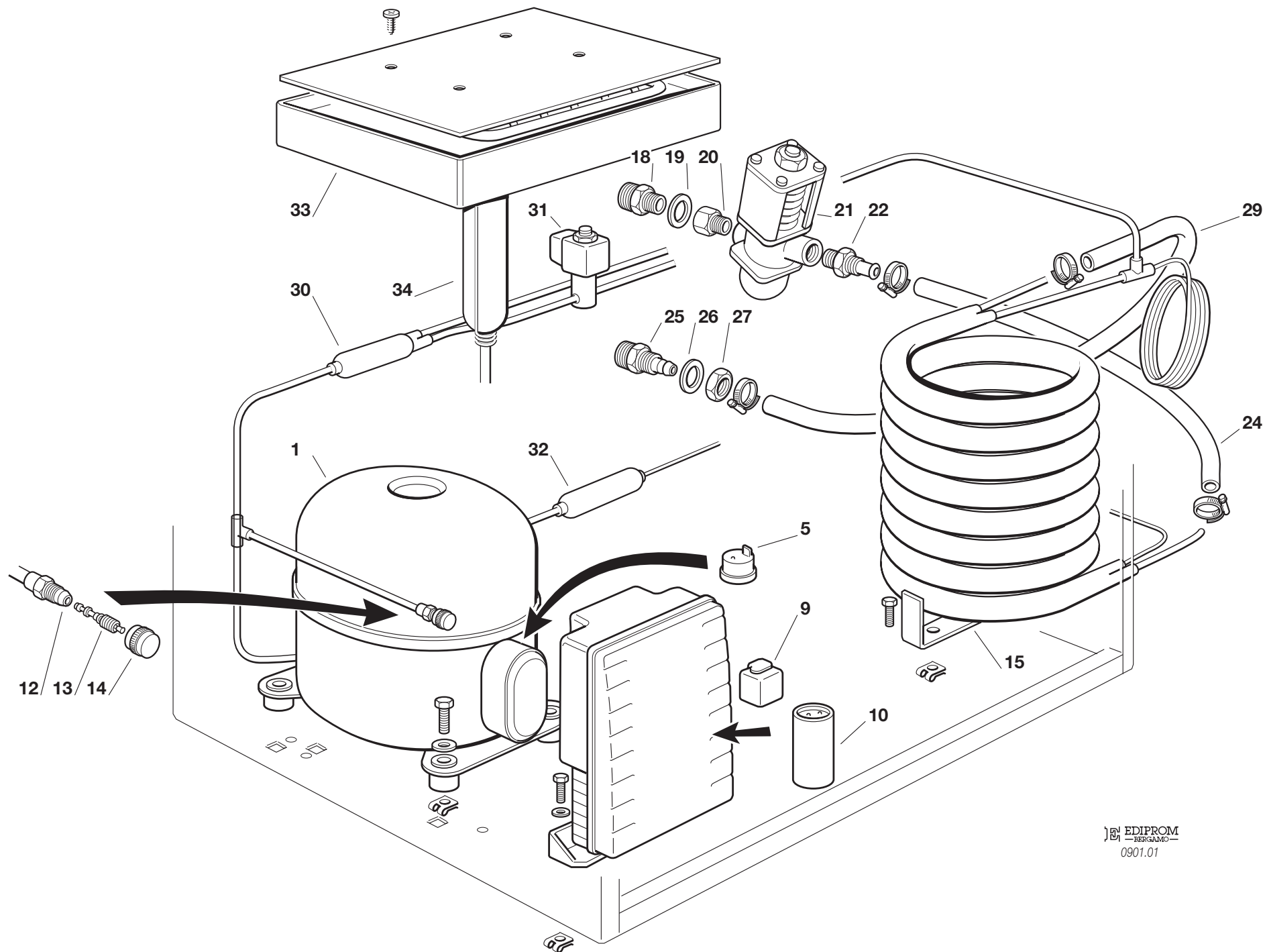
ITEM NO POS. NO REP. NO REF. NO	PART NO CODICE REFERENCE STUECK NR	DESCRIPTION	DESCRIZIONE	DESIGNATION	BESCHREIBUNG
1	781406 18	BASE	PIASTRA DI BASE	PLAQUE DE BASE	GRUNDPLATTE
2	060524 05 060524 06	INSULATED BIN ASSY SDE 170 INSULATED BIN ASSY SDE 220	ASSIEME CELLA ISOLATA SDE 170 ASSIEME CELLA ISOLATA SDE 220	ENS. CABINE SDE 170 ENS. CABINE SDE 220	ISOLIEREISSPEICHER SDE 170 ISOLIEREISSPEICHER SDE 220
3	Z1CE011	EVAPORATOR HOUSING	INVOLUCRO EVAPORATORE	CHAMBRE INTERIEUR	CELLE INTERN
4	732016 11	BIN DOOR BRACKET	ASTA SPORTELLO	TIGE PORTE	KLAPPENACHSE
5	732017 02	BULB HOLDER	TUBO PORTABULBO	TUBE PORTEBULBE	FUEHLERHALTER
6	722382 00 722386 00	LEFT SIDE PANEL SDE 170 LEFT SIDE PANEL SDE 220	PANNELLO SINISTRO SDE 170 PANNELLO SINISTRO SDE 220	JOUE GAUCHE SDE 170 JOUE GAUCHE SDE 220	LINK. GEHÄUS. EDELST. SDE 170 LINK. GEHÄUS. EDELST. SDE 220
7	722381 00 722385 00	RIGHT SIDE PANEL SDE 170 RIGHT SIDE PANEL SDE 220	PANNELLO DESTRO SDE 170 PANNELLO DESTRO SDE 220	JOUE DROITE SDE 170 JOUE DROITE SDE 220	RECH. GEHÄUS. EDELST. SDE 170 RECH. GEHÄUS. EDELST. SDE 220
8	660883 00	FRONT SWITCH PLASTIC PROT	CARTER PROTEZIONE INTERRUPT	CARTER PROTECTION INTERRUPT	SCHALTERABDECKUNG
9	722380 00 722387 00	FRONT PANEL SDE 170 FRONT PANEL SDE 220	PANNELLO ANTERIORE SDE 170 PANNELLO ANTERIORE SDE 220	PANNEAU AVANT SDE 170 PANNEAU AVANT SDE 220	VORDERE WAND ED.T. SDE 170 VORDERE WAND ED.T. SDE 220
10	060491 26	BIN DOOR	SPORTELLO	PORTE CABINE	SPEICHERTUER
12	651544 00	SIMAG LOGO	TARGHETTA SIMAG	EMBLEME SIMAG	SIMAG ABGEBILDET
13	702567 00 702576 00	REAR PANEL SDE 170 REAR PANEL SDE 220	PANNELLO POSTERIORE SDE 170 PANNELLO POSTERIORE SDE 220	PANNEAU POSTERIEUR SDE 170 PANNEAU POSTERIEUR SDE 220	HINTERE ABDECKUNG SDE 170 HINTERE ABDECKUNG SDE 220
14	702334 00	METAL BRACKET FOR FITTING	SUPPORTO ATTACCHI	SUPPORT DE RACCORDS	METALLTRÄGER
15	650790 00	STUD	PERNO	AXE	STIFT
16	722383 00	TOP PANEL	PANNELLO SUPERIORE INOX	ENS. COUVERCLE	DECKEL GESAMTHEIT
17	660884 01	LEFT TOP CAP	TAPPO IN PLASTICA SINISTRO	CAPUCHON EN PLAST. GAUCHE	PLASTIK PROFEN LINK
18	660884 00	RIGHT TOP CAP	TAPPO IN PLASTICA DESTRO	CAPUCHON EN PLAST. DROITE	PLASTIK PROFEN RECHT
19	650806 00	REAR STUD	PERNO POSTERIORE	AXE ARRIÈRE	TRÄGEN - HINTEN
20	651469 00	LEG	PIEDE REGOLABILE	PIED RÉGLABE	GERÄTEFUSS
21	Z1AC005	ICE DEFLECTOR	GRIGLIA SCORRIMENTO CUBETTI	GRILLE GLISSEMENT GLAÇON	ABGLEITGRILL
22	060524 10	CURTAIN ASSY	ASSIEME TENDINA	ENS. LAMELLE	ABDECKKLAPPE GESAMTHEIT
23	Z1AC015	KNURLED SCREW	VITE GODRONATA	VIS MOLETÉE	SCHRAUBE
24	660515 03	AIR FILTER	FILTRO ARIA	FILTRE A AIR	LUFT FILTER
25	650071 00	ICE SCOOP	SESSOLA	SASSE	EISSCHAUFEL
26	060513 01	KIT WATER DRAIN PIPE	KIT TUBO SCARICO ACQUA	KIT TUYAU VIDANGE EAU	WASSER SLAUFSCHLAUCH
27	670007 04	KIT WATER SUPPLY PIPE	KIT TUBO ALIM. ACQUA	KIT TUYAU D'ALIM. EAU	WASSER ANSCHLUSSSCHLAUCH
28	Z1AD011	ELBOW WITH RING NUT	CURVA CON GHIERA	COUDE AVEC BAGUE	KRUMMER



EDIPROM
BERGAMO
0106.02

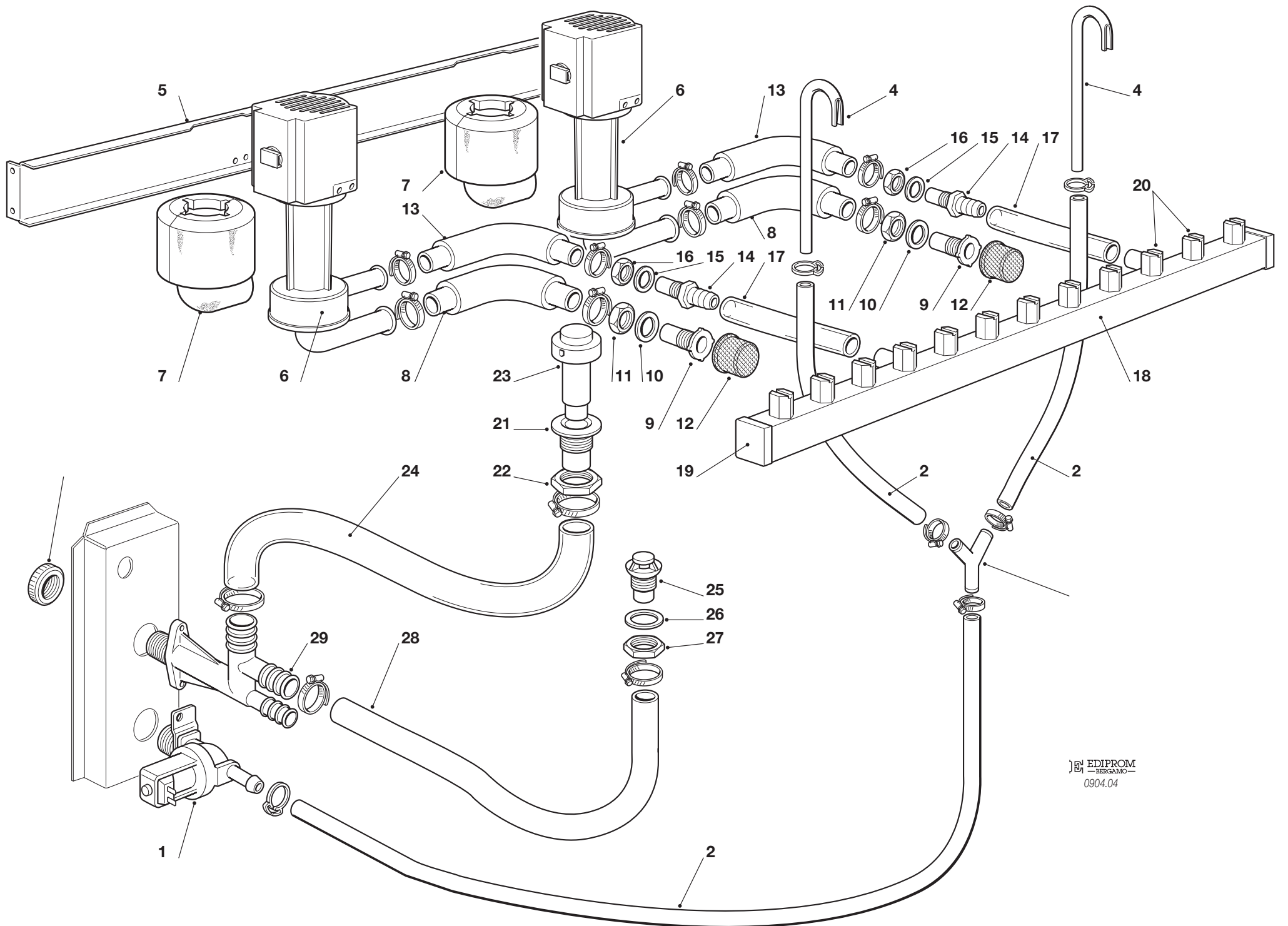
SDE 170-220 - REFRIGERANT SYSTEM AIR COOLED - SISTEMA REFRIGERANTE RAFFR. AD ARIA
CIRCUIT FRIGORIFIQUE REFROID. PAR EAU - WASSERGEKÜHLT GEFRIERSYSTEM

ITEM NO POS. NO REP. NO REF. NO	PART NO CODICE REFERENCE STUECK NR	DESCRIPTION	DESCRIZIONE	DESIGNATION	BESCHREIBUNG
1	670099 04 670099 05	COMPRESSOR - SDE 170 COMPRESSOR - SDE 220	COMPRESSORE - SDE 170 COMPRESSORE - SDE 220	COMPRESSEUR - SDE 170 COMPRESSEUR - SDE 220	KOMPRESSOR - SDE 170 KOMPRESSOR - SDE 220
2/a	620167 00 620167 00	START CAPACITOR SDE 170 START CAPACITOR SDE 220	CONDENS. DI SPUNTO SDE 170 CONDENS. DI SPUNTO SDE 220	CAPACITE'/DEMARRAGE SDE 170 CAPACITE'/DEMARRAGE SDE 220	START KONDENSATOR SDE 170 START KONDENSATOR SDE 220
2/b	620167 21 620167 24	RUN CAPACITOR SDE 170 RUN CAPACITOR SDE 220	CONDENS. DI MARCIA SDE 170 CONDENS. DI MARCIA SDE 220	CAPACITE' PERMANENCE SDE 170 CAPACITE' PERMANENCE SDE 220	BETRIEB KONDENSATOR SDE 170 BETRIEB KONDENSATOR SDE 220
3	620058 78 620058 57	PROTECTOR SDE 170 PROTECTOR SDE 220	PROTETTORE SDE 170 PROTETTORE SDE 220	PROTECTEUR SDE 170 PROTECTEUR SDE 220	SCHUTZGERAT SDE 170 SCHUTZGERAT SDE 220
4	620057 46 620057 47	RELAY SDE 170 RELAY SDE 220	RELE' SDE 170 RELE' SDE 220	RELAIS SDE 170 RELAIS SDE 220	RELAIS SDE 170 RELAIS SDE 220
5	650109 00	VALVE BODY	CORPO VALVOLA	CORPS DE VANNE	VENTILGEHAUSE
6	670012 00	VALVE PISTON	PISTONCINO VALVOLA	PISTON	VENTILKOLBEN
7	650106 00	VALVE CAP	CAPPUCCIO VALVOLA	CAPUCHON DE VANNE	VENTILKLAPPE
8	620419 04 620419 34	FAN MOTOR BLADE	MOTOVENTILATORE VENTOLA	MOTO-VENTILATEUR HELICE	LÜFTERMOTOR FLÜGEL
9	620436 00 620434 00	AIR COOLED CONDENSER SDE 170 AIR COOLED CONDENSER SDE 220	CONDENSATORE ARIA SDE 170 CONDENSATORE ARIA SDE 220	CONDENSEUR SDE 170 CONDENSEUR SDE 220	KONDENSATOR SDE 170 KONDENSATOR SDE 220
10	670006 01	DRIER	FILTRO DEUMIFICATORE	FILTRE DESHYDRATEUR	TROCKNER
11	630137 01	MECHANICAL FILTER	FILTRO MECCANICO	FIL TRE MECANIQUE	MECHANISCHFIL TERN
12	620306 48 620306 46	HOT GAS VALVE COIL HOT GAS VALVE BODY	BOBINA VALVOLA GAS CALDO CORPO VALVOLA GAS CALDO	BOBINE VANNE GAZ CHAUDS CORP VANNE GAZ CHAUDS	HEISSGAZ VENTIL SPULE VENTILGEHAUSE
13	784700 00R	EVAPORATOR ASSY	ASSIEME EVAPORATORE	ENS. EVAPORATEUR	VERDAMPFER
14	784484 01 784484 03	ACCUMULATOR ASSY SDE 170 ACCUMULATOR ASSY SDE 220	ASSIEME ACCUMULAT. SDE 170 ASSIEME ACCUMULAT. SDE 220	ENS. ACCUMULATEUR SDE 170 ENS. ACCUMULATEUR SDE 220	SAMMLER/ SAUGLEIT. SDE 170 SAMMLER/ SAUGLEIT. SDE 220



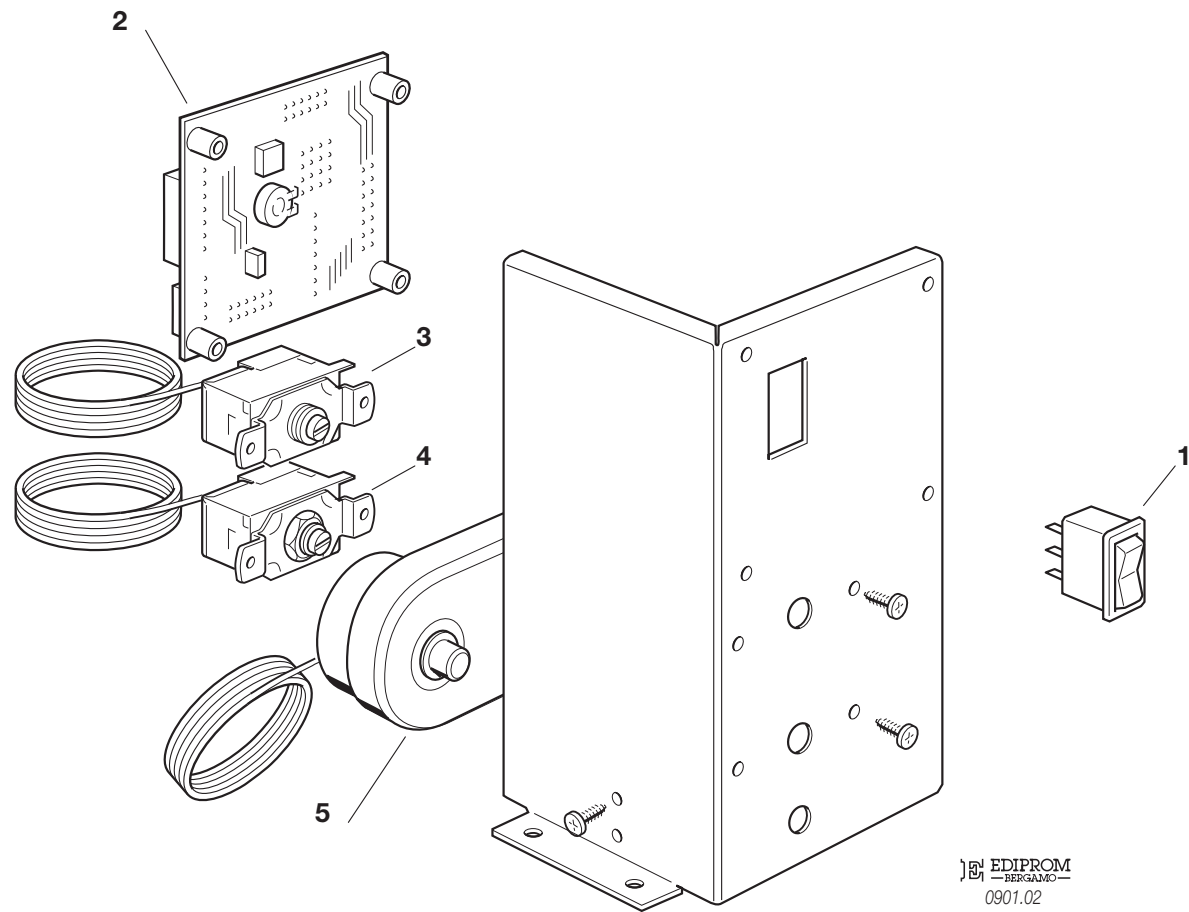
**SDE 170-220 - REFRIGERANT SYSTEM WATER COOLED - SISTEMA REFRIGERANTE RAFFR. AD ACQUA
CIRCUIT FRIGORIFIQUE REFROID. PAR EAU - WASSERGEKÜHLT GEFRIERSYSTEM**

ITEM NO POS. NO REP. NO REF. NO	PART NO CODICE REFERENCE STUECK NR	DESCRIPTION	DESCRIZIONE	DESIGNATION	BESCHREIBUNG
1	670099 04 670099 05	COMPRESSOR - SDE 170 COMPRESSOR - SDE 220	COMPRESSORE - SDE 170 COMPRESSORE - SDE 220	COMPRESSEUR - SDE 170 COMPRESSEUR - SDE 220	KOMPRESSOR - SDE 170 KOMPRESSOR - SDE 220
5	620058 78 620058 57	PROTECTOR SDE 170 PROTECTOR SDE 220	PROTETTORE SDE 170 PROTETTORE SDE 220	PROTECTEUR SDE 170 PROTECTEUR SDE 220	SCHUTZGERAT SDE 170 SCHUTZGERAT SDE 220
9	620057 46 620057 47	RELAY SDE 170 RELAY SDE 220	RELE' SDE 170 RELE' SDE 220	RELAIS SDE 170 RELAIS SDE 220	RELAIS SDE 170 RELAIS SDE 220
10/a	620167 00 620167 00	START CAPACITOR SDE 170 START CAPACITOR SDE 220	CONDENS. DI SPUNTO SDE 170 CONDENS. DI SPUNTO SDE 220	CAPACITE'/DEMARRAGE SDE 170 CAPACITE'/DEMARRAGE SDE 220	START KONDENSATOR SDE 170 START KONDENSATOR SDE 220
10/b	620167 21 620167 24	RUN CAPACITOR SDE 170 RUN CAPACITOR SDE 220	CONDENS. DI MARCIA SDE 170 CONDENS. DI MARCIA SDE 220	CAPACITE' PERMANENCE SDE 170 CAPACITE' PERMANENCE SDE 220	BETRIEB KONDENSATOR SDE 170 BETRIEB KONDENSATOR SDE 220
12	650109 00	VALVE BODY	CORPO VALVOLA	CORPS DE VANNE	VENTILGEHAUSE
13	670012 00	VALVE PISTON	PISTONCINO VALVOLA	PISTON	VENTILKOLBEN
14	650106 00	VALVE CAP	CAPPUCCIO VALVOLA	CAPUCHON DE VANNE	VENTILKLAPPE
15	620495 02 620495 00	WATER CONDENSER SDE 170 WATER CONDENSER SDE 220	CONDENSATORE ACQUA SDE 170 CONDENSATORE ACQUA SDE 220	CONDENSEUR SDE 170 CONDENSEUR SDE 220	WASSER KONDENSATOR SDE 170 WASSER KONDENSATOR SDE 220
18	400053 00	NUT	DADO	ECROU	MUTTER
19	400052 00	WASHER	RONDELLA	RONDELLE	SCHEIBE
20	733204 00	WATER INLET FITTING	RACCORDO INGRESSO ACQUA	RACCORD ARRIVE'E D'EAU	WASSER EINLAUFSTÜCK
21	620111 00	WATER REGUL. VALVE	VALVOLA PRESSOSTATICA	VANNE A EAU PRESSOSTATIQUE	WASSERREGLERVENTIL
22	783208 02	COUPLING	RACCORDO FLANGIATO	RACCORD SORTIE EAU	WASSERREGLEREABFLUSSSTUECK
24	281900 01	TUBE	TUBO IN PVC PER METRO	TUYAU EN PLAST. POUR METRE	PLASTIK ROHR-PRO METER
25	660291 00	TEE TUBE		RACCORD EVACUATION 3/4 GAS	3/4 GAS SCHLAUCH
26	400031 00	FIBER WASHER	RONDELLA IN FIBRA	RONDELLE EN FIBRE	FIBER SCHEIBE
27	400030 01	NUT	DADO	ECROU	MUTTER
29	281900 01	TUBE	TUBO IN PVC PER METRO	TUYAU EN PLAST. POUR METRE	PLASTIK ROHR-PRO METER
30	630137 01	MECHANICAL FILTER	FILTRO MECCANICO	FIL TRE MECANIQUE	MECHANISCHFIL TERN
31	620306 48 620306 46	HOT GAS VALVE COIL HOT GAS VALVE BODY	BOBINA VALVOLA GAS CALDO CORPO VALVOLA GAS CALDO	BOBINE VANNE GAZ CHAUDS CORP VANNE GAZ CHAUDS	HEISSGAZ VENTIL SPULE VENTILGEHAUSE
32	670006 01	DRIER	FILTRO DEUMIDIFICATORE	FILTRE DESHYDRATEUR	TROCKNER
33	784700 00R	EVAPORATOR ASSY	ASSIEME EVAPORATORE	ENS. EVAPORATEUR	VERDAMPFER
34	784484 01 784484 03	ACCUMULATOR ASSY SDE 170 ACCUMULATOR ASSY SDE 220	ASSIEME ACCUMULAT. SDE 170 ASSIEME ACCUMULAT. SDE 220	ENS. ACCUMULATEUR SDE 170 ENS. ACCUMULATEUR SDE 220	SAMMLER/ SAUGLEIT. SDE 170 SAMMLER/ SAUGLEIT. SDE 220



SDE 170-220 - WATER SYSTEM - CIRCUITO IDRAULICO - CIRCUIT HYDRAULIQUE - WASSERSYSTEM

ITEM NO POS. NO REP. NO REF. NO	PART NO CODICE REFERENCE STUECK NR	DESCRIPTION	DESCRIZIONE	DESIGNATION	BESCHREIBUNG
1	650105 54	WATER INLET VALVE	ELETTRORVALVOLA	ELECTROVANNE	ELEKTROMAGNETVENTIL
2	281900 01	PLASTIC TUBE - PER METER	TUBO INGRESSO ACQUA	TUYAU EN PLASTIQUE - POUR MT.	PLASTIK ROHR - PRO METER
4	734683 00R	WATER INLET COPPER PIPE	TUBO RAME INGR. ACQUA	TUYAU ENTREE EAU CUIVRE	WASSEREINLAUFROHR - CUPPER
5	703228 00	METAL BRACKET	SUPPORTO POMPA	SUPPORT METALLIQUE	METAL TRAEGER
6	620415 00	WATER PUMP	POMPA	POMPE A EAU	WASSER PUMPE
7	Z1ID043	PUMP COVER INSULATION	ISOLAMENTO POMPA	COUPELLE POUR POMPE	PUMPENISOLATION
8	610189 01	PUMP FEEDING PIPE	TUBO ASPIRAZIONE POMPA	TUYAU D'ASPIRATION POMPE	PUMPENANSAUGSCHLAUCH
9	Z1AC029	PUMP FEEDING PIPE-FIXING	RACCORDO ASPIRAZ. POMPA	RACCORD ASPIRATION POMPE	ANSAUGANSCHLUSSTUCK
10	Z1AC014	WASHER	RONDELLA	RONDELLE	UNTERLEGSCHIEBE
11	Z1AC017	NUT	DADO	ECROU	MUTTER TUERCA
12	Z1AC012	PUMP FEEDING FILTER	FILTRO ASPIRAZIONE POMPA	FILTRE ASPIRATION POMPE	PUMPENANSAUGFILTER
13	Z1ID006	PUMP INLET WATER PIPE	TUBO MANDATA POMPA	TUYAU DE REFOULEMENT	PUMPENABFLUSSSCHLAUCH
14	Z1AC030	PUMP INLET WATER PIPE-FIXING	RACCORDO MANDATA POMPA	RACCORD REFOULEMENT POMPE	PUMPENABFLUSSANSCHLUSSTUCK
15	Z1AC013	WASHER	RONDELLA	RONDELLE	UNTERLEGSCHIEBE
16	Z1AC016	NUT	DADO	ECROU	MUTTER TUERCA
17	281830 04	SPRAY BAR FEEDING PIPE	TUBO ALIMENTAZIONE COLLETT.	TUYAU D'ALIMENTATION EAU	ANSCHLUSSSCHLAUCH KOLLEKTOR
18	650665 11	SPRAY BAR	TUBO SPRUZZATORE	COLLECTEUR	KOLLEKTOR
19	660557 00	PLUG	UGELLO SPRUZZATORE	BOUCHON POUR COLLECTEUR	STOPFEN
20	660558 00	SPRAY JET	SPRUZZATORI	GICLEURS	SPRÜHDÜSEN
21	Z1AC057	OVERFLOW EXHAUST	RACCOR. SCARICO TROPPO PIENO	RACCORD E'COULEM. TROP-PLEIN	ÜBERLAUFROHR
22	Z1AC058	NUT	DADO	ECROU	MUTTER TUERCA
23	660601 00	OVERFLOW STAND PIPE	TUBO DI TROPPO PIENO	TROP PLEIN	UEBERLAUFROHR
24	Z1ID028	OVERFLOW DRAIN TUBE	TUBO SCARICO TROPPO PIENO	TUYAU VIDANGE TROP PLAIN	BEHÄLTER ABLAUF
25	Z1AC028	DRAIN FILTER	DRAIN FILTER	FILTRE CABINE STOCKAGE	BEHÄLTER ABLAUF FILTER
26	Z1AC013	WASHER	RONDELLA	RONDELLE	UNTERLEGSCHIEBE
27	Z1AC016	NUT	DADO	ECROU	MUTTER TUERCA
28	610189 00	STORAGE BIN DRAIN TUBE	TUBO SCARICO CONTENITORE	TUYAU VIDANGE CONTENEUR	BEHÄLTERAUSLAUFSCHLAUCH
29	Z1ID025	WATER DRAIN FITTING	RACCORDO SCARICO ACQUA	RACCORD EVACUATION EAU	WASSERABFLUSSANSCHLUSSE



EDIPROM
—BERGAMO—
0901.02

SDE 170-220 - CONTROL BOX - SCATOLA DI CONTROLLO - BOITE ELECTRIQUE - SCHALTSCHRANK

ITEM NO POS NO REP. NO REF. NO	PART NO CODICE REFERENCE STUECK NR	DESCRIPTION	DESCRIZIONE	DESIGNATION	BESCHREIBUNG
1	620453 00	SWITCH	INTERRUTTORE LUMINOSO	INTERRUPTEUR LUMINEUX	SCHALTER
2	620507 01	TIMER	T IMER	M INUTERIE	T IMER
3	620201 01	EVAPORATOR THERMOSTAT	THERMOSTATO EVAPORATORE	THERMOSTAT EVAPORATEUR	VERDAMPFER THERMOSTAT
4	630005 00	BIN THERMOSTAT	THERMOSTATO CONTENITORE	THERMOSTAT CONTENEUR	BEHÄLTER THERMOSTAT
5	620508 00	PRESSURE SAFETY	PRESSOSTATO DI SICUREZZA	PRESSOSTAT DE SECURITÉ	SICHERHEITS DRUCKWACTER

SIMAG

ICE MACHINES

www.simag.it

SIMAG
via Risorgimento, 4
20017 Mazzo di Rho (MI) - Italy
Tel. +39 02 93900215 (Commerciale - Sales Dept.)
Tel. +39 02 93960357 (Assistenza - Service Dept.)
Fax +39 02 93900226 (Commerciale - Sales Dept.)
Fax +39 02 93960366 (Assistenza - Service Dept.)
e-mail: sales@simag.it
e-mail: service@simag.it

Singapore Office
SIMAG FAR EAST
627A Aljunied Road
04-04 Biztech Centre
Singapore 389842
Tel. ++65 6738 5393
Fax ++65 6738 1959
e-mail: scotsice@singnet.com.sg



Certified ISO 9001
TOTAL QUALITY

