

# **SIMAG**

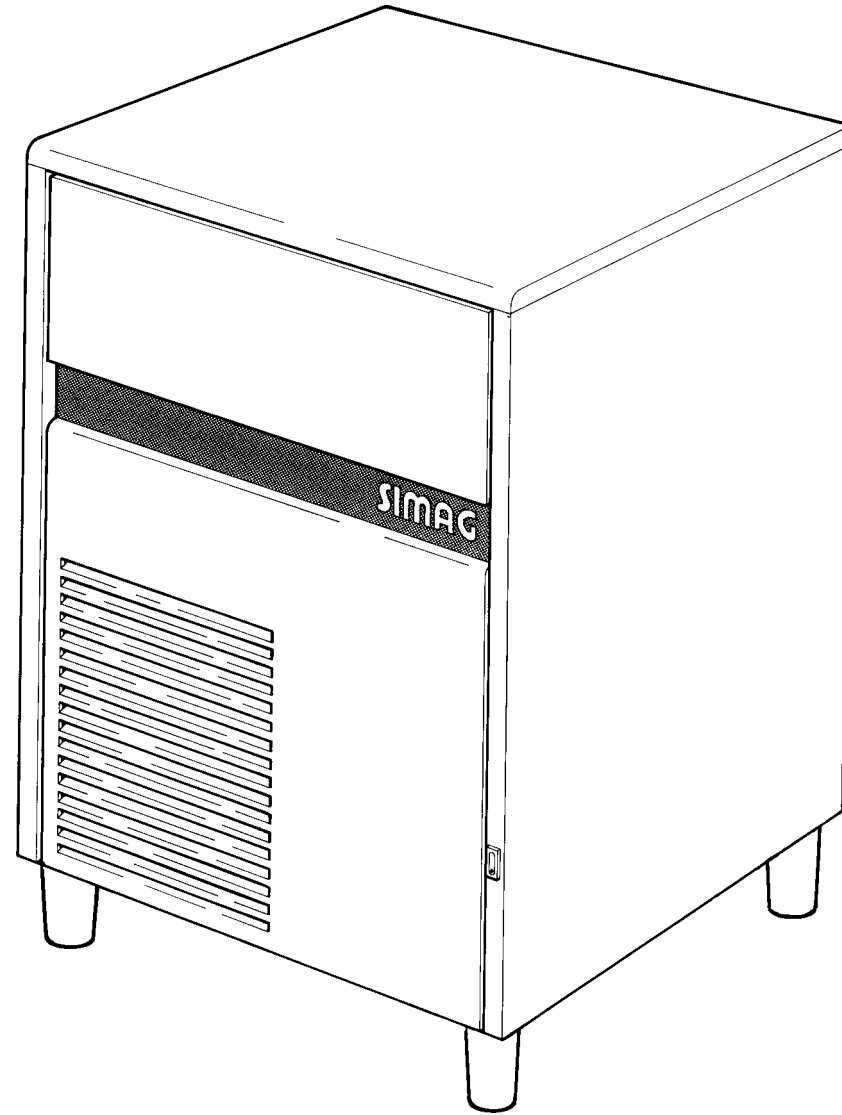
## **SD 80**

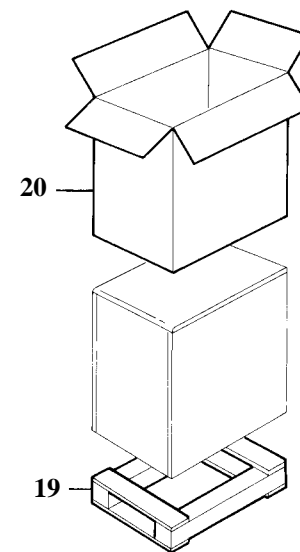
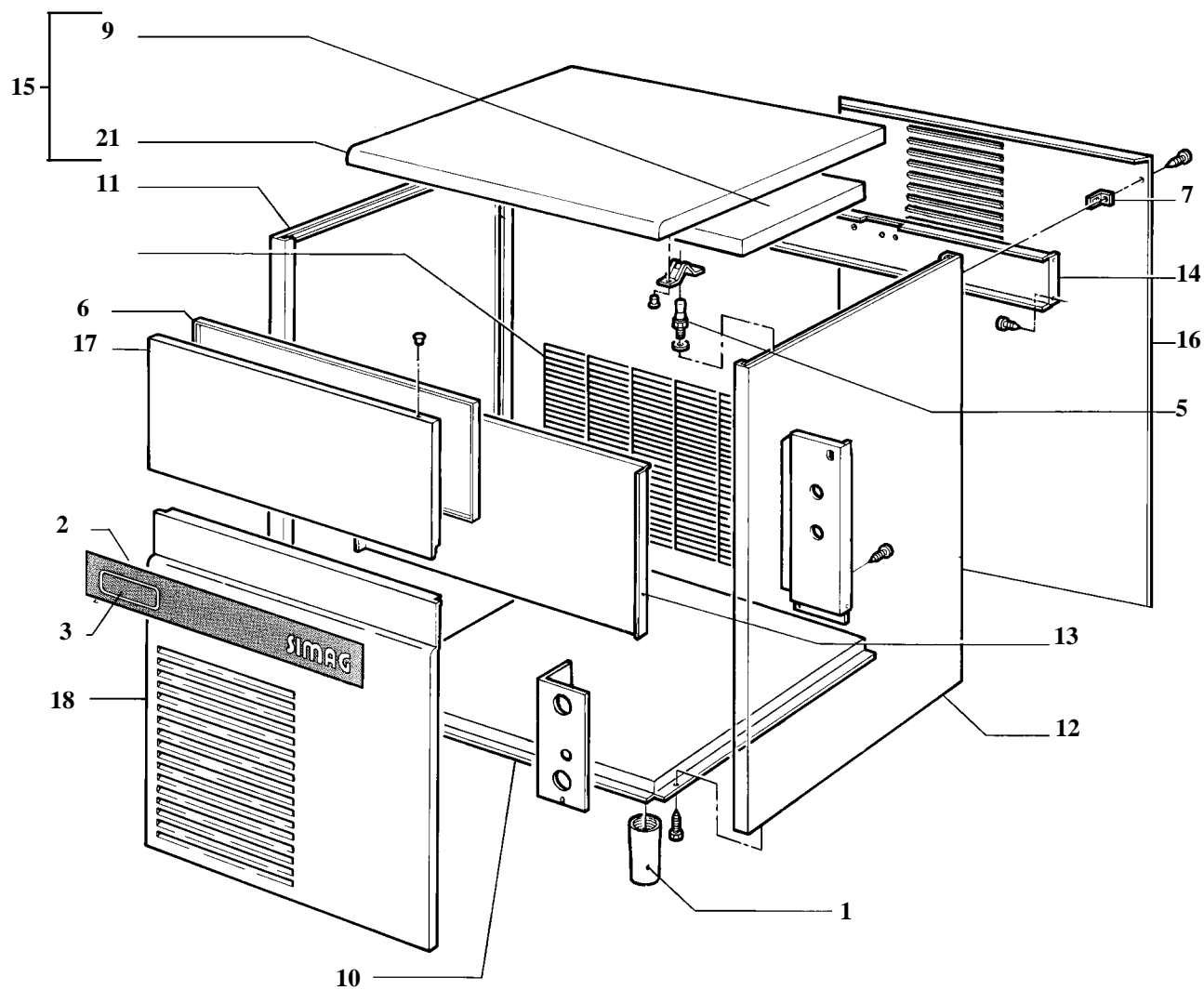
**"J" SERIES**

**R 134 A VERSION**

**SPARE PARTS LIST  
CATALOGO RICAMBI  
CATALOGUE PIÈCES DÉTACHÉES  
ERSATZTEILENKATALOG**

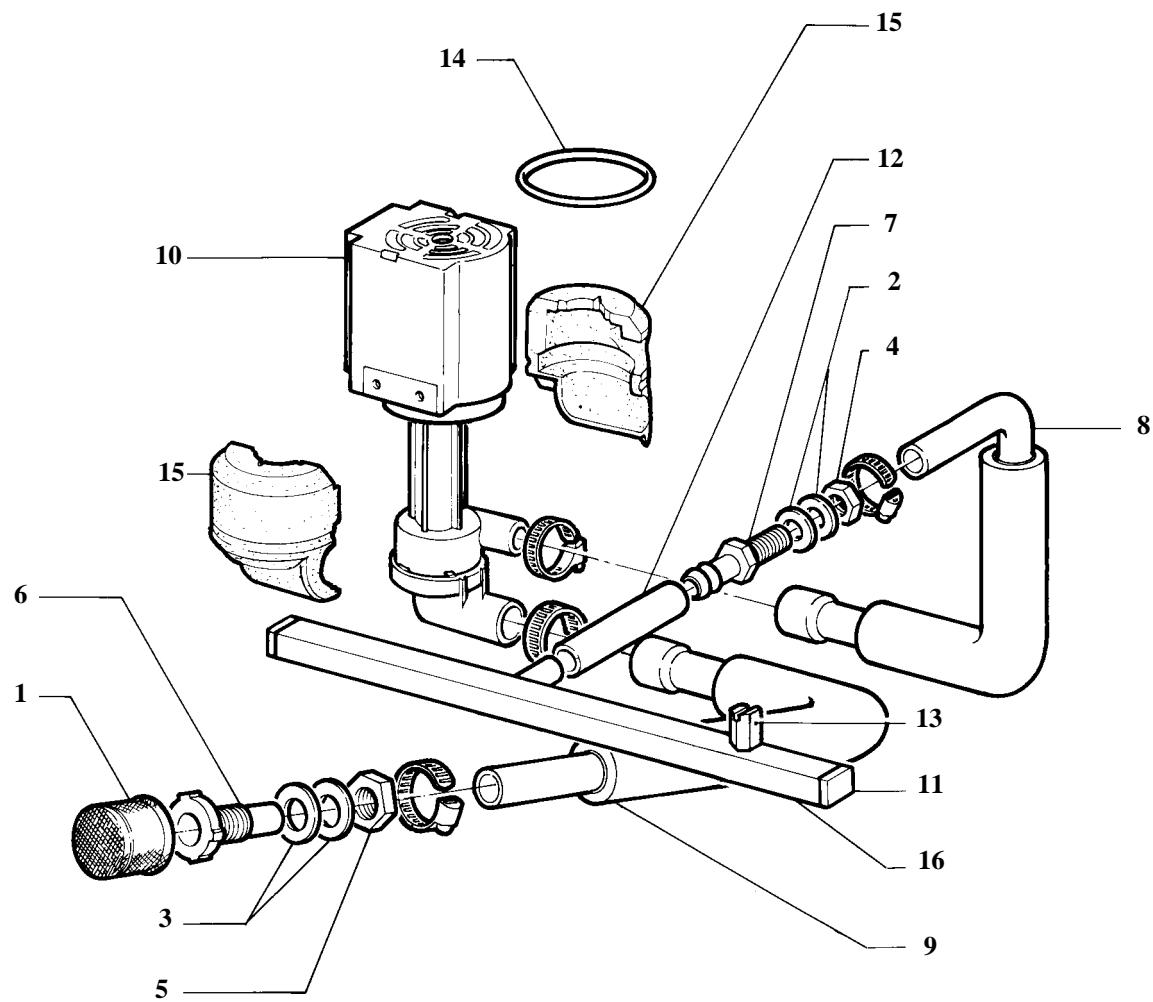
**SD80A - SD80W**





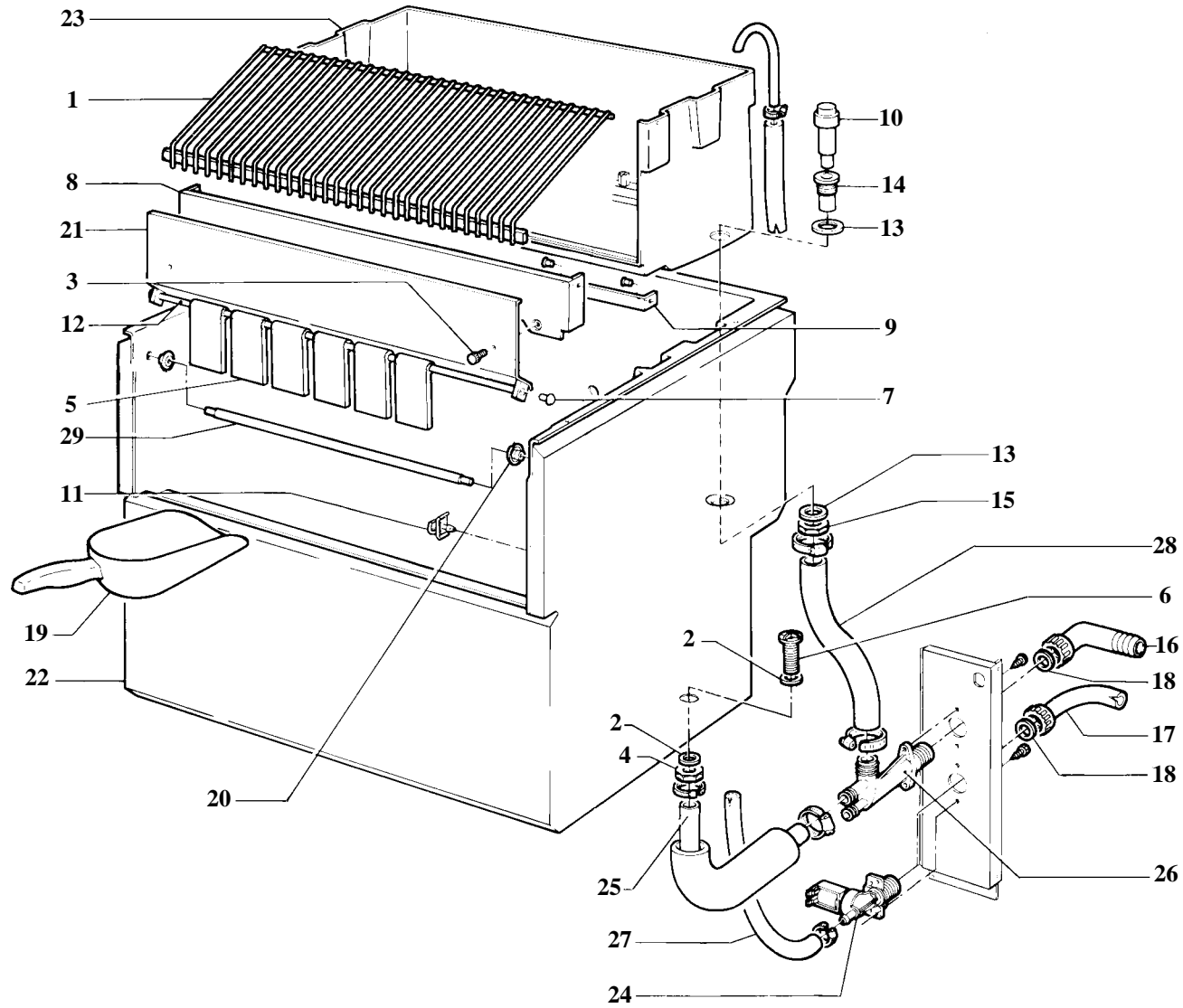
**SD80A - SD80W****TAVOLA 1**

<b>N</b>	<b>COD.</b>	<b>DESCRIZIONE</b>	<b>DENOMINATION</b>	<b>DESCRIPTION</b>	<b>BESCHREIBUNG</b>
1	660638 00	Piede regolabile	<i>Pied réglable</i>	Livelling foot	<i>Gerätefuss</i>
2	650805 00	Targa serigrafata	<i>Plaque marque</i>	Name plate facia	<i>Markenschild</i>
3	650805 16	Targhetta modello	<i>plaque d'identification</i>	Model badge	<i>Modellbezeichnung</i>
5	650790 00	Perno	<i>Axe</i>	Stud	<i>Stift</i>
6	660648 00	Controsportello	<i>Contreporte</i>	Door internal plate	<i>Hintere seite entnahmeklappe</i>
7	650806 00	Perno posteriore	<i>Axe arriere</i>	Rear stud	<i>Träger - Hinten</i>
9	Z1AM088	Pannello isolante	<i>Panneau isolant</i>	Top panel insulation	<i>Isolation</i>
10	781406 09	Assieme basamento	<i>Ensemble chassis</i>	Base assy	<i>Chassis einheit</i>
11	721853 00	Fiancata sinistra	<i>Joue</i>	Left side panel	<i>Linke gehäuseseite</i>
12	721852 00	Fiancata destra	<i>droite</i>	Right side panel	<i>Rechte gehäuseseite</i>
13	702330 00	Traverso ant.	<i>Traverse antérieure</i>	Front support	<i>Vordere verbindungsstrebe</i>
14	704289 00	Traverso supp. pompa	<i>Traverse support pompe</i>	Pump support panel	<i>Halterung pumpe</i>
15	781432 03	Assieme coperchio	<i>Ens. couvercle</i>	Top panel assy	<i>Deckel komplett</i>
16	702331 00	Pannello posteriore	<i>Panneau postérieur</i>	Rear panel	<i>Hintere abdeckung</i>
17	060491 25	Sportello	<i>Porte</i>	Door	<i>Entnahmeklappe</i>
18	721855 00	Pannello anteriore	<i>Panneau frontal</i>	Front panel	<i>Vordere gehäuseabdeckung</i>
19	680427 00	Base imballo	<i>Socle</i>	Pallet	<i>Palette</i>
20	680149 04	Scatola imballo	<i>Caisse carton</i>	Carton	<i>Karton</i>
21	721851 00	Coperchio	<i>Couvercle</i>	Top panel	<i>Deckel</i>



**SD80A - SD80W****TAVOLA 2**

<b>N</b>	<b>COD.</b>	<b>DESCRIZIONE</b>	<b>DENOMINATION</b>	<b>DESCRIPTION</b>	<b>BESCHREIBUNG</b>
1	Z1AC012	Filtro aspirazione pompa	<i>Filtre aspiration pompe</i>	Pump feeding filter	<i>Pumpenansaugfilter</i>
2	Z1AC013	Rondella	<i>Rondelle</i>	Washer	<i>Unterlegscheibe</i>
3	Z1AC014	Rondella	<i>Rondelle</i>	Washer	<i>Unterlegscheibe</i>
4	Z1AC016	Dado	<i>Ecrou</i>	Nut	<i>Mutter</i>
5	Z1AC017	Dado	<i>Ecrou</i>	Nut	<i>Mutter</i>
6	Z1AC029	Racc. aspirazione pompa	<i>Raccord aspiration pompe</i>	Pump feeding pipe-fitting	<i>Ansauganschlussstück</i>
7	Z1AC030	Racc. mandata pompa	<i>Raccord refoulement pompe</i>	Pump inlet water pipe-fitting	<i>Pumpenabflussanschlussstück</i>
8	Z1ID006	Tubo mandata pompa	<i>Tuyau de refoulement pompe</i>	Pump inlet water pipe	<i>Pumpenabflussschlauch</i>
9	610189 01	Tubo aspirazione pompa	<i>Tuyau d'aspiration pompe</i>	Pump feeding pipe	<i>Pumpenagsaugschlauch</i>
10	620415 00	Assieme pompa	<i>Ensemble pompe a eau</i>	Water pump assy	<i>Wasserpumpe</i>
11	660557 00	Tappo per collettore	<i>Bouchon pour collecteur</i>	Plug manifold	<i>Stopfen</i>
12	281830 04	Tubo alimentazione collettore	<i>Tuyau d'alimentation eau</i>	Spray bar feeding pipe	<i>Anschlusschlauch Kollektor</i>
13	660558 00	Spruzzatori	<i>Gicleurs</i>	Sprayers	<i>Sprühdüsen</i>
14	Z1ID042	Anello O.R.	<i>Joint torique</i>	O-ring	<i>O-ring</i>
15	Z1ID043	Isolamento pompa	<i>Coupelle pour pompe</i>	Pump cover insulation	<i>Pumpenisolation</i>
16	650665 08	Collettore	<i>Collecteur</i>	Spray bar	<i>Kollektor</i>

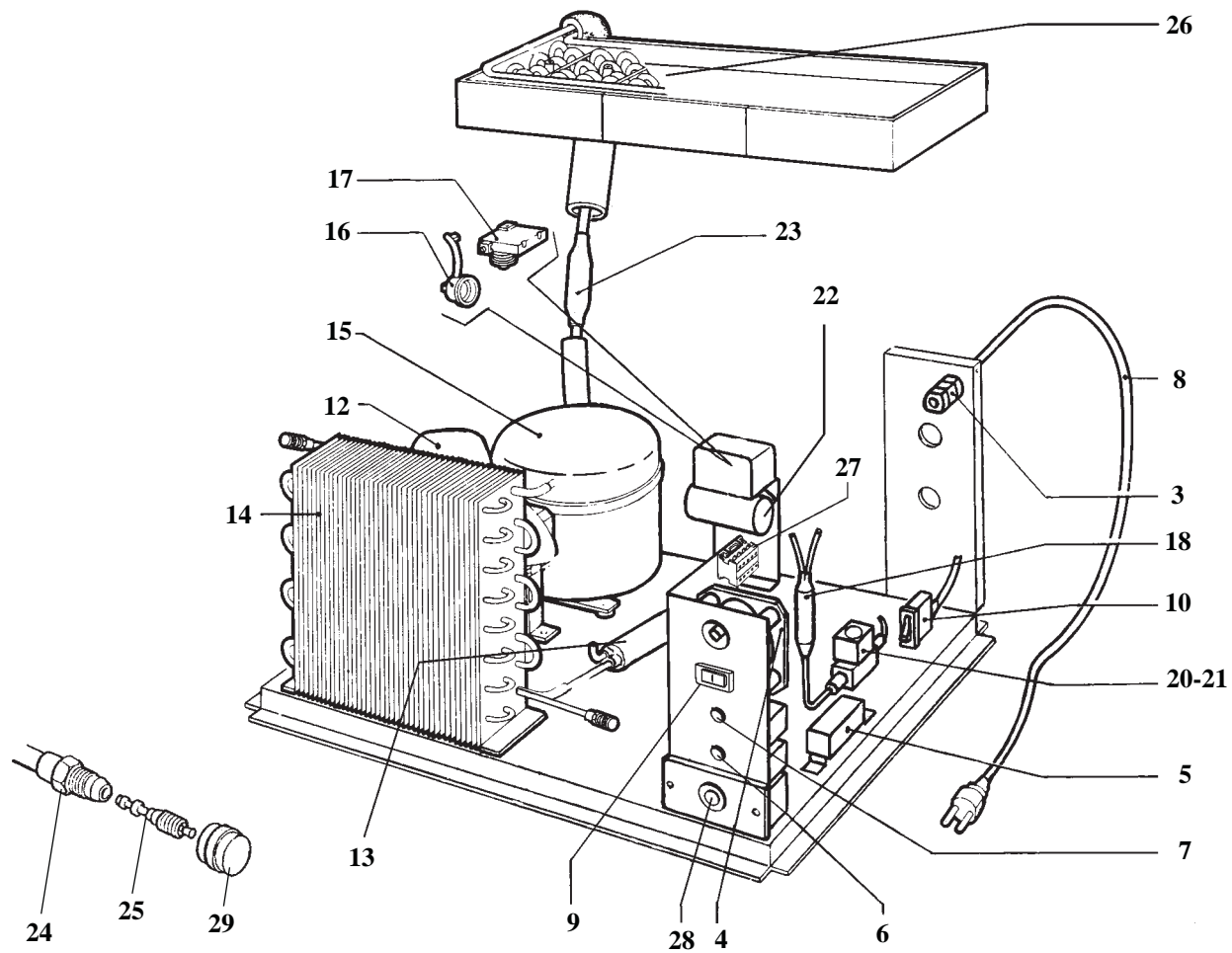


## SD80A - SD80W

## TAVOLA 3

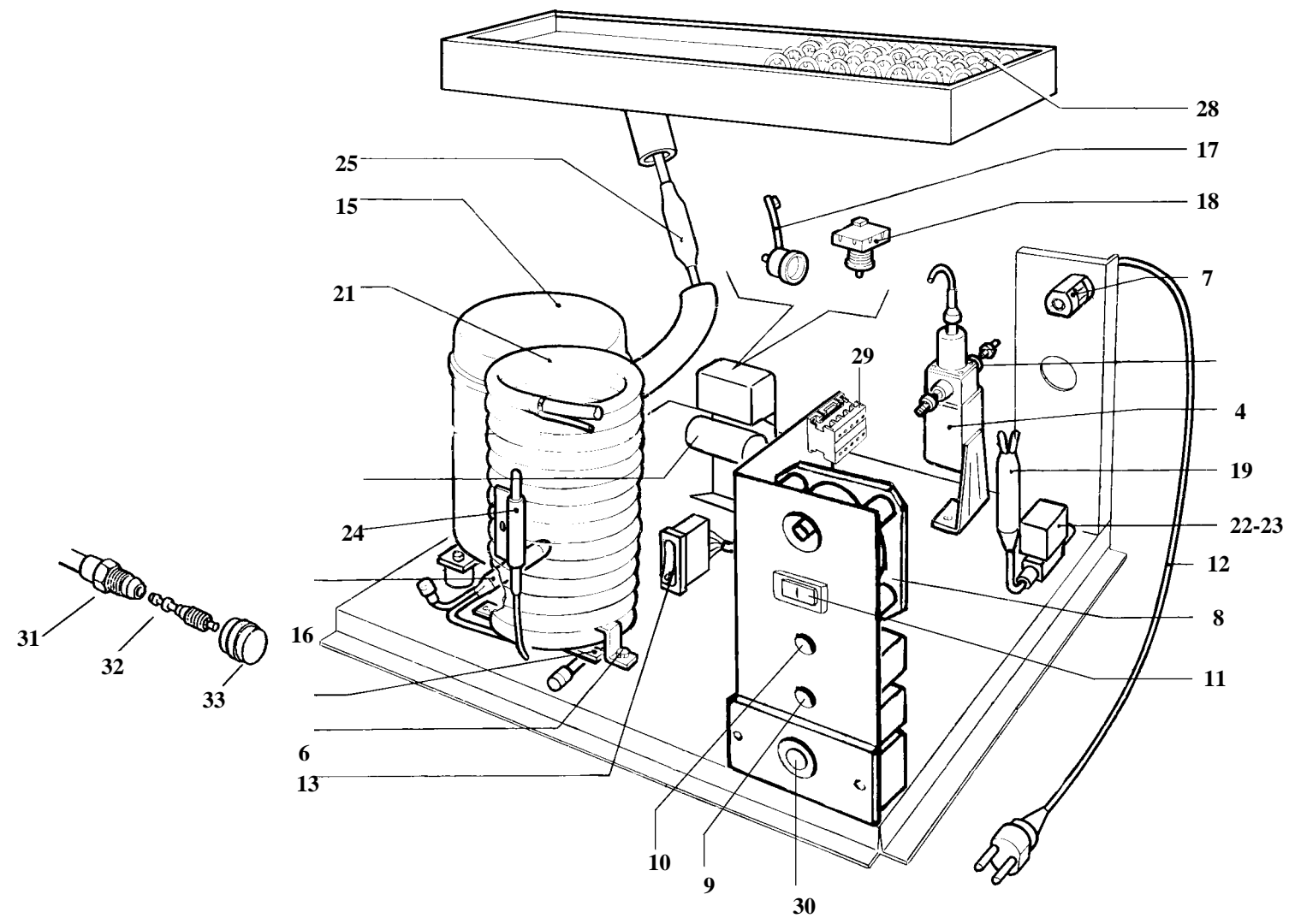
N	COD.	DESCRIZIONE	DENOMINATION	DESCRIPTION	BESCHREIBUNG
1	Z1AC004	Griglia scorrimento cubetti	<i>Grille glissement glacons</i>	Cube deflector	<i>Abgleit grill</i>
2	Z1AC013	Rondella	<i>Rondelle</i>	Washer	<i>Unterlegscheibe</i>
3	Z1AC015	Vite godronata	<i>Vis moletée</i>	Knurled screw	<i>Schraube</i>
4	Z1AC016	Dado	<i>Ecrou</i>	Nut	<i>Mutter</i>
5	660629 00	Bandierina	<i>lamelle</i>	Spray curtain flap	<i>Abdeckklabbe</i>
6	Z1AC028	Racc. scarico contenitore	<i>Raccord vidange conteneur</i>	Bin exhaust pipe fitting	<i>Anschlusstück behälter</i>
7	640041 29	Guarnizione	<i>Joint torique</i>	O-ring	<i>Simmer ring</i>
8	724325 00	Supporto evaporatore	<i>Support évaporateur</i>	Evaporator support	<i>Verdanpferauflange</i>
9	722146 01	Supporto cella	<i>Support chambre</i>	Bin support	<i>Halterung Innenbehälter</i>
10	660601 00	Troppo pieno	<i>Trop-plein</i>	Overflow exhaust pipe	<i>Überlauf</i>
11	470019 00	Vite	<i>Vis</i>	Screw	<i>Schraube</i>
12	734328 18	Tubo ottone	<i>Tube en laiton</i>	Spray curtain bar	<i>Abdeckklappenhalter</i>
13	Z1AC056	Rondella	<i>Rondelle</i>	Washer	<i>Unterlegscheibe</i>
14	Z1AC057	Raccordo scarico t. pieno	<i>Raccord écoulem. trop-plein</i>	Overflow exhaust	<i>Überlaufrohr</i>
15	Z1AC058	Dado ottone M27	<i>Ecrou M27</i>	Nut M27	<i>Mutter M27</i>
16	Z1AD011	Curva con ghiera	<i>Coude avec bague</i>	Elbow with ring nut	<i>Krümmen</i>
17	060513 00	Tubo alimentazione acqua	<i>Tuyau d'alimentation eau</i>	Water Supply pipe	<i>Wasseranschluss Schlauch</i>
18	640076 13	Guarnizione	<i>Joint</i>	Gasket	<i>Dichtung</i>
19	650146 00	Sessola	<i>Sasse</i>	Ice scoop	<i>Eisschaufel</i>
20	Z1AM025	Passatubo	<i>Passe-tuyau</i>	Retainer for door bar	<i>Halterung</i>
21	060524 09	Assieme tendina	<i>Ens. lamelles complet</i>	Curtain flap assy.	<i>Jalouise k&lt;omplet</i>
22	060524 04	Kit cella completa	<i>Kit chambre complète</i>	Kit bin assy	<i>Kit zellz komplett</i>
23	Z1CE032	Cella interna	<i>Chambre extérieure</i>	Bin	<i>Zellz intern</i>
24	650105 52	Elettrovalvola	<i>Electrovanne</i>	Electric valve	<i>Electromagnetventil</i>
25	610189 00	Tubo scarico contenitore	<i>Tuyau widange conteneur</i>	Bin exhaust pipe	<i>Behälterauslaufschlauch</i>
26	Z1ID025	Scarico Acqua	<i>Ecoulement eau</i>	Water exhaust	<i>Wasserablauf</i>
27	281900 01	Tubo	<i>Tube</i>	Pipe	<i>Schlauch</i>
28	Z1ID028	Tubo	<i>Tube</i>	Pipe	<i>Schlauch</i>
29	Z1AM018	Asta sportello	<i>Tige porte</i>	Door support bar	<i>Klappenachse</i>





**SD80A****TAVOLA 4**

<b>N</b>	<b>COD.</b>	<b>DESCRIZIONE</b>	<b>DENOMINATION</b>	<b>DESCRIPTION</b>	<b>BESCHREIBUNG</b>
3	630107 00	Fissacavo	<i>Serre-câble</i>	Cable terminal ring	<i>Kabelklemme</i>
4	620441 00	Timer	<i>Minuterie</i>	Timer	<i>Timer</i>
5	620075 00	Pressostato	<i>Pressostat</i>	Pressure gauge	<i>Druckwächter</i>
6	630005 00	Termostato contenitore	<i>Thermostat conteneur</i>	Bin thermostat	<i>Behälterthermostat</i>
7	620201 01	Termostato evaporatore	<i>Thermostat évaporateur</i>	Evaporator thermostat	<i>Verdampferthermostat</i>
8	630136 00	Cavo alimentazione	<i>Câble d'alimentation</i>	Electric cable	<i>Kabel</i>
9	620442 02	Commutatore	<i>Interrupteur</i>	Switch	<i>Umschalter</i>
10	620453 00	Interruttore luminoso	<i>Interrupteur lumineux</i>	Switch	<i>Schalter</i>
12	620419 02	Motoventilatore	<i>Moto-ventilateur</i>	Electric fan	<i>Lüfter</i>
13	630137 01	Filtro	<i>Filtre</i>	Filter	<i>Filter</i>
14	620405 00	Condensatore	<i>Condenseur</i>	Air condenser	<i>Kondensator</i>
15	670099 02	Compressore	<i>Compresseur</i>	Compressor	<i>Kompressor</i>
16	620058 39	Protettore termico	<i>Protection thermique</i>	Thermic protector	<i>Thermoschutz</i>
17	620057 44	Relè avviamento	<i>Relais démarrage</i>	Startin relay	<i>Anlaufrelais</i>
18	630003 06	Filtro meccanico	<i>Ens.</i>	Filtre	<i>Filter</i>
20	620306 27	Corpo valvola	<i>Corps de vanne</i>	Valve body	<i>Vertilgehäuse</i>
21	620306 48	Bobina gas	<i>Bobine</i>	Coil	<i>Heissgas ventilspule</i>
22	620167 01	Condensatore di spunto	<i>Capacité demarrage</i>	Start Capacitor	<i>Stert Kondensator</i>
23	784444 06	Assieme accumulatore	<i>Ens. accumulateur</i>	Accumulator	<i>Sammler</i>
24	650109 00	Corpo valvola	<i>Corps de vanne</i>	Valve body	<i>Ventilgehäuse</i>
25	670012 00	Pistoncino valvola	<i>Piston</i>	Valve piston	<i>Ventilkolben</i>
26	784482 00	Evaporatore	<i>Evaporateur</i>	Evaporator	<i>Verdampfer platte</i>
27	630119 02	Contattore	<i>Contacteur</i>	Contactore	<i>Schaltschütz</i>
28	620443 02	Termostato di sicurezza	<i>Thermostat de sécurité</i>	Thermostat-safety	<i>Sicherheitsthermostat</i>
29	650106 00	Cappuccio valvola	<i>Capuchon de vanne</i>	Valve cap	<i>Ventil klappe</i>



**SD80W****TAVOLA 5**

<b>N</b>	<b>COD.</b>	<b>DESCRIZIONE</b>	<b>DENOMINATION</b>	<b>DESCRIPTION</b>	<b>BESCHREIBUNG</b>
4	620111 00	Valvola pressostatica	<i>Soupape pressostatique</i>	Water valve	<i>Wasserventil</i>
5	Z1CW023	Squadretta fiss. cond.	<i>Equerre fixation cond.</i>	Condenser support	<i>Kondensator halterung</i>
6	Z1CW024	Squadretta per cond.	<i>Equerre fixation cond.</i>	Condenser support	<i>Kondensator halterung</i>
7	630107 00	Fissacavo	<i>Serre-câble</i>	Cable terminal ring	<i>Kabelklemme</i>
8	620441 00	Timer	<i>Minuterie</i>	Timer	<i>Timer</i>
9	630005 00	Termostato contenitore	<i>Thermostat conteneur</i>	Bin thermostat	<i>Behälterthermostat</i>
10	620201 01	Termostato evaporatore	<i>Thermostat évaporateur</i>	Evaporator thermostat	<i>Verdampferthermostat</i>
11	620442 02	Commutatore	<i>Interrupteur</i>	Switch	<i>Umschalter</i>
12	630136 00	Cavo alimentazione	<i>Câble d'alimentation</i>	Electric cable	<i>Kabel</i>
13	620453 00	Interruttore luminoso	<i>Interrupteur lumineux</i>	Switch	<i>Schalter</i>
15	670099 02	Compressore	<i>Compresseur</i>	Compressor	<i>Kompressor</i>
16	630137 01	Filtro	<i>Filtre</i>	Filter	<i>Filter</i>
17	620058 39	Protettore termico	<i>Protection thermique</i>	Thermic protector	<i>Thermoschutz</i>
18	620057 44	Relé avviamento	<i>Relais de démarrage</i>	Starting relay	<i>Anlaufrelais</i>
19	630003 06	Filtro meccanico	<i>Filtre mécanique</i>	Filter	<i>Filter</i>
21	620331 00	Condensatore ad acqua	<i>Condenseur a eau</i>	Water condenser	<i>Wasser kondensator</i>
22	620306 27	Corpo valvola	<i>Corps de vanne</i>	Valve body	<i>Ventilgehäuse</i>
23	620306 48	Bobina gas	<i>Bobine</i>	Coil	<i>Heissgas ventispule</i>
24	620167 01	Condensatore di spunto	<i>Cpacité demarrage</i>	Start capacitor	<i>Stert Kondensator</i>
25	784444 06	Accumulatore	<i>Accumulateur</i>	Accumulator	<i>Sammler</i>
27	670012 00	Pistoncino per valvola	<i>Piston</i>	Valve piston	<i>Ventilkolben</i>
28	784482 00	Piastra evaporatore	<i>Evaporateur</i>	Evaporator	<i>Verdampfer komplett</i>
29	630119 02	Contattore	<i>Contacteur</i>	Contactore	<i>Schalterschütz</i>
30	620443 02	Termostato di sicurezza	<i>Thermostat de sécurité</i>	Thermostat-safety	<i>Scherheits thermostat</i>
31	650109 00	Corpo valvola	<i>Corps de vanne</i>	Valve body	<i>Ventilgehäuse</i>
32	670012 00	Pistoncino valvola	<i>Piston</i>	Valve piston	<i>Ventilkolben</i>
33	650106 00	Cappuccio valvola	<i>Capuchon de vanne</i>	Valve cap	<i>Ventilklappe</i>

**SD80 - TABELLA COMPRESSORI - TABLEAU COMPRESSEUR - COMPRESSOR CHART - KOMPRESSOR KARTE**

Modello <i>Modele</i> Model <i>Modell</i>	Tensione <i>Volts</i> Tension <i>Spannung</i>	Mod. Compressore <i>Type compresseur</i> Compressor model <i>Kompressor typ</i>	Compressore <i>Compresseur</i> Compressor <i>Kompressor</i>	Relé <i>Relais</i> Relay <i>Relais</i>	Protettore <i>Protecteur</i> Protector <i>Schutzgerat</i>	Capacità d'avv. <i>Capacité/demarrage</i> Start capacitor <i>Start kondensator</i>
SD80	115/60/1	-	-	-	-	-
SD80	230/60/1	CAJ4461Y	670099 07	620057 48	620058 78	620167 01
SD80	230/50/1	CAJ4461Y	670099 02	620057 44	620058 39	620167 01

**SD80 - TABELLA COMPONENTI ELETTRICI - TABLEAU COMPOSANTS ELECTRIQUE  
ELECTRIC COMPONENTS CHART - ELEKTRISCHEKARTE**

Modello <i>Modele</i> Model <i>Modell</i>	Tensione <i>Volts</i> Tension <i>Spannung</i>	Pompa <i>Pompe a eau</i> Water pump <i>Wasser pumpe</i>	Motore ventilatore <i>Moteur ventilateur</i> Fan motor only <i>Lufter motor</i>	Valv. ingr. acqua <i>V.e.m. arriveé eau</i> Water inlet valve <i>Wasserein. ventil</i>	Valvola gas caldo <i>V.E.M. gaz chauds</i> Hot gas valve <i>Heissgaz ventil</i>	Timer <i>Minuterie</i> Timer <i>Timer</i>	Contattore <i>Contacteur</i> Contactor <i>Schaltenschutz</i>
SD80	115/60/1	-	-	-	-	-	-
SD80	230/60/1	620415 01	620419 02	650105 52 (Air/Water)	620306 48 - Coil 620306 27 - Body	620441 00	630119 02
SD80	230/50/1	620415 00	620419 02	650105 52 (Air/Water)	620306 48 - Coil 620306 27 - Body	620441 00	630119 02

# SIMAG

ICE MACHINES

[www.simag.it](http://www.simag.it)

SIMAG  
via Risorgimento, 4  
20017 Mazzo di Rho (MI) - Italy  
Tel. +39 02 93900215 (Commerciale - Sales Dept.)  
Tel. +39 02 93960357 (Assistenza - Service Dept.)  
Fax +39 02 93900226 (Commerciale - Sales Dept.)  
Fax +39 02 93960366 (Assistenza - Service Dept.)  
e-mail: [sales@simag.it](mailto:sales@simag.it)  
e-mail: [service@simag.it](mailto:service@simag.it)

Singapore Office  
SIMAG FAR EAST  
627A Aljunied Road  
04-04 Biztech Centre  
Singapore 389842  
Tel. ++65 6738 5393  
Fax ++65 6738 1959  
e-mail: [scotsice@singnet.com.sg](mailto:scotsice@singnet.com.sg)



Certified ISO 9001  
TOTAL QUALITY

