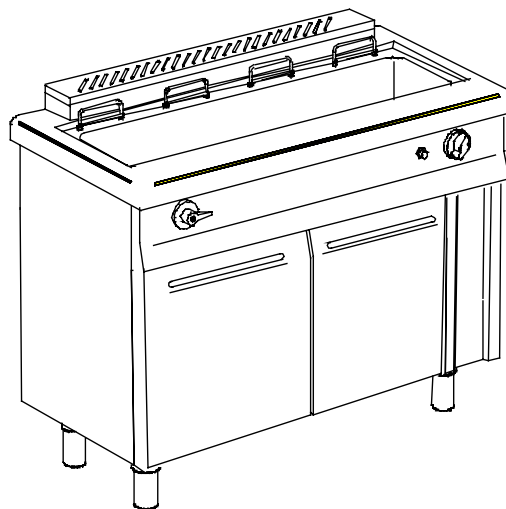


SERIE 1100



CUOCIPASTA A GAS, VERSIONE LATERALE DI TESTA

1 vasca da 55 lt.

LATERAL GAS PASTA COOKER ON CUPBOARD UNIT

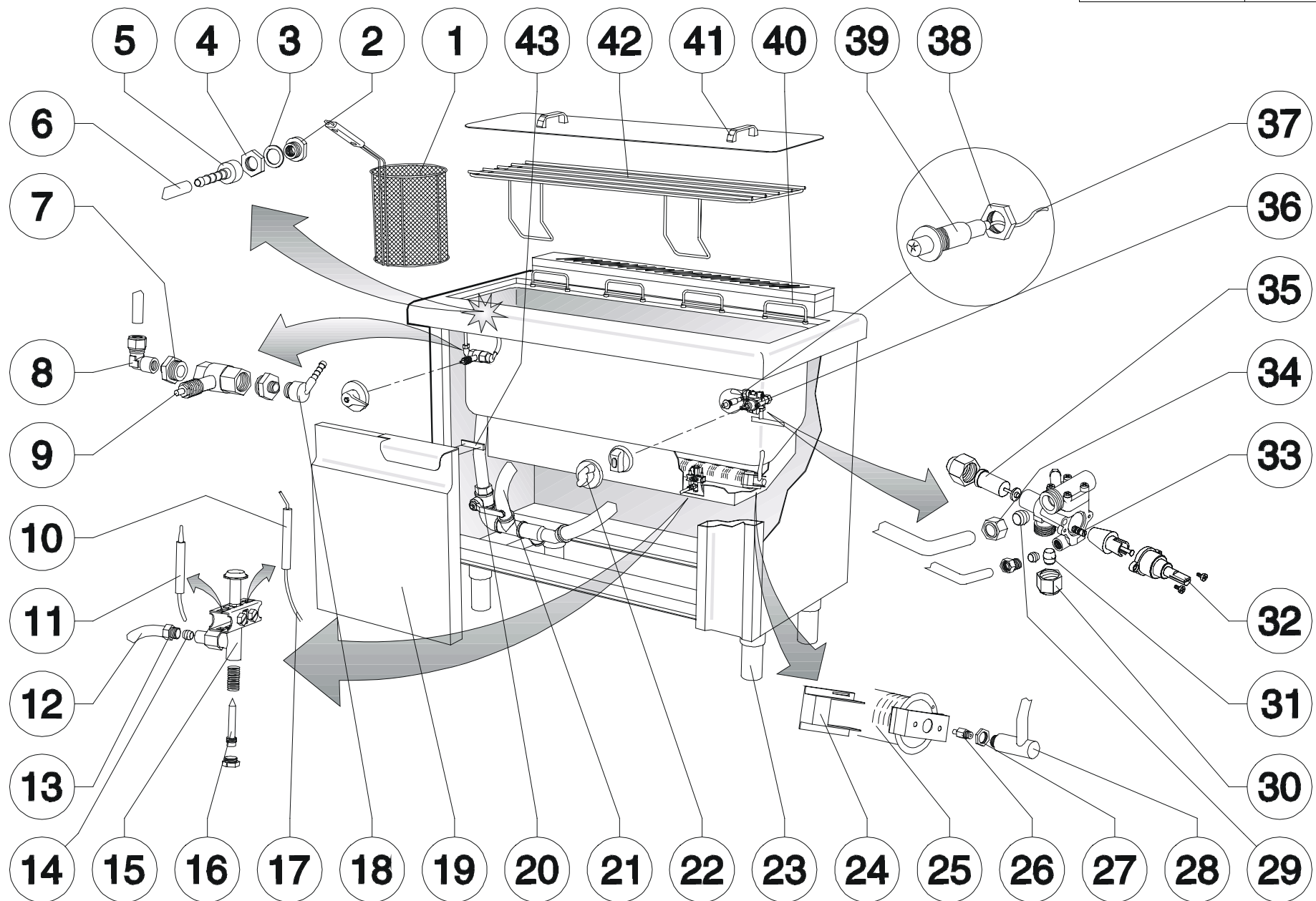
1 x 55 lt. well

GAS NUDELKOCHER

1 x 55 lt. Becken

CUISEURS A PATES A GAZ

1 x 55 lt. cuve



	COD.	REV.	DESCRIZIONE	DESCRIPTION	BESCHREIBUNG	DESCRIPTION
1	0101096		Cestino tondo cuocipasta	Round pasta cooker basket	Nudelkocherkorb rund	Panier cuiseur pates rond
2	0100495		Ugello carico acqua	Water inlet nozzle	Wasserzulaufdüse	Gicleur entrée d'eau
3	0100518		Guarnizione Teflon	Teflon Washer	Dichtung Teflon	Garniture Teflon
4	0101442		Dado 1/2"	Nut 1/2"	Mutter 1/2"	Ecrou 1/2"
5	0100606		Portagomma dritto 3/8"	Rubber tube support 3/8"	Gummihalter 3/8"	Raccord porte- caoutchouc 3/8"
6	0103238		Tube gomma verde	Green rubber pipe	Grüner Gummiroler	Tube caoutchouc vert
7	0100769		Riduzione filettata 3/8-1/2"	Threaded reduction 3/8-1/2"	Nippel	Raccord filete
8	0100768		Raccordo a gomito 3/8-1/2"	Elbow connection 3/8-1/2"	Winkelstück	Raccord coude
9	0100540		Rubinetto carico acqua	Water inlet tap	Wasserzulaufhahn	Robinet d'alimentation
10	0100832	C	Candela quadra	Ignitor	Kerze	Bougie
11	0100811		Termocoppia TC M10x1	Thermocouple TC M10x1	Thermoelement TC M10x1	Thermocouple TC M10x1
12	1200414		Conduttura pilota	Pilot tube	Pilotleitung	Conduite pilot
13	0100744		Dado pilota	Nut for pilot	Pilotmutter	Ecrou brûleur d'allumage
14	0100745	C	Bicono pilota	Bush for pilot	Pilotdoppelkegelring	Bicône brûleur d'allumage
15	0100822	C	Pilota 3 vie Ø6	Pilot burner Ø6	Zündflammenbrenner Ø6	Brûleur pilote Ø6
16	(vedi tab.)	C	Ugello pilota	Pilot injector	Zündflammenbrennerdüse	Injecteur pilote
17	9303074	C	Cavo per candela forno	Oven ignition cable	Backofen-Kerzenkabel	Cable bougie four
18	0100684		Portagomma a gomito 3/8"	Elbow rubber tube support	Winkelgummihalter	Raccord porte-caoutchouc
19	9203102		Portina	Cabinet door	Schranktür	Porte armoire
19a	9204576	02	Portina cucine versione "1"	Cabinet door version 1	Schranktür Ausführung 1	Porte armoire version 1
20	0100605		Valvola sfera da 1"	Ball cock 1"	Kugelventil 1"	Soupape sphère 1"
21	0103248		Tube radiator Ø30	Drain tube Ø30	Stärkeablaufrohr	Tube degorgement d'amidon
22	0101787		Manopola "S" per fuochi aperti	Knob "S" for open burners	Knebel "S" für offene Kochstellenbrenner	Manette "S" pour feux vifs C
22a	0101965		Manopola Ø65 per fuochi aperti completa di tappo	Knob Ø65 for open burners with insert	Knebel Ø65 für offene Kochstellenbrenner mit Pfropfen	Manette Ø65 pour feux vifs C avec insert
23	0100324		Assieme piedino da 2" H=165	Foot 2" H=165	Fuss 2" H=165	Pied 2" H=165
24	LC268-00		Squadretta regolazione aria	Air regulator	Luftregler	Régulateur d'air
25	0100297		Bruciatore principale	Main burner	Hauptbrenner	Brûleur principal
26	(vedi tab.)		Ugello	Nozzle	Düse	Injecteur
27	0100770		Dado M14x1	Nut M14x1	Mutter M14x1	Ecrou M14x1
28	1300208		Assieme conduttura Ø16	Gas pipe Ø16	Gasleitung Ø16	Tube gaz Ø16
29	0100844	C	Bicono Ø16	Bush Ø16	Doppelkegelring Ø16	Bicône Ø16
30	0100762		Dado Ø20	Nut Ø20	Mutter Ø20	Ecrou Ø20
31	0100763	C	Bicono Ø20	Bush Ø20	Doppelkegelring Ø20	Bicône Ø20
32	0100755		Coperchio	Cover	Verschlusskappe	Couvercle
33	(vedi tab.)		By-pass	By-pass	By-pass	By-pass
34	0100764		Dado Ø16	Nut Ø16	Mutter Ø16	Ecrou Ø16
35	0100754	C	Magnete rubinetto gas	Gas cock magnet	Gashahnmagnet	Magnéto robinet gaz
36	0100734	C	Rubinetto valvolato	Gas cock	Gashahn	Robinet gaz
37	0109082	C	Cavo A.T. per piezo L=600 mm.	Piezo cable L=600 mm.	Zündkabel L=600 mm.	Câble allumage L=600 mm.
38	0100894	C	Dado per piezo	Nut for piezo	Piezomutter	Ecrou pour piézo
39	0100895	C	Accensione piezo	Piezoelectric ignition	Piezozünder	Allumage électrique
40	1300202		Supporto cestini	Support for baskets	Korbhalter	Support paniers

	COD.	REV.	DESCRIZIONE	DESCRIPTION	BESCHREIBUNG	DESCRIPTION
41	0101243		Maniglia per tramoggia	Handle-bottom hinged bin	Kipphältergriff	Poignee pour recipient basculant
42	1300200	01	Griglia falsofondo vasca	False bottom griddle for tank	Siebbodengitter für Kessel	Grille faux-fond four cuve
43	0100384		Chiusura magnetica	Magnetic lock	Magnetverschluss	Aimant porte

BRUCIATORE Pos. 25	GAS	NAZIONI CE EN 203 - 1	PRESSIONE DI ALIMENTAZIONE	COD. UGELLO Pos. 26	Ø 1/100	COD. BY-PASS Pos. 33	Ø 1/100	COD. UGELLO Pos. 16	Ø 1/100		
Qn = 16.6 kW	G 20	AT-DK-ES-FI-IE-IT-PT-GB-SE-CH	20 mbar	0102023	305	0102077	130	0101048	27		
		DE-BE-FR	20/25 mbar	0102023	305	0102077	130				
	G 25	NL	25 mbar	0102023	305	0102084	135				
		DE	20 mbar	0102035	335	0102075	145				
	G 30 G 31	BE-DK-ES-FI-FR-IE IT-NL-PT-GB-SE	28-30/37 mbar	0102020	200	0102085	80			0101049	22
		DE-AT-CH	50 mbar	0102036	170	0102086	70				



COD. XES30501/A

PAG. 5/5