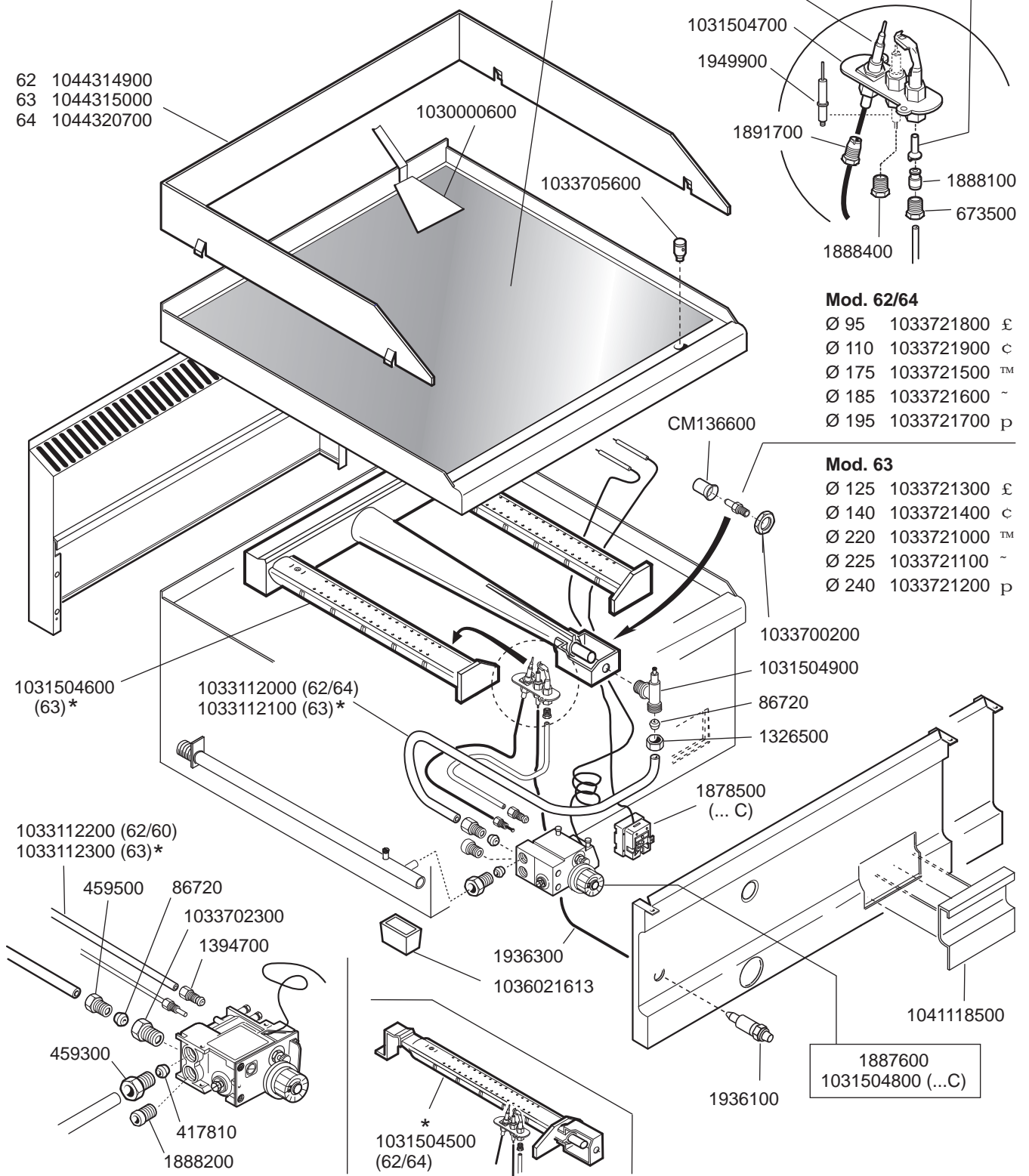


BG 62 TLL	(CGG 6220)	1040363600	62 TLL	1044721533
BG 62 TRR	(CGG 6220R)	1040363500	62 TRR	10447262500
BG 62 TLC	(CGG 6220C)	1040364100	62 TLC	10447262100
BG 63 TLL	(CGG 6230)	1040363700	63 TLL	1044721633
BG 63 TLR	(CGG 6230LR)	1040363900	63 TLR	1044724033
BG 63 TLC	(CGG 6230C)	1040364200	63 TLC	1044759013
BG 64 TLL	(CGG 6240)	1040363800	64 TLL	1044725033
BG 64 TLR	(CGG 6240LR)	1040364000	64 TLR	1044724933
BG 64 TLC	(CGG 6240C)	1040364300	64 TLC	10447262400

FRY TOPS E BISTECCHIERE A GAS
GAS HEATED FRY TOPS
GRILLADES A GAZ
GASBEHEIZTE BRAT- UND GRILLPLATTEN

62 1044314900
63 1044315000
64 1044320700



1033722000 Ø 19 £ c
1887800 Ø 27 TM~ p

1031504300
1955500 (...C)

1031504700
1949900

1891700

1888100
673500

1888400

Mod. 62/64

Ø 95 1033721800 £
Ø 110 1033721900 c
Ø 175 1033721500 TM
Ø 185 1033721600 ~
Ø 195 1033721700 p

Mod. 63

Ø 125 1033721300 £
Ø 140 1033721400 c
Ø 220 1033721000 TM
Ø 225 1033721100 ~
Ø 240 1033721200 p

1031504600
(63)*

1033112000 (62/64)
1033112100 (63)*

1033112200 (62/60)
1033112300 (63)*

459500 86720
1033702300
1394700

459300
417810
1888200

1936300
1036021613

*
1031504500
(62/64)

CM136600

1033700200

1031504900

86720

1326500

1878500
(... C)

1041118500

1887600
1031504800 (...C)

1936100

ID GAS: £ G30/50 c G30/29 TM G20/20 ~ G25/25 p G25/20

	ELABORATO:	APPROVATO:	GRUPPO:	DENOMINAZIONE:		
	G.Z.		Serie 600 Snack	Impianto gas - Mobile		
	DATA:	DATA:	PARTICOLARE:	REV. N. d	DEL d	DISSEGNO N. d
	26 Feb 2002	26 Feb 2002	Disegno esploso per ricambi	Z00	0202	3S.6.60.BG
SOST. DIS.						