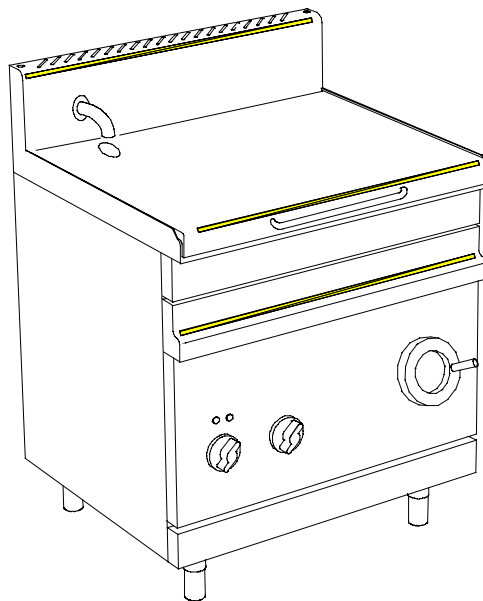
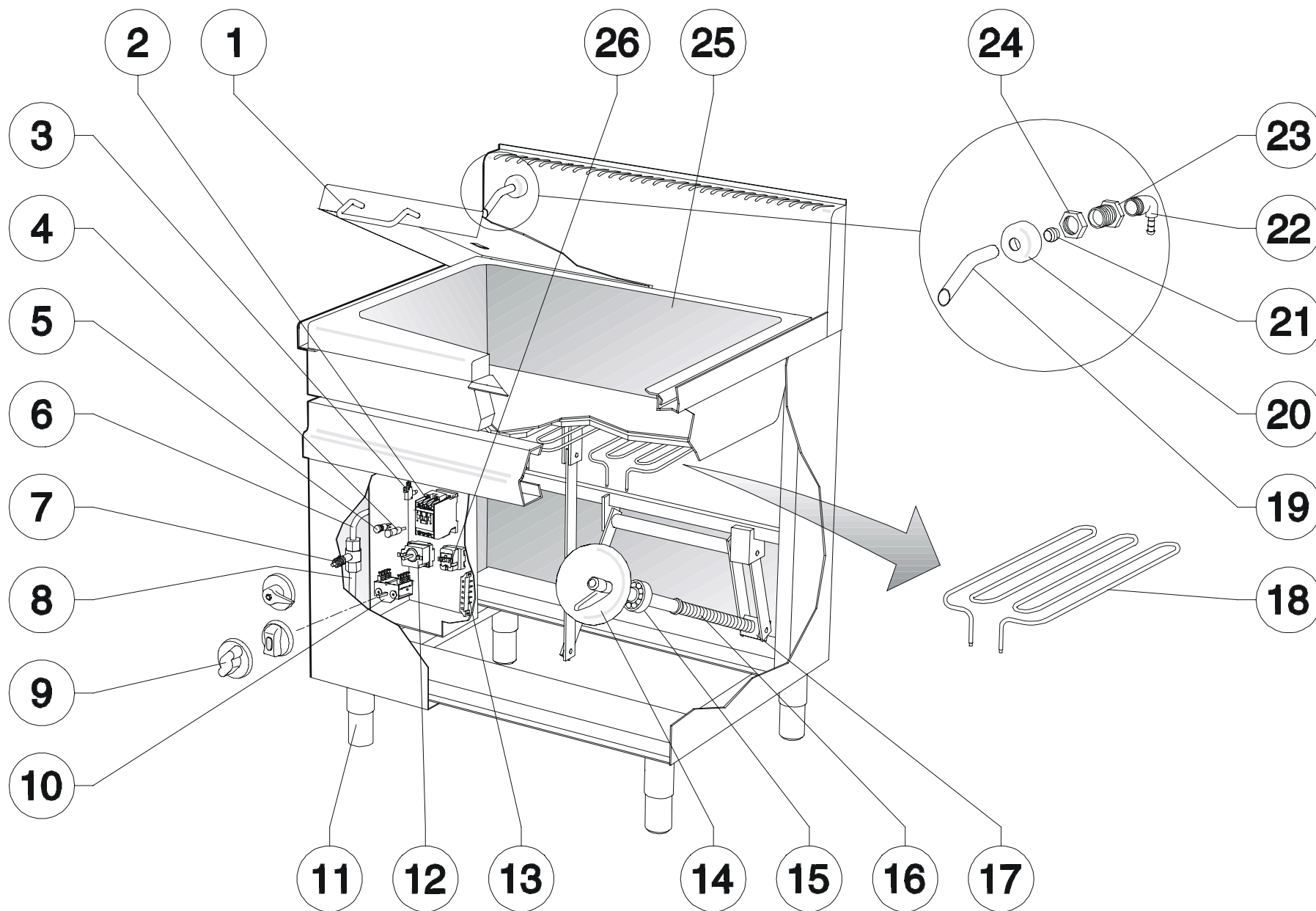


# SERIE 700

---



**BRASIERA ELETTRICA, RIBALTAMENTO MANUALE**  
lt.50, vasca con fondo in acciaio compound  
**ELECTRIC BRATT PAN. PAN TILTING BY HANDWHEEL**  
50-litre capacity, compound bottom pan  
**ELEKTRO KIPPBRATPFANNEN**  
50lt., Tiegelboden aus Edelstahl kippbar  
**SAUTEUSES BASCULANTES ELECTRIQUE**  
50lt., cuve avec fond en acier compound



	COD.	REV.	DESCRIZIONE	DESCRIPTION	BESCHREIBUNG	DESCRIPTION
1	LC337-00		Maniglia	Handle	Griff	Poignée
2	0101330	C	Teleruttore 13 kW 220V	Electromagnetic switch 13 kW 220V	Fernschalter 13 kW4 220V	Telerupteur 13 kW 220V
3	0101181	C	Interruttore micro	Micro switch	Microschalter	Micro interrupteur
4	0101167	C	Lampada 380V arancione	Orange signal lamp 380V	Kontrolleuchte orangefarbig 380V	Voyant orange 380V
5	0101169	C	Lampada 380V verde	Green signal lamp 380V	Kontrolleuchte grünfarbig 380V	Voyant vert 380V
6	0103238		Tubo gomma carico acqua	Rubber water inlet pipe	Wasserzulaufrohr aus Gummi	Tube caoutchouc entrée d'eau
7	0100540		Rubinetto carico acqua	Water inlet tap	Wasserzulaufhahn	Robinet d'alimentation
8	LC338-00		Conduttura carico acqua	Water inlet pipe	Wasserzulaufrohr	Raccord entrée eau
9	0101799		Manopola "S" per termostato 45°-295°C	Thermostat knob "S" 45°-295°C	Thermostatknobel "S" 45°-295°C	Manette thermostat "S" 45°-295°C
9a	0101963		Manopola Ø65 per termostato 45°-295°C completa di tappo	Thermostat knob Ø65 45°-295°C with insert	Thermostatknobel Ø65 45°-295°C mit Pfropfen	Manette thermostat Ø65 45°-295°C avec insert
10	0101379	C	Commutatore	Changeover switch	Wahlschalter	Commutateur
11	0100323	02	Assieme piedino da 1"3/4 H=165	Foot 1"3/4 H=165	Fuss 1"3/4 H=165	Pied 1"3/4 H=165
12	0101377	C	Termostato di lavoro	Thermostat	Thermostat	Thermostat
13	0101255		Morsettiera 2F+terra	Junction block	Klemmkasten	Serre-fils
14	LC336-00	C	Volantino completo	Handwheel	Handrad	Volant
14a	0100476		Impugnatura per volantino	Handwheel handle	Handradgriff	Poignée volant
15	0100430	C	Cuscinetto	Bearing	Kugellager	Coussinet
16	LC335-01		Vite per gruppo sollevamento vasca	Screw for tilting of pan	Schraubenmutter	Vis basculage cuve
17	LC333-04		Madrevite	Female screw	Schraubenmutter	Vis mere
18	0101526	C	Resistenza 3400W – 240V	Heating element 3400W-240V	Heizung 3400W- 240V	Résistance 3400W-240V
19	LC296-00		Tubo carico acqua	Water inlet pipe	Wasserzulaufrohr	Tube d'eau
20	LC297-00		Ghiera per tubo carico acqua	Ring nut for water inlet pipe	Ring für Wasserzulaufrohr	Ecrou pour tube entrée eau
21	0100765		Bicono per tubo carico acqua	Water inlet pipe bush	Doppelkegeling für Wasserzulaufrohr	Bicône pour tube d'eau
22	0100684		Portagomma 3/8"	Elbow rubber tube support 3/8"	Gummihalter 3/8"	Raccord porte-caoutchouc 3/8"
23	LC298-00		Raccordo per tubo carico acqua	Water inlet pipe fitting	Verschraubun für Wassersulaufrohr	Raccord pour tube entreée eau
24	LC295-00		Dado ottone per tubo carico acqua	Nut for water inlet pope	Mutter für Wasserzulaufrohr	Ecrou pour tube entrée eau
25	LC331-00		Vasca	Pan	Tiegel	Cuve
26	0101375	C	Termostato di sicurezza	Safety thermostat	Sicherheitsthermostat	Thermostat de sécurité