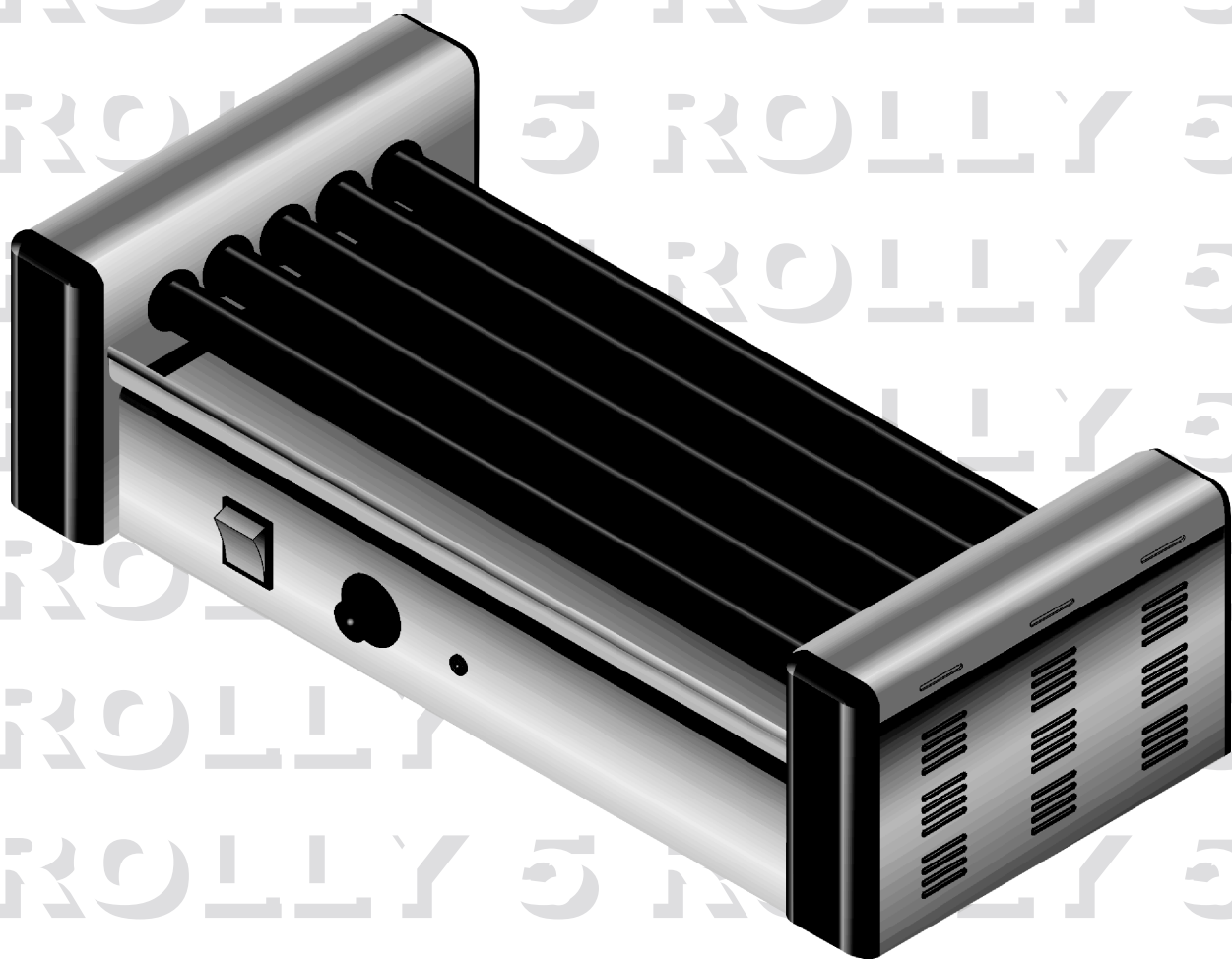
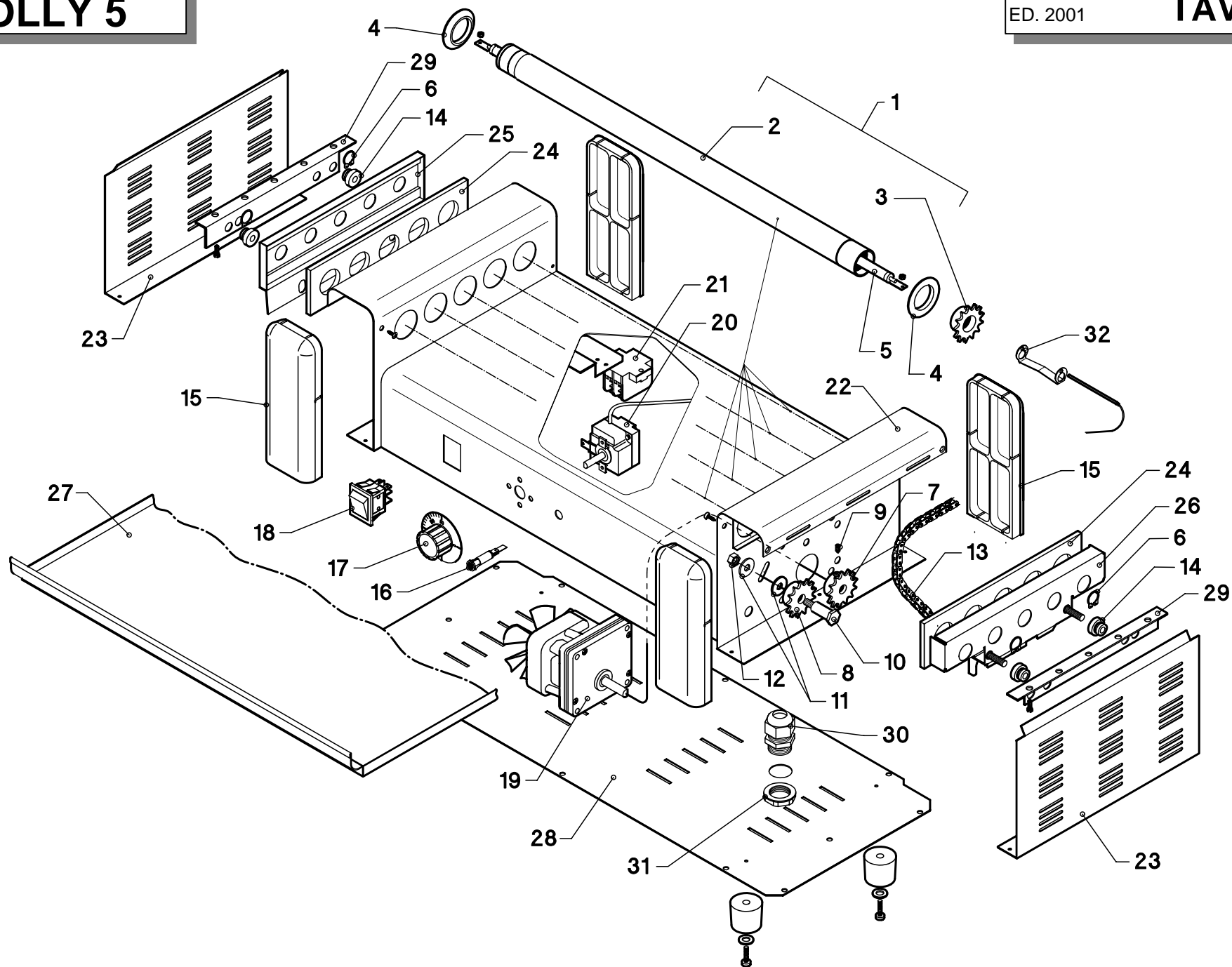


ROLLY 5



MANUALE DI RICAMBI
SPARE PARTS
CATALOGUES PIÉCES
ERSATZTEILEKATALOG
CATÁLOGO DE REPUESTOS



| Pos. | COD. | COD. | Q.tà | DESCRIZIONE | DENOMINATION | DESCRIPTION | BEZEICHNUNG | DESCRIPCIÓN |
|------|--------|------|------|--------------------------|----------------------------|----------------------------|--------------------------|---------------------------|
| 1 | 907437 | | 5 | ASSIEME TUBO TEFLONATO | TUBE TEFLON COMPLET | COMPLETE TEFLON TUBE | KOMPLETTE TEFLON RÖHRE | TUBO TEFLON COMPLETO |
| 1 | 907438 | | 5 | ASSIEME TUBO INOX | TUBE INOX COMPLET | COMPLETE INOX TUBE | KOMPLETTE INOX RÖHRE | TUBO INOX COMPLETO |
| 2 | 955073 | | 1 | TUBO TEFLONATO | TUBE TEFLON | TEFLON TUBE | TEFLON ROHR | TUBO TEFLON |
| 2 | 955070 | | 1 | TUBO INOX | TUBE INOX | INOX TUBE | INOX ROHR | TUBO INOX |
| 3 | 905022 | | 1 | PIGNONE PER TUBO | PIGNON POUR TUYAU | TUBE SPROCKET | ROHR RITZEL | PIÑÓN PARA EL TUBO |
| 4 | 907661 | | 10 | RONDELLA DI PROTEZIONE | RONDELLE DE PROTECION | PROTECTION WASHER | SCHUTZ UNTERELEGSCHEIBE | ARANDELA DE PROTECCIÓN |
| 5 | 905710 | | 5 | RESISTENZA | RESISTANCE | HEATING ELEMENT | HEIZKÖRPER | RESISTENCIA |
| 6 | 906120 | | 4 | SEEGER | SEEGER | SEEGER | SEEGERSICHERUNG | SEEGER |
| 7 | 905021 | | 1 | PIGNONE MOTORE | PIGNON POUR MOTEUR | SPROCKET FOR MOTOR | RITZEL MOTOR | PIÑÓN PARA EL MOTOR |
| 8 | 905020 | | 1 | PIGNONE TENDICATENA | PIGNON TENDEUR CHAÎNE | STRETCHER SPROCKET | KETTEN PANNER RITZEL | PIÑÓN TENSACADENA |
| 9 | 903168 | | 1 | GRANO | VIS SANS TÊTE | GRUB SCREW | STELLSCHRAUBE | ESPIGA |
| 10 | 904776 | | 1 | PERNO TENDICATENA | TOURILLON TENDEUR CHAÎNE | STRETCHER PIN | KETTEN SPANNER STIFT | PERNO TENSACADENA |
| 11 | 906035 | | 2 | RONDELLA | RONDELLE | WASHER | UNTERLEGSCHEIBE | ARANDELA |
| 12 | 902010 | | 1 | DADO | ECROU | NUT | MUTTER | TUERCA |
| 13 | 901119 | | 1 | CATENA | CHAÎNE | CHAIN | KETTE | CADENA |
| 14 | 904755 | | 4 | PASSANTE IN STEATITE | ISOLANT EN STEATITE | STEATITE INSULATING | KERAMISCHER ISOLIERSTOPP | PASANTE ESTEATITA |
| 15 | 901107 | | 4 | TESTATE | TÊTES | HEADS | KOPF | CABEZALES |
| 16 | 903629 | | 1 | SPIA TERMOSTATO | LAMPE THERMOSTAT | THERMOSTAT LAMP | KONTROLLAMPE THERMOSTAT | LUZ TERMÓSTATO |
| 17 | 903980 | | 1 | MANOPOLA | BOUTON | KNOB | KNOPF | EMPUÑADURA |
| 18 | 903610 | | 1 | INTERRUTTORE DI LINEA | INTERRUPTEUR CIRCUIT | LINE SWITCH | DRUCKKNOPF LINIE | INTERRUPTOR DE LA LÍNEA |
| 19 | 904189 | | 1 | MOTORINO MERKLE-KORFF | MOTEUR MERKLE-KORFF | MERKLE-KORFF MOTOR | MERKLE-KORFF MOTOR | MOTOR MERKLE-KORFF |
| 19 | 904191 | | 1 | MOTORINO HEIDOLPH | MOTEUR HEIDOLPH | HEIDOLPH MOTOR | HEIDOLPH MOTOR | MOTOR HEIDOLPH |
| 20 | 907132 | | 1 | TERMOSTATO | THERMOSTAT | THERMOSTAT | THERMOSTAT | TERMÓSTATO |
| 21 | 904212 | | 1 | MORSETTIERA NYLON | BORNES | TERMINAL BOARD | KLEMMLEISTE | CAJA DE BORNES |
| 22 | 901176 | | 1 | STRUTTURA BASE | STRUCTURE BASE | STRUCTURE BASE | PRIMÄRGEFÜGE | ESTRUCTURA BASE |
| 23 | 904003 | | 2 | COPERTURA SPALLE | CARTER LATERAL | SIDE CASING | SEITLICH KASTEN | CUBIERTA LATERAL |
| 24 | 901146 | | 2 | SUPPORTO TEFLON | SUPPORT TEFLON | TEFLON SUPPORT | TEFLON SUPPORT | SOPORTE TEFLÓ |
| 25 | 900338 | | 1 | PORTARESISTENZE SX | SUPPORT RESISTANCE SX | HEATING ELEMENT SUPPORT SX | HEIZKORPER SUPPORT SX | SOPORTE RESISTENCIA SX |
| 26 | 900341 | | 1 | PORTARESISTENZE DX | SUPPORT RESISTANCE DX | HEATING ELEMENT SUPPORT DX | HEIZKORPER SUPPORT DX | SOPORTE RESISTENCIA DX |
| 27 | 901121 | | 1 | CASSETTO | TIROIR | DRAWER | SCHUBLADE | CAJÓN |
| 28 | 902783 | | 1 | FONDO BASE | FOND | BOTTOM COVER | UNTERSEITE | FONDO BASE |
| 29 | 900337 | | 2 | BLOCCARESISTENZA | BLOCAGE RESISTANSE | HEATING ELEMENT BLOCK | SPANNEISEN | BLOQUES DE LA RESISTENCIA |
| 30 | 902688 | | 1 | PRESSACAVO PG13.5 | FIXAGE DU CABLE D'ALIMENT. | FIXING CABLE | KABELBEFESTIGER | PRESACAVO |
| 31 | 902685 | | 1 | GHIERA PRESSACAVO PG13.5 | VIROLE | LOCK-NUT | NUT-MUTTER | ABRAZADERA PRESACAVO |
| 32 | 956542 | | 1 | PIASTRINA SUPPORTO BULBO | SUPPORT BULBE | SUPPORT BULB | ZWEIBEL SUPPORT | SOPORTE BULBO |
| 33 | 904960 | | 4 | PIEDINO | PIED SUPPORT | FEET | SOCKEL | PIÉ |