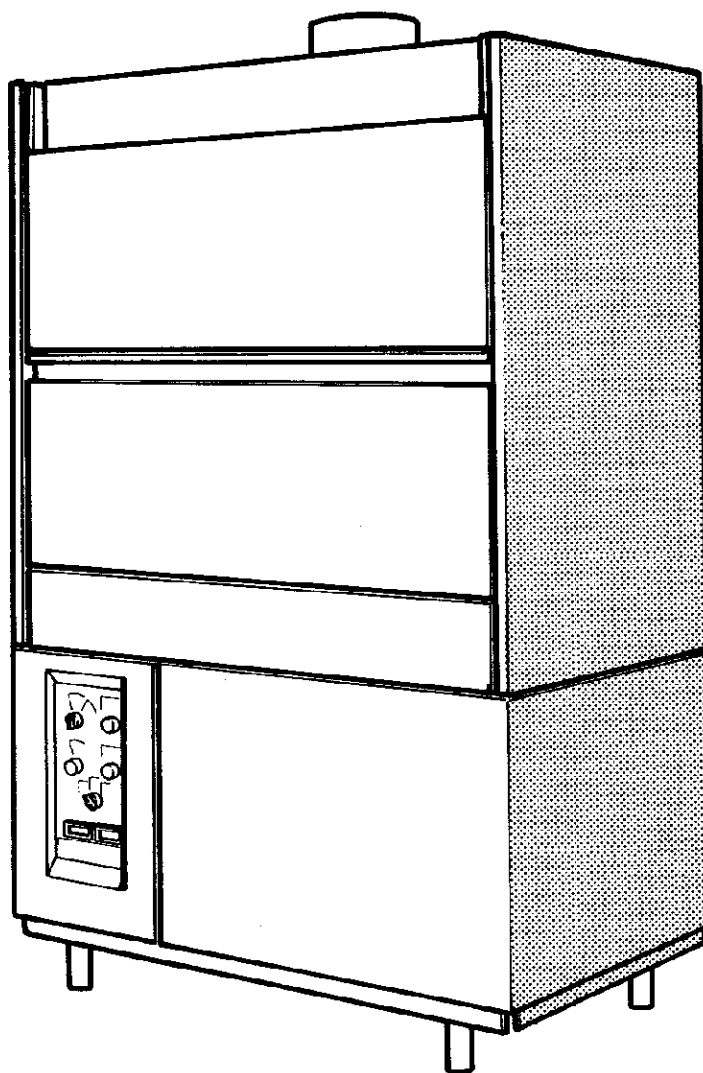


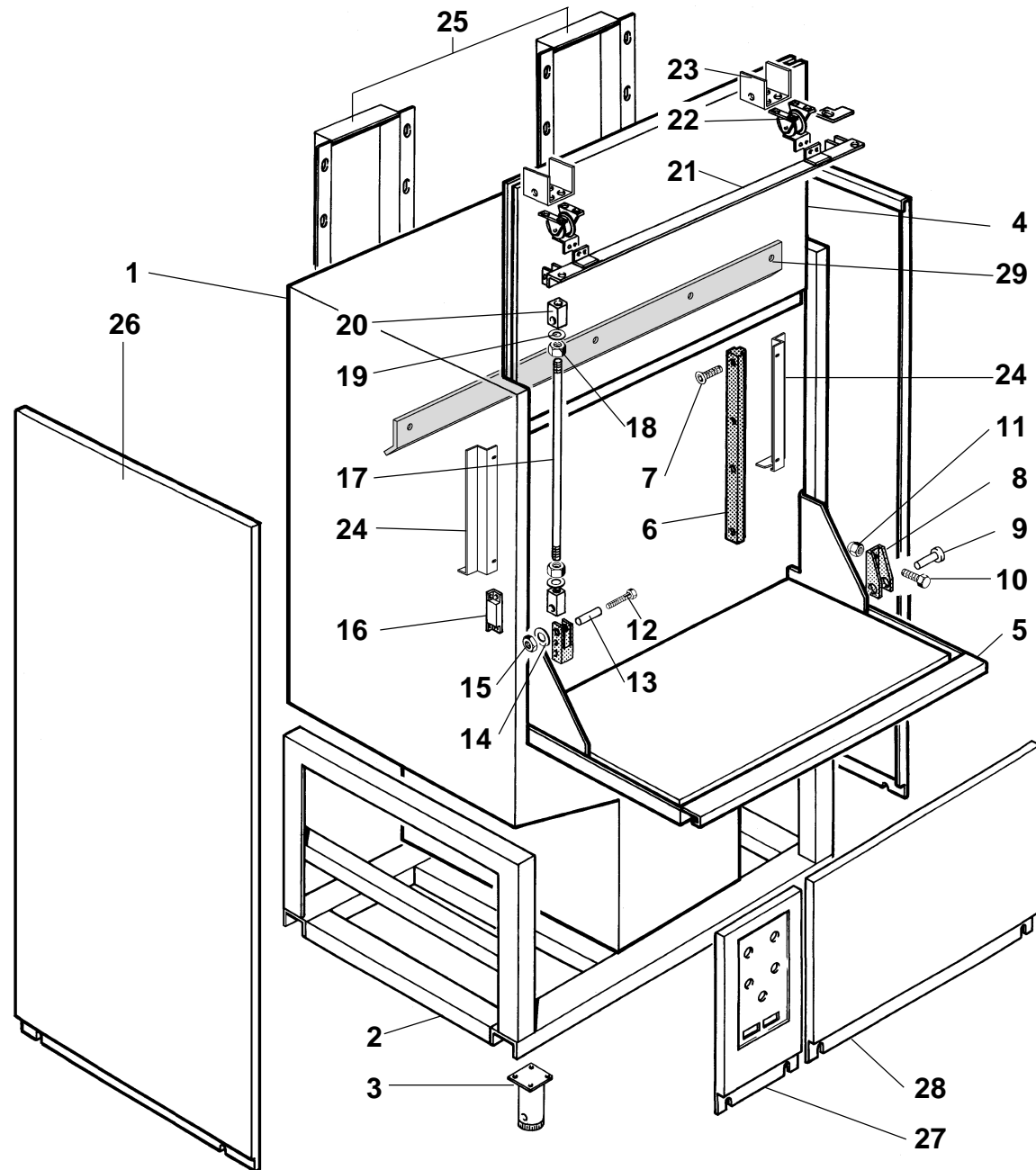
LAVAPENTOLE - LAVE BATTERIE - WAREWASHERS

TOPFSPUELER - LAVA OBJETOS - LAVA UTENSILIOS

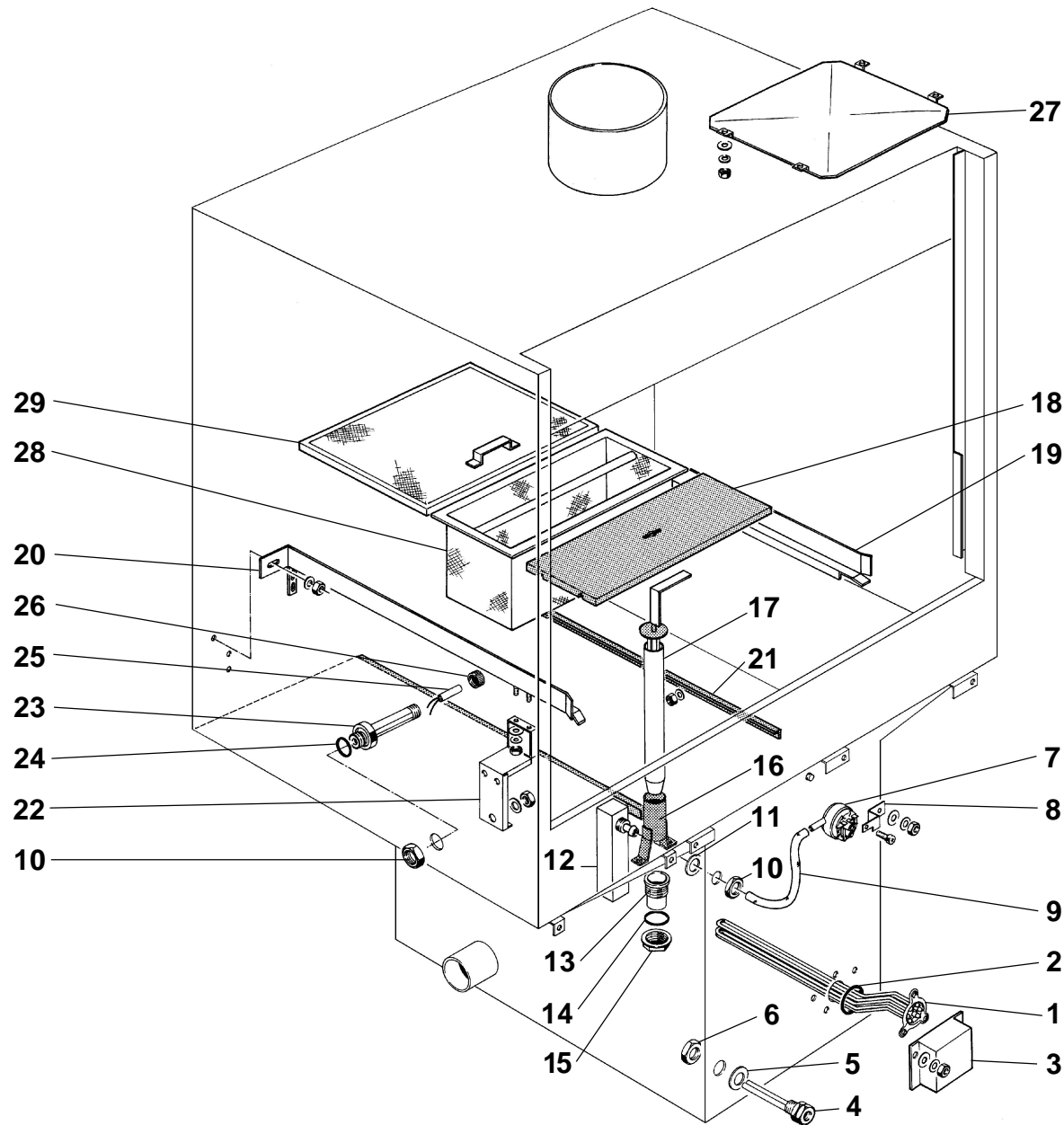
LP 124



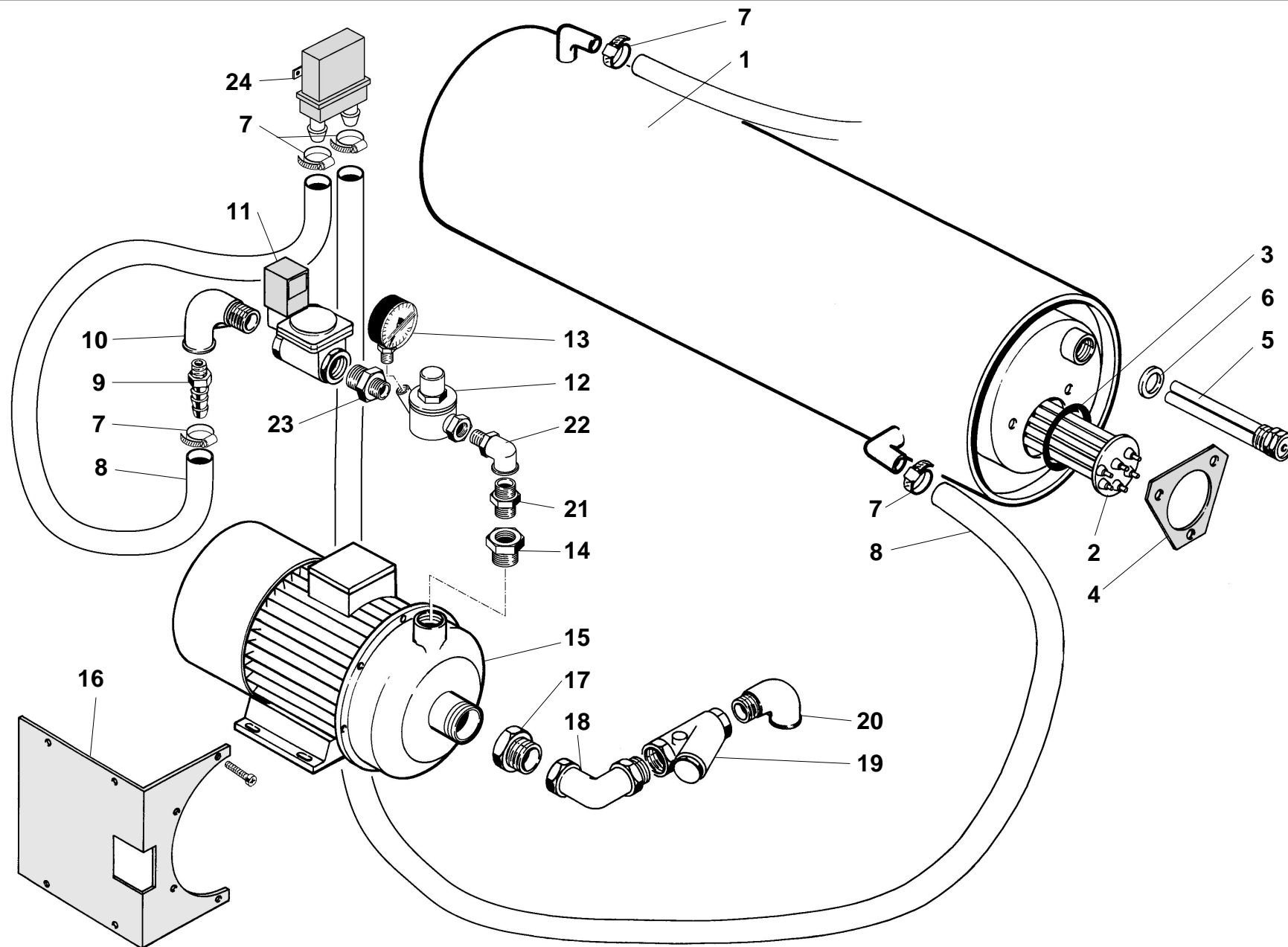
MANUALE DI RICAMBI
SPARE PARTS MANUAL
CATALOGUES PIÉCES
ERSATZTEILEKATALOG



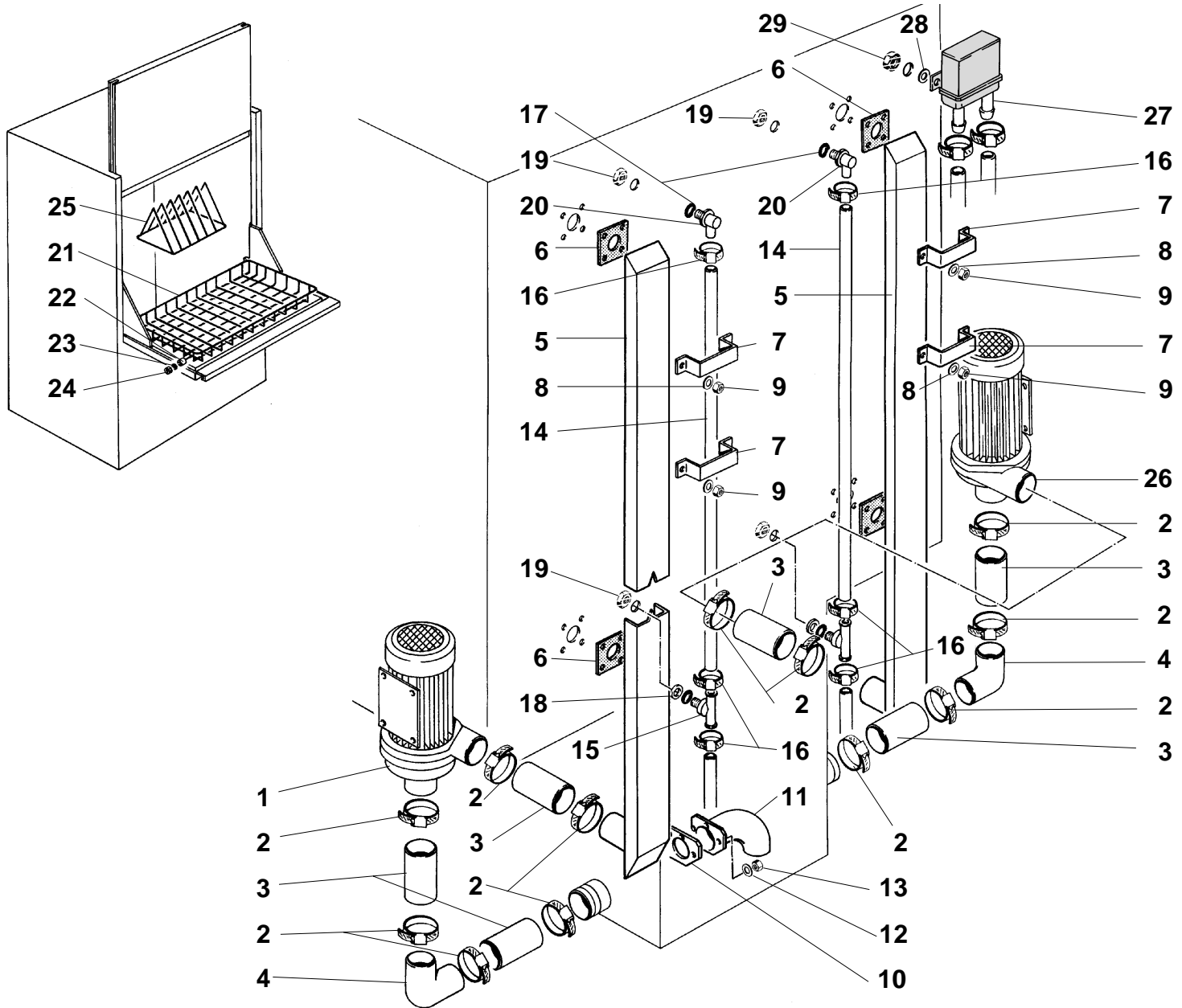
Pos	COD.	COD.	Q.TÀ	DESCRIZIONE	DENOMINATION	DESCRIPTION	BEZEICHNUNG	DESCRIPCIÓN
1	TR0942		1	VASCA	CUVE	TANK	TANK	PILETA
2	TR0943		1	BASAMENTO	CHASSIS	FRAME	RAHMEN	BASE
3	TR0295		4	PIEDE	PIED	FOOT	FÜSSE	PIÉ
4	TR0979		1	PORTA SUPERIORE	PORTE SUPERIEUR	UPPER DOOR	OBERER TÜR	PUERTA SUPERIOR
5	TR0982		1	PORTA INFERIORE	PORTE INFÉRIEUR	LOWER DOOR	UNTERER TÜR	PUERTA INFERIOR
6	TR0900		2	GUIDA SCORR. PORTA	RAIL PORTE	DOOR GUIDE	TÜR FÜHRUNG	GUIA DESLIZAMIENTO PUERTA
7	907856		8	VITE TS M5X30	VIS	SCREW	SCHRAUBE	TORNILLO
8	TR2447		2	CERNIERA PORTA	PATTE PORTE	DOOR SUPPORT	TÜR SCHARNIER	BISAGRA PUERTA
9	TR2446		2	PERNO PORTA	TOURILLON PORTE	DOOR PIN	TÜR SCHARNIERE STIFT	PERNO PUERTA
10	907782		4	VITE TE M6X16	VIS	SCREW	SCHRAUBE	TORNILLO
11	902040		4	DADO ATB M6	ECROU	NUT	MUTTER	TUERCA
12	907835		4	VITE TE M8X40	VIS	SCREW	SCHRAUBE	TORNILLO
13	TR0930		?	TUBETTO PASSANTE	TUYAU	PIPE	ROHR	TUBITO PASANTE
14	906040		4	RONDELLA D.8	RONDELLE	WASHER	SCHIBE	ARANDELA
15	902019		4	DADO ATB M8	ECROU	NUT	MUTTER	TUERCA
16	TR0220		1	CUSTODIA CON MAGNETE	GAINE AVEC MAGNETO	CASE WITH MAGNETIC	MAGNETE HAUSE	ESTUCHE CON IMÁN
17	TR0929		2	TIRANTE D.10	TIRANT	SCREW STAY	ZUGSTANGE	VARILLA
18	902022		4	DADO M10	ECROU	NUT	MUTTER	TUERCA
19	905941		?	RONDELLA GROWER D.10	RONDELLE	WASHER	UNTERLEGSCHIBE	ARANDELA GROWER
20	TR0931		4	BLOCCETTO FISSAGGIO	CALE DE FIXAGE	FIXING BLOCK	BLOCK	BLOQUE FIJADO
21	TR0899		1	SUPPORTO MOLLE	SUPPORT RESSORT	SPRING SUPPORT	FEDER TRÄGER	SOPORTE RESORTES
22	TR1859		2	MOLLA	RESSORT	SPRING	FEDER	RESORTE
23	TR1008		2	CAVALLOTTO MOLLE	CLOU À DEUX POINTES	RESSORT STAPLE	BÜGELBOLZEN	HIERRO RESORTES
24	TR0598		1	RINFORZO PORTA DX	RENFORT PORTE	DOOR STIFFENER	VERSTÄRKUNGSBLECH TÜR	REFUERZO PUERTA
24	TR0652		1	RINFORZO PORTA SX	RENFORT PORTE	DOOR STIFFENER	VERSTÄRKUNGSBLECH TÜR	REFUERZO PUERTA
25	TR0906		2	CARTER POSTERIORE	CARTER POSTERIEUR	BACK CASING	HINTERE KASTEN	CÁRTER POSTERIORE
26	TR0909		2	PANNELLO LATERALE	PANNEAU LATÉRAL	SIDE PANEL	SEITLICH HALTER	PANEL LATERAL
27	TR0913		1	PANNELLO COMANDI	PANNEAU COMMAND	CONTROL PANEL	SCHALT FELD	PANEL DE COMANDO
28	TR0908		1	PANNELLO ANTERIORE	PANNEAU ANTERIEUR	ANTERIOR PANEL	FRONT BLENDE	PANEL ANTERIOR
29	TR0924		1	PARASPRUZZI	GARDE-JETS	SPRAY GUARD	SPRITZSCHUTZ	SALPICADERO



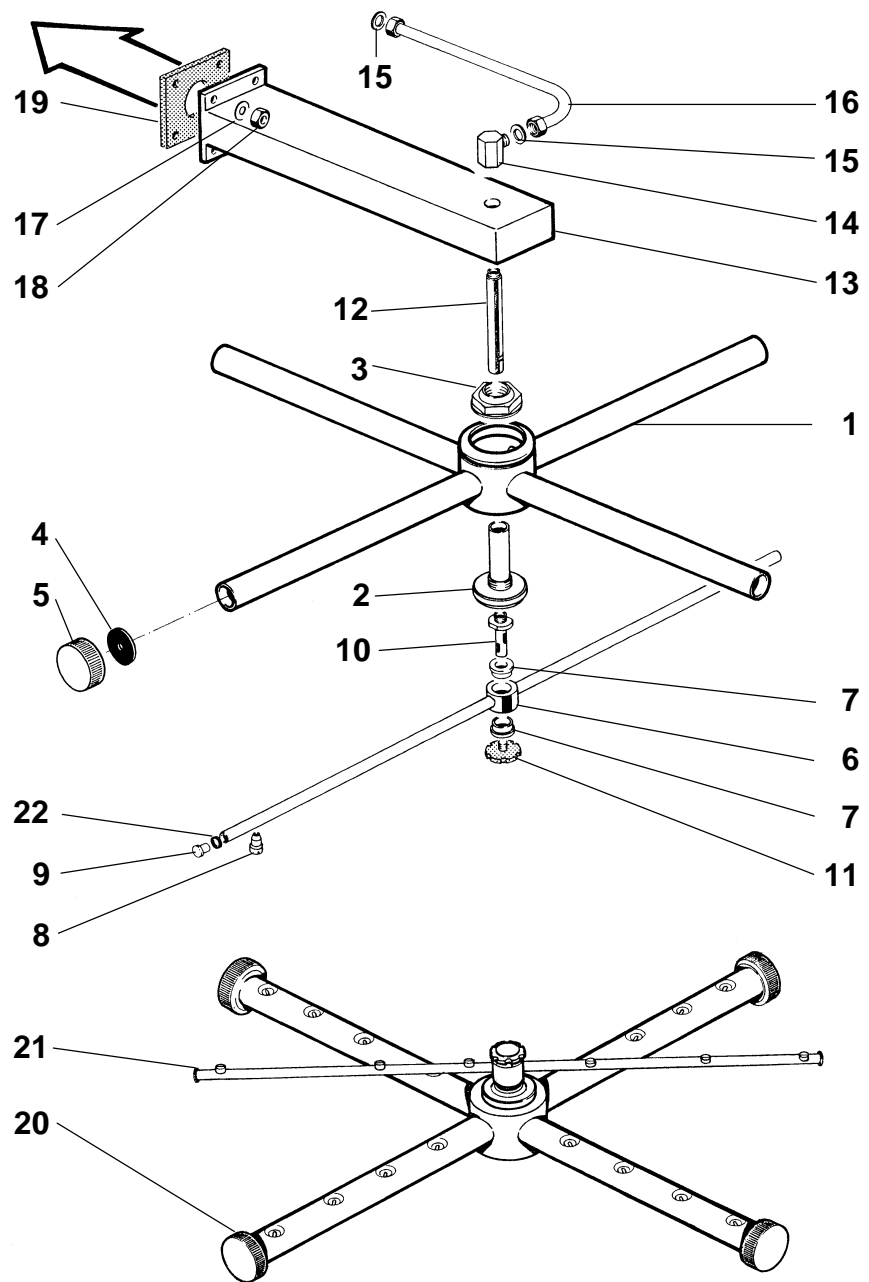
Pos	COD.	COD.	Q.TÀ	DESCRIZIONE	DENOMINATION	DESCRIPTION	BEZEICHNUNG	DESCRIPCIÓN
1	TR0335		1	RESISTENZA 8KW	RESISTANCE	HEATING ELEMENT	HEIZKÖRPER	RESISTENCIA
2	907981		1	O-RING	O-RING	O-RING	O-RING	O-RING
3	TR0536		1	COPRIRESISTENZA	PROTECTION RESISTANCE	HEATING COVER	HEIZKÖRPER SCHUTZ	CUBRERESISTENCIA
4	TR0298		1	PORTABULBO	SIEGE DE BULBE	SEATING BULB	KUGELSITZ	PORTABULBO
5	903250		1	GUARNIZIONE	JOINT	GASKET	DICHTUNG	GUARNICIÓN
6	902061		1	GHIERA 1/2"	VIROLE	LOCK NUT	NUT MUTTER	ABRAZADERA
7	905276		1	PRESSOSTATO 160/30	PRESSOSTAT	PRESSURE SWITCH	DRUCH WAECHTER	PRESÓSTATO
8	906399		1	SUPP. PRESSOSTATO	SUPPORT PRESSOSTAT	PRESSURE SWITCH SUPP.	DRUCH WAECHTER TRAGER	SOPORTE PRESÓSTATO
9	907271		1	TUBETTO PRESSOSTATO	TUYAU PRESSOSTAT	PRESSURE SWITCH PIPE	SCHLAUCH	TUBITO PRESÓSTATO
10	902100		1	GHIERA 3/8"	VIROLE	LOCK NUT	NUT MUTTER	ABRAZADERA
11	903260		1	GUARNIZIONE	JOINT	GASKET	DICHTUNG	GUARNICIÓN
12	TR0935		1	TRAPPOLARIA	RESERVOIR	AIR TRAP	LUFTFALLE	TRAMPA DEL AIRE
13	905450		1	RACCORDO SCARICO 1"1/4	RACCORD DE DECHARG.	OUTLET PIPE FITTING	ABLAUFANSCHLUSS	EMPALME DESAGOTE
14	904380		1	O-RING	O-RING	O-RING	O-RING	O-RING
15	902080		1	GHIERA 1"1/4	VIROLE	LOCK NUT	NUT MUTTER	ABRAZADERA
16	TR0933		1	GUIDA TROPPOPIENO	COULISSE NIVEAU	OVER FLOW GUIDE	UBERLAUFROHR KORB.	GUIA DEMASIADO LLENO
17	TR0938		1	TROPPOPIENO	NIVEAU	OVER FLOW	UBERLAUFROHR	DEMASIADO LLENO
18	TR0914		1	TRAVERSA GUIDA TROPPOPIENO	SUPP. COULISSE NIVEAU	OVER FLOW GUIDE SUPP.	UBERLAUFROHR TRAG.	TRAVESAÑO GUIA DEMAS. LLENO
19	TR0918		1	GUIDA CESTELLO DX	COULISSE PANIER DROITE	RIGHT BASKET GUIDE	RECHTE KORBUFÜHRUNG	GUIA DERECHA CANASTO
20	TR0919		1	GUIDA CESTELLO SX	COULISSE PANIER GAUCHE	LEFT BASKET GUIDE	LINKE KORBUFÜHRUNG	GUIA IZQUIERDA CANASTO
21	TR0968		1	GUIDA FILTRO DX	COULISSE FILTRE DROITE	RIGHT FILTER GUIDE	RECHTE FILTER TRÄGER	GUIA DERECHA FILTRO
21	TR0969		1	GUIDA FILTRO SX	COULISSE FILTRE GAUCHE	LEFT FILTER GUIDE	LINKE FILTER TRÄGER	GUIA IZQUIERDA FILTRO
22	TR0917		2	SUPP. GUIDA CESTELLO	SUPP. COULISSE PANIER	BASKET GUIDE SUPPORT	KORBUFÜHRUNG TRAG.	SOPORTE GUIA CANASTO
23	TR0995		1	MICROPORTA	MICROPORTE	MICRO SWITCH	MICROSCHALTER	MICROPUERTA
24	904330		1	O-RING	O-RING	O-RING	O-RING	O-RING
25	TR0309		1	REED	REED	REED	REED	REED
26	906453		1	TAPPO DI CHIUSURA	BOUCHON	PLUG	PROPFEN	TAPÓN DE CERRADURA
27	TR0922		1	PARASPRUZZI	GARDE-JETS	SPRAY GUARD	SPRITZSCHUTZ	SALPICADERO
28	TR0915		1	FILTRO VASCA	FILTRE CUVE	TANK SCREEN	TANK FILTER	FILTRO PILETA
29	TR0916		1	SCIVOLO VASCA	GLISSIERE	STRAINER	RUTSCHE	RAMPAPILETA

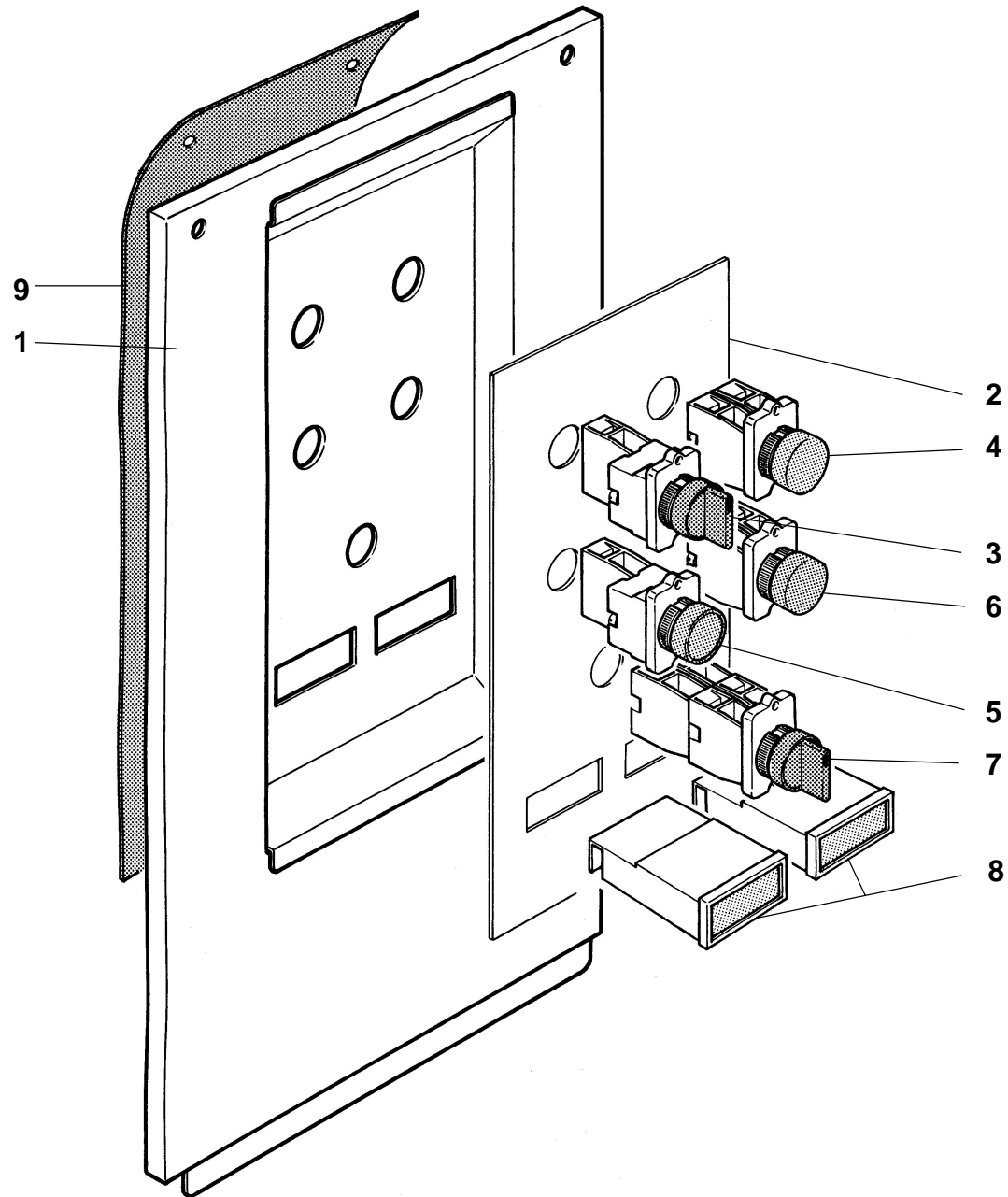


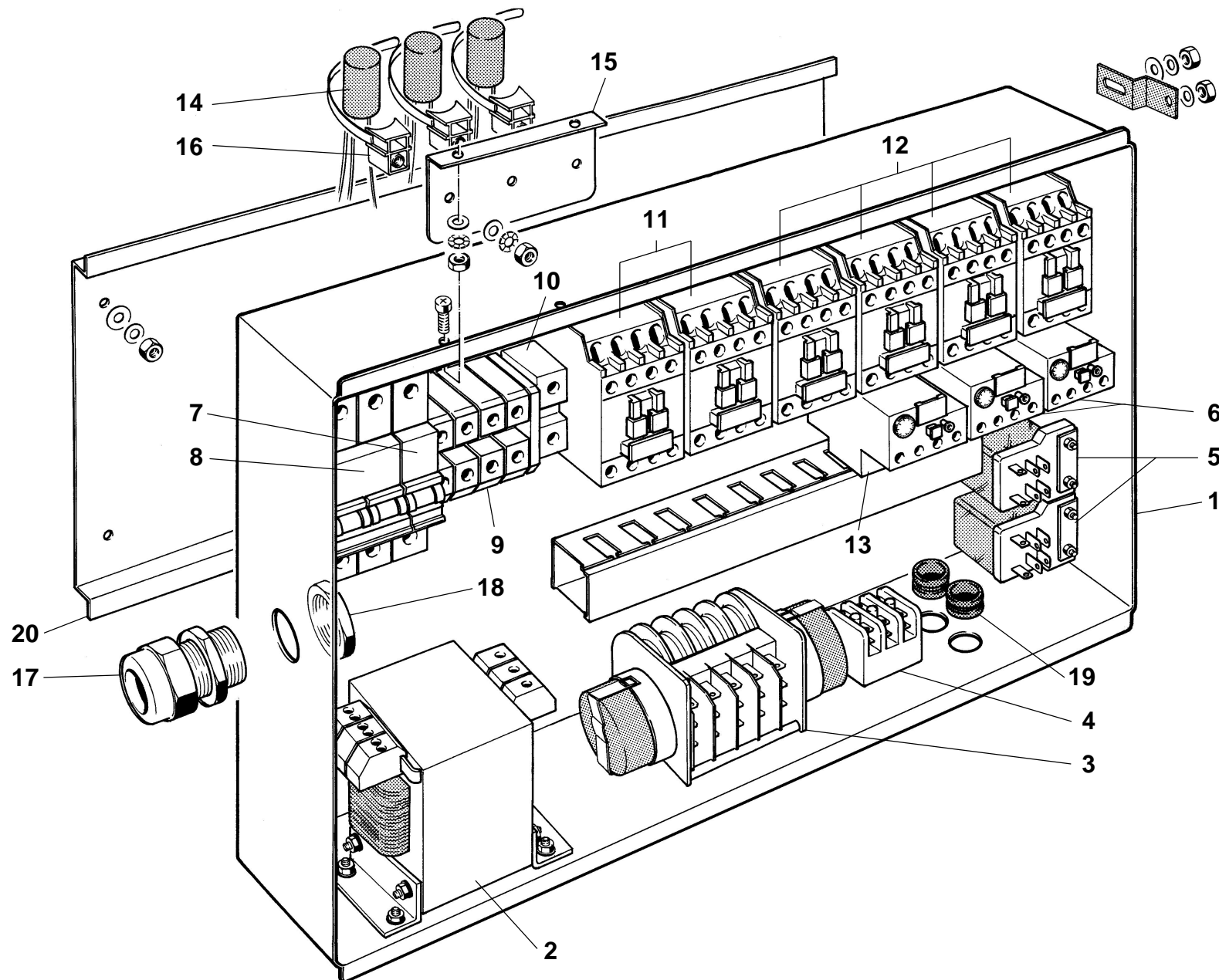
Pos	COD.	COD.	Q.TÀ	DESCRIZIONE	DENOMINATION	DESCRIPTION	BEZEICHNUNG	DESCRIPCIÓN
1	TR1100		1	BOILER	SURCHAUFFEUR	BOILER	HEISSWASSERSPEICER	BOILER
2	TR0330		1	RESISTENZA 12KW	RESISTANCE	HEATING ELEMENT	HEIZKORPER	RESISTENCIA
3	TR0200		1	O-RING	O-RING	O-RING	O-RING	O-RING
4	TR2096		1	FLANGIA	FLASQUE	FLANGE	FLANSCH	SOPORTE
5	TR0298		1	PORTABULBO	SIÈGE DE BULBE	SEATING BULB	KUGELSITZ	PORTABULBO
6	903250		1	GUARNIZIONE	JOINT	GASKET	LIPPENRING	GUARNICIÓN
7	902450		3	FASCETTA 15÷24	COLLIER	CLAMP	SHELLE	ABRAZADERA
8	907350		2	TUBO 12x22	TUYAU EN CAOUTCHOUC	RUBBER PIPE	GUMMISCHLAUCH	TUBO
9	907940		1	PORTAGOMMA 3/4"	RACCORD	HOSE BARB	ANSCHLUSS	GOME PARA PUERTA
10	TR2421		1	GOMITO M/F 3/4"	COUDE	ELL	KNIESTUCK	CODO
11	TR0090		1	ELETTRIVALVOLA 3/4"	ELECTROVANNE	SOLENOID VALVE	ELEKTROVENTIL	VALVULA ELECTRICA
12	TR0371		1	RIDUTTORE DI PRESS. 1/2"	REDUCTEUR	PRESSURE REDUCER	DRUCKMINDERER	REDUCTOR DE PRECIÓN
13	TR0244		1	MANOMETRO	MANOMETRE	PRESSURE GANGE	DRUCKMESSER	MANÓMETRO
14	TR2369		1	RIDUZIONE 1" -1/2"	REDUCTION	REDUCTION	VERMINDERUNG	REDUCCIÓN
15	902360		1	POMPA 0,75 HP	POMPE	PUMP	PUMPE	BOMBA
16	TR0657		1	SUPPORTO POMPA	SUPPORT POUR POMPE	PUMP SUPPORT	PUMPE SUPPORT	SOPORTE BOMBA
17	TR2361		1	RIDUZIONE 1" 1/4-1"	REDUCTION	REDUCTION	VERMINDERUNG	REDUCCIÓN
18	TR2330		1	BOCCHETTONE CURVO 1"	GOULOTTE	UNION ELL	KNIESTUCK	RAMPA DE DESAGÜE CURVO
19	TR0121		1	FILTRO 1"	FILTRE	FILTER	FILTER	FILTRO
20	TR2422		1	GOMITO M/F 1"	COUDE	ELL	KNIESTUCK	CODO
21	TR2322		1	NIPPL0 1/2"	NIPPLES	NIPPLE	NIPPLE	NIPLE
22	TR2329		1	BOCCHETTONE CURVO 1/2"	GOULOTTE	UNION ELL	KNIESTUCK	RAMPA DE DESAGÜE CURVO
23	TR2347		1	NIPPLORIDOTTO 3/4" -1/2"	NIPPLES	NIPPLE	NIPPLE	NIPLE REDUCCIÓN
24	907460		1	VALVOLA ANTIRITORNO	SOUPAPE ANTIRETOUR	SAFETY VALVE	RUCKSCHLAGVENTIL	VALVULA ANTIREGRESO

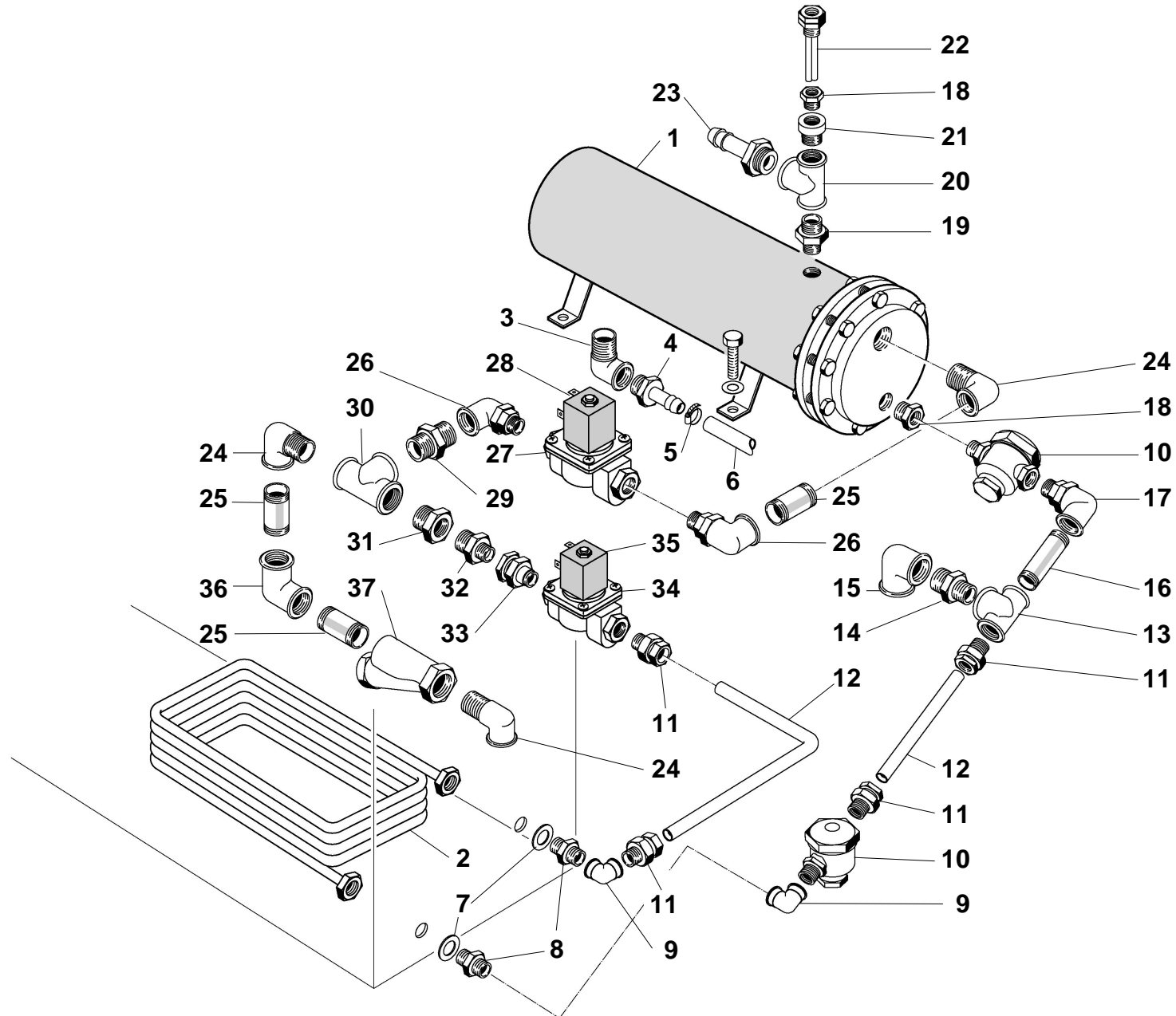


Pos	COD.	COD.	Q.TÀ	DESCRIZIONE	DENOMINATION	DESCRIPTION	BEZEICHNUNG	DESCRIPCIÓN
1	T R0080		1	POMPA 2,7 HP DX	POMPE	PUMP	PUMPE	BOMBA
2	902490		12	FASCETTA 58÷75	COLLIER	CLAMP	SCHELLE	ABRAZADERA
3	T R0710		6	MANICOTTO	MANCHON	JOINT PIPE	VERBINDUNG	PALANCA
4	T R0715		2	GOMITO	COUDE	ELBOW	ROHRKNE	CODO
5	T R0925		2	COLONNA LAVAGGIO	COLONNA DE LAVAGE	WASHING PIPE	SPÜLUNGSAULE	COLUMNA LAVADO
6	903381		4	GUARNIZIONE	JOINT	GASKET	DICHTUNG	GUARNICIÓN
7	T R0978		4	STAFFA DI FISSAGGIO	EQUERRE DE BLOPAGE	BLOCK BRACKET	SPANNEISEN	ESTRIBO DE FIJADO
8	906020		8	RONDELLA D.6	RONDELLE	WASHER	UNT ERLGESCHIBE	ARANDELA
9	902010		8	DADO M6	ECROU	NUT	MUTTER	TUERCA
10	T R0189		1	GUARNIZIONE	JOINT	GASKET	DICHTUNG	GUARNICIÓN
11	T R0977		1	RACCORDO VASCA ASPIR.	RACCORD CUVÉ	PIPE FITTING	ANSCHLUSSE	EMPALME TINA DE ASPIRACIÓN
12	906040		3	RONDELLA D.8	RONDELLE	WASHER	UNT ERLGESCHIBE	ARANDELA
13	902020		3	DADO M8	ECROU	NUT	MUTTER	TUERCA
14	907350		4	TUBO 12X22	TUYAU EN CAOUTCHOUC	RUBBER PIPE	GUMMISCHLAUCH	TUBO
15	905407		2	RACC. RISCIACQUO INFER.	RACCORD. RINÇAGE INF.	PIPE FITTING	ANSCHLUSSE	EMPALME ENJUAGUE INFERIOR
16	902450		6	FASCETTA 15÷24	COLLIER	CLAMP	SCHELLE	ABRAZADERA
17	904330		2	O-RING	O-RING	O-RING	O-RING	O-RING
18	903402		2	GUARNIZIONE	JOINT	GASKET	DICHTUNG	GUARNICIÓN
19	902100		4	GHIERA 3/8" GAS	VIROLE	LOCK NUT	NUT MUTTER	ABRAZADERA
20	907933		2	RACC. RISCIACQUO SUPER.	RACCORD RINÇAGE SUP.	PIPE FITTING	ANSCHLUSSE	EMPALME ENJUAGUE SUPERIOR
21	T R0927		1	CESTELLO	PANIER	BASKET	KORB	CANASTO
22	T R0984		4	RUOTA CESTELLO	ROUE POUR PANIER	BASKET WHEEL	RÄDCHE	RUEDA CANASTO
23	906040		4	RONDELLA D.8	RONDELLE	WASHER	SCHIBE	ARANDELA
24	902019		4	DADO AT B M6	ECROU	NUT	MUTTER	TUERCA
25	T R0926		1	PORTATEGLIE	ÉGUTTOIR	PLATE RACK	BRETT	PORTA TORTERA
26	T R0079		1	POMPA 2,7 HP SX	POMPE	PUMP	PUMPE	BOMBA
27	907460		1	VALVOLA ANTIRITORNO	SOUPAPE ANTIRETOUR	SAFETY VALVE	RUCKSCHLAGVENTIL	VALVOLA ANTIREGRESO
28	903290		1	GUARNIZIONE	JOINT	GASKET	DICHTUNG	GUARNICIÓN
29	T R0138		1	GHIERA PG 21	VIROLE	LOCK NUT	NUT MUTTER	ABRAZADERA









Pos	COD.	COD.	Q.TÀ	DESCRIZIONE	DENOMINATION	DESCRIPTION	BEZEICHNUNG	DESCRIPCIÓN
1	TR 1080		1	BOILER 30.000 CAL.	SURCHAUFFEUR	BOILER	HEISSWASSERSPEICHER	BOILER
2	TR 0466		1	SERPENTINA 9.000 CAL.	SERPENTIN VAPEUR	STEAM COIL	DAMPFSCHANG	SERPENTINA
3	TR 2420		1	RACCORDO GOMITO ½"	RACCORD	PIPE FITTING	ANSCHLUSSE	EMPALME A CODO
4	TR 2375		1	RACCORDO PORTAGOMMA ½"	RACCORD	PIPE FITTING	ANSCHLUSSE	EMPALME GOME PARA PUERTA
5	902450		1	FASCETTA 15÷24	COLLIER	CLAMP	SHELLE	ABRAZADERA
6	907350		1	TUBO GOMMA 12x22	TUYAU EN CAOUTCHOUC	RUBBER PIPE	GUMMISCHLAUCH	TUBO GOMA
7	904992		2	GUARNIZIONE	JOINT	GASKET	DICHTUNG	GUARNICIÓN
8	TR 2319		2	NIPPLO ½"	NIPPLES	NIPPLE	NIPPLE	NIPLE
9	TR 2437		2	RACCORDO GOMITO ½"	RACCORD	PIPE FITTING	ANSCHLUSSE	EMPALME A CODO
10	TR 0316		2	SCARICATORE CONDENSE	DESCHARGEUR CONDENSE	STEAM TRAP	KONDENSWASSER ABSCHIEDER	DESCARGA CONDENSACIÓN
11	TR 2223		3	RACCORDO ½"	RACCORD	PIPE FITTING	ANSCHLUSSE	EMPALME
12	952205		2	TUBO RAME Ø 18	TUBE EN CUIVRE	COPPER PIPE	KUPFER ROHR	TUBO DE COBRE
13	TR 2402		1	RACCORDO 3 VIE ½"	RACCORD	PIPE FITTING	ANSCHLUSSE	EMPALME 3 DIRECCIONES
14	TR 2347		1	NIPPLO RIDOTTO ¾"-½"	NIPPLES	NIPPLE	NIPPLE	NIPLE REDUCCIÓN
15	TR 2439		1	RACCORDO GOMITO ¾"	RACCORD	PIPE FITTING	ANSCHLUSSE	EMPALME A CODO
16	952209		1	TUBO ZINCATO ½"-½"	TUYAU	PIPE	ROHR	TUBO CINC
17	TR 2333		1	BOCCHETTONE CURVO ½"	GOULOTTE	PIPE UNION	STUTZEN	RAMPA DE DESAGÜE CURVO
18	TR 2366		2	RIDUZIONE ¾"-½"	REDUCTION	REDUCTION	VERMINDERUNG	REDUCCIÓN
19	TR 2316		1	NIPPLO ¾"	NIPPLES	NIPPLE	NIPPLE	NIPLE
20	TR 2400		1	RACCORDO 3 VIE ¾"	RACCORD	PIPE FITTING	ANSCHLUSSE	EMPALME 3 DIRECCIONES
21	TR 2445		1	PROLUNGA ¾"	PROLUNGEMENT	EXTENSION CORD	LEITUNGSTRECKER	PROLONGACIÓN
22	TR 0298		1	PORTABULBO	SIEGE DE BULBE	SEATING BULB	KUGELSITZ	PORTABULBO
23	907890		1	RACCORDO PORTAGOMMA ¾"	RACCORD	PIPE FITTING	ANSCHLUSSE	EMPALME GOME PARA PUERTA
24	TR 2422		3	RACCORDO GOMITO 1"	RACCORD	PIPE FITTING	ANSCHLUSSE	EMPALME A CODO
25	952211		2	TUBO ZINCATO 1"-1"	TUYAU	PIPE	ROHR	TUBO CINC
26	TR 2330		2	BOCCHETTONE CURVO 1"	GOULOTTE	PIPE UNION	STUTZEN	RAMPA DE DESAGÜE CURVO
27	TR 0094		1	ELETTRIVALVOLA 1"	ELECTROVANNE	ELECTRIC VALVE	ELEKTROVENTIL	VALVULA ELECTRICA
28	TR 0104		1	BOBINA 24V	BOBINE	COIL	SPULE	BOBINA
29	TR 2312		1	NIPPLO 1"	NIPPLES	NIPPLE	NIPPLE	NIPLE
30	TR 2401		1	RACCORDO 3 VIE 1"	RACCORD	PIPE FITTING	ANSCHLUSSE	EMPALME 3 DIRECCIONES
31	TR 2369		1	RIDUZIONE 1"-½"	REDUCTION	REDUCTION	VERMINDERUNG	NIPLE
32	TR 2322		1	NIPPLO ½"	NIPPLES	NIPPLE	NIPPLE	REDUCCIÓN
33	TR 2335		1	BOCCHETTONE DIRITTO ½"	GOULOTTE	PIPE UNION	STUTZEN	RAMPA DE DESAGÜE RECTO
34	TR 0092		1	ELETTRIVALVOLA ½"	ELECTROVANNE	ELECTRIC VALVE	ELEKTROVENTIL	VALVULA ELECTRICA
35	TR 0103		1	BOBINA 24V	BOBINE	COIL	SPULE	BOBINA
36	TR 2438		1	RACCORDO GOMITO 1"	RACCORD	PIPE FITTING	ANSCHLUSSE	EMPALME A CODO
37	TR 0121		1	FILTRO 1"	FILTRE	FILTER	FILTER	FILTRO