

LAVASTOVIGLIE A TRAINO

TS2400DX - TS3700DX - TSA3700DX

TS4600DX - TSA4600DX

DOPPIO RISCIAQUO ED.2000

TAV. 15

Pos	COD.	COD.	Q.TÀ	DESCRIZIONE	DENOMINATION	DESCRIPTION	BEZEICHNUNG	DESCRIPCIÓN
1	TR 0624		1	CAPOTE DOPPIO RISC. DX	CAPOTE	HOOD	GEHÄUSE	CAPOT DOBLE ENJUAGUE DER.
2	TR 2098		1	PORTA	PORTE	DOOR	TÜR	PUERTA
3	TR 1079		2	GUIDA SCORRIM. PORTA	RAIL	GUIDE	FÜHRUNG	GUIA DESLIZAMIENTO PUERTA
4	TR 2002		1	PARASPRUZZI	GARDE-JETS	SPRAY-GUARD	SPRITZBLECH	SALPICADERO
5	TR 2185		1	FERMO PORTA	ARRET DE PORTE	SPRING LOCK	FEST TÜR	TOPE PUERTA
6	TR 1008		2	SQUADR. FISSAGGIO MOLLA	EQUERRE POUR RESSORT	SPRING SUPPORT	FEDER TRÄGER	ANGULAR FIJADO RESORTE
7	TR 0999		4	SUPP. SCORRIMENTO PORTA	SUPPORT POUR RESSORT	SPRING SUPPORT	FEDER TRÄGER	SOP. DESLIZAMIENTO PUERTA
8	TR 1854		2	MOLLA PORTA	RESSORT	SPRING	FEDER	RESORTE PUERTA
9	TR 0607		2	AGGANCIO MOLLA	CROCHET RESSORT	SPRING HOOKING	KUPPLUNG FEDER	AGGANCIO MOLLA
10	TR 0220		1	CUSTODIA CON MAGNETE	PROTECTION MAGNETO	COVER MAGNET	MAGNETSCHUTZ	ESTUCHE CON IMÁN
11	TR 0620		1	BLOCCO SICUREZZA PORTA	BLOC DE SÉCURITÉ PORTE	SAFETY DOOR CATCH	BLOCK TÜR	BLOQUEO DE SEGUR. PUERTA
12	TR 0460		1	TENDINA	RIDEAU	CURTAIN	SPRITZSCHUTZ	CORTINILLA
13	TR 2034		1	ALBERO PER TENDINA	ARBRE RIDEAU	CURTAIN ROD	HALTERUNG	EJE PARA CORTINILLA
14	TR 2162		2	SQUADRETTA TENDINA	EQUERRE RIDEAU	BRACKET CURTAIN	WINKEL SPRITZSCHUTZ	ANGULAR CORTINILLA
15	TR 2206		1	MICRO PORTA PER ECONOM.	MICRO PORTE ECONOMISEUR	DOOR SWITCH ECONOMISER	MICRO SPARSCHALTER	MICRO PUERTA PARA ECON.
16	904330		1	O-RING	O-RING	O-RING	O-RING	O-RING
17	902100		1	DADO 3/8" GAS	ECROU	NUT	MUTTER	TUERCA
18	907460		1	VALVOLA ANTIRITORNO	VALVE	VALVE	VENTIL	VALVULA ANTIREGRESO
19	903290		1	GUARNIZIONE	JOINT	GASKET	DICHTUNG	GUARNICIÓN
20	TR 0138		1	GHIERA PG 21	VIROLE	LOCK NUT	NUT MUTTER	ABRAZADERA
21	TR 0645		2	SUPP. GUIDA CESTELLISX	SUPPORT COULISSE	SUPPORT GUIDE	FÜHRUNG HALTERUNG	SOP. GUIA CANASTRO IZQUIERDA
22	TR 0644		2	SUPP. GUIDA CESTELLIDX	SUPPORT COULISSE	SUPPORT GUIDE	FÜHRUNG HALTERUNG	SOP. GUIA CANASTO DERECHO
23	TR 2205		2	SUPPORTO GUIDA CESTELLI	SUPPORT COULISSE	SUPPORT GUIDE	FÜHRUNG HALTERUNG	SOPORTE GUIA CANASTO
24	TR 0644		1	GUIDA CESTELLIDX	COULISSE PANIER DROITE	RIGHT BASKET GUIDE	RECHTE KORBUFÜHRUNG	GUIA CANASTO DERECHO
24	TR 0645		1	GUIDA CESTELLISX	COULISSE PANIER GAUCHE	LEFT BASKET GUIDE	LINKE KORBUFÜHRUNG	GUIA CANASTO DERECHO
25	TR 2163		2	SQUADR. USCITA CESTELLI	EQUERRE SORTIE PANIER	BRACKET UNLOADING TRACK	AUSLAUF WINKEL KORBUF.	ANGULAR SALIDA CANASTO

LAVASTOVIGLIE A TRAINO

TS2400DX - TS3700DX - TSA3700DX

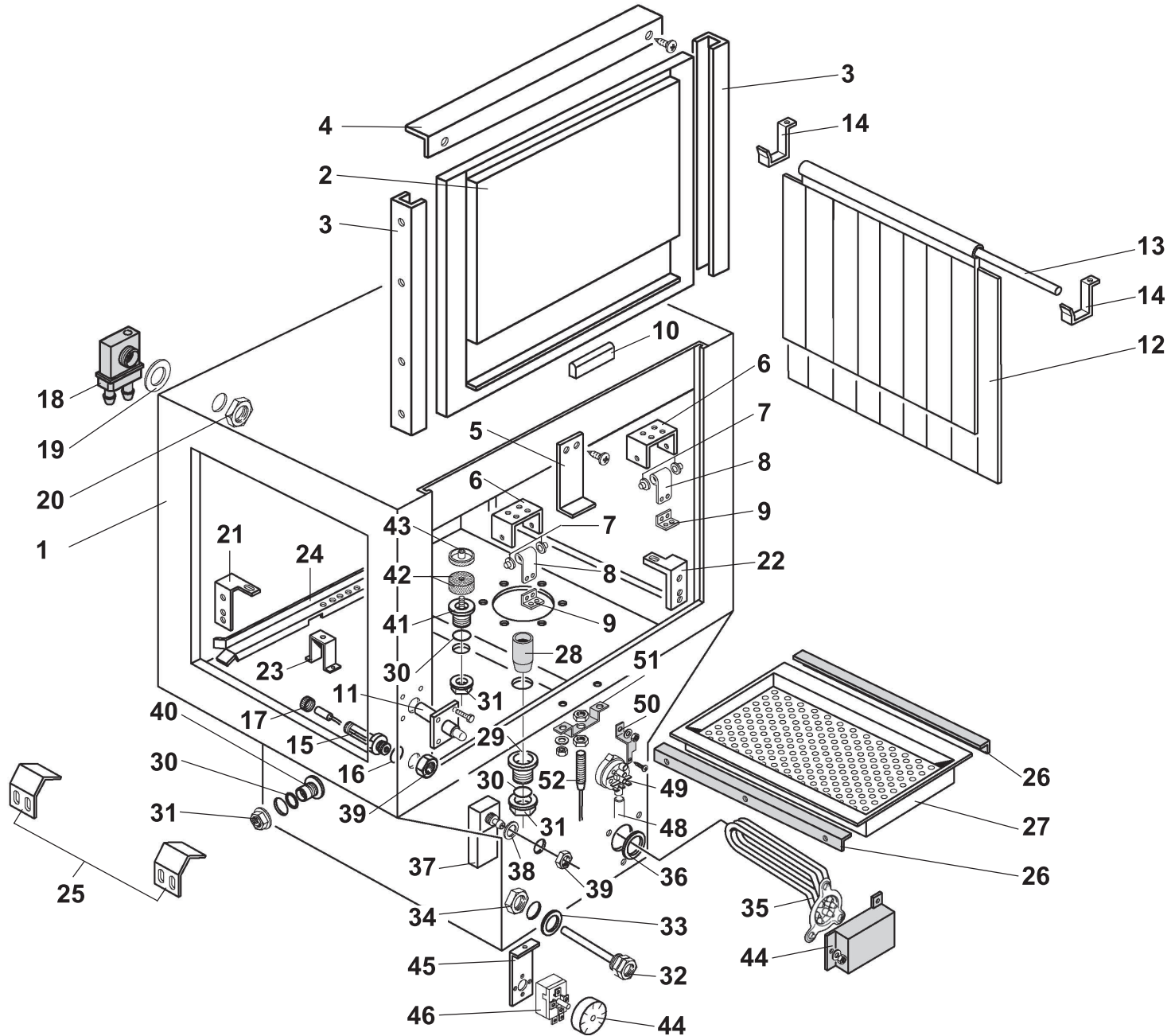
TS4600DX - TSA4600DX

DOPPIO RISCIAQUO

ED.2000

TAV. 15

Pos	COD.	COD.	Q.TÀ	DESCRIZIONE	DENOMINATION	DESCRIPTION	BEZEICHNUNG	DESCRIPCIÓN
26	TR 2202		1	GUIDA FILTRO DX	COULISSE FILTRE DROITE	RIGHT FILTER GUIDE	RECHTE FILTER FÜHRUNG	GUIA DERECHA FILTRO
26	TR 2203		1	GUIDA FILTRO SX	COULISSE FILTRE GAUCHE	LEFT FILTER GUIDE	LINKE FILTER FÜHRUNG	GUIA IZQUIERDA FILTRO
27	TR 2017		1	FILTRO SUPERFICIE	FILTRE	FILTER	FILTER	FILTRO EN SUPERFICIE
28	TR 2204		1	TROPPOPIENO	NIVEAU	OVER FLOW	UBERLAUFROHR	DEMASIADO LLENO
29	TR 1234		1	RACCORDO 1" ¼	RACCORD	PIPE FITTING	ABLAUFANSCHLUSS	EMPALME
30	904380		3	O-RING	O-RING	O-RING	O-RING	O-RING
31	902080		3	GHIERA 1" ¼	VIROLE	LOCK NUT	NUT MUTTER	ABRAZADERA
32	905191		1	PORTABULBO	SIÈGE DE BULBE	SEATING BULB	KUGELSITZ	PORTABULBO
33	903250		1	GUARNIZIONE	JOINT	GASKET	DICHTUNG	GUARNICIÓN
34	902110		1	GHIERA ½"	VIROLE	LOCK NUT	NUT MUTTER	ABRAZADERA
35	905560		1	RESISTENZA 4500 W	RESISTANCE	HEATING ELEMENT	HEIZKÖRPER	RESISTENCIA
36	907981		1	O-RING	O-RING	O-RING	O-RING	O-RING
37	907252		1	TRAPPOLA ARIA	RESERVOIR AIR	AIR TRAP	LUFTFALLE	TRAMPA DEL AIRE
38	903260		1	GUARNIZIONE	JOINT	GASKET	DICHTUNG	GUARNICIÓN
39	902100		2	GHIERA 3/8"	VIROLE	LOCK NUT	NUT MUTTER	ABRAZADERA
40	905450		1	RACCORDO 1" ¼	RACCORD	PIPE FITTING	ABLAUFANSCHLUSS	EMPALME
41	905380		1	RACCORDO ASPIRAZIONE	RACCORD	PIPE FITTING	ABLAUFANSCHLUSS	EMPALME DE ASPIRACIÓN
42	902580		1	FILTRO VASCA	FILTRE	FILTER	FILTER	FILTRO TINA
43	902850		1	GHIERA FILTRO	VIROLE	LOCK NUT	NUT MUTTER	ABRAZADERA DEL FILTRO
44	TR 1099		1	COPRIRESISTENZA	PROTECTION RESISTANCE	HEATING COVER	HEIZKÖRPER SCHUTZ	CUBRERESISTENCIA
45	TR 2144		1	SQUADRETTA TERMOSTATO	EQUERRE THERMOSTAT	THERMOSTAT BRACKET	WINKEL THERMOSTAT	ANGULAR TERMÓSTATO
46	907100		1	TERMOSTATO	THERMOSTAT	THERMOSTAT	THERMOSTAT	TERMÓSTATO
47	903982		1	MANOPOLA	BOUTON	KNOB	KNOFF	EMPUÑADURA
48	907272		1	TUBO PRESSOSTATO	TUYAU PRESSOSTAT	PRESSURE SWITCH PIPE	SCHLAUCH	TUBO PRESÓSTATO
49	905270		1	PRESSOSTATO	PRESSOSTAT	PRESSURE SWITCH	DRUCHWAECHTER	PROSÓSTATO
50	906399		1	SQUADRETTA PRESSOSTATO	EQUERRE PRESSOSTAT	PRESSURE SWITCH BRACKET	WINKEL DRUCHWAECHTER	ANGULAR PROSÓSTATO
51	TR 1071		1	SQUADRETTA REED	EQUERRE REED	REED BRACKET	WINKEL REED	ANGULAR REED
52	TR 0309		1	REED MAGNETICO	REED	REED	REED	REED MAGNÉTICO



LAVASTOVIGLIE A TRAINO

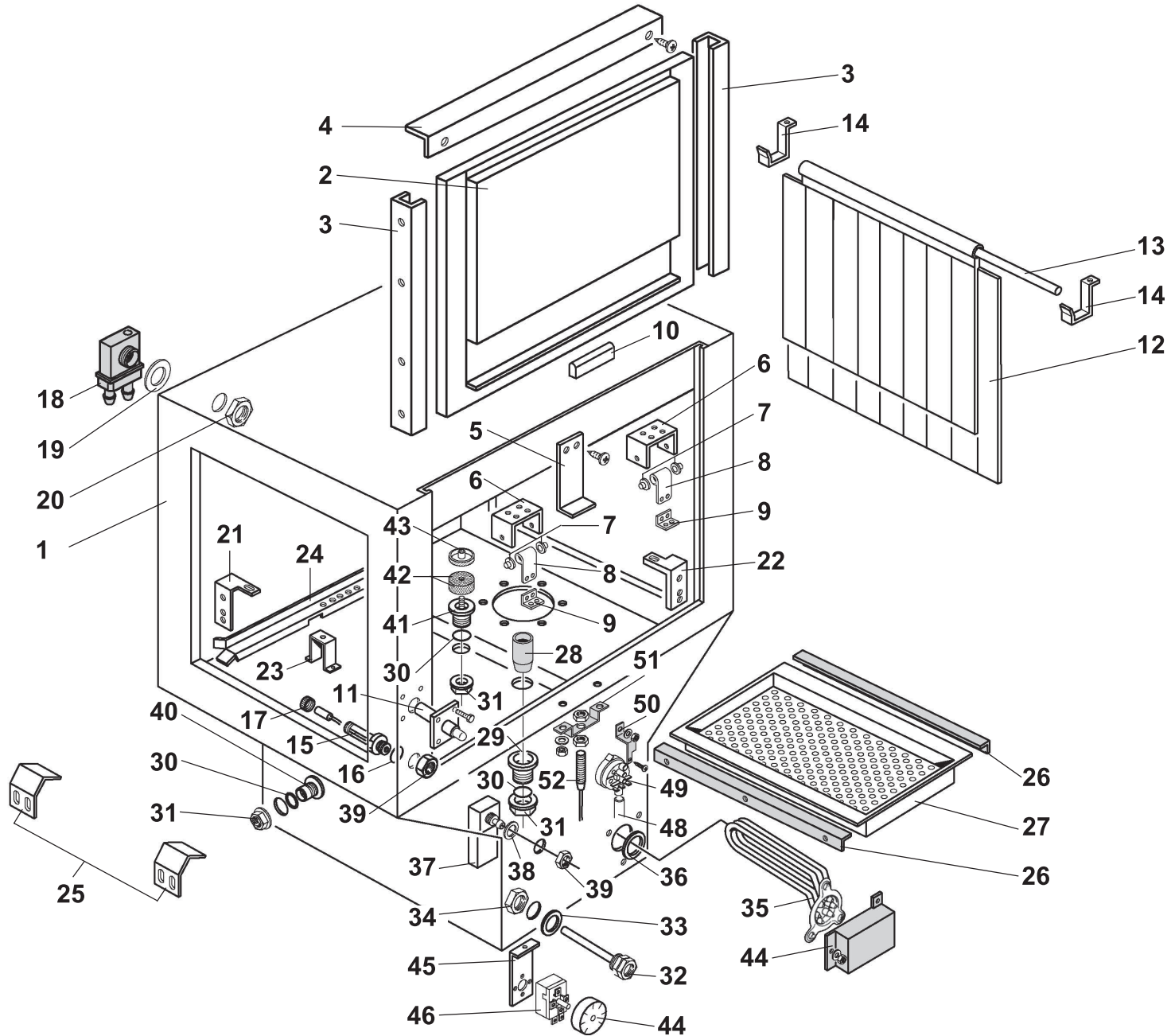
TS2400SX - TS3700SX - TSA3700SX

TS4600SX - TSA4600SX

DOPPIO RISCIAQUO ED.2000

TAV. 16

Pos	COD.	COD.	Q.TÀ	DESCRIZIONE	DENOMINATION	DESCRIPTION	BEZEICHNUNG	DESCRIPCIÓN
1	TR 0625		1	CAPOTE DOPPIO RISC. SX	CAPOTE	HOOD	GEHÄUSE	CAPOT DOBLE ENJUAGUE IZQUIER.
2	TR 2098		1	PORTA	PORTE	DOOR	TÜR	PUERTA
3	TR 1079		2	GUIDA SCORRIM. PORTA	RAIL	GUIDE	FÜHRUNG	GUIA DESLIZAMIENTO PUERTA
4	TR 2002		1	PARASPRUZZI	GARDE-JETS	SPRAY-GUARD	SPRITZBLECH	SALPICADERO
5	TR 2185		1	FERMO PORTA	ARRET DE PORTE	SPRING LOCK	FEST TÜR	TOPE PUERTA
6	TR 1008		2	SQUADR. FISSAGGIO MOLLA	EQUERRE POUR RESSORT	SPRING SUPPORT	FEDER TRÄGER	ANGULAR FIJADO RESORTE
7	TR 0999		4	SUPP. SCORRIMENTO PORTA	SUPPORT POUR RESSORT	SPRING SUPPORT	FEDER TRÄGER	SOP. DESLIZAMIENTO PUERTA
8	TR 1854		2	MOLLA PORTA	RESSORT	SPRING	FEDER	RESORTE PUERTA
9	TR 0607		2	AGGANCIO MOLLA	CROCHET RESSORT	SPRING HOOKING	KUPPLUNG FEDER	AGGANCIO MOLLA
10	TR 0220		1	CUSTODIA CON MAGNETE	PROTECTION MAGNETO	COVER MAGNET	MAGNETSCHUTZ	ESTUCHE CON IMÁN
11	TR 0620		1	BLOCCO SICUREZZA PORTA	BLOC DE SÉCURITÉ PORTE	SAFETY DOOR CATCH	BLOCK TÜR	BLOQUEO DE SEGUR. PUERTA
12	TR 0460		1	TENDINA	RIDEAU	CURTAIN	SPRITZSCHUTZ	CORTINILLA
13	TR 2034		1	ALBERO PER TENDINA	ARBRE RIDEAU	CURTAIN ROD	HALTERUNG	EJE PARA CORTINILLA
14	TR 2162		2	SQUADRETTA TENDINA	EQUERRE RIDEAU	BRACKET CURTAIN	WINKEL SPRITZSCHUTZ	ANGULAR CORTINILLA
15	TR 2206		1	MICRO PORTA PER ECONOM.	MICRO PORTE ECONOMISEUR	DOOR SWITCH ECONOMISER	MICRO SPARSCHALTER	MICRO PUERTA PARA ECON.
16	904330		1	O-RING	O-RING	O-RING	O-RING	O-RING
17	902100		1	DADO 3/8" GAS	ECROU	NUT	MUTTER	TUERCA
18	907460		1	VALVOLA ANTIRITORNO	VALVE	VALVE	VENTIL	VALVULA ANTIREGRESO
19	903290		1	GUARNIZIONE	JOINT	GASKET	DICHTUNG	GUARNICIÓN
20	TR 0138		1	GHIERA PG 21	VIROLE	LOCK NUT	NUT MUTTER	ABRAZADERA
21	TR 0645		2	SUPP. GUIDA CESTELLISX	SUPPORT COULISSE	SUPPORT GUIDE	FÜHRUNG HALTERUNG	SOP. GUIDA CANASTRO IZQUIERDA
22	TR 0644		2	SUPP. GUIDA CESTELLIDX	SUPPORT COULISSE	SUPPORT GUIDE	FÜHRUNG HALTERUNG	SOP. GUIDA CANASTO DERECHO
23	TR 2205		2	SUPPORTO GUIDA CESTELLI	SUPPORT COULISSE	SUPPORT GUIDE	FÜHRUNG HALTERUNG	SOPORTE GUIDA CANASTO
24	TR 0644		1	GUIDA CESTELLIDX	COULISSE PANIER DROITE	RIGHT BASKET GUIDE	RECHTE KORBUFÜHRUNG	GUIDA CANASTO DERECHO
24	TR 0645		1	GUIDA CESTELLISX	COULISSE PANIER GAUCHE	LEFT BASKET GUIDE	LINKE KORBUFÜHRUNG	GUIDA CANASTO DERECHO
25	TR 2163		2	SQUADR. USCITA CESTELLI	EQUERRE SORTIE PANIER	BRACKET UNLOADING TRACK	AUSLAUF WINKEL KORBUF.	ANGULAR SALIDA CANASTO



LAVASTOVIGLIE A TRAINO

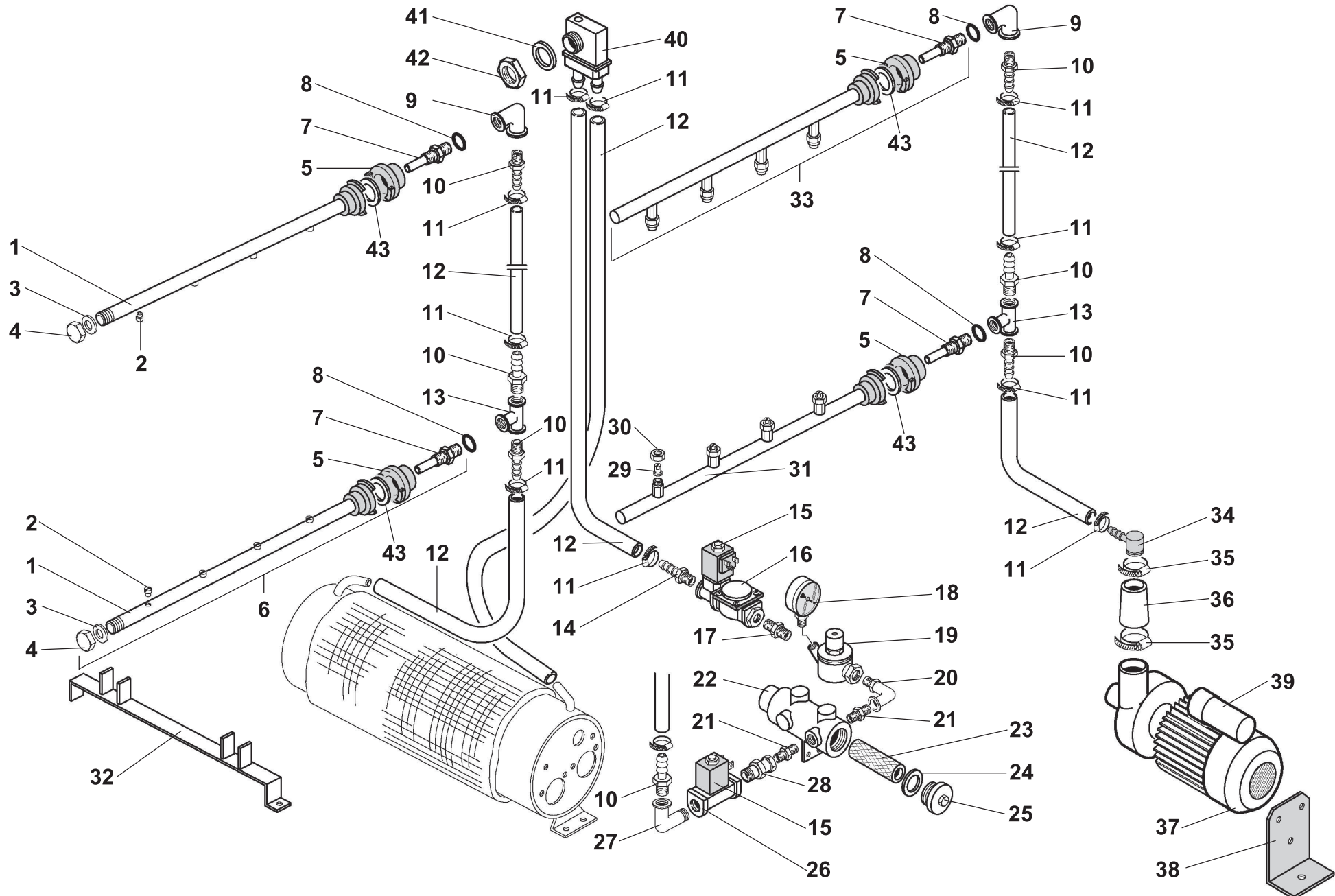
TS2400SX - TS3700SX - TSA3700SX

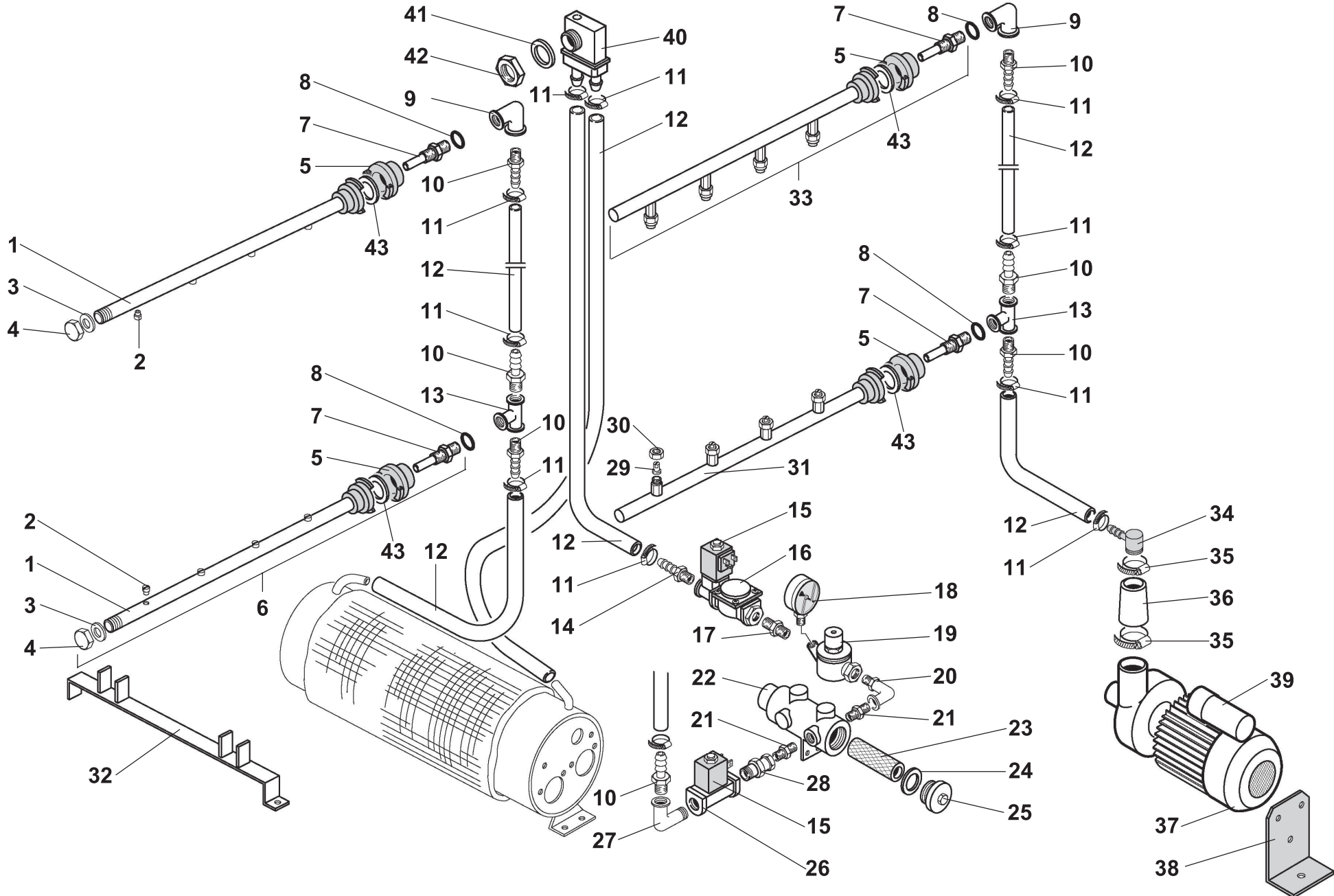
TS4600SX - TSA4600SX

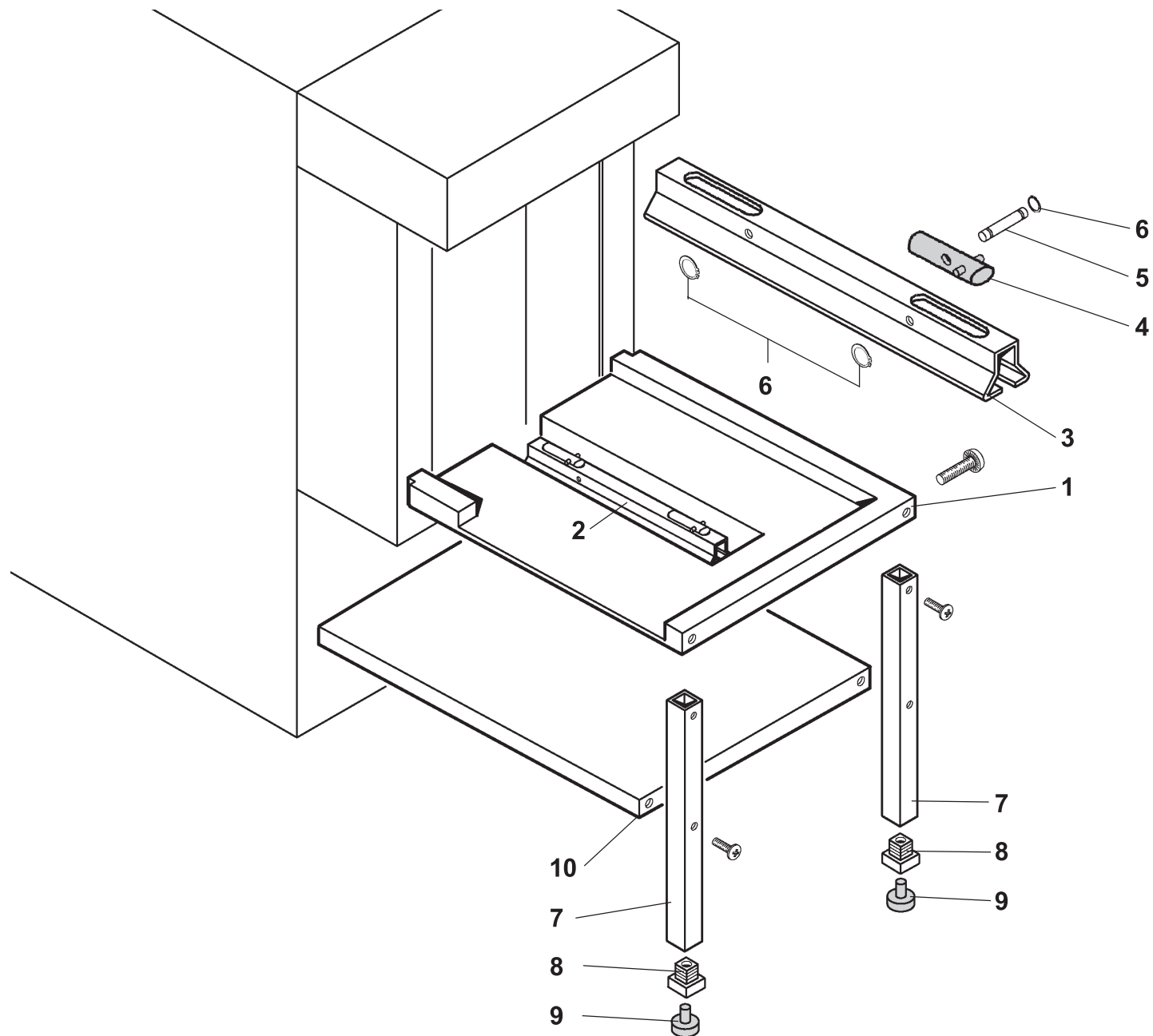
DOPPIO RISCIAQUO ED.2000

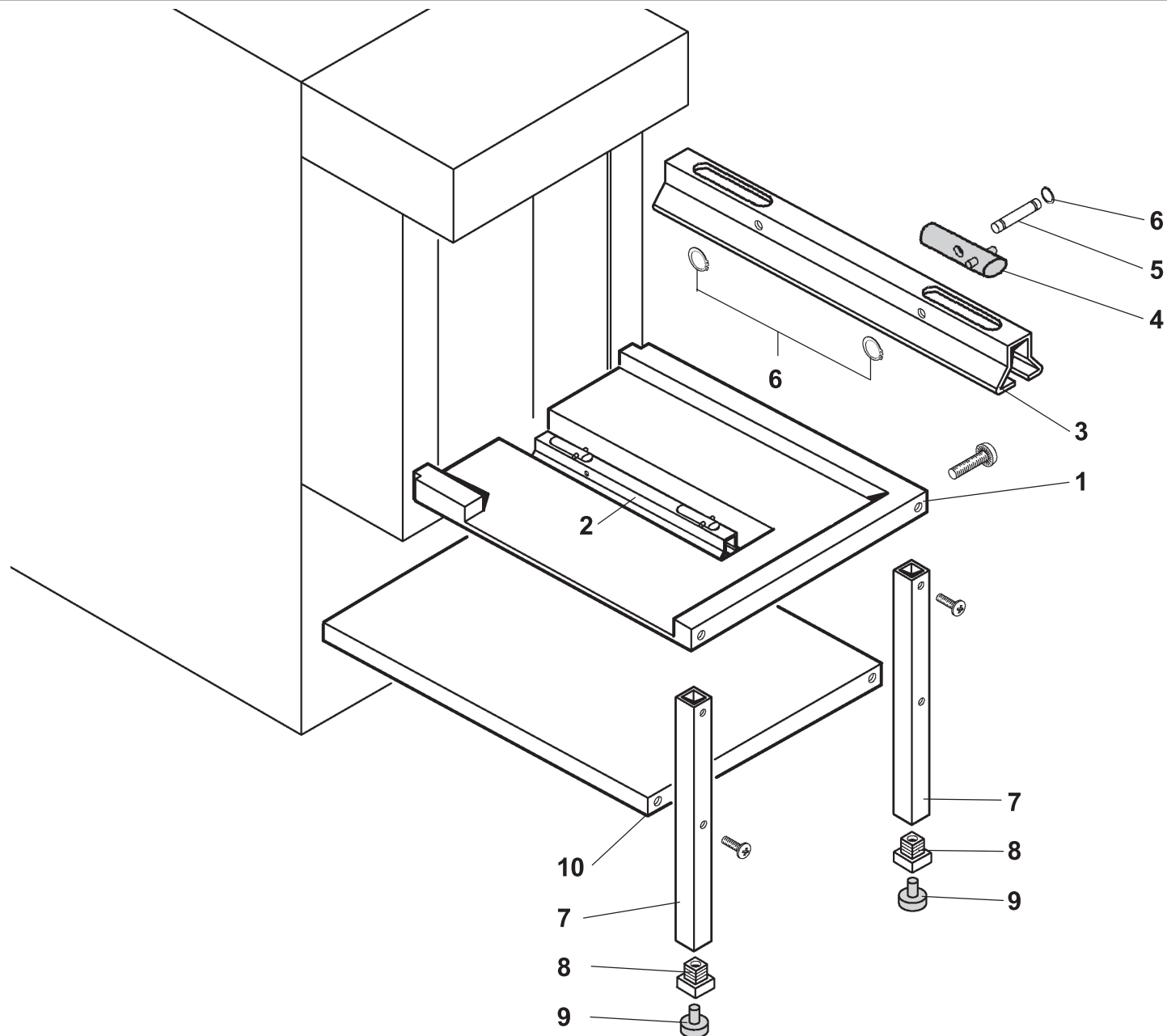
TAV. 16

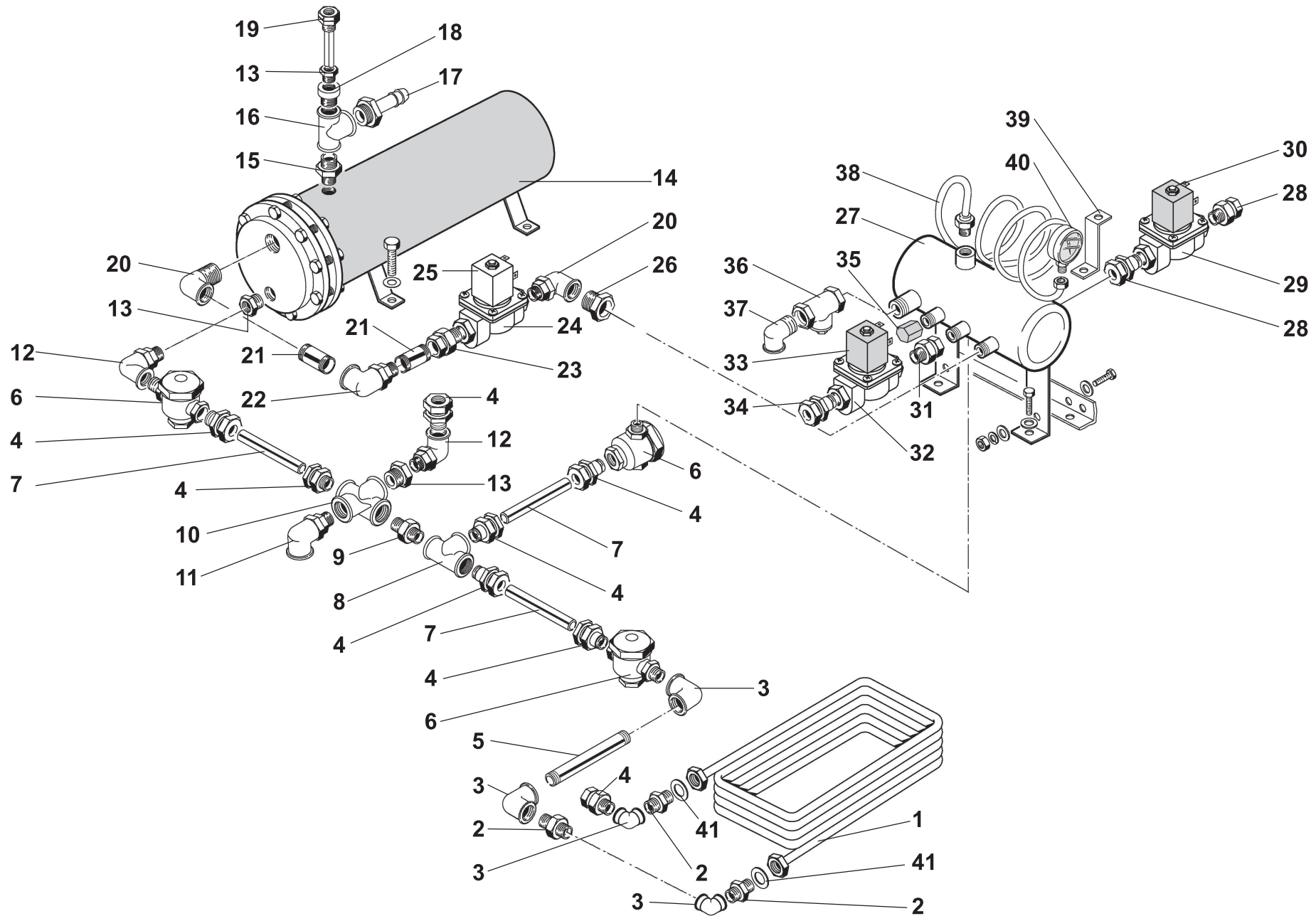
Pos	COD.	COD.	Q.TÀ	DESCRIZIONE	DENOMINATION	DESCRIPTION	BEZEICHNUNG	DESCRIPCIÓN
26	TR 2202		1	GUIDA FILTRO DX	COULISSE FILTRE DROITE	RIGHT FILTER GUIDE	RECHTE FILTER FÜHRUNG	GUIA DERECHA FILTRO
26	TR 2203		1	GUIDA FILTRO SX	COULISSE FILTRE GAUCHE	LEFT FILTER GUIDE	LINKE FILTER FÜHRUNG	GUIA IZQUIERDA FILTRO
27	TR 2017		1	FILTRO SUPERFICIE	FILTRE	FILTER	FILTER	FILTRO EN SUPERFICIE
28	TR 2204		1	TROPPOPIENO	NIVEAU	OVER FLOW	UBERLAUFROHR	DEMASIADO LLENO
29	TR 1234		1	RACCORDO 1" ¼	RACCORD	PIPE FITTING	ABLAUFANSCHLUSS	EMPALME
30	904380		3	O-RING	O-RING	O-RING	O-RING	O-RING
31	902080		3	GHIERA 1" ¼	VIROLE	LOCK NUT	NUT MUTTER	ABRAZADERA
32	905191		1	PORTABULBO	SIÈGE DE BULBE	SEATING BULB	KUGELSITZ	PORTABULBO
33	903250		1	GUARNIZIONE	JOINT	GASKET	DICHTUNG	GUARNICIÓN
34	902110		1	GHIERA ½"	VIROLE	LOCK NUT	NUT MUTTER	ABRAZADERA
35	905560		1	RESISTENZA 4500 W	RESISTANCE	HEATING ELEMENT	HEIZKÖRPER	RESISTENCIA
36	907981		1	O-RING	O-RING	O-RING	O-RING	O-RING
37	907252		1	TRAPPOLA ARIA	RESERVOIR AIR	AIR TRAP	LUFTFALLE	TRAMPA DEL AIRE
38	903260		1	GUARNIZIONE	JOINT	GASKET	DICHTUNG	GUARNICIÓN
39	902100		2	GHIERA 3/8"	VIROLE	LOCK NUT	NUT MUTTER	ABRAZADERA
40	905450		1	RACCORDO 1" ¼	RACCORD	PIPE FITTING	ABLAUFANSCHLUSS	EMPALME
41	905380		1	RACCORDO ASPIRAZIONE	RACCORD	PIPE FITTING	ABLAUFANSCHLUSS	EMPALME DE ASPIRACIÓN
42	902580		1	FILTRO VASCA	FILTRE	FILTER	FILTER	FILTRO TINA
43	902850		1	GHIERA FILTRO	VIROLE	LOCK NUT	NUT MUTTER	ABRAZADERA DEL FILTRO
44	TR 1099		1	COPRIRESISTENZA	PROTECTION RESISTANCE	HEATING COVER	HEIZKÖRPER SCHUTZ	CUBRERESISTENCIA
45	TR 2144		1	SQUADRETTA TERMOSTATO	EQUERRE THERMOSTAT	THERMOSTAT BRACKET	WINKEL THERMOSTAT	ANGULAR TERMÓSTATO
46	907100		1	TERMOSTATO	THERMOSTAT	THERMOSTAT	THERMOSTAT	TERMÓSTATO
47	903982		1	MANOPOLA	BOUTON	KNOB	KNOFF	EMPUÑADURA
48	907272		1	TUBO PRESSOSTATO	TUYAU PRESSOSTAT	PRESSURE SWITCH PIPE	SCHLAUCH	TUBO PRESÓSTATO
49	905270		1	PRESSOSTATO	PRESSOSTAT	PRESSURE SWITCH	DRUCHWAECHTER	PROSÓSTATO
50	906399		1	SQUADRETTA PRESSOSTATO	EQUERRE PRESSOSTAT	PRESSURE SWITCH BRACKET	WINKEL DRUCHWAECHTER	ANGULAR PROSÓSTATO
51	TR 1071		1	SQUADRETTA REED	EQUERRE REED	REED BRACKET	WINKEL REED	ANGULAR REED
52	TR 0309		1	REED MAGNETICO	REED	REED	REED	REED MAGNÉTICO











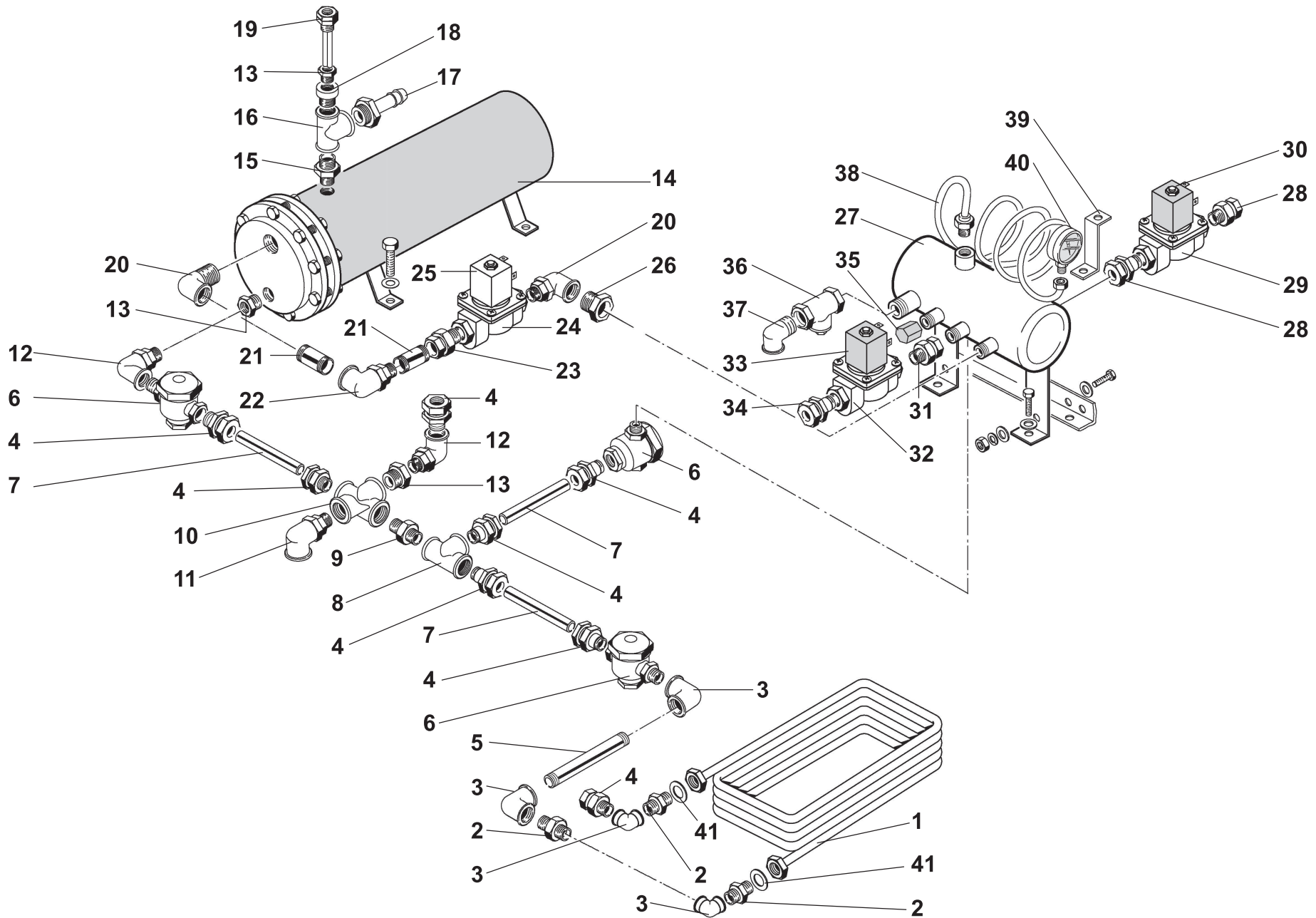
LAVASTOVIGLIE A TRAINO

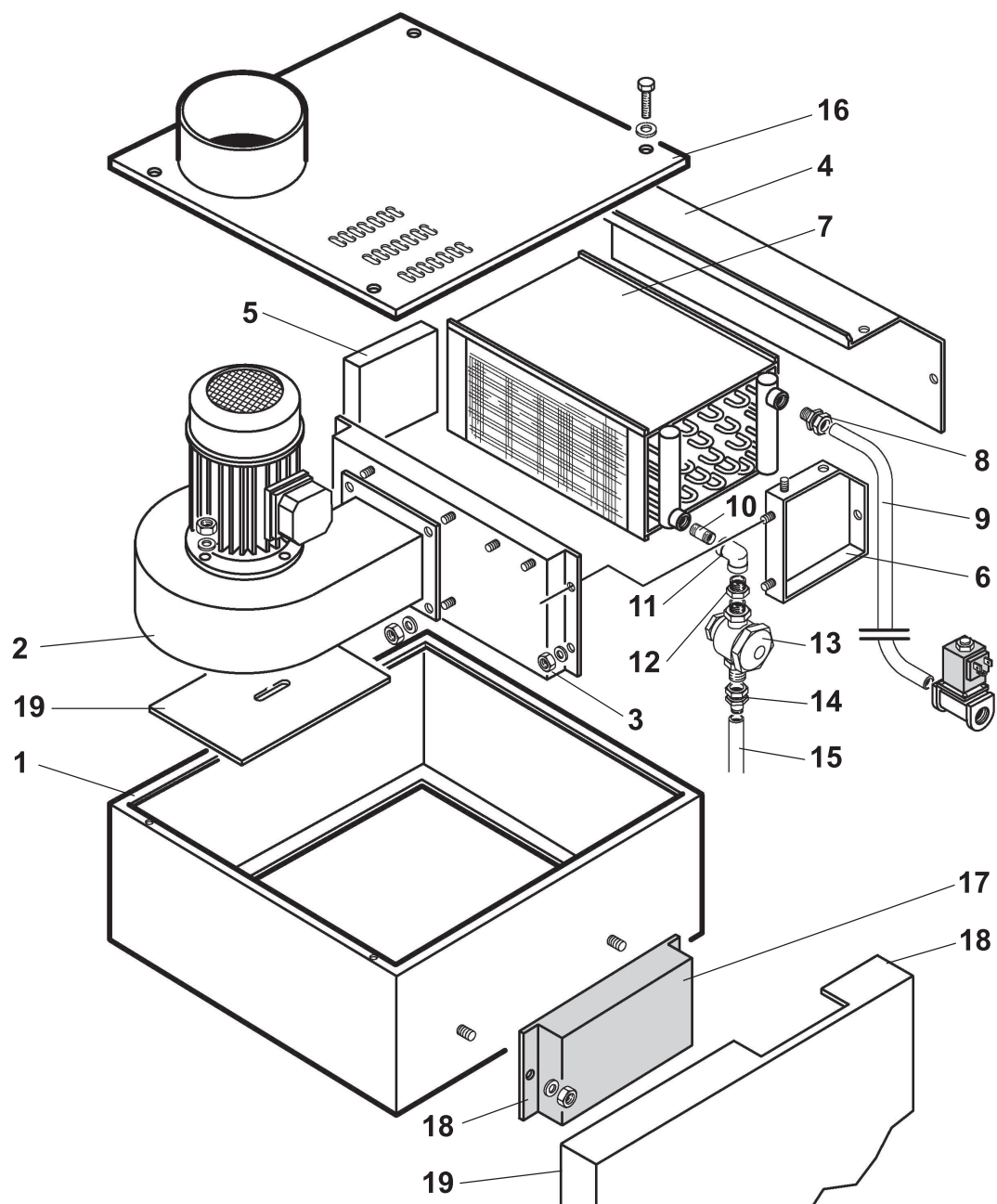
IMPIANTO VAPORE

ED.2000

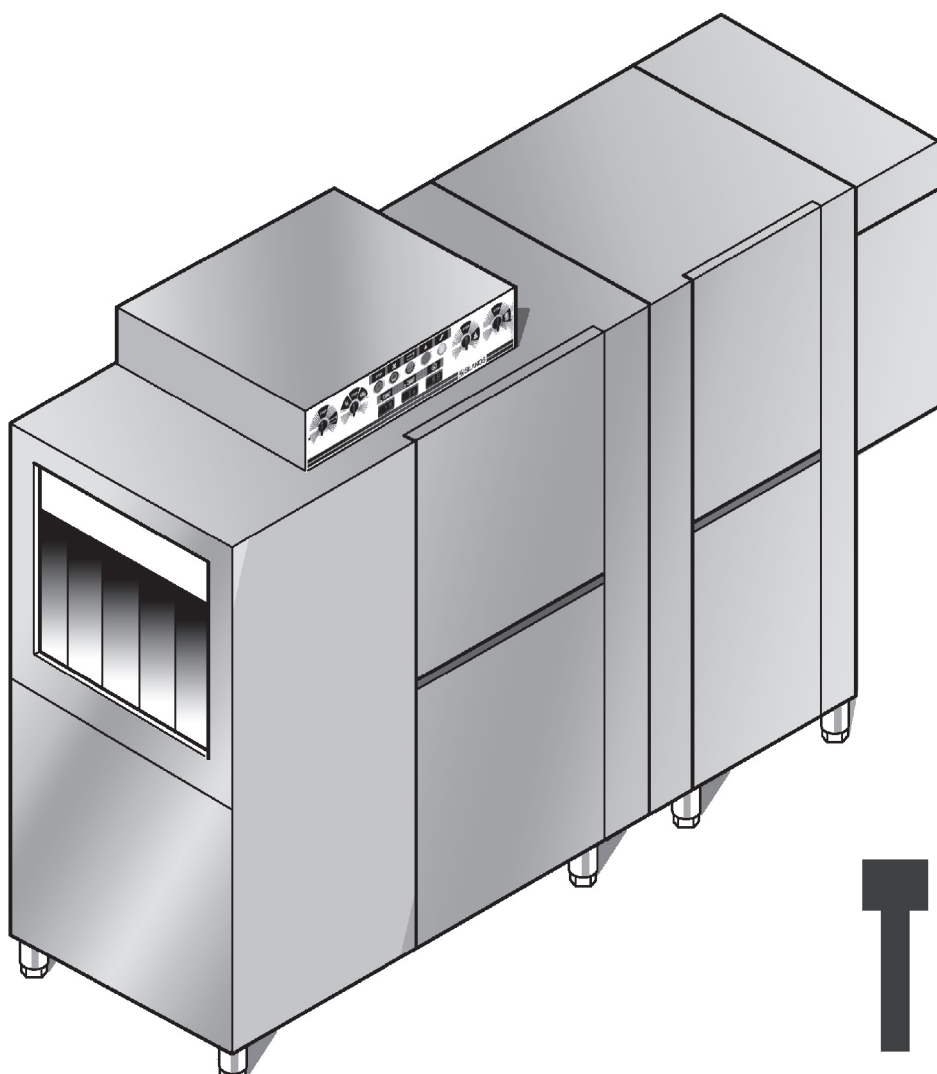
TAV. 20

Pos	COD.	COD.	Q.TÀ	DESCRIZIONE	DENOMINATION	DESCRIPTION	BEZEICHNUNG	DESCRIPCIÓN
1	TR 0466		1	SERPENTINA 9.000 CAL.	SERPENTIN VAPEUR	STEAM COIL	DAMPFSCHANG	SERPENTINA
2	TR 2319		3	NIPPLO 1/2"	NIPPLES	NIPPLE	NIPPLE	NIPLE
3	TR 2437		4	RACCORDO GOMITO 1/2"	RACCORD	PIPE FITTING	ANSCHLUSSE	EMPALME A CODO
4	TR 2223		7	RACCORDO 1/2"	RACCORD	PIPE FITTING	ANSCHLUSSE	EMPALME
5	952209		1	TUBO ZINCATO 1/2" - 1/2"	TUYAU	PIPE	ROHR	TUBO CINC
6	TR 0316		3	SCARICATORE CONDENSA	DESCHARGEUR CONDENSE	STEAM TRAP	KONDENSWASSERABSCHIEDER	DESCARGA CONDENSACIÓN
7	952205		3	TUBO RAME Ø 18	TUBE EN CUIVRE	COPPER PIPE	KUPFER ROHR	TUBO DE COBRE
8	TR 2402		1	RACCORDO TRE VIE 1/2"	RACCORD	PIPE FITTING	ANSCHLUSSE	EMPALME 3 DIRECCIONES
9	TR 2347		1	NIPPLO RIDOTTO 3/4" - 1/2"	NIPPLES	NIPPLE	NIPPLE	NIPLE REDUCCIÓN
10	TR 2406		1	RACCORDO 4 VIE 3/4"	RACCORD	PIPE FITTING	ANSCHLUSSE	EMPALME 4 DIRECCIONES
11	TR 2439		1	RACCORDO GOMITO 3/4"	RACCORD	PIPE FITTING	ANSCHLUSSE	RAMPA DE DESAGÜE CURVO
12	TR 2420		2	RACCORDO GOMITO 1/2"	RACCORD	PIPE FITTING	ANSCHLUSSE	RAMPA DE DESAGÜE CURVO
13	TR 2366		3	RIDUZIONE 3/4" - 1/2"	REDUCTION	REDUCTION	VERMINDERUNG	TUBO CINC
14	TR 1080		1	BOILER 30.000 CAL.	SURCHAUFFEUR	BOILER	HEISSWASSERSPEICHER	BOILER
15	TR 2316		1	NIPPLO 3/4"	NIPPLES	NIPPLE	NIPPLE	NIPLE
16	TR 2400		1	RACCORDO 3 VIE 3/4"	RACCORD	PIPE FITTING	ANSCHLUSSE	EMPALME 3 DIRECCIONES
17	907890		1	RACCORDO PORTAGOMMA 3/4"	RACCORD	PIPE FITTING	ANSCHLUSSE	EMPALME GOME PARA PUERTA
18	TR 2445		1	PROLUNGA 3/4"	PROLUNGEMENT	EXSTENSION CORD	LEITUNGSTRECKER	PROLONGACIÓN
19	TR 0298		1	PORTABULBO	SIEGE DE BULBE	SEATING BULB	KUGELSITZ	PORTABULBO
20	TR 2330		2	BOCCHETTONE CURVO 1"	GOULOTTE	PIPE UNION	STUTZEN	RAMPA DE DESAGÜE CURVO
21	952211		2	TUBO ZINCATO 1" - 1"	TUYAU	PIPE	ROHR	TUBO CINC
22	TR 2438		1	RACCORDO GOMITO 1"	RACCORD	PIPE FITTING	ANSCHLUSSE	RAMPA DE DESAGÜE CURVO
23	TR 2336		1	BOCCHETTONE DIRITTO 1"	GOULOTTE	PIPE UNION	STUTZEN	RAMPA DE DESAGÜE RECTO
24	TR 0094		1	ELETTRIVALVOLA 1"	ELECTROVANNE	ELECTRIC VALVE	ELEKTROVENTIL	VALVULA ELECTRICA
25	TR 0104		1	BOBINA 24V	BOBINE	COIL	SPULE	BOBINA
26	TR 2367		1	RIDUZIONE 1" - 3/4"	REDUCTION	REDUCTION	VERMINDERUNG	REDUCCIÓN



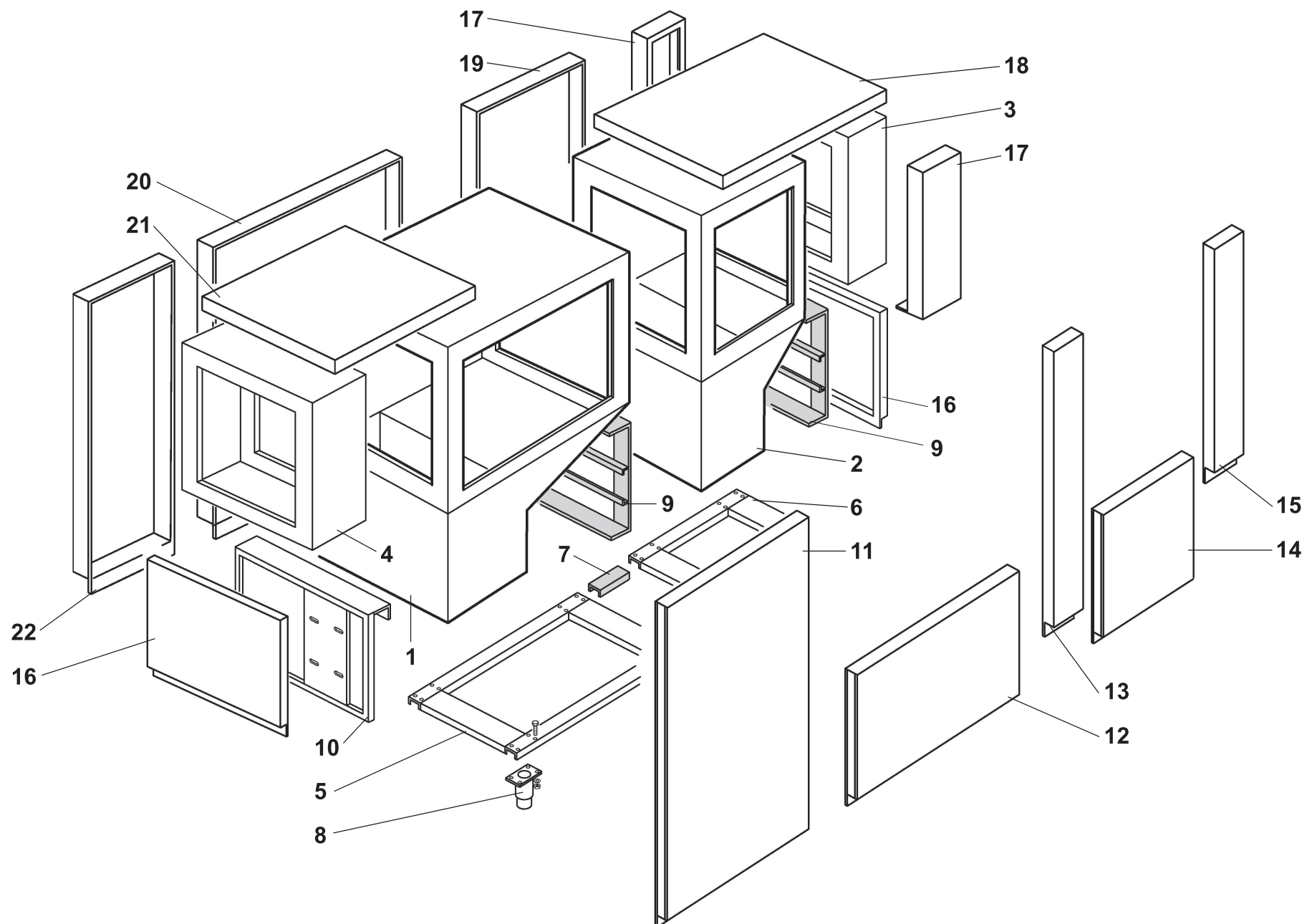


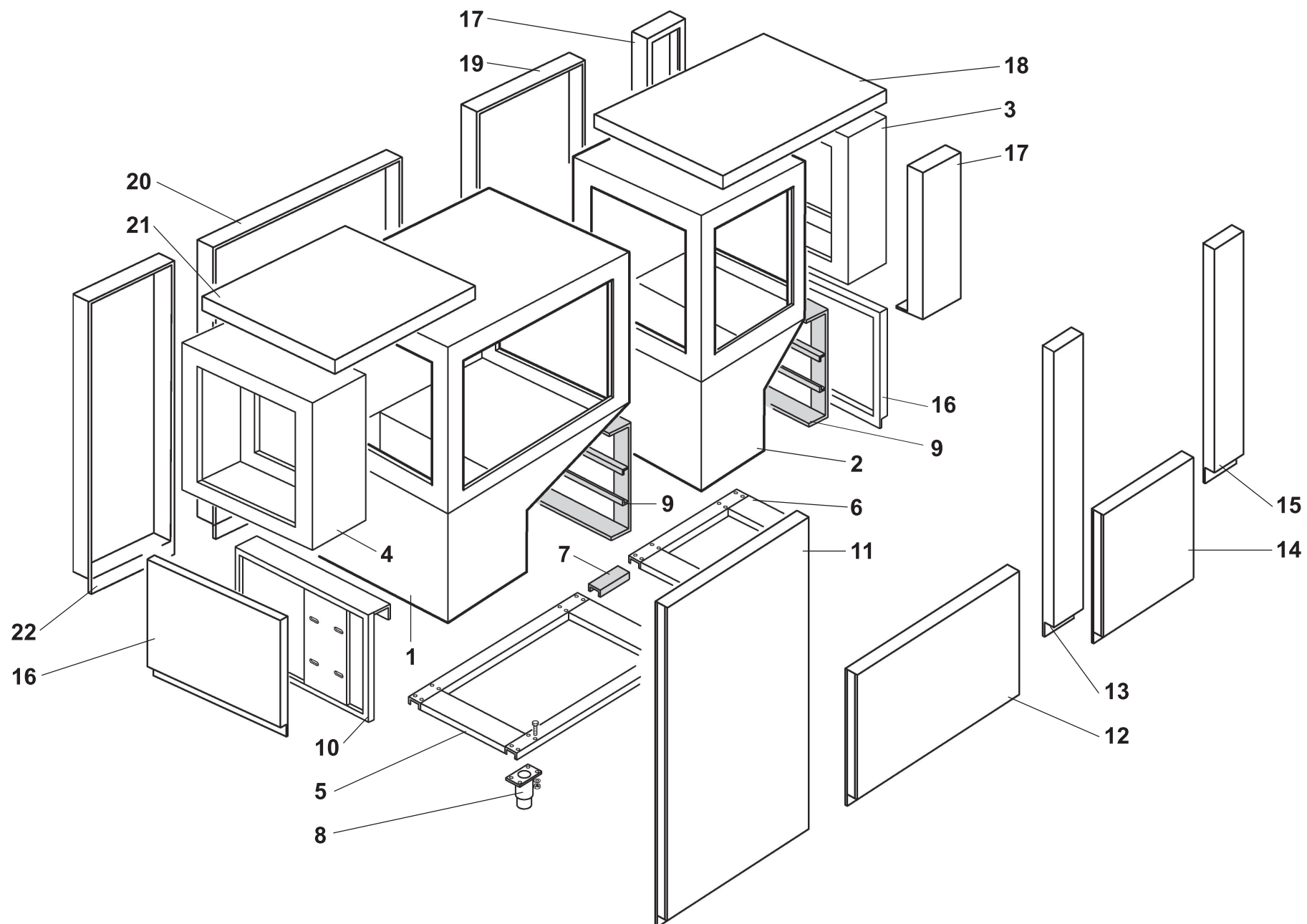
**LAVASTOVIGLIE A TRAINO
RACK-CONVEYOR DISHWASHER
LAVE-VAISSELLE A AVANCEMENT
AUTOMATIQUE DES CASIERS
ZUGSPÜLMASCHINEN
LAVA-VAJILLAS DE ARRASTRE**



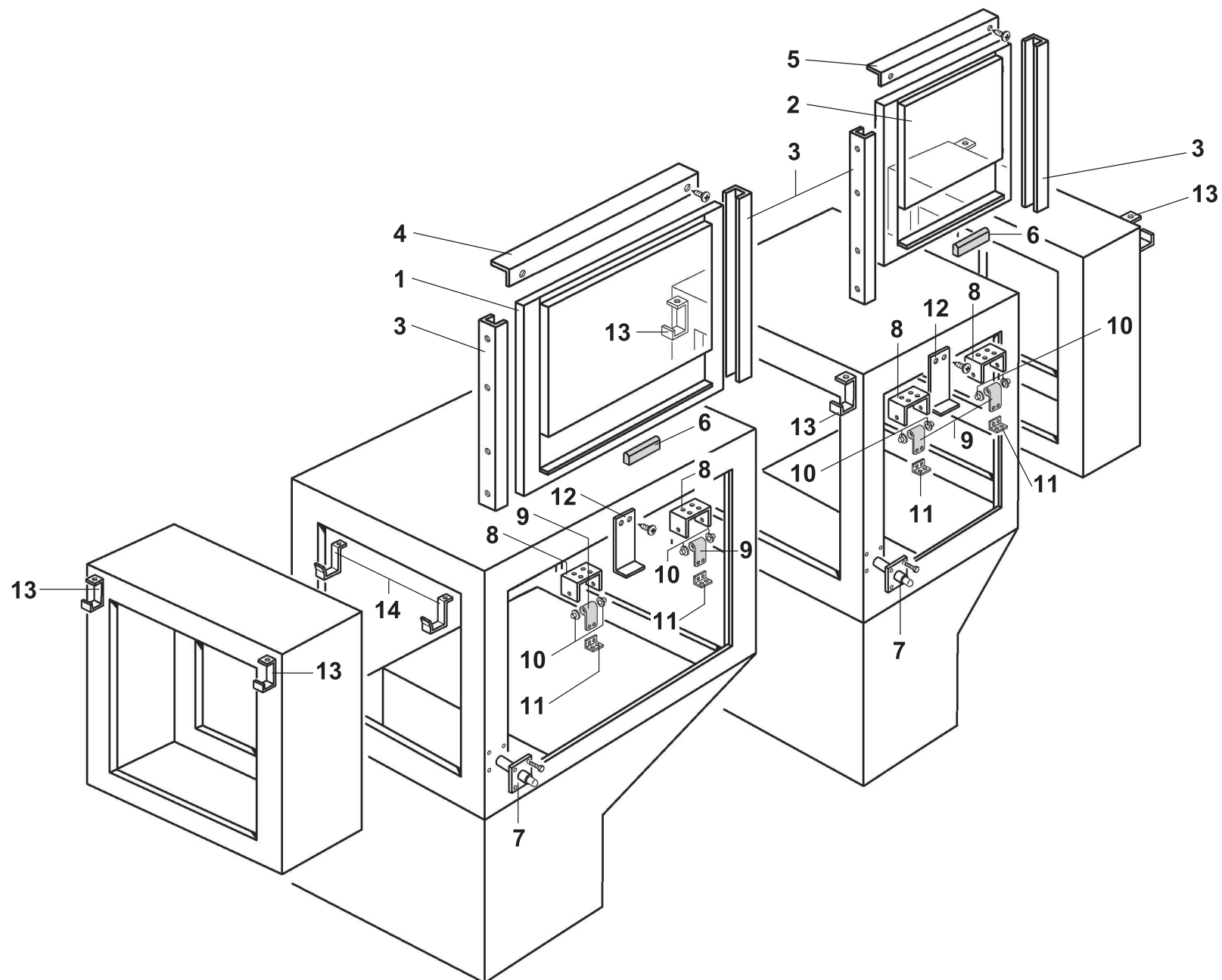
T3000

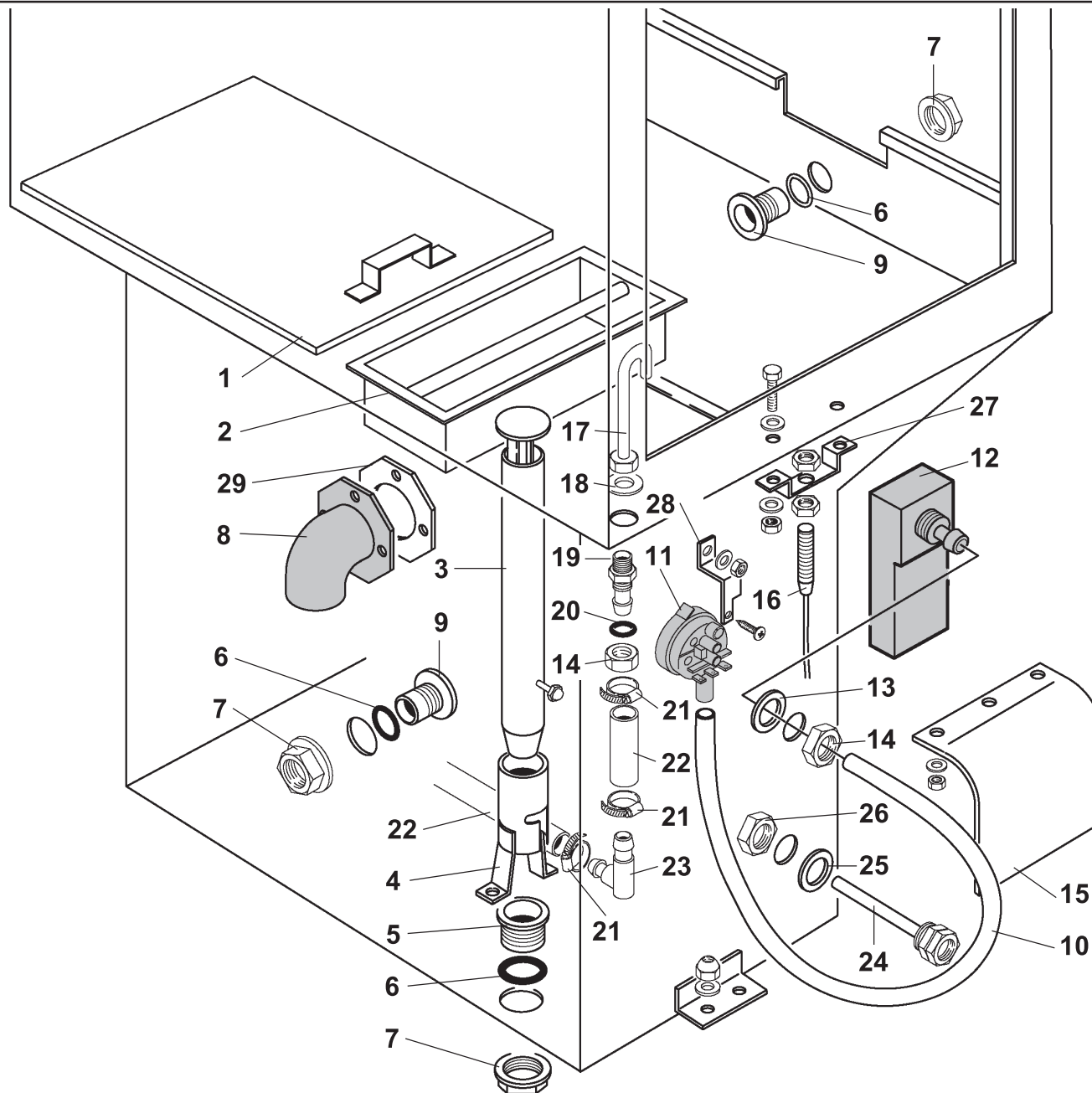
***MANUALE PARTI DI RICAMBIO
SPARE PARTS MANUAL
CATALOGUES PIÉCES DETACHEES
ERSATZTEILEKATALOG
MANUAL PARTES DE REPUESTO***





Pos	COD.	COD.	Q.TÀ	DESCRIZIONE	DENOMINATION	DESCRIPTION	BEZEICHNUNG	DESCRIPCIÓN
1	TR 0638		1	CAPOTE LAVAGGIO SX	CAPOTE DE LAVAGE	HOOD	GEHÄUSE	CAPOT LAVADO IZQUIERDO
2	TR 0639		1	CAPOTE PRELAVAGGIO SX	CAPOTE DE PRELAVAGE	HOOD	GEHÄUSE	CAPOT PRELAVADO DERECHO
3	TR 2135		1	CAPOTE PARASPRUZZI	CAPOTE GARDE-JETS	HOOD	GEHÄUSE	CAPOT SALPICADERO
4	TR 0621		1	CAPOTE RISCIAQUO SX	CAPOT DE RINÇAGE	HOOD	GEHÄUSE	CAPOT ENJUAGUE IZQUIERDO
5	TR 0593		1	TELAIO LAVAGGIO	CHASSIS	FRAME	RAHMEN	BASTIDOR LAVADO
6	TR 0597		1	TELAIO PRELAVAGGIO	CHASSIS	FRAME	RAHMEN	BASTIDOR PRELAVADO
7	TR 0646		2	GIUNZIONE TELAIO	LIAISON POUR CHASSIS	CONNECTION FRAME	VERBINDUNG RAHMEN	EMPALME ESTRUCTURA
8	TR 0299		8	PIEDE	PIED	FOOT	FUSS	PIÉ
9	TR 0595		2	SUPPORTO VASCA LAV./PREL.	CHASSIS	TANK SUPPORT FRAME	TANK RAHMEN	SOPORTE PILETA LAV./PREL.
10	TR 0506		1	SUPPORTO MOTORIDUTTORE	SUPPORT MOTOREDUCTEUR	SPEED REDUCER SUPPORT	GETRIEBEMOTORTRÄGER	SOPORTE MOTORREDUCTOR
11	TR 2087		1	PANNELLO INTERMEDIO T3000	PANNEAU INTERMEDIAIRE	INTERMEDIATE PANEL	ZWISCHENLIEGEND VERKL.	PANEL INTERMEDIO
12	TR 2088		1	PANNELLO FRONT. VASCA LAV.	PANNEAU FRONT. CUVE LAV.	FRONT PANEL WASHING TANK	FRONT VERKLEIDUNG	PANEL FRONTAL PILETA LAVADO
13	TR 2089		1	PANNELLO FRONTALE L= 210	PANNEAU FRONTAL	FRONT PANEL	FRONT VERKLEIDUNG	PANEL FRONTAL
14	TR 2093		1	PANNELLO FRONT. VASCA PREL.	PANNEAU FRONT. CUVE PREL.	FRONT PANEL PREWAS. TANK	FRONT VERKLEIDUNG	PANEL FRONTAL PILETA PREL.
15	TR 2094		1	PANNELLO FRONTALE L= 105	PANNEAU FRONTAL	FRONT PANEL	FRONT VERKLEIDUNG	PANEL FRONTAL
16	TR 2106		2	PANNELLO LATERALE	PANNEAU LATERAL	SIDE PANEL	SEITLICH VERKLEIDUNG	PANEL LATERAL
17	TR 2107		2	PANN. LAT. CAPOTE PARASPR.	PANNEAU LAT. CAPOTE G.-J.	SIDE PANEL SPRAY-GARD HOOD	SEITLICH VERKLEIDUNG	PANEL LAT. CAPOT SALPICAD.
18	TR 2108		1	PANN. SUP. CAPOTE PARASPR.	PANNEAU SUP. CAPOTE G.-J.	UPPER SIDE PANEL S.-G. HOOD	OBERE VERKLEIDUNG	PANEL SUP. CAPOT SALPICAD.
19	TR 2109		1	PANNELLO POSTER. PRELAV. SX	PANNEAU POST. PRELAV.	BACK PANEL PREWASHING	HINTERE VERKLEIDUNG	PANEL POSTERIOR PRELAVADO
20	TR 2110		1	PANNELLO POST. LAVAGGIO SX	PANNEAU POST. LAVAGE	BACK PANEL WASHING	HINTERE VERKLEIDUNG	PANEL POSTERIOR LAVADO
21	TR 2116		1	PANNELLO SUP. LAV./RISC.	PANNEAU SUPERIEUR	UPPER SIDE PANEL	OBERE VERKLEIDUNG	PANEL SUPERIOR LAV./ENJUAGE
22	TR 0655		1	PANNELLO POST. RISCIAQUO SX	PANNEAU POST. RINÇAGE	BACK PANEL RINSE	HINTERE VERKLEIDUNG	PANEL POST. ENJUAGE IZQUIERDO





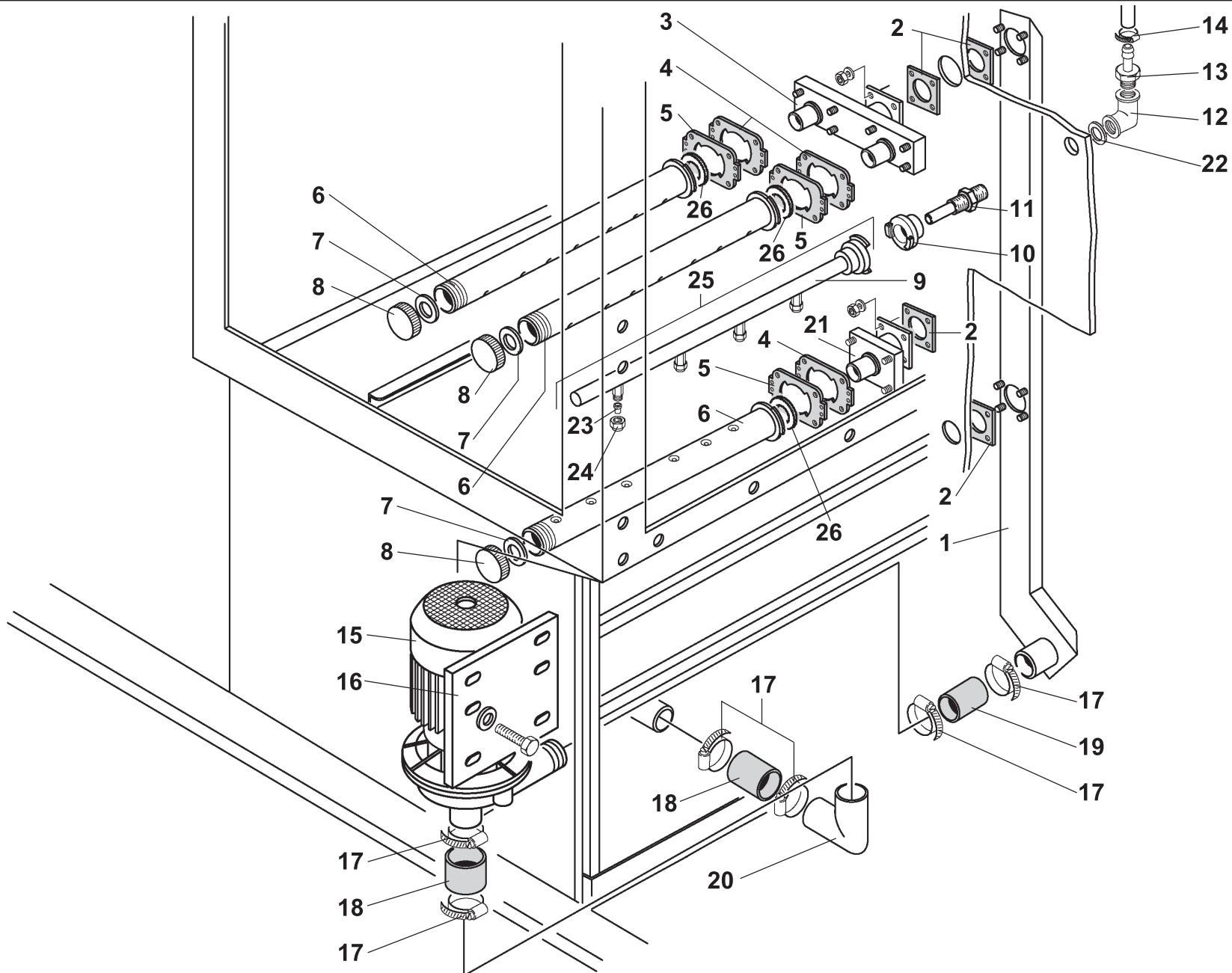
LAVASTOVIGLIE A TRAINO T3000

PRELAVAGGIO

ED.2000

TAV. 4

Pos	COD.	COD.	Q.TÀ	DESCRIZIONE	DENOMINATION	DESCRIPTION	BEZEICHNUNG	DESCRIPCIÓN
1	TR 2203		1	FILTRO	FILTRE	FILTER	FILTER	FILTRO
2	TR 2205		1	FILTRO	FILTRE	FILTER	FILTER	FILTRO
3	TR 1039		1	TROPPOPIENO	NIVEAU	OVER FLOW	UBERLAU FROHR	DEMASIADO LLENO
4	TR 0464		1	GUIDA TROPPOPIENO	COULISSE NIVEAU	OVER FLOW GUIDE	UBERLAU FROHR KORB.	GUIA DESLIZAMIENTO
5	TR 1234		1	RACCORDO 1" ¼	RACCORD	PIPE FITTING	ABLAUFANSCHLUSS	EMPALME
6	904380		3	O-RING	O-RING	O-RING	O-RING	O-RING
7	902080		3	GHIERA 1" ¼	VIROLE	LOCK NUT	NUT MUTTER	ABRAZADERA
8	TR 0977		1	RACCORDO ASPIRAZIONE	RACCORD	PIPE FITTING	SAUGANSCHLUSS	EMPALME DE ASPIRACIÓN
9	905450		2	RACCORDO 1" ¼	RACCORD	PIPE FITTING	ANSCHLUSS	EMPALME
10	907272		1	TUBO PRESSOSTATO	TUYAU PRESSOSTAT	PRESSURE SWITCH PIPE	SCHLAUCH	TUBO PRESÓSTATO
11	905275		1	PRESSOSTATO	PRESSOSTAT	PRESSURE SWITCH	DRUCHWAECHTER	PRESÓSTATO
12	TR 0268		1	TRAPPOLA ARIA	RESERVOIR AIR	AIR TRAP	LUFFFALLE	TRAMPA DELAIRE
13	903260		1	GUARNIZIONE	JOINT	GASKET	DICHTUNG	GUARNICIÓN
14	902100		1	GHIERA 3/8"	VIROLE	LOCK NUT	NUT MUTTER	ABRAZADERA
15	TR 3196		1	PROTEZIONE GOMMA	PROTECTION EN CAOUTCH.	RUBBER COVER	SCHUTZ	PROTECCIÓN GOMA
16	TR 0309		1	REED MAGNETICO	REED	REED	REED	REED MAGNÉTICO
17	TR 1019		1	PIPA CARICO VASCA	TUYAU ALIM. CUVE	TANK LOADING PIPE	TANK FÜLLUNG	PIPA CARGA PILETA
18	903410		1	GUARNIZIONE	JOINT	GASKET	DICHTUNG	GUARNICIÓN
19	907920		1	RACCORDO PORTAGOMMA	RACCORD	PIPE FITTING	ANSCHLUSS	EMPALME GOME PARA PUERTA
20	904330		1	O-RING	O-RING	O-RING	O-RING	O-RING
21	902450		3	FASCETTA 15÷24	COLLIER	CLAMP	SCHELLE	ABRAZADERA
22	907350		2	TUBO GOMMA 12x22	TUYAU EN CAOUTCHOUC	RUBBER PIPE	GUMMISCHLAUCH	TUBO GOMA
23	905383		1	RACCORDO 2 VIE	RACCORD	PIPE FITTING	ANSCHLUSSE	EMPALME 2 DIRECCIONES
24	905191		1	PORTABULBO	SIÈGE DE BULBE	SEATING BULB	KUGELSITZ	PORTABULBO
25	903250		1	GUARNIZIONE	JOINT	GASKET	DICHTUNG	GUARNICIÓN
26	902110		1	GHIERA ½"	VIROLE	LOCK NUT	NUT MUTTER	ABRAZADERA
27	TR 1071		1	SQUADRETTA REED	EQUERRE REED	REED BRACKET	WINKEL REED	ANGULAR REED
28	906399		1	SQUADRETTA PRESSOSTATO	EQUERRE PRESSOSTAT	PRESSURE SWITCH BRACKET	WINKEL DRUCHWAECHTER	ANGULAR PROSÓSTATO
29	TR 0189		1	GUARNIZIONE	JOINT	GASKET	DICHTUNG	GUARNICIÓN



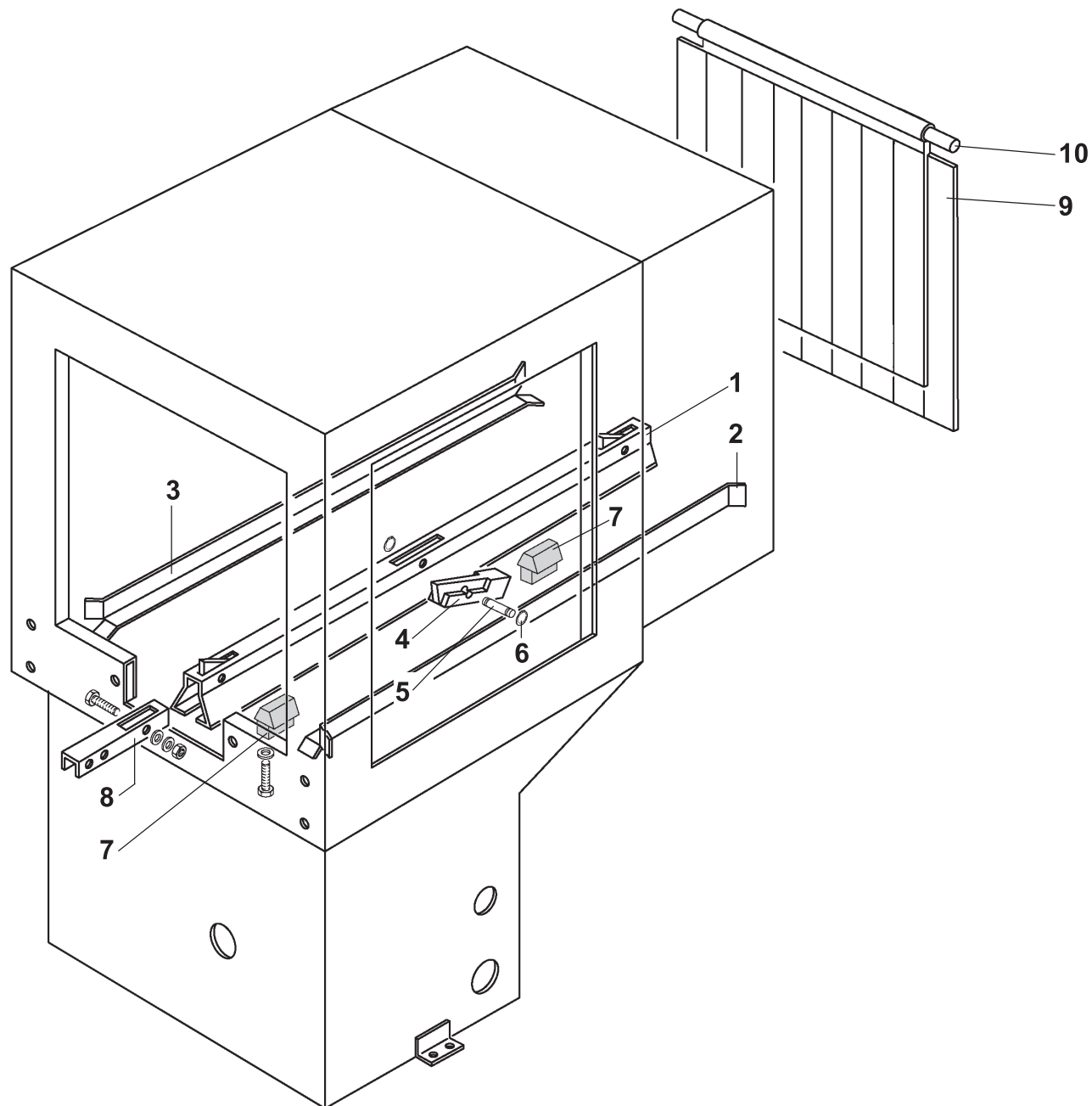
LAVASTOVIGLIE A TRAINO T3000

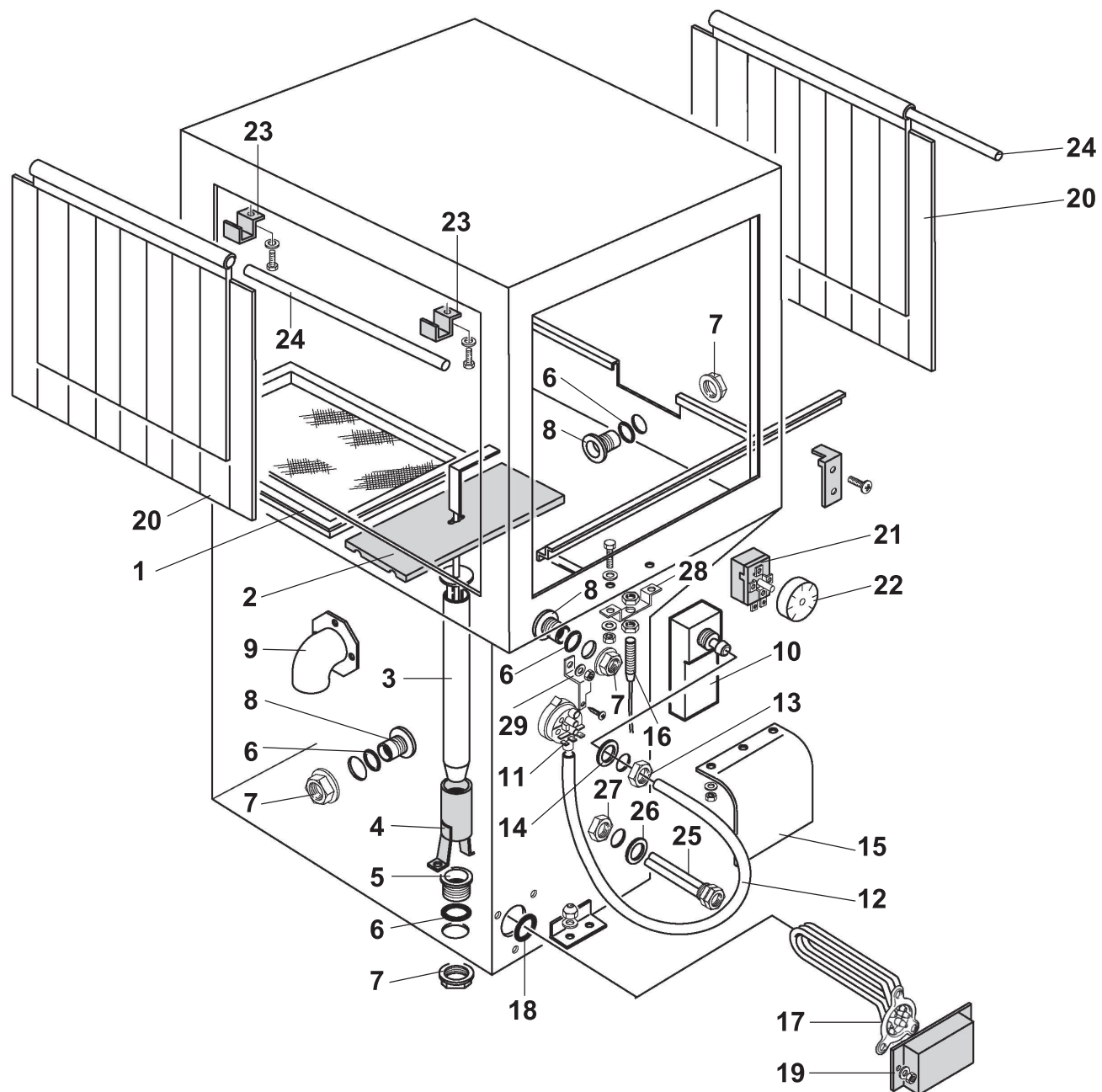
PRELAVAGGIO

ED.2000

TAV. 5

Pos	COD.	COD.	Q.TÀ	DESCRIZIONE	DENOMINATION	DESCRIPTION	BEZEICHNUNG	DESCRIPCIÓN
1	TR 1098		1	COLONNA PRELAVAGGIO	COLONNE DE PRELAVAGE	PREWASHING PIPE	VORSPÜLUNG SAÜLE	COLUMNA PRELAVADO
2	903381		4	GUARNIZIONE	JOINT	GASKET	DICHTUNG	GUARNICIÓN
3	TR 0711		1	TUBO PRELAVAGGIO SUP.	TUYAU DE PRELAVAGE SUP.	UPPER PREWASHING PIPE	OBERER VORSPÜLUNG SAÜLE	TUBO PRELAV. SUPERIOR
4	TR 2090		3	FLANGIA	FLASQUE	FLANGE	FLANSCH	SOPORTE
5	TR 2091		3	CONTROFLANGIA	CONTRE-BRIDE	FLANGE COUPLING	GEGENFLANSCH	CONTROBRIDA
6	TR 0576		3	BRACCIO PRELAV. SUP./INF.	BRAS DE PRELAV. SUP/INF	U/L PREWASHING PIPE	O/U VORSPÜLUNG SAÜLE	BRAZO PRELAVADO SUP./INF.
7	TR 2051		3	GUARNIZIONE	JOINT	GASKET	DICHTUNG	GUARNICIÓN
8	TR 2054		3	TAPPO	BOUCHON	PLUG	PROPFEN	TAPÓN
9	TR 0182		1	BRACCIO SCARICO CV	BRAS DE DEÇARGE COND.	OUTLET ARM	ABLADENARM	BRAZO DESAGOTE
10	908096		1	RACCORDO RAPIDO	ATTELLAGE	QUICK COUPLER	SCHNELLVERSCHLUSS	EMPALME RAPIDO
11	TR 2350		1	GUIDA BRACCIO SCAR. CV	COULISSE POUR BRAS	GUIDE FOR ARM	EINFÜHRUNG	GUIA DEL BRAZO DESAGOTE
12	TR 2437		1	RACCORDO A GOMITO	RACCORD	PIPE FITTING	ANSCHLUSSE	EMPALME A CODO
13	907920		1	RACCORDO	RACCORD	PIPE FITTING	ANSCHLUSSE	EMPALME
14	902450		1	FASCETTA 15÷24	COLLIER	CLAMP	SCHELLE	ABRAZADERA
15	TR 0060		1	POMPA 1,5 HP	POMPE	PUMP	PUMPE	BOMBA
16	TR 0630		1	PIASTRA FISS. POMPA	PLAQUE	PLATE	PLATTE	PLANCHA FIJACIÓN BOMBA
17	902490		6	FASCETTA 58÷75	COLLIER	CLAMP	SCHELLE	ABRAZADERA
18	TR 0477		2	TUBO GOMMA 60x70	TUYAU EN CAOUTCHOUC	RUBBER PIPE	GUMMISCHLAUCH	TUBO GOMA
19	TR 0475		1	TUBO GOMMA 50x60	TUYAU EN CAOUTCHOUC	RUBBER PIPE	GUMMISCHLAUCH	TUBO GOMA
20	TR 0715		1	RACCORDO GOMITO	RACCORD	PIPE FITTING	ANSCHLUSSE	EMPALME CODO
21	TR 0712		1	TUBO PRELAVAGGIO INF.	TUYAU DE PRELAVAGE INF.	LOWER PREWASHING PIPE	UNTERER VORSPÜLUNG SAÜLE	TUBO PRELAV. INFERIOR
22	904992		1	GUARNIZIONE	JOINT	GASKET	DICHTUNG	GUARNICIÓN
23	TR 0180		4	GHIERA 3/8"	VIROLE	LOCK NUT	NUT MUTTER	ABRAZADERA
24	TR 0179		4	GETTO DOPPIO RISCIAQUO	JET DOUBLE RINÇAGE	DOUBLE RINSE JET	DOPPELSPULDUSE	CHORRO DOBLE ENJUAGUE
25	TR 0167		1	BRACCIO COMPLETO	BRAS COMPLETE	COMPLETE ARM	KOMPLETTE ARM	BRAZO COMPLETO
26	903404		3	GUARNIZIONE	JOINT	GASKET	DICHTUNG	GUARNICIÓN





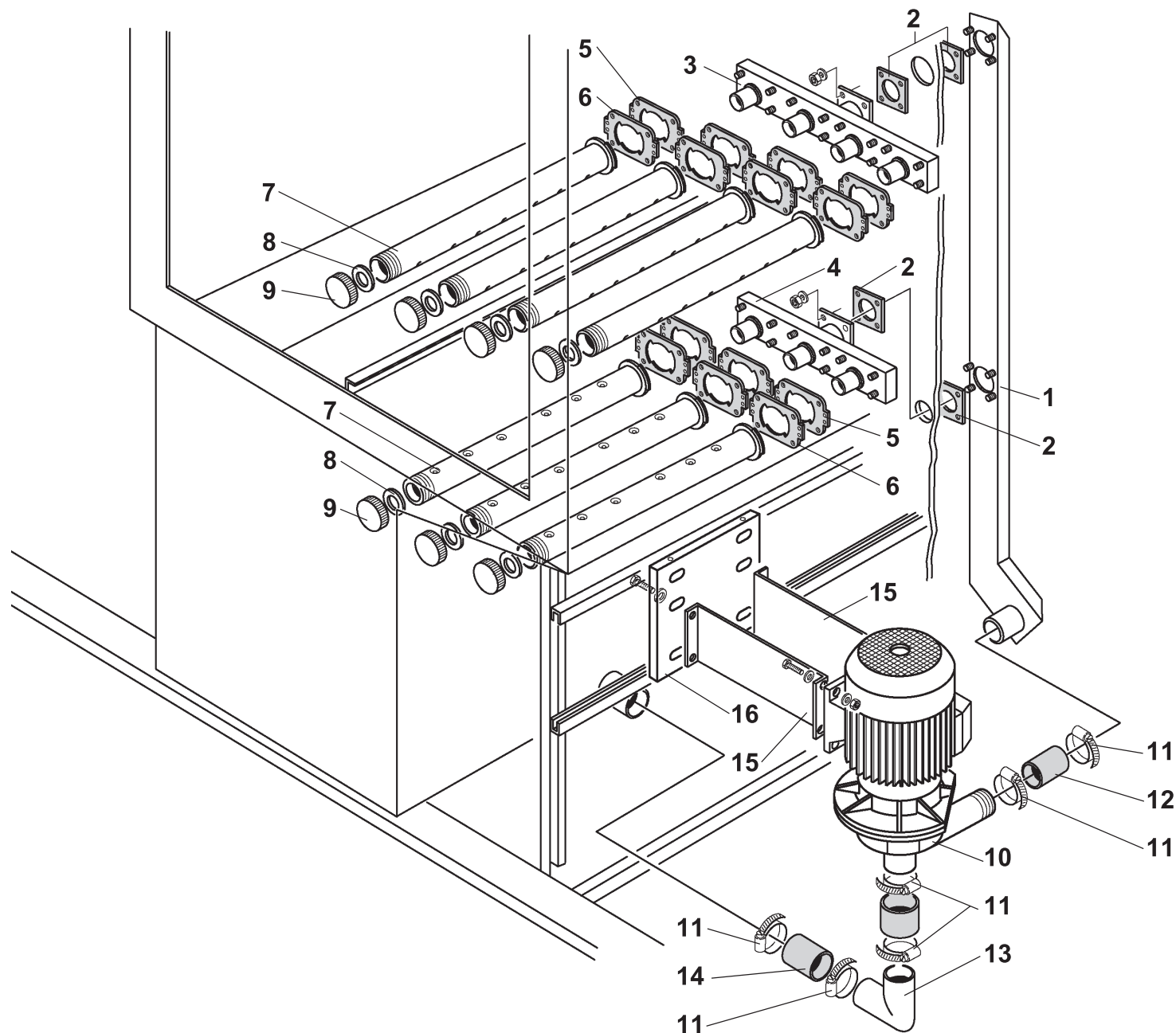
LAVASTOVIGLIE A TRAINO

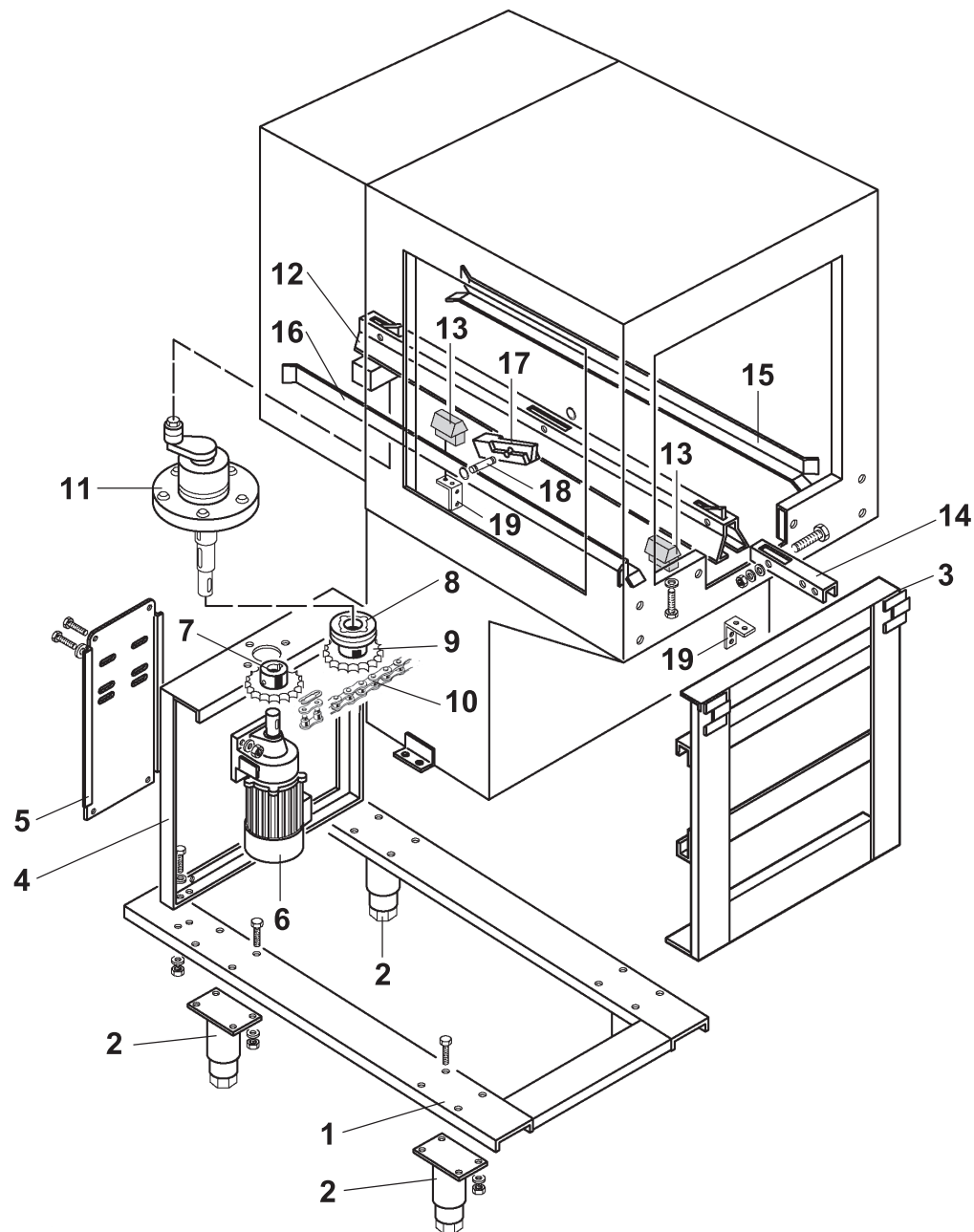
LAVAGGIO

ED.2000

TAV. 7

Pos	COD.	COD.	Q.TÀ	DESCRIZIONE	DENOMINATION	DESCRIPTION	BEZEICHNUNG	DESCRIPCIÓN
1	TR 2015		1	FILTRO	FILTRE	FILTER	FILTER	FILTRO
2	TR 2105		1	TRAVERSA	ENTRETOISE	CROSS PIECE	KREUZARM	TRAVESAÑO
3	TR 1115		1	TROPPOPIENO	NIVEAU	OVER FLOW	UBERLAUFROHR	DEMASIADO LLENO
4	TR 0464		1	GUIDA TROPPOPIENO	COULISSE NIVEAU	OVER FLOW GUIDE	UBERLAUFROHR KORB.	GUIA DEMASIADO LLENO
5	TR 1234		1	RACCORDO 1" ¼	RACCORD	PIPE FITTING	ABLAUFANSCHLUSS	EMPALME
6	904380		4	O-RING	O-RING	O-RING	O-RING	O-RING
7	902080		4	GHIERA 1" ¼	VIROLE	LOCK NUT	NUT MUTTER	ABRAZADERA
8	905450		3	RACCORDO 1" ¼	RACCORD	PIPE FITTING	ABLAUFANSCHLUSS	EMPALME
9	TR 0977		1	RACCORDO ASPIRAZIONE	RACCORD	PIPE FITTING	SAUGANSCHLUSS	EMPALME DE ASPIRACIÓN
10	TR 0268		1	TRAPPOLA ARIA	RESERVOIR AIR	AIR TRAP	LUFT FALLE	TRAMPA DEL AIRE
11	905275		1	PRESSOSTATO	PRESSOSTAT	PRESSURE SWITCH	DRUCHWAECHTER	PRESÓSTATO
12	907272		1	TUBO PRESSOSTATO	TUYAU PRESSOSTAT	PRESSURE SWITCH PIPE	SCHLAUCH	TUBO PRESÓSTATO
13	902100		1	GHIERA 3/8"	VIROLE	LOCK NUT	NUT MUTTER	ABRAZADERA
14	903260		1	GUARNIZIONE	JOINT	GASKET	DICHTUNG	GUARNICIÓN
15	TR 3196		1	PROTEZIONE GOMMA	PROTECTION EN CAOUTCH.	RUBBER COVER	SCHUTZ	PROTECCIÓN GOMA
16	TR 0309		1	REED MAGNETICO	REED	REED	REED	REED MAGNÉTICO
17	TR 0335		1	RESISTENZA 8000W	RESISTANCE	HEATING ELEMENT	HEIZKÖRPER	RESISTENCIA
18	907981		1	O-RING	O-RING	O-RING	O-RING	O-RING
19	TR 1037		1	COPRIRESISTENZA	PROTECTION RESISTANCE	HEATING COVER	HEIZKÖRPER SCHUTZ	CUBRERESISTENCIA
20	TR 0460		2	TENDINA	RIDEAU	CURTAIN	SPRITZSCHUTZ	CORTINILLA
21	907100		1	TERMOSTATO	THERMOSTAT	THERMOSTAT	THERMOSTAT	TERMÓSTATO
22	903982		1	MANOPOLA	BOUTON	KNOB	KNOPF	EMPUÑADURA
23	TR 2162		2	SQUADRETTA TENDINA	EQUERRE RIDEAU	BRACKET CURTAIN	WINKEL SPRITZSCHUTZ	ANGULAR CORTINILLA
24	TR 2034		2	ALBERO PER TENDINA	ARBRE RIDEAU	CURTAIN ROD	HALTERUNG	EJE PARA CORTINILLA
25	TR 0298		1	PORTABULBO	SIÈGE DE BULBE	SEATING BULB	KUGELSITZ	PORTABULBO
26	903250		1	GUARNIZIONE	JOINT	GASKET	DICHTUNG	GUARNICIÓN
27	902110		1	GHIERA ½"	VIROLE	LOCK NUT	NUT MUTTER	ABRAZADERA
28	TR 1071		1	SQUADRETTA REED	EQUERRE REED	REED BRACKET	WINKEL REED	ANGULAR REED
29	906399		1	SQUADRETTA PRESSOSTATO	EQUERRE PRESSOSTAT	PRESSURE SWITCH BRACKET	WINKEL DRUCHWAECHTER	ANGULAR PROSÓSTATO





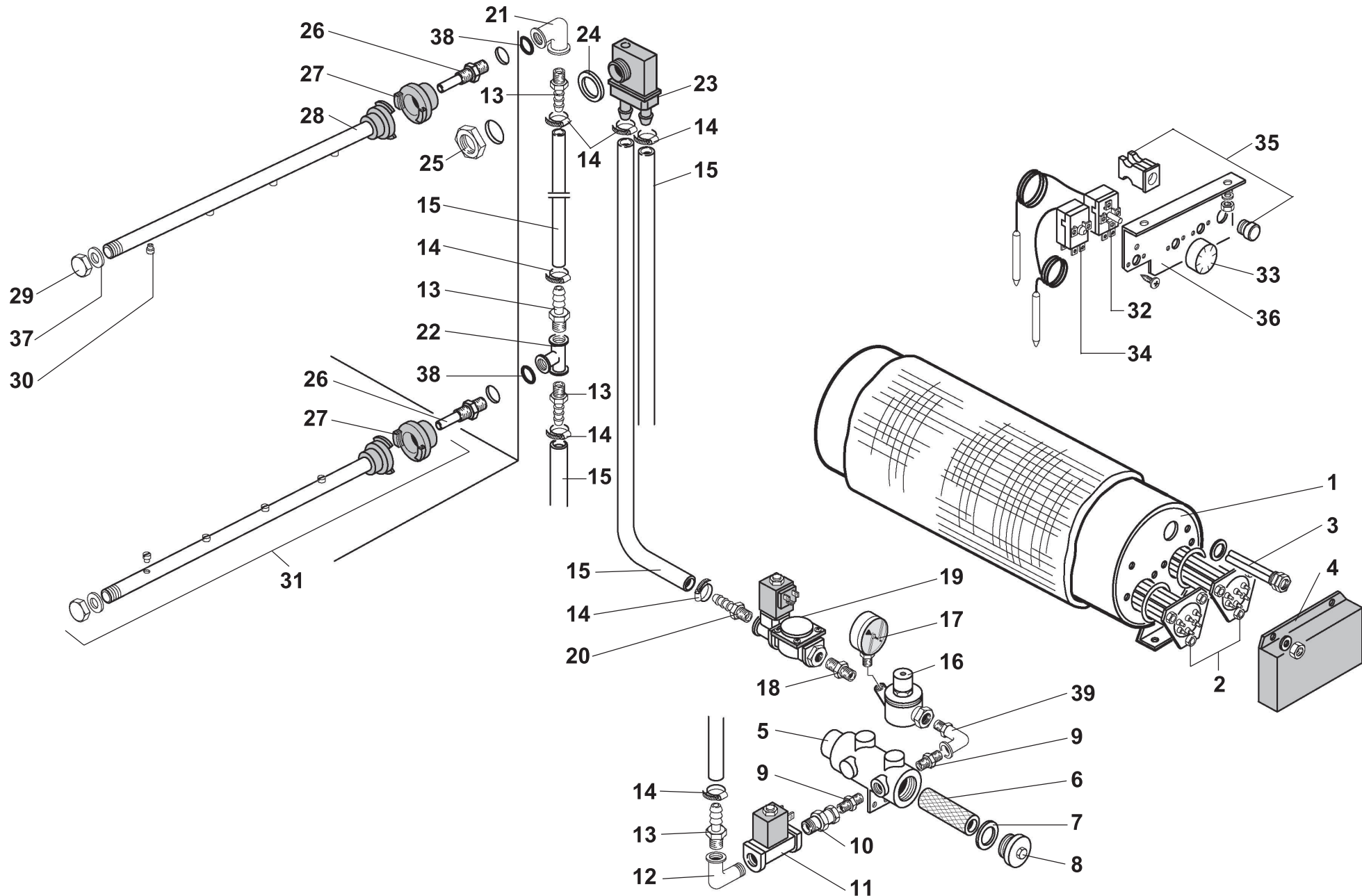
LAVASTOVIGLIE A TRAINO

CAPOTE LAVAGGIO

ED.2000

TAV. 9

Pos	COD.	COD.	Q.TÀ	DESCRIZIONE	DENOMINATION	DESCRIPTION	BEZEICHNUNG	DESCRIPCIÓN
1	TR 0593		1	TELAIO	CHASSIS	FRAME	RAHMEN	BASTIDOR
2	TR 0299		4	PIEDE	PIED	FOOT	FUSS	PIÉ
3	TR 0595		1	SUPPORTO VASCA LAVAGGIO	CHASSIS	TANK SUPPORT FRAME	TANK RAHMEN	SOPORTE PILETA LAVADO
4	TR 0506		1	SUPPORTO MOTORIDUTTORE	SUPPORT MOTOREDUCTEUR	SPEED REDUCER SUPPORT	GETRIEBEMOTORTRÄGER	SOPORTE MOTORREDUCTOR
5	TR 0588		1	PIASTRA MOTORIDUTTORE	PLAQUE MOTOREDUCTEUR	SPEED REDUCER PLATE	GETRIEBEMOTORPLATTE	PLANCHA MOTORREDUCTOR
6	TR 0250		1	MOTORIDUTTORE 1 VEL.	MOTOREDUCTEUR	SPEED REDUCER	GETRIEBEMOTOR	MOTORREDUCTOR
6	TR 0260		1	MOTORIDUTTORE 2 VEL.	MOTOREDUCTEUR	SPEED REDUCER	GETRIEBEMOTOR	MOTORREDUCTOR
7	TR 0512		1	PIGNONE Z 14	PIGNON	SPROCKET	RITZEL	PIÑÓN
7	TR 0266		1	PIGNONE Z 18	PIGNON	SPROCKET	RITZEL	PIÑÓN
7	TR 0267		1	PIGNONE Z 28	PIGNON	SPROCKET	RITZEL	PIÑÓN
8	TR 0241		1	LIMITATORE DI COPPIA	LIMITATEUR DE COUPLE	CLUTCH	KUPPLUNG	LIMITADOR DE PARES
9	TR 0045		1	CORONA Z 20	COURONNE	SPROCKET	ZAHNRAD	CORONA
10	TR 0025		1	CATENA P = 1/2" T 1650	CHAINE	CHAIN	KETTE	CADENA
10	TR 0027		1	CATENA P = 1/2" T 2000	CHAINE	CHAIN	KETTE	CADENA
10	TR 0028		1	CATENA P = 1/2" T 3000	CHAINE	CHAIN	KETTE	CADENA
11	TR 2042		1	TRAINO	AVANCEMENT	DRIVE EXCENTER	EXZENTER	REMOLQUE
12	TR 2062		1	GUIDA SALTARELLI	RAIL SAUTERELLE	PAWL BAR	ZENTRALE MITNAHME	GUIA TRINQUETES
13	TR 0357		2	SUPPORTO GUIDA SALTARELLO	SUPPORT	FRICTION PAD	GLEITSTÜCK	SOPORTE GUIDA TRINQUETE
14	TR 2052		1	GIUNZIONE GUIDE	LIAISON POUR COULISSE	CONNECTION GUIDE	VERBINDUNG FÜHRUNG	EMPALME GUIAS
15	TR 2084		1	GUIDA CESTELLID X	COULISSE PANIER DROITE	RIGHT BASKET GUIDE	RECHTE KORBFÜHRUNG	GUIA DERECHA CANASTOS
16	TR 2085		1	GUIDA CESTELLIS X	COULISSE PANIER GAUCHE	LEFT BASKET GUIDE	LINKE KORBFÜHRUNG	GUIA IZQUIERDA CANASTOS
17	TR 0261		4	SALTARELLO	SAUTERELLE	PAWL	NOCHE	TRINQUETE
18	TR 2129		4	PERNO	AXE	PIN	STIFT	PERNO
19	TR 0622		2	SOSTEGNO CENTRALE	SUPPORT CENTRAL	CENTRAL STANCHION	ZENTRALE UNTERSTUTZ.	SOSTEN CENTRAL



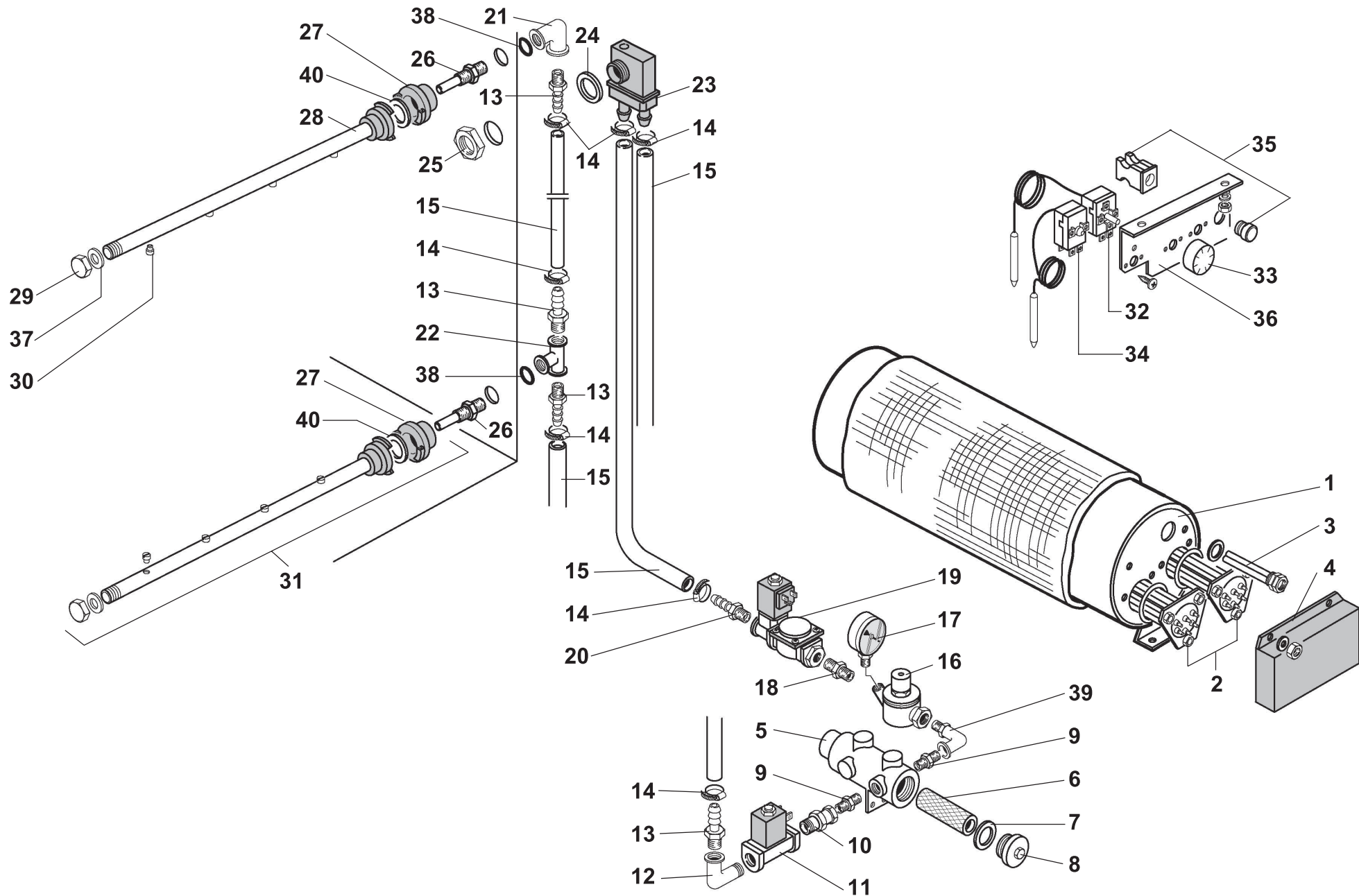
LAVASTOVIGLIE A TRAINO

RISCIACQUO

ED.2000

TAV. 10

Pos	COD.	COD.	Q.TÀ	DESCRIZIONE	DENOMINATION	DESCRIPTION	BEZEICHNUNG	DESCRIPCIÓN
1	TR 0036		1	BOILER	CHAUFFE EAU	BOILER	HEISSWASSERSPEICHER	BOILER
2	TR 0341		2	RESISTENZA 9000 W	RESISTANCE	HEATING ELEMENT	HEIZKÖRPER	RESISTENCIA
3	TR 0298		1	PORTABULBO	SIEGE DE BULBE	SEATING BULB	KUGELSITZ	PORTABULBO
4	TR 2021		1	COPRIRESISTENZA	PROTECTION RESISTANCE	HEATING COVER	HEIZKÖRPER SCHUTZ	CUBRERESISTENCIA
5	TR 0126		1	FILTRO 2 VIE	FILTRE	FILTER	FILTER	FILTRO A DOS
6	TR 0123		1	FILTRO A CARTUCCIA	FILTRE	FILTER	FILTER	FILTRO CON CARTUCHO
7	903406		1	GUARNIZIONE	JOINT	GASKET	DICHTUNG	GUARNICIÓN
8	TR 2382		1	TAPPO	BOUCHON	PLUG	PROPFEN	TAPÓN
9	TR 2322		2	NIPPLO ½"	NIPPLES	NIPPLE	NIPPLE	NIPLE
10	TR 2335		1	BOCCHETTONE DIRITTO ½"	GOULOTTE	PIPE UNION	STUTZEN	RAMPA DE DESAGÜE RECTO
11	TR 0091		1	ELETTRIVALVOLA ½"	ELECTROVANNE	ELECTRIC VALVE	ELEKTROVENTIL	VALVULA ELECTRICA
12	TR 2420		1	RACCORDO GOMITO ½"	RACCORD	PIPE FITTING	ANSCHLUSSE	EMPALME CODO
13	TR 2375		3	RACCORDO PORTAGOMMA ½"	RACCORD	PIPE FITTING	ANSCHLUSSE	EMPALME GOME PARA PUERTA
14	902450		7	FASCETTA 15÷24	COLLIER	CLAMP	SCHELLE	ABRAZADERA
15	907350		3	TUBO GOMMA 12x22	TUYAU EN CAOUTCHOUC	RUBBER PIPE	GUMMISCHLAUCH	TUBO GOMA
16	TR 0371		1	RIDUTTORE DI PRESSIONE	REDUCTEUR	PRESSURE REDUCER	DRUCKMINDERER	REDUCTOR DE PRECIÓN
17	TR 0399		1	MANOMETRO	MANOMETRE REDUCTEUR	PRESSURE GANGE	DRUCK MESSER	MANÓMETRO
18	TR 2347		1	NIPPLO RIDOTTO ½"-¾"	NIPPLES	NIPPLE	NIPPLE	NIPLE REDUCCIÓN
19	TR 0090		1	ELETTRIVALVOLA ¾"	ELECTROVANNE	ELECTRIC VALVE	ELEKTROVENTIL	VALVULA ELECTRICA
20	907890		1	RACCORDO PORTAGOMMA ¾"	RACCORD	PIPE FITTING	ANSCHLUSSE	EMPALME GOME PARA PUERTA
21	TR 2437		1	RACCORDO GOMITO ½"	RACCORD	PIPE FITTING	ANSCHLUSSE	EMPALME CODO
22	TR 2404		1	RACCORDO 3 VIE ½"	RACCORD	PIPE FITTING	ANSCHLUSSE	EMPALME 3 DIRECCIONES



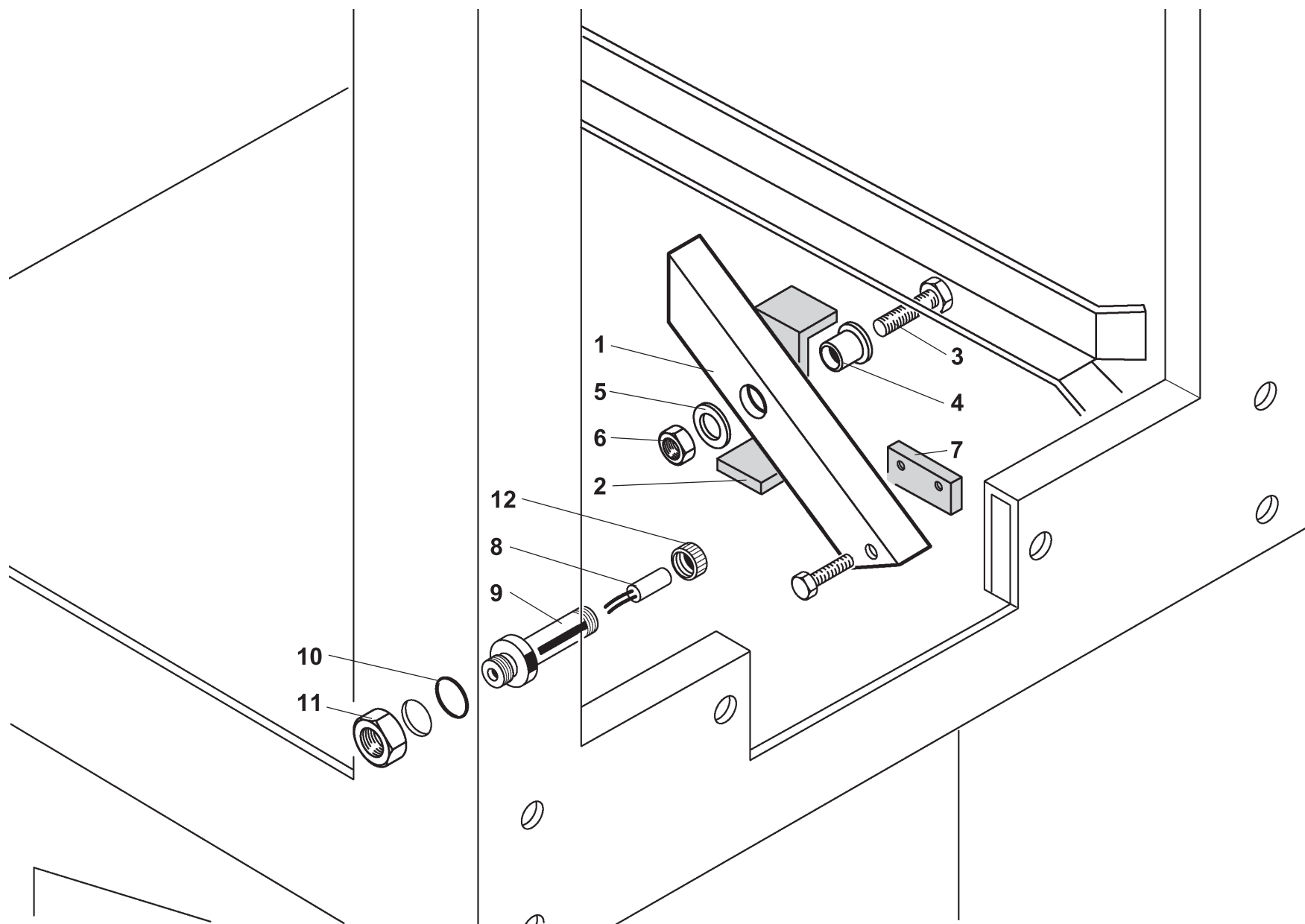
LAVASTOVIGLIE A TRAINO

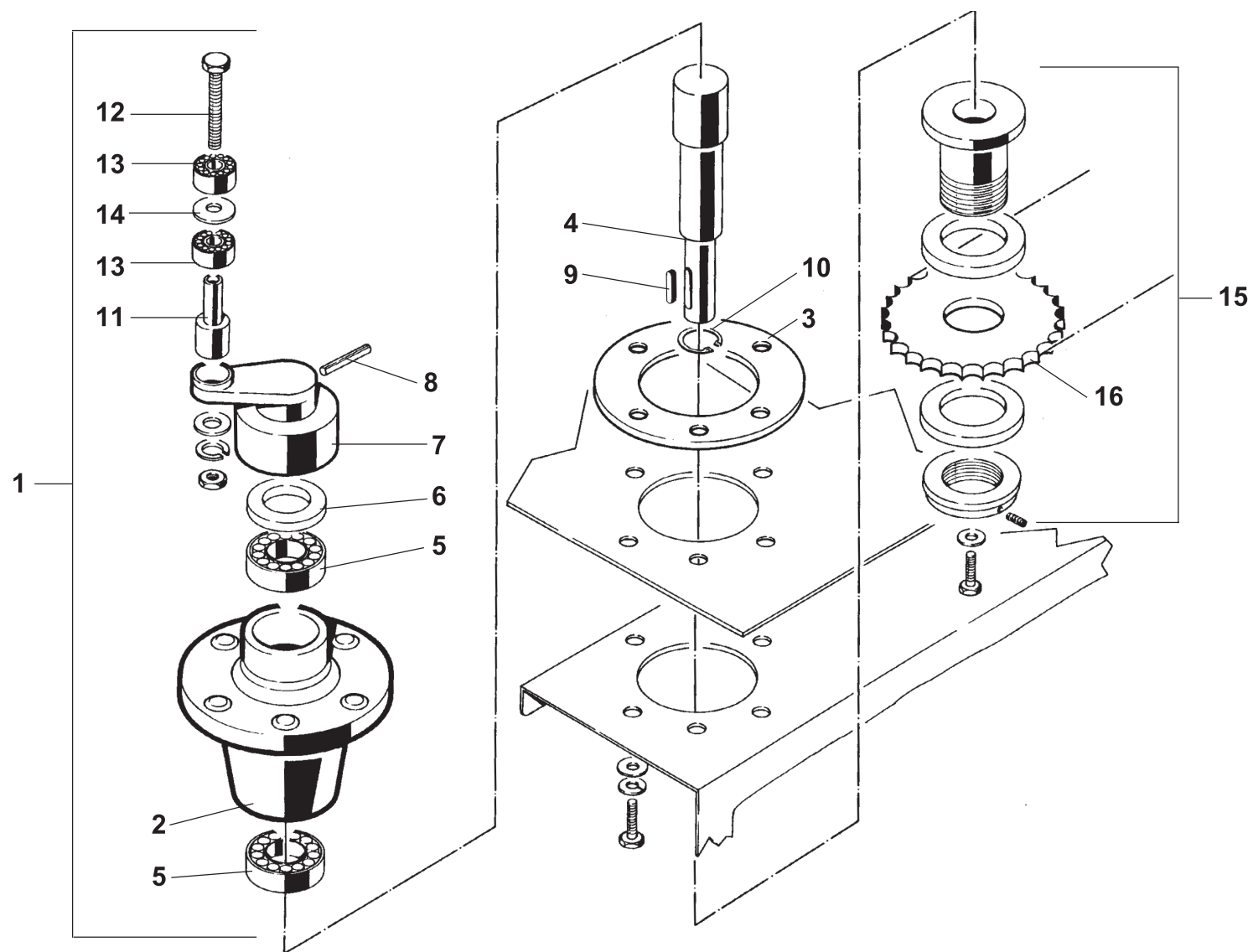
RISCIACQUO

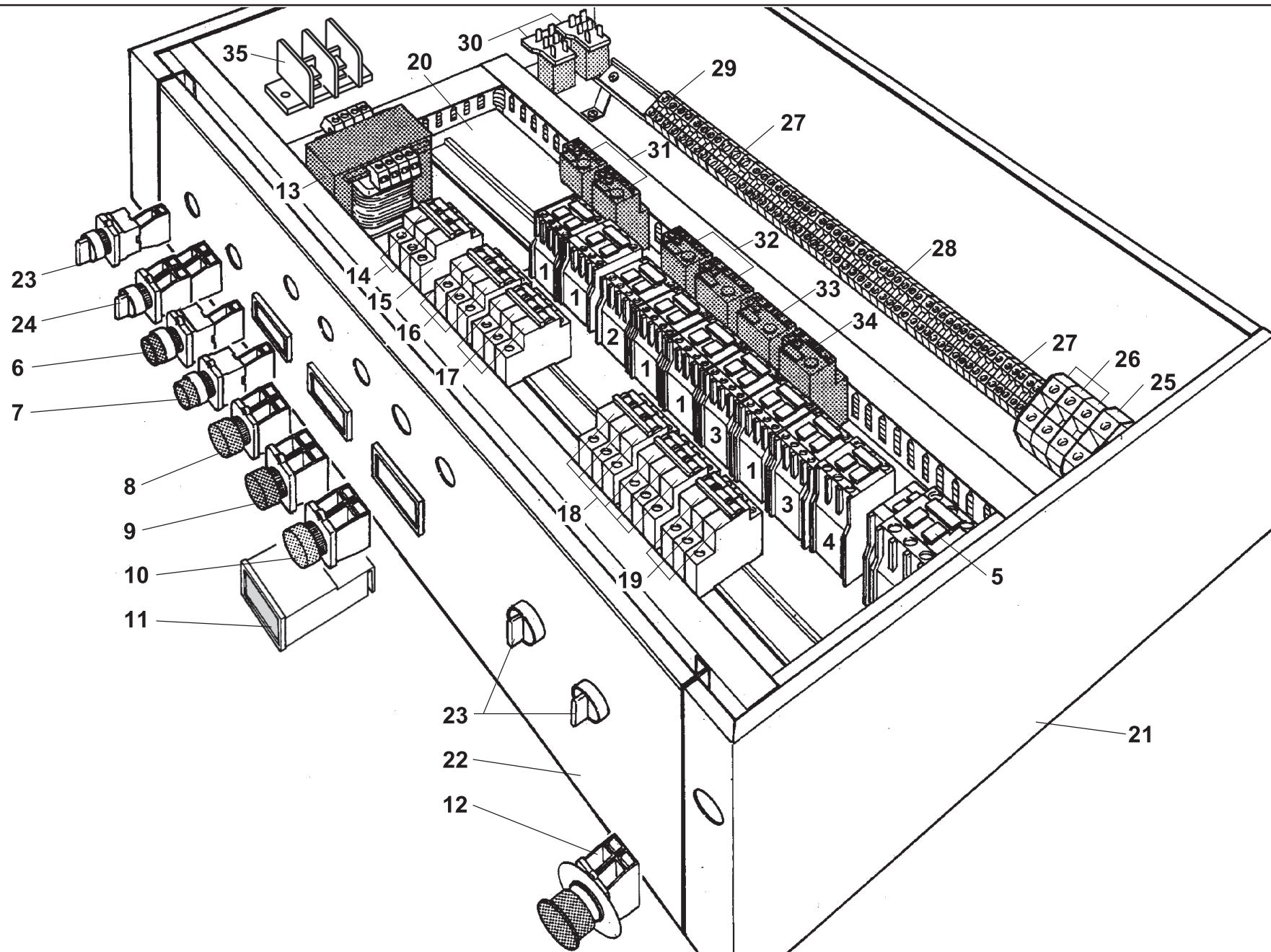
ED.2000

TAV. 10

Pos	COD.	COD.	Q.TÀ	DESCRIZIONE	DENOMINATION	DESCRIPTION	BEZEICHNUNG	DESCRIPCIÓN
23	907460		1	VALVOLA ANTIRITORNO	VALVE	VALVE	VENTIL	VALVULA ANTIREGRESO
24	903290		1	GUARNIZIONE	JOINT	GASKET	DICHTUNG	GUARNICIÓN
25	TR 0138		1	GHIERA PG 21	VIROLE	LOCK NUT	NUT MUTTER	ABRAZADERA
26	TR 2350		2	GUIDA BRACCIO RISCIACQUO	COULISSE POUR BRAS	GUIDE FOR ARM	EINFÜHRUNG	GUIA DEL BRAZO ENJUAGUE
27	908096		2	RACCORDO RAPIDO	ATELLAGE	QUICK COUPLER	SCHNELLVERSCHLUSS	EMPALME RAPIDO
28	TR 0010		2	BRACCIO RISCIACQUO SUP./INF.	BRAS RINÇAGE SUP./INF.	UPPER/LOWER RINSE ARM	OBERER/UNTERER NACHSPÜL.	BRAZO ENJUAGUE SUP./INF.
29	TR 3227		2	TAPPO	BOUCHON	PLUG	PROPFEN	TAPÓN
30	TR 0003		8	GETTO RISCIACQUO	JET DE RINÇAGE	RINSE JET	SPÜLDUSE	CHORRO ENJUAGUE
31	TR 0011		2	BRACCIO RISCIACQUO COMPL.	BRAS RINÇAGE SUP./INF.	UPPER/LOWER RINSE ARM	OBERER/UNTERER NACHSPÜL.	BRAZO ENJUAGUE COMP.
32	907100		1	TERMOSTATO BOILER	THERMOSTAT	THERMOSTAT	THERMOSTAT	TERMÓSTATO BOILER
33	903982		1	MANOPOLA	BOUTON	KNOB	KNOPF	EMPUÑADURA
34	907125		1	TERMOSTATO SICUREZZA	THERMOSTAT	THERMOSTAT	THERMOSTAT	TERMÓSTATO DE SEGURIDAD
35	TR 0105		1	PULSANTE RIEMPIM. BOILER	BOUTON	PUSH BUTTON	DRUCKTASTE	INTERR. DE LLENADO BOILER
36	TR 2171		1	SQUADRETTA TERMOSTATI	EQUERRE THERMOSTAT	THERMOSTAT BRACKET	WINKELTHERMOSTAT	ANGULAR TERMÓSTATO
37	903351		2	GUARNIZIONE	JOINT	GASKET	DICHTUNG	GUARNICIÓN
38	904992		2	GUARNIZIONE	JOINT	GASKET	DICHTUNG	GUARNICIÓN
39	TR 2333		1	BOCCHETTONE CURVO ½"	GOULOTTE	PIPE UNION	STUTZEN	RAMPA DE DESAGÜE CURVO
40	903321		2	GUARNIZIONE	JOINT	GASKET	DICHTUNG	GUARNICIÓN







Pos	COD.	COD.	Q.TÀ	DESCRIZIONE	DENOMINATION	DESCRIPTION	BEZICHNUNG	DESCRIPCIÓN
1	TR0370		5	TELERUTTORE 9A	TELERUPTEUR	CONTACTOR	SCHUTZ	TELERRUPTOR
2	TR0373		1	TELERUTTORE 18A	TELERUPTEUR	CONTACTOR	SCHUTZ	TELERRUPTOR
3	TR0372		2	TELERUTTORE 9A	TELERUPTEUR	CONTACTOR	SCHUTZ	TELERRUPTOR
4	TR0383		1	TELERUTTORE 25A	TELERUPTEUR	CONTACTOR	SCHUTZ	TELERRUPTOR
5	TR0388		5	TELERUTTORE 32A	TELERUPTEUR	CONTACTOR	SCHUTZ	TELERRUPTOR
6	TR0351		1	PULSANTE D'ARRESTO	BOUTON D'ARRET	STOP PUSH BUTTON	NOTSTOPTASTE	INTERRUPTOR DE DETENCION
7	TR0349		1	PULSANTE DI MARCIA	BOUTON DEMARRAGE	START PUSH BUTTON	ANLASSKNOPF	INTERRUPTOR DE ENCENDIDO
8	TR0284		1	PULSANTE LUMINOSO VERDE	BOUTON VERTE	GREEN PUSH BUTTON	GRUNE DRUCKTASTE	INTERRUPTOR LUZ VERDE
9	TR0287		1	PULSANTE LUMINOSO ROSSO	BOUTON ROUGE	RED PUSH BUTTON	ROTE DRUCKTASTE	INTERRUPTOR LUZ ROJA
10	TR0348		1	PULSANTE LUMINOSO GIALLO	BOUTON JAUNE	YELLOW PUSH BUTTON	GELB DRUCKTASTE	INTERRUPTOR LUZ AMARILLA
11	TR0402		3	TERMOMETRO DIGITALE	THERMOMETRE DIGITAL	DIGITAL THERMOMETER	DIGITAL THERMOMETER	TERMÓMETRO DIGITAL
12	TR0328		1	PULSANTE ARRESTO GENERALE	BOUTON D'ARRET GEN.	MAIN STOP PUSH BUTTON	NOT STOP TASTE	INTER. DETENCION GRAL.
13	TR0415		1	TRASFORMATORE 330 VA	TRANSFORMATEUR	TRANSFORMER	TRANSFORMATOR	TRASFORMADOR
14	TR0222		2	INTERRUTTORE 2P 4A	INTERRUPTEUR	MAIN SWITCH	SCHALTER	INTERRUPTOR
15	TR0223		1	INTERRUTTORE 1P 16A	INTERRUPTEUR	MAIN SWITCH	SCHALTER	INTERRUPTOR
16	TR0211		3	INTERRUTTORE 3P 10A	INTERRUPTEUR	MAIN SWITCH	SCHALTER	INTERRUPTOR
17	TR0213		3	INTERRUTTORE 3P 32A	INTERRUPTEUR	MAIN SWITCH	SCHALTER	INTERRUPTOR
18	TR0212		6	INTERRUTTORE 3P 20A	INTERRUPTEUR	MAIN SWITCH	SCHALTER	INTERRUPTOR
19	TR0215		3	INTERRUTTORE 3P 40A	INTERRUPTEUR	MAIN SWITCH	SCHALTER	INTERRUPTOR
20	TR0501		1	SUPP. COMP. ELETTRICI	SUPP. COMP. ELECTRIQUES	ELECTRIC COMP. SUPPORT	KOMPONENTE SUPPORT	SOPORTE COMP. ELECTRICOS
21	TR0494		1	CASSETTA ELETTRICA	BOITE ELECTRIQUE	CABINET	SCHALKASTEN	CAJA ELÉCTRICA
22	TR0281		1	PANNELLO COMANDI	TABLEAU COMMANDE	CONTROL PANEL	SCHALTAFEL	PANEL DE COMANDO
23	TR0310		3	SELETTORE 0-1	SELECTEUR 0-1	SELECTOR 0-1	WAHLSCHALTER	SELECCIONADOR
24	TR0311		1	SELETTORE 0-1-2	SELECTEUR 0-1-2	SELECTOR 0-1-2	WAHLSCHALTER	SELECCIONADOR
25	TR0257		1	MORSETTO TERRA 35 mm ²	BORNE	TERMINAL	KLEMMLEISTE	GRAMPA TIERRA
26	TR0255		3	MORSETTO 35 mm ²	BORNE	TERMINAL	KLEMMLEISTE	GRAMPA
27	TR0319		12	MORSETTO 10 mm ²	BORNE	TERMINAL	KLEMMLEISTE	GRAMPA
28	TR0248		56	MORSETTO 4 mm ²	BORNE	TERMINAL	KLEMMLEISTE	GRAMPA
29	TR0334		1	MORSETTO CHIUSURA 10 mm ²	BORNE	TERMINAL	KLEMMLEISTE	GRAMPA DE LA CERRADURA
30	TR0300		2	RELÈ 24 V	RELAIS	RELAY	RELAIS	RELÉ
31	TR0394		2	TERMICA 1,25-2A	TERMIQUE	OVERLOAD RELAY	THERMOAUSLOSER	TERMICA
32	TR0390		2	TERMICA 0,63-1A	TERMIQUE	OVERLOAD RELAY	THERMOAUSLOSER	TERMICA
33	TR0393		1	TERMICA 2,5-4A	TERMIQUE	OVERLOAD RELAY	THERMOAUSLOSER	TERMICA
34	TR0400		1	TERMICA 4-6A	TERMIQUE	OVERLOAD RELAY	THERMOAUSLOSER	TERMICA
35	955068		1	MORSETTO NYLON 4 mm ²	BORNE	TERMINAL	KLEMMLEISTE	GRAMPA NAYLON

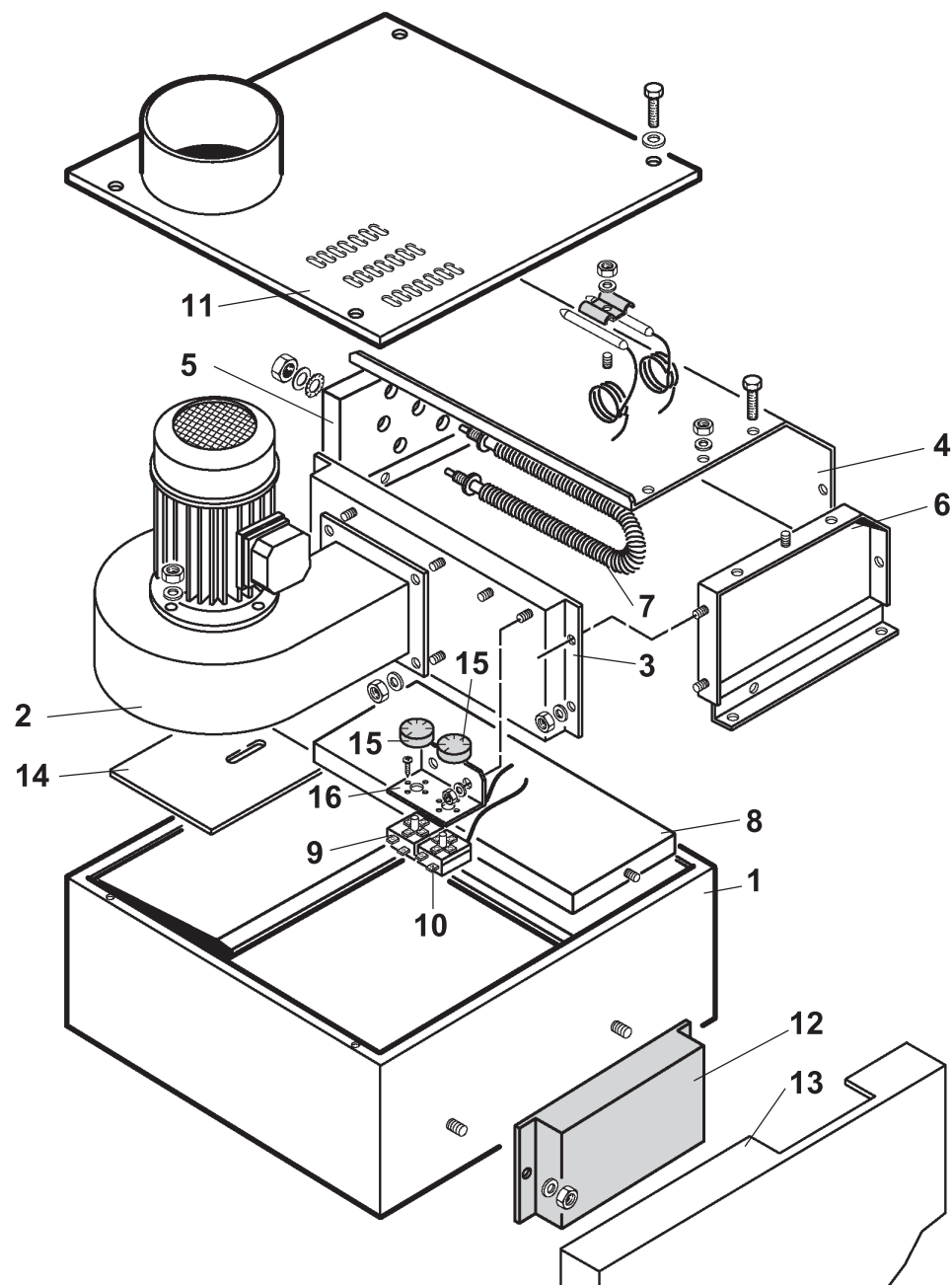
LAVASTOVIGLIE A TRAINO

ASCIUGATURA

ED.2000

TAV. 14

Pos	COD.	COD.	Q.TÀ	DESCRIZIONE	DENOMINATION	DESCRIPTION	BEZEICHNUNG	DESCRIPCIÓN
1	TR 2189		1	CAPOTE ASCIUGATURA	CAPOTE TUNNEL SECHAGE	DRYING TUNNEL	TROCKEN ZONE	CAPOT SECADO
2	TR 2117		1	GUIDA CESTELLIANT.	COULISSE PANIER	BASKET GUIDE	KORBUFÜHRUNG	GUIA ANTERIOR CANASTOS
2	TR 2118		1	GUIDA CESTELLIPOST.	COULISSE PANIER	BASKET GUIDE	KORBUFÜHRUNG	GUIA POSTERIOR CANASTOS
3	TR 2067		1	GUIDA SALTARELLI	RAIL SAUTERELLE	PAWL BAR	ZENTRALE MITNAHME	GUIA TRINQUETES
4	TR 0261		2	SALTARELLO	SAUTERELLE	PAWL	NOCHE	TRINQUETE
5	TR 2129		2	PERNO	AXE	PIN	STIFT	PERNO
6	TR 0321		4	SEEGER	SEEGER	SEEGER	SEEGERSICHERUNG	RETÉN
7	TR 0589		1	SOSTEGNO CENTRALE	SUPPORT CENTRAL	CENTRAL STANCHION	ZENTRALE UNTERSTUTZ.	SOSTEN CENTRAL
8	TR 0357		1	SUPPORTO GUIDA	SUPPORT COULISSE	FRICTION PAD	GLEITSTUCK	SOPORTE GUIDA
9	TR 2052		1	GIUNZIONE GUIDA	LIAISON COULISSE	CONNECTION GUIDE	VERBINDUNG FÜHRUNG	EMPALME GUIDA
10	TR 0645		2	SUPPORTO GUIDA CEST. SX	SUPPORT COULISSE	SUPPORT GUIDE	FÜHRUNG HALTERUNG	SOP. GUIDA CANASTO IZQUIERDA
11	TR 0644		2	SUPPORTO GUIDA CEST. DX	SUPPORT COULISSE	SUPPORT GUIDE	FÜHRUNG HALTERUNG	SOP. GUIDA CANASTO DERECHO
12	TR 1234		1	RACCORDO SCARICO 1" ¼	RACCORD	PIPE FITTING	ANSCHLUSS	EMPALME DESAGOTE
13	904380		1	O-RING	O-RING	O-RING	O-RING	O-RING
14	902080		1	GHIERA 1" ¼	VIROLE	LOCK NUT	NUT MUTTER	ABRAZADERA
15	TR 2163		2	SQUADR. USCITA CESTELLI	EQUERRE SORTIE PANIER	BRACKET UNLOADING TRACK	AUSLAUFWINKEL KORBUF.	ANGULAR SALIDA CANASTO
16	TR 0596		1	SUPP. MOTORIDUTTORE	SUPPORT MOTOREDUCTEUR	SPEED REDUCER SUPPORT	GETRIEBEMOTORTRÄGER	SOPORTE MOTORREDUCTOR
17	TR 0623		1	SUPP. CAPOTE ASCIUGATURA	SUPPORT TUNNEL SECHAGE	DRYING TUNNEL SUPPORT	TROCKEN ZONE SUPPORT	SOPORTE CAPOT SECADO
18	TR 0597		1	TELAIO	CHASSIS	FRAME	RAHMEN	BASTIDOR
19	TR 0299		4	PIEDE	PIED	FOOT	FUSS	PIÉ
20	TR 0470		1	TENDINA	RIDEAU	CURTAIN	SPRITZSCHUTZ	CORTINILLA
21	TR 2034		2	ALBERO TENDINA	ARBRE RIDEAU	CURTAIN ROD	HALTERUNG	EJE CORTINILLA
22	TR 0460		1	TENDINA	RIDEAU	CURTAIN	SPRITZSCHUTZ	CORTINILLA
23	TR 2169		2	SQUADR. PER TENDINA	EQUERRE POUR RIDEAU	BRACKET CURTAIN	WINKEL SPRITZSCHUTZ	ANGULAR PARA CORTINILLA
24	TR 0646		1	GIUNZIONE TELAIO	LIAISON POUR CHASSIS	CONNECTION FRAME	VERBINDUNG RAHMEN	EMPALME BASTIDOR
25	TR 2186		1	DEFLETTORE ASPIRAZIONE	DEFLECTEUR ASPIRATION	SUCTION DEFLECTOR	UMLENKBLECH	DEFLECTOR DE ASPIRACIÓN
26	TR 2188		1	CONVOGLIATORE	CONVOYER	CHANNEL	ABLEITBLECH	TRANSPORTADOR
27	TR 0315		1	DEFLETTORE GOMMA	DEFLECTEUR EN CAOUTC.	RUBBER CHANNEL	GUMMIABLEITBLECH	DEFLECTOR DE GOMA



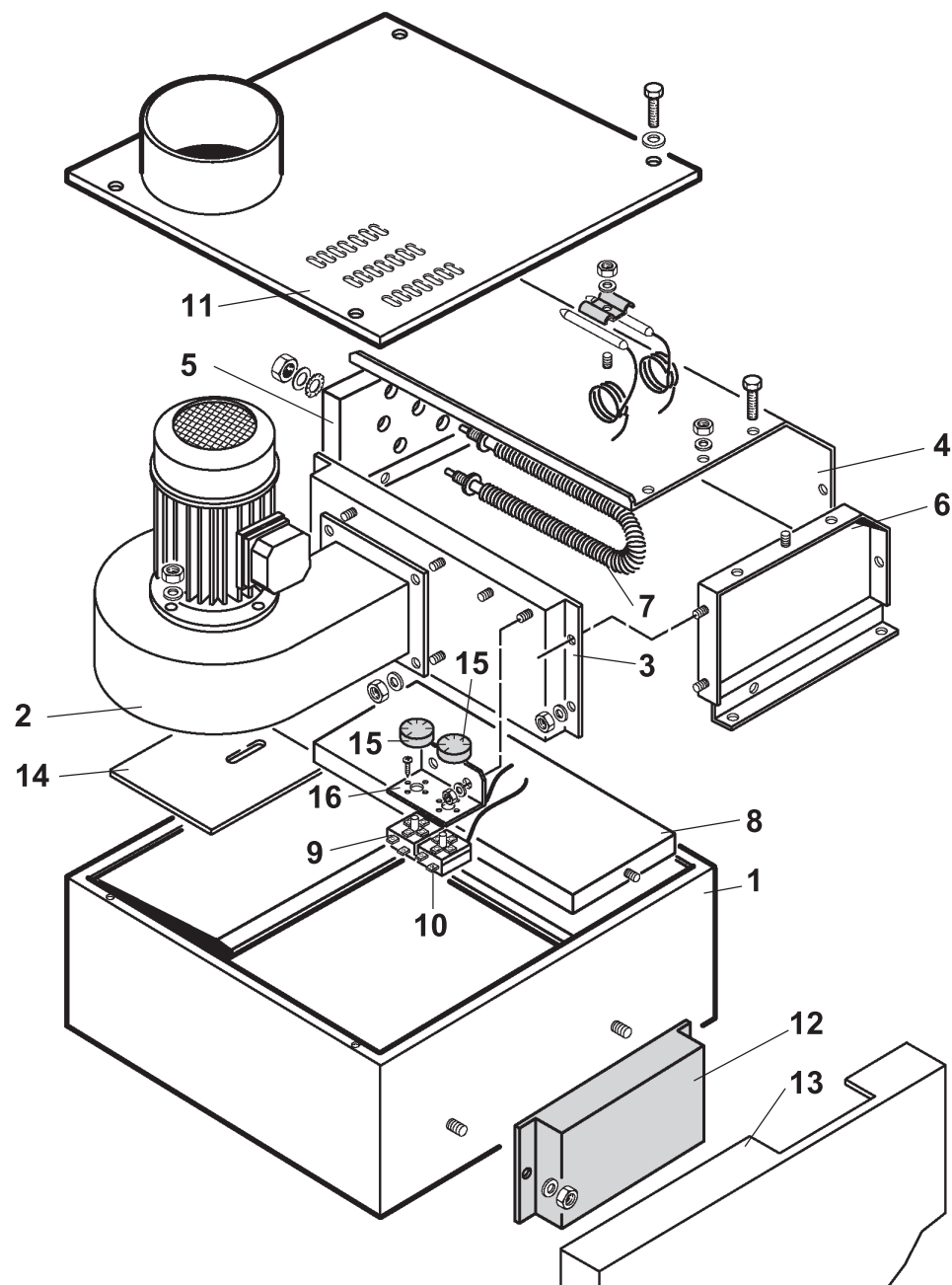
LAVASTOVIGLIE A TRAINO 9kW

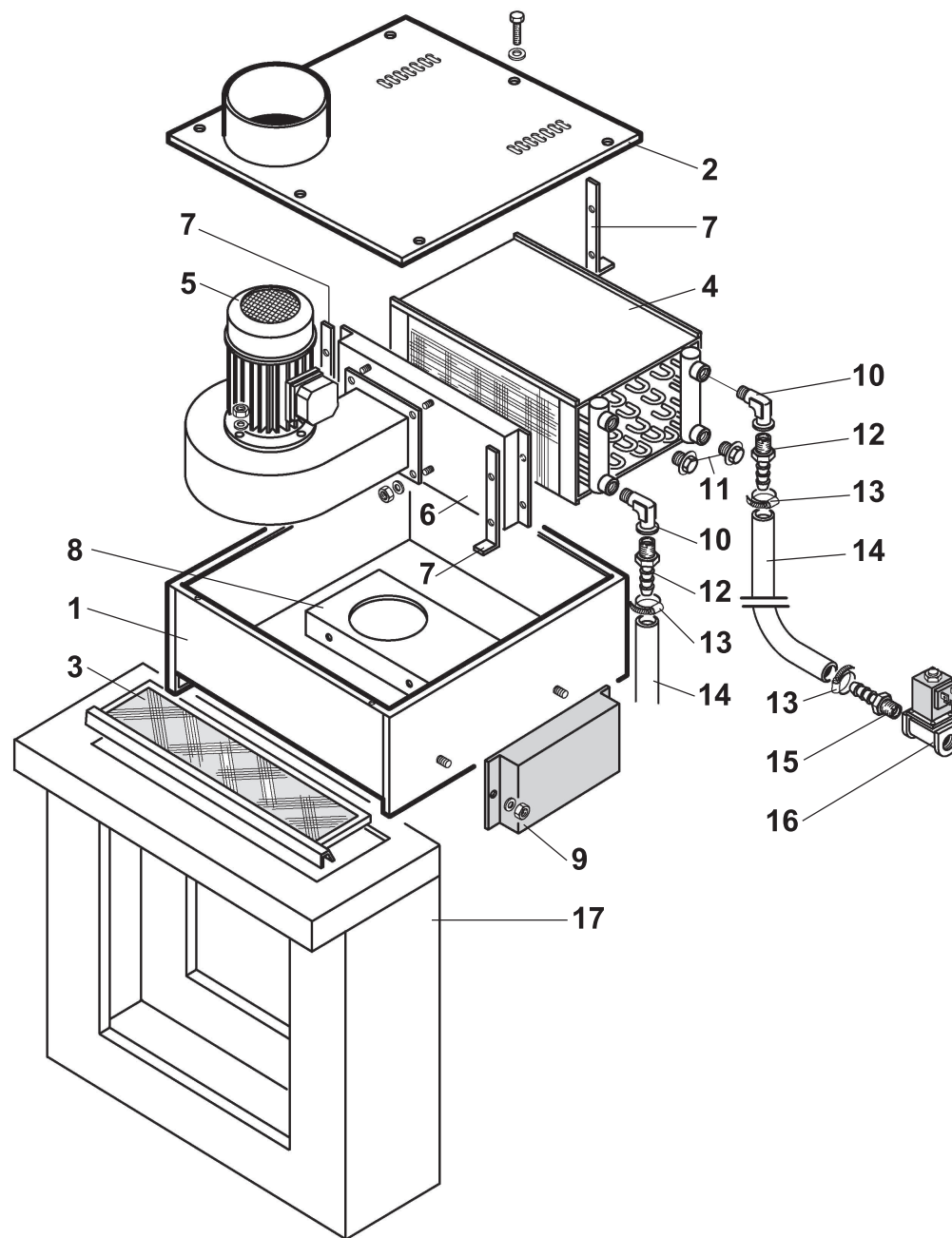
ASCIUGATURA

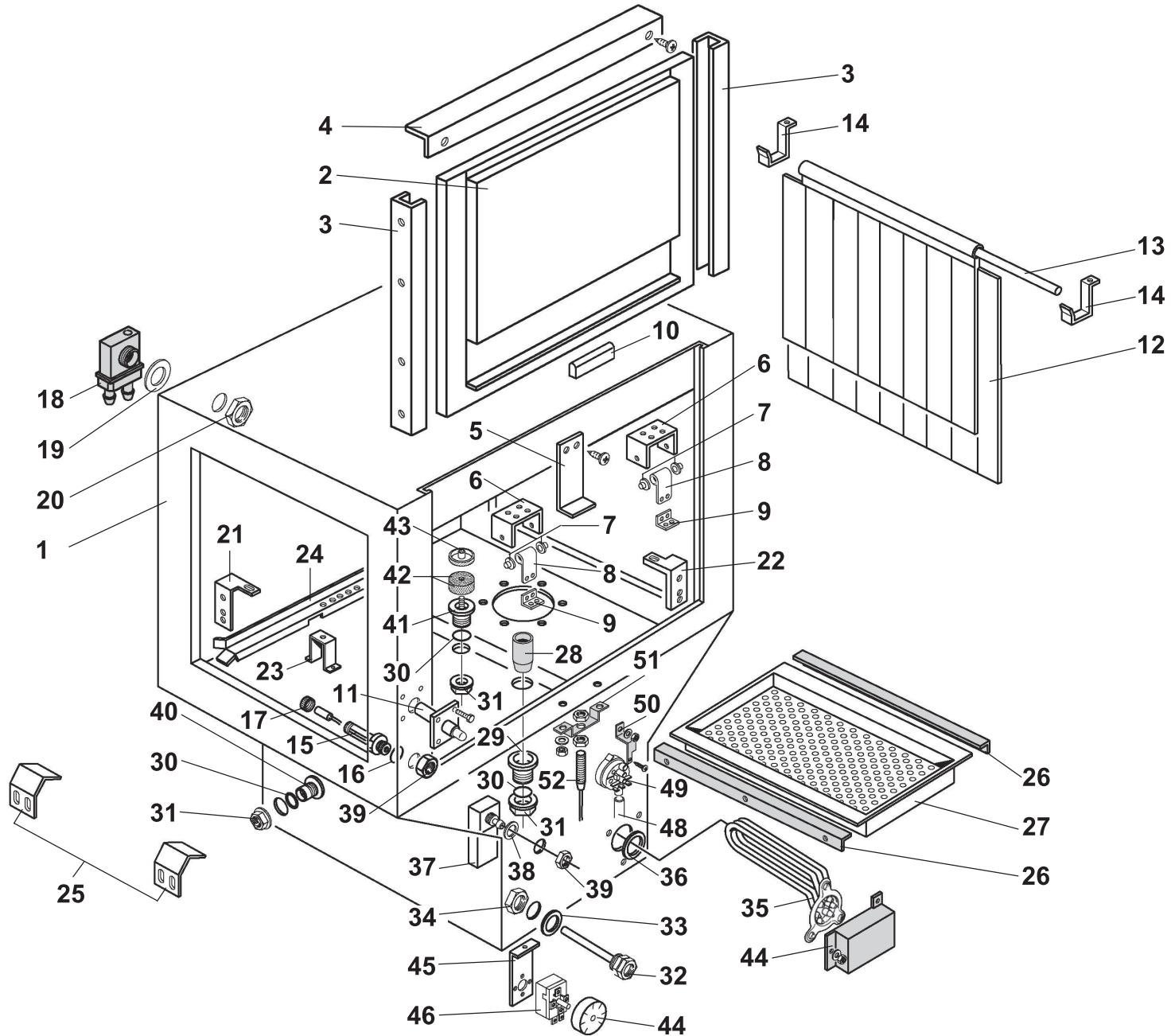
ED.2000

TAV. 15

Pos	COD.	COD.	Q.TÀ	DESCRIZIONE	DENOMINATION	DESCRIPTION	BEZEICHNUNG	DESCRIPCIÓN
1	TR 0640		1	CASSONE ASCIUGATURA	CAISSON DE SECHAGE	DRYING HOUSING	VERKLEIDUNG	CAJÓN DE SECADO
2	TR 0481		1	MOTOVENTILATORE 0,75 HP	VENTILATEUR	FAN	VENTILATOR	MOTOVENTILADOR
2	TR 0480		1	MOTOVENTILATORE 1 HP	VENTILATEUR	FAN	VENTILATOR	MOTOVENTILADOR
3	TR 2191		3	SUPPORTO VENTILATORE	SUPPORT VENTILATEUR	FAN SUPPORT	VENTILATOR TRÄGER	SOPORTE VENTILADOR
4	TR 2192		1	COPERTURA SUPERIORE	COUVERTURE SUPERIEUR	UPPER COVERING	OBERER DECKUNG	COBERTURA SUPERIOR
5	TR 2193		1	SPALLA PORTARESISTENZA DX	SUPPORT PORTERESISTANCE	HEATER BATTERY SUPPORT	HEIZKORPERTRÄGER HALTER	APOYO PORTARES. DERECHA
6	TR 2194		1	SPALLA PORTARESISTENZA SX	SUPPORT PORTERESISTANCE	HEATER BATTERY SUPPORT	HEIZKORPERTRÄGER HALTER	APOYO PORTARES. IZQUIERDA
7	TR 0360		6	RESISTENZA 1500 W	RESISTANCE	HEATING ELEMENT	HEIZKÖRPER	RESISTENCIA
8	TR 2195		1	GIUNZIONE SPALLE	LIAISON	CONNECTION SHOULDERS	VERBINDUNG SCHULTERER	EMPALME POSTERIOR
9	907100		1	TERMOSTATO	THERMOSTAT	THERMOSTAT	THERMOSTAT	TERMÓSTATO
10	TR 0441		1	TERMOSTATO SICUREZZA	THERMOSTAT	THERMOSTAT	THERMOSTAT	TERMÓSTATO DE SEGURIDAD
11	TR 0641		1	COPERCHIO	COUVERCLE	COVER	DECKEL	TAPA
12	TR 0636		1	COPERTURA	COUVERTURE	COVERING	DECKUNG	COBERTURA
13	TR 2196		1	PANNELLO POSTERIORE	PANNEAU POSTERIEUR	BACK PANEL	NACH TAFEL	PANEL POSTERIORE
14	TR 2197		1	CHIUSURA VENTILATORE	FERMETURE VENTILATEUR	FAN CLOSING	VENTILATORSCHLUSS	CERRADURA VENTILADOR
15	903982		2	MANOPOLA	BOUTON	KNOB	KNOPF	EMPUÑADURA
16	TR 2217		1	SQUADRETTA TERMOSTATO	EQUERRE THERMOSTAT	THERMOSTAT BRACKET	WINKEL THERMOSTAT	ANGULAR TERMÓSTATOS







LAVASTOVIGLIE A TRAINO

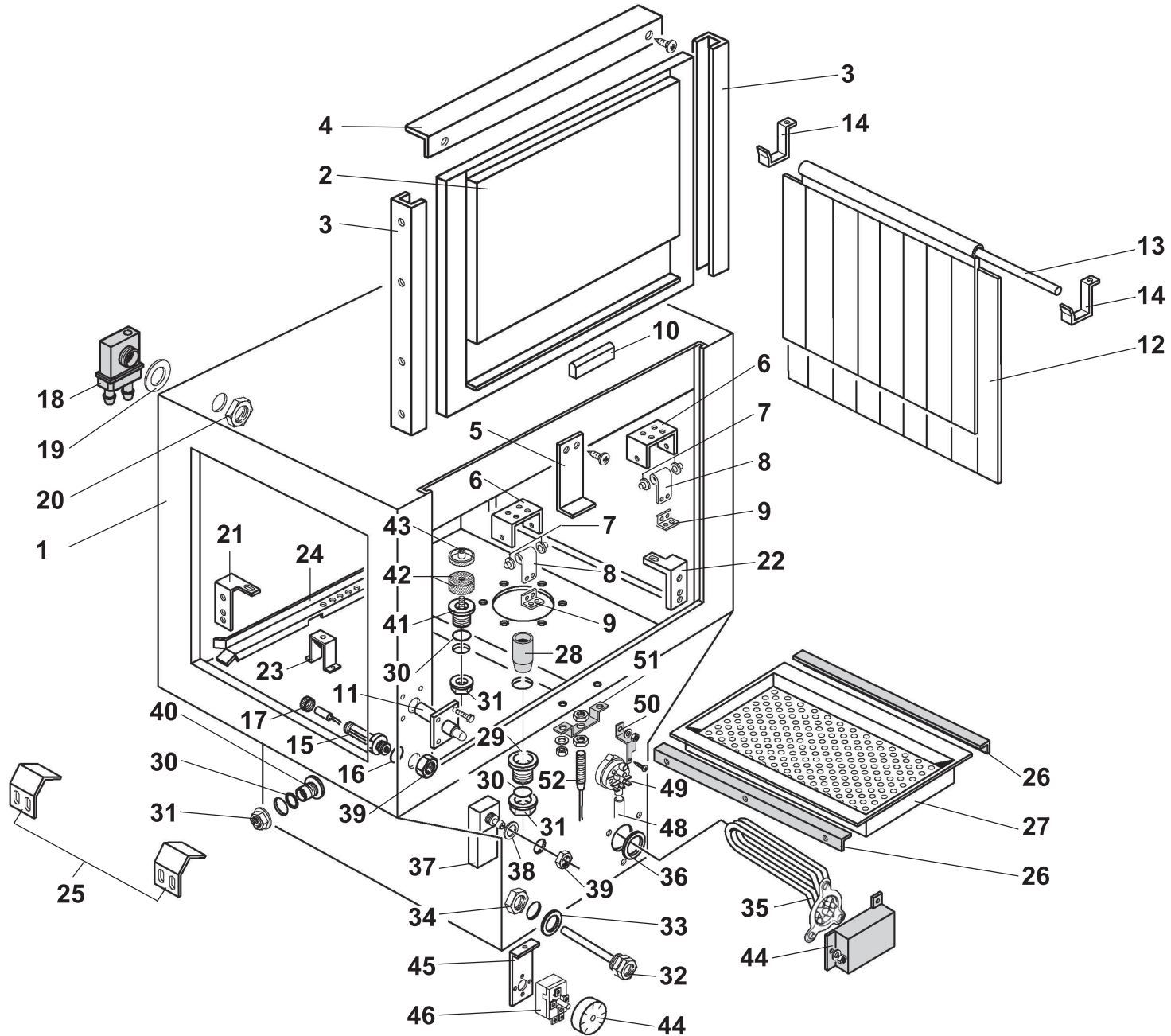
TS2400DX - TS3700DX - TSA3700DX

TS4600DX - TSA4600DX

DOPPIO RISCIAQUO ED.2000

TAV. 18

Pos	COD.	COD.	Q.TÀ	DESCRIZIONE	DENOMINATION	DESCRIPTION	BEZEICHNUNG	DESCRIPCIÓN
1	TR 0624		1	CAPOTE DOPPIO RISC. DX	CAPOTE	HOOD	GEHÄUSE	CAPOT DOBLE ENJUAGUE DER.
2	TR 2098		1	PORTA	PORTE	DOOR	TÜR	PUERTA
3	TR 1079		2	GUIDA SCORRIM. PORTA	RAIL	GUIDE	FÜHRUNG	GUIA DESLIZAMIENTO PUERTA
4	TR 2002		1	PARASPRUZZI	GARDE-JETS	SPRAY-GUARD	SPRITZBLECH	SALPICADERO
5	TR 2185		1	FERMO PORTA	ARRET DE PORTE	SPRING LOCK	FEST TÜR	TOPE PUERTA
6	TR 1008		2	SQUADR. FISSAGGIO MOLLA	EQUERRE POUR RESSORT	SPRING SUPPORT	FEDER TRÄGER	ANGULAR FIJADO RESORTE
7	TR 0999		4	SUPP. SCORRIMENTO PORTA	SUPPORT POUR RESSORT	SPRING SUPPORT	FEDER TRÄGER	SOP. DESLIZAMIENTO PUERTA
8	TR 1854		2	MOLLA PORTA	RESSORT	SPRING	FEDER	RESORTE PUERTA
9	TR 0607		2	AGGANCIO MOLLA	CROCHET RESSORT	SPRING HOOKING	KUPPLUNG FEDER	AGGANCIO MOLLA
10	TR 0220		1	CUSTODIA CON MAGNETE	PROTECTION MAGNETO	COVER MAGNET	MAGNETSCHUTZ	ESTUCHE CON IMÁN
11	TR 0620		1	BLOCCO SICUREZZA PORTA	BLOC DE SÉCURITÉ PORTE	SAFETY DOOR CATCH	BLOCK TÜR	BLOQUEO DE SEGUR. PUERTA
12	TR 0460		1	TENDINA	RIDEAU	CURTAIN	SPRITZSCHUTZ	CORTINILLA
13	TR 2034		1	ALBERO PER TENDINA	ARBRE RIDEAU	CURTAIN ROD	HALTERUNG	EJE PARA CORTINILLA
14	TR 2162		2	SQUADRETTA TENDINA	EQUERRE RIDEAU	BRACKET CURTAIN	WINKEL SPRITZSCHUTZ	ANGULAR CORTINILLA
15	TR 2206		1	MICRO PORTA PER ECONOM.	MICRO PORTE ECONOMISEUR	DOOR SWITCH ECONOMISER	MICRO SPARSCHALTER	MICRO PUERTA PARA ECON.
16	904330		1	O-RING	O-RING	O-RING	O-RING	O-RING
17	902100		1	DADO 3/8" GAS	ECROU	NUT	MUTTER	TUERCA
18	907460		1	VALVOLA ANTIRITORNO	VALVE	VALVE	VENTIL	VALVULA ANTIREGRESO
19	903290		1	GUARNIZIONE	JOINT	GASKET	DICHTUNG	GUARNICIÓN
20	TR 0138		1	GHIERA PG 21	VIROLE	LOCK NUT	NUT MUTTER	ABRAZADERA
21	TR 0645		2	SUPP. GUIDA CESTELLISX	SUPPORT COULISSE	SUPPORT GUIDE	FÜHRUNG HALTERUNG	SOP. GUIA CANASTRO IZQUIERDA
22	TR 0644		2	SUPP. GUIDA CESTELLIDX	SUPPORT COULISSE	SUPPORT GUIDE	FÜHRUNG HALTERUNG	SOP. GUIA CANASTO DERECHO
23	TR 2205		2	SUPPORTO GUIDA CESTELLI	SUPPORT COULISSE	SUPPORT GUIDE	FÜHRUNG HALTERUNG	SOPORTE GUIA CANASTO
24	TR 0644		1	GUIDA CESTELLIDX	COULISSE PANIER DROITE	RIGHT BASKET GUIDE	RECHTE KORBUFÜHRUNG	GUIA CANASTO DERECHO
24	TR 0645		1	GUIDA CESTELLISX	COULISSE PANIER GAUCHE	LEFT BASKET GUIDE	LINKE KORBUFÜHRUNG	GUIA CANASTO DERECHO
25	TR 2163		2	SQUADR. USCITA CESTELLI	EQUERRE SORTIE PANIER	BRACKET UNLOADING TRACK	AUSLAUF WINKEL KORBUF.	ANGULAR SALIDA CANASTO



LAVASTOVIGLIE A TRAINO

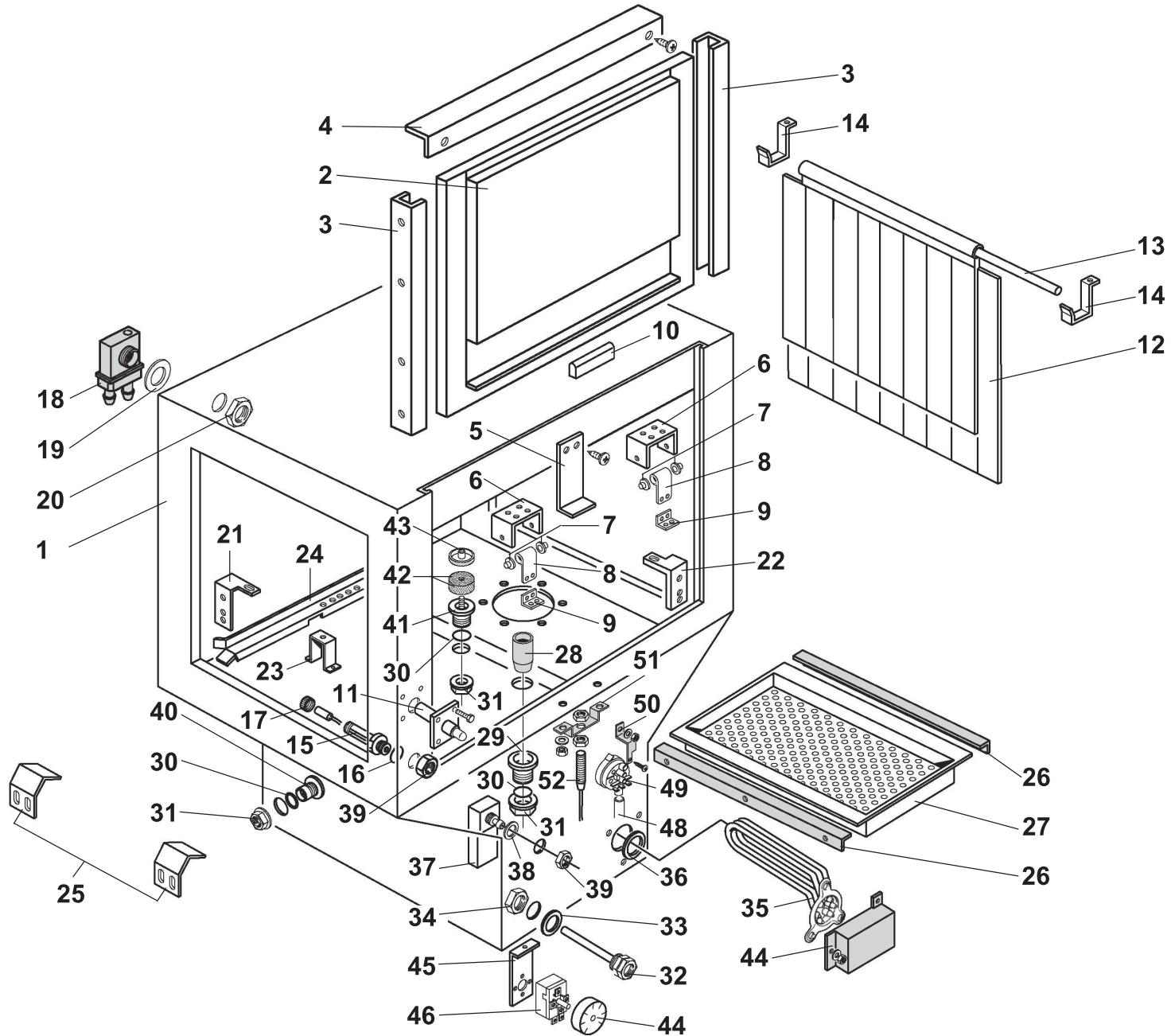
TS2400DX - TS3700DX - TSA3700DX

TS4600DX - TSA4600DX

DOPPIO RISCIAQUO ED.2000

TAV. 18

Pos	COD.	COD.	Q.TÀ	DESCRIZIONE	DENOMINATION	DESCRIPTION	BEZEICHNUNG	DESCRIPCIÓN
26	TR 2202		1	GUIDA FILTRO DX	COULISSE FILTRE DROITE	RIGHT FILTER GUIDE	RECHTE FILTER FÜHRUNG	GUIA DERECHA FILTRO
26	TR 2203		1	GUIDA FILTRO SX	COULISSE FILTRE GAUCHE	LEFT FILTER GUIDE	LINKE FILTER FÜHRUNG	GUIA IZQUIERDA FILTRO
27	TR 2017		1	FILTRO SUPERFICIE	FILTRE	FILTER	FILTER	FILTRO EN SUPERFICIE
28	TR 2204		1	TROPPOPIENO	NIVEAU	OVER FLOW	UBERLAUFROHR	DEMASIADO LLENO
29	TR 1234		1	RACCORDO 1" ¼	RACCORD	PIPE FITTING	ABLAUFANSCHLUSS	EMPALME
30	904380		3	O-RING	O-RING	O-RING	O-RING	O-RING
31	902080		3	GHIERA 1" ¼	VIROLE	LOCK NUT	NUT MUTTER	ABRAZADERA
32	905191		1	PORTABULBO	SIÈGE DE BULBE	SEATING BULB	KUGELSITZ	PORTABULBO
33	903250		1	GUARNIZIONE	JOINT	GASKET	DICHTUNG	GUARNICIÓN
34	902110		1	GHIERA ½"	VIROLE	LOCK NUT	NUT MUTTER	ABRAZADERA
35	905560		1	RESISTENZA 4500 W	RESISTANCE	HEATING ELEMENT	HEIZKÖRPER	RESISTENCIA
36	907981		1	O-RING	O-RING	O-RING	O-RING	O-RING
37	907252		1	TRAPPOLA ARIA	RESERVOIR AIR	AIR TRAP	LUFTFALLE	TRAMPA DEL AIRE
38	903260		1	GUARNIZIONE	JOINT	GASKET	DICHTUNG	GUARNICIÓN
39	902100		2	GHIERA 3/8"	VIROLE	LOCK NUT	NUT MUTTER	ABRAZADERA
40	905450		1	RACCORDO 1" ¼	RACCORD	PIPE FITTING	ABLAUFANSCHLUSS	EMPALME
41	905380		1	RACCORDO ASPIRAZIONE	RACCORD	PIPE FITTING	ABLAUFANSCHLUSS	EMPALME DE ASPIRACIÓN
42	902580		1	FILTRO VASCA	FILTRE	FILTER	FILTER	FILTRO TINA
43	902850		1	GHIERA FILTRO	VIROLE	LOCK NUT	NUT MUTTER	ABRAZADERA DEL FILTRO
44	TR 1099		1	COPRIRESISTENZA	PROTECTION RESISTANCE	HEATING COVER	HEIZKÖRPER SCHUTZ	CUBRERESISTENCIA
45	TR 2144		1	SQUADRETTA TERMOSTATO	EQUERRE THERMOSTAT	THERMOSTAT BRACKET	WINKEL THERMOSTAT	ANGULAR TERMÓSTATO
46	907100		1	TERMOSTATO	THERMOSTAT	THERMOSTAT	THERMOSTAT	TERMÓSTATO
47	903982		1	MANOPOLA	BOUTON	KNOB	KNOFF	EMPUÑADURA
48	907272		1	TUBO PRESSOSTATO	TUYAU PRESSOSTAT	PRESSURE SWITCH PIPE	SCHLAUCH	TUBO PRESÓSTATO
49	905270		1	PRESSOSTATO	PRESSOSTAT	PRESSURE SWITCH	DRUCHWAECHTER	PROSÓSTATO
50	906399		1	SQUADRETTA PRESSOSTATO	EQUERRE PRESSOSTAT	PRESSURE SWITCH BRACKET	WINKEL DRUCHWAECHTER	ANGULAR PROSÓSTATO
51	TR 1071		1	SQUADRETTA REED	EQUERRE REED	REED BRACKET	WINKEL REED	ANGULAR REED
52	TR 0309		1	REED MAGNETICO	REED	REED	REED	REED MAGNÉTICO



LAVASTOVIGLIE A TRAINO

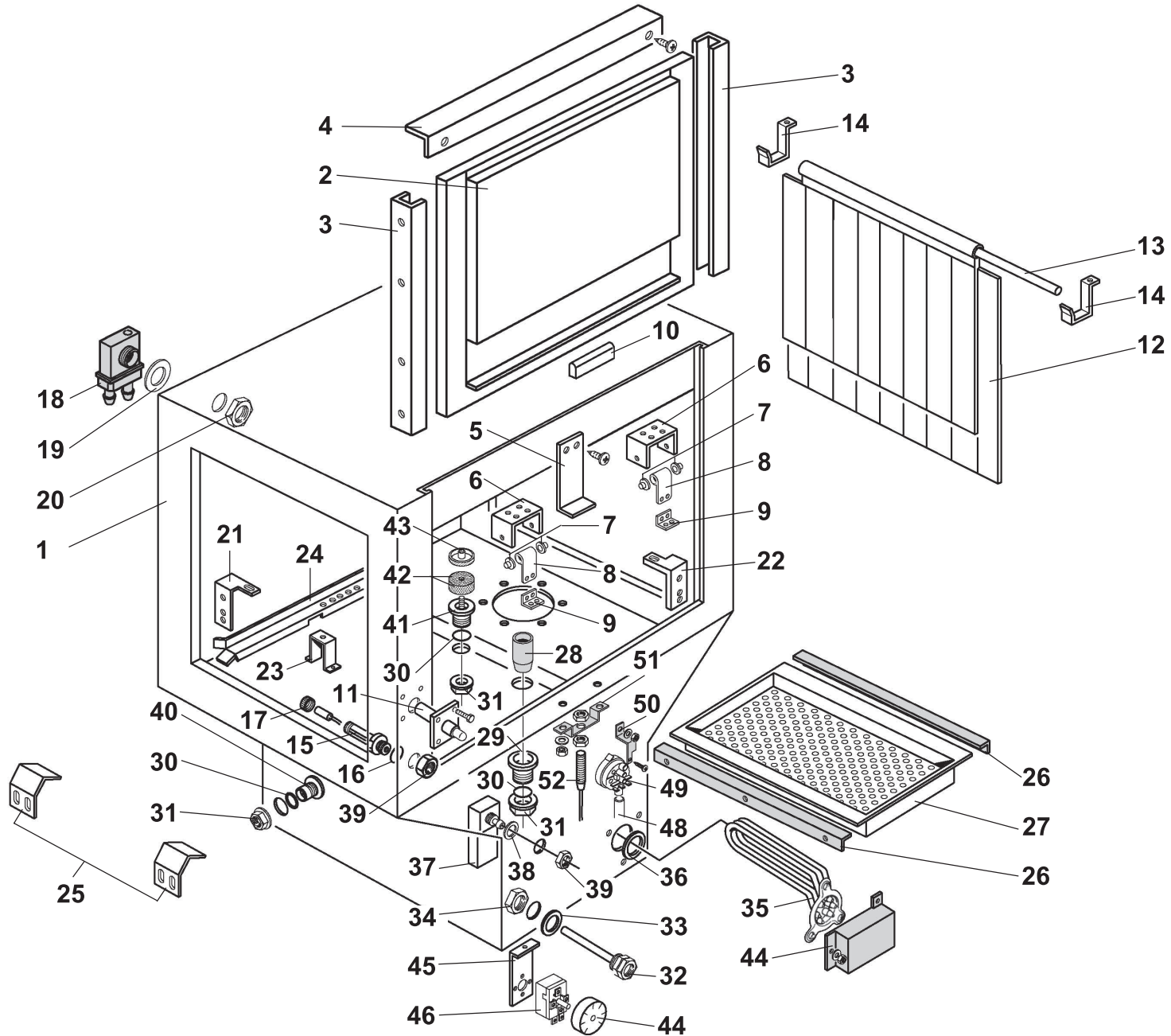
TS2400SX - TS3700SX - TSA3700SX

TS4600SX - TSA4600SX

DOPPIO RISCIAQUO ED.2000

TAV. 19

Pos	COD.	COD.	Q.TÀ	DESCRIZIONE	DENOMINATION	DESCRIPTION	BEZEICHNUNG	DESCRIPCIÓN
1	TR 0625		1	CAPOTE DOPPIO RISC. SX	CAPOTE	HOOD	GEHÄUSE	CAPOT DOBLE ENJUAGUE IZQUIER.
2	TR 2098		1	PORTA	PORTE	DOOR	TÜR	PUERTA
3	TR 1079		2	GUIDA SCORRIM. PORTA	RAIL	GUIDE	FÜHRUNG	GUIA DESLIZAMIENTO PUERTA
4	TR 2002		1	PARASPRUZZI	GARDE-JETS	SPRAY-GUARD	SPRITZBLECH	SALPICADERO
5	TR 2185		1	FERMO PORTA	ARRET DE PORTE	SPRING LOCK	FEST TÜR	TOPE PUERTA
6	TR 1008		2	SQUADR. FISSAGGIO MOLLA	EQUERRE POUR RESSORT	SPRING SUPPORT	FEDER TRÄGER	ANGULAR FIJADO RESORTE
7	TR 0999		4	SUPP. SCORRIMENTO PORTA	SUPPORT POUR RESSORT	SPRING SUPPORT	FEDER TRÄGER	SOP. DESLIZAMIENTO PUERTA
8	TR 1854		2	MOLLA PORTA	RESSORT	SPRING	FEDER	RESORTE PUERTA
9	TR 0607		2	AGGANCIO MOLLA	CROCHET RESSORT	SPRING HOOKING	KUPPLUNG FEDER	AGGANCIO MOLLA
10	TR 0220		1	CUSTODIA CON MAGNETE	PROTECTION MAGNETO	COVER MAGNET	MAGNETSCHUTZ	ESTUCHE CON IMÁN
11	TR 0620		1	BLOCCO SICUREZZA PORTA	BLOC DE SÉCURITÉ PORTE	SAFETY DOOR CATCH	BLOCK TÜR	BLOQUEO DE SEGUR. PUERTA
12	TR 0460		1	TENDINA	RIDEAU	CURTAIN	SPRITZSCHUTZ	CORTINILLA
13	TR 2034		1	ALBERO PER TENDINA	ARBRE RIDEAU	CURTAIN ROD	HALTERUNG	EJE PARA CORTINILLA
14	TR 2162		2	SQUADRETTA TENDINA	EQUERRE RIDEAU	BRACKET CURTAIN	WINKEL SPRITZSCHUTZ	ANGULAR CORTINILLA
15	TR 2206		1	MICRO PORTA PER ECONOM.	MICRO PORTE ECONOMISEUR	DOOR SWITCH ECONOMISER	MICRO SPARSCHALTER	MICRO PUERTA PARA ECON.
16	904330		1	O-RING	O-RING	O-RING	O-RING	O-RING
17	902100		1	DADO 3/8" GAS	ECROU	NUT	MUTTER	TUERCA
18	907460		1	VALVOLA ANTIRITORNO	VALVE	VALVE	VENTIL	VALVULA ANTIREGRESO
19	903290		1	GUARNIZIONE	JOINT	GASKET	DICHTUNG	GUARNICIÓN
20	TR 0138		1	GHIERA PG 21	VIROLE	LOCK NUT	NUT MUTTER	ABRAZADERA
21	TR 0645		2	SUPP. GUIDA CESTELLISX	SUPPORT COULISSE	SUPPORT GUIDE	FÜHRUNG HALTERUNG	SOP. GUIDA CANASTRO IZQUIERDA
22	TR 0644		2	SUPP. GUIDA CESTELLIDX	SUPPORT COULISSE	SUPPORT GUIDE	FÜHRUNG HALTERUNG	SOP. GUIDA CANASTO DERECHO
23	TR 2205		2	SUPPORTO GUIDA CESTELLI	SUPPORT COULISSE	SUPPORT GUIDE	FÜHRUNG HALTERUNG	SOPORTE GUIDA CANASTO
24	TR 0644		1	GUIDA CESTELLIDX	COULISSE PANIER DROITE	RIGHT BASKET GUIDE	RECHTE KORBUFÜHRUNG	GUIDA CANASTO DERECHO
24	TR 0645		1	GUIDA CESTELLISX	COULISSE PANIER GAUCHE	LEFT BASKET GUIDE	LINKE KORBUFÜHRUNG	GUIDA CANASTO DERECHO
25	TR 2163		2	SQUADR. USCITA CESTELLI	EQUERRE SORTIE PANIER	BRACKET UNLOADING TRACK	AUSLAUF WINKEL KORBUF.	ANGULAR SALIDA CANASTO



LAVASTOVIGLIE A TRAINO

TS2400SX - TS3700SX - TSA3700SX

TS4600SX - TSA4600SX

DOPPIO RISCIAQUO ED.2000

TAV. 19

Pos	COD.	COD.	Q.TÀ	DESCRIZIONE	DENOMINATION	DESCRIPTION	BEZEICHNUNG	DESCRIPCIÓN
26	TR 2202		1	GUIDA FILTRO DX	COULISSE FILTRE DROITE	RIGHT FILTER GUIDE	RECHTE FILTER FÜHRUNG	GUIA DERECHA FILTRO
26	TR 2203		1	GUIDA FILTRO SX	COULISSE FILTRE GAUCHE	LEFT FILTER GUIDE	LINKE FILTER FÜHRUNG	GUIA IZQUIERDA FILTRO
27	TR 2017		1	FILTRO SUPERFICIE	FILTRE	FILTER	FILTER	FILTRO EN SUPERFICIE
28	TR 2204		1	TROPPOPIENO	NIVEAU	OVER FLOW	UBERLAUFROHR	DEMASIADO LLENO
29	TR 1234		1	RACCORDO 1" ¼	RACCORD	PIPE FITTING	ABLAUFANSCHLUSS	EMPALME
30	904380		3	O-RING	O-RING	O-RING	O-RING	O-RING
31	902080		3	GHIERA 1" ¼	VIROLE	LOCK NUT	NUT MUTTER	ABRAZADERA
32	905191		1	PORTABULBO	SIÈGE DE BULBE	SEATING BULB	KUGELSITZ	PORTABULBO
33	903250		1	GUARNIZIONE	JOINT	GASKET	DICHTUNG	GUARNICIÓN
34	902110		1	GHIERA ½"	VIROLE	LOCK NUT	NUT MUTTER	ABRAZADERA
35	905560		1	RESISTENZA 4500 W	RESISTANCE	HEATING ELEMENT	HEIZKÖRPER	RESISTENCIA
36	907981		1	O-RING	O-RING	O-RING	O-RING	O-RING
37	907252		1	TRAPPOLA ARIA	RESERVOIR AIR	AIR TRAP	LUFFFALLE	TRAMPA DEL AIRE
38	903260		1	GUARNIZIONE	JOINT	GASKET	DICHTUNG	GUARNICIÓN
39	902100		2	GHIERA 3/8"	VIROLE	LOCK NUT	NUT MUTTER	ABRAZADERA
40	905450		1	RACCORDO 1" ¼	RACCORD	PIPE FITTING	ABLAUFANSCHLUSS	EMPALME
41	905380		1	RACCORDO ASPIRAZIONE	RACCORD	PIPE FITTING	ABLAUFANSCHLUSS	EMPALME DE ASPIRACIÓN
42	902580		1	FILTRO VASCA	FILTRE	FILTER	FILTER	FILTRO TINA
43	902850		1	GHIERA FILTRO	VIROLE	LOCK NUT	NUT MUTTER	ABRAZADERA DEL FILTRO
44	TR 1099		1	COPRIRESISTENZA	PROTECTION RESISTANCE	HEATING COVER	HEIZKÖRPER SCHUTZ	CUBRERESISTENCIA
45	TR 2144		1	SQUADRETTA TERMOSTATO	EQUERRE THERMOSTAT	THERMOSTAT BRACKET	WINKEL THERMOSTAT	ANGULAR TERMÓSTATO
46	907100		1	TERMOSTATO	THERMOSTAT	THERMOSTAT	THERMOSTAT	TERMÓSTATO
47	903982		1	MANOPOLA	BOUTON	KNOB	KNOFF	EMPUÑADURA
48	907272		1	TUBO PRESSOSTATO	TUYAU PRESSOSTAT	PRESSURE SWITCH PIPE	SCHLAUCH	TUBO PRESÓSTATO
49	905270		1	PRESSOSTATO	PRESSOSTAT	PRESSURE SWITCH	DRUCHWAECHTER	PROSÓSTATO
50	906399		1	SQUADRETTA PRESSOSTATO	EQUERRE PRESSOSTAT	PRESSURE SWITCH BRACKET	WINKEL DRUCHWAECHTER	ANGULAR PROSÓSTATO
51	TR 1071		1	SQUADRETTA REED	EQUERRE REED	REED BRACKET	WINKEL REED	ANGULAR REED
52	TR 0309		1	REED MAGNETICO	REED	REED	REED	REED MAGNÉTICO

LAVASTOVIGLIE A TRAINO

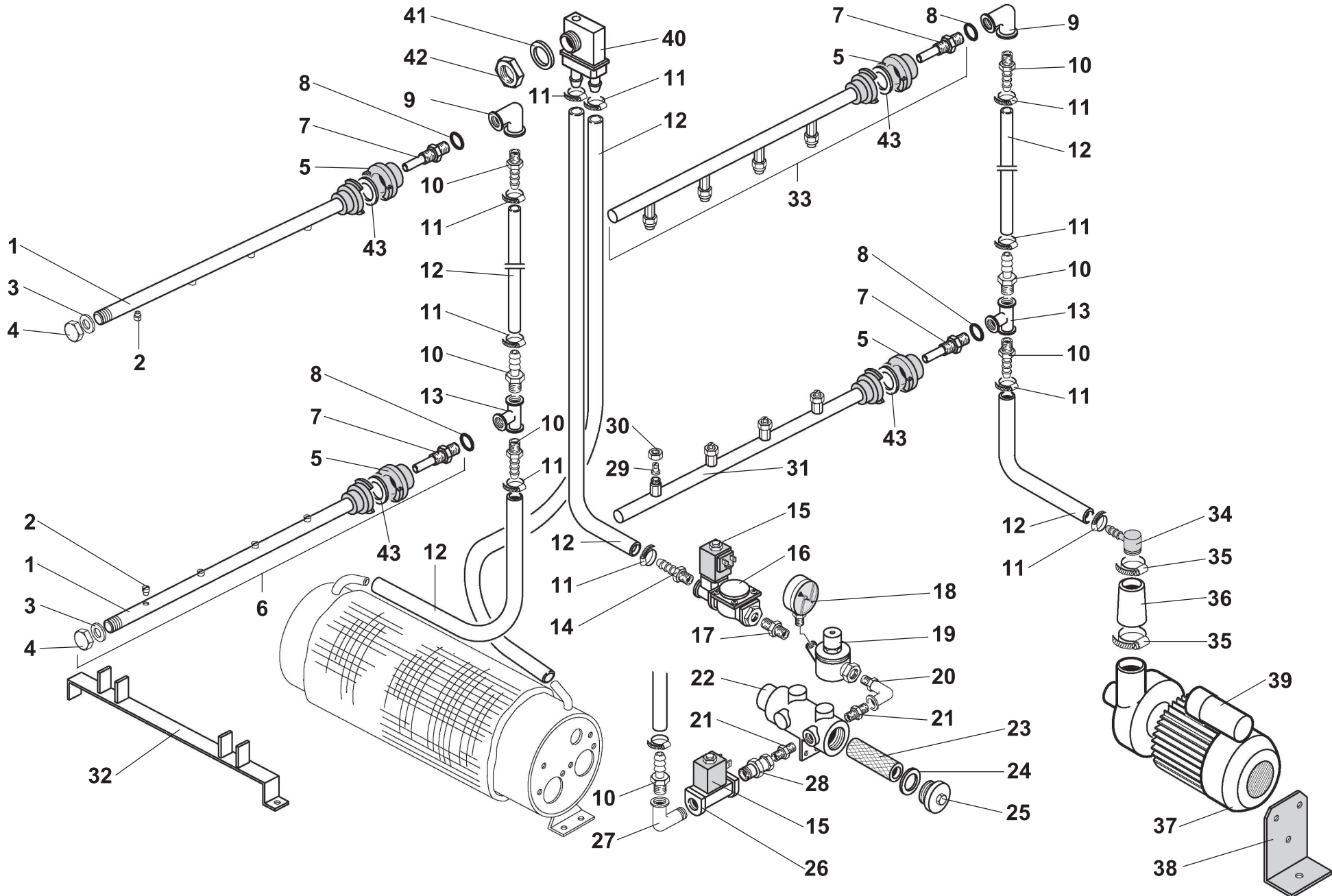
TS2400 - TS3700 - TSA3700

TS4600 - TSA4600

DOPPIO RISCIACQUO

ED. 2000

TAV. 20



LAVASTOVIGLIE A TRAINO

TS2400 - TS3700 - TSA3700

TS4600 - TSA4600

DOPPIO RISCIAQUO

ED.2000

TAV. 20

Pos	COD.	COD.	Q.TÀ	DESCRIZIONE	DENOMINATION	DESCRIPTION	BEZEICHNUNG	DESCRIPCIÓN
1	TR 0010		2	BRACCIO RISCIAQUO	BRAS DE RINÇAGE	RINSE ARM	NACHSPÜLARM	BRAZO ENJUAGUE
2	TR 0003		8	GETTO RISCIAQUO	JET DE RINÇAGE	RINSE JET	SPÜLDUSE	CHORRO ENJUAGUE
3	903351		2	GUARNIZIONE	JOINT	GASKET	DICHTUNG	GUARNICIÓN
4	TR 3227		2	TAPPO	BOUCHON	PLUG	PROPFEN	TAPÓN
5	908096		4	RACCORDO RAPIDO	ATTELAGE	QUICK COUPLER	SCHNELLVERSCHLUSS	EMPALME RAPIDO
6	TR 0011		2	BRACCIO RISCIAQUO COMP.	BRAS DE RINÇAGE COMP.	COMPLETE RINSE ARM	KOMPL. NACHSPÜLARM	BRAZO ENJUAGUE COMP.
7	TR 2350		4	GUIDA BRACCIO RISCIAQUO	COULISSE POUR BRAS	GUIDE FOR ARM	EINFÜHRUNG	GUIA DEL BRAZO ENJUAGUE
8	904992		4	GUARNIZIONE	JOINT	GASKET	DICHTUNG	GUARNICIÓN
9	TR 2437		2	RACCORDO GOMITO 1/2"	RACCORD	PIPE FITTING	ANSCHLUSSE	EMPALME CODO
10	TR 2375		7	RACCORDO PORTAGOMMA 1/2"	RACCORD	PIPE FITTING	ANSCHLUSSE	EMPALME GOME PARA PUERTA
11	902450		10	FASCETTA 15x24	COLLIER	CLAMP	SCHELLE	ABRAZADERA
12	907350		6	TUBO GOMMA 12x22	TUYAU EN CAOUTCHOUC	RUBBER PIPE	GUMMISCHLAUCH	TUBO GOMA
13	TR 2404		2	RACCORDO 3 VIE 1/2"	RACCORD	PIPE FITTING	ANSCHLUSSE	EMPALME 3 DIRECCIONES
14	907890		1	RACCORDO PORTAGOMMA 3/4"	RACCORD	PIPE FITTING	ANSCHLUSSE	EMPALME GOME PARA PUERTA
15	TR 0020		2	BOBINA 24V	BOBINE	COIL	SPULE	BOBINA
16	TR 0090		1	ELETTROVALVOLA 3/4"	ELECTROVANNE	ELECTRIC VALVE	ELEKTROVENTIL	VALVULA ELECTRICA
17	TR 2347		1	NIPPLO RIDOTTO 1/2"-3/4"	NIPPLES	NIPPLE	NIPPLE	NIPLE REDUCCIÓN
18	TR 0399		1	MANOMETRO RIDUTTORE	MANOMETRO REDUCTEUR	PRESSURE GANGE	DRUCK MESSER	MANÓMETRO REDUCTOR
19	TR 0371		1	RIDUTTORE DI PRESSIONE	REDUCTEUR	PRESSURE REDUCER	DRUCK MINDERER	REDUCTOR DE PRECIÓN
20	TR 2333		1	BOCCHETTONE CURVO 1/2"	GOULOTTE	PIPE UNION	STUTZEN	RAMPA DE DESAGÜE CURVO
21	TR 2322		2	NIPPLO 1/2"	NIPPLES	NIPPLE	NIPPLE	NIPLE
22	TR 0126		1	FILTRO 2 VIE	FILTRE	FILTER	FILTER	FILTRO 2 DIRECCIONES

LAVASTOVIGLIE A TRAINO

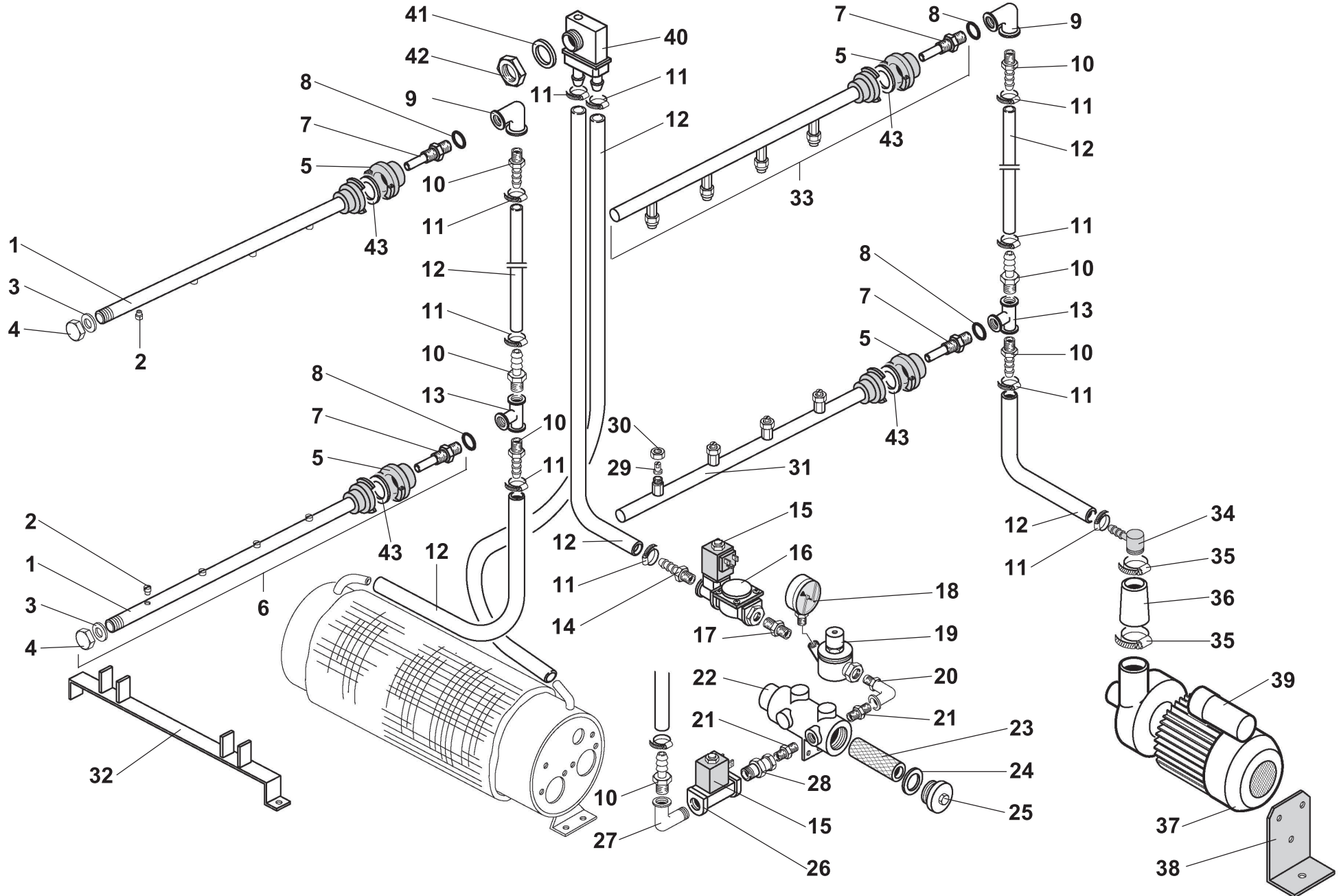
TS2400 - TS3700 - TSA3700

TS4600 - TSA4600

DOPPIO RISCIACQUO

ED. 2000

TAV. 20



LAVASTOVIGLIE A TRAINO

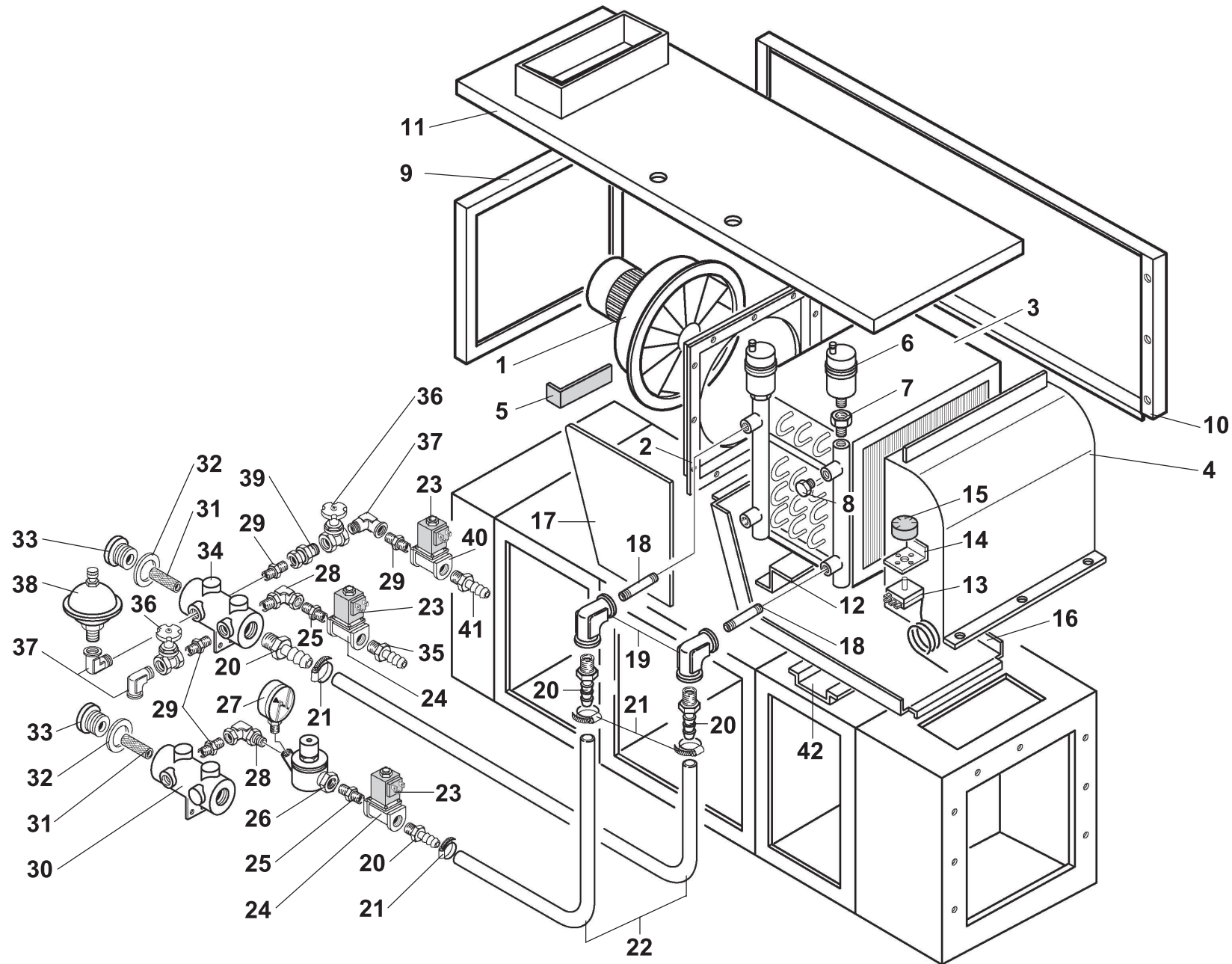
TS2400 - TS3700 - TSA3700
TS4600 - TSA4600

DOPPIO RISCIACQUO

ED.2000

TAV. 20

Pos	COD.	COD.	Q.TÀ	DESCRIZIONE	DENOMINATION	DESCRIPTION	BEZEICHNUNG	DESCRIPCIÓN
23	TR 0123		1	FILTRO A CARTUCCIA	FILTRE	FILTER	FILTER	FILTRO CON CARTUCHO
24	903406		1	GUARNIZIONE	JOINT	GASKET	DICHTUNG	GUARNICIÓN
25	TR 2382		1	TAPPO	BOUCHON	PLUG	PROPFEN	TAPÓN
26	TR 0091		1	ELETTROVALVOLA ½"	ELECTROVANNE	ELECTRIC VALVE	ELEKTROVENTIL	VALVULA ELECTRICA
27	TR 2420		1	RACCORDO GOMITO ½"	RACCORD	PIPE FITTING	ANSCHLUSSE	EMPALME CODO
28	TR 2335		1	BOCCHETTONE DIRITTO ½"	GOULOTTE	PIPE UNION	STUTZEN	RAMPA DE DESAGÜE RECTO
29	TR 0179		8	GETTO DOPPIO RISCIACQUO	JET DOUBLE RINÇAGE	DOUBLE RINSE JET	DOPPELSPULDUSE	CHORRO DOBLE ENJUAGUE
30	TR 0180		8	GHIERA 3/8"	VIROLE	LOCK NUT	NUT MUTTER	ABRAZADERA
31	TR 0182		2	BRACCIO DOPPIO RISCIACQUO	BRAS DOUBLE RINÇAGE	DOUBLE RINSE JET	DOPPELSPULARM	BRAZO DOLE ENJUAGUE
32	TR 0605		1	SQUADRETTA SOST. BRACCI	EQUERRE POUR BRAS	BRACKET ARMS	WINKEL ARM	ANGULAR SOSTEN BRAZO
33	TR 0167		2	BRACCIO COMPLETO	BRAS COMPLETE	COMPLETE ARM	KOMPLETTE ARM	BRAZO COMPLETO
34	TR 0097		1	RACC. POMPA DOPPIO RISC.	RACCORD	PIPE FITTING	ANSCHLUSSE	UNIÓN BOMBA DOBLE ENJUAGUE
35	902460		2	FASCETTA 26÷38	CLAMP	CLAMP	SCHELLE	ABRAZADERA
36	TR 0706		1	MANICOTTO MANDATA	MANCHON DE REFOULEM.	OUTLET ELBOW	AUSLAMUFFE	PALANCA DE MANDO
37	902240		1	POMPA 0,5 HP	POMPE	PUMP	PUMPE	BOMBA
38	906348		1	SUPPORTO POMPA	SUPPORT POMPE	PUMP SUPPORT	PUMPE HALTERUNG	SOPORTE BOMBA
39	901740		1	CONDENSATORE 12µF	CONDENSATEUR	CONDENSER	KONDENSATOR	CONDENSADOR
40	907460		1	VALVOLA ANTIRITORNO	VALVE	VALVE	VENTIL	VALVULA ANTIREGRESO
41	903290		1	GUARNIZIONE	JOINT	GASKET	DICHTUNG	GUARNICIÓN
42	TR 0138		1	GHIERA PG 21	VIROLE	LOCK NUT	NUT MUTTER	ABRAZADERA
43	90321		4	GUARNIZIONE	JOINT	GASKET	DICHTUNG	GUARNICIÓN



Pos	COD.	COD.	Q.TÀ	DESCRIZIONE	DENOMINATION	DESCRIPTION	BEZEICHNUNG	DESCRIPCIÓN
1	TR 0510		1	VENTILATORE 0,37 Kw	VENTILATEUR	FAN MOTOR	VENTILATOR	VENTILADOR
2	TR 0488		1	SUPPORTO VENTILATORE	SUPPORT VENTILATEUR	FAN MOTOR SUPPORT	VENTILATOR TRÄGER	SOPORTE VENTILADOR
3	TR 2174		1	BATTERIA R.C.	BATTERIE	BATTERY	BATTERIE	BATERÍA
4	TR 2176		1	CONVOGLIATORE	CONVOYER	CHANNEL	ABLEITBLECH	TRANSPORTADOR
5	TR 2179		1	SQUADRETTA PER PARATIA	EQUERRE PAROI	BULKHEAD BRACKET	LUFTLEITBLECH WINKEL	ANGULAR PARA TAPIQUE
6	TR 2371		2	VALVOLA DISFIATO 3/8"	VANNE	VALVE	LUFTERVENTIL	VALVULA DESCOMPRESIÓN
7	TR 2451		2	PROLUNGA 3/8"-1/4"	PROLUNGEMENT	EXTENSION CORD	LEITUNGSTRECKER	PROLONGACIÓN
8	906415		2	TAPPO 3/4"	BOUCHON	PLUG	PROPFEN	TAPÓN
9	TR 2208		2	SPALLA CASSONE DX-SX	SUPPORT CAISSON	HOUSING SUPPORT	VERKLEIDUNG HALTER.	APOYO CAJÓN DERECH.-IZQUIER.
10	TR 2209		1	SPALLA CASSONE ANT.	SUPPORT CAISSON	HOUSING SUPPORT	VERKLEIDUNG HALTER.	APOYO CAJÓN ANTERIOR
10	TR 2210		1	SPALLA CASSONE POST.	SUPPORT CAISSON	HOUSING SUPPORT	VERKLEIDUNG HALTER.	APOYO CAJÓN POSTERIOR
11	TR 2211		1	COPERCHIO	COUVERCLE	COVER	DECKEL	TAPA
12	TR 2180		1	SQUADRETTA SUPP. BATTERIA	EQUERRE BATTERIE	BATTERY BRACKET	BATTERIE TRÄGER	ANGULAR SOPORTE BATERÍA
13	907100		1	TERMOSTATO	THERMOSTAT	THERMOSTAT	THERMOSTAT	TERMÓSTATO
14	TR 2144		1	SQUADRETTA TERMOSTATO	EQUERRE THERMOSTAT	THERMOSTAT BRACKET	THERMOSTAT WINKEL	ANGULAR TERMÓSTATO
15	903982		1	MANOPOLA	BOUTON	KNOB	KNOFF	EMPUÑADURA
16	TR 2212		1	SCIVOLO	GLISSIERE	TANK FILLER	HINTERESLEITBLECH	DESLIZADOR
17	TR 2213		1	PARATIA ANTERIORE	PAROI	BULKHEAD	LUFTLEITBLECH	TABIQUE ANTERIOR
17	TR 2214		1	PARATIA POSTERIORE	PAROI	BULKHEAD	LUFTLEITBLECH	TABIQUE POSTERIOR
18	TR 2308		2	TUBO ZINCATO 3/4"-3/4"	TUYAU	PIPE	RORH	TUBO CINCADO
19	TR 2437		2	RACCORDO GOMITO 3/4"-3/4"	RACCORD	PIPE FITTING	ANSCHLUSSE	EMPALME CODO
20	TR 2216		4	RACCORDO PORTAGOMMA 3/4"	RACCORD	PIPE FITTING	ANSCHLUSSE	EMPALME GOME PARA PUERTA

