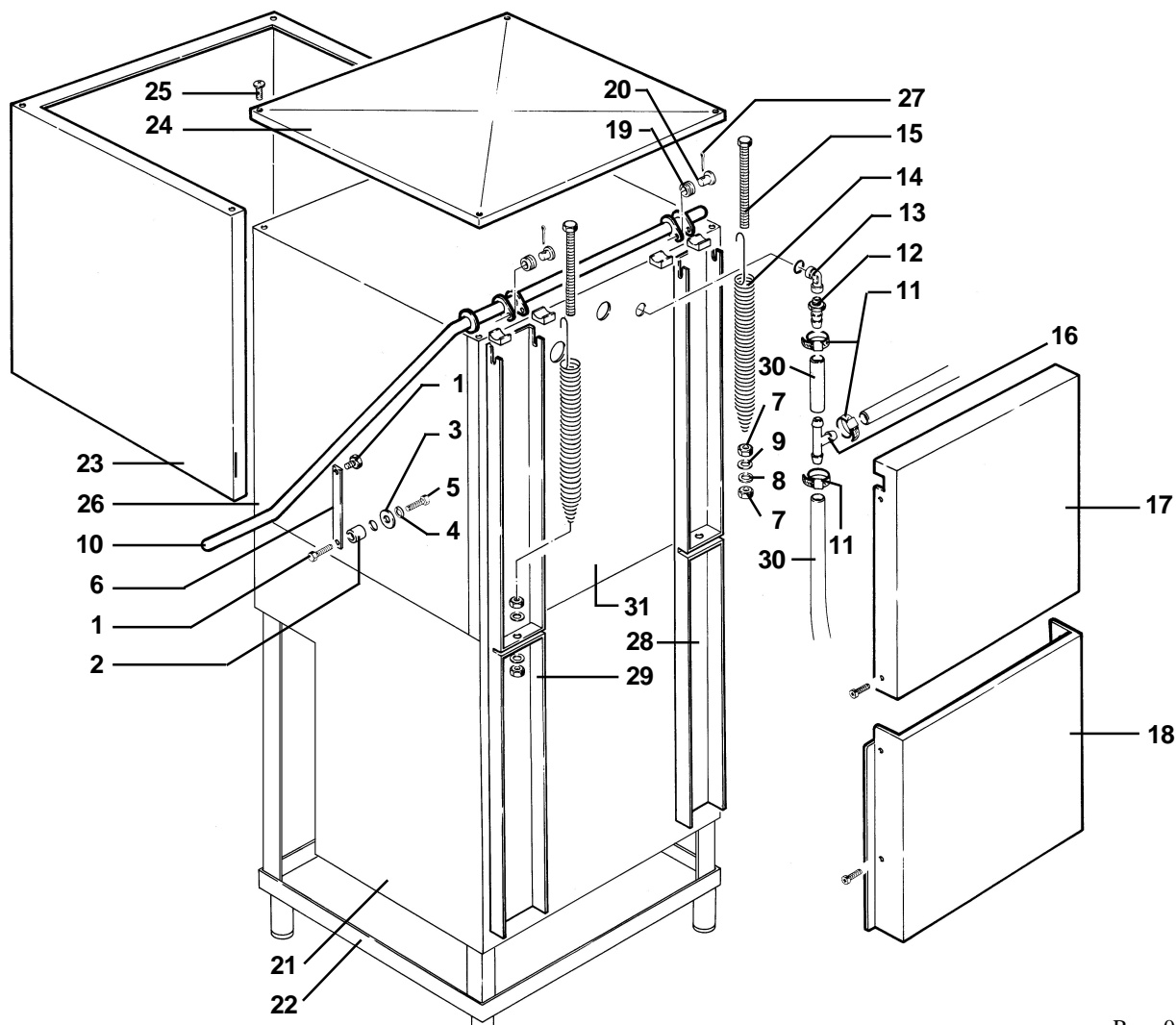


Rev. 0 03/99

Pos	COD.	DESCRIZIONE	DENOMINATION	DESCRIPTION	BEZEICHNUNG
1	902309	POMPA 1,5 HP	POMPE	PUMP	PUMPE
2	905275	PRESSOSTATO	PRESSOSTAT	PRESSURE SWITCH	DRUCK WAECHTER
3	TR0299	PIEDINO REGOLABILE	PIED REGABLE	RUBBER LEG	EINSTELLBARER SOCKEL
4	TR0220	MAGNETE	MAGNETO	MAGNET	MAGNET
5	904018	COP. BRACCIO LAVAGGIO	COUVERT. BRAS LAVAGE	WASHING ARM COVER	SPÜLARM DECKEL
6	907272	TUBO PRESSOSTATO	TUYAU PRESSOSTAT	PRESSURE SWITCH PIPE	SCHLAUCH
7	TR0298	PORTABULBO	SIEGE DE BULBE	SEATING BULB	KUGEL SITZ
8	902441	FASCETTA 38÷ 50	COLLIER	CLAMP	SHELLE
9	907450	TUBO SCARICO	TUYAU DE DECHARGE	PIPE FITTING FOR OUTLET	ABLAUFANSCHLUSS
10	902061	GHIERA ½" GAS	VIROLE	LOCK NUT	NUT-MUTTER
11	904380	O-RING	O-RING	O-RING	O-RING
12	902080	GHIERA 1" ¼ GAS	VIROLE	LOCK NUT	NUT-MUTTER
13	902425	FASCETTA ELASTICA	COLLIER	CLAMP	SHELLE
14	905450	RACCORDO SCARICO	RACCORD DE DECHARGE	PIPE FITTING FOR OUTLET	ABLAUFANSCHLUSS
15	907329	TROPPO PIENO	NIVEAU	OVER FLOW	VERBELAUF
16	TR0268	TRAPPOLA ARIA	RESERVOIR AIR	AIR TRAP	LUFT FALLE
17	903761	MANICOTTO MANDATA	MANCHON DE REFOULEM.	OUTLET ELBOW	AUSLASSMUFFE
18	903690	MANICOTTO ASPIRAZIONE	MANCHON D'ASPIRATION	INTAKE PIPE FITTING	ANSAUGANSCHLUSSE
19	904513	PANNELLO COMANDI	PANNEAU COMAND	CONTROL PANEL	SCHALTAFEL
20	906342	SUPPORTO FILTRI POST.	SUPPORT DU FILTRE POS.	BACK FILTER SUPPORT	HINTERE FILTER TRÄGER
21	905570	RESISTENZA 6000W	RESISTANCE	HEATING ELEMENT	HEIZKORPER
22	907981	O-RING	O-RING	O-RING	O-RING
23	906406	TELAIO PORTACESTELLI	CHASSIS PORTE PANIER	TRACK	FÜHRUNG
24	901671	GUIDA PER CESTELLI	COULISSE PANIER	BASKET GUIDE	KORBUFUHRUNG
25	904583	PANNELLO FRONTALE	PANNEAU FRONTAL	FRONT PANEL	FRONT VERKLEIDUNG

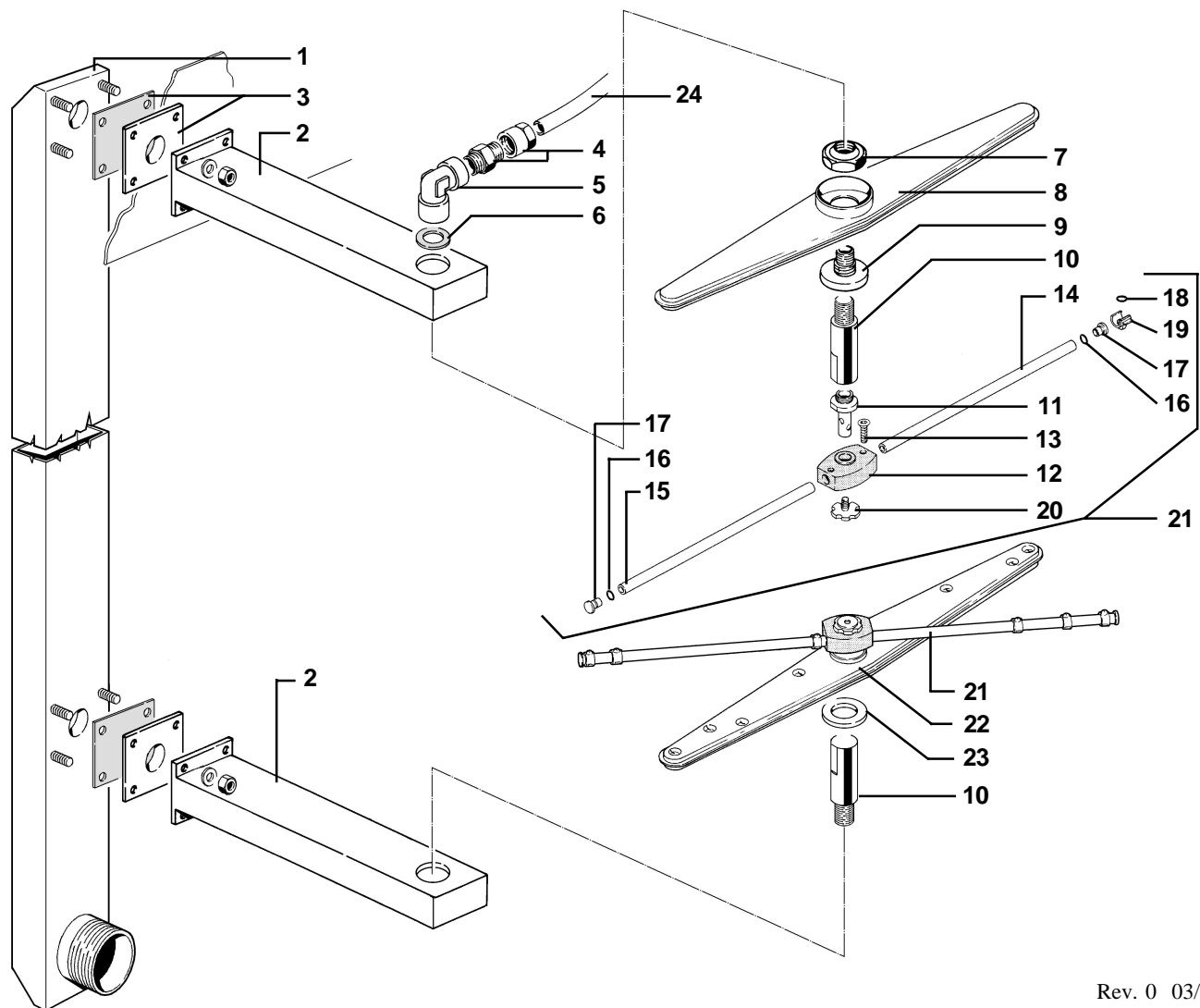




Rev. 0 03/99

Pos	COD.	DESCRIZIONE	DENOMINATION	DESCRIPTION	BEZEICHNUNG
1	904771	PERNO SNODO	PIVOT A GENOU	JOINT PIN	GELENKBOLZEN
2	900514	BUSSOLA PER SNODO	DOUILLE	BEARING	BUCHSE
3	906050	RONDELLA PIANA	RONDELLE	WASHER	UNTER LEGSCHEIBE
4	905940	RONDELLA GROWER Ø 8	RONDELLE	WASHER	UNTER LEGSCHEIBE
5	907820	VITE M8x12	VIS	SCREW	SCHRAUBE
6	904930	PIASTRINA	PLAQUE	PLATE	PLATTE
7	902022	DADO M10	ECROU	NUT	MUTTER
8	905941	RONDELLA GROWER Ø 10	RONDELLE	WASHER	UNTER LEGSCHEIBE
9	906055	RONDELLA PIANA Ø 10	RONDELLE	WASHER	UNTER LEGSCHEIBE
10	903900	MANIGLIONE	POIGNEE	HANDLE	HANDRIFF
11	902440	FASCETTA 13÷20	COLLIER	CLAMP	SHELLE
12	907942	RACC. PORTA GOMMA	RACCORD	PIPE FITTING	ANSCHLUSS
13	908120	RACCORDO A GOMITO	RACCORD	PIPE FITTING	ANSCHLUSS
14	904133	MOLLA SOLLEV. CAPOT	RESSORT	SPRING	FEDER
15	907222	TIRANTE MOLLA	TIRANT	CONNECTING ROD	ZUGSTAB
16	905381	RACCORDO 3 VIE	RACCORD	PIPE FITTING	ANSCHLUSS
17	904662	PANNELLO POST. SUP.	PANNEAU POST. SUPER.	UPPER BACK PANEL	OBERER HINTERE VERKL.
18	904663	PANNELLO POST. INF.	PANNEAU POST. INFER.	LOWER BACK PANEL	UNTERE HINTERE VERKL.
19	906066	ROTELLA SUPP. MOLLA	GALET PIVOTANT	SMALL WHELL	RADCHEN
20	904796	PERNO ROTELLA	PIVOT D'ACCROCHAGE	HOOING PIN	KUPPLUNGSBOLZEN
21	901951	VASCA	CUVE	TANK	TANK
22	900301	BASAMENTO	SOCLE	BASE	UNTERSTRUKTUR
23	904019	COPERTURA CAPOT	COUVERCLE CAPOT	CAPOT COVER	GEHASE DECKEL
24	904681	PANNELLO SUPERIORE	PANNEAU SUPERIEUR	UPPER SIDE PANEL	OBER VERKLEIDUNG
25	907785	VITE TCBL M6x11	VIS	SCREW	SCHRAUBE
26	900909	CAPOT	CAPOTE	HOOD	GEHASE
27	907653	COPIGLIA 2x30	COUPILLE	SPLIT PIN	SPLINT
28	908126	LONGHERONE DX	LONGERON	BACK STAY	LANGSTRAGER
29	908127	LONGHERONE SX	LONGERON	BACK STAY	LANGSTRAGER
30	907295	TUBO IN GOMMA	TUYAU EN CAOUTCHOUC	RUBBER PIPE	GUMMISCHLAUCH
31	908099	SCHIENALE	STRUCTURE POST.	BACK FRAME WORK	GEFÜGE





Rev. 0 03/99

Pos	COD.	DESCRIZIONE	DENOMINATION	DESCRIPTION	BEZEICHNUNG
1	901717	COLONNA LAVAGGIO	COLONNE DE LAVAGE	WASHING PIPE	SPÜLUNG SAÜLE
2	901718	BRACCIO LAVAGGIO	BRAS DE LAVAGE	WASH ARM	WASCHLAUFRAD
3	903381	GUARNIZIONE	JOINT	GASKET	DICHTUNG
4	908121	RACCORDO CON OGIVA	RACCORD	PIPE FITTING	ANSCHLUSSE
5	908120	RACCORDO A GOMITO	RACCORD	PIPE FITTING	ANSCHLUSSE
6	903351	GUARNIZIONE	JOINT	GASKET	DICHTUNG
7	902890	GHIERA	VIROLE	LOCK NUT	NUT-MUTTER
8	902960	GIRANTE LAVAGGIO	BRAS DE LAVAGE	WASH ARM	WASCHLAUFRAD
9	902891	MOZZO GIRANTE LAVAGG.	MOYEU	HUB	NABE
10	904750	PERNO LAVAGGIO SUP.	TOURILLON DE LAV. SUP.	UPPER WASH PIN	OBERER WASCHSTIFF
11	904760	PERNO RISCIAQUO	TOURILLON DE RINÇAGE	RINSE PIN	SPÜLSTIFF
12	904292	MOZZO GIRANTE RISC.	MOYEU	HUB	NABE
13	907651	VITE TPS M4x8	VIS	SCREW	SCHRAUBE
14	954806	BRACCIO RISCIAQUO DX	BRAS DE RINÇAGE DROITE	RIGHT RINSE ARM	RECHTE SPÜLLAUFRAD
15	954807	BRACCIO RISCIAQUO SX	BRAS DE RINÇAGE GAUCHE	LEFT RINSE ARM	LINKE SPÜLLAUFRAD
16	904321	O-RING	O-RING	O-RING	O-RING
17	906450	TAPPO BRACCIO RISC.	BOUCHON BRAS DE RINÇ.	PLUG FOR RINSE ARM	VERSCHLUSS SPÜLLAUFR.
18	904388	O-RING	O-RING	O-RING	O-RING
19	902816	GETTO RISCIAQUO	JET DE RINÇAGE	RINSING JET	SPÜLLDUSE
20	902880	GHIERA BLOCCAGGIO	FRETTE DE BLOCAGE	RING-NUT	KLEMMUTTER
21	903017	GIRANTE RISC. COMPL.	BRAS DE RINÇAGE COMPL.	COMPL. RINSE ARM	KOMPL. SPÜLLAUFRAD
22	902961	GIRANTE LAVAGG. COMPL.	BRAS DE LAVAGE COMPL.	COMPL. WASH ARM	KOMPL. SPÜLLARM
23	906001	RONDELLA	RONDELLE	WASHER	UNTERLEGSSCHEIBE
24	908888	TUBO Ø 10x8 FORAFLON	TUYAU	SWITCH PIPE	SCHLAUCH

