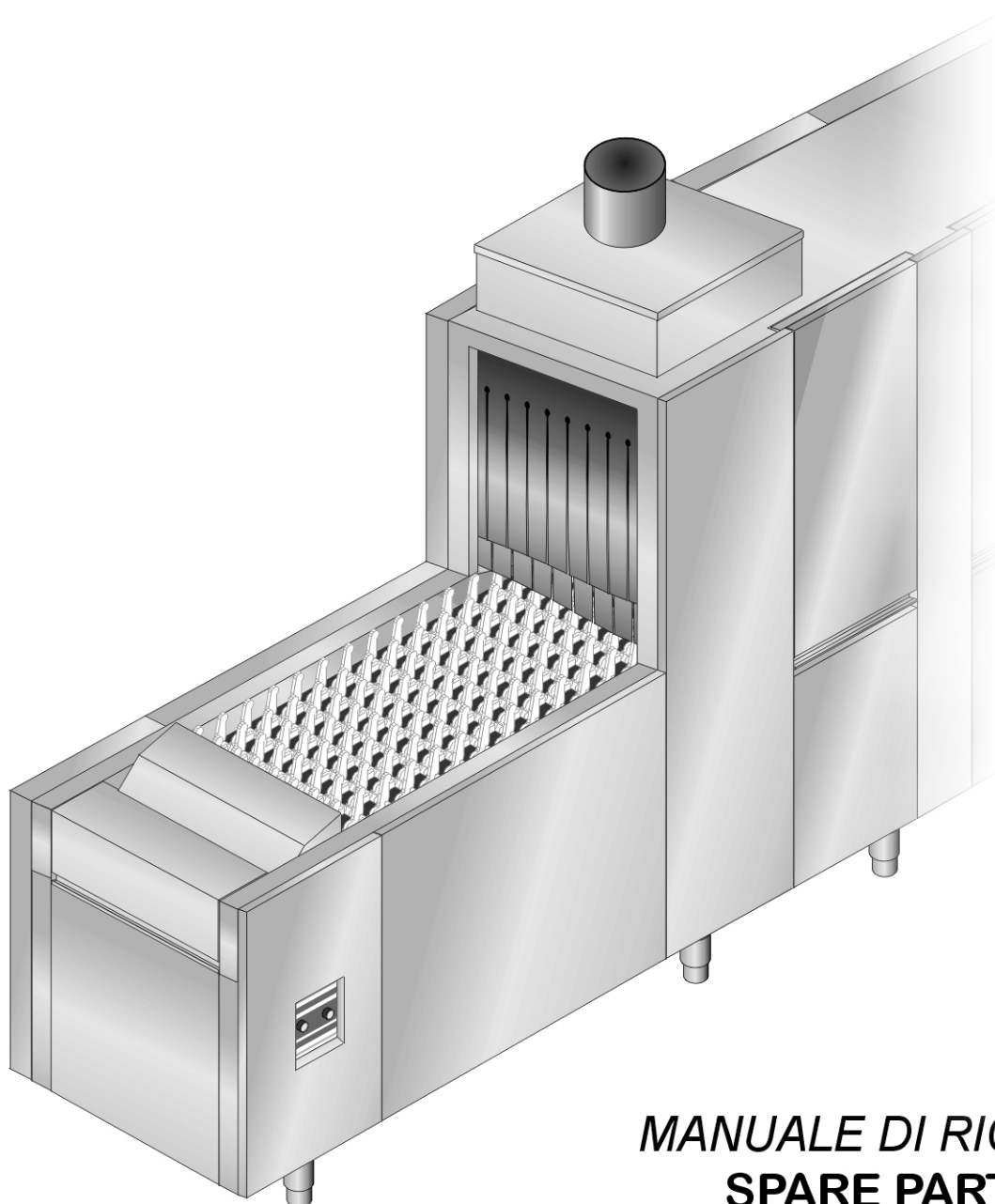
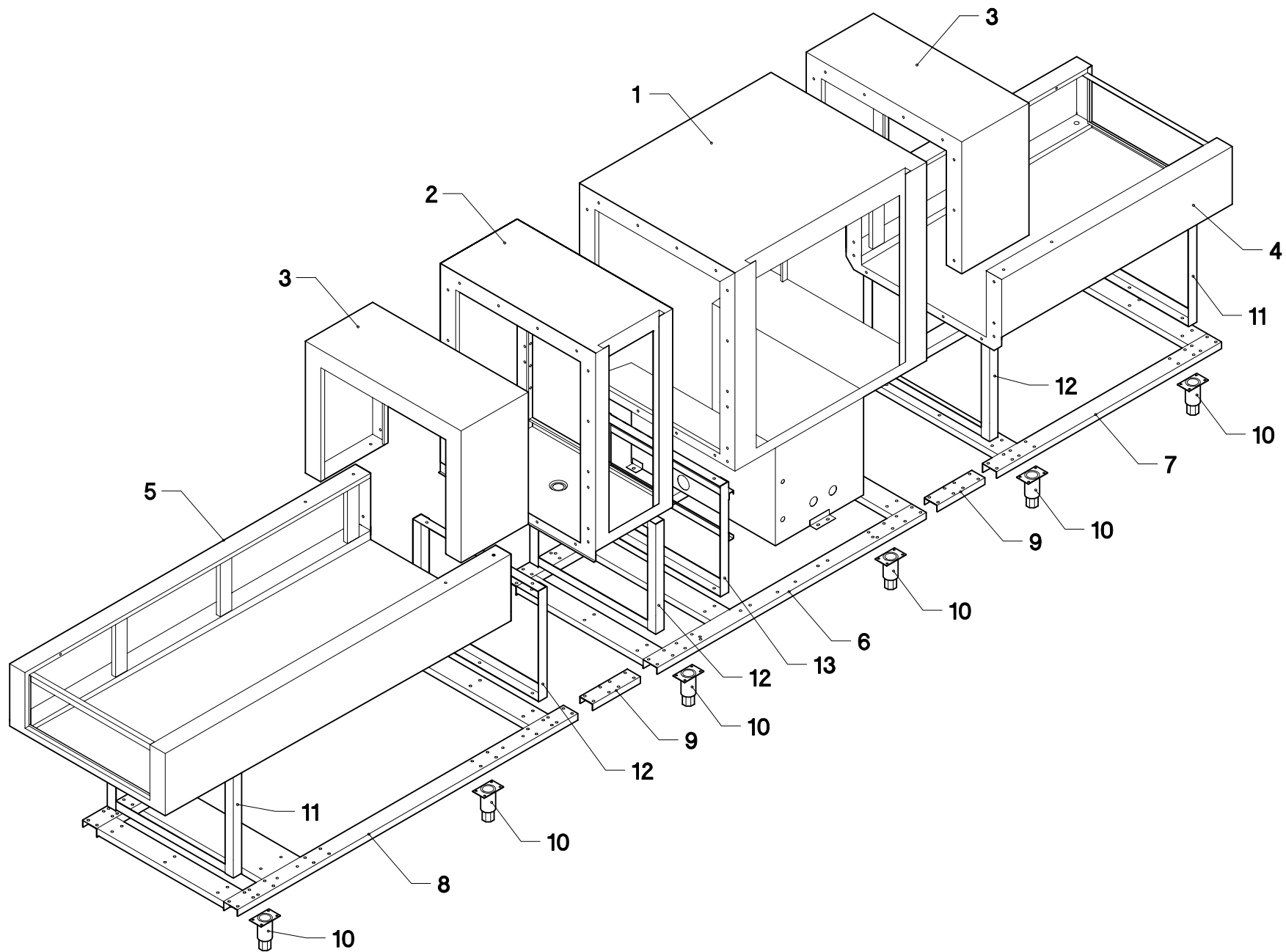


**LAVASTOVIGLIE A NASTRO**  
**FLIGHT DISHWASHING MACHINES**  
**LAVE-VAISSELLE A CONVOYEUR**  
**BANDAUTOMAT**  
**LAVAVAJILLAS A CINTA**

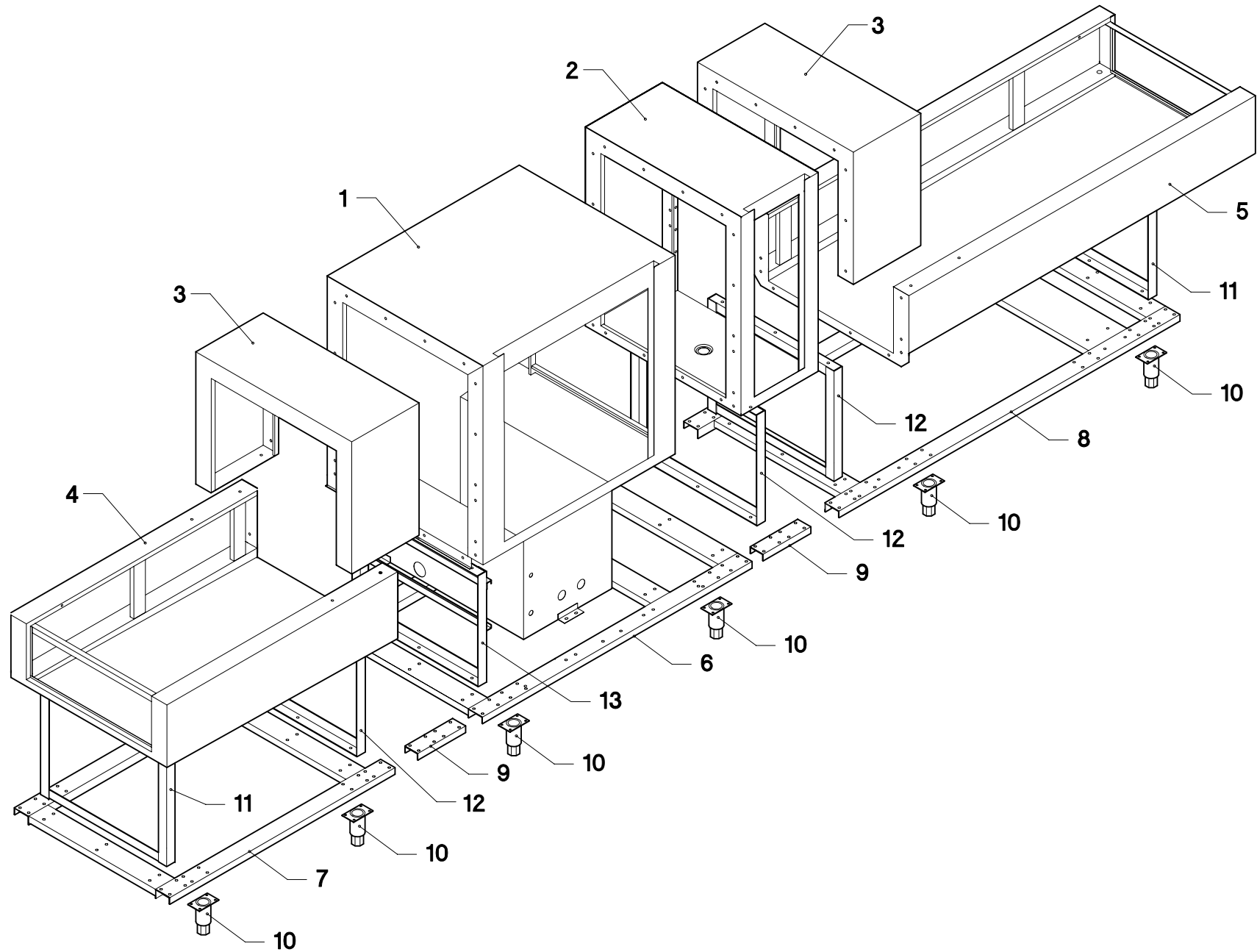


**N  
2  
5  
0  
0**

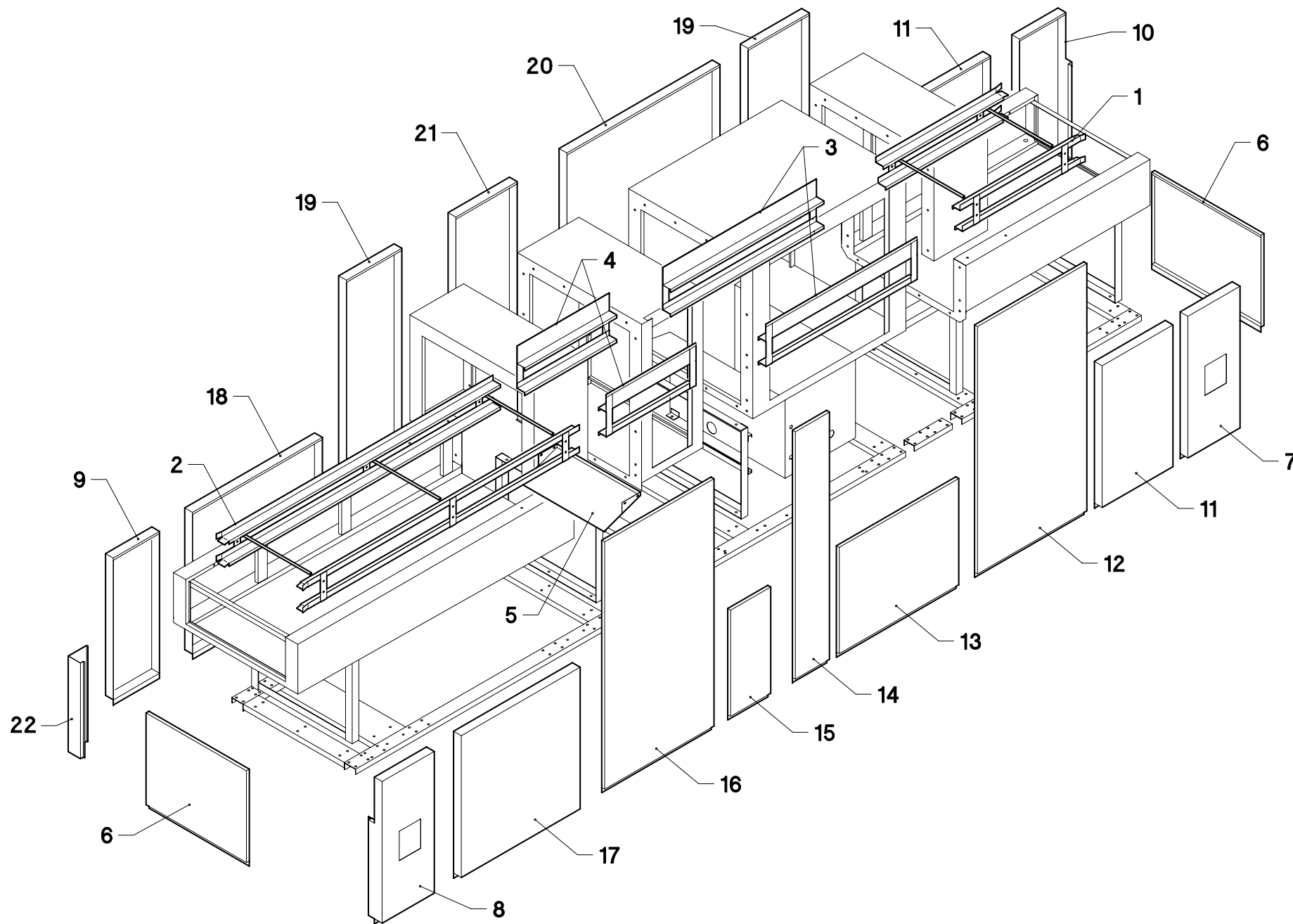
*MANUALE DI RICAMBI*  
**SPARE PARTS**  
*CATALOGUES PIÉCES*  
**ERSATZTEILEKATALOG**  
*CATÁLOGO DE REPUESTOS*



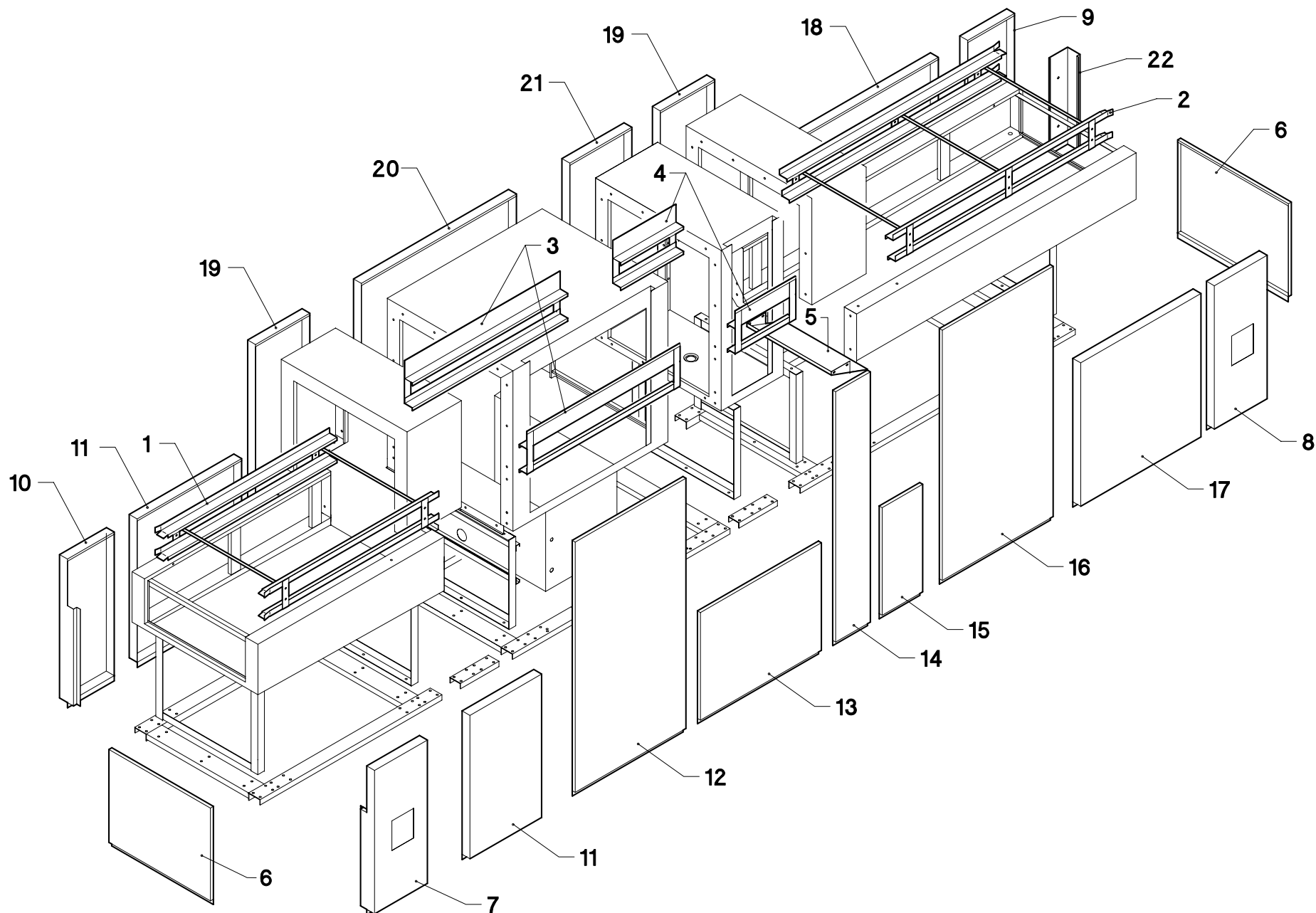






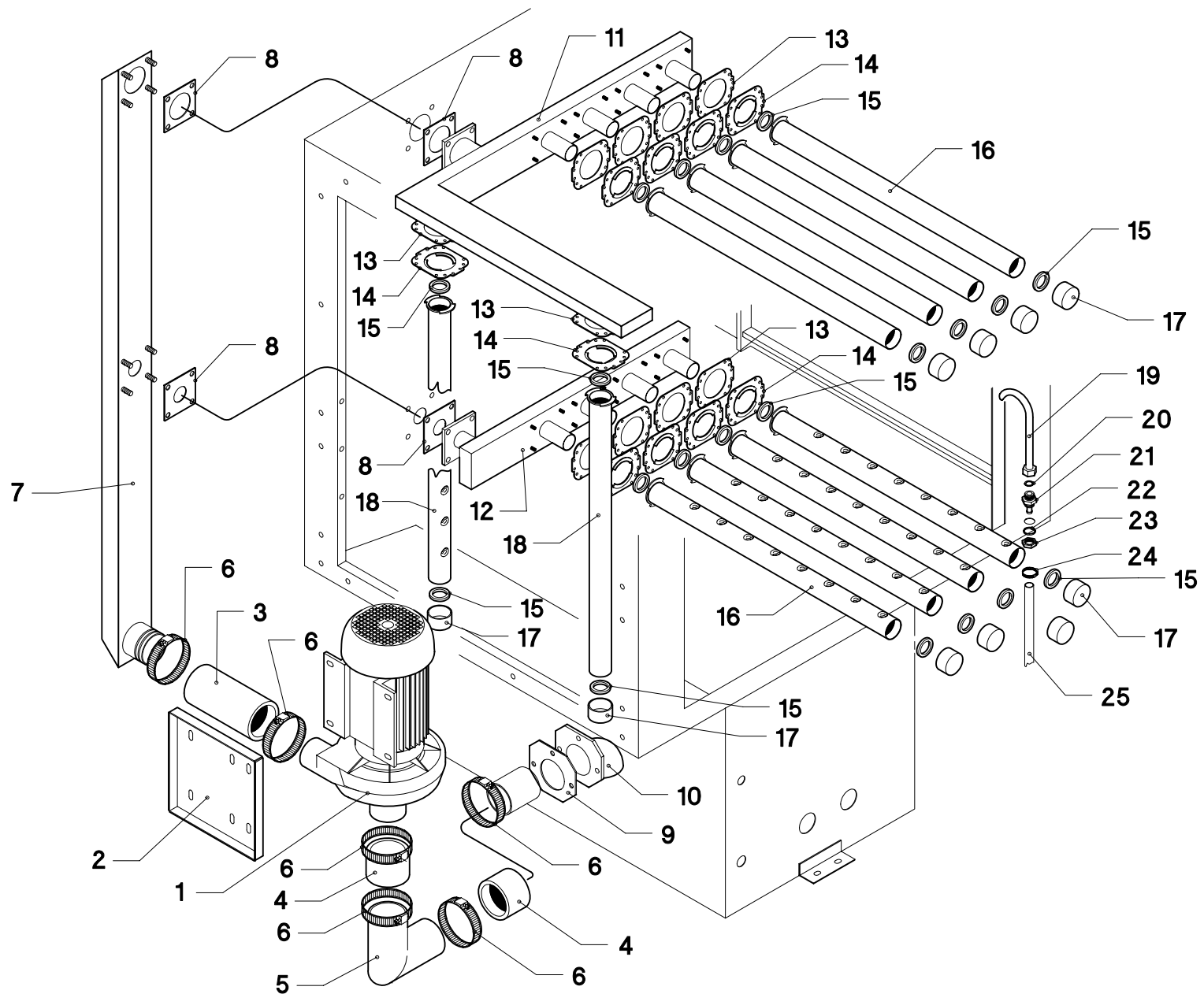




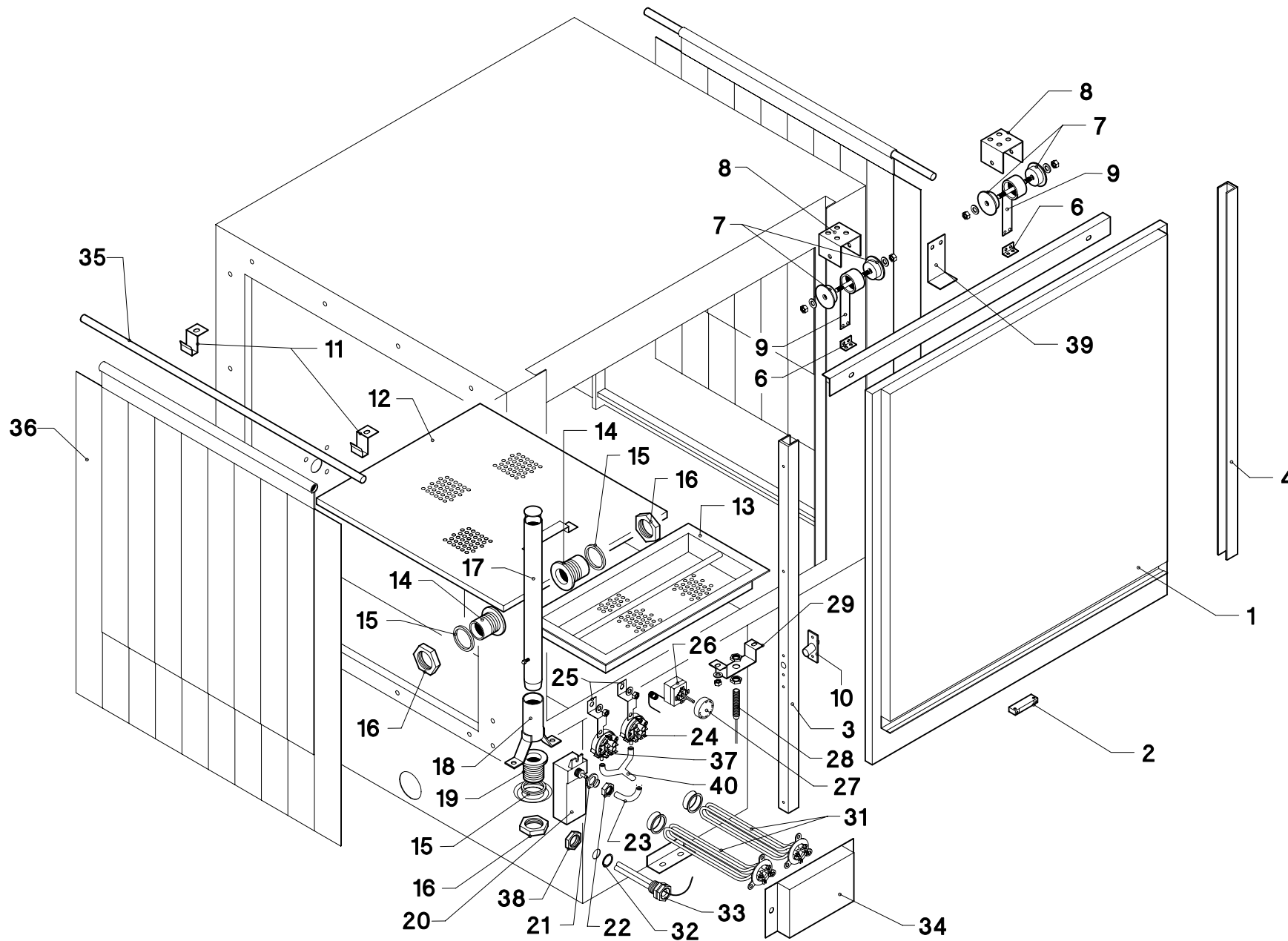






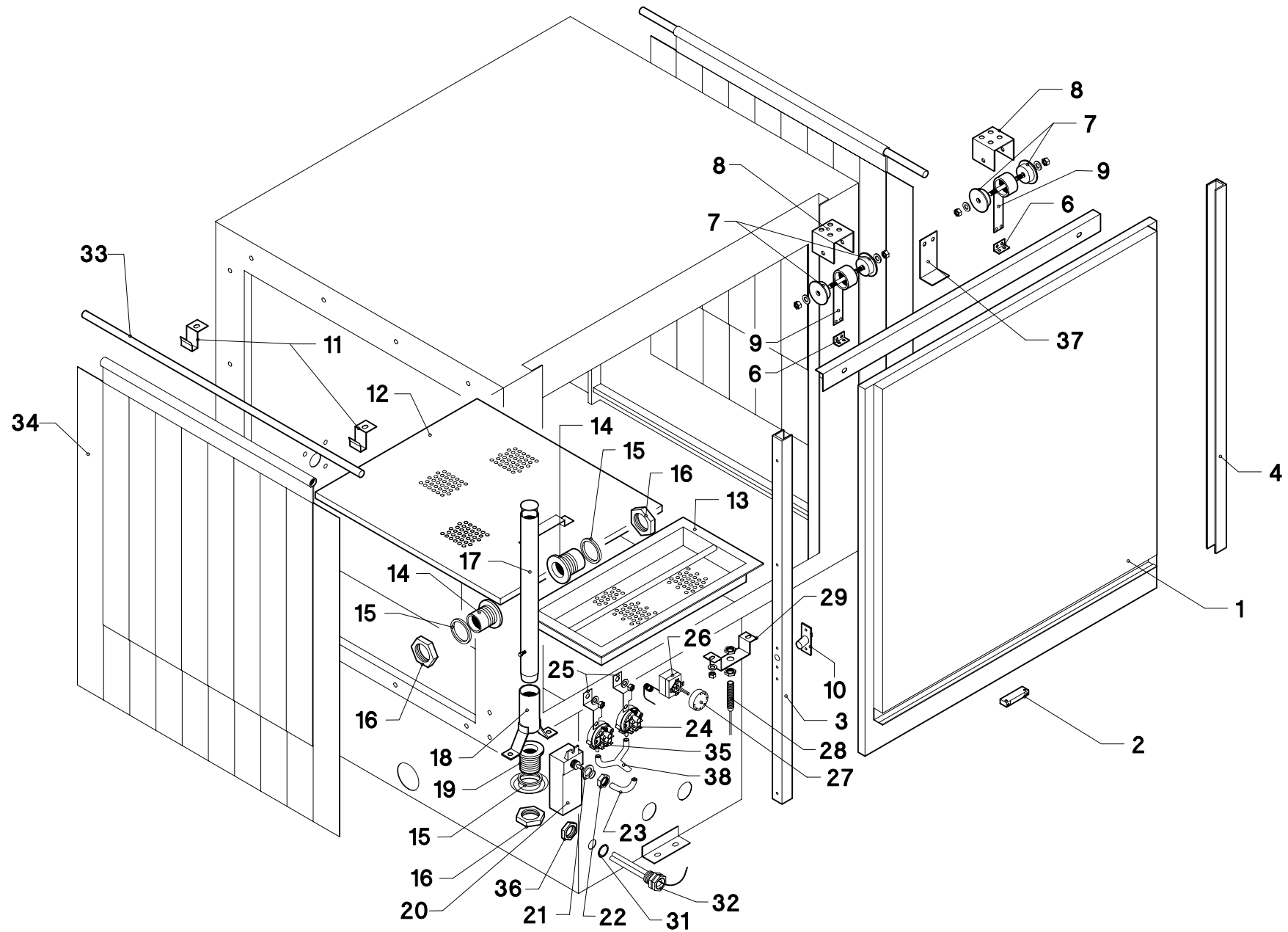






| Pos. | COD.   | COD. | Q.tà | DESCRIZIONE             | DENOMINATION          | DESCRIPTION             | BEZEICHNUNG          | DESCRIPCIÓN                |
|------|--------|------|------|-------------------------|-----------------------|-------------------------|----------------------|----------------------------|
| 1    | TR1008 |      | 1    | PORTA                   | PORTE                 | DOOR                    | TÜR                  | PUERTA                     |
| 2    | TR0220 |      | 1    | CUSTODIA CON MAGNETE    | PROTECTION MAGNETO    | COVER MAGNET            | MAGNETSCHUTZ         | ESTUCHE CON IMAN           |
| 3    | TR1102 |      | 1    | GUIDA SCORRIMENTO SX    | RAIL SX               | GUIDE SX                | FÜHRUNG SX           | GUIA DESLIZAMENTO SX       |
| 4    | TR1083 |      | 1    | GUIDA SCORRIMENTO DX    | RAIL DX               | GUIDE DX                | FÜHRUNG DX           | GUIA DESLIZAMENTO DX       |
| 5    | TR2005 |      | 1    | PARASPRUZZI             | GARDE-JETS            | SPRAY-GUARD             | SPRITZBLECH          | SALPICADERO                |
| 6    | TR0607 |      | 2    | AGGANCIO MOLLA          | CROCHET RESSORT       | SPRING HOOKING          | KUPPLUNGFEDER        | ENGANCHE RESORTE           |
| 7    | TR0999 |      | 4    | SUPP. SCORRIMENTO MOLLA | SUPPORT POUR RESSORT  | SPRING SUPPORT          | FEDER TRÄGER         | SOP. DESLIZAMIENTO RESORTE |
| 8    | TR2008 |      | 2    | SQUADR. FISSAGGIO MOLLA | EQUERRE POUR RESSORT  | SPRING SUPPORT          | FEDER TRÄGER         | ANGULAR FIJADORESORTE      |
| 9    | TR1856 |      | 2    | MOLLA PORTA LAVAGGIO    | RESSORT               | SPRING                  | FEDER                | RESORTE PUERTA LAV.        |
| 10   | TR0620 |      | 1    | BLOCCO SICUREZZA PORTA  | BLOC DE SÉCURITÉ      | SAFETY DOOR CATCH       | BLOCK TÜR            | BLOQUEO DE SEGUR. PUERTA   |
| 11   | TR2162 |      | 2    | SQUADRETTA TENDINA      | EQUERRE RIDEAU        | BRACKET CURTAIN         | WINKEL SPRITZSCHUTZ  | ANGULAR CORTINILLA         |
| 12   | TR2207 |      | 1    | FILTRO                  | FILTRE                | FILTRE                  | FILTER               | FILTRO                     |
| 13   | TR2209 |      | 1    | FILTRO                  | FILTRE                | FILTRE                  | FILTER               | FILTRO                     |
| 14   | 905450 |      | 2    | RACCORDO 1" ¼           | RACCORD               | PIPE FITTING            | ABLAUFANSCHLUSS      | EMPALME                    |
| 15   | 904380 |      | 3    | O-RING                  | O-RING                | O-RING                  | O-RING               | O-RING                     |
| 16   | 902080 |      | 3    | GHIERA 1" ¼             | VIROLE                | LOCK NUT                | NUT MUTTER           | ABRAZADERA                 |
| 17   | TR1115 |      | 1    | TROPPOPIENO             | NIVEAU                | OVER FLOW               | UBERLAUFROHR         | DEMASIADOLLENO             |
| 18   | TR0464 |      | 1    | GUIDA TROPPOPIENO       | COULISSE NIVEAU       | OVER FLOW GUIDE         | UBERLAUFROHR KORB    | GUIA DEMASIADOLLENO        |
| 19   | TR1234 |      | 1    | RACCORDO 1" ¼           | RACCORD               | PIPE FITTING            | ABLAUFANSCHLUSS      | EMPALME                    |
| 20   | TR0268 |      | 1    | TRAPPOLA ARIA           | RESERVOIR AIR         | AIR TRAP                | LUFTFALLE            | TRAMPA DEL AIRE            |
| 21   | 903260 |      | 1    | GUARNIZIONE             | JOINT                 | GASKET                  | DICHTUNG             | GUARNICIÓN                 |
| 22   | 902100 |      | 1    | GHIERA 3/8"             | VIROLE                | LOCK NUT                | NUT MUTTER           | ABRAZADERA                 |
| 23   | 907272 |      | 1    | TUBO PRESSOSTATO        | TUYAU PRESSOSTAT      | PRESSURE SWITCH PIPE    | SCHLAUCH             | TUBO PRESÓSTATO            |
| 24   | 905275 |      | 1    | PRESSOSTATO             | PRESSOSTAT            | PRESSURE SWITCH         | DRUCHWAECHTER        | PRESÓSTATO                 |
| 25   | 906399 |      | 2    | SQUADRETTA PRESSOSTATO  | EQUERRE PRESSOSTAT    | PRESSURE SWITCH BRACKET | WINKEL DRUCHWAECHTER | ANGULAR PRESÓSTATO         |
| 26   | 907100 |      | 1    | TERMOSTATO              | THERMOSTAT            | THERMOSTAT              | THERMOSTAT           | TERMÓSTATO                 |
| 27   | 903982 |      | 1    | MANOPOLA                | BOUTON                | KNOB                    | KNOPF                | EMPUÑADURA                 |
| 28   | TR0309 |      | 1    | REED MAGNETICO          | REED                  | REED                    | REED                 | REED MAGNÉTICO             |
| 29   | TR1071 |      | 1    | SQUADRETTA REED         | EQUERRE REED          | REED BRACKET            | WINKEL REED          | ANGULAR REED               |
| 30   | 907981 |      | 2    | O-RING                  | O-RING                | O-RING                  | O-RING               | O-RING                     |
| 31   | 905570 |      | 2    | RESISTENZA 6000W        | RESISTANCE            | HEATING ELEMENT         | HEIZKÖRPER           | RESISTENCIA                |
| 32   | 903250 |      | 1    | GUARNIZIONE             | JOINT                 | GASKET                  | DICHTUNG             | GUARNICIÓN                 |
| 33   | TR0298 |      | 1    | PORTABULBO              | SIÉGE DE BULBE        | SEATING BULB            | KUGELSITZ            | PORTABULBO                 |
| 34   | TR2021 |      | 1    | COPRIRESISTENZA         | PROTECTION RESISTANCE | HEATING COVER           | HEIZKÖRPER SCHUTZ    | CUBRE RESISTENCIA          |

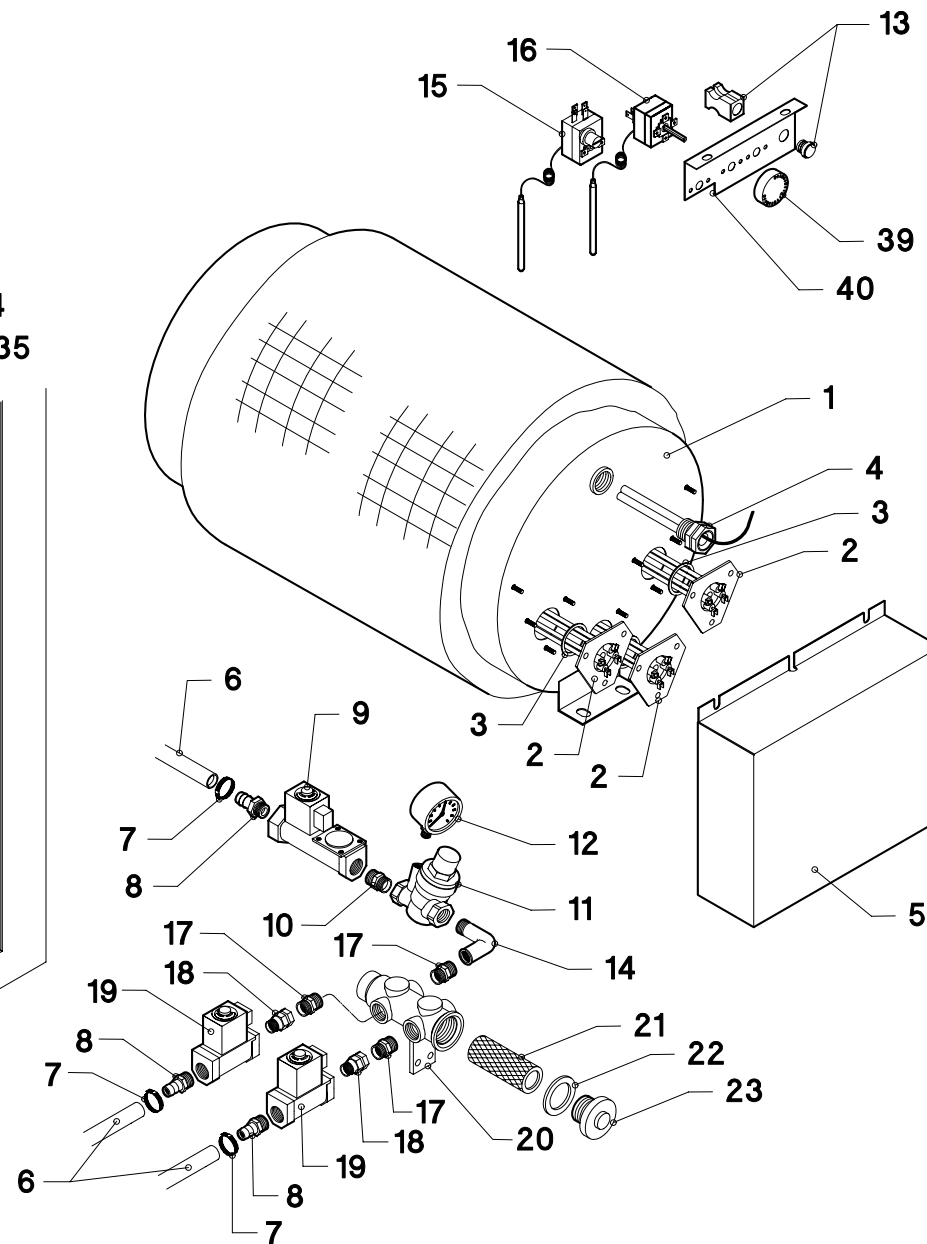
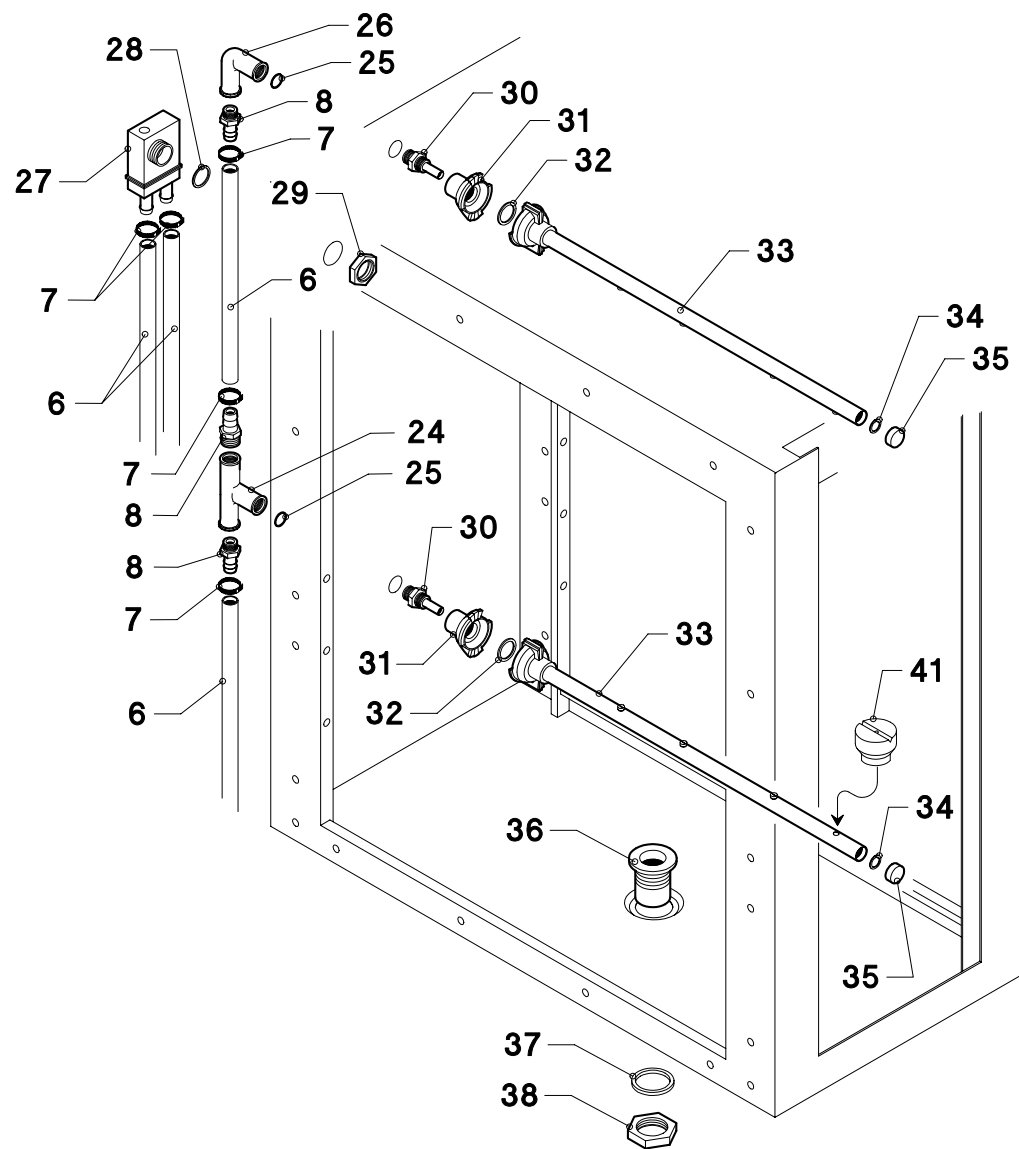




| Pos. | COD.   | COD. | Q.tà | DESCRIZIONE             | DENOMINATION         | DESCRIPTION             | BEZEICHNUNG          | DESCRIPCIÓN                |
|------|--------|------|------|-------------------------|----------------------|-------------------------|----------------------|----------------------------|
| 1    | TR1008 |      | 1    | PORTA                   | PORTE                | DOOR                    | TÜR                  | PUERTA                     |
| 2    | TR0220 |      | 1    | CUSTODIA CON MAGNETE    | PROTECTION MAGNETO   | COVER MAGNET            | MAGNETSCHUTZ         | ESTUCHE CON IMAN           |
| 3    | TR1102 |      | 1    | GUIDA SCORRIMENTO SX    | RAIL SX              | GUIDE SX                | FÜHRUNG SX           | GUIA DESLIZAMENTO SX       |
| 4    | TR1083 |      | 1    | GUIDA SCORRIMENTO DX    | RAIL DX              | GUIDE DX                | FÜHRUNG DX           | GUIA DESLIZAMENTO DX       |
| 5    | TR2005 |      | 1    | PARASPRUZZI             | GARDE-JETS           | SPRAY-GUARD             | SPRITZBLECH          | SALPICADERO                |
| 6    | TR0607 |      | 2    | AGGANCIO MOLLA          | CROCHET RESSORT      | SPRING HOOKING          | KUPPLUNGFEDER        | ENGANCHE RESORTE           |
| 7    | TR0999 |      | 4    | SUPP. SCORRIMENTO MOLLA | SUPPORT POUR RESSORT | SPRING SUPPORT          | FEDER TRÄGER         | SOP. DESLIZAMIENTO RESORTE |
| 8    | TR2008 |      | 2    | SQUADR. FISSAGGIO MOLLA | EQUERRE POUR RESSORT | SPRING SUPPORT          | FEDER TRÄGER         | ANGULAR FIJADORESORTE      |
| 9    | TR1856 |      | 2    | MOLLA PORTA LAVAGGIO    | RESSORT              | SPRING                  | FEDER                | RESORTE PUERTA LAV.        |
| 10   | TR0620 |      | 1    | BLOCCO SICUREZZA PORTA  | BLOC DE SÉCURITÉ     | SAFETY DOOR CATCH       | BLOCK TÜR            | BLOQUEO DE SEGUR. PUERTA   |
| 11   | TR2162 |      | 2    | SQUADRETTA TENDINA      | EQUERRE RIDEAU       | BRACKET CURTAIN         | WINKEL SPRITZSCHUTZ  | ANGULAR CORTINILLA         |
| 12   | TR2207 |      | 1    | FILTRO                  | FILTRE               | FILTRE                  | FILTER               | FILTRO                     |
| 13   | TR2209 |      | 1    | FILTRO                  | FILTRE               | FILTRE                  | FILTER               | FILTRO                     |
| 14   | 905450 |      | 2    | RACCORDO 1" ¼           | RACCORD              | PIPE FITTING            | ABLAUFANSCHLUSS      | EMPALME                    |
| 15   | 904380 |      | 3    | O-RING                  | O-RING               | O-RING                  | O-RING               | O-RING                     |
| 16   | 902080 |      | 3    | GHIERA 1" ¼             | VIROLE               | LOCK NUT                | NUT MUTTER           | ABRAZADERA                 |
| 17   | TR1115 |      | 1    | TROPPOPIENO             | NIVEAU               | OVER FLOW               | UBERLAUFROHR         | DEMASIADOLLENO             |
| 18   | TR0464 |      | 1    | GUIDA TROPPOPIENO       | COULISSE NIVEAU      | OVER FLOW GUIDE         | UBERLAUFROHR KORB    | GUIA DEMASIADOLLENO        |
| 19   | TR1234 |      | 1    | RACCORDO 1" ¼           | RACCORD              | PIPE FITTING            | ABLAUFANSCHLUSS      | EMPALME                    |
| 20   | TR0268 |      | 1    | TRAPPOLA ARIA           | RESERVOIR AIR        | AIR TRAP                | LUFTFALLE            | TRAMPA DEL AIRE            |
| 21   | 903260 |      | 1    | GUARNIZIONE             | JOINT                | GASKET                  | DICHTUNG             | GUARNICIÓN                 |
| 22   | 902100 |      | 1    | GHIERA 3/8"             | VIROLE               | LOCK NUT                | NUT MUTTER           | ABRAZADERA                 |
| 23   | 907272 |      | 1    | TUBO PRESSOSTATO        | TUYAU PRESSOSTAT     | PRESSURE SWITCH PIPE    | SCHLAUCH             | TUBO PRESÓSTATO            |
| 24   | 905275 |      | 1    | PRESSOSTATO             | PRESSOSTAT           | PRESSURE SWITCH         | DRUCHWAECHTER        | PRESÓSTATO                 |
| 25   | 906399 |      | 2    | SQUADRETTA PRESSOSTATO  | EQUERRE PRESSOSTAT   | PRESSURE SWITCH BRACKET | WINKEL DRUCHWAECHTER | ANGULAR PRESÓSTATO         |
| 26   | 907100 |      | 1    | TERMOSTATO              | THERMOSTAT           | THERMOSTAT              | THERMOSTAT           | TERMÓSTATO                 |
| 27   | 903982 |      | 1    | MANOPOLA                | BOUTON               | KNOB                    | KNOPF                | EMPUÑADURA                 |
| 28   | TR0309 |      | 1    | REED MAGNETICO          | REED                 | REED                    | REED                 | REED MAGNÉTICO             |
| 29   | TR1071 |      | 1    | SQUADRETTA REED         | EQUERRE REED         | REED BRACKET            | WINKEL REED          | ANGULAR REED               |
| 30   | 907981 |      | 2    | O-RING                  | O-RING               | O-RING                  | O-RING               | O-RING                     |
| 31   | 903250 |      | 1    | GUARNIZIONE             | JOINT                | GASKET                  | DICHTUNG             | GUARNICIÓN                 |
| 32   | TR0298 |      | 1    | PORTABULBO              | SIÉGE DE BULBE       | SEATING BULB            | KUGELSITZ            | PORTABULBO                 |
| 33   | TR2034 |      | 2    | ALBERO PER TENDINA      | ARBRE RIDEAU         | CURTAIN ROD             | HALTERUNG            | EJE PARA CORTINILLA        |
| 34   | TR0471 |      | 2    | TENDINA                 | RIDEAU               | CURTAIN                 | SPRITZSCHUTZ         | CORTINILLA                 |







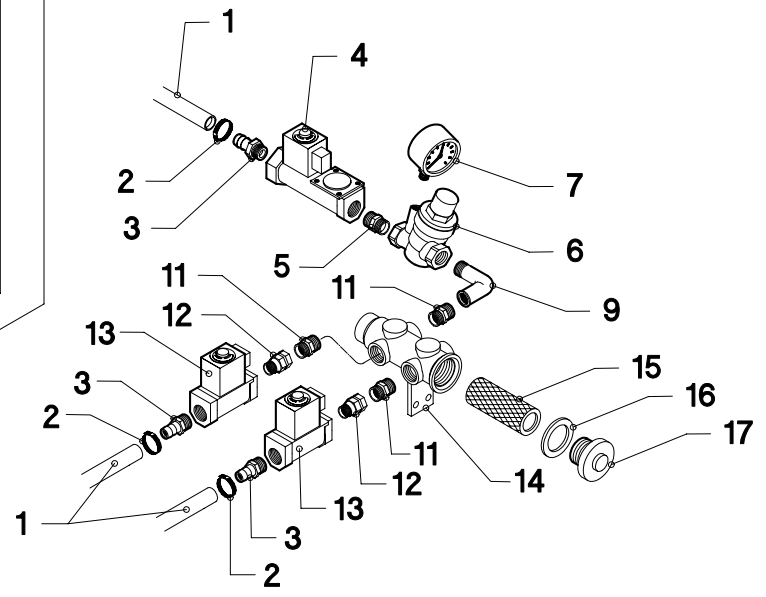
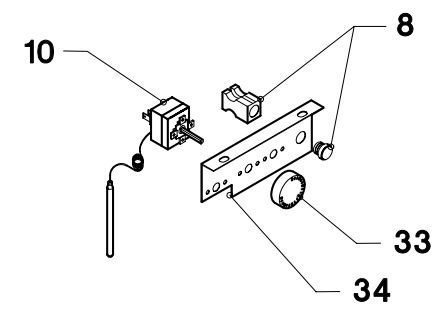
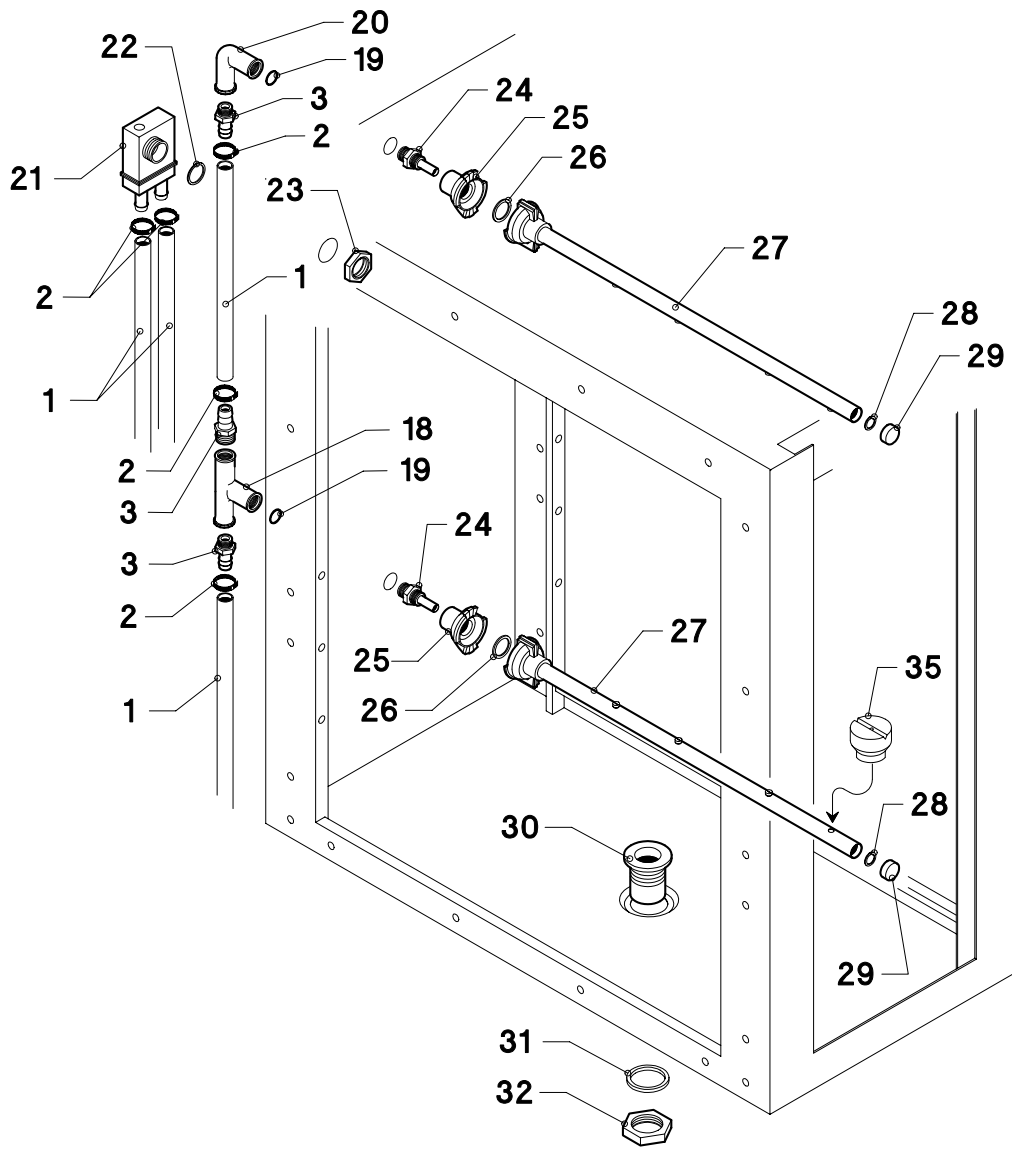
# LAVASTOVIGLIE A NASTRO - RISCIAQUO

ED. 2000

## TAV. 7

| Pos. | COD.   | COD. | Q.tà | DESCRIZIONE                 | DENOMINATION           | DESCRIPTION           | BEZEICHNUNG              | DESCRIPCIÓN              |
|------|--------|------|------|-----------------------------|------------------------|-----------------------|--------------------------|--------------------------|
| 1    | TR0029 |      | 1    | BOILER                      | CHAUFFE EAU            | BOILER                | HEISSWASSERSPEICHER      | BOILER                   |
| 2    | TR0341 |      | 3    | RESISTENZA 9000W            | RESISTANCE             | HEATING ELEMENT       | HEIZKÖRPER               | RESISTENCIA              |
| 3    | 907981 |      | 3    | O-RING                      | O-RING                 | O-RING                | O-RING                   | O-RING                   |
| 4    | TR0298 |      | 1    | PORTABULBO                  | SIÈGE DE BULBE         | SEATING BULB          | KUGELSITZ                | PORTABULBO               |
| 5    | TR0068 |      | 1    | COPRIRESISTENZA             | PROTECTION RESISTANCE  | HEATING COVER         | HEIZKÖRPER SCHUTZ        | CUBRE RESISTENCIA        |
| 6    | 907350 |      | 7    | TUBO GOMMA 12X22            | TUYAU EN CAOUTCHOUC    | RUBBER PIPE           | GUMMISCHLAUCH            | TUBO GOMA                |
| 7    | 902450 |      | 8    | FASCETTA 15÷24              | COLLIER                | CLAMP                 | SHELLE                   | ABRAZADERA               |
| 8    | TR2375 |      | 6    | RACCORDO PORTAGOMMA ¾"      | RACCORD                | PIPE FITTING          | ANSCHLUSSE               | EMPALME GOME PARA PUERTA |
| 9    | TR0090 |      | 1    | ELETTROVALVOLA ¾"           | ELECTROVANNE           | ELECTRIC VALVE        | ELEKTROVENTIL            | VALVULA ELECTRICA        |
| 10   | TR2347 |      | 1    | NIPPLO RIDOTTO ½"÷¾"        | NIPPLES                | NIPPLE                | NIPPLE                   | NIPLE REDUCCIÓN          |
| 11   | TR0371 |      | 1    | RIDUTTORE DI PRESSIONE      | REDUCTEUR              | PRESSURE REDUCER      | DRUCKMINDERER            | REDUCTOR DE PRECIÓN      |
| 12   | TR0399 |      | 1    | MANOMETRO                   | MANOMETRE REDUCTEUR    | PRESSURE GANGE        | DRUCK MESSER             | MANÓMETRO                |
| 13   | TR0105 |      | 1    | PULSANTE RIEMPIMENTO BOILER | BOUTON                 | PUSH BUTTON           | DRUCKTASTE               | INTERR. DELLENADO BOILER |
| 14   | TR2333 |      | 1    | BOCCHETTONE CURVO ½"        | GOULOTTE               | PIPE UNION            | STUTZEN                  | RAMPA DE DESAGÜE CURVO   |
| 15   | 907125 |      | 1    | TERMOSTATO DI SICUREZZA     | THERMOSTAT             | THERMOSTAT            | THERMOSTAT               | TERMÓSTATO DE SEGURIDAD  |
| 16   | 907100 |      | 1    | TERMOSTATO BOILER           | THERMOSTAT             | THERMOSTAT            | THERMOSTAT               | TERMÓSTATO BOILER        |
| 17   | TR2322 |      | 3    | NIPPLO ½"                   | NIPPLES                | NIPPLE                | NIPPLE                   | NIPLE                    |
| 18   | TR2335 |      | 2    | BOCCHETTONE DIRITTO ½"      | GOULOTTE               | PIPE UNION            | STUTZEN                  | RAMPA DE DESAGÜE RECTO   |
| 19   | TR0091 |      | 2    | ELETTROVALVOLA ½"           | ELECTROVANNE           | ELECTRIC VALVE        | ELEKTROVENTIL            | VALVULA ELECTRICA        |
| 20   | TR0127 |      | 1    | FILTRO 4 VIE                | FILTRE                 | FILTER                | FILTER                   | FILTRO 4 DIRECCIONES     |
| 21   | TR0123 |      | 1    | FILTRO A CARTUCCIA          | FILTRE                 | FILTER                | FILTER                   | FILTRO CON CARTUCHO      |
| 22   | 903406 |      | 1    | GUARNIZIONE                 | JOINT                  | GASKET                | DICHTUNG                 | GUARNICIÓN               |
| 23   | TR2382 |      | 1    | TAPPO                       | BOUCHON                | PLUG                  | PROPFFEN                 | TAPÓN                    |
| 24   | TR2404 |      | 1    | RACCORDO 3 VIE ½"           | RACCORD                | PIPE FITTING          | ANSCHLUSSE               | EMPALME 3 DIRECCIONES    |
| 25   | 904992 |      | 2    | GUARNIZIONE                 | JOINT                  | GASKET                | DICHTUNG                 | GUARNICIÓN               |
| 26   | TR2437 |      | 1    | RACCORDO GOMITO ½"          | RACCORD                | PIPE FITTING          | ANSCHLUSSE               | EMPALME CODO             |
| 27   | 907460 |      | 1    | VALVOLA ANTIRITORNO         | VALVE                  | VALVE                 | VENTIL                   | VALVULA ANTIREGRESO      |
| 28   | 903290 |      | 1    | GUARNIZIONE                 | JOINT                  | GASKET                | DICHTUNG                 | GUARNICIÓN               |
| 29   | TR0138 |      | 1    | GHIERA PG 21                | VIROLE                 | LOCK NUT              | NUT MUTTER               | ABRAZADERA               |
| 30   | TR2350 |      | 2    | GUIDA BRACCIO RISCIAQUO     | COULISSE POUR BRAS     | GUIDE FOR ARM         | EINFÜHRUNG               | GUIA DEL BRAZO ENJUAGUE  |
| 31   | 908096 |      | 2    | RACCORDO RAPIDO             | ATELLAGE               | QUICK COUPLER         | SCHNELLVERSCHLUSS        | EMPALME RAPIDO           |
| 32   | 903321 |      | 2    | GUARNIZIONE                 | JOINT                  | GASKET                | DICHTUNG                 | GUARNICIÓN               |
| 33   | TR0064 |      | 2    | BRACCIO RISCIAQUO SUP./INF. | BRAS RINÇAGE SUP./INF. | UPPER/LOWER RINSE ARM | OBERER/UNTERER NACHSPÜL. | BRAZO ENJUAGUE SUP./INF. |
| 34   | 903351 |      | 2    | GUARNIZIONE                 | JOINT                  | GASKET                | DICHTUNG                 | GUARNICIÓN               |



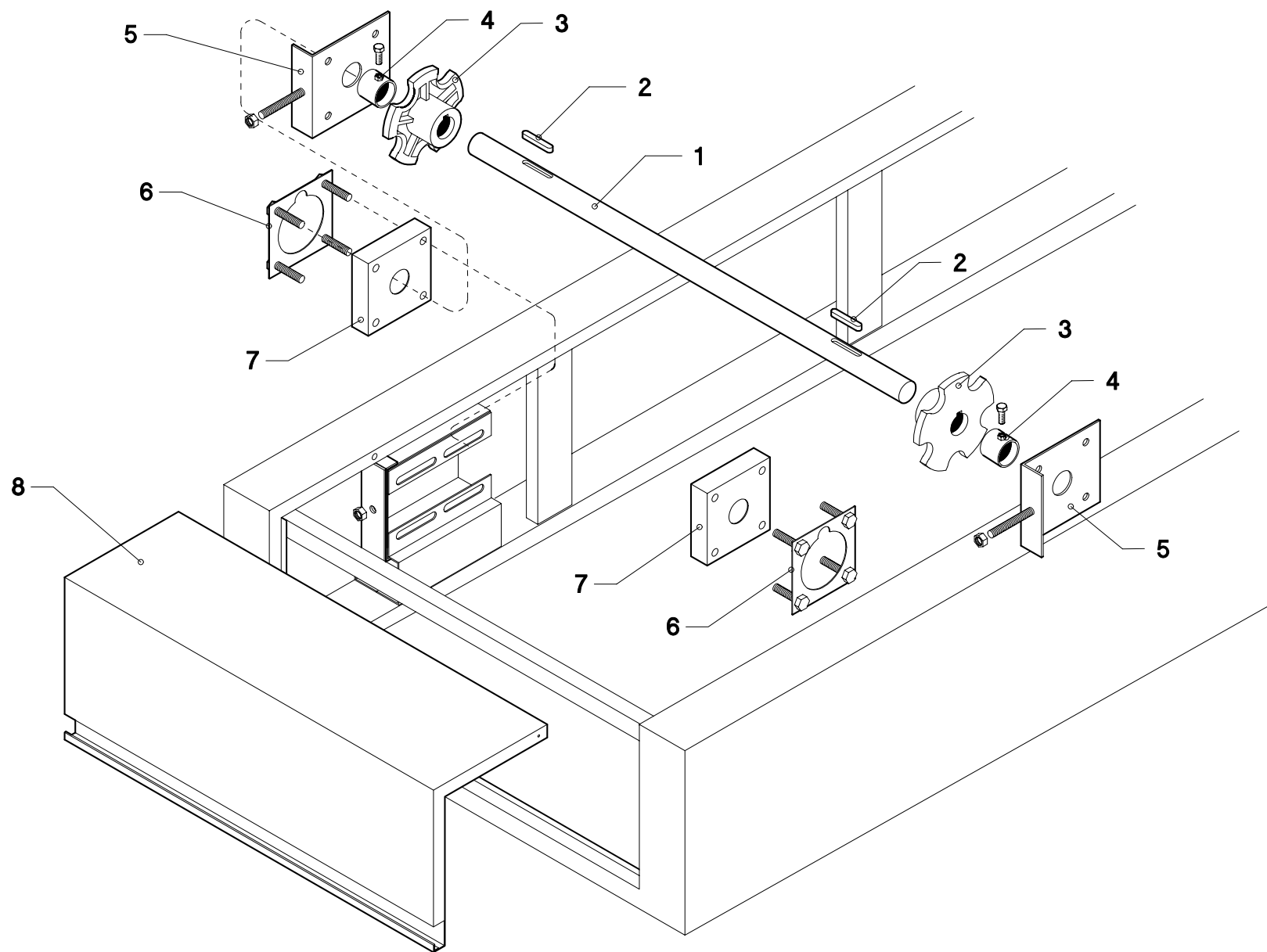


# LAVASTOVIGLIE A NASTRO – RISCIAQUO VAPORE

ED. 2000

TAV. 7/1

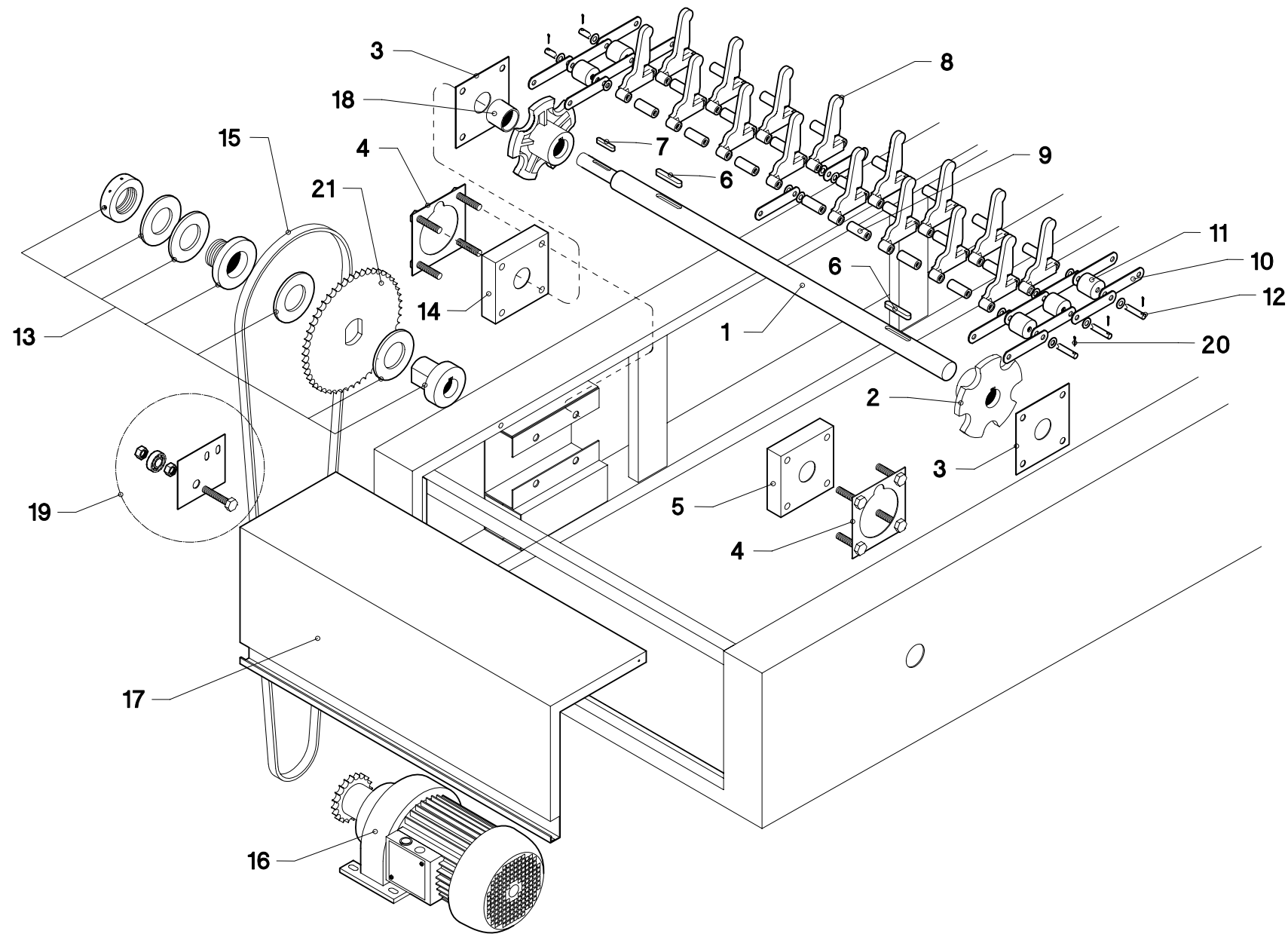
| Pos. | COD.   | COD. | Q.tà | DESCRIZIONE                 | DENOMINATION           | DESCRIPTION           | BEZEICHNUNG              | DESCRIPCIÓN              |
|------|--------|------|------|-----------------------------|------------------------|-----------------------|--------------------------|--------------------------|
| 1    | 907350 |      | 7    | TUBO GOMMA 12X22            | TUYAU EN CAOUTCHOUC    | RUBBER PIPE           | GUMMISCHLAUCH            | TUBO GOMA                |
| 2    | 902450 |      | 8    | FASCETTA 15÷24              | COLLIER                | CLAMP                 | SCHELLE                  | ABRAZADERA               |
| 3    | TR2375 |      | 6    | RACCORDO PORTAGOMMA ¾"      | RACCORD                | PIPE FITTING          | ANSCHLUSSE               | EMPALME GOME PARA PUERTA |
| 4    | TR0090 |      | 1    | ELETTROVALVOLA ¾"           | ELECTROVANNE           | ELECTRIC VALVE        | ELEKTROVENTIL            | VALVULA ELECTRICA        |
| 5    | TR2347 |      | 1    | NIPPLO RIDOTTO ½"÷¾"        | NIPPLES                | NIPPLE                | NIPPLE                   | NIPLE REDUCCIÓN          |
| 6    | TR0371 |      | 1    | RIDUTTORE DI PRESSIONE      | REDUCTEUR              | PRESSURE REDUCER      | DRUCKMINDERER            | REDUCTOR DE PRECIÓN      |
| 7    | TR0399 |      | 1    | MANOMETRO                   | MANOMETRE REDUCTEUR    | PRESSURE GANGE        | DRUCK MESSER             | MANÓMETRO                |
| 8    | TR0105 |      | 1    | PULSANTE RIEMPIMENTO BOILER | BOUTON                 | PUSH BUTTON           | DRUCKTASTE               | INTERR. DELLENADO BOILER |
| 9    | TR2333 |      | 1    | BOCCHETTONE CURVO ½"        | GOULOTTE               | PIPE UNION            | STUTZEN                  | RAMPA DE DESAGÜE CURVO   |
| 10   | 907100 |      | 1    | TERMOSTATO BOILER           | THERMOSTAT             | THERMOSTAT            | THERMOSTAT               | TERMÓSTATO BOILER        |
| 11   | TR2322 |      | 3    | NIPPLO ½"                   | NIPPLES                | NIPPLE                | NIPPLE                   | NIPLE                    |
| 12   | TR2335 |      | 2    | BOCCHETTONE DIRITTO ½"      | GOULOTTE               | PIPE UNION            | STUTZEN                  | RAMPA DE DESAGÜE RECTO   |
| 13   | TR0091 |      | 2    | ELETTROVALVOLA ½"           | ELECTROVANNE           | ELECTRIC VALVE        | ELEKTROVENTIL            | VALVULA ELECTRICA        |
| 14   | TR0127 |      | 1    | FILTRO 4 VIE                | FILTRE                 | FILTER                | FILTER                   | FILTRO 4 DIRECCIONES     |
| 15   | TR0123 |      | 1    | FILTRO A CARTUCCIA          | FILTRE                 | FILTER                | FILTER                   | FILTRO CON CARTUCHO      |
| 16   | 903406 |      | 1    | GUARNIZIONE                 | JOINT                  | GASKET                | DICHTUNG                 | GUARNICIÓN               |
| 17   | TR2382 |      | 1    | TAPPO                       | BOUCHON                | PLUG                  | PROPFEN                  | TAPÓN                    |
| 18   | TR2404 |      | 1    | RACCORDO 3 VIE ½"           | RACCORD                | PIPE FITTING          | ANSCHLUSSE               | EMPALME 3 DIRECCIONES    |
| 19   | 904992 |      | 2    | GUARNIZIONE                 | JOINT                  | GASKET                | DICHTUNG                 | GUARNICIÓN               |
| 20   | TR2437 |      | 1    | RACCORDO GOMITO ½"          | RACCORD                | PIPE FITTING          | ANSCHLUSSE               | EMPALME CODO             |
| 21   | 907460 |      | 1    | VALVOLA ANTIRITORNO         | VALVE                  | VALVE                 | VENTIL                   | VALVULA ANTIREGRESO      |
| 22   | 903290 |      | 1    | GUARNIZIONE                 | JOINT                  | GASKET                | DICHTUNG                 | GUARNICIÓN               |
| 23   | TR0138 |      | 1    | GHIERA PG 21                | VIROLE                 | LOCK NUT              | NUT MUTTER               | ABRAZADERA               |
| 24   | TR2350 |      | 2    | GUIDA BRACCIO RISCIAQUO     | COULISSE POUR BRAS     | GUIDE FOR ARM         | EINFÜHRUNG               | GUIA DEL BRAZO ENJUAGUE  |
| 25   | 908096 |      | 2    | RACCORDO RAPIDO             | ATELLAGE               | QUICK COUPLER         | SCHNELLVERSCHLUSS        | EMPALME RAPIDO           |
| 26   | 903321 |      | 2    | GUARNIZIONE                 | JOINT                  | GASKET                | DICHTUNG                 | GUARNICIÓN               |
| 27   | TR0064 |      | 2    | BRACCIO RISCIAQUO SUP./INF. | BRAS RINÇAGE SUP./INF. | UPPER/LOWER RINSE ARM | OBERER/UNTERER NACHSPÜL. | BRAZO ENJUAGUE SUP./INF. |
| 28   | 903351 |      | 2    | GUARNIZIONE                 | JOINT                  | GASKET                | DICHTUNG                 | GUARNICIÓN               |
| 29   | TR3227 |      | 2    | TAPPO                       | BOUCHON                | PLUG                  | PROPFEN                  | TAPÓN                    |
| 30   | 905450 |      | 1    | RACCORDO 1" ¼               | RACCORD                | PIPE FITTING          | ANSCHLUSSE               | EMPALME                  |
| 31   | 904380 |      | 1    | O-RING                      | O-RING                 | O-RING                | O-RING                   | O-RING                   |
| 32   | 902080 |      | 1    | GHIERA 1" ¼                 | VIROLE                 | LOCK NUT              | NUT MUTTER               | ABRAZADERA               |
| 33   | 903982 |      | 1    | MANOPOLA                    | BOUTON                 | KNOB                  | KNOPF                    | EMPUÑADURA               |
| 34   | TR2171 |      | 1    | SQUADRETTA TERMOSTATI       | EQUERRE THERMOSTAT     | THERMOSTAT BRACKET    | WINKEL THERMOSTAT        | ANGULAR TERMÓSTATO       |
| 35   | TR0003 |      | 8    | GETTO                       | JET                    | JET                   | SPULDUSE                 | CHORRO                   |



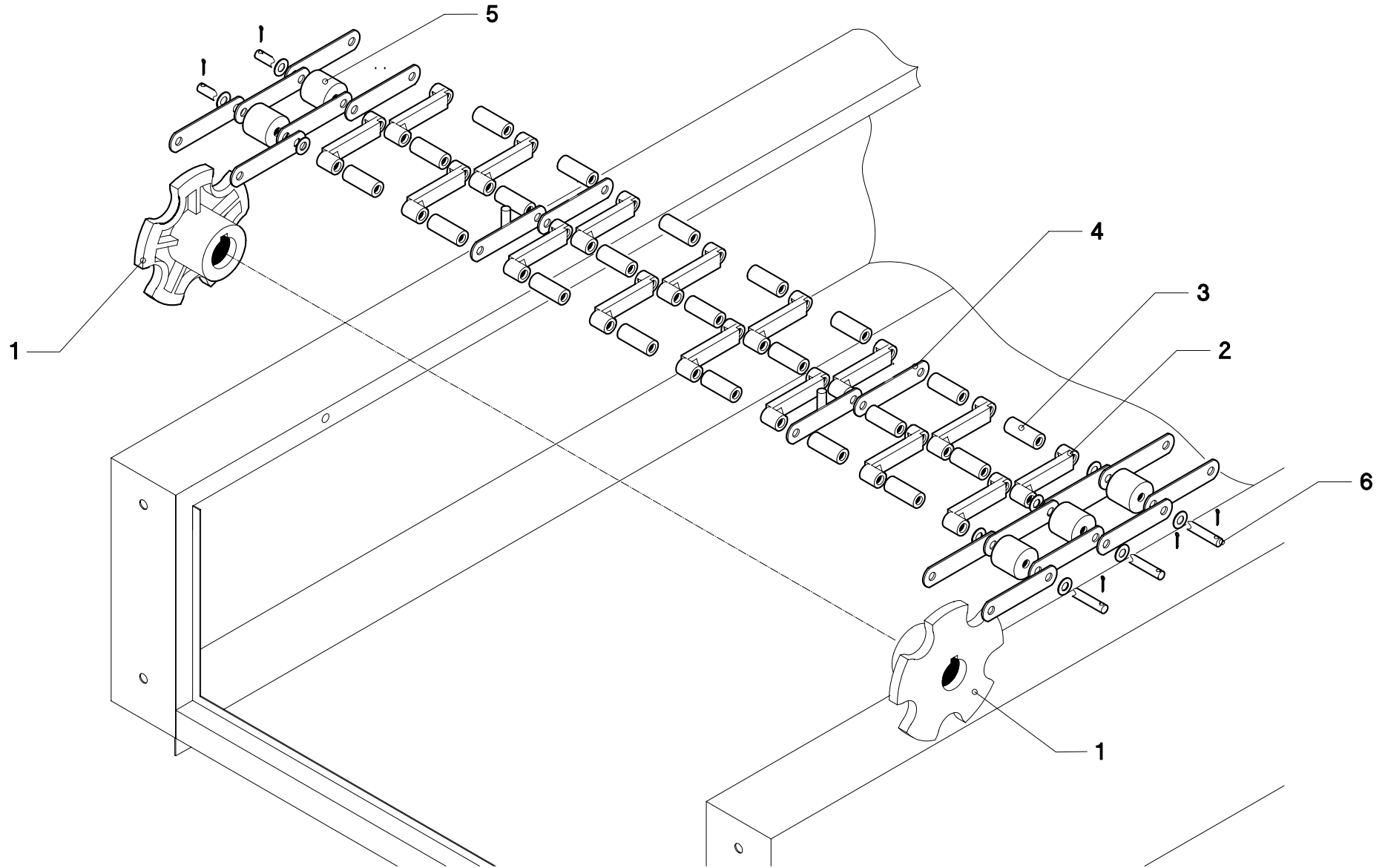




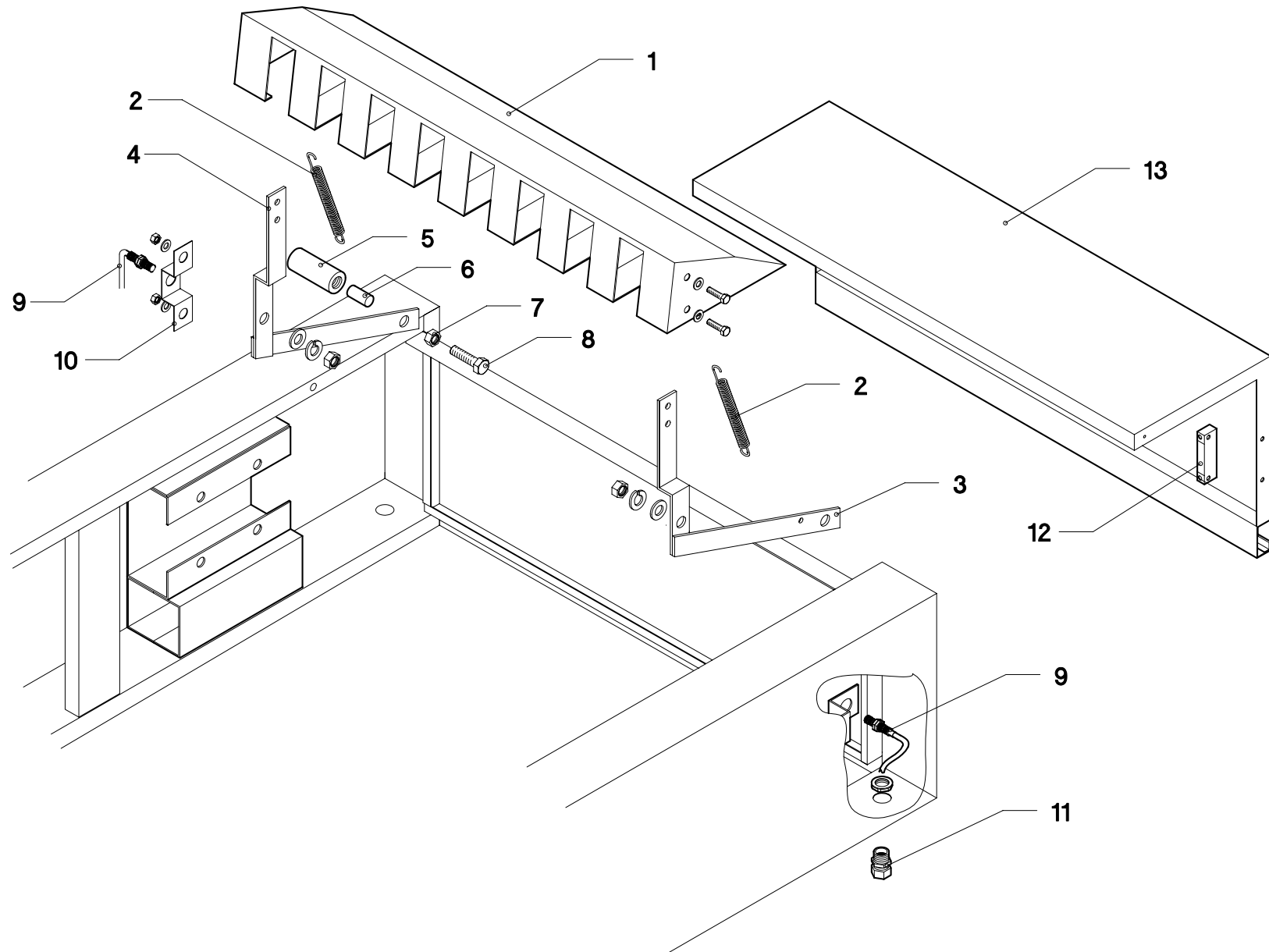
# LAVASTOVIGLIE A NASTRO – MENSOLA USCITA



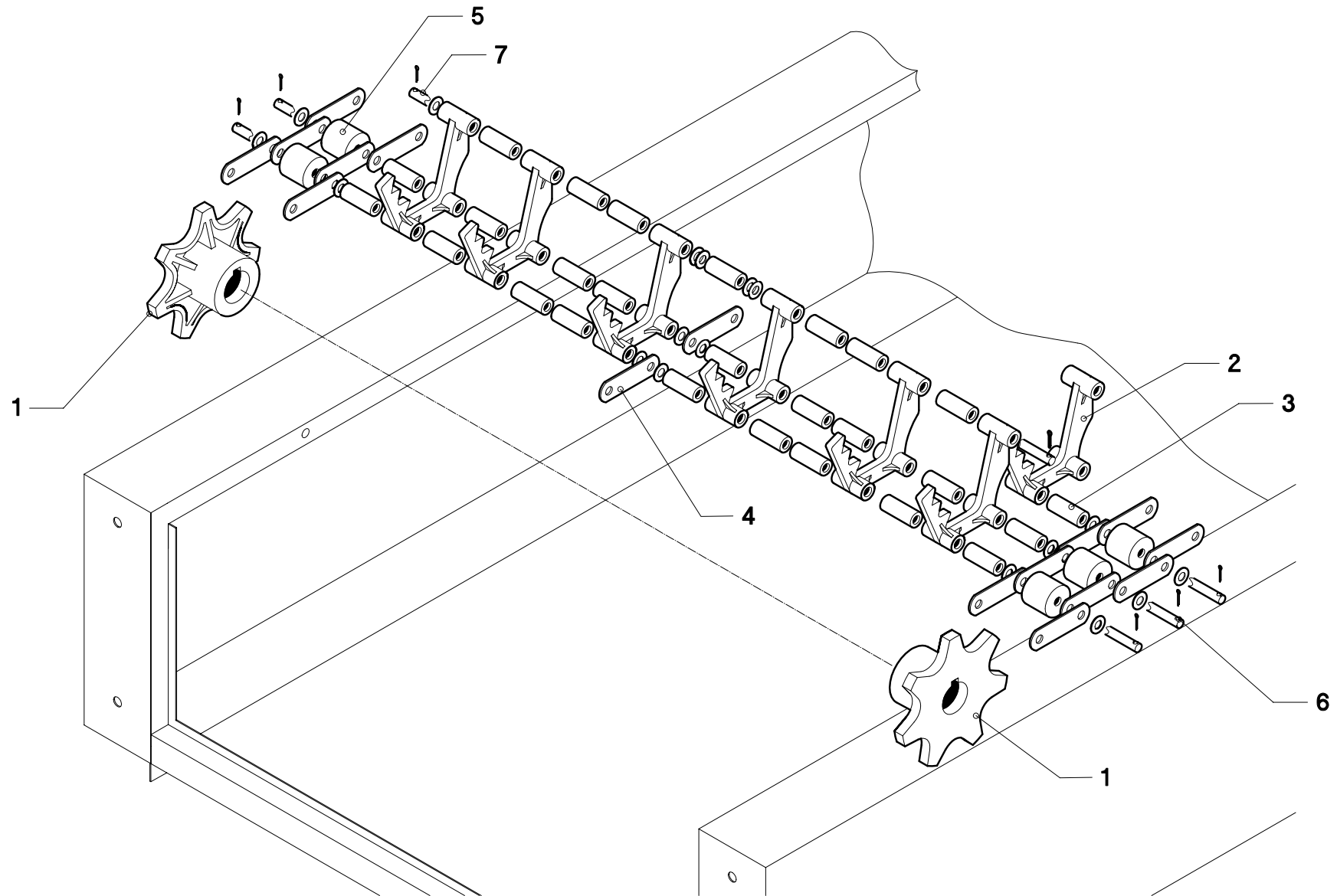






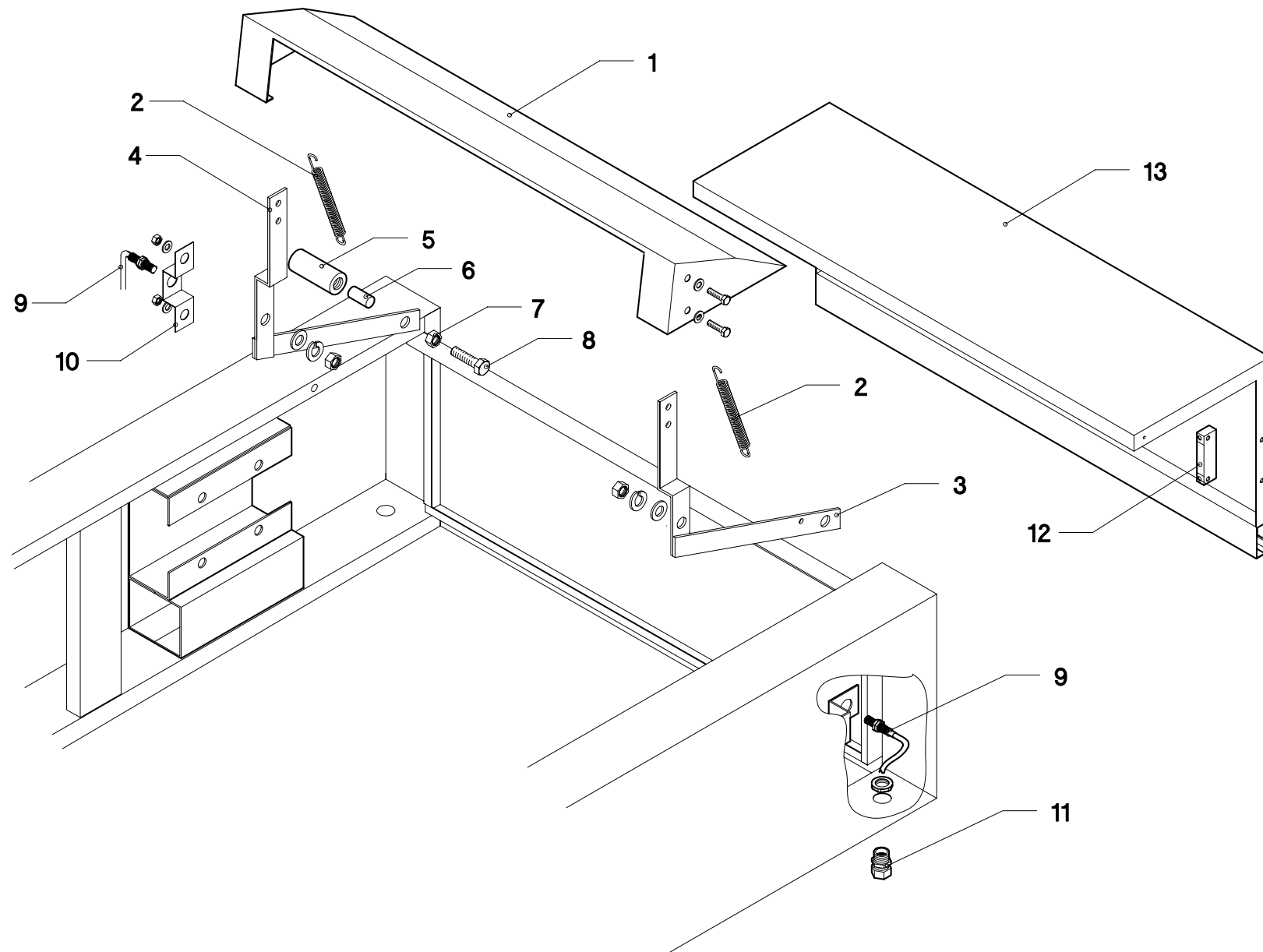




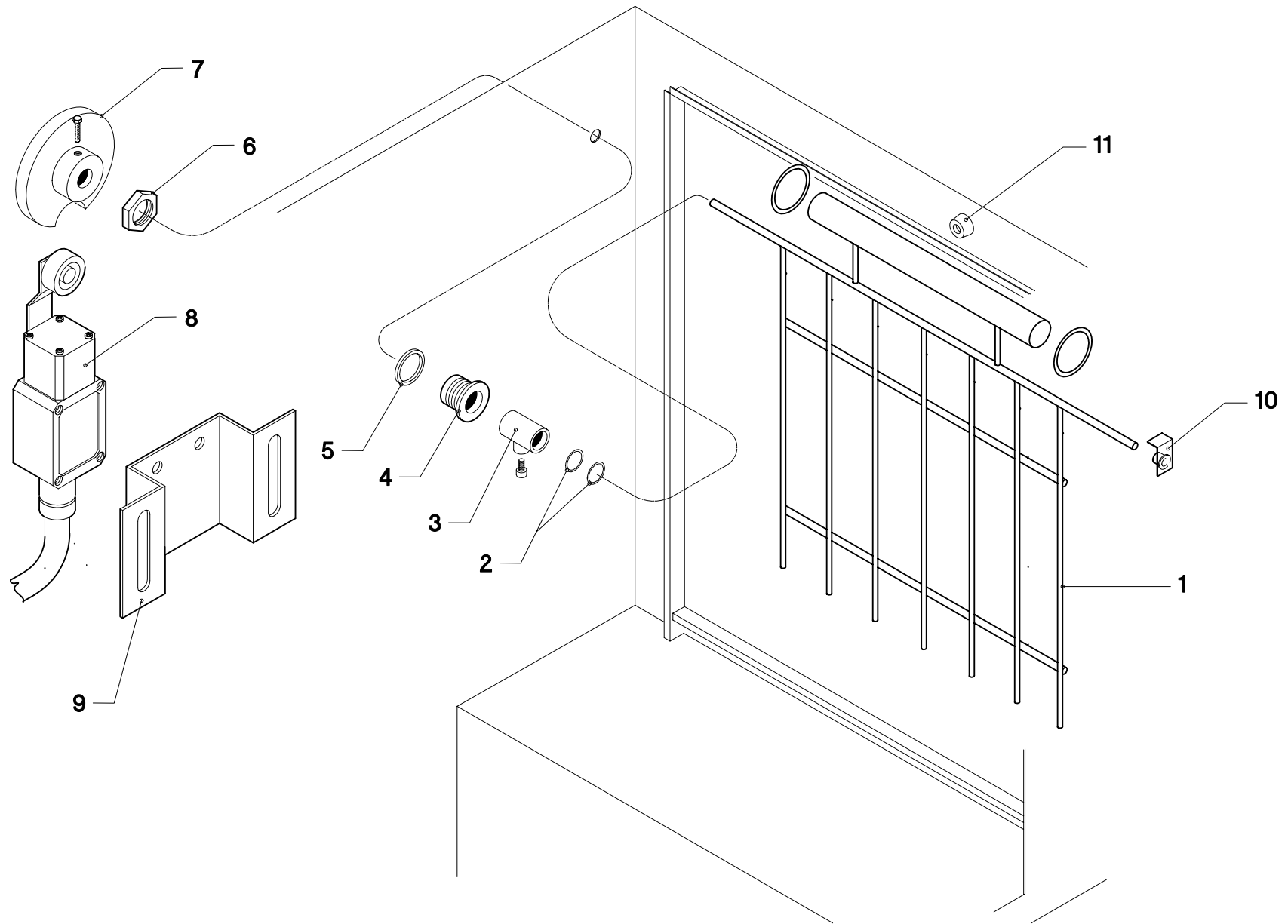




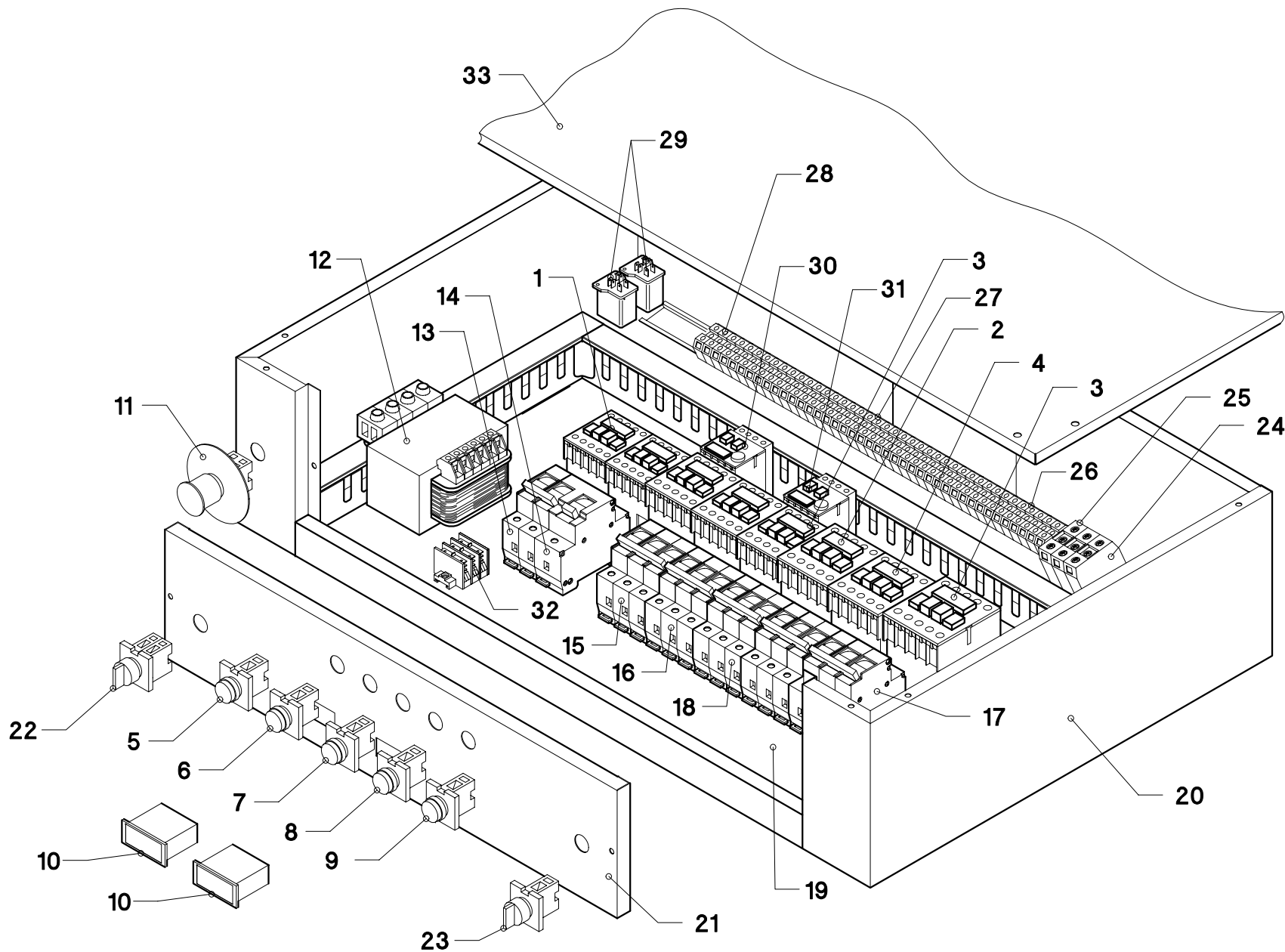




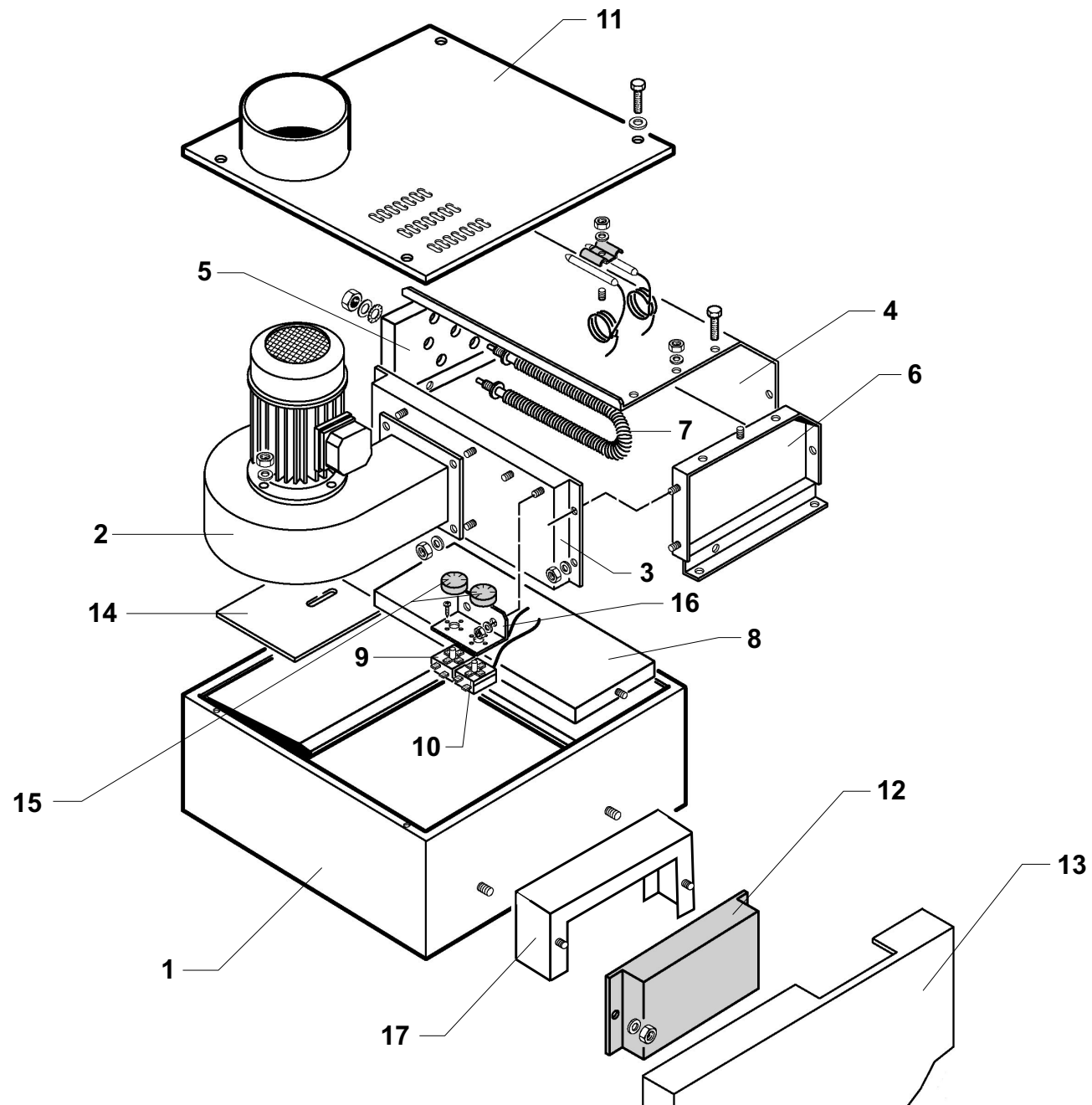






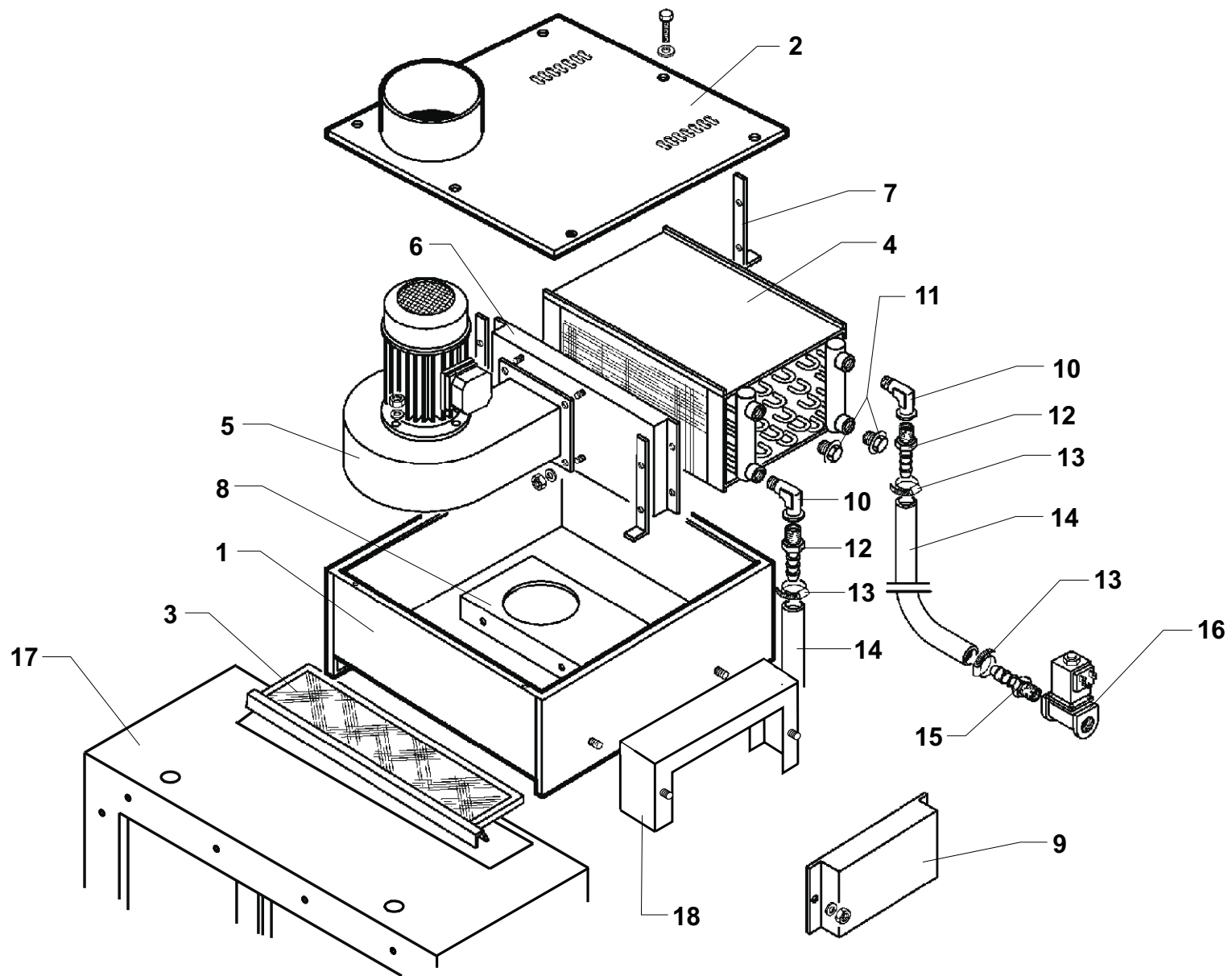




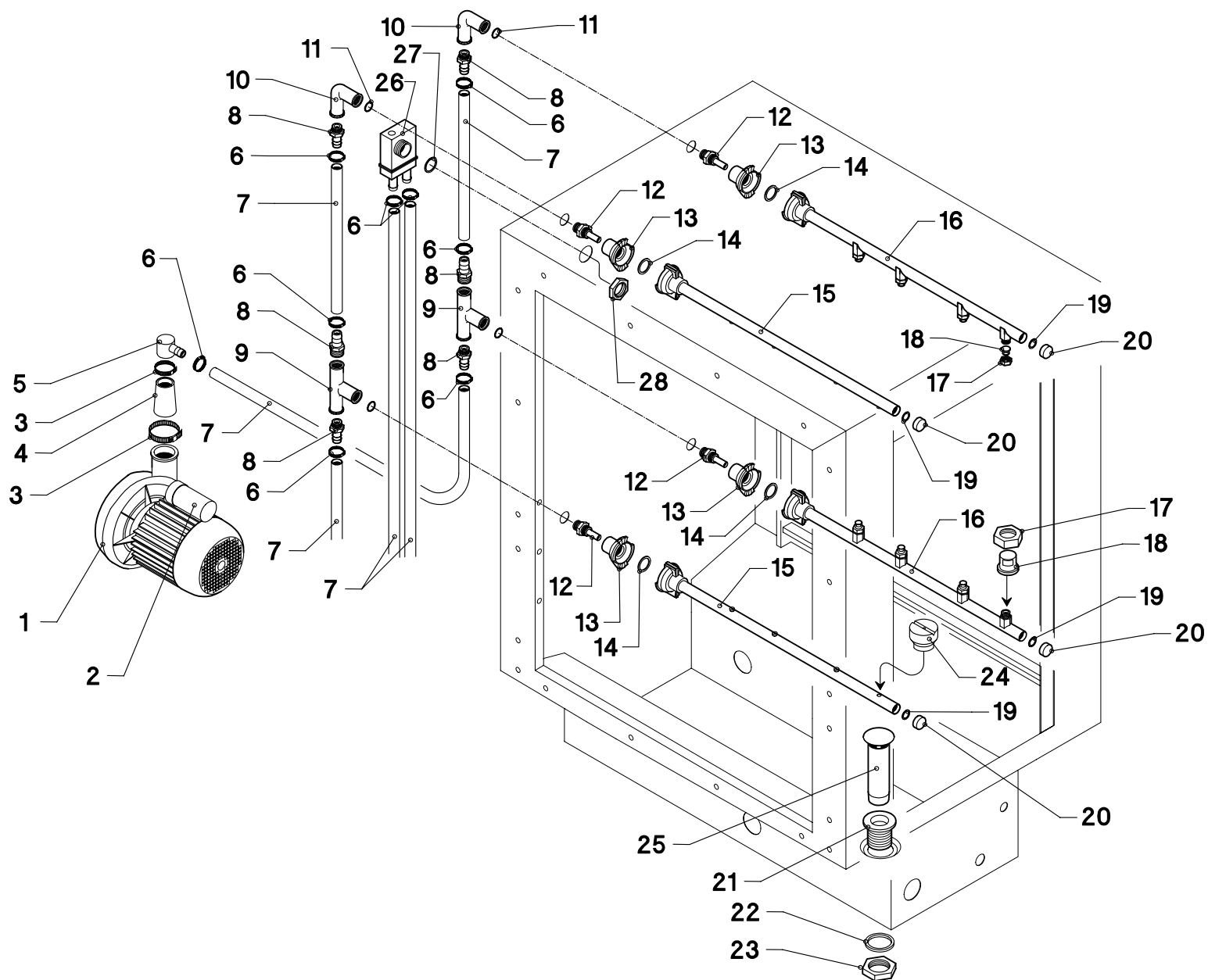




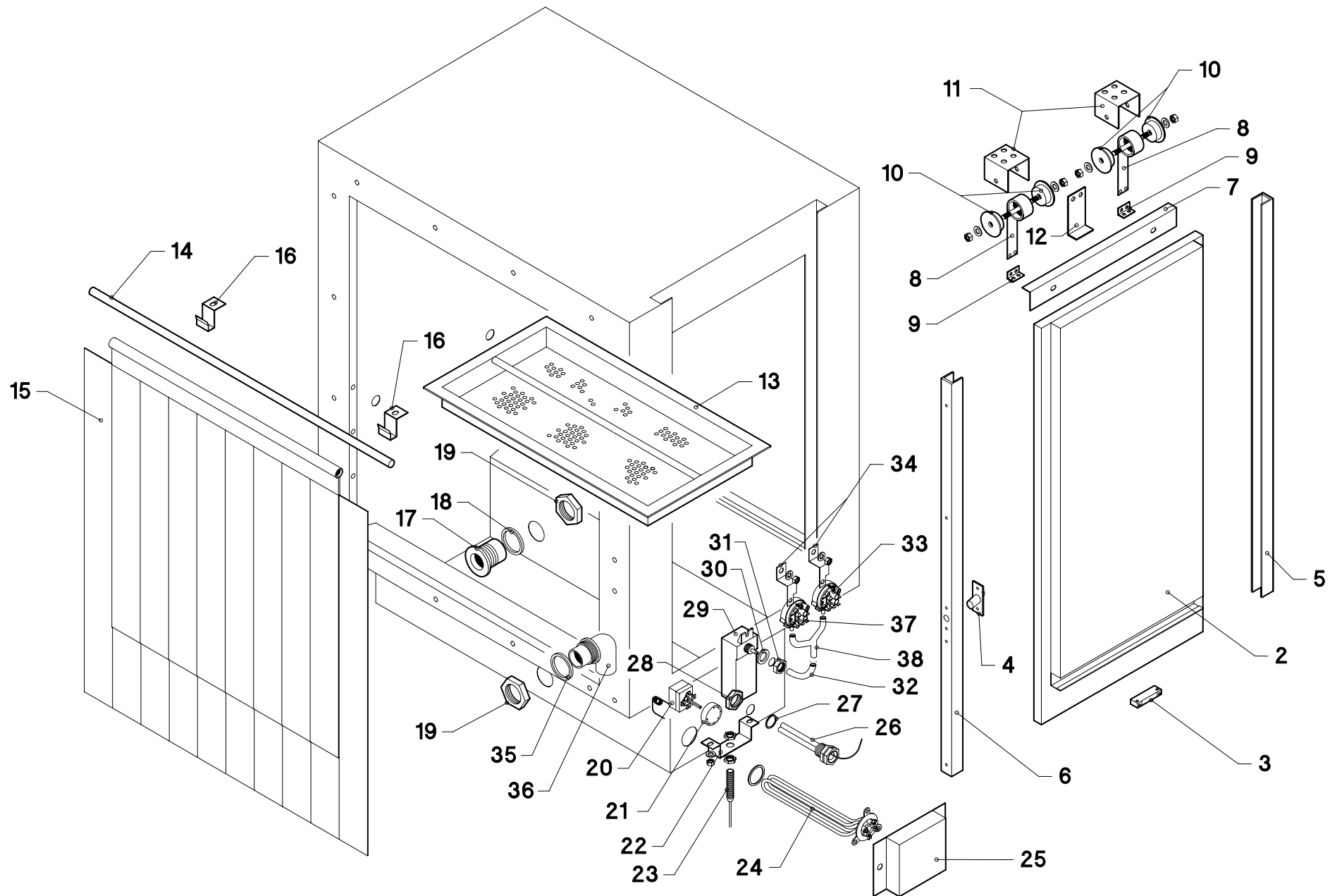












# LAVASTOVIGLIE A NASTRO – DOPPIO RISCIACQUO

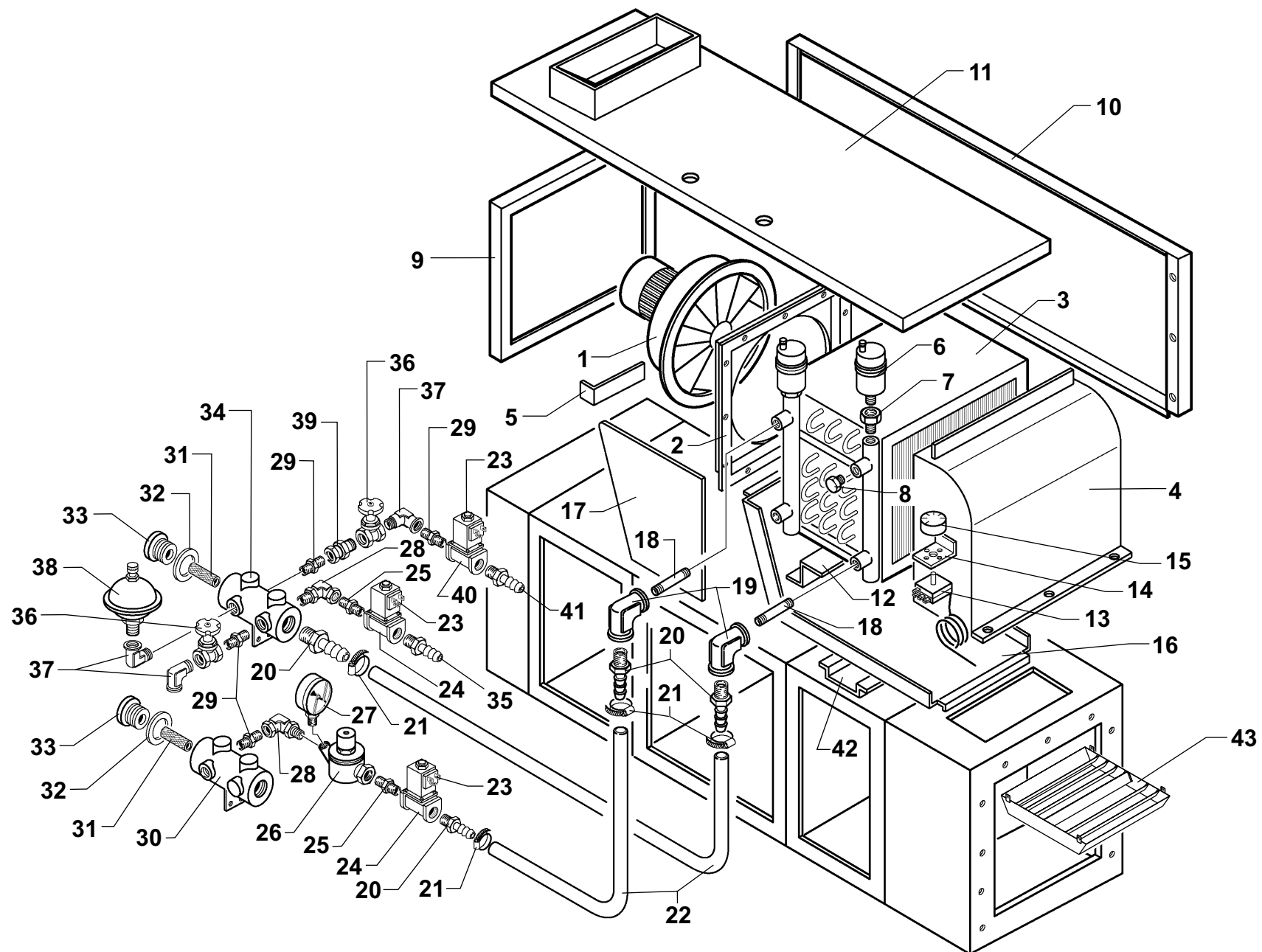
NS2500 – NS3500  
NS5000 – NS6000

ED. 2000

# TAV. 17

| Pos. | COD.   | COD. | Q.tà | DESCRIZIONE             | DENOMINATION          | DESCRIPTION             | BEZEICHNUNG          | DESCRIPCIÓN                |
|------|--------|------|------|-------------------------|-----------------------|-------------------------|----------------------|----------------------------|
| 1    | TR3253 |      | 1    | CAPOT                   | CAPOTE                | HOOD                    | GEHÄUSE              | CAPOT                      |
| 2    | TR1007 |      | 1    | PORTA                   | PORTE                 | DOOR                    | TÜR                  | PUERTA                     |
| 3    | TR0220 |      | 1    | CUSTODIA CON MAGNETE    | PROTECTION MAGNETO    | COVER MAGNET            | MAGNETSCHUTZ         | ESTUCHE CON IMAN           |
| 4    | TR0620 |      | 1    | BLOCCO SICUREZZA PORTA  | BLOC DE SÉCURITÉ      | SAFETY DOOR CATCH       | BLOCK TÜR            | BLOQUEO DE SEGUR. PUERTA   |
| 5    | TR1083 |      | 1    | GUIDA SCORRIMENTO DX    | RAIL DX               | GUIDE DX                | FÜHRUNG DX           | GUIA DESLIZAMENTO DX       |
| 6    | TR1102 |      | 1    | GUIDA SCORRIMENTO SX    | RAIL SX               | GUIDE SX                | FÜHRUNG SX           | GUIA DESLIZAMENTO SX       |
| 7    | TR2006 |      | 1    | PARASPRUZZI             | GARDE-JETS            | SPRAY-GUARD             | SPRITZBLECH          | SALPICADERO                |
| 8    | TR1860 |      | 2    | MOLLA PORTA             | RESSORT               | SPRING                  | FEDER                | RESORTE PUERTA             |
| 9    | TR0607 |      | 2    | AGGANCIAMENTO MOLLA     | CROCHET RESSORT       | SPRING HOOKING          | KUPPLUNGFEDER        | ENGANCHE RESORTE           |
| 10   | TR0999 |      | 4    | SUPP. SCORRIMENTO MOLLA | SUPPORT POUR RESSORT  | SPRING SUPPORT          | FEDER TRÄGER         | SOP. DESLIZAMIENTO RESORTE |
| 11   | TR2008 |      | 2    | SQUADR. FISSAGGIO MOLLA | EQUERRE POUR RESSORT  | SPRING SUPPORT          | FEDER TRÄGER         | ANGULAR FIJADORESORTE      |
| 12   | TR2185 |      | 1    | FERMO PORTA             | ARRET DE PORTE        | SPRING LOCK             | FEST TÜR             | TOPE PUERTA                |
| 13   | TR2009 |      | 1    | FILTRO                  | FILTRE                | FILTRE                  | FILTER               | FILTRO                     |
| 14   | TR2034 |      | 1    | ALBERO PER TENDINA      | ARBRE RIDEAU          | CURTAIN ROD             | HALTERUNG            | EJE PARA CORTINILLA        |
| 15   | TR0471 |      | 1    | TENDINA                 | RIDEAU                | CURTAIN                 | SPRITZSCHUTZ         | CORTINILLA                 |
| 16   | TR2162 |      | 2    | SQUADRETTA TENDINA      | EQUERRE RIDEAU        | BRACKET CURTAIN         | WINKEL SPRITZSCHUTZ  | ANGULAR CORTINILLA         |
| 17   | 905450 |      | 1    | RACCORDO 1" ¼           | RACCORD               | PIPE FITTING            | ABLAUFANSCHLUSS      | EMPALME                    |
| 18   | 904380 |      | 1    | O-RING                  | O-RING                | O-RING                  | O-RING               | O-RING                     |
| 19   | 902080 |      | 2    | GHIERA 1" ¼             | VIROLE                | LOCK NUT                | NUT MUTTER           | ABRAZADERA                 |
| 20   | 907100 |      | 1    | TERMOSTATO              | THERMOSTAT            | THERMOSTAT              | THERMOSTAT           | TERMÓSTATO                 |
| 21   | 903982 |      | 1    | MANOPOLA                | BOUTON                | KNOB                    | KNOFF                | EMPUÑADURA                 |
| 22   | TR1071 |      | 1    | SQUADRETTA REED         | EQUERRE REED          | REED BRACKET            | WINKEL REED          | ANGULAR REED               |
| 23   | TR0309 |      | 1    | REED MAGNETICO          | REED                  | REED                    | REED                 | REED MAGNÉTICO             |
| 24   | 905560 |      | 1    | RESISTENZA 4500W        | RESISTANCE            | HEATING ELEMENT         | HEIZKÖRPER           | RESISTENCIA                |
| 25   | TR1037 |      | 1    | COPRIRESISTENZA         | PROTECTION RESISTANCE | HEATING COVER           | HEIZKÖRPER SCHUTZ    | CUBRE RESISTENCIA          |
| 26   | TR0298 |      | 1    | PORTABULBO              | SIÈGE DE BULBE        | SEATING BULB            | KUGELSITZ            | PORTABULBO                 |
| 27   | 903250 |      | 1    | GUARNIZIONE             | JOINT                 | GASKET                  | DICHTUNG             | GUARNICIÓN                 |
| 28   | 902061 |      | 1    | GHIERA ½"               | VIROLE                | LOCK NUT                | NUT MUTTER           | ABRAZADERA                 |
| 29   | TR0268 |      | 1    | TRAPPOLA ARIA           | RESERVOIR AIR         | AIR TRAP                | LUFTFALLE            | TRAMPA DEL AIRE            |
| 30   | 903260 |      | 1    | GUARNIZIONE             | JOINT                 | GASKET                  | DICHTUNG             | GUARNICIÓN                 |
| 31   | 902100 |      | 1    | GHIERA 3/8"             | VIROLE                | LOCK NUT                | NUT MUTTER           | ABRAZADERA                 |
| 32   | 907272 |      | 1    | TUBO PRESSOSTATO        | TUYAU PRESSOSTAT      | PRESSURE SWITCH PIPE    | SCHLAUCH             | TUBO PRESÓSTATO            |
| 33   | 905272 |      | 1    | PRESSOSTATO             | PRESSOSTAT            | PRESSURE SWITCH         | DRUCHWAECHTER        | PRESÓSTATO                 |
| 34   | 906399 |      | 1    | SQUADRETTA PRESSOSTATO  | EQUERRE PRESSOSTAT    | PRESSURE SWITCH BRACKET | WINKEL DRUCHWAECHTER | ANGULAR PRESÓSTATO         |







# LAVASTOVIGLIE A NASTRO – RECUPERATORE DI CALORE

ED. 2000

**TAV. 18**

| Pos. | COD.    | COD. | Q.tà | DESCRIZIONE               | DENOMINATION        | DESCRIPTION        | BEZEICHNUNG          | DESCRIPCIÓN              |
|------|---------|------|------|---------------------------|---------------------|--------------------|----------------------|--------------------------|
| 1    | TR0511  |      | 1    | VENTILATORE 0,75 Hp       | VENTILATEUR         | FAN MOTOR          | VENTILATOR           | VENTILADOR               |
| 2    | TR0488  |      | 1    | SUPPORTO VENTILATORE      | SUPPORT VENTILATEUR | FAN MOTOR SUPPORT  | VENTILATOR TRÄGER    | SOPORTE VENTILADOR       |
| 3    | TR2175  |      | 1    | BATTERIA R.C.             | BATTERIE            | BATTERY            | BATTERIE             | BATERÍA                  |
| 4    | TR 2176 |      | 1    | CONVOGLIATORE             | CONVOYER            | CHANNEL            | ABLEITBLECH          | TRANSPORTADOR            |
| 5    | TR 2179 |      | 2    | SQUADRETTA PER PARATIA    | EQUERRE PAROI       | BULKHEAD BRACKET   | LUFTLEITBLECH WINKEL | ANGULAR PARA TAPIQUE     |
| 6    | TR 2371 |      | 2    | VALVOLA DI SFIATO 3/8"    | VANNE               | VALVE              | LUFTERVENTIL         | VALVULA DESCOMPRESIÓN    |
| 7    | TR 2451 |      | 2    | PROLUNGA 3/8"-1/4"        | PROLUNGEMENT        | EXTENSION CORD     | LEITUNGSTRECKER      | PROLONGACIÓN             |
| 8    | 906415  |      | 2    | TAPPO 3/4"                | BOUCHON             | PLUG               | PROPFEN              | TAPÓN                    |
| 9    | TR2123  |      | 2    | SPALLA CASSONE DX-SX      | SUPPORT CAISSON     | HOUSING SUPPORT    | VERKLEIDUNG HALTER.  | APOYO CAJÓN IZQUIER.     |
| 10   | TR2122  |      | 1    | SPALLA CASSONE ANT.       | SUPPORT CAISSON     | HOUSING SUPPORT    | VERKLEIDUNG HALTER.  | APOYO CAJÓN ANTERIOR     |
| 10   | TR2124  |      | 1    | SPALLA CASSONE POST.      | SUPPORT CAISSON     | HOUSING SUPPORT    | VERKLEIDUNG HALTER.  | APOYO CAJÓN POSTERIOR    |
| 11   | TR2125  |      | 1    | COPERCHIO                 | COUVERCLE           | COVER              | DECKEL               | TAPA                     |
| 12   | TR2180  |      | 2    | SQUADRETTA SUPP. BATTERIA | EQUERRE BATTERIE    | BATTERY BRACKET    | BATTERIE TRÄGER      | ANGULAR SOPORTE BATERÍA  |
| 13   | 907100  |      | 1    | TERMOSTATO                | THERMOSTAT          | THERMOSTAT         | THERMOSTAT           | TERMÓSTATO               |
| 14   | TR2144  |      | 1    | SQUADRETTA TERMOSTATO     | EQUERRE THERMOSTAT  | THERMOSTAT BRACKET | THERMOSTAT WINKEL    | ANGULAR TERMÓSTATO       |
| 15   | 903982  |      | 1    | MANOPOLA                  | BOUTON              | KNOB               | KNOPF                | EMPUÑADURA               |
| 16   | TR2128  |      | 1    | SCIVOLO                   | GLISSIERE           | TANK FILLER        | HINTERESLEITBLECH    | DESLIZADOR               |
| 17   | TR2178  |      | 1    | PARATIA ANTERIORE         | PAROI               | BULKHEAD           | LUFTLEITBLECH        | TABIQUE ANTERIOR         |
| 17   | TR2184  |      | 1    | PARATIA POSTERIORE        | PAROI               | BULKHEAD           | LUFTLEITBLECH        | TABIQUE POSTERIOR        |
| 18   | TR2308  |      | 2    | TUBO ZINCATO 3/4"-3/4"    | TUYAU               | PIPE               | RORH                 | TUBO CINCAO              |
| 19   | TR2439  |      | 2    | RACCORDO GOMITO F/F       | RACCORD             | PIPE FITTING       | ANSCHLUSSE           | EMPALME CODO             |
| 20   | TR2216  |      | 4    | RACCORDO PORTAGOMMA 3/4"  | RACCORD             | PIPE FITTING       | ANSCHLUSSE           | EMPALME GOME PARA PUERTA |
| 21   | 902460  |      | 4    | FASCETTA 26÷38            | COLLIER             | CLAMP              | SHELLE               | ABRAZADERA               |
| 22   | TR0469  |      | 2    | TUBO GOMMA 19x31          | TUYAU EN CAOUTCHOUC | RUBBER PIPE        | GUMMISCHLAUCH        | TUBO GOMA                |
| 23   | TR0020  |      | 3    | BOBINA 24V                | BOBINE              | COIL               | SPULE                | BOBINA                   |
| 24   | TR0090  |      | 2    | ELETTROVALVOLA 3/4"       | ELECTROVANNE        | ELECTRIC VALVE     | ELEKTROVENTIL        | VALVULA ELECTRICA        |
| 25   | TR2352  |      | 2    | NIPPLO RIDOTTO 1/2"-3/4"  | NIPPLES             | NIPPLE             | NIPPLE               | NIPLE REDUCCIÓN          |
| 26   | TR0371  |      | 1    | RIDUTTORE DI PRESSIONE    | REDUCTEUR           | PRESSURE REDUCER   | DRUCKMINDERER        | REDUCTOR DE PRECIÓN      |
| 27   | TR0399  |      | 1    | MANOMETRO PER RIDUTTORE   | MANOMETRE REDUCTEUR | PRESSURE GANGE     | DRUCKMESSER          | MANÓMETRO PARA REDUCTOR  |
| 28   | TR2333  |      | 2    | BOCCHETTONE CURVO 1/2"    | GOULOTTE            | PIPE UNION         | STUTZEN              | RAMPA DE DESAGÜE CURVO   |
| 29   | TR2322  |      | 4    | NIPPLO 1/2"               | NIPPLES             | NIPPLE             | NIPPLE               | NIPLE                    |
| 30   | TR0126  |      | 1    | FILTRO 2 VIE              | FILTRE              | FILTER             | FILTER               | FILTRO 2 DIRECCIONES     |
| 31   | TR0123  |      | 2    | FILTRO A CARTUCCIA        | FILTRE              | FILTER             | FILTER               | FILTRO CON CARTUCHO      |
| 32   | 903406  |      | 2    | GUARNIZIONE               | JOINT               | GASKET             | DICHTUNG             | GUARNICIÓN               |



