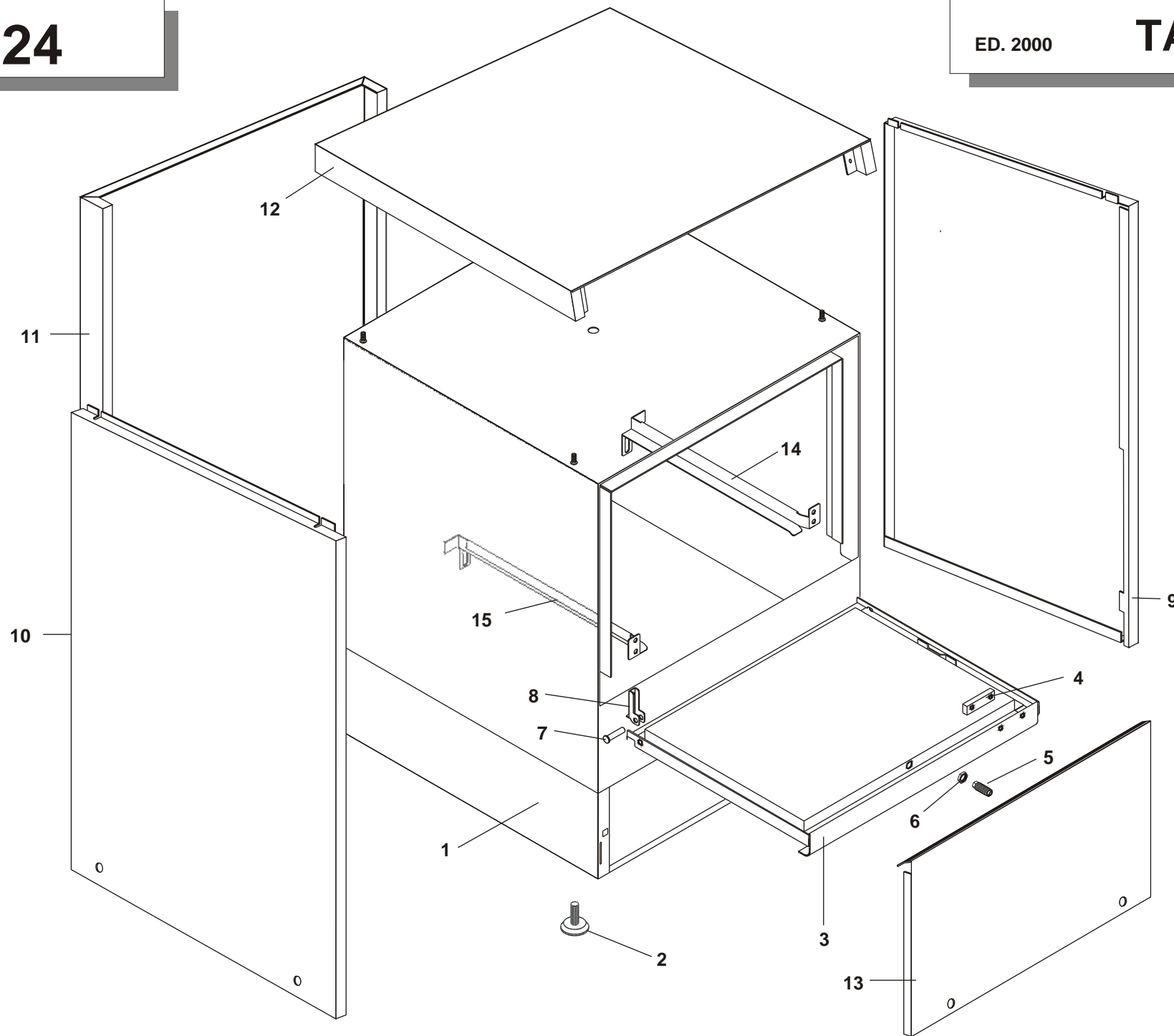


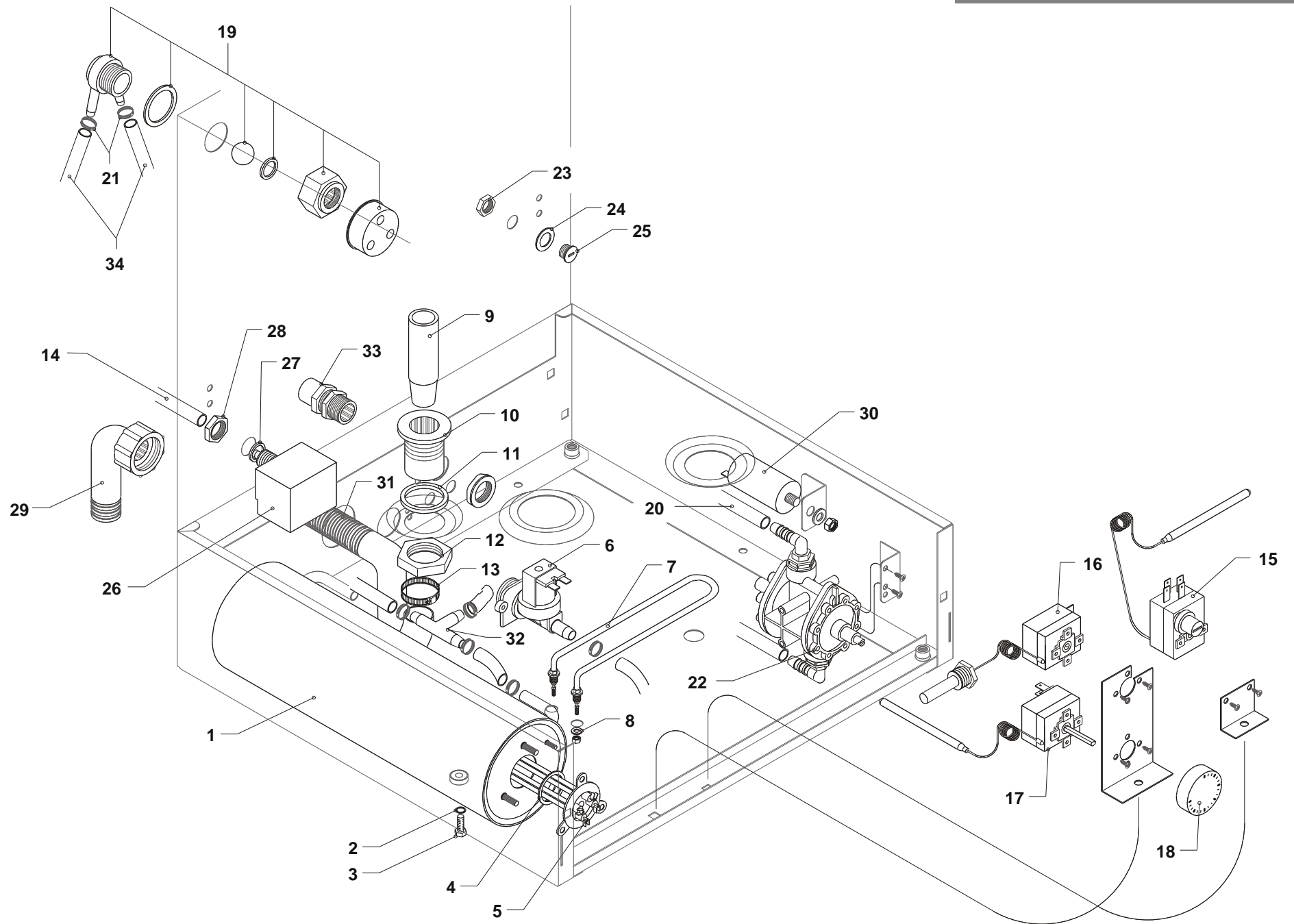
024

ED. 2000

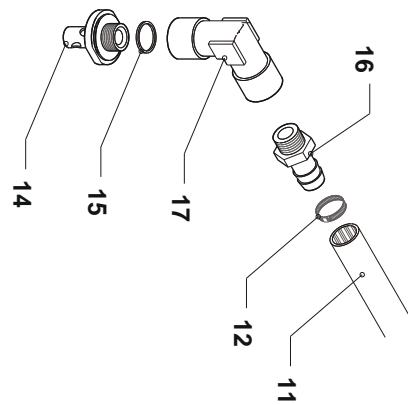
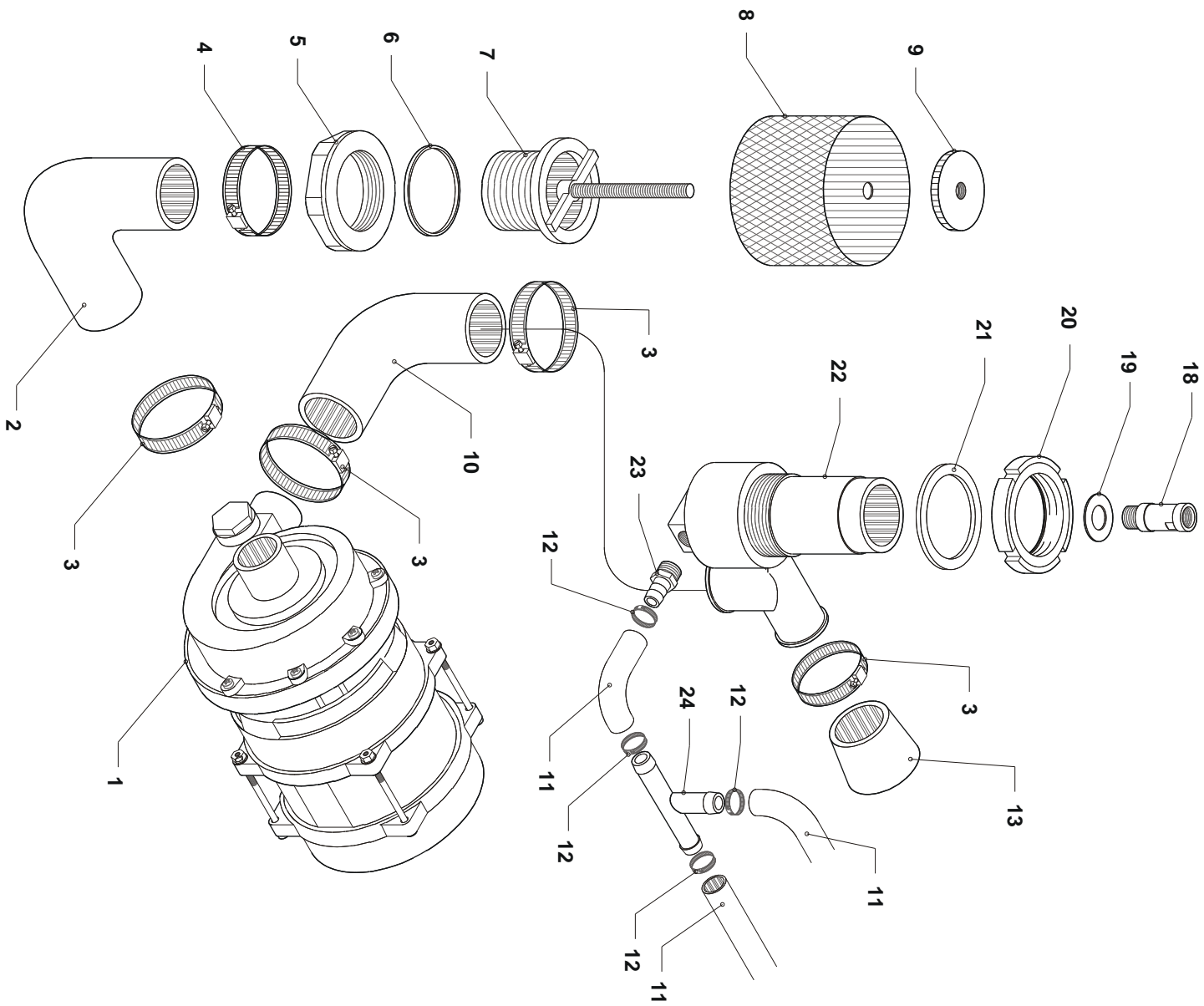
TAV. 1



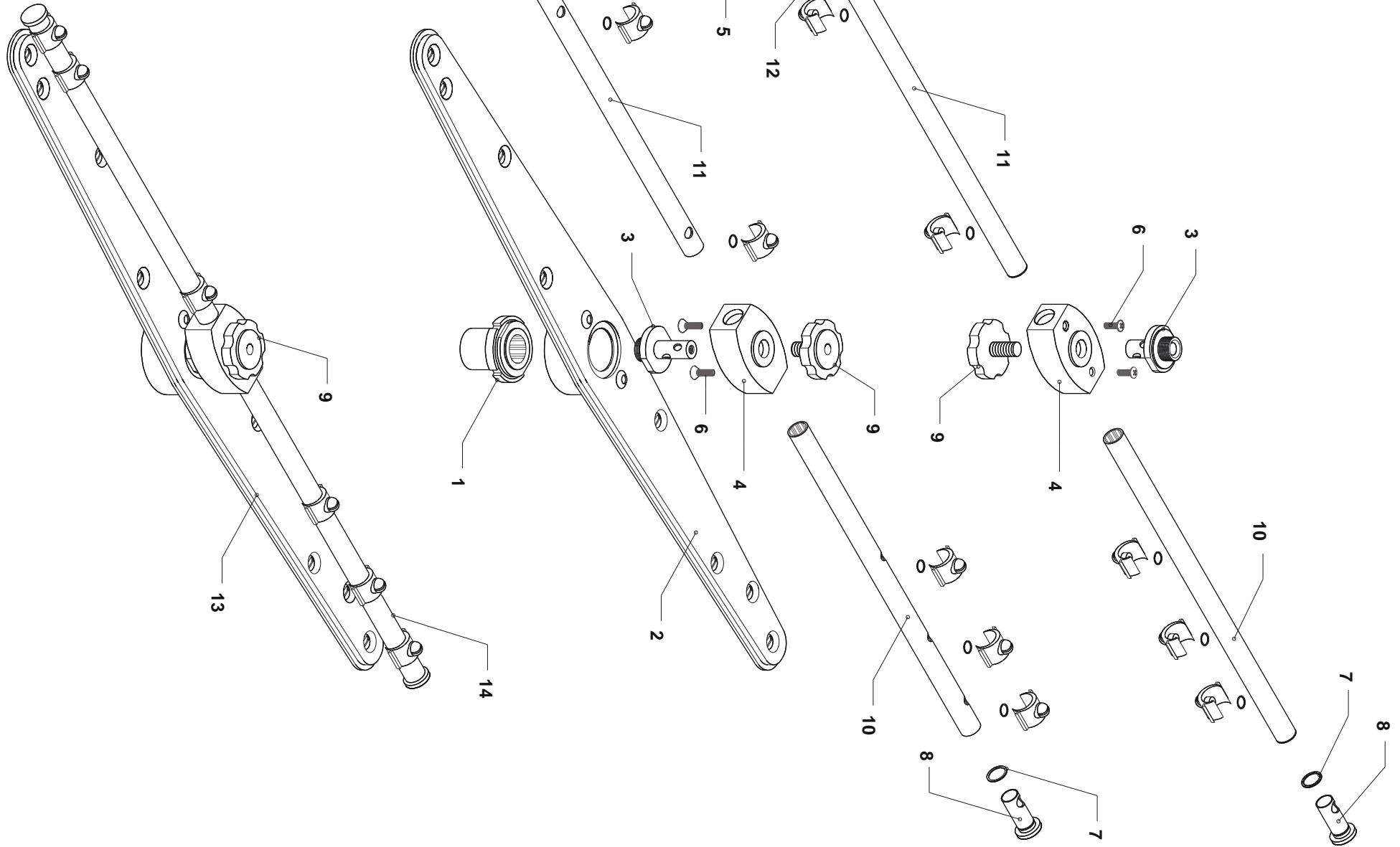
Pos.	COD.	Q.tà	DESCRIZIONE	DENOMINATION	DESCRIPTION	BEZEICHNUNG	DESCRIPCIÓN
1	903446	1	CARROZZERIA	CARROSSERIE	CABINET	KARROSSERIE	CARROCERIA
2	904980	4	PIEDINO REGOLABILE	PETIT PIED RÉGABLE	RUBBER LEG	EINSTELLBARESOCKEL	PIÉ REGULABLE
3	905071	1	PORTA	PORTE	DOOR	TÜR	PUERTA
4	TR0220	1	CUSTODIA CON MAGNETE	PROTECTION MAGNETO	COVER MAGNET	MAGNETSCHUTZ	ESTUCHE CON IMÁN
5	906121	1	SCROCCHETTO	CLIQUET FERMETURE PORTE	DOOR CATCH	SCHNAPPVERSCHLUSS	SCROCCHETO
6	902023	1	DADO SCROCCHETTO	ECROU DE CLIQUET	NUT CATCH	KLIKENMUTTER	TUERCA
7	904795	2	PERNO PORTA	TOUILLON DE LA PORTE	DOOR PIN	TÜRSCHARNIERESTIFT	PERNO PUERTA
8	901245	2	CERNIERA	PATTE	DOOR SUPPORT	SCHARNIER	BISAGRA
9	904585	1	PANNELLO LATERALE DX	PANNEAU DROITE	RIGHT PANEL	RECHTE VERKLEIDUNG	PANEL DERECHO LATERAL
10	904586	1	PANNELLO LATERALE SX	PANNEAU GAUCHE	LEFT PANEL	LINKE VERKLEIDUNG	PANEL IZQUIERDO LATERAL
11	904587	1	PANNELLO POSTERIORE	PANNEAU POSTERIEUR	BACK PANEL	HINTERE VERKLEIDUNG	PANEL POSTERIOR
12	904725	1	PANNELLO SUPERIORE	PANNEAU SUPERIEUR	UPPER SIDE PANEL	OBERE VERKLEIDUNG	PANEL SUPERIOR
13	904448	1	PANNELLO INFERIORE	PANNEAU INFERIEUR	LOWER PANEL	UNTERE VERKLEIDUNG	PANEL INFERIOR
14	901673	1	GUIDA CESTELLI DX	COULISSE PANIER DROITE	RIGHT BASKET GUIDE	KORBFÜHRUNG	GUIA DERECHA CANASTOS
15	901674	1	GUIDA CESTELLI SX	COULISSE PANIER GAUCHE	LEFT BASKET GUIDE	KORBFÜHRUNG	GUIA IZQUIERDA CANASTOS



Pos.	COD.	Q.tà	DESCRIZIONE	DENOMINATION	DESCRIPTION	BEZEICHNUNG	DESCRIPCIÓN
1	900355	1	BOILER	CHAUFFE EAU	BOILER	HEISSWASSERSPEICHER	BOILER
2	904430	1	O-RING	O-RING	O-RING	O-RING	O-RING
3	907820	1	VITE	VIS	SCREW	SCHRAUBE	TORNILLO
4	907981	1	O-RING	O-RING	O-RING	O-RING	O-RING
5	905521	1	RESISTENZA 3000 W	RESISTANCE	HEATING ELEMENT	HEIZKÖRPER	RESISTENCIA
6	902390	1	ELETTRIVALVOLA A 1 VIA	SOUPAPE ELECTRIQUE	ELECTRIC VALVE	ELEKTROVENTIL	VALVULA ELECTRICA
7	905771	1	RESISTENZA 1600 W	RESISTANCE	HEATING ELEMENT	HEIZKÖRPER	RESISTENCIA
8	904391	2	O-RING	O-RING	O-RING	O-RING	O-RING
9	907280	1	TROPPO PIENO	NIVEAU	OVER FLOW	VEBERLAUF	DAMSIADO LLENO
10	905440	1	RACCORDO SCARICO	RACCORD DÉCHARGÉ	PIPE FITTING FOR OUTLET	ABLAUFANSCHLUSS	EMPALME DESAGOTE
11	904350	1	O-RING	O-RING	O-RING	O-RING	O-RING
12	902070	1	GHIERA 1" GAS	FRETTE	RING-NUT	NUT-MUTTER	ABRAZADERA
13	902460	1	FASCETTA Ø 26 ÷ 38	COLLIER	CLAMP	SHELLE	GUARNICIÓN
14	907272	1	TUBETTO PRESSOSTATO	TUYAU PRESSOSTAT	PRESSURE SWITCH PIPE	SCHLAUCH	TUBO PRESÓSTATO
15	907125	1	TERMOSTATO DI SICUREZZA	THERMOSTAT	THERMOSTAT	THERMOSTAT	TERMÒSTATO DE SEGURIDAD
16	907124	1	TERMOSTATO VASCA	THERMOSTAT DU PANIER	TANK THERMOSTAT	WANNER THERMOSTAT	TERMÒSTATO PILETA
17	907100	1	TERMOSTATO 0° - 90°	THERMOSTAT	THERMOSTAT	THERMOSTAT	TERMÒSTATO
18	903982	1	MANOPOLA	BOUTON	KNOB	KNOPF	EMPUÑADURA
19	TR2433	1	VALVOLA ANTIRIFLUSSO	VALVE	VALVE	VENTIL	VALVULA
20	907270	1	TUBO ASP. BRILLANTE	TUYAU	PIPE	SCHLAUCH	TUBO DE ASPIRACION ABRILL.
21	902440	8	FASCETTA 13 ÷ 20	COLLIER	CLAMP	SHELLE	ABRAZADERA
22	902199	1	DOSATORE	DOSEUR	DOSING DEVICE	DOSIERSATZ	DOSIFICADOR
23	902679	1	GHIERA PG. 7	FRETTE	RING-NUT	NUT-MUTTER	ABRAZADERA
24	903351	1	GUARNIZIONE	JOINT	GASKET	DICHTUNG	GUARNICIÓN
25	902678	1	TAPPO PG. 7	BOUCHON	PLUG	FROPFEN	TAPÒN
26	907252	1	TRAPPOLA ARIA	RESERVOIR AIR	AIR TRAP	LUFTFALLE	TRAMPA DEL AIRE
27	903260	1	GUARNIZIONE 3/8" GAS	JOINT	GASKET	DICHTUNG	GUARNICIÓN
28	902100	1	GHIERA 3/8" GAS	VIROLE	LOCK-NUT	NUT-MUTTER	ABRAZADERA
29	907344	1	TUBO DI CARICO	TUYAU D'ENTRÉE DE L'EAU	INLET PIPE	WASSERZUFÜHRROHR	TUBO
30	901744	1	CONDENSATORE 6,3µF	CONDENSATEUR	CONDENSER	KONDENSATOR	CONDENSADOR
31	907440	1	TUBO DI SCARICO	TUYAU DE DÉCHARGÉ	OUTLET HOSE	ABLAUFSCHLAUCH	TUBO DESAGOTE
32	905382	1	RACCORDO A 3 VIE	RACCORD	PIPE FITTING	ANSCHLUSSE	EMPALME
33	902687	1	PRESSACAVO PG. 13,5	FIXAGE DU CABLE D'ALIM.	FIXING CABLE	KABELBEFESTIGER	PRESACAVO
34	907295	4	TUBO GOMMA 12X19,5	TUYAU EN CAOUTCHOUC	RUBBER HOSE	GUMMISCHLAUCH	TUBO GOMA



Pos.	COD.	Q.tà	DESCRIZIONE	DENOMINATION	DESCRIPTION	BEZEICHNUNG	DESCRIPCIÓN
1	902231	1	POMPA HP 0,20	POMPE	PUMP	PUMPE	BOMBA
2	903674	1	MANICOTTO ASPIRAZIONE	MANCHON D'ASPIRATION	INTAKE PIPE FITTING	ANSAUGANSHLUSSE	PALANCA DE ASPIRACIÓN
3	902460	4	FASCETTA Ø 26 ÷ 38	COLLIER	CLAMP	SHELLE	ABRAZADERA
4	902441	1	FASCETTA Ø 38 ÷ 50	COLLIER	CLAMP	SHELLE	ABRAZADERA
5	902080	1	GHIERA 1" ½	VIROLE	LOCK-NUT	NUT-MUTTER	ABRAZADERA
6	904380	1	O-RING	O-RING	O-RING	O-RING	O-RING
7	905380	1	RACCORDO ASPIRAZIONE	RACCORD D'ASPIRATION	INTAKE PIPE FITTING	ANSAUGANSHLUSSE	EMPALME DE ASPIRACIÓN
8	902580	1	FILTRO	FILTRE	FILTER	FILTER	FILTRO
9	902850	1	GHIERA	VIROLE	LOCK-NUT	NUT-MUTTER	ABRAZADERA
10	903665	1	MANICOTTO MANDATA	MANCHON DE REFAULEM.	OUTLET ELBOW	AUSLAMUFFE	PALANCA DE MANDO
11	907360	3	TUBO GOMMA Ø 10x17	TUYAU EN CAOUTCHOUC	RUBBER HOSE	GUMMISCHLAUCH	TUBO GOMA
12	902440	5	FASCETTA 13 ÷ 20	COLLIER	CLAMP	SHELLE	ABRAZADERA
13	902351	1	TAPPO	BOUCHON	PLUG	FROPFEN	TAPÓN
14	904760	1	PERNO GIRANTE RISCIACQUO	TOURILLON DE RINÇAGE	RINSE PIN	SPÜLLSTIFT	PERNO RODETE ENJUAGUE
15	903351	1	GUARNIZIONE	JOINT	GASKET	DICHTUNG	GUARNICIÒN
16	908128	1	RACCORDO PORTAGOMMA ¼"	RACCORD	PIPE FITTING	ANSCHLUSS	EMPALME
17	908120	1	RACCORDO A GOMITO ¼"	RACCORD	PIPE FITTING	ANSCHLUSS	EMPALME
18	904765	1	PERNO LAVAGGIO	TOURILLON DE LAVAGE	WASH PIN	WASCHSTIFT	PERNO LAVADO
19	906002	1	RONDELLA	RONDELLE	WASHER	UNTERLEGSCHIEBE	ARANDELA
20	900035	1	GHIERA 1" ½	VIROLE	LOCK-NUT	NUT-MUTTER	ABRAZADERA
21	903301	1	GUARNIZIONE	JOINT	GASKET	DICHTUNG	GUARNICIÒN
22	900031	1	MOZZO INFERIORE	MOYEU INFERIEUR	INFERIOR HUB	OBERE	BUJE INFERIOR
23	906003	1	RACCORDO PORTAGOMMA	RACCORD	PIPE FITTING	ANSCHLUSSE	EMPALME
24	905382	1	RACCORDO A 3 VIE	RACCORD	PIPE FITTING	ANSCHLUSSE	EMPALME



024

ED. 2000

TAV. 5

