

**LAVAVAJILLAS
SC-1200**
**DISHWASHERS
SC-1200**
**LAVE-VAISSELLE
SC-1200**

| N. | Denominación | Description | Dénomination | Cod. |
|----|--|--------------------------------------|---|---------|
| 1a | Embellecedor 4 mandos SC-1200 | 4 controls board SC-1200 | Cache tableau 4 commandes SC-1200 | 2310658 |
| 1b | Embellecedor 6 mandos SC-1200BP | 6 controls board SC-1200BP | Cache tableau 6 commandes SC-1200BP | 2310756 |
| 2 | Faldon frontal SC-1200 | Front panel SC-1200 | Panneau inférieur frontal | 2310606 |
| 3a | Suplemento cableado SC-1200 | Wiring supplement SC-1200 | Supplément câblage SC-1200 | 2310780 |
| 3b | Cableado SC-1200 | Wiring SC-1200 | Câblage SC-1200 | 2310666 |
| 4 | Filtro aspiración SC-1200 | Intake filter SC-1200 | Filtre d'aspiration SC | 2310636 |
| 5 | Conj. bornes conexión | Connector set | Ens. connecteur | 2306179 |
| 6 | Conj. completo bisagras puerta | Door hinge-joint set | Ensemble charnière de porte | 2309897 |
| 7 | Conj. embellecedor barra SC | Lifting bar adornment set SC | Ensemble cache barre SC | 2310669 |
| 8 | Conj. guía campana | Hood guide set | Ensemble glissière cloche supérieure | 2309893 |
| 9 | Conj. tubo aclarado | Rinsing tube set | Ensemble tube de rinçage | 2310744 |
| 10 | Manguera D12/2460mm. | Hose D12/2460 mm | Durite D12/2460 mm | 2310737 |
| 11 | Conexión en T (2) | T connector (2) | Raccord en T (2) | 2309583 |
| 12 | Presostato 130-40mm | Pressurestat 130-40 mm | Pressostat 130-40 mm | 2302816 |
| 13 | Conj. campana presostato | Pressurestat set | Ensemble presostat | 2309200 |
| 14 | Conj. acoplador inferior | Bottom coupling set | Ens. accouplement inférieur | 2310748 |
| 15 | Conj. difusores lav. 1200 | Washing dispersers set 1200 | Ensemble diffuseurs de lavage | 2306198 |
| 16 | Conj. difusor aclarado 1200 | Rinsing dispersers set 1200 | Ensemble diffuseur rinçage 1200 | 2306202 |
| 17 | Conj. tornillo hélice inox M.8 | Spiral screw M8 | Ensemble vis inox M-8 tourniquet | 2309077 |
| 18 | Conj. cruceta difusores 1200 | Dispersers body set 1200 | Ensemble corps diffuseurs 1200 | 2306378 |
| 19 | Conj. distribuidor de aclarado | Rinsing distributor set | Ens. distributeur de rinçage | 2309859 |
| 20 | Conj. difusor+tapon 1200 | Washing dispersers+plugs set | Ensemble diffuseurs+bouchons lavage | 2309849 |
| 21 | Conj. difusores+tapon aclarado(lv.1100) | Rinsing dispersers+plugs set lv-1100 | Ens. diffuseurs+bouchons de rinçage | 2309080 |
| 22 | Conj. resist. cuba 3 kw (750,750a) | Tank element set 3 kw. | Ensemble résistance cuve 3 kw. | 2309094 |
| 23 | Junta goma resist. cuba (750,750a) | Rubber seal tank element (750,750a) | Joint caoutchouc résist cuve (750,750a) | 2309055 |
| 24 | Conj. rebosadero SC | Drain plug set SC | Ensemble bloqueur d'eau SC | 2310615 |
| 25 | Motobomba 2 HP SC-1200 | 2 HP Motorpump SC-1200 | Motopompe 2 HP SC-1200 | 2310641 |
| 26 | Conj. carcasa motob. 2HP | Motorpump body set | Ensemble corps motopompe | 2319045 |
| 27 | Conj. acces.bomba 2HP | Motorpump accessories set | Ensemble accessoires de motopompe | 2309863 |
| 28 | Conj. codo de aspiración | Intake elbow set | Ensemble coude d'aspiration | 2309866 |
| 29 | Contacto b16-3001 220V Hz-50 | Contacto b16-3001 220 v. Hz-50 | Contacteur b16-3001 220 v. Hz-50 | 2306242 |
| 30 | Pata lavavajillas SC-1200 | Diswasher feet SC-1200 | Pied lave-vaisselle SC-1200 | 2310659 |
| 31 | Conj. calderín tuerca+arandela | Nut+washer boiler set | Ens. chaudière écrou + rondelle | 2310693 |
| 32 | Conj. torreta SC-1200 | Turret set SC-1200 | Tourrelle accouplement inférieur | 2310639 |
| 33 | T lavado SC | Washing tube SC | Tube lavage SC | 2310620 |
| 34 | Conj. campana SC | Hood set SC | Ensemble cloche SC | 2310600 |
| 35 | Conj. barra elevación SC-1200 | Lifting bar set SC-1200 | Ens. barre élévation capot | 2310642 |
| 36 | Junta cierre campana | Lid gasket | Joint calage | 2306293 |
| 37 | Filtro dosificador | Doser filter | Filtre de doseur | 2302842 |
| 38 | Conj. filtro superior | Top filter set | Ens. pré-filtre de cuve | 2310699 |
| 39 | Contacto b9-4000 220 v. Hz-50 | Contacto b9-4000 220 v. Hz-50 | Contacteur b9-4000 220 v. Hz-50 | 2600123 |
| 40 | Programador SC-1200 | Programmer SC-1200 | Programmeur SC-1200 | 2310458 |
| 41 | Conj. termostato de aclarado | Rinsing thermostat set | Ensemble thermostat de rinçage | 2309068 |
| 42 | Conj. dosificador abrillantador | Dosing set | Ensemble doseur | 2305055 |
| 43 | Conj. membrana-válvulas | Dosing membrane-valves set | Ensemble membrane-valves | 2309086 |
| 44 | Conj. resistencia 9 kw 1200 | Boiler element set 9 kw. | Ensemble résistance chaudière 9 kw. | 2309858 |
| 45 | Junta goma resistencia calderín (2) | Boiler element subber seal (2) | Joint caoutchouc résist chaudière (2) | 2309051 |
| 46 | Conj. electroválvula 1 vía | Electrovalve 1 v. set | Ensemble electrovalve 1 voie | 2304941 |
| 47 | Conj. manguera entrada agua | Water entry tube set | Ensemble tuyau arrivée d'eau | 2309062 |
| 48 | Conj. dosificador de detergente variable | Variable detergent dosing set | Ensemble doseur détergent variable | 2310293 |
| 49 | Conj. codo antirretorno desagüe | Non-return drain elbow set | Ens. coude anti-retour vidange | 2307503 |
| 50 | Racord codo | Elbow coupling | Raccord coude | 4305756 |
| 51 | Conj. válvulas dosificador (4) | Doser valves set (4) | Ensemble valves doseur (4) | 2309085 |
| 52 | Maneta de termostato (2) | Thermostat knob (2) | Commande de thermostat (2) | 2309065 |
| 53 | Termostato seguridad calderín | Boiler safety thermostat | Thermostat sécurité chaudière | 2302852 |
| 54 | Junta goma tubo lavado | Washing tube rubber joint | Joint caoutchouc tuyau lavage | 2306298 |

**LAVAVAJILLAS
SC-1200**

**DISHWASHERS
SC-1200**

**LAVE-VAISSELLE
SC-1200**

| N. | Denominación | Description | Dénomination | Cod. |
|-----|------------------------------------|------------------------------------|-------------------------------------|---------|
| 55 | Conj. acoplador superior | Top coupling set | Ens. accouplement supérieur | 2310747 |
| 56 | Codo lavado SC | Washing elbow SC | Coude lavage SC | 2310607 |
| 57 | Conj. racord bomba abrillantador | Rinse aid pump adapter set | Ens. raccord pompe produit rinçage | 2306152 |
| 58 | Soporte rebosadero SV/SP/SC | Drain plug holder SV/SP/SC | Support bloqueur d'eau | 2310242 |
| 59 | Filtro colector SV/SP | Drain filter SV/SP | Filtre collecteur SV/SP | 2310241 |
| 60 | Conj. colector SV/SP | Drain pump SV/SP | Ensemble bouche d'écoulement SV/SP | 2310692 |
| 61 | Varilla tensor de muelle | Spring tensor rod | Tige tendeur ressort | 2306104 |
| 62 | Gancho fijación muelle SC-1200 | Spring holder hook SC-1200 | Crochet fixation ressort | 2310608 |
| 63 | Muelle elevador SC-1200 | Lifting spring SC-1200 | Ressort relevage capot | 2310609 |
| 64 | Conj. casquillo cruceta SV/SP | Dispensers body washer SV/SP | Ensemble bague cruceta SV/SP | 2310708 |
| 65 | Conmutador unipolar negro | Black unipolar commutator | Commutateur unipolaire noir | 2310402 |
| 66 | Conj. juntas colector | Collector joints set | Ensemble joints collecteur | 2310753 |
| 67a | Tapa ciega mandos SV-20/21/SP-23 | Blind control cover SV-20/21/SP-23 | Panneau commandes SV-20/21/SP-23 | 2310405 |
| 67b | Pulsador unipol. negro SV/SP | Black button SV/SP | Interrupteur unipolaire noir SV/SP | 2310400 |
| 68 | Piloto blanco SV/SP | White lamp SV/SP | Lampe blanche SV/SP | 2310401 |
| 69 | Interruptor bipolar luminoso SV/SP | Main-light switch SV/SP | Interrupteur bip. lumineux SV-SP | 2310403 |
| 70 | Relé e.300 | Relay e-300 | Relais e-300 | 4301854 |
| 71 | Filtro supresión interferencias | Interference supressor filter | Filtre suppression interférence | 2310334 |
| 72 | Tubo manguera desagüe | Drain hose tube | Tuyau d'écoulement | 2305113 |
| 73 | Conj. soporte cesta SC | Basket holder set | Ensemble support panier SC | 2310740 |
| 74 | Conj. codo desagüe | Drain elbow set | Ens. coudes d'écoulement | 2310106 |
| 75 | Tubo aspiración bomba vaciado | Drain pump sucking hose | Tuyau d'aspiration pompe de vidange | 2310294 |
| 76 | Bomba vaciado 70 L/M | 70 L/M Drain pump | Pompe de vidange 70 L/M | 2310784 |
| 77 | Tubo trasero | Back tube | Durite arrière | 2310623 |
| 78 | Detector magnético SC | Magnetic detector SC | Détecteur magnétique | 2310471 |
| 79 | Iman SC | Magnet SC | Aiman SC | 2310472 |
| 80 | Tubo silicona dosificador | Doser silicone tube | Tube silicone doseur | 4306388 |
| 81 | Conj. tubos dosificador SC | Dosifying tube set SC | Ensemble tubes doseur SC | 2310696 |
| 82 | Juntas acoplador | Coupling joints | Joints accouplement | 2309064 |
| 83 | Tapa ciega mandos SV-20/21/SP-23 | Blind control cover SV-20/21/SP-23 | Panneau commandes SV-20/21/SP-23 | 2310405 |
| 84 | Conj. tapón grande | Big plug set | Ens. gros bouchon | 2309076 |

 **sammic**

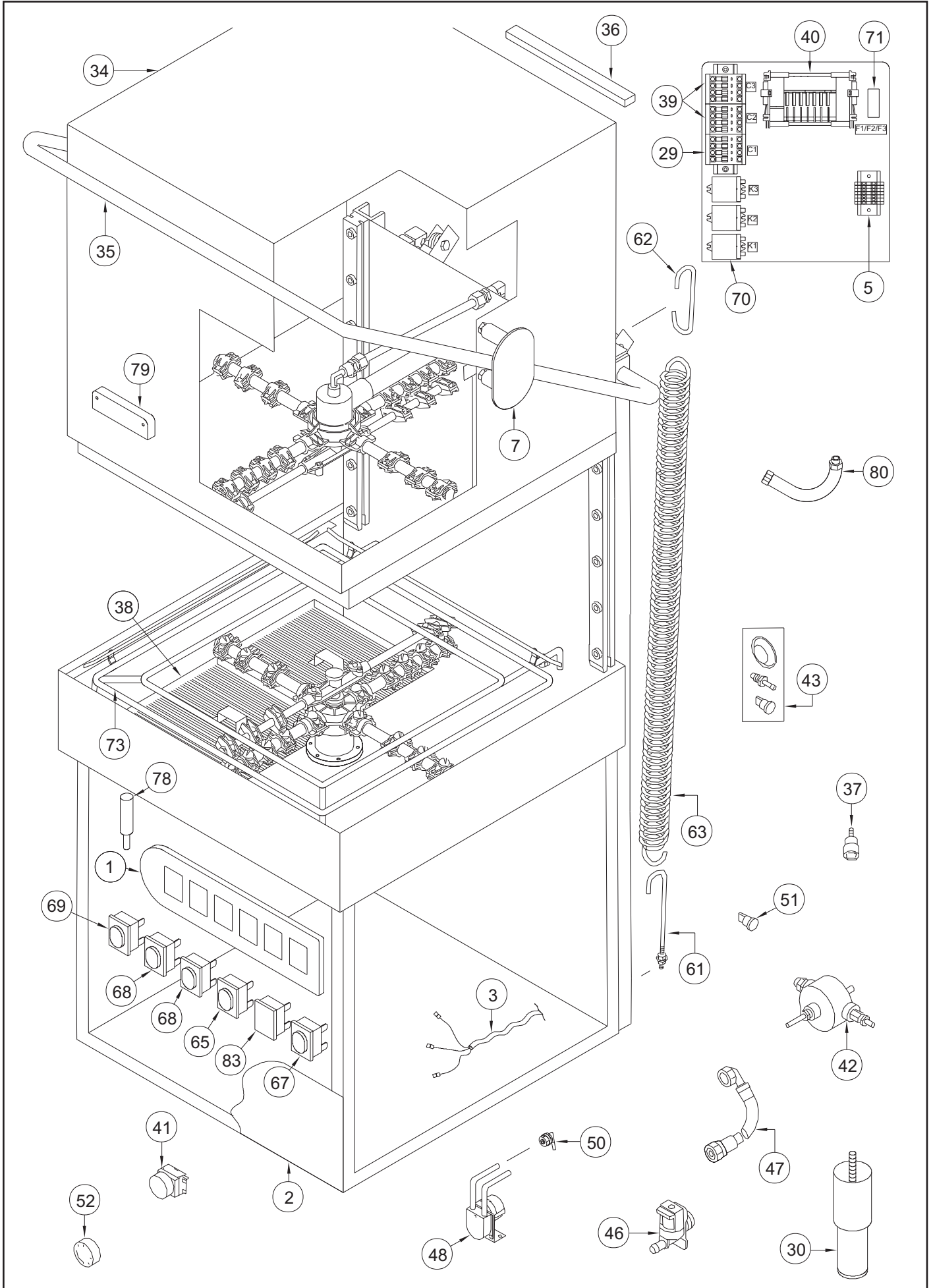


UNE-EN ISO 9001

Nota: Todas estas especificaciones están sujetas a cambio sin previo aviso, debido a la permanente mejora del producto.

Note: These specifications are subject to change without notice due to continuous improvement.

Note: SAMMIC se réserve le droit de modifier et d'améliorer ses fabrications sans préavis.



SC-1200
