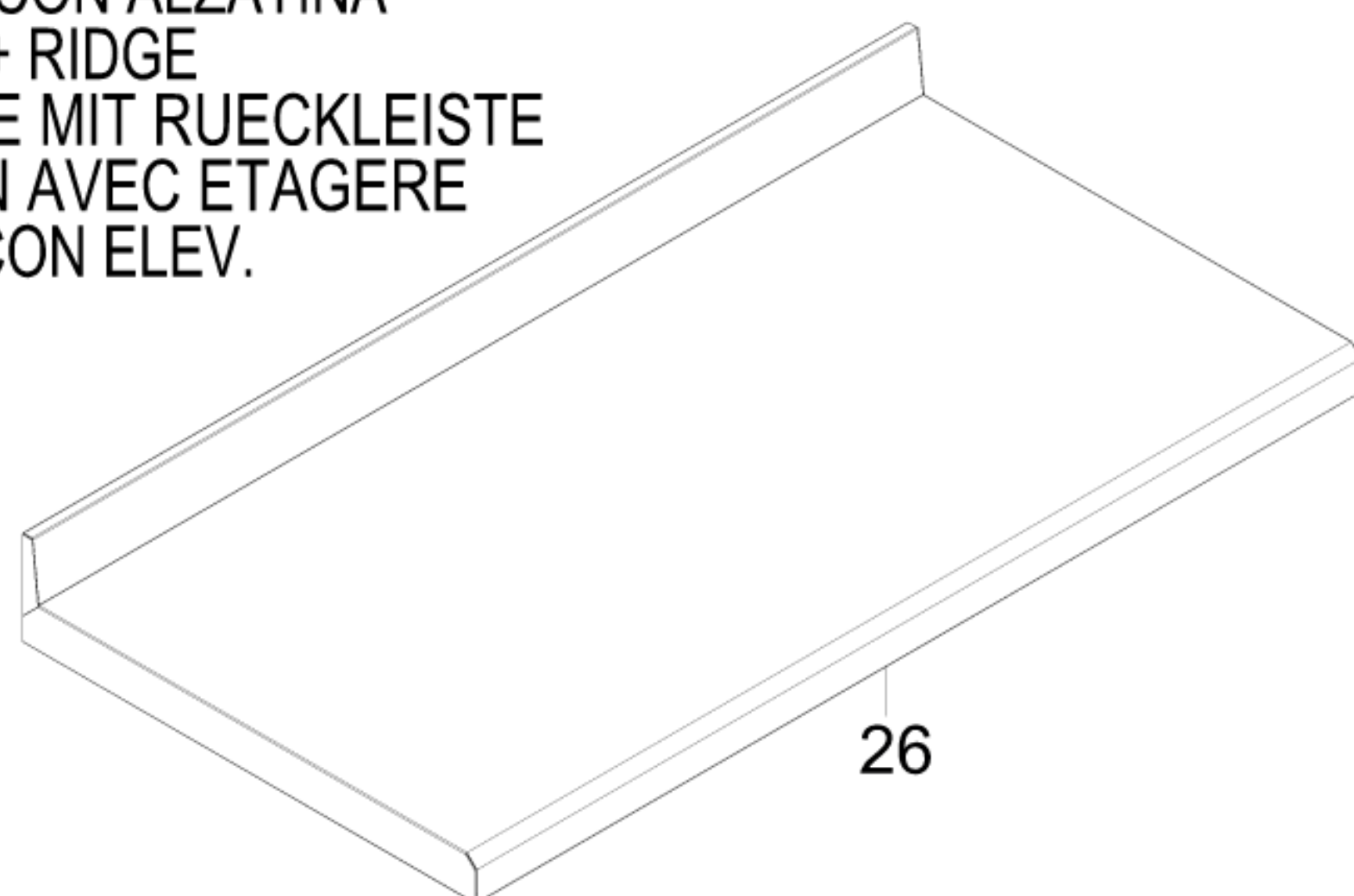
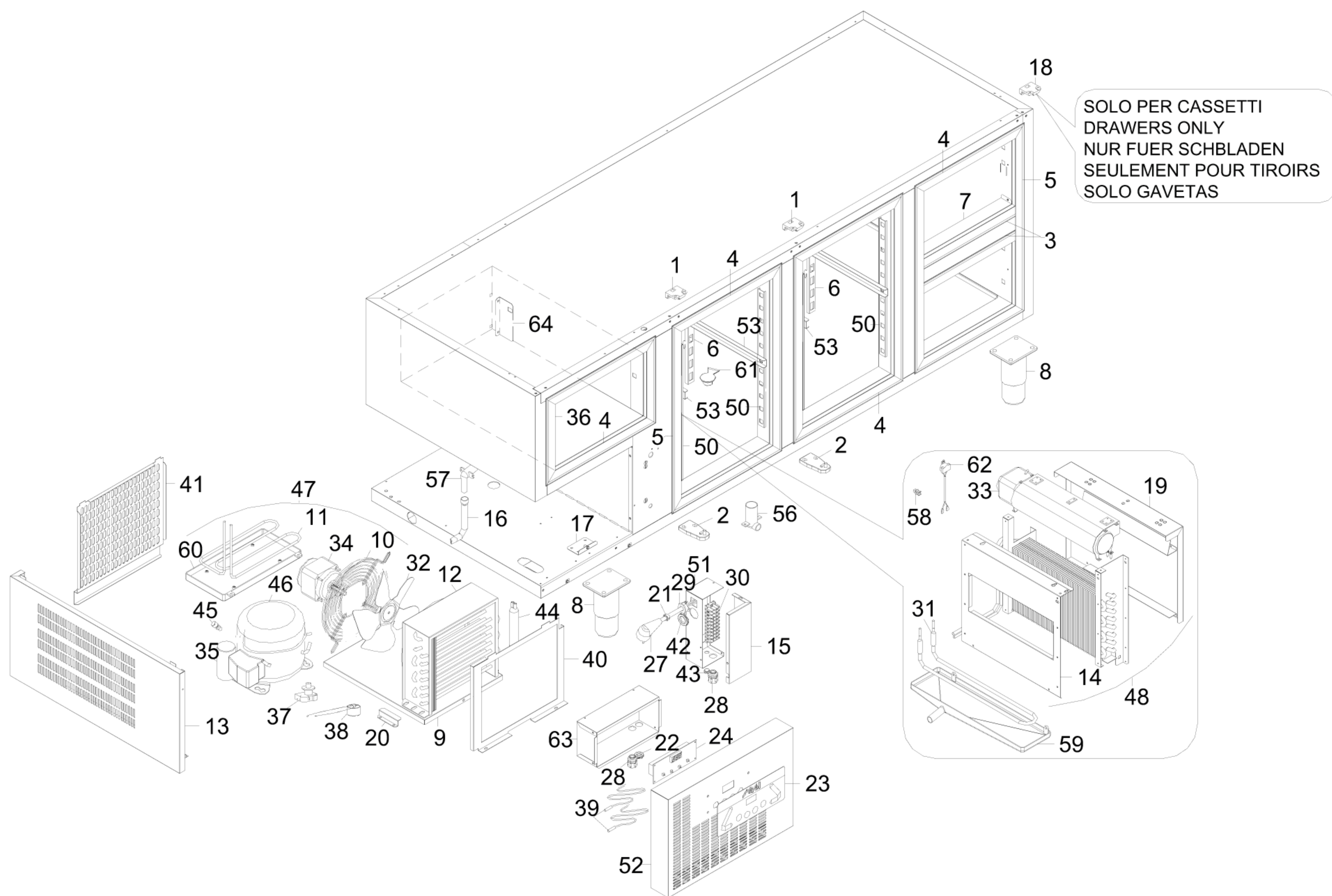
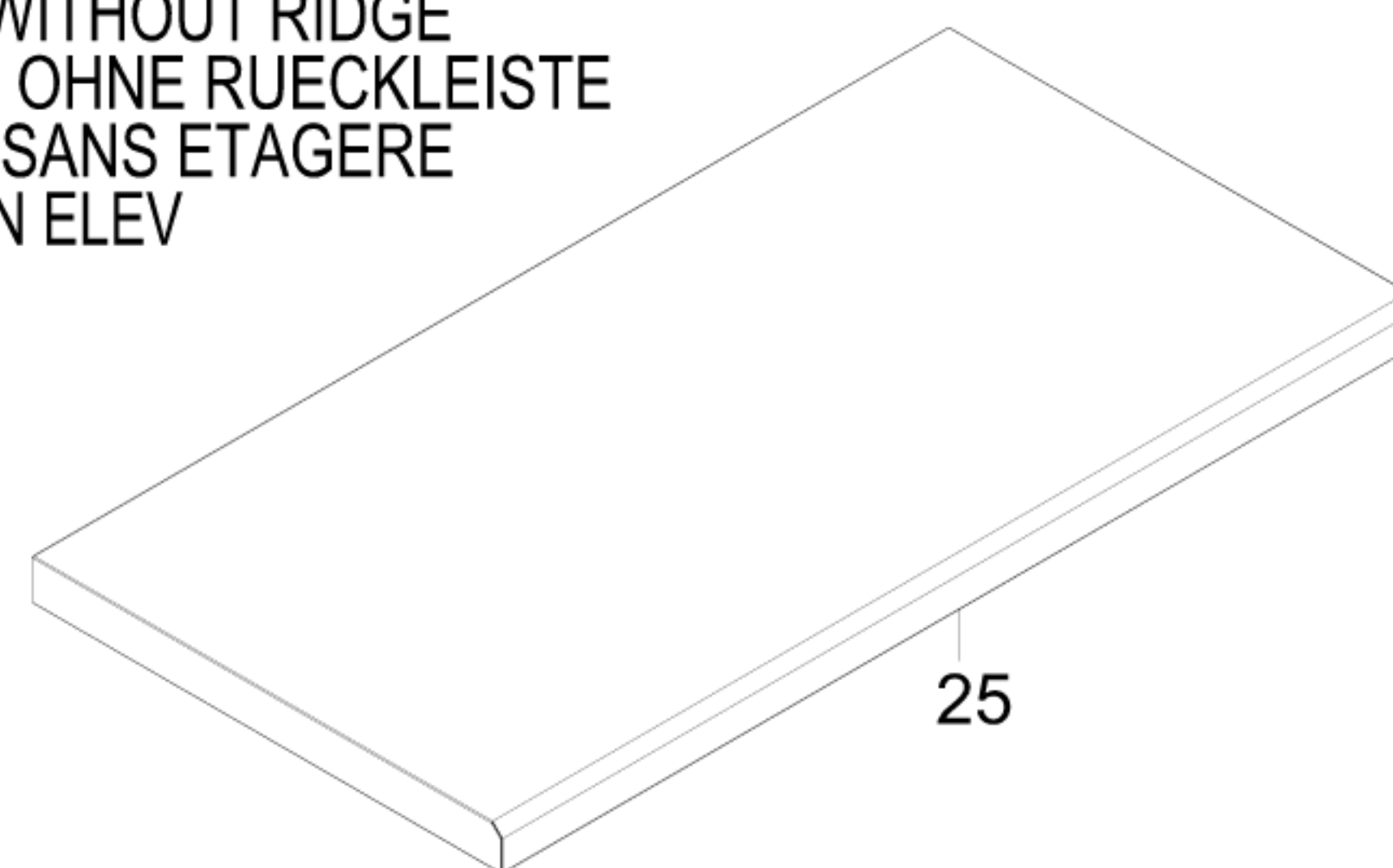


/A=PIANO CON ALZATINA
 /A=SHELF+ RIDGE
 /A=PLATTE MIT RUECKLEISTE
 /A=RAYON AVEC ETAGERE
 /A=TOPE CON ELEV.



/M=PIANO SENZA ALZATINA
 /M=SHELF WITHOUT RIDGE
 /M=PLATTE OHNE RUECKLEISTE
 /M=RAYON SANS ETAGERE
 /M=TOPE SIN ELEV



Modello Typ Model Modele Modelo

| | | KTIA KTIAA KTIAM | KTIA2 KTIA2A KTIA2M | KTIA11 KTIA11A KTIA11M | KTIA13 KTIA13A KTIA13M | KTIB KTIBA KTIBM | KTIB2 KTIB2A KTIB2M | KTIB4 KTIB4A KTIB4M | KTIB11 KTIB11A KTIB11M | KTIB13 KTIB13A KTIB13M | KTIC KTICA KTICM | KTIC2 KTIC2A KTIC2M | KTIC4 KTIC4A KTIC4M | KTIC11 KTIC11A KTIC11M | KTIC22 KTIC22A KTIC22M | KTIC13 KTIC13A KTIC13M |
|--|--------|------------------------|---------------------------|------------------------------|------------------------------|------------------------|---------------------------|---------------------------|------------------------------|------------------------------|------------------------|---------------------------|---------------------------|------------------------------|------------------------------|------------------------------|
| Num.cassetti | 1/2 | 1 | 1 | 1 | 1 | 1 | 1 | 1 | 1 | 1 | 1 | 1 | 1 | 1 | 1 | 1 |
| Schublad | 1/2SUP | - | 1 | - | - | - | 1 | 2 | - | - | - | 1 | 2 | - | - | - |
| Drawers | 1/2INF | - | 1 | - | - | - | 1 | 2 | - | - | - | 1 | 2 | - | - | - |
| Tiroirs | 1/3 | - | - | 1 | 3 | - | - | - | 1 | 3 | - | - | - | 1 | 2 | 3 |
| Gabetas | 2/3 | - | - | 1 | - | - | - | - | 1 | - | - | - | - | 1 | 2 | - |
| Porte Türen Doors Portes Puertas | | 2 | 1 | 1 | 1 | 3 | 2 | 1 | 2 | 2 | 4 | 3 | 2 | 3 | 2 | 3 |

