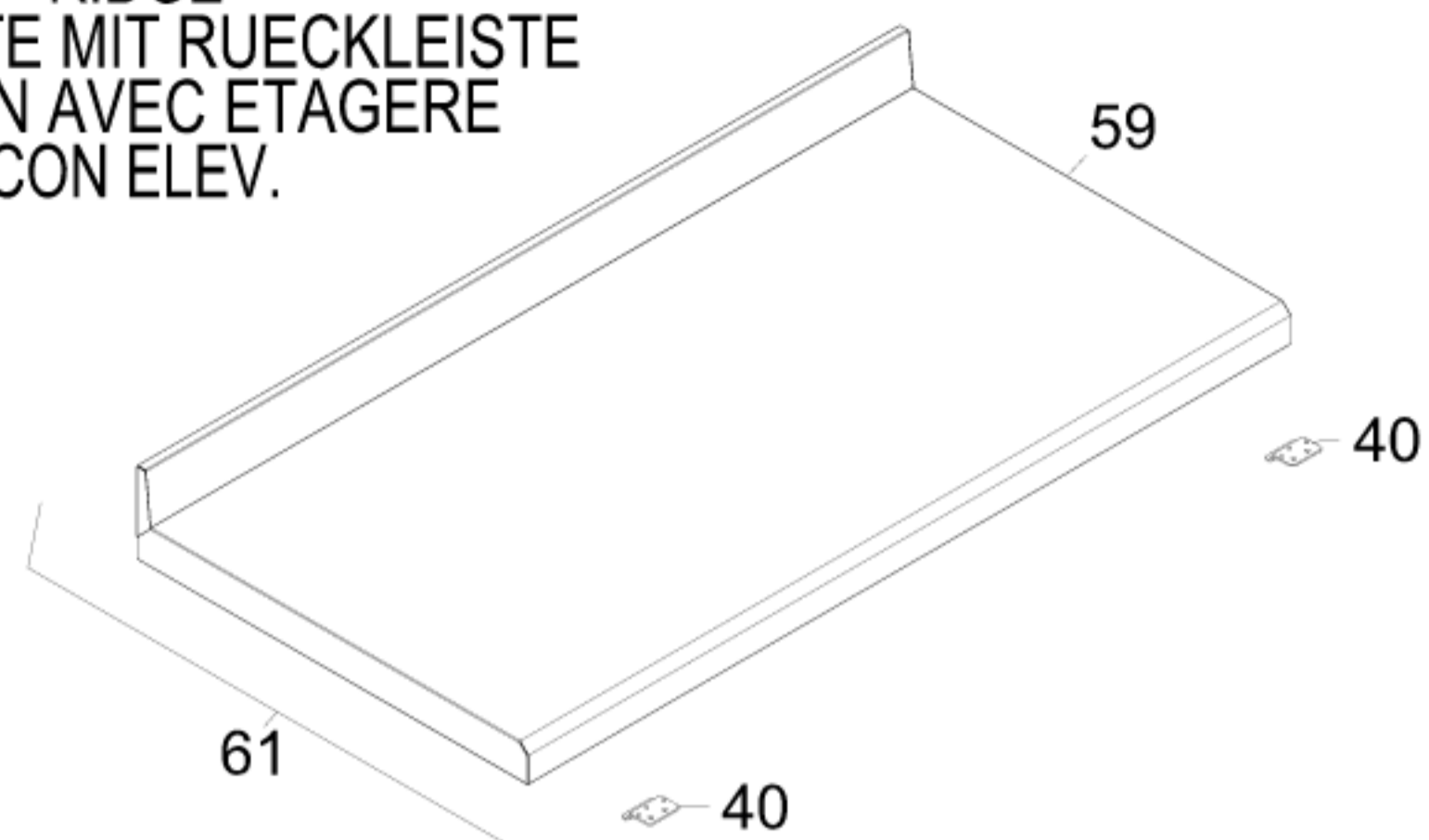
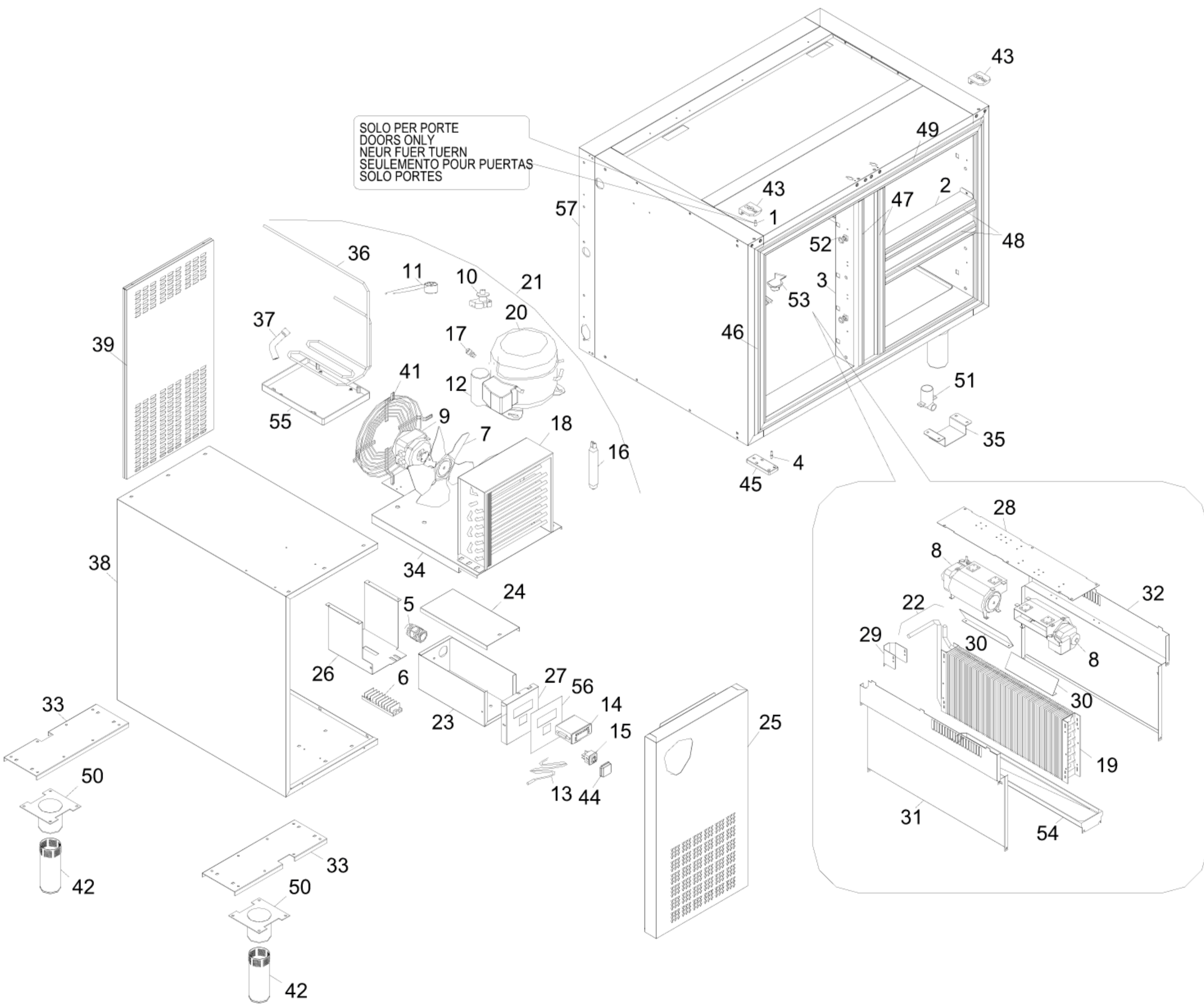
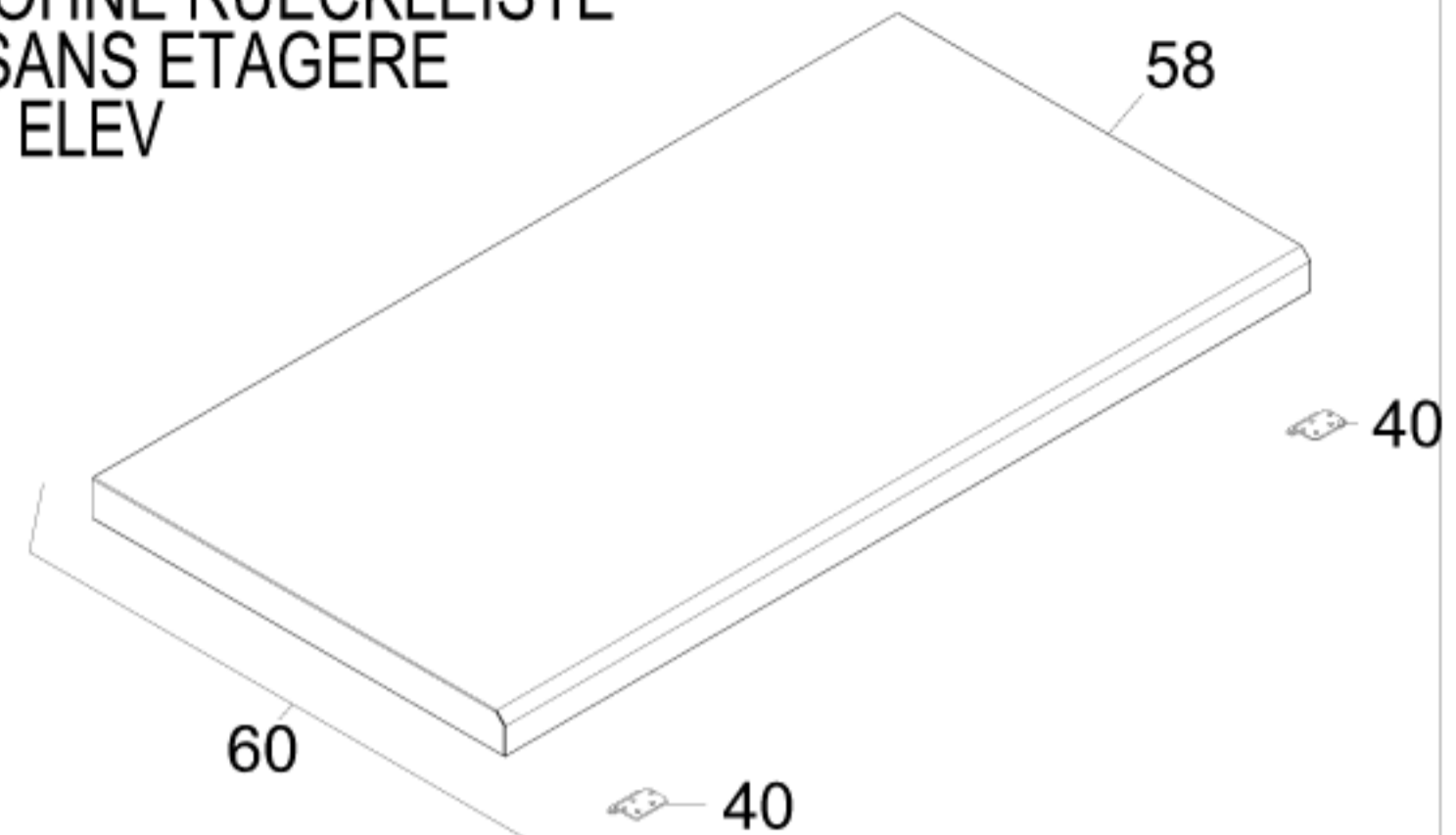


/A=PIANO CON ALZATINA
 /A=SHELF+ RIDGE
 /A=PLATTE MIT RUECKLEISTE
 /A=RAYON AVEC ETAGERE
 /A=TOPE CON ELEV.



/M=PIANO SENZA ALZATINA
 /M=SHELF WITHOUT RIDGE
 /M=PLATTE OHNE RUECKLEISTE
 /M=RAYON SANS ETAGERE
 /M=TOPE SIN ELEV



Modello Typ Model Modelle Modelo

| | | KMRA KMRAA KMRA M | KMRA2 KMRA2A KMRA2M | KMRA4 KMRA4A KMRA4M | KMRB KMRBA KMRBM | KMRB2 KMRB2A KMRB2M | KMRB4 KMRB4A KMRB4M | KMRB6 KMRB6A KMRB6M | KMRB11 KMRB11A KMRB11M | KMRC KMRC A KMRC M | KMRC2 KMRC2 A KMRC2 M | KMRC4 KMRC4 A KMRC4 M | KMRC6 KMRC6 A KMRC6 M | KMRC11 KMRC11 A KMRC11 M |
|--|--------------------------------|-------------------------|---------------------------|---------------------------|------------------------|---------------------------|---------------------------|---------------------------|------------------------------|--------------------------|-----------------------------|-----------------------------|-----------------------------|--------------------------------|
| Nu m.cassetti Schublad Drawers Tiroirs Gabetas | 1/2SUP 1/2INF 1/3 2/3 | - - - - | 1 1 - - | 2 2 - - | - - - - | 1 1 - - | 2 2 - - | 3 3 - - | - - 1 1 | - - - - | 1 1 - - | 2 2 - - | 3 3 - - | - - 1 1 |
| Porte Türen Doors Portes Puertas | DX SX | 1 1 | - 1 | - - | 1 2 | - 2 | - 1 | - - | 2 - | 1 3 | - 3 | - 2 | - 1 | 3 - |

