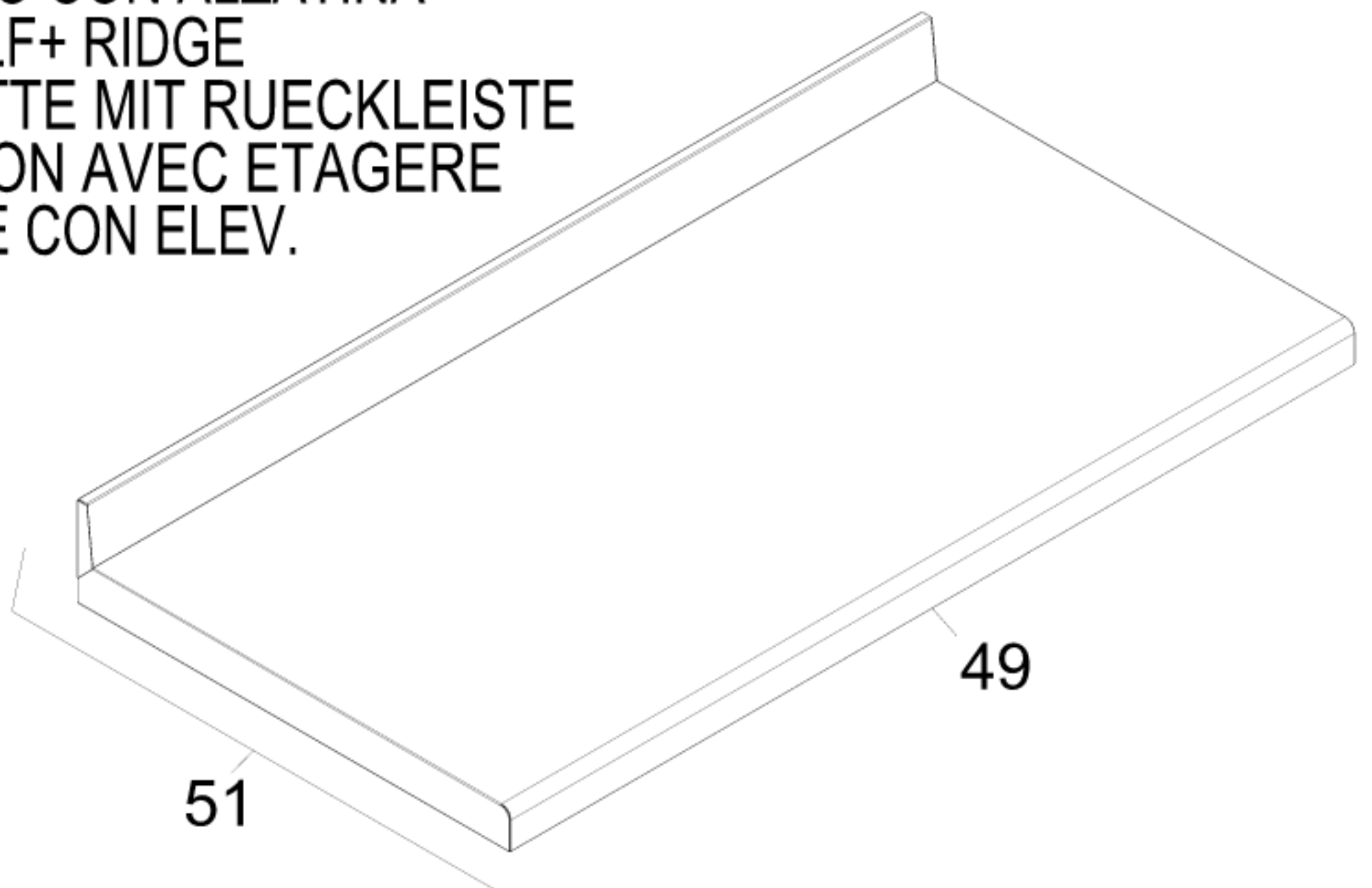
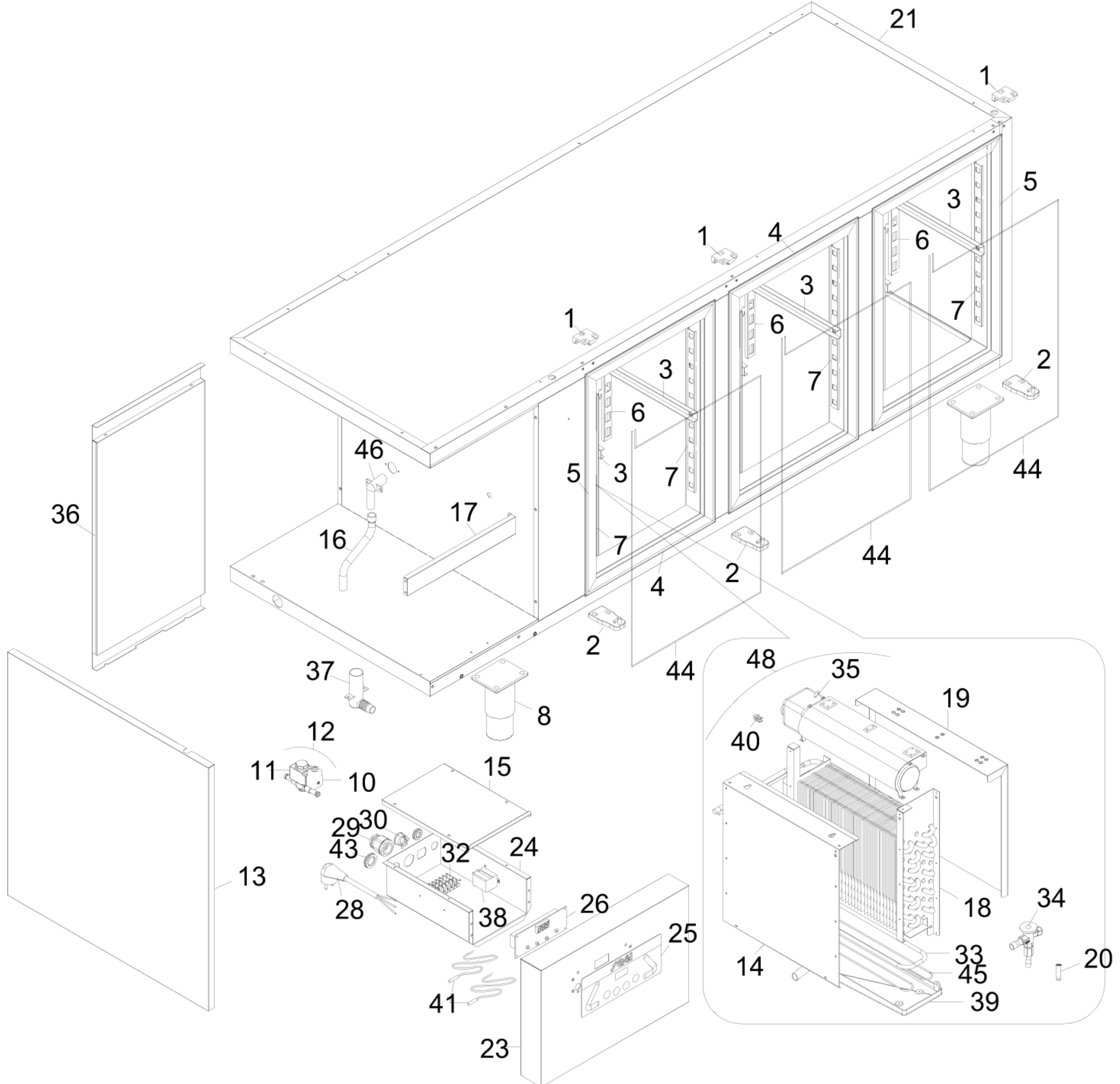
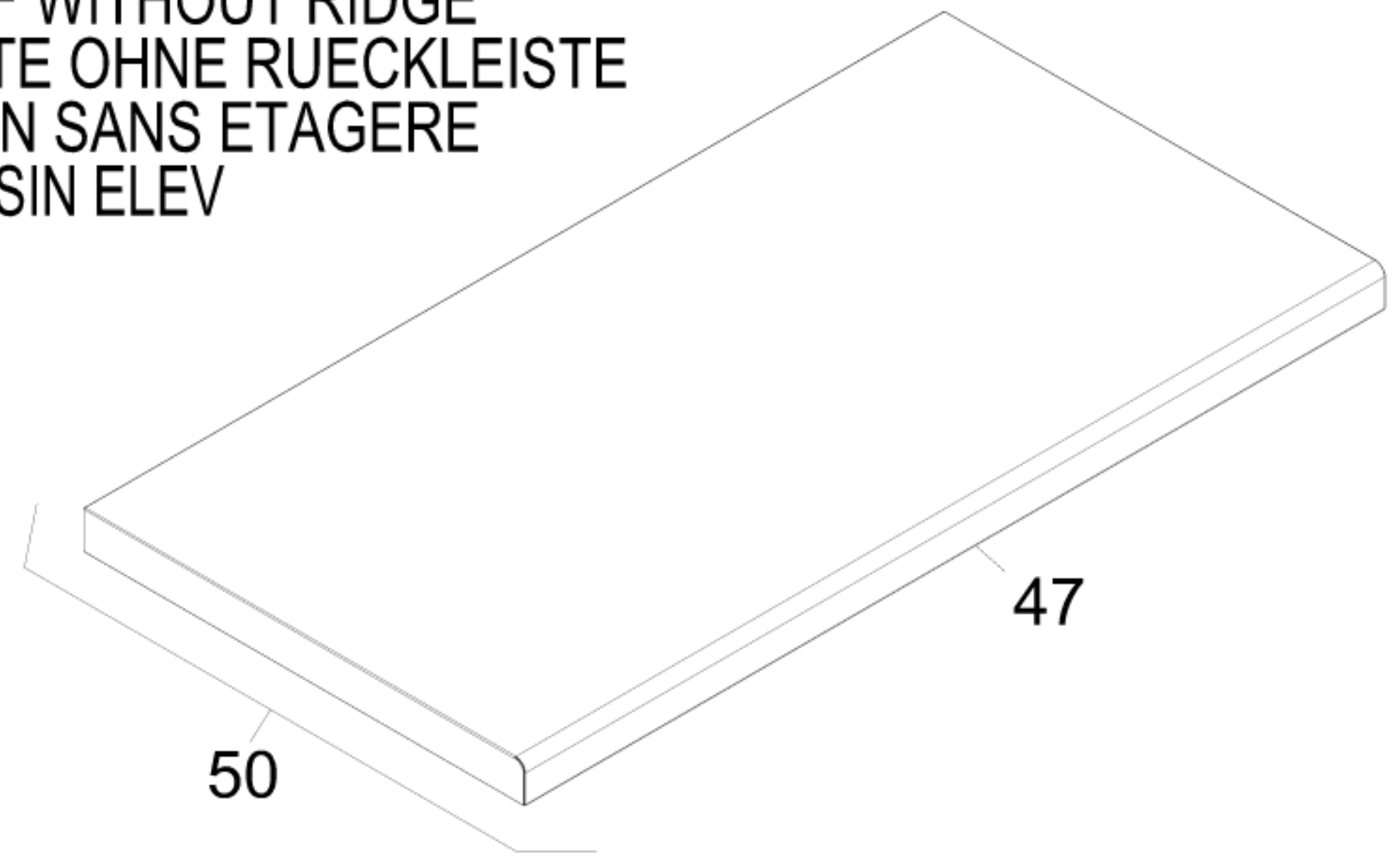


/A=PIANO CON ALZATINA
/A=SHELF+ RIDGE
/A=PLATTE MIT RUECKLEISTE
/A=RAYON AVEC ETAGERE
/A=TOPE CON ELEV.



/M=PIANO SENZA ALZATINA
/M=SHELF WITHOUT RIDGE
/M=PLATTE OHNE RUECKLEISTE
/M=RAYON SANS ETAGERE
/M=TOPE SIN ELEV



Modello Typ Model Modele Modelo

| | | | | | | | | | |
|---|-------------------------|---|---------------------------|---|---------------------------|---------------------------|---|---------------------------|---------------------------|
| | | KIRA KIRAA KIRAM KIRAB KIRABA KIRABM | KIRA2 KIRA2A KIRA2M | KIRB KIRBA KIRBM KIRBB KIRBBA KIRBBM | KIRB2 KIRB2A KIRB2M | KIRB4 KIRB4A KIRB4M | KIRC KIRCA KIRCM KIRCB KIRCBA KIRCBM | KIRC2 KIRC2A KIRC2M | KIRC4 KIRC4A KIRC4M |
| Num.cassetti Schublad Drawers Tiroirs Gabetas | 1/2 1/2SUP 1/2INF | 1 - - | 1 1 1 | 1 - - | 1 1 1 | 1 2 2 | 1 - - | 1 1 1 | 1 2 2 |
| Porte Türen Doors Portes Puertas | | 2 | 1 | 3 | 2 | 1 | 4 | 3 | 2 |

