



coffeeing the World

KRYO 65 ST



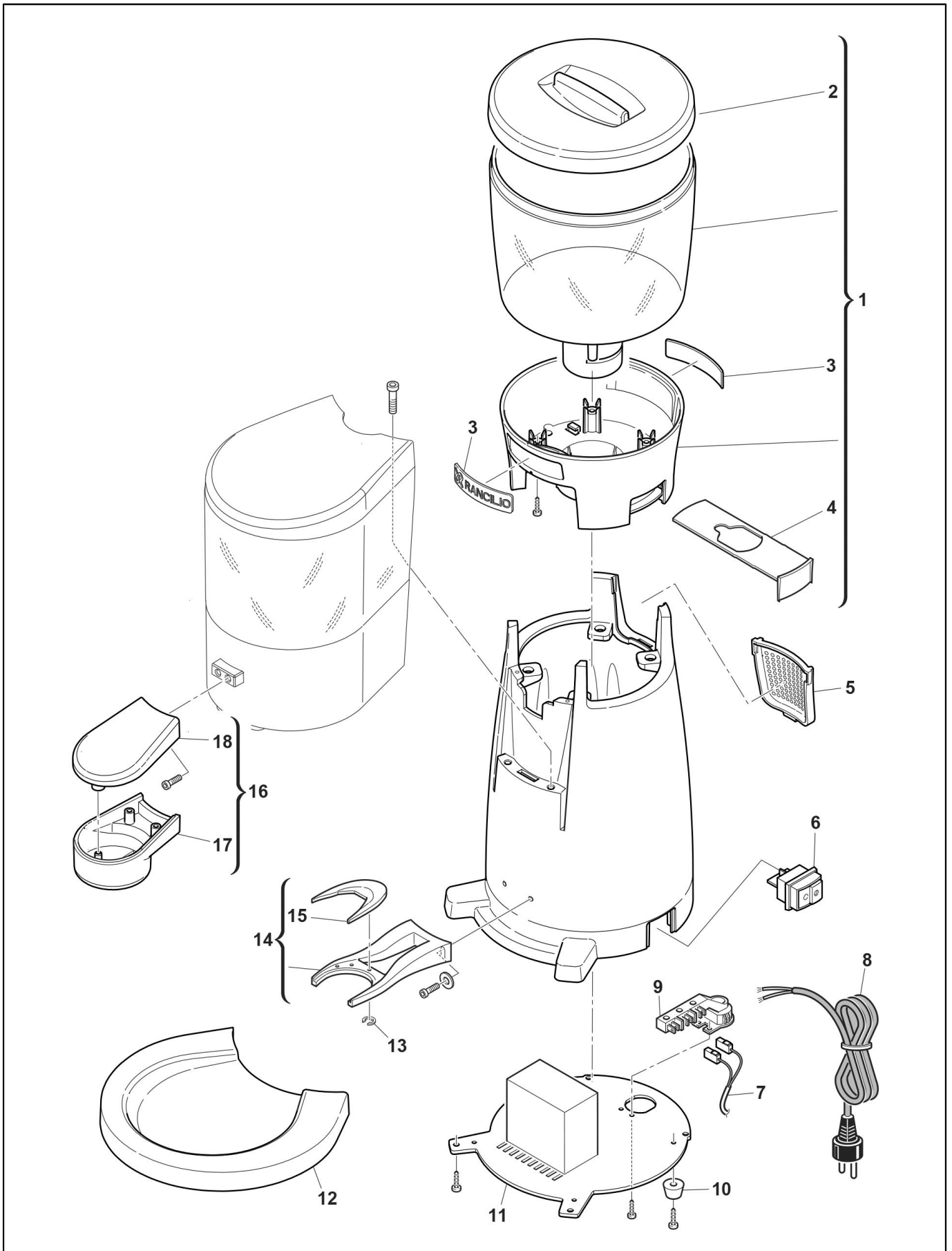
GRINDERS



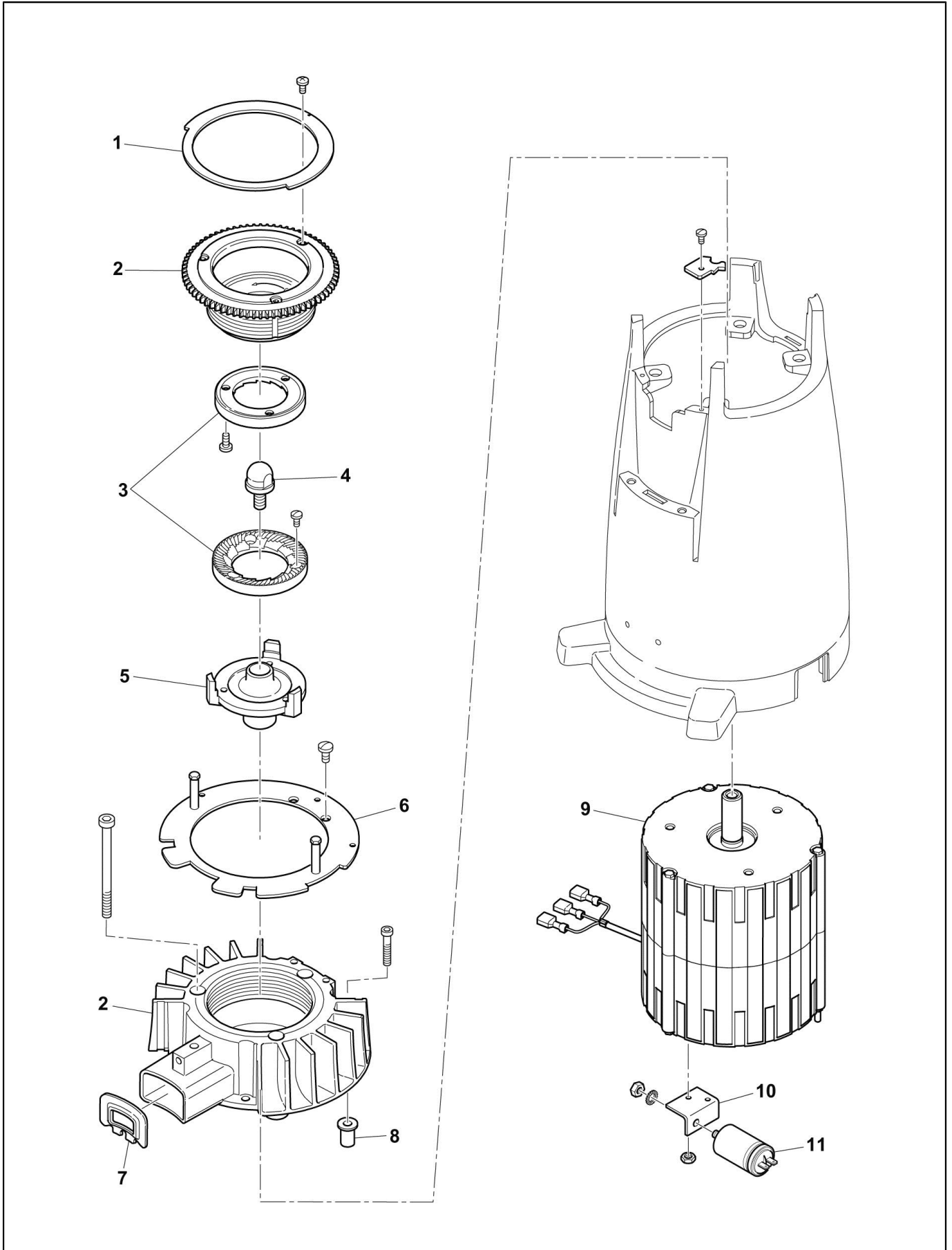
coffeeing the World

Index

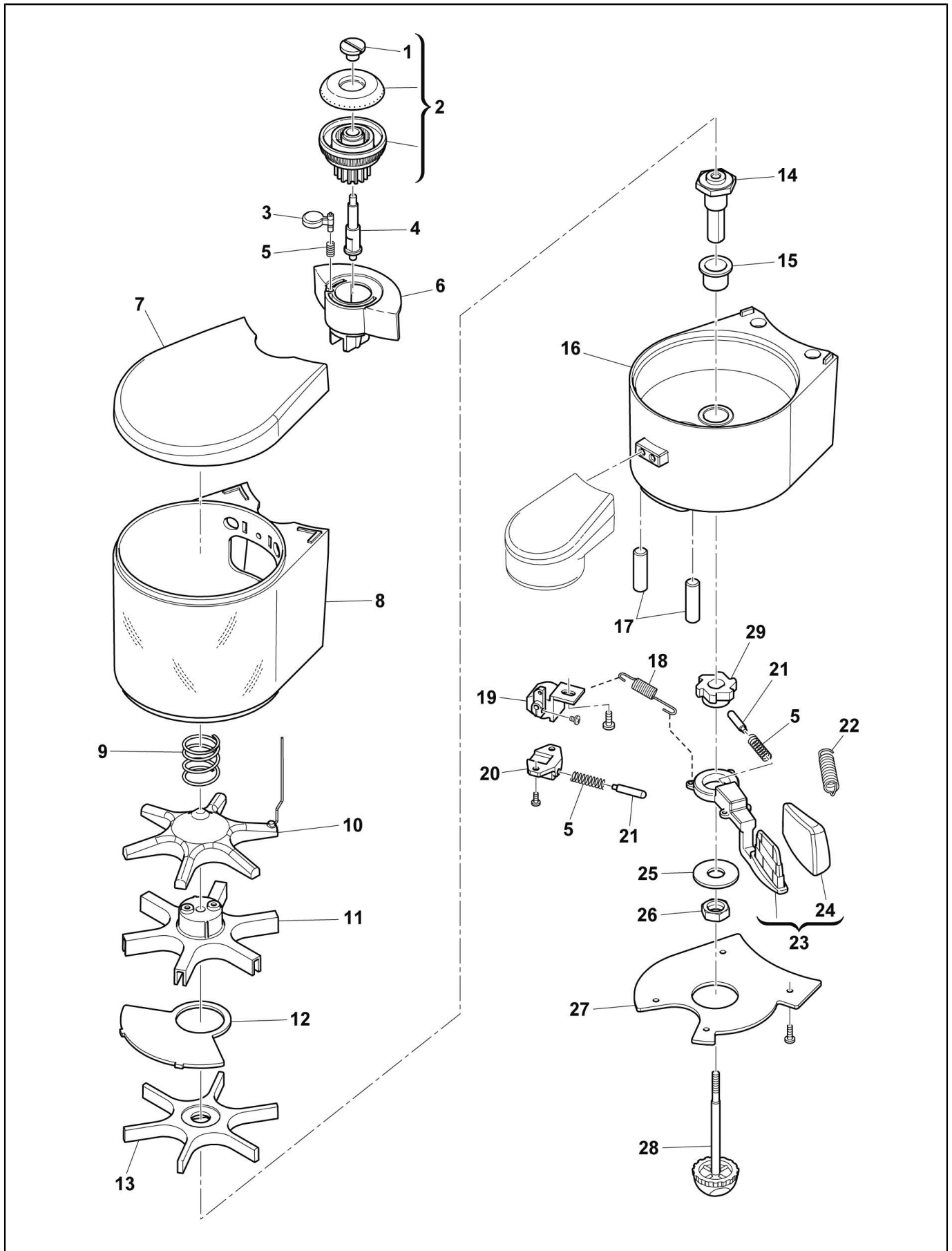
Table 03810/12 - HOUSING KRYO 65.....	4
Table 03820/12 - GRINDING CHAMBER AND MOTOR KRYO 65.....	6
Table 03835/12 - COFFEE CONTAINER AND DOSER KRYO 65 ST.....	8
Alphanumeric index.....	10



POS.	CODE	DESCRIPTION	QTY	START DATE	END DATE	NOTES
1	14705016	bean hopper Kryo 65	1			
2	38120158	BEAN HOPPER CAP KRYO 65	1			
3	42200134	RANCILIO PLATE KRYO 65	1			
4	38120167	SLIDER BEAN CLOSING KRYO 65	1			
5	38120169	GRID FRAME KRYO 65	1			
6	34030971	switch green light	1			
7	14013026	WIRING KRYO 65 AT 110/230V	1			
8	34549025	CABLE H05RN-F 3X0,75 L=2000 +SP UK	1			
9	34200212	Clamp + Screw	1			
10	36310016	RUBBER FOOT MD KRYO 65 D.22X15	1			
11	14705020	baseplate Kryo 65	1			
	34200270	transformer 400v	1			
	34200332	MINI-CONTACTOR	1			
12	38120168	POWDER CONTAINER KRYO 65	1			
13	37900505	ROUND FIXER D3 H106	1			
14	21202030	FILTERHOLDER FORK KRYO 65	1			
15	38120166	FORK INSERT KRYO 65	1			
16	14705017	KIT COFFEE PRESS KRYO 65	1			
17	38120161	LOWER PRESS COFFEE KRYO 65	1			
18	21208312	UPPER COFFEE PRESS KRYO 65	1			



POS.	CODE	DESCRIPTION	QTY	START DATE	END DATE	NOTES
1	32330281	GRINDING REGULATION RING MD50	1			
2	14700007	GRINDING CHAMBER+GRINDER HOLDER KRYO 65	1			
3	69000306	burrs couple 63,5 treatment Kryo OD	1			
4	26216005	MD50 Grinder Holder Screw	1			
5	22104011	GRINDER HOLDER KRYO 65	1			
6	14705019	plate Kryo 65	1			
7	36301042	COFFEE GASKET KRYO 65	1			
8	36322005	THREADED INSERT M5X17	1			
9	34014085	MOTOR V110 MD	1			
	34014086	MOTOR V230 MD	1			
	34014087	MOTOR V400 MD	1			
10	32339014	CONDENS.Support MD50 110V	1			
11	34020030	CAPACITOR 40MF 250V 110V	1			
	34020031	CONDENSER 10MF 425V X MD50 230V RPM	1			



COFFEE CONTAINER AND DOSER KRYO 65 ST

POS.	CODE	DESCRIPTION	QTY	START DATE	END DATE	NOTES
1	23000174	GRINDING REGULATION HANDLE CAP KRYO 65	1			
2	14705018	KIT GRINDING REGULATION KRYO 65	1			
3	38120174	BLOCK GUIDE HANDLE GRINDER KRYO 65	1			
4	23000173	GRINDING REG. HANDLE SHAFT KRYO 65	1			
5	39120035	MD PIN Spring	1			
6	38120173	CARTER GRINDER KRYO 65	1			
7	38120159	DOSER CAP KRYO 65	1			
8	38120155	COFFEE CONTAINER KRYO 65	1			
9	39220016	SPRING DOSER STAR KRYO 65	1			
10	38120154	UPPER DOSER STAR KRYO 65	1			
11	38120153	INTERMEDIATE DOSER STAR KRYO 65	1			
12	32331781	COFFEE DIVIDING KRYO 65	1			
13	38120152	LOWER DOSER STAR KRYO 65	1			
14	23000165	DOSER STAR GUIDE KRYO 65	1			
15	36930043	TEFLON BUSH KRYO 65	1			
16	21202010V	DOSER BODY KRYO 65	1			
17	36901101	MD STOP Rubber	1			
18	39220018	COUNTER SPRING KRYO 65	1			
19	69000311	COUNTER 90ANG+LEVER KRYO 65	1			
20	20120901	PIN SUPPORT KRYO 65	1			
21	00054220	Guiding pin	1			
22	39220017	SPRING RETURN LEVER KRYO 65	1			
23	14705013	LEVER ASSY KRYO 65	1			
24	36301043	LEVER RUBBER KRYO 65	1			
25	00040076	Washer M12	1			
26	37321201	NUT M12	1			
27	38120151	LOWER DOSER COVER KRYO 65	1			
28	23000171	M6 BAR KRYO 65	1			
29	23000166	DOSER TOOTHED WHEEL KRYO 65	1			

Code	No. table	Pos.
00040076	03835/12	25
00054220	03835/12	21
14013026	03810/12	7
14700007	03820/12	2
14705013	03835/12	23
14705016	03810/12	1
14705017	03810/12	16
14705018	03835/12	2
14705019	03820/12	6
14705020	03810/12	11
20120901	03835/12	20
21202010V	03835/12	16
21202030	03810/12	14
21208312	03810/12	18
22104011	03820/12	5
23000165	03835/12	14
23000166	03835/12	29
23000171	03835/12	28
23000173	03835/12	4
23000174	03835/12	1
26216005	03820/12	4
32330281	03820/12	1
32331781	03835/12	12
32339014	03820/12	10
34014085	03820/12	9
34014086	03820/12	9
34014087	03820/12	9
34020030	03820/12	11
34020031	03820/12	11
34030971	03810/12	6
34200212	03810/12	9
34200270	03810/12	11
34200332	03810/12	11
34549025	03810/12	8
36301042	03820/12	7
36301043	03835/12	24
36310016	03810/12	10
36322005	03820/12	8
36901101	03835/12	17
36930043	03835/12	15
37321201	03835/12	26
37900505	03810/12	13
38120151	03835/12	27
38120152	03835/12	13
38120153	03835/12	11
38120154	03835/12	10
38120155	03835/12	8
38120158	03810/12	2
38120159	03835/12	7
38120161	03810/12	17
38120166	03810/12	15
38120167	03810/12	4
38120168	03810/12	12
38120169	03810/12	5
38120173	03835/12	6
38120174	03835/12	3
39120035	03835/12	5
39220016	03835/12	9
39220017	03835/12	22
39220018	03835/12	18
42200134	03810/12	3
69000306	03820/12	3
69000311	03835/12	19



Headquarters, Production Plant and R&D Centers Worldwide Branch Locations

Rancilio Group s.p.a.
Viale della Repubblica 40
20010 Villastanza di Parabiago
Milano Italy
Tel +39 0331 408200
Fax +39 0331 551437
www.ranciliogroup.com
info@ranciliogroup.com

Egro Suisse AG
Bahnhofstrasse 66
5605 Dottikon, Switzerland
Tel. +41 (0)56 616 95 95
Fax +41 (0)56 616 95 97
www.egrocoffee.com
info@egrocoffee.com

SPAIN

RancilioGroup Espana, s.a.
Gran Via de Carlos III, 84 3ª
Edificio Trade
08028 Barcelona Spain
Tel. +34 902 884 275
Tel. +34 934 923 414
Fax +34 93 496 57 01
www.ranciliogroup.com
info-es@ranciliogroup.com

PORTUGAL

Rancilio Group Portugal Lda
Estrada da Falagueira nº 68 E
2700-365 Amadora-Lisboa Portugal
Tel. +35 121 019 1091
Fax +35 121 019 1091
www.ranciliogroup.com
info-pt@ranciliogroup.com

GERMANY

Rancilio Group Deutschland GmbH
Talstrasse 27
D-97990 Weikersheim
Ph. +49 7934 99 29 30
Fax +49 7934 99 29 330
www.egro-deutschland.de
info-de@ranciliogroup.com

SWITZERLAND

Egro Suisse AG
Bahnhofstrasse 66
5605 Dottikon, Switzerland
Tel. +41 (0)56 616 95 95
Fax +41 (0)56 616 95 97
www.egrosuisse.ch
info@egrosuisse.ch

USA/CANADA

RancilioGroup North America Inc.
1340 Internationale Parway / Suite 200
Woodridge, IL 60517 USA
Ph: +1 630 914-7900
Fax: +1 630 914 7901
Toll Free: +1 877 726 2454
www.ranciliogroup.com
info@ranciliogroupna.com

Sales Representative Office

ASIA

Asian Market Access HK Ltd
601 Tak Woo House
17-19 D'aguilar Street Central
Hong Kong
Ph. +852 2521 7839
Fax +852 2521 5787
www.ranciliogroup.com

