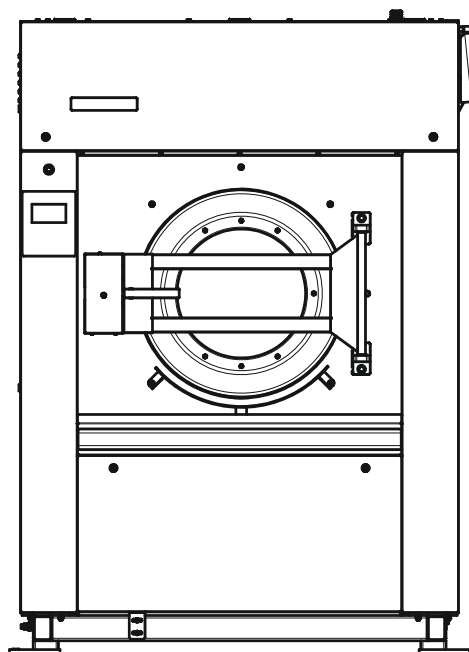


HIGH SPIN INDUSTRIAL WASHER EXTRACTOR

80kg
100kg
120kg



554466

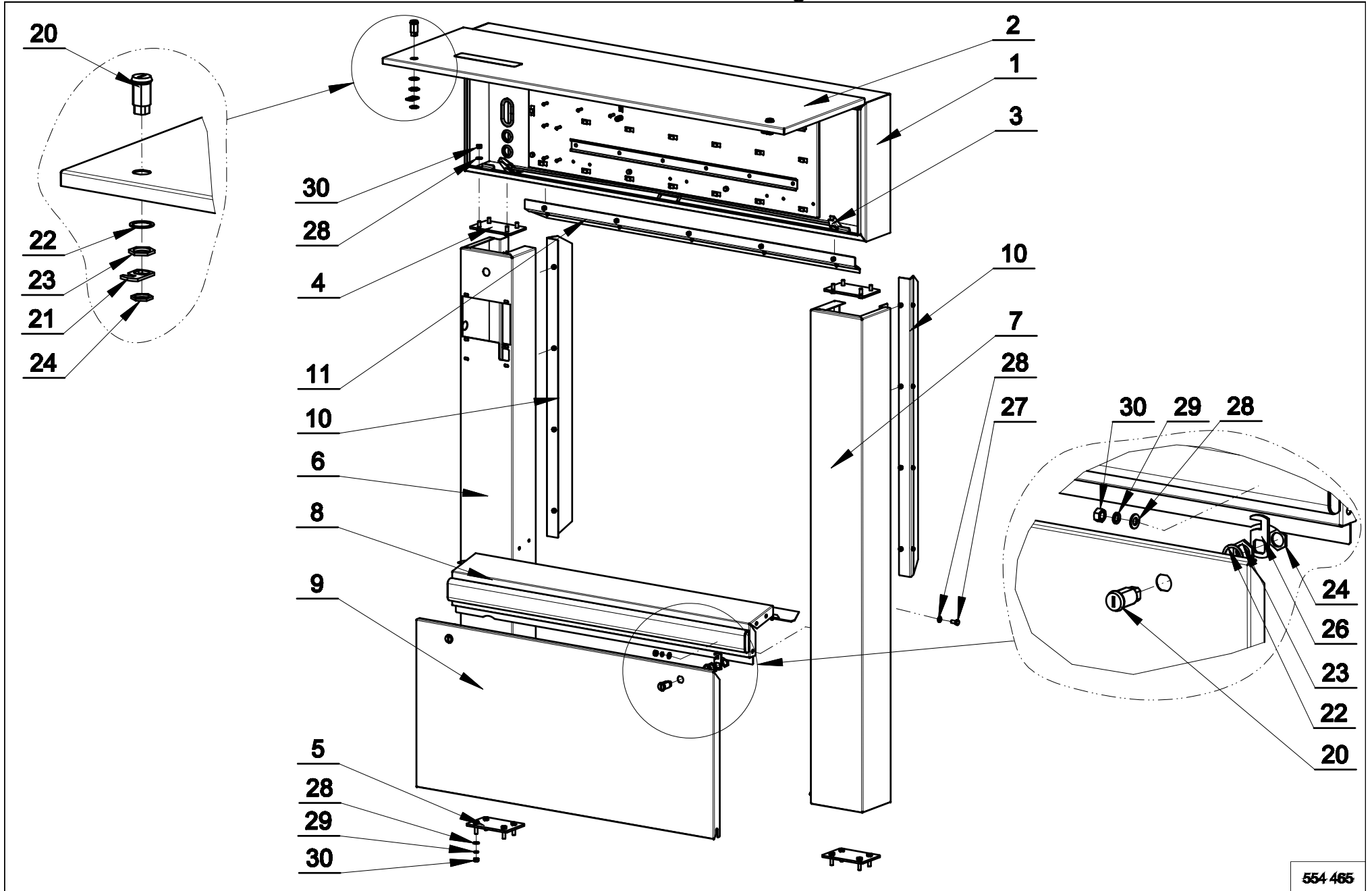
SPARE PARTS MANUAL
ERSATZTEIL-KATALOG

CATALOGUE DES ACCESSORIES
CATÁLOGO DE PIEZAS DE REPUES

554477

Publication date: 30 Jun 2013

FRONT FRAME 80-100-120 kg / 180-230-275 lb



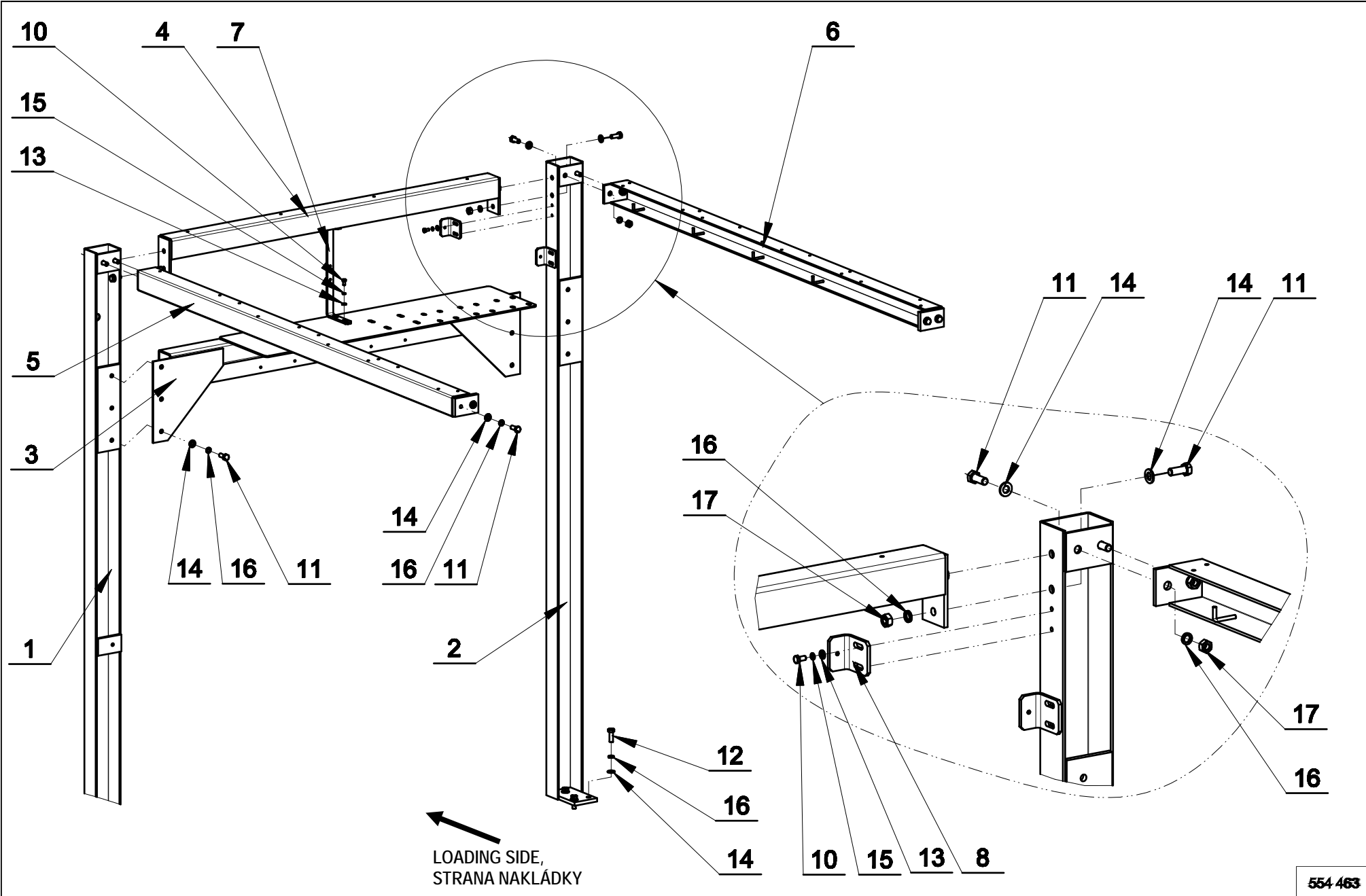
Front frame 80-100-120 kg / 180-230-275 lb: drawing nr. 554465

| | | | | | | |
|----|--------------|-----------------|--------------------------------|--|--|--|
| 1 | 220469 | 80 kg / 180 lb | Box of components, weldment | | | |
| 1 | 220407 | 100 kg / 230 lb | Box of components, weldment | | | |
| 1 | 220436 | 120 kg / 275 lb | Box of components, weldment | | | |
| 2 | 555083 | 80 kg / 180 lb | Cover for box of components | | | |
| 2 | 555082 | 100 kg / 230 lb | Cover for box of components | | | |
| 2 | 555081 | 120 kg / 275 lb | Cover for box of components | | | |
| 3 | 238907 | | Cover support | | | |
| 4 | 220464 | 80 kg / 180 lb | Pressure plate upper complete | | | |
| 4 | 220389 | 100 kg / 230 lb | Pressure plate upper complete | | | |
| 4 | 220430 | 120 kg / 275 lb | Pressure plate upper complete | | | |
| 5 | 220461 | 80 kg / 180 lb | Pressure plate lower complete | | | |
| 5 | 220387 | 100 kg / 230 lb | Pressure plate lower complete | | | |
| 5 | 220427 | 120 kg / 275 lb | Pressure plate lower complete | | | |
| 6 | 553832 | 80 kg / 180 lb | Front cover - left, complete | | | |
| 6 | 554838 | 100 kg / 230 lb | Front cover - left, complete | | | |
| 6 | 554840 | 120 kg / 275 lb | Front cover - left, complete | | | |
| 7 | 553830 | 80 kg / 180 lb | Front cover - right, complete | | | |
| 7 | 220396 | 100 kg / 230 lb | Front cover - right, complete | | | |
| 7 | 220435 | 120 kg / 275 lb | Front cover - right, complete | | | |
| 8 | 553215 | 80 kg / 180 lb | Front cover - middle, complete | | | |
| 8 | 238800 | 100 kg / 230 lb | Front cover - middle, complete | | | |
| 8 | 238799 | 120 kg / 275 lb | Front cover - middle, complete | | | |
| 9 | 553835 | 80 kg / 180 lb | Front cover | | | |
| 9 | 220402 | 100 kg / 230 lb | Front cover | | | |
| 9 | 220428 | 120 kg / 275 lb | Front cover | | | |
| 10 | 238810 | 80 kg / 180 lb | Side protective rubber | | | |
| 10 | 238809 | 100 kg / 230 lb | Side protective rubber | | | |
| 10 | 238808 | 120 kg / 275 lb | Side protective rubber | | | |
| 11 | 553217 | 80 kg / 180 lb | Upper protective rubber | | | |
| 11 | 236986 | 100 kg / 230 lb | Upper protective rubber | | | |
| 11 | 236985 | 120 kg / 275 lb | Upper protective rubber | | | |
| 20 | PRI610000007 | | Short lock | | | |
| 21 | PRI610002007 | | Hook lock short | | | |
| 22 | PRI522000012 | | Washer 21x27x1 | | | |
| 23 | PRI610005007 | | Big nut | | | |
| 24 | PRI610006007 | | Small nut | | | |
| 26 | PRI610001007 | | Hook lock big | | | |
| 27 | 210072 | | Bolt M8x16 | | | |
| 28 | 210015 | | Washer 8,4 | | | |
| 29 | 210003 | | Washer 8 | | | |
| 30 | 210039 | | Nut M8 | | | |
| | | | | | | |
| | | | | | | |

REAR FRAME 80-100-120 kg / 180-230-275 lb

554476_Pub_date_30_Jun_2013.doc

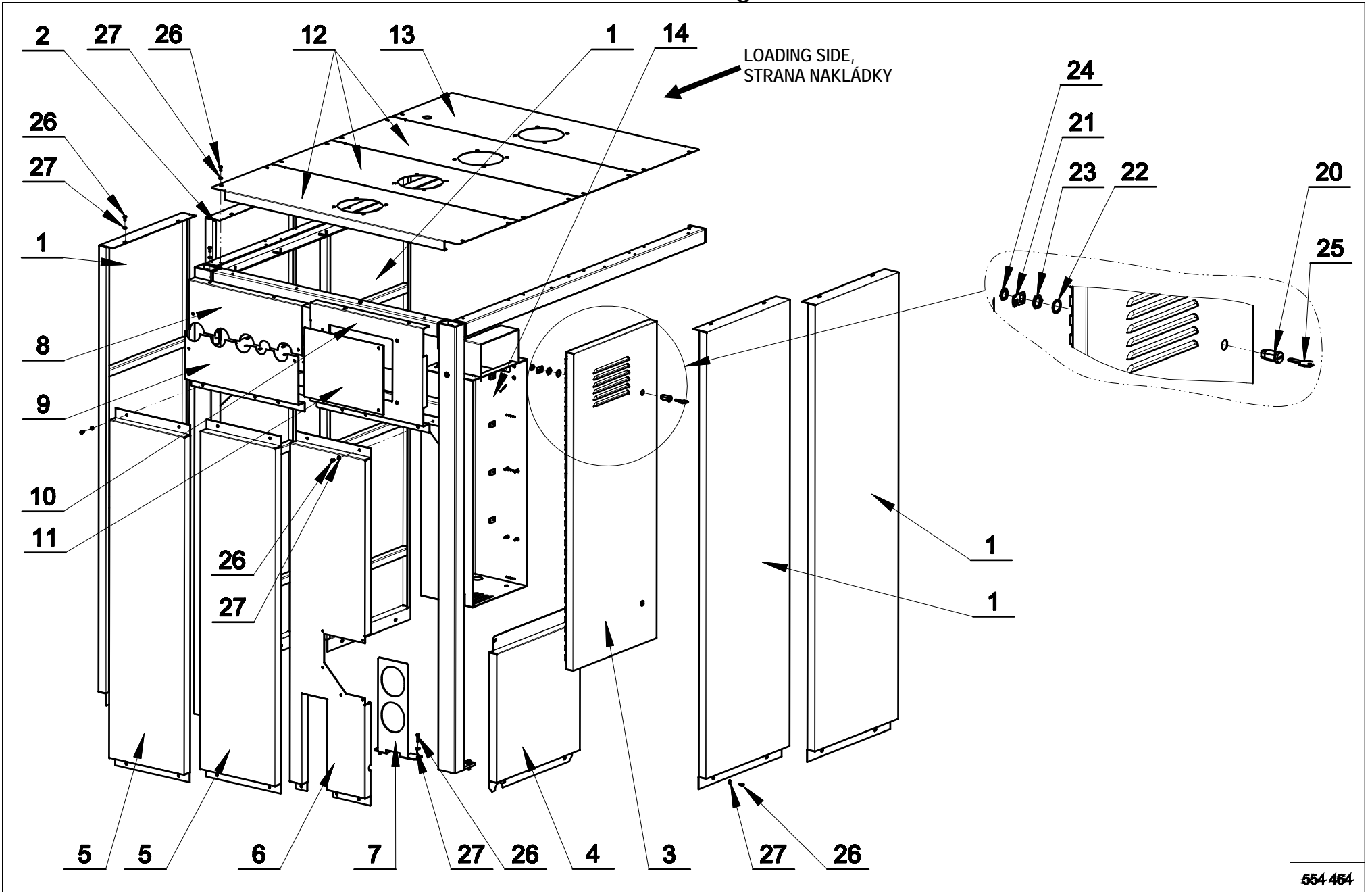
Spare parts manual



Rear frame 80-100-120 kg / 180-230-275 lb: drawing nr. 554463

| | | | | | | |
|----|--------|-----------------|-----------------------------|--|--|--|
| 1 | 220454 | 80 kg / 180 lb | Rear leg left complete | | | |
| 1 | 220382 | 100 kg / 230 lb | Rear leg left complete | | | |
| 1 | 220421 | 120 kg / 275 lb | Rear leg left complete | | | |
| 2 | 220473 | 80 kg / 180 lb | Rear leg right complete | | | |
| 2 | 220398 | 100 kg / 230 lb | Rear leg right complete | | | |
| 2 | 220439 | 120 kg / 275 lb | Rear leg right complete | | | |
| 3 | 220457 | 80 kg / 180 lb | Rear beam complete | | | |
| 3 | 220112 | 100 kg / 230 lb | Rear beam complete | | | |
| 3 | 220423 | 120 kg / 275 lb | Rear beam complete | | | |
| 4 | 220458 | 80 kg / 180 lb | Rear beam – upper, complete | | | |
| 4 | 220113 | 100 kg / 230 lb | Rear beam – upper, complete | | | |
| 4 | 220424 | 120 kg / 275 lb | Rear beam – upper, complete | | | |
| 5 | 220452 | 80 kg / 180 lb | Side beam – left, complete | | | |
| 5 | 220381 | 100 kg / 230 lb | Side beam – left, complete | | | |
| 5 | 220420 | 120 kg / 275 lb | Side beam – left, complete | | | |
| 6 | 220460 | 80 kg / 180 lb | Side beam – right, complete | | | |
| 6 | 220386 | 100 kg / 230 lb | Side beam – right, complete | | | |
| 6 | 220426 | 120 kg / 275 lb | Side beam – right, complete | | | |
| 7 | 220405 | | Support | | | |
| 8 | 220467 | 80 kg / 180 lb | Small support | | | |
| 10 | 210060 | | Bolt M6x12 | | | |
| 11 | 210088 | | Bolt M10x25 | | | |
| 12 | 210089 | | Bolt M10x30 | | | |
| 13 | 210013 | | Washer 6,4 | | | |
| 14 | 210016 | | Washer 10,5 | | | |
| 15 | 210002 | | Washer 6 | | | |
| 16 | 210004 | | Washer 10 | | | |
| 17 | 210041 | | Nut M10 | | | |
| | | | | | | |
| | | | | | | |
| | | | | | | |
| | | | | | | |
| | | | | | | |
| | | | | | | |
| | | | | | | |
| | | | | | | |

CABINET 80-100-120 kg / 180-230-275 lb



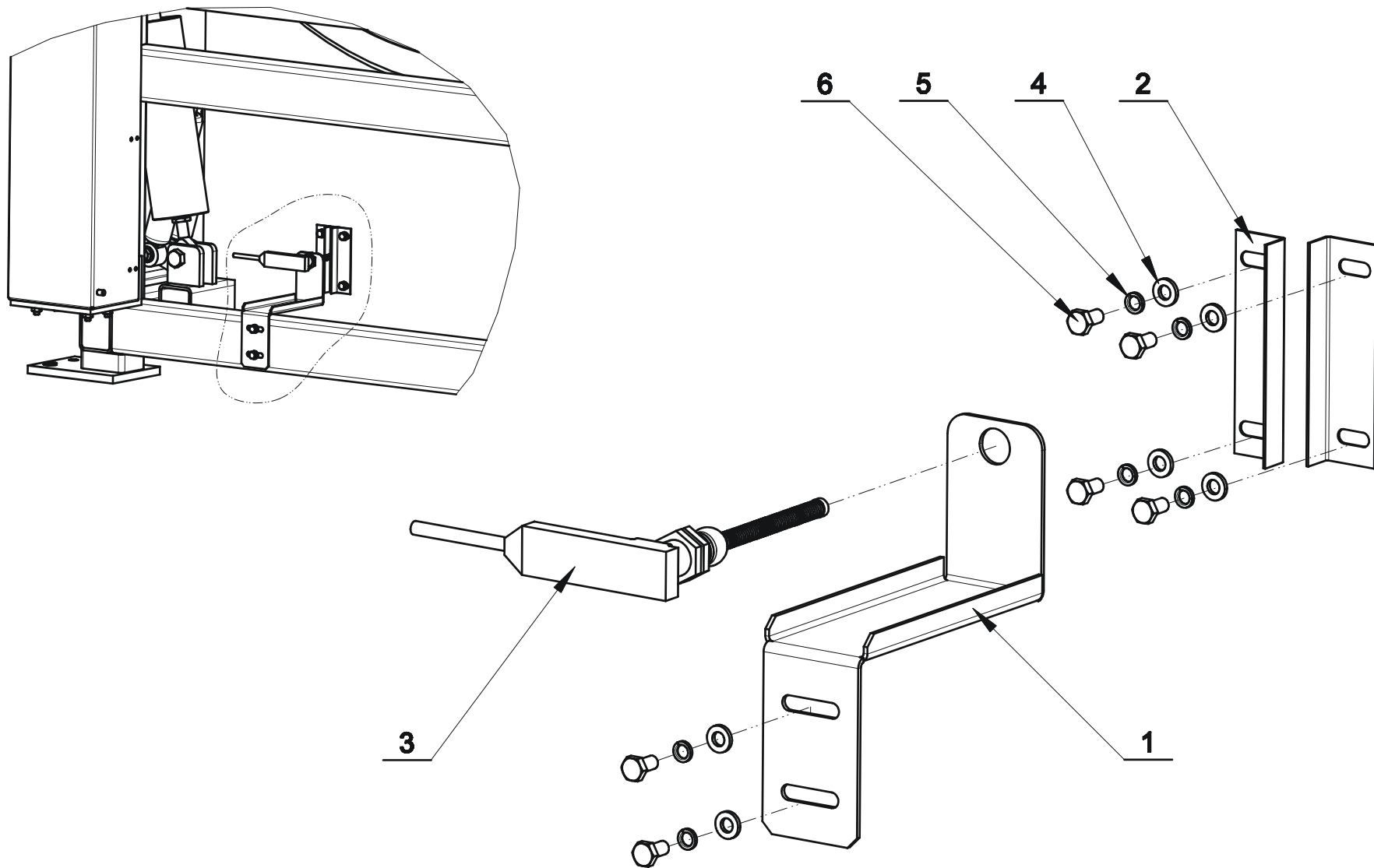
Cabinet 80-100-120 kg / 180-230-275 lb: odrawing nr. 554464

| | | | | | | |
|----|--------------|-------------------------|--|--|--|--|
| 1 | 220472 | 80 kg / 180 lb | Side panel complete | | | |
| 1 | 220409 | 100 kg / 230 lb | Side panel complete | | | |
| 1 | 220442 | 120 kg / 275 lb | Side panel complete | | | |
| 2 | 220572 | 80 kg / 180 lb | Side panel – left, complete, version with soap hopper | | | |
| 2 | 220459 | 80 kg / 180 lb | Side panel – right, complete, version with soap hopper | | | |
| 2 | 220114 | 100 kg / 230 lb | Side panel complete, version with soap hopper | | | |
| 2 | 220425 | 120 kg / 275 lb | Side panel complete, version with soap hopper | | | |
| 3 | 220471 | 80 kg / 180 lb | Cover for frequency inverter box, weldment | | | |
| 3 | 238240 | 100 kg / 230 lb | Cover for frequency inverter box, weldment | | | |
| 3 | 238241 | 120 kg / 275 lb | Cover for frequency inverter box, weldment | | | |
| 4 | 553227 | 80 kg / 180 lb | Side cover – small | | | |
| 4 | 553226 | 100 kg / 230 lb | Side cover – small | | | |
| 4 | 553225 | 120 kg / 275 lb | Side cover – small | | | |
| 5 | 220474 | 80 kg / 180 lb | Rear cover | | | |
| 5 | 220399 | 100 kg / 230 lb | Rear cover | | | |
| 5 | 220440 | 120 kg / 275 lb | Rear cover | | | |
| 6 | 551500 | 80 kg / 180 lb | Rear cover complete for drain system | | | |
| 6 | 551469 | 100 kg / 230 lb | Rear cover complete for drain system | | | |
| 6 | 551449 | 120 kg / 275 lb | Rear cover complete for drain system | | | |
| 7 | 551490 | 80 kg / 180 lb | Cover for drain hose holder | | | |
| 7 | 551491 | 100 kg / 230 lb | Cover for drain hose holder | | | |
| 7 | 551492 | 120 kg / 275 lb | Cover for drain hose holder | | | |
| 8 | 220465 | 80 kg / 180 lb | Upper cover for filling valves, steam valve and drum ventilation | | | |
| 8 | - | 80 kg / 180 lb | Upper cover for filling valves, steam valve and drum ventilation | | | |
| 8 | 220403 | 100 kg / 230 lb | Upper cover for filling valves, steam valve and drum ventilation | | | |
| 8 | - | 100 kg / 230 lb | Upper cover for filling valves, steam valve and drum ventilation | | | |
| 8 | 220431 | 120 kg / 275 lb | Upper cover for filling valves, steam valve and drum ventilation | | | |
| 8 | - | 120 kg / 275 lb | Upper cover for filling valves, steam valve and drum ventilation | | | |
| 9 | 220466 | 80 kg / 180 lb | Lower cover for filling valves, steam valve and drum ventilation | | | |
| 9 | - | 80 kg / 180 lb | Lower cover for filling valves, steam valve and drum ventilation | | | |
| 9 | 220404 | 100 kg / 230 lb | Lower cover for filling valves, steam valve and drum ventilation | | | |
| 9 | - | 100 kg / 230 lb | Lower cover for filling valves, steam valve and drum ventilation | | | |
| 9 | 220432 | 120 kg / 275 lb | Lower cover for filling valves, steam valve and drum ventilation | | | |
| 9 | - | 120 kg / 275 lb | Lower cover for filling valves, steam valve and drum ventilation | | | |
| 10 | 553241 | 80 kg / 180 lb | Pneumatic components box | | | |
| 10 | 553232 | 100 kg / 230 lb | Pneumatic components box | | | |
| 10 | 553231 | 120 kg / 275 lb | Pneumatic components box | | | |
| 11 | 553243 | | Cover for pneumatic components box | | | |
| 12 | 220462 | 80 kg / 180 lb | Top cover complete | | | |
| 12 | 220388 | 100 kg / 230 lb | Top cover complete | | | |
| 12 | 220429 | 120 kg / 275 lb | Top cover complete | | | |
| 13 | 238244 | 80 kg / 180 lb | Top cover complete II | | | |
| 13 | 238247 | 100 kg / 230 lb | Top cover complete II | | | |
| 13 | 238249 | 120 kg / 275 lb | Top cover complete II | | | |
| 14 | 238242 | 80 kg / 180 lb | Frequency inverter box, weldment | | | |
| 14 | 238243 | 100-120 kg / 230-275 lb | Frequency inverter box, weldment | | | |
| 20 | PRI610000007 | | Short lock | | | |
| 21 | PRI610002007 | | Hook lock short | | | |
| 22 | PRI522000012 | | Washer 21x27x1 | | | |
| 23 | PRI610005007 | | Big nut | | | |
| 24 | PRI610006007 | | Small nut | | | |
| 25 | PRI610003923 | | Doorlock key | | | |

Cabinet 80-100-120 kg / 180-230-275 lb: odrawing nr. 554464

| | | | | | | |
|----------|------------------|--|--------------------------|--|--|--|
| 26 27 | 210060 210013 | | Bolt M6x12 Washer 6,4 | | | |
| | | | | | | |
| | | | | | | |
| | | | | | | |
| | | | | | | |
| | | | | | | |
| | | | | | | |
| | | | | | | |
| | | | | | | |
| | | | | | | |
| | | | | | | |
| | | | | | | |
| | | | | | | |
| | | | | | | |
| | | | | | | |
| | | | | | | |
| | | | | | | |
| | | | | | | |

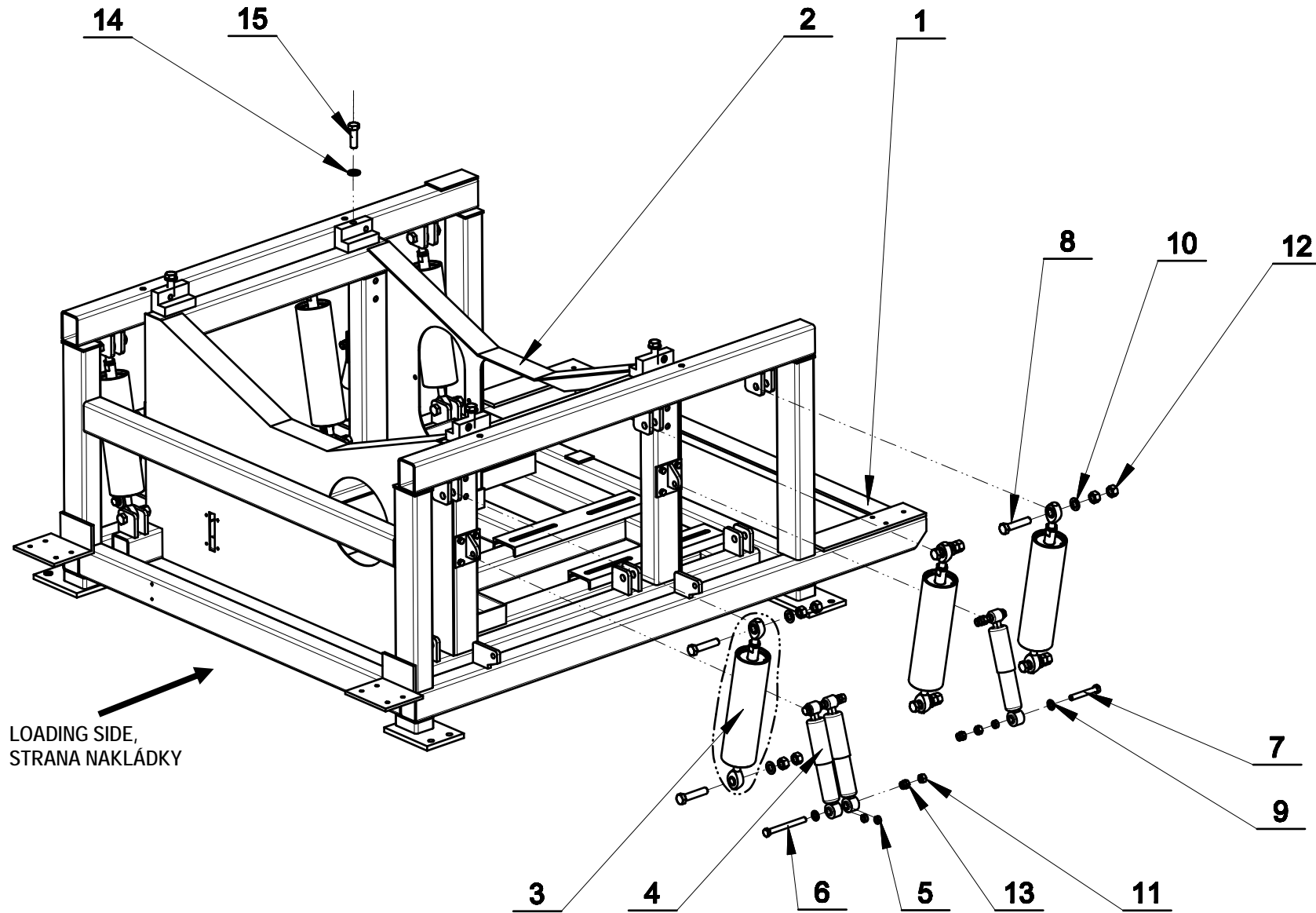
VIBRATION SWITCH 80-100-120 kg / 180-230-275 lb



Vibration switch 80-100-120 kg / 180-230-275 lb: drawing nr. 554448

| | | | | | | |
|---|--------------|-------------------------|--------------------------|--|--|--|
| 1 | 531229 | 80 kg / 180 lb | Vibration switch holder | | | |
| 1 | 540466 | 100-120 kg / 230-275 lb | Vibration switch holder | | | |
| 2 | 531268 | | Vibration switch limiter | | | |
| 3 | PRI345000068 | | Vibration switch | | | |
| 4 | 311125000006 | | Washer 6,4 | | | |
| 5 | 311127000006 | | Washer 6 | | | |
| 6 | 309933000612 | | Bolt M6x12 | | | |
| | | | | | | |
| | | | | | | |
| | | | | | | |
| | | | | | | |
| | | | | | | |
| | | | | | | |
| | | | | | | |
| | | | | | | |
| | | | | | | |
| | | | | | | |
| | | | | | | |
| | | | | | | |
| | | | | | | |
| | | | | | | |
| | | | | | | |

LOWER FRAME, UPPER FRAME, SPRING SUSPENSION 80-100-120 kg / 180-230-275 lb



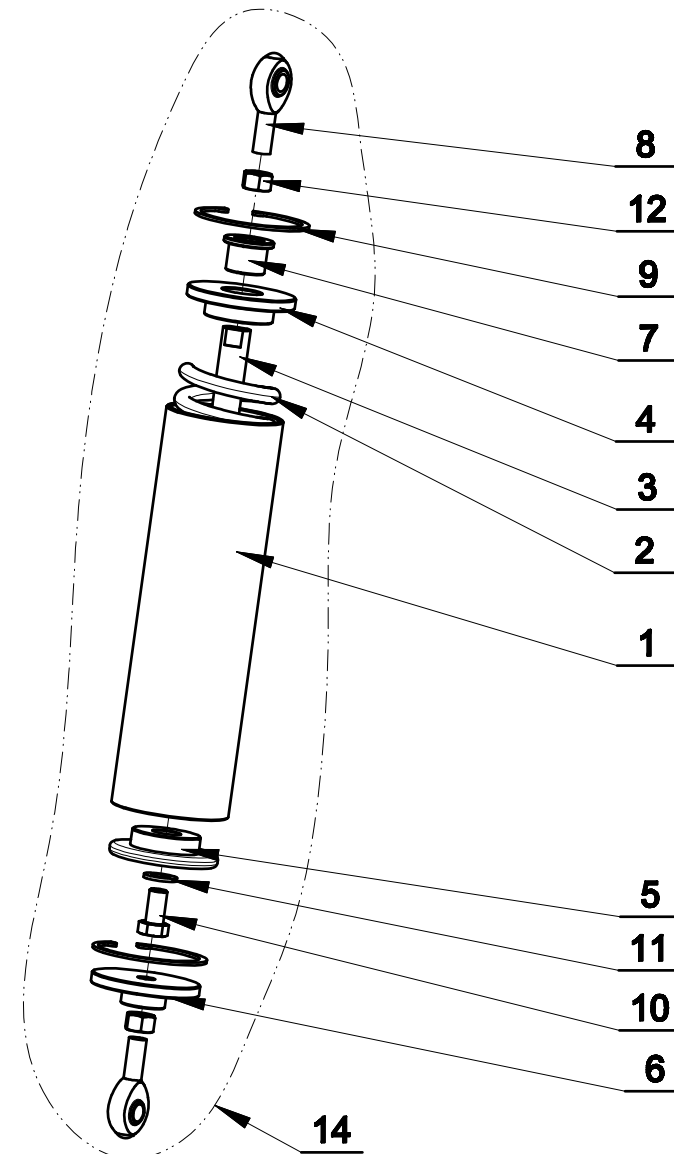
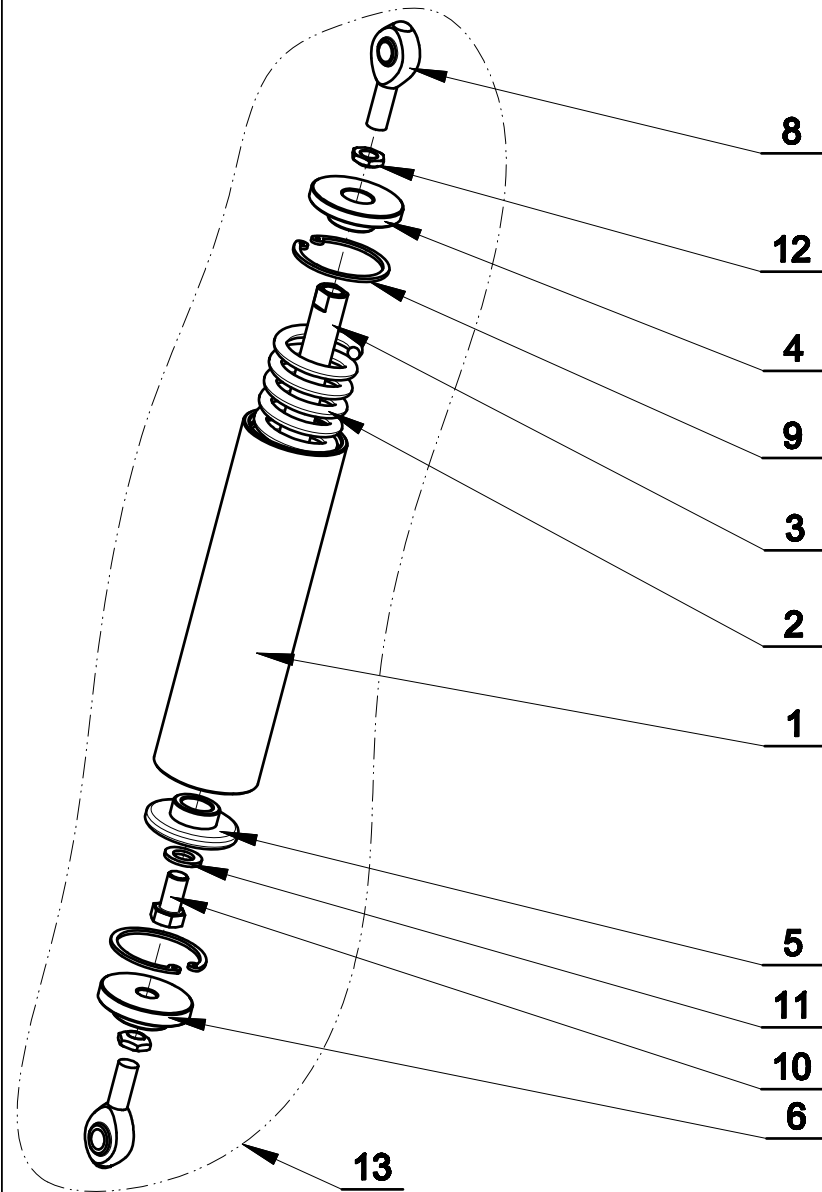
Lower frame, upper frame, spring suspension 80-100-120 kg / 180-230-275 lb: drawing nr. 554446

| | | | | | | |
|----|-----------|-------------------------|---|--|--|--|
| 1 | 238502 | 80 kg / 180 lb | Lower frame | | | |
| 1 | 238501 | 100 kg / 230 lb | Lower frame | | | |
| 1 | 238500 | 120 kg / 275 lb | Lower frame | | | |
| 2 | 238554 | 80 kg / 180 lb | Upper frame | | | |
| 2 | 238553 | 100 kg / 230 lb | Upper frame | | | |
| 2 | 238552 | 120 kg / 275 lb | Upper frame | | | |
| 3 | - | 80 kg / 180 lb | Spring suspension, see drawing nr. 554447 | | | |
| 3 | - | 100-120 kg / 230-275 lb | Spring suspension, see drawing nr. 554447 | | | |
| 4 | 256162001 | | Shock absorber KA1190 | | | |
| 5 | 220357 | | Distance washer | | | |
| 6 | 210116 | | Bolt M12x120 | | | |
| 7 | 210113 | | Bolt M12x85 | | | |
| 8 | 210138 | | Bolt M16x75 | | | |
| 9 | 210018 | | Washer 13 | | | |
| 10 | 210021 | | Washer 17 | | | |
| 11 | 210043 | | Nut M12 | | | |
| 12 | 210046 | | Nut M16 | | | |
| 13 | 210027 | | Self locking nut M12 | | | |
| 14 | 210021 | | Washer 17 | | | |
| 15 | 210130 | | Bolt M16x50 | | | |
| | | | | | | |
| | | | | | | |
| | | | | | | |
| | | | | | | |
| | | | | | | |
| | | | | | | |
| | | | | | | |
| | | | | | | |
| | | | | | | |
| | | | | | | |
| | | | | | | |
| | | | | | | |
| | | | | | | |
| | | | | | | |
| | | | | | | |
| | | | | | | |

SPRING SUSPENSION 80-100-120 kg / 180-230-275 lb

80 kg / 180 lb

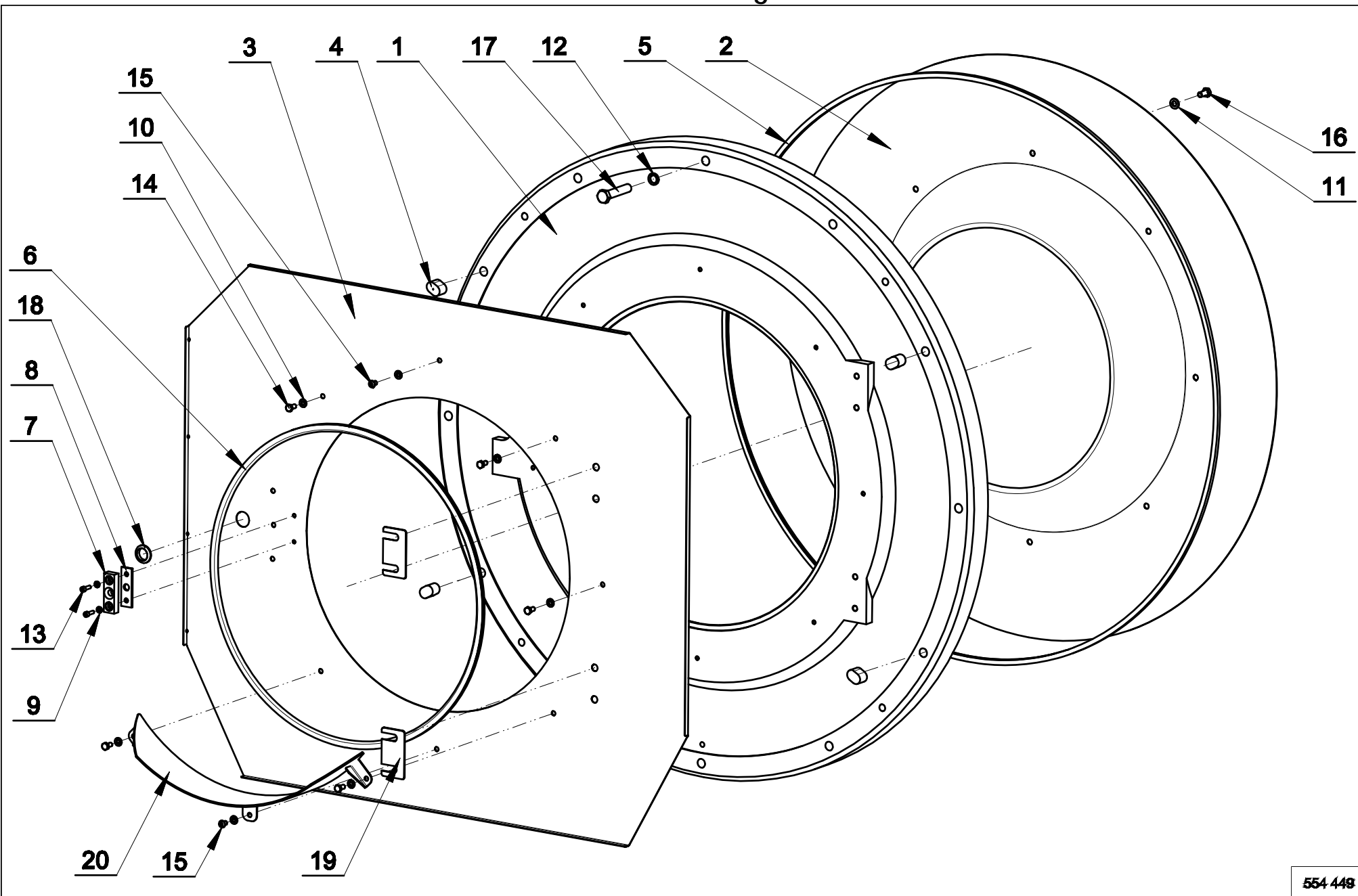
100-120 kg / 230-275 lb



Spring suspension 80-100-120 kg / 180-230-275 lb: drawing nr. 554447

| | | | | | | |
|----|-----------|-------------------------|----------------------------|--|--|--|
| 1 | 220307 | 80 kg / 180 lb | Cylinder | | | |
| 1 | 220155 | 100-120 kg / 230-275 lb | Cylinder | | | |
| 2 | 220000057 | 80 kg / 180 lb | Spring | | | |
| 2 | 220000030 | 100-120 kg / 230-275 lb | Spring | | | |
| 3 | 220308 | 80 kg / 180 lb | Shaft | | | |
| 3 | 220156 | 100-120 kg / 230-275 lb | Shaft | | | |
| 4 | 220309 | 80 kg / 180 lb | Cover | | | |
| 4 | 220154 | 100-120 kg / 230-275 lb | Cover | | | |
| 5 | 220306 | 80 kg / 180 lb | Spring holder | | | |
| 5 | 220157 | 100-120 kg / 230-275 lb | Spring holder | | | |
| 6 | 220305 | 80 kg / 180 lb | Cover | | | |
| 6 | 220158 | 100-120 kg / 230-275 lb | Cover | | | |
| 7 | 220153 | 100-120 kg / 230-275 lb | Guide bush | | | |
| 8 | 231312019 | | Stem pipe joint bearings | | | |
| 9 | 210255 | 80 kg / 180 lb | Retaining ring 75 | | | |
| 9 | 210256 | 100-120 kg / 230-275 lb | Retaining ring 98 | | | |
| 10 | 210124 | | Bolt M6x30 | | | |
| 11 | 210021 | | Washer 17 | | | |
| 12 | 210030 | | Nut M16 | | | |
| 13 | 238768 | 80 kg / 180 lb | Spring suspension complete | | | |
| 14 | 238060 | 100-120 kg / 230-275 lb | Spring suspension complete | | | |
| | | | | | | |
| | | | | | | |
| | | | | | | |
| | | | | | | |
| | | | | | | |
| | | | | | | |
| | | | | | | |
| | | | | | | |
| | | | | | | |
| | | | | | | |

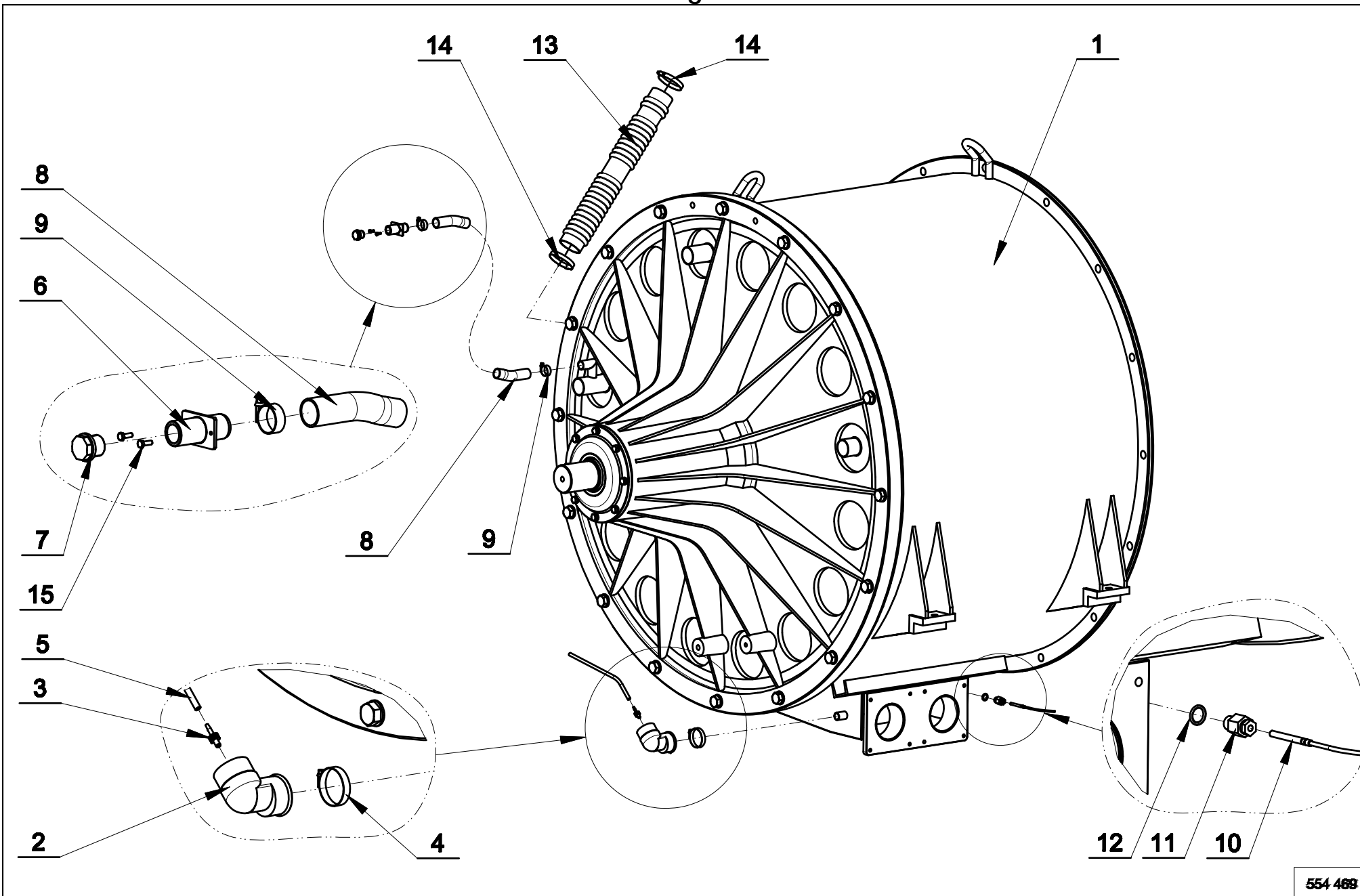
FRONT PLATE 80-100-120 kg / 180-230-275 lb



Front plate 80-100-120 kg / 180-230-275 lb: drawing nr. 554449

| | | | | | | |
|----|--------------|-------------------------|---------------------------|--|--|--|
| 1 | 238679 | 80 kg / 180 lb | Front plate | | | |
| 1 | 238678 | 100 kg / 230 lb | Front plate | | | |
| 1 | 238677 | 120 kg / 275 lb | Front plate | | | |
| 2 | 230100 | 80 kg / 180 lb | Cover | | | |
| 2 | 230015 | 100 kg / 230 lb | Cover | | | |
| 2 | 230152 | 120 kg / 275 lb | Cover | | | |
| 3 | 238682 | 80 kg / 180 lb | Front plate | | | |
| 3 | 220377 | 100 kg / 230 lb | Front plate | | | |
| 3 | 220447 | 120 kg / 275 lb | Front plate | | | |
| 4 | 802123100 | 80 kg / 180 lb | Cover for bolt | | | |
| 4 | 802123112 | 100-120 kg / 230-275 lb | Cover for bolt | | | |
| 5 | 802123260 | 80 kg / 180 lb | Sealing | | | |
| 5 | 802123475 | 100 kg / 230 lb | Sealing | | | |
| 5 | 238684 | 120 kg / 275 lb | Sealing | | | |
| 6 | 802123095 | | Front plate sealing | | | |
| 7 | F02100020114 | | Centring block | | | |
| 8 | 531237 | 80-100 kg / 180-230 lb | Washer for centring block | | | |
| 8 | 545379 | 120 kg / 275 lb | Washer for centring block | | | |
| 9 | 311125000006 | | Washer 6,4 | | | |
| 10 | 210015 | | Washer 8,4 | | | |
| 11 | 220184 | | Washer 10,5 | | | |
| 12 | 210007 | 80 kg / 180 lb | Washer 16 | | | |
| 12 | 210009 | 100-120 kg / 230-275 lb | Washer 20 | | | |
| 13 | 528549 | 80 kg / 180 lb | Bolt M6x20 | | | |
| 13 | 210064 | 100-120 kg / 230-275 lb | Bolt M6x30 | | | |
| 14 | 210072 | | Bolt M8x16 | | | |
| 15 | 526791 | | Bolt M8x12 | | | |
| 16 | 210087 | | Bolt M10x20 | | | |
| 17 | 210139 | 80 kg / 180 lb | Bolt M16x85 | | | |
| 17 | 210149 | 100-120 kg / 230-275 lb | Bolt M20x80 | | | |
| 18 | PRI501000071 | | Cable bushing | | | |
| 19 | 535554 | | Distance sheet | | | |
| 20 | 230022 | 80-100 kg / 180-230 lb | Manger complete | | | |
| 20 | 230160 | 120 kg / 275 lb | Manger complete | | | |
| | | | | | | |
| | | | | | | |
| | | | | | | |
| | | | | | | |

TUB 80-100-120 kg / 180-230-275 lb



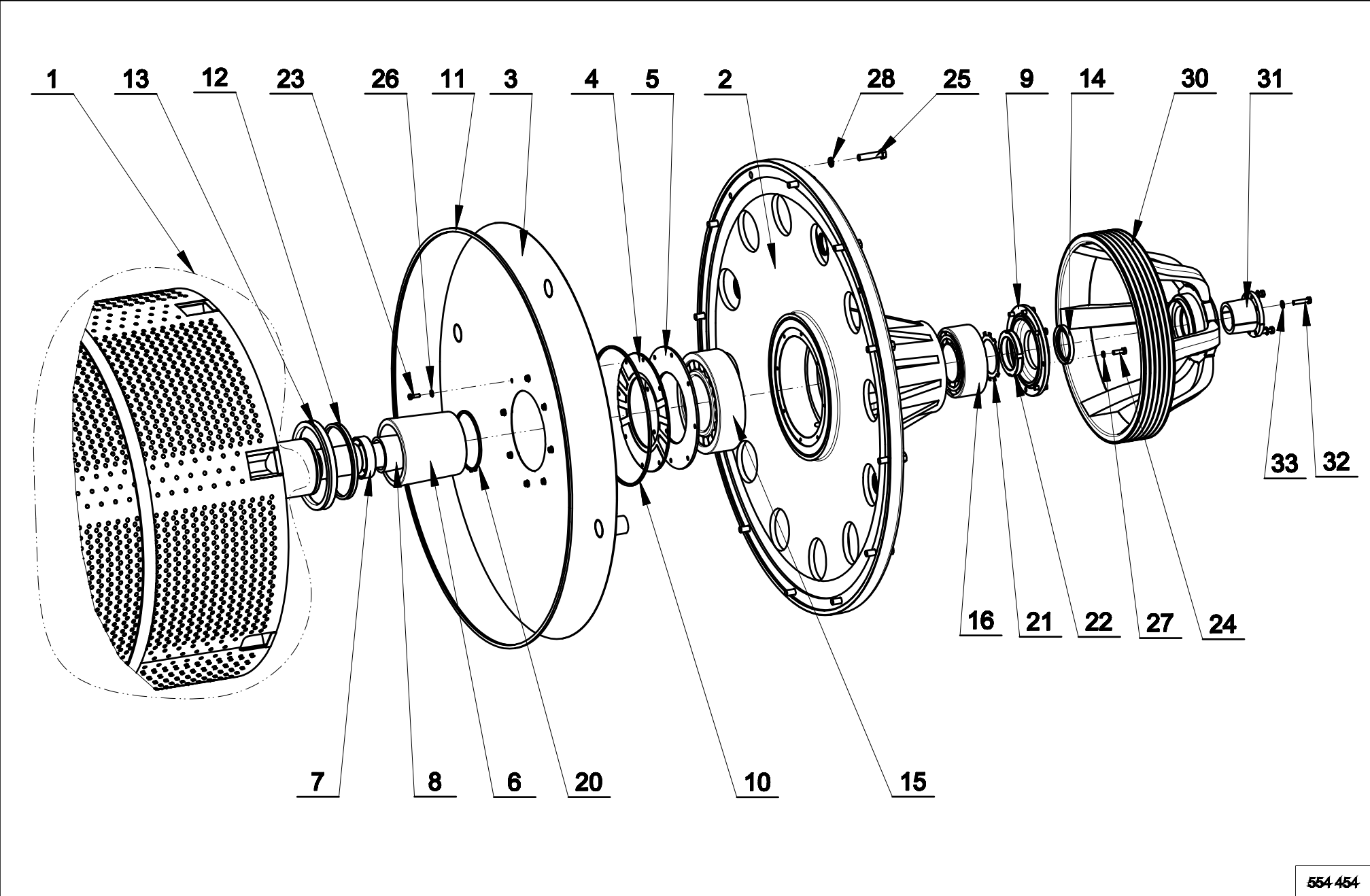
Tub 80-100-120 kg / 180-230-275 lb: drawing nr. 554469

| | | | | | | |
|----|--------------|-------------------------|---|--|--|--|
| 1 | 230277 | 80 kg / 180 lb | External tub - weldment | | | |
| 1 | 230127 | 100 kg / 230 lb | External tub - weldment | | | |
| 1 | 230141 | 120 kg / 275 lb | External tub - weldment | | | |
| 2 | 220771 | | Water level elbow | | | |
| 3 | 220364 | | Adapter for elbow | | | |
| 4 | 210416 | | Hose clamp | | | |
| 5 | PRI540001003 | | Water level switch hose | | | |
| 6 | 541126 | | Input for pumps | | | |
| 7 | 510940 | | Plug 1/2" | | | |
| 8 | PRI540001019 | | Hose d19x27 | | | |
| 9 | PRI240000003 | | Hose clamp 20-32 | | | |
| 10 | 503839 | | Temperature sensor | | | |
| 11 | PRI614000047 | | Temperature sensor holder (part No. includes also | | | |
| 11 | - | | 516981) | | | |
| - | 516981 | | Sealing ring, (not shown) | | | |
| 12 | PRI524000001 | | Sealing ring | | | |
| 13 | 273396307058 | 80 kg / 180 lb | Rubber hose 60, version with soap hopper | | | |
| 13 | 555067 | 100-120 kg / 230-275 lb | Rubber hose 60, version with soap hopper | | | |
| 14 | PRI240000021 | | Hose clamp 60-80, version with soap hopper | | | |
| 15 | 309933240412 | | Bolt M4x12 | | | |
| | | | | | | |
| | | | | | | |
| | | | | | | |
| | | | | | | |
| | | | | | | |
| | | | | | | |
| | | | | | | |
| | | | | | | |
| | | | | | | |
| | | | | | | |
| | | | | | | |
| | | | | | | |

DRUM, TRUNNION 80-100-120 kg / 180-230-275 lb

554476_Pub_date_30_Jun_2013.doc

Spare parts manual



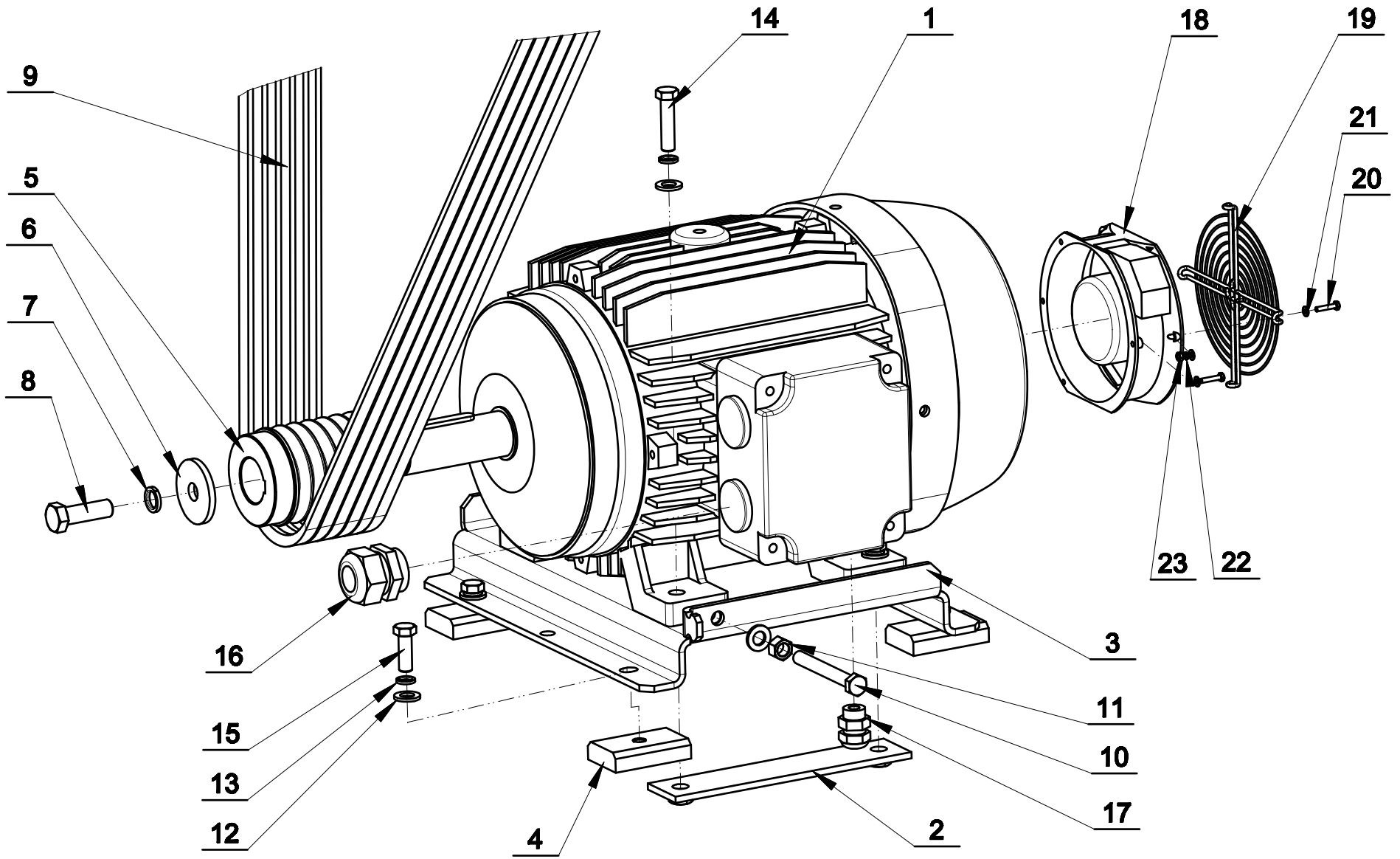
Drum, trunnion 80-100-120 kg / 180-230-275 lb: drawing nr. 554454

| | | | | | | |
|----|-----------|-------------------------|--------------------------|--|--|--|
| 1 | 230099 | 80 kg / 180 lb | Washing drum - complete | | | |
| 1 | 230014 | 100 kg / 230 lb | Washing drum - complete | | | |
| 1 | 230164 | 120 kg / 275 lb | Washing drum - complete | | | |
| 2 | 230115 | 80 kg / 180 lb | Bearing housing | | | |
| 2 | 230063 | 100 kg / 230 lb | Bearing housing | | | |
| 2 | 230149 | 120 kg / 275 lb | Bearing housing | | | |
| 3 | 230102 | 80 kg / 180 lb | Rear plate | | | |
| 3 | 230392 | 100 kg / 230 lb | Rear plate | | | |
| 3 | 230159 | 120 kg / 275 lb | Rear plate | | | |
| 4 | 220342 | 80-100 kg / 180-230 lb | Sealing ring A | | | |
| 4 | 220172 | 120 kg / 275 lb | Sealing ring A | | | |
| 5 | 220173 | 120 kg / 275 lb | Sealing ring B | | | |
| 6 | 220338 | 80-100 kg / 180-230 lb | Distance sleeve A | | | |
| 6 | 220170 | 120 kg / 275 lb | Distance sleeve A | | | |
| 7 | 220339 | 80-100 kg / 180-230 lb | Distance sleeve B | | | |
| 7 | 220174 | 120 kg / 275 lb | Distance sleeve B | | | |
| 8 | 220341 | 80-100 kg / 180-230 lb | Distance sleeve C | | | |
| 8 | 220176 | 120 kg / 275 lb | Distance sleeve C | | | |
| 9 | 230121 | 80 kg / 180 lb | Cover | | | |
| 9 | 230065 | 100 kg / 230 lb | Cover | | | |
| 9 | 230139 | 120 kg / 275 lb | Cover | | | |
| 10 | 802123038 | | Sealing ring | | | |
| 11 | 802123260 | 80 kg / 180 lb | Profiled sealing | | | |
| 11 | 802123475 | 100 kg / 230 lb | Profiled sealing | | | |
| 11 | 802123265 | 120 kg / 275 lb | Profiled sealing | | | |
| 12 | 802123028 | | Sealing V-199A | | | |
| 13 | 802123031 | | Sealing V-220A | | | |
| 14 | 210309 | 80-100 kg / 180-230 lb | Sealing ring | | | |
| 14 | 210308 | 120 kg / 275 lb | Sealing ring | | | |
| 15 | 231000700 | | Bearing 32532 | | | |
| 16 | 231001030 | 80-100 kg / 180-230 lb | Bearing 113619 | | | |
| 16 | 231001040 | 120 kg / 275 lb | Bearing 113620 | | | |
| 20 | 210248 | | Retaining ring for shaft | | | |
| 21 | 210258 | 80-100 kg / 180-230 lb | Retaining washer 95 | | | |
| 21 | 210259 | 120 kg / 275 lb | Retaining washer 100 | | | |
| 22 | 220099 | 80-100 kg / 180-230 lb | Clamping nut M95x2 | | | |
| 22 | 220148 | 120 kg / 275 lb | Clamping nut M100x2 | | | |
| 23 | 210076 | 80-100 kg / 180-230 lb | Bolt M8x25 | | | |
| 23 | 210078 | 120 kg / 275 lb | Bolt M8x30 | | | |
| 24 | 210089 | 80-100 kg / 180-230 lb | Bolt M10x30 | | | |
| 24 | 210100 | 120 kg / 275 lb | Bolt M12x30 | | | |
| 25 | 210137 | 80 kg / 180 lb | Bolt M16x70 | | | |
| 25 | 210148 | 100-120 kg / 230-275 lb | Bolt M20x70 | | | |
| 26 | 220184 | | Washer 8,4 | | | |
| 27 | 210016 | 80-100 kg / 180-230 lb | Washer 10 | | | |
| 27 | 210018 | 120 kg / 275 lb | Washer 12 | | | |
| 28 | 210021 | 80 kg / 180 lb | Washer 16 | | | |
| 28 | 210022 | 100-120 kg / 230-275 lb | Washer 20 | | | |
| 30 | 230118 | 80 kg / 180 lb | Drum pulley | | | |
| 30 | 230076 | 100-120 kg / 230-275 lb | Drum pulley | | | |
| 31 | 220318 | 80 kg / 180 lb | Clamping sleeve | | | |
| 31 | 220098 | 100-120 kg / 230-275 lb | Clamping sleeve | | | |

Drum, trunnion 80-100-120 kg / 180-230-275 lb: drawing nr. 554454

| | | | | | | |
|----|--------|--|-------------|--|--|--|
| 32 | 210097 | | Bolt M10x60 | | | |
| 33 | 210016 | | Washer 10,5 | | | |
| | | | | | | |
| | | | | | | |
| | | | | | | |
| | | | | | | |
| | | | | | | |
| | | | | | | |
| | | | | | | |
| | | | | | | |
| | | | | | | |
| | | | | | | |
| | | | | | | |
| | | | | | | |
| | | | | | | |
| | | | | | | |
| | | | | | | |

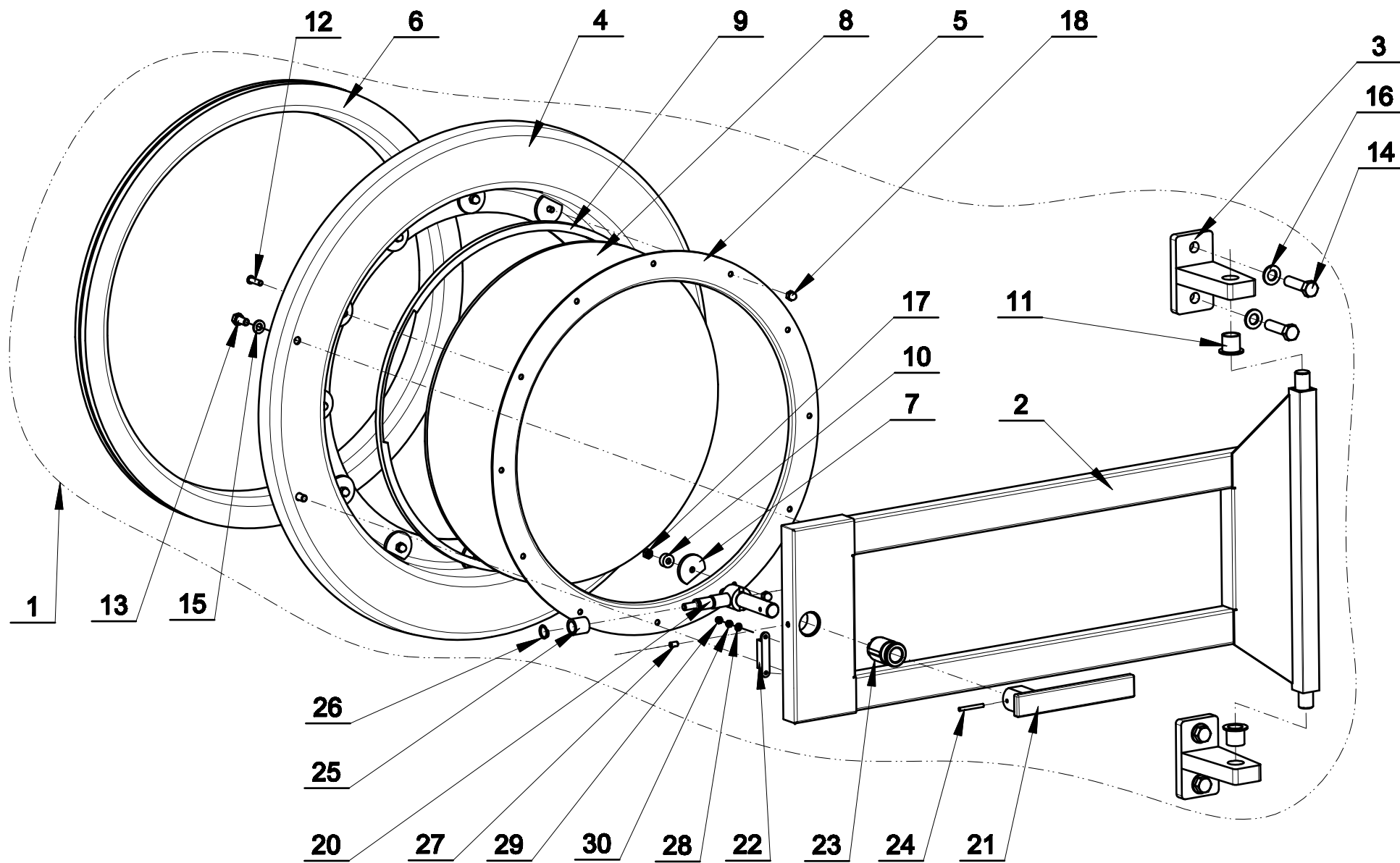
DRIVE 80-100-120 kg / 180-230-275 lb



Drive 80-100-120 kg / 180-230-275 lb: drawing nr. 554450

| | | | | | | |
|----|--------------|-------------------------|-------------------------|--|--|--|
| 1 | 102261 | 80 kg / 180 lb | Motor, 230/240V, 11kW | | | |
| 1 | 530894 | 100 kg / 230 lb | Motor, 230/400V, 15kW | | | |
| 1 | 506037 | 120 kg / 275 lb | Motor, 230/400V, 18,5kW | | | |
| 2 | 531219 | 80 kg / 180 lb | Motor support complete | | | |
| 2 | 547305 | 100 kg / 230 lb | Motor support complete | | | |
| 2 | 540495 | 120 kg / 275 lb | Motor support complete | | | |
| 3 | 526478 | 80 kg / 180 lb | Motor board | | | |
| 3 | 547306 | 100 kg / 230 lb | Motor board | | | |
| 3 | 540493 | 120 kg / 275 lb | Motor board | | | |
| 4 | 220311 | | Nut | | | |
| 5 | 531190 | 80 kg / 180 lb | Motor pulley | | | |
| 5 | 547308 | 100 kg / 230 lb | Motor pulley | | | |
| 5 | 540498 | 120 kg / 275 lb | Motor pulley | | | |
| 6 | 511924 | | Washer for pulley | | | |
| 7 | 311127000016 | | Washer 16 | | | |
| 8 | 552885 | | Bolt M16x40 | | | |
| 9 | 531249 | 80 kg / 180 lb | V-belt | | | |
| 9 | 545380 | 100-120 kg / 230-275 lb | V-belt | | | |
| 10 | 548070 | | Bolt M12x150 | | | |
| 11 | 310934000012 | | Nut M12 | | | |
| 12 | 311125000013 | | Washer 13 | | | |
| 13 | 311127000012 | | Washer 12 | | | |
| 14 | 309933001250 | | Bolt M12x50 | | | |
| 15 | 309933001235 | | Bolt M12x35 | | | |
| 16 | 101410 | | Cable bushing M40 | | | |
| 17 | 101407 | | Cable bushing M20 | | | |
| 18 | 528481 | | Ventilator | | | |
| 19 | 528482 | | Ventilator grate | | | |
| 20 | 309084000420 | | Bolt M4x20 | | | |
| 21 | 311125000004 | | Washer 4,3 | | | |
| 22 | 311127000004 | | Washer 4 | | | |
| 23 | 310934000004 | | Nut M4 | | | |
| | | | | | | |
| | | | | | | |
| | | | | | | |
| | | | | | | |
| | | | | | | |

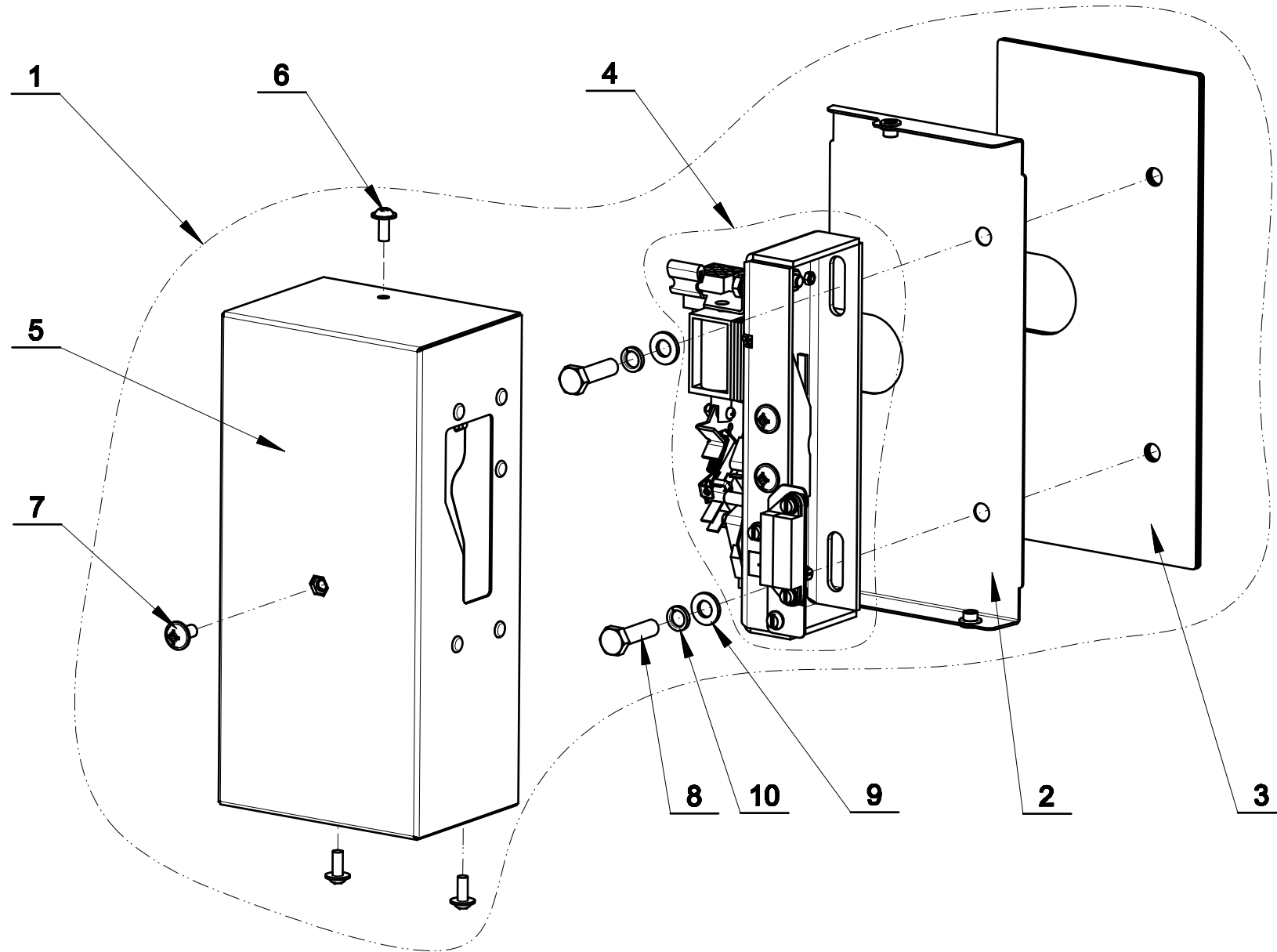
DOOR 80-100-120 kg / 180-230-275 lb



Door 80-100-120 kg / 180-230-275 lb: drawing nr. 554451

| | | | | | | |
|----|--------------|------------------------|----------------------------|--|--|--|
| 1 | 238022 | 80-100 kg / 180-230 lb | Complete door | | | |
| 1 | 238773 | 120 kg / 275 lb | Complete door | | | |
| 2 | 230112 | 80-100 kg / 180-230 lb | Door beam | | | |
| 2 | 230140 | 120 kg / 275 lb | Door beam | | | |
| 3 | 220448 | | Hinge | | | |
| 4 | 230016 | 80-100 kg / 180-230 lb | Door frame | | | |
| 4 | 230155 | 120 kg / 275 lb | Door frame | | | |
| 5 | 230017 | 80-100 kg / 180-230 lb | Door glass holder | | | |
| 5 | 230154 | 120 kg / 275 lb | Door glass holder | | | |
| 6 | 802123115 | 80-100 kg / 180-230 lb | Door seal | | | |
| 6 | 802123119 | 120 kg / 275 lb | Door seal | | | |
| 7 | 220322 | 80-100 kg / 180-230 lb | Washer | | | |
| 7 | 220159 | 120 kg / 275 lb | Washer | | | |
| 8 | 941001031 | 80-100 kg / 180-230 lb | Door glass | | | |
| 8 | 941001046 | 120 kg / 275 lb | Door glass | | | |
| 9 | 802123026 | 80-100 kg / 180-230 lb | Glass seal | | | |
| 9 | 802123036 | 120 kg / 275 lb | Glass seal | | | |
| 10 | 220321 | | Insertion piece | | | |
| 11 | 220301 | | Sleeve | | | |
| 12 | 220323 | | Bolt M6 | | | |
| 13 | 210072 | | Bolt M8x16 | | | |
| 14 | 210106 | | Bolt M12x45 | | | |
| 15 | 210015 | | Washer 8,4 | | | |
| 16 | 210019 | | Washer 13 | | | |
| 17 | 210038 | | Nut M6 | | | |
| 18 | 210028 | | Nut M6 | | | |
| 20 | F02107500014 | | Door lever | | | |
| 21 | F02107300024 | | Handle | | | |
| 22 | PRI346000032 | | Magnet for magnetic switch | | | |
| 23 | F02107002315 | | Displacing nut | | | |
| 24 | 313515004035 | | Pin 4x35 | | | |
| 25 | 323622641243 | | Sleeve | | | |
| 26 | 307732030014 | | Retaining ring 14 | | | |
| 27 | 309913000610 | | Bolt M6x10 | | | |
| 28 | 311125240004 | | Washer 4,3 | | | |
| 29 | 514193 | | Nut M4 | | | |
| 30 | 310934000004 | | Nut M4 | | | |
| | | | | | | |
| | | | | | | |
| | | | | | | |

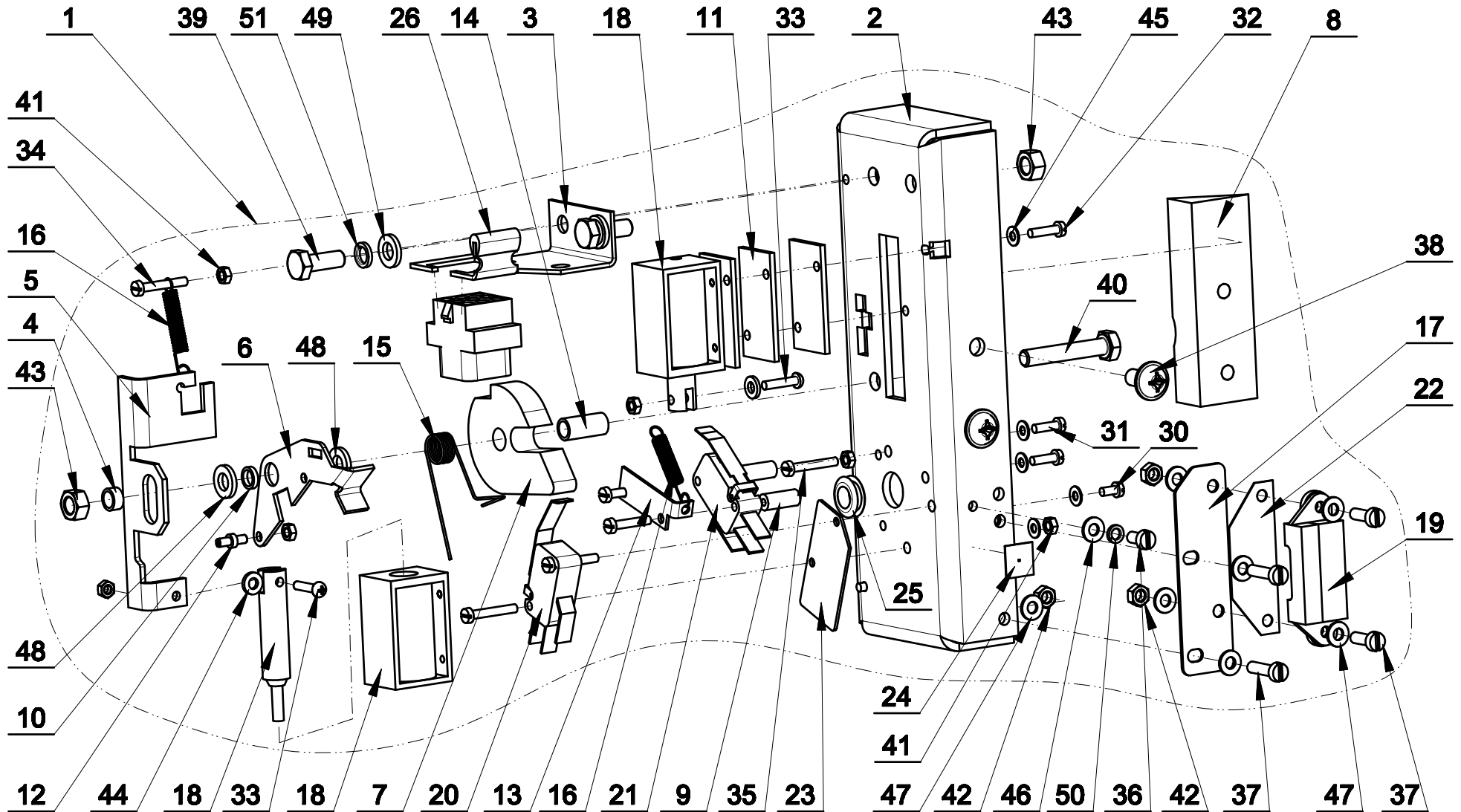
DOOR LOCK 80-100-120 kg / 180-230-275 lb



Door lock 80-100-120 kg / 180-230-275 lb: drawing nr. 554453

| | | | | | | |
|----|--------------|------------------------|-----------------------------------|--|--|--|
| 1 | 547315 | 80-100 kg / 180-230 lb | Door lock complete | | | |
| 1 | 540482 | 120 kg / 275 lb | Door lock complete | | | |
| 2 | 547348 | 80-100 kg / 180-230 lb | Door lock holder complete | | | |
| 2 | 540483 | 120 kg / 275 lb | Door lock holder complete | | | |
| 3 | 547349 | 80-100 kg / 180-230 lb | Door lock washer | | | |
| 3 | 540487 | 120 kg / 275 lb | Door lock washer | | | |
| 4 | - | | Door lock, see drawing nr. 554452 | | | |
| 5 | 547350 | 80-100 kg / 180-230 lb | Door lock cover complete | | | |
| 5 | 540484 | 120 kg / 275 lb | Door lock cover complete | | | |
| 6 | 503572 | | Bolt M5x12 | | | |
| 7 | 309595240612 | | Bolt M6x12 | | | |
| 8 | 309933240830 | | Bolt M8x30 | | | |
| 9 | 311125240008 | | Washer 8,4 | | | |
| 10 | 311127240008 | | Washer 8 | | | |
| | | | | | | |
| | | | | | | |
| | | | | | | |
| | | | | | | |
| | | | | | | |
| | | | | | | |
| | | | | | | |
| | | | | | | |
| | | | | | | |
| | | | | | | |
| | | | | | | |
| | | | | | | |
| | | | | | | |
| | | | | | | |
| | | | | | | |
| | | | | | | |

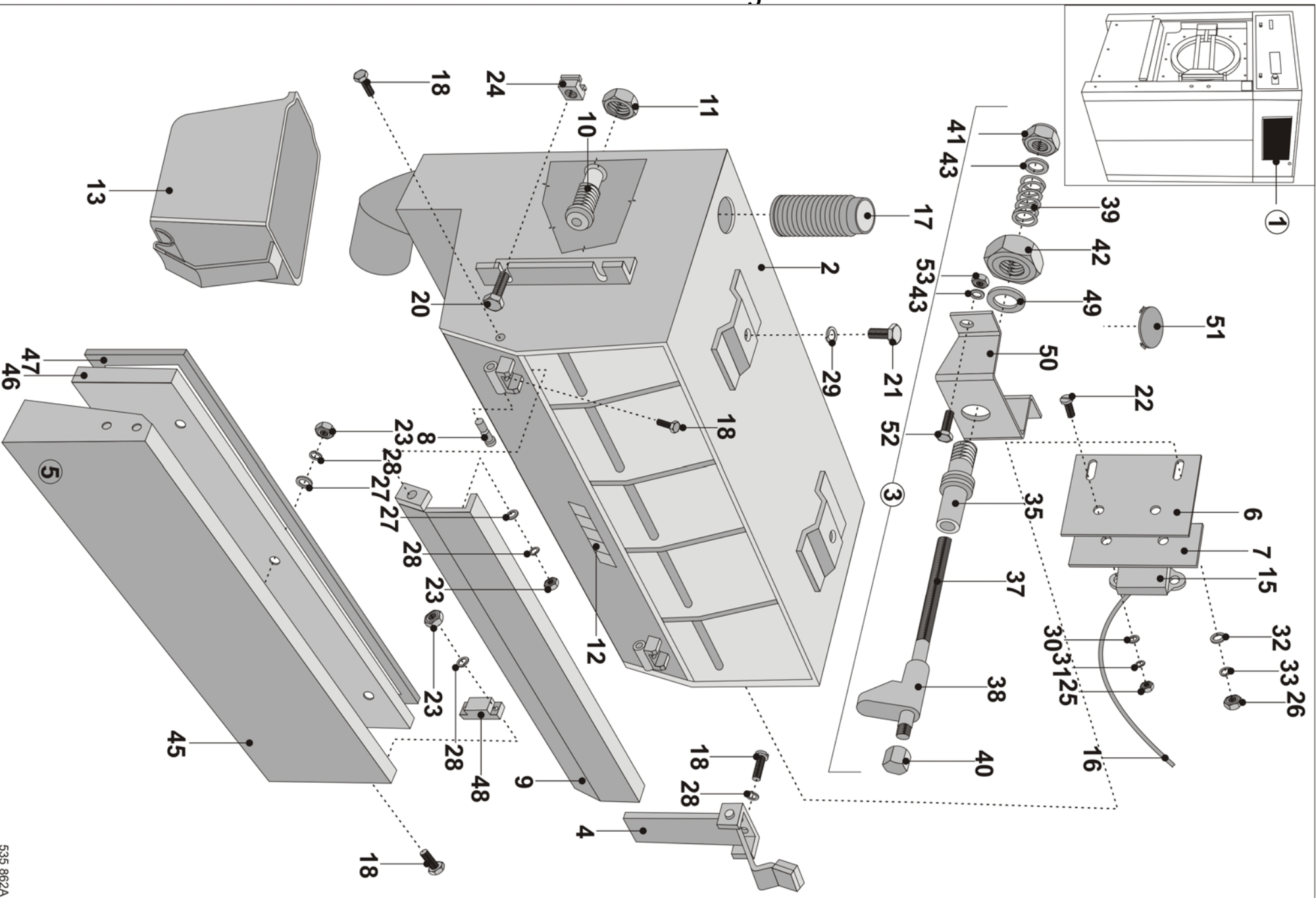
DOOR LOCK 80-100-120 kg / 180-230-275 lb



Door lock 80-100-120 kg / 180-230-275 lb: drawing nr. 554452

| | | | | | |
|----|--------------|------------------------|--|--|--|
| 1 | 530714 | Door lock complete | | | |
| 2 | 511241 | Element | | | |
| 3 | 530709 | Connector holder | | | |
| 4 | 533712 | Tube | | | |
| 5 | 533710 | Gate | | | |
| 6 | 515453 | Link | | | |
| 7 | F02117001214 | Cam | | | |
| 8 | F02117001314 | Rising section | | | |
| 9 | F02117001424 | Column | | | |
| 10 | F02117001714 | Ring | | | |
| 11 | F02117002414 | Coil washer | | | |
| 12 | F02117002514 | Pin | | | |
| 13 | F02117002614 | Coil holder | | | |
| 14 | 518680 | Tube | | | |
| 15 | 315002015014 | Spring | | | |
| 16 | PRI611000007 | Spring | | | |
| 17 | 547355 | Magnetic switch washer | | | |
| 18 | F02117001814 | Coil-modification | | | |
| 19 | PRI346000032 | Magnetic switch | | | |
| 20 | F02117002114 | Microswitch | | | |
| 21 | F02117002224 | Microswitch | | | |
| 22 | F02110001314 | Insulation paper | | | |
| 23 | 101154 | Insulation paper | | | |
| 24 | PRI551000001 | Earthing index plate | | | |
| 25 | 273121008002 | Cable bushing | | | |
| 26 | PRI505000058 | Profiled sealing | | | |
| 30 | 309084000306 | Bolt M3x6 | | | |
| 31 | 309084000310 | Bolt M3x10 | | | |
| 32 | 309084240312 | Bolt M3x12 | | | |
| 33 | 309798500314 | Bolt M3x14 | | | |
| 34 | 309084000316 | Bolt M3x16 | | | |
| 35 | 309084000320 | Bolt M3x20 | | | |
| 36 | 309084100408 | Bolt M4x8 | | | |
| 37 | 309084000416 | Bolt M4x16 | | | |
| 38 | 309595240612 | Bolt M6x12 | | | |
| 39 | 309933000616 | Bolt M6x16 | | | |
| 40 | 518556 | Bolt M6x35 | | | |
| 41 | 310934000003 | Nut M3 | | | |
| 42 | 310934000004 | Nut M4 | | | |
| 43 | 310934000006 | Nut M6 | | | |
| 44 | 555746 | Plastic washer | | | |
| 45 | 311125000003 | Washer 3,2 | | | |
| 46 | 311125100004 | Washer 4,3 | | | |
| 47 | 311125000004 | Washer 4,3 | | | |
| 48 | 311125100006 | Washer 6,4 | | | |
| 49 | 311125000006 | Washer 6,4 | | | |
| 50 | 311127000004 | Washer 4 | | | |
| 51 | 311127000006 | Washer 6 | | | |
| | | | | | |

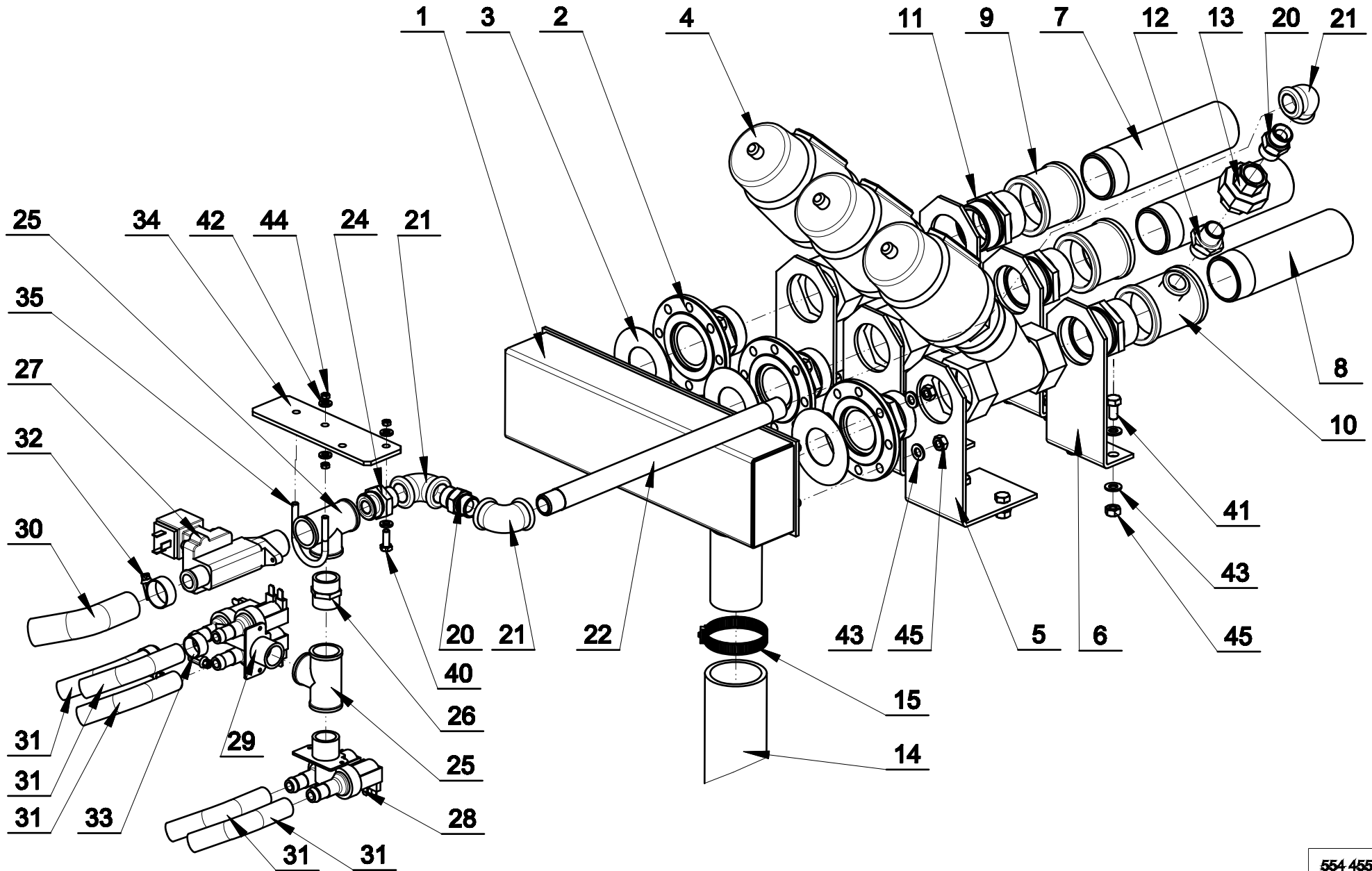
SOAP HOPPER 80-100-120 kg / 180-230-275 lb



Soap hopper 80-100-120 kg / 180-230-275 lb: drawing nr. 535862A

| | | | | | |
|----|--------------|-----------------------------------|--|--|--|
| 1 | 555020 | Complete soaphopper | | | |
| 2 | 555021 | Soaphopper weldment | | | |
| 3 | 535519 | Lock for soaphopper | | | |
| 4 | 235110200014 | Overseal | | | |
| 5 | 223110600013 | Cover of the soaphopper | | | |
| 6 | F02110001214 | Holder | | | |
| 7 | F02110001314 | Insulation paper | | | |
| 8 | 235110001215 | Door pin | | | |
| 9 | 235110001413 | Cover | | | |
| 10 | 235110001614 | Nozzle | | | |
| 11 | 235110001715 | Nut | | | |
| 12 | 548000091014 | Index plate of soaphoppers | | | |
| 13 | 321848223000 | Plastic vessel | | | |
| 15 | PRI346000032 | Magnetic switch | | | |
| 16 | 283362004915 | Insulation tube | | | |
| 17 | PRI504000069 | Rubber elbow | | | |
| 18 | 309933240408 | Bolt M4x8 | | | |
| 20 | 309933240612 | Bolt M6x12 | | | |
| 21 | 309933000610 | Bolt M6x10 | | | |
| 22 | 309084000310 | Bolt M3x10 | | | |
| 23 | 310934240004 | Nut M4 | | | |
| 24 | PRI229000004 | Nut M6 | | | |
| 25 | 310934000003 | Nut M3 | | | |
| 26 | 310934000004 | Nut M4 | | | |
| 27 | 311125240004 | Washer 4,3 | | | |
| 28 | 311127240004 | Washer 4 | | | |
| 29 | 311127000006 | Washer 6 | | | |
| 30 | 311125000003 | Washer 3,2 | | | |
| 31 | 311127000003 | Washer 3 | | | |
| 32 | 311125000004 | Washer 4,3 | | | |
| 33 | 311127000004 | Washer 4 | | | |
| 35 | 223110200115 | Pin | | | |
| 37 | 223110200415 | Bolt | | | |
| 38 | 321848480023 | Safety lever | | | |
| 39 | 120102302325 | Spring | | | |
| 40 | 310917240006 | Nut M6 | | | |
| 41 | 310985000006 | Nut M6 | | | |
| 42 | 310934000012 | Nut M12 | | | |
| 43 | 311125000006 | Washer 6,4 | | | |
| 45 | 223110700013 | Complete cover for the soaphopper | | | |
| 46 | 235111200013 | Cover insert | | | |
| 47 | 273442021020 | Sealing | | | |
| 48 | PRI346000031 | Magnet for magnetic switch | | | |
| 49 | 311127000012 | Washer 12 | | | |
| 50 | 535518 | Bracket | | | |
| 51 | 345900043132 | Plug | | | |
| 52 | 309933000616 | Bolt M6x16 | | | |
| 53 | 310934000006 | Nut M6 | | | |
| | | | | | |

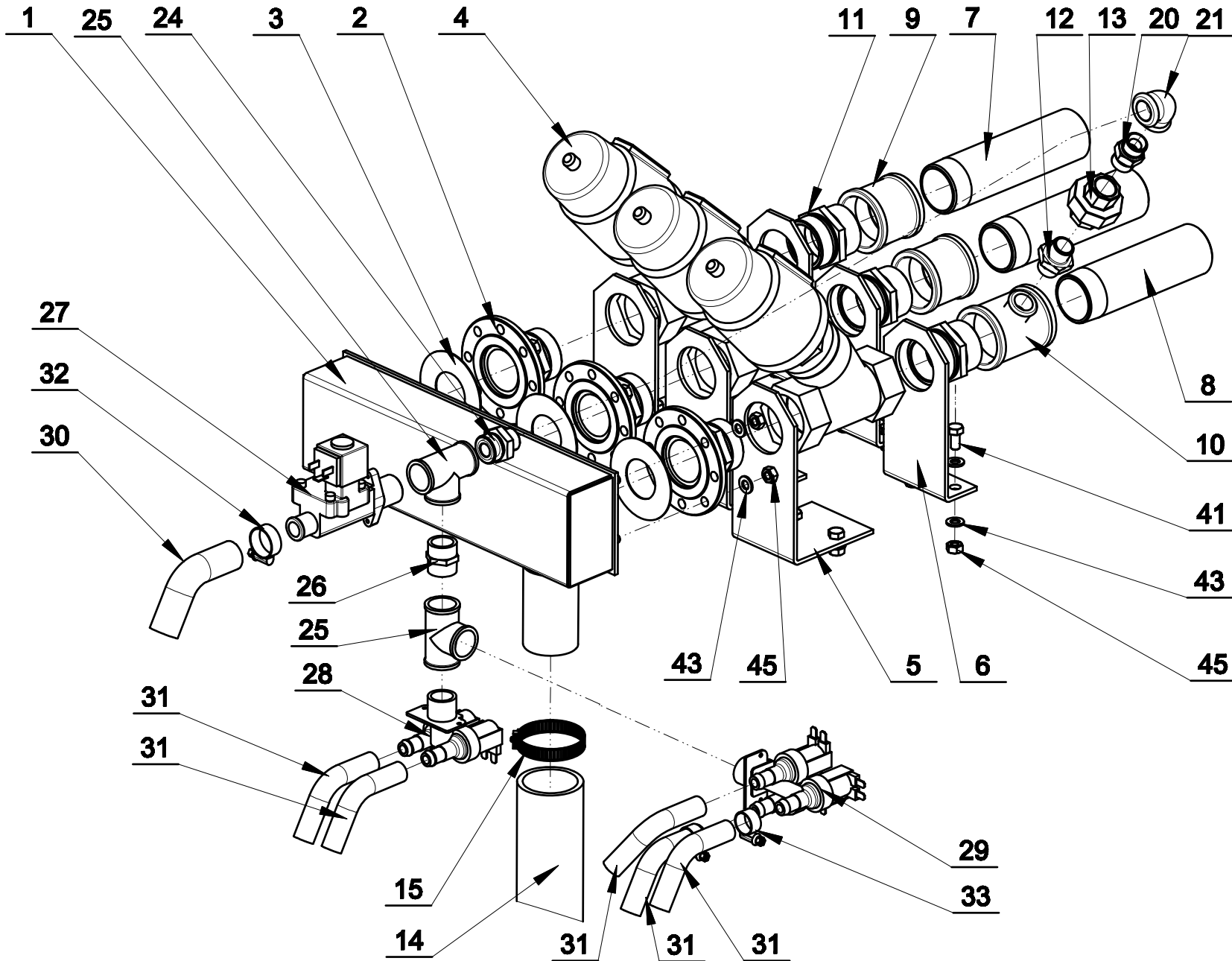
FILLING VALVES 80 kg / 180 lb



Filling valves 80 kg / 180 lb: drawing nr. 554455

| | | | | | |
|----|--------------|---|--|--|--|
| 1 | 220491 | Header tank | | | |
| 2 | 220490 | Washer | | | |
| 3 | 191005115 | Sealing | | | |
| 4 | 250204035 | Pneumatic valve 1 ½" DN40 | | | |
| 5 | 230107 | Inlet valve holder – long | | | |
| 6 | 230108 | Inlet valve holder – short | | | |
| 7 | 220347 | Inlet tube 1 | | | |
| 8 | 220489 | Inlet tube 2 | | | |
| 9 | 210387 | Outer joint DN40 | | | |
| 10 | 210392 | "T" – part (DN40 DN15) | | | |
| 11 | 220349 | Reducing nipple DN40 | | | |
| 12 | 210400 | Pipe nipple DN15 | | | |
| 13 | 265108131 | Pipe nipple DN15 | | | |
| - | 210408 | Plug DN15, version without soap hopper, (not shown) | | | |
| 14 | 800907090 | Hose for header tank-tub | | | |
| 15 | 210416 | Hose clamp | | | |
| 20 | R22112000114 | Pipe nipple DN15 | | | |
| 21 | 319428320504 | Elbow ½" | | | |
| 22 | 553212 | Tube ½" | | | |
| 24 | 531256 | Pipe nipple ¾" x ½" | | | |
| 25 | PRI426001107 | T -part ¾" | | | |
| 26 | PRI426001217 | Pipe nipple ¾" | | | |
| 27 | PRI340200056 | 1-way inlet valve ¾", version with soap hopper | | | |
| 28 | PRI340020035 | Inlet valve 2-way, version with soap hopper | | | |
| 29 | PRI340030038 | Inlet valve 3-way, version with soap hopper | | | |
| 30 | PRI540001019 | Hose d19x27 | | | |
| 31 | PRI540000014 | Hose d13x19 | | | |
| 32 | PRI240000003 | Hose clamp 20-32 | | | |
| 33 | PRI240000002 | Hose clamp 12-22 | | | |
| 34 | 552897 | Pipe holder | | | |
| 35 | 508310 | Clip R18 | | | |
| 40 | 309933000616 | Bolt M6x16 | | | |
| 41 | 309933240820 | Bolt M8x20 | | | |
| 42 | 311125000006 | Washer 6,4 | | | |
| 43 | 311125240008 | Washer 8,4 | | | |
| 44 | 310934000006 | Nut M6 | | | |
| 45 | 310934240008 | Nut M8 | | | |
| | | | | | |
| | | | | | |
| | | | | | |

FILLING VALVES 100-120 kg / 230-275 lb

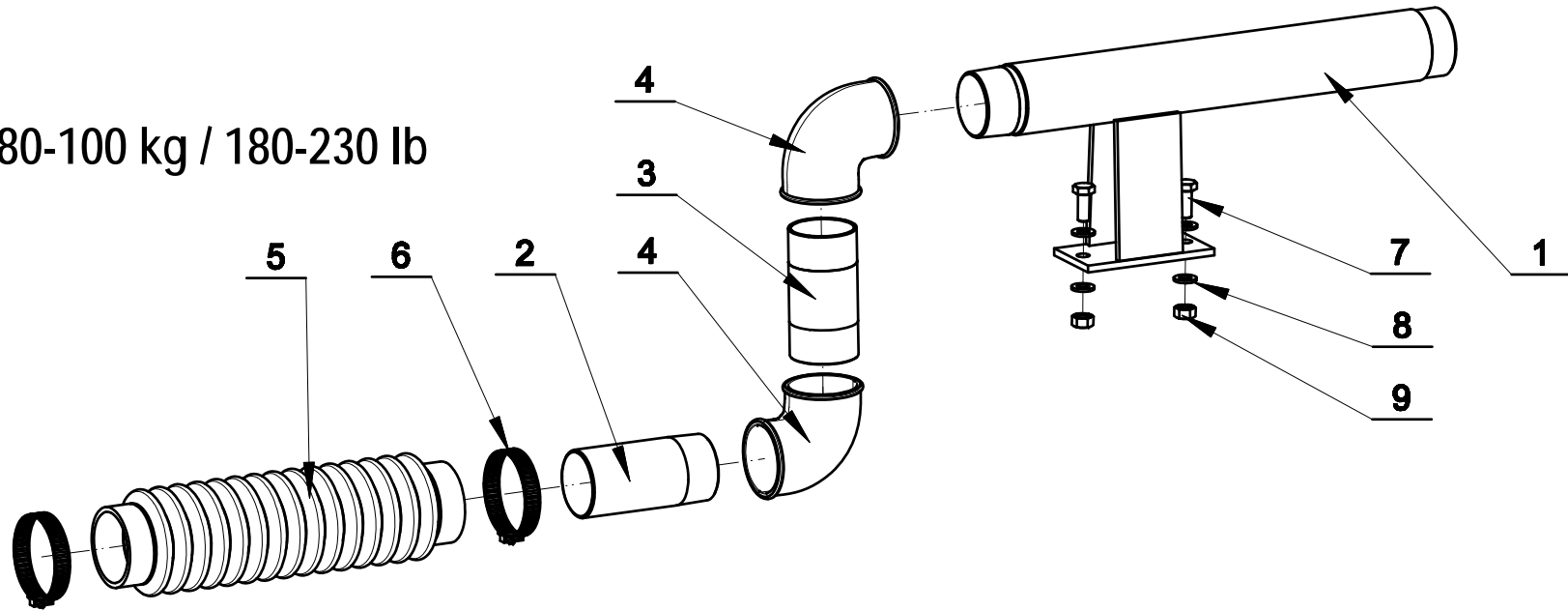


Filling valves 100-120 kg / 230-275 lb: drawing nr. 554456

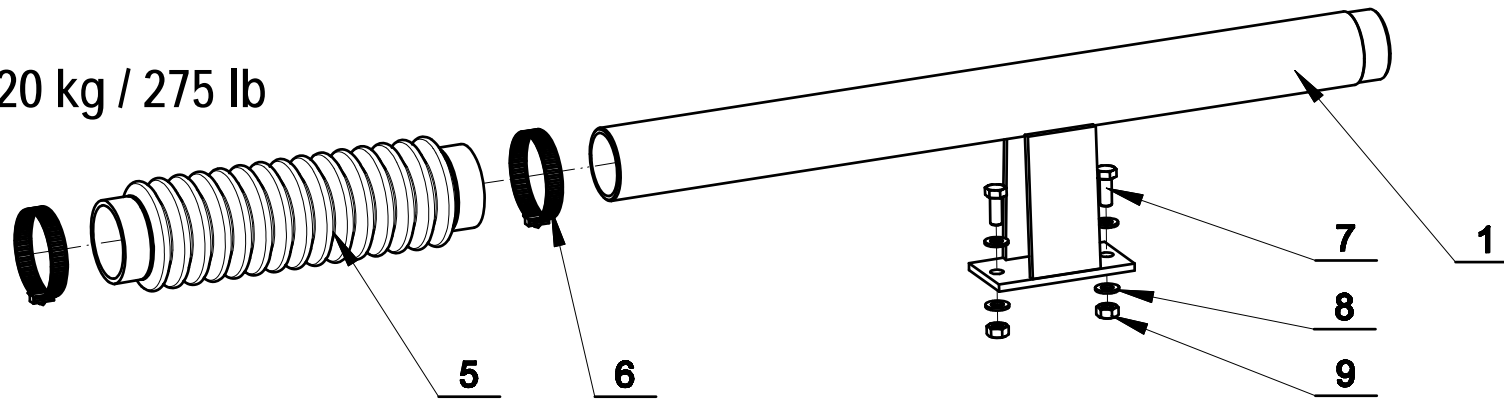
| | | | | | |
|----|--------------|---|--|--|--|
| 1 | 220491 | Header tank | | | |
| 2 | 220490 | Washer | | | |
| 3 | 191005115 | Sealing | | | |
| 4 | 250204035 | Pneumatic valve 1 ½" DN40 | | | |
| 5 | 230107 | Inlet valve holder – long | | | |
| 6 | 230108 | Inlet valve holder – short | | | |
| 7 | 220347 | Inlet tube 1 | | | |
| 8 | 220489 | Inlet tube 2 | | | |
| 9 | 210387 | Outer joint DN40 | | | |
| 10 | 210392 | "T" – part (DN40 DN15) | | | |
| 11 | 220349 | Reducing nipple DN40 | | | |
| 12 | 210400 | Pipe nipple DN15 | | | |
| 13 | 265108131 | Pipe nipple DN15 | | | |
| - | 210408 | Plug DN15, version without soap hopper, (not shown) | | | |
| 14 | 800907090 | Hose for header tank-tub | | | |
| 15 | 210416 | Hose clamp | | | |
| 20 | R22112000114 | Pipe nipple DN15 | | | |
| 21 | 319428320504 | Elbow ½" | | | |
| 24 | 531256 | Pipe nipple ¾" x ½" | | | |
| 25 | PRI426001107 | T -part ¾" | | | |
| 26 | PRI426001217 | Pipe nipple ¾" | | | |
| 27 | PRI340200056 | 1-way inlet valve ¾", version with soap hopper | | | |
| 28 | PRI340020035 | Inlet valve 2-way, version with soap hopper | | | |
| 29 | PRI340030038 | Inlet valve 3-way, version with soap hopper | | | |
| 30 | PRI540001019 | Hose d19x27 | | | |
| 31 | PRI540000014 | Hose d13x19 | | | |
| 32 | PRI240000003 | Hose clamp 20-32 | | | |
| 33 | PRI240000002 | Hose clamp 12-22 | | | |
| 41 | 309933240820 | Bolt M8x20 | | | |
| 43 | 311125240008 | Washer 8,4 | | | |
| 45 | 310934240008 | Nut M8 | | | |
| | | | | | |
| | | | | | |
| | | | | | |
| | | | | | |
| | | | | | |

DRUM VENTILATION 80-100-120 kg / 180-230-275 lb

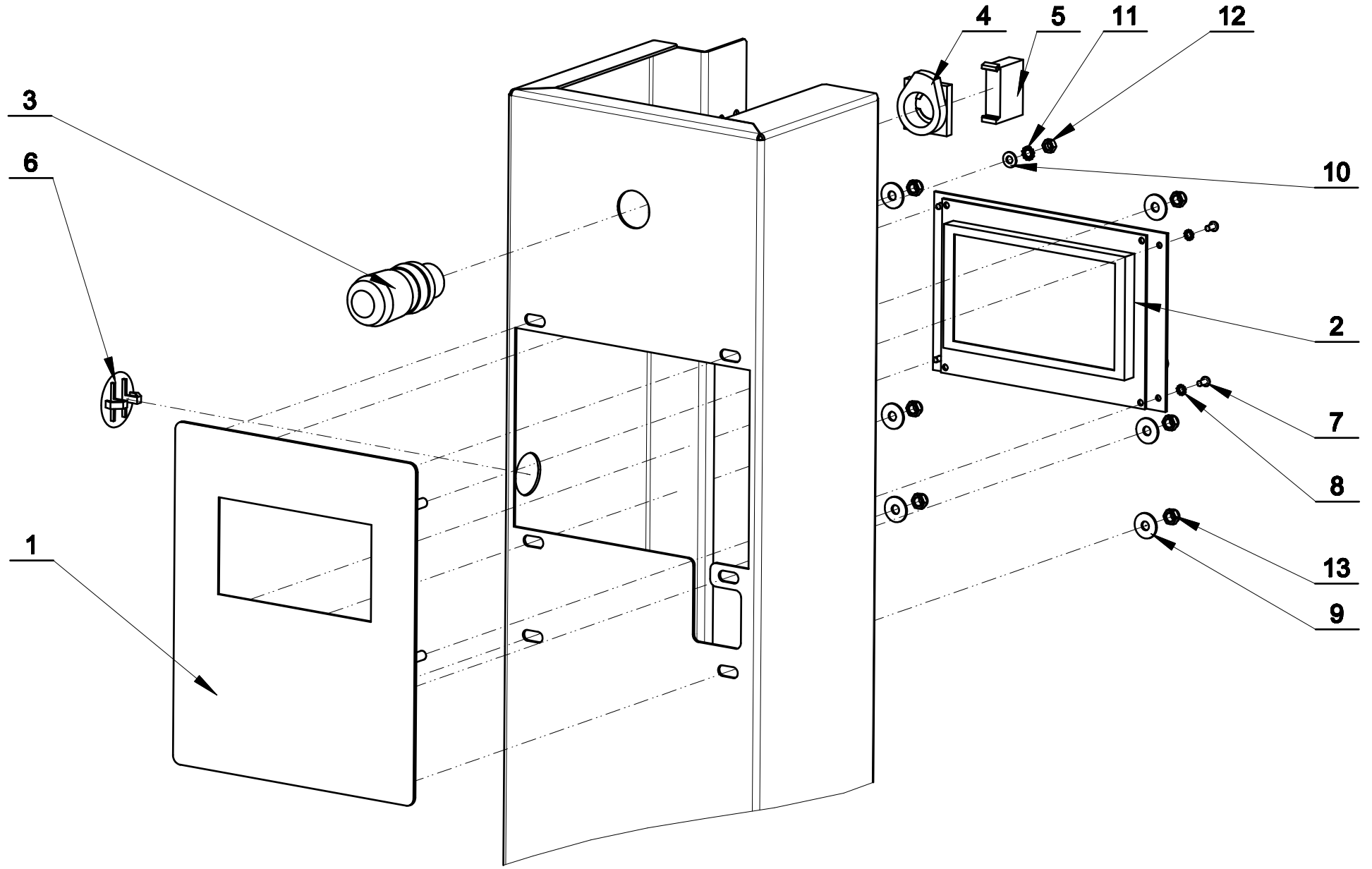
80-100 kg / 180-230 lb



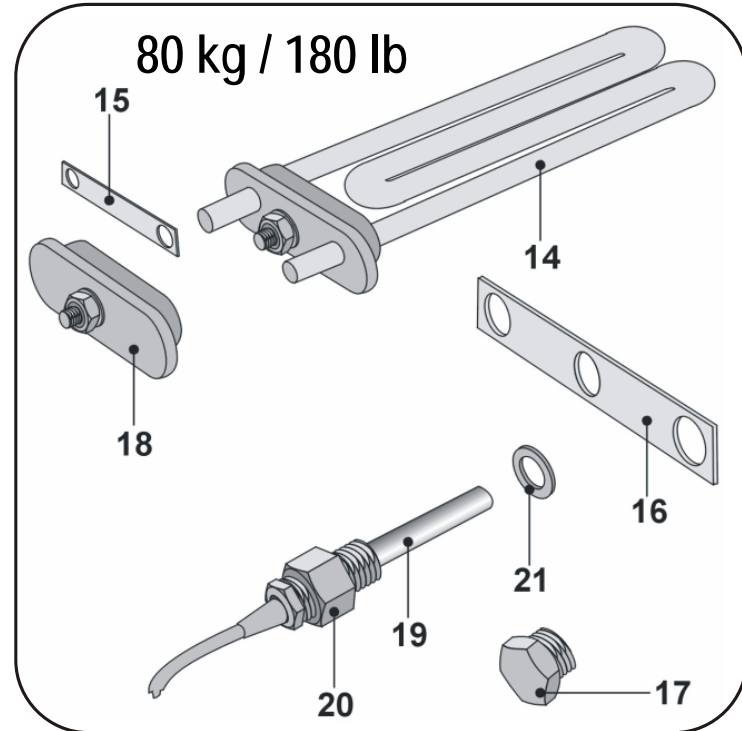
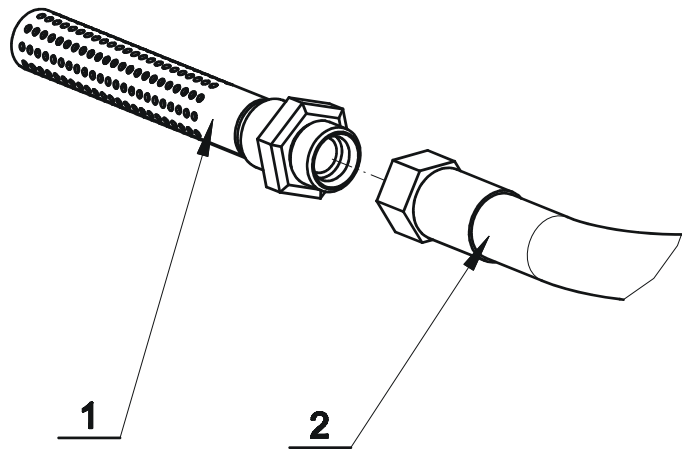
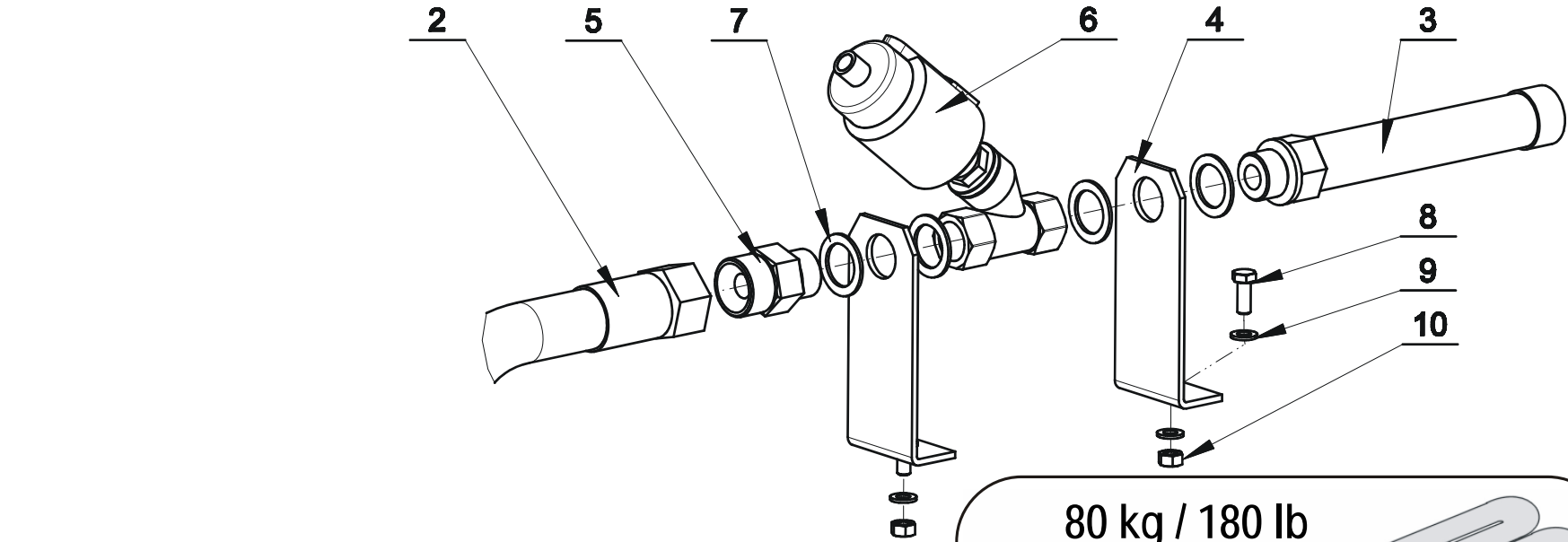
120 kg / 275 lb



CONTROL PANEL 80-100-120 kg / 180-230-275 lb



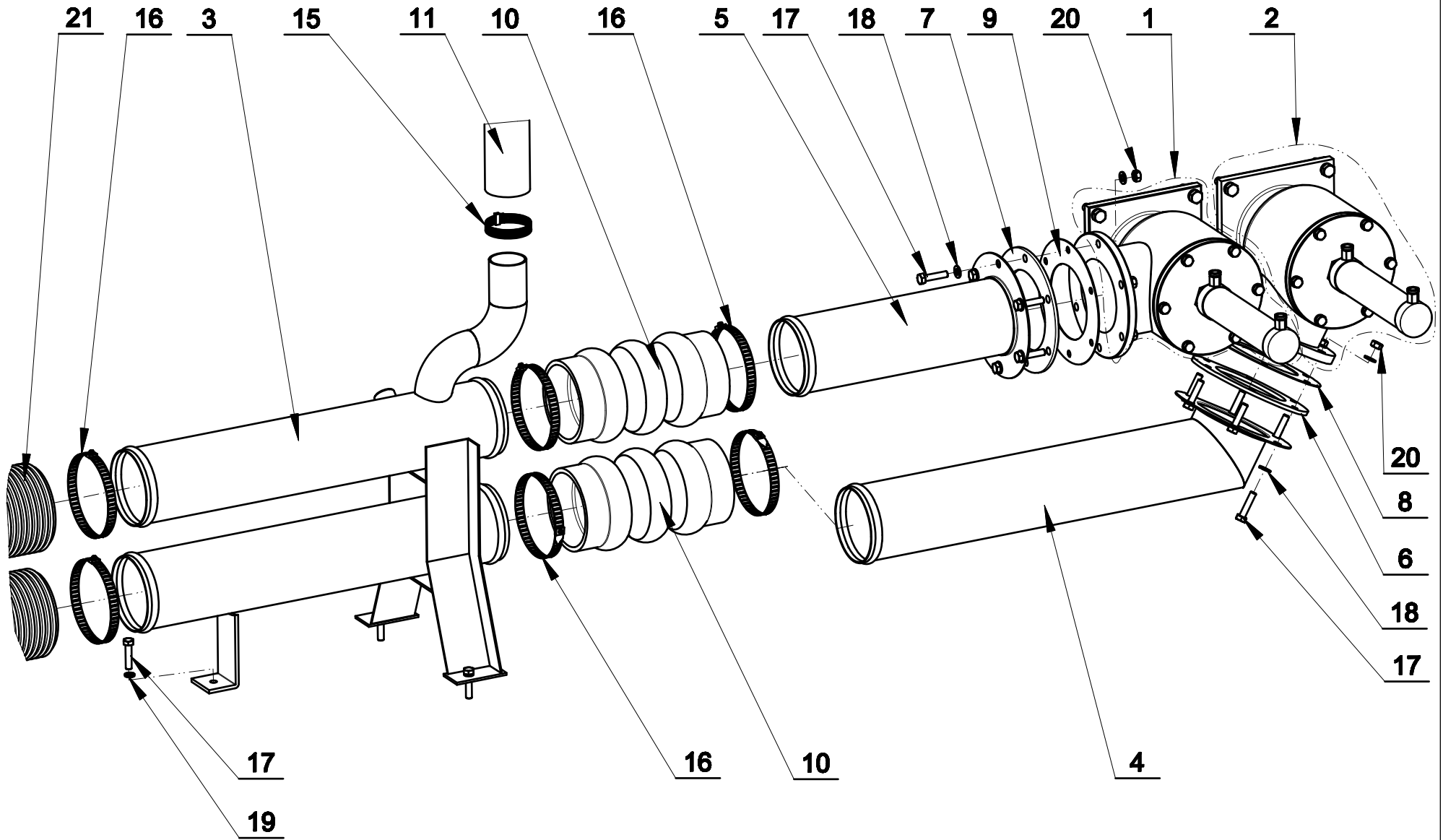
STEAM HEATING 80-100-120 kg / 180-230-275 lb, ELECTRICAL HEATING 80 kg / 180 lb



Steam heating 80-100-120 kg / 180-230-275 lb, Electrical heating 80 kg / 180 lb: drawing nr. 554460

| | | | | | | |
|----|--------------|----------------|--|--|--|--|
| 1 | 220360 | | Steam injector | | | |
| 2 | 555090 | | Steam hose | | | |
| 3 | 220500 | | Steam tube | | | |
| 4 | 230109 | | Holder | | | |
| 5 | 220376 | | Pipe nipple DN20 | | | |
| 6 | 250007143 | | Steam valve 1" DN20 | | | |
| 7 | 220375 | | Washer | | | |
| 8 | 210073 | | Bolt M8x20 | | | |
| 9 | 210014 | | Washer 8,4 | | | |
| 10 | 210039 | | Nut M8 | | | |
| 14 | 531227 | 80 kg / 180 lb | Heating element 2x2,5kW | | | |
| 15 | B01100025014 | 80 kg / 180 lb | Interconnection of heating element 1 | | | |
| 16 | B01100025114 | 80 kg / 180 lb | Interconnection of heating element 2 | | | |
| 17 | 531282 | 80 kg / 180 lb | Plug M39x2, electrical heating | | | |
| 18 | PRI342001016 | 80 kg / 180 lb | Heating element hole plug | | | |
| 19 | 503839 | 80 kg / 180 lb | Temperature sensor | | | |
| 20 | PRI614000047 | 80 kg / 180 lb | Holder thermostat sensor (includes 516981) | | | |
| - | 516981 | 80 kg / 180 lb | Sealing ring, (not shown) | | | |
| 21 | PRI524000001 | 80 kg / 180 lb | Sealing ring | | | |
| | | | | | | |
| | | | | | | |
| | | | | | | |
| | | | | | | |
| | | | | | | |
| | | | | | | |
| | | | | | | |
| | | | | | | |
| | | | | | | |
| | | | | | | |

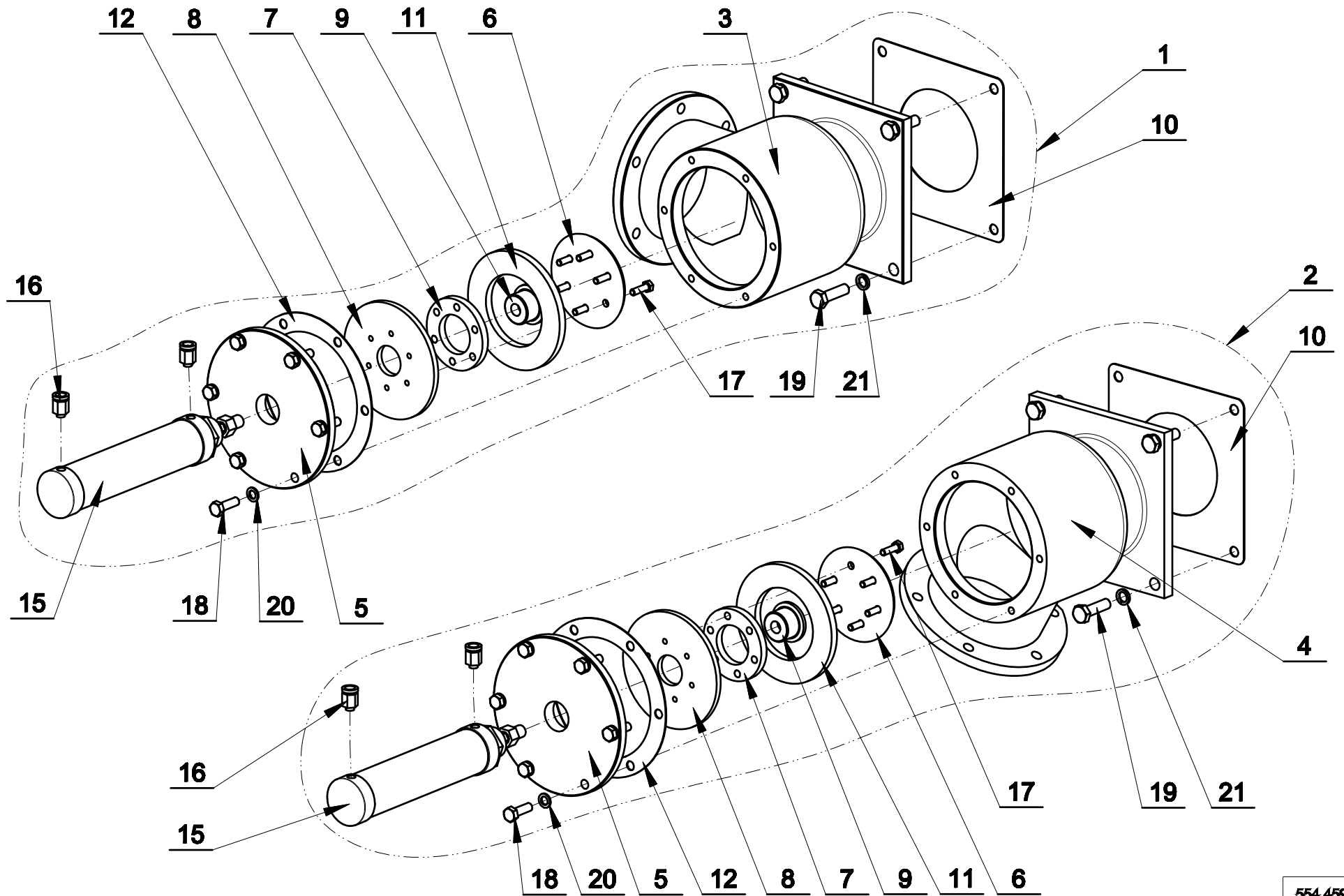
DRAIN SYSTEM 80-100-120 kg / 180-230-275 lb



Drain system 80-100-120 kg / 180-230-275 lb: drawing nr. 554458

| | | | | | | |
|----|-----------|-------------------------|--|--|--|--|
| 1 | - | | Straight drain valve complete, (DN100), see drawing nr. 555459 | | | |
| 1 | - | | Slanting drain valve complete, (DN100), see drawing nr. 555459 | | | |
| 2 | - | | | | | |
| 2 | - | | | | | |
| 3 | 230104 | 80 kg / 180 lb | Drain hoses holder | | | |
| 3 | 230128 | 100 kg / 230 lb | Drain hoses holder | | | |
| 3 | 230162 | 120 kg / 275 lb | Drain hoses holder | | | |
| 4 | 230110 | 80 kg / 180 lb | Slanting drain pipe | | | |
| 4 | 230130 | 100-120 kg / 230-275 lb | Slanting drain pipe | | | |
| 5 | 230103 | 80 kg / 180 lb | Straight drain pipe | | | |
| 5 | 230129 | 100-120 kg / 230-275 lb | Straight drain pipe | | | |
| 6 | 220493 | | Flange | | | |
| 7 | 220492 | | Flange | | | |
| 8 | 238019 | | Sealing A | | | |
| 9 | 238018 | | Sealing B | | | |
| 10 | 802123123 | | Hose | | | |
| 11 | 800907090 | 80-120 kg / 180-275 lb | Hose | | | |
| 11 | 802124010 | 100 kg / 230 lb | Hose | | | |
| 15 | 210416 | | Hose clamp Ø44 - Ø64 | | | |
| 16 | 210414 | | Hose clamp Ø102 - Ø127 | | | |
| 17 | 210079 | | Bolt M8x35 | | | |
| 18 | 210014 | | Washer 8,4 | | | |
| 19 | 210003 | | Washer 8 | | | |
| 20 | 210039 | | Nut M8 | | | |
| 21 | 523770 | | Hose | | | |
| | | | | | | |
| | | | | | | |
| | | | | | | |
| | | | | | | |
| | | | | | | |
| | | | | | | |
| | | | | | | |
| | | | | | | |

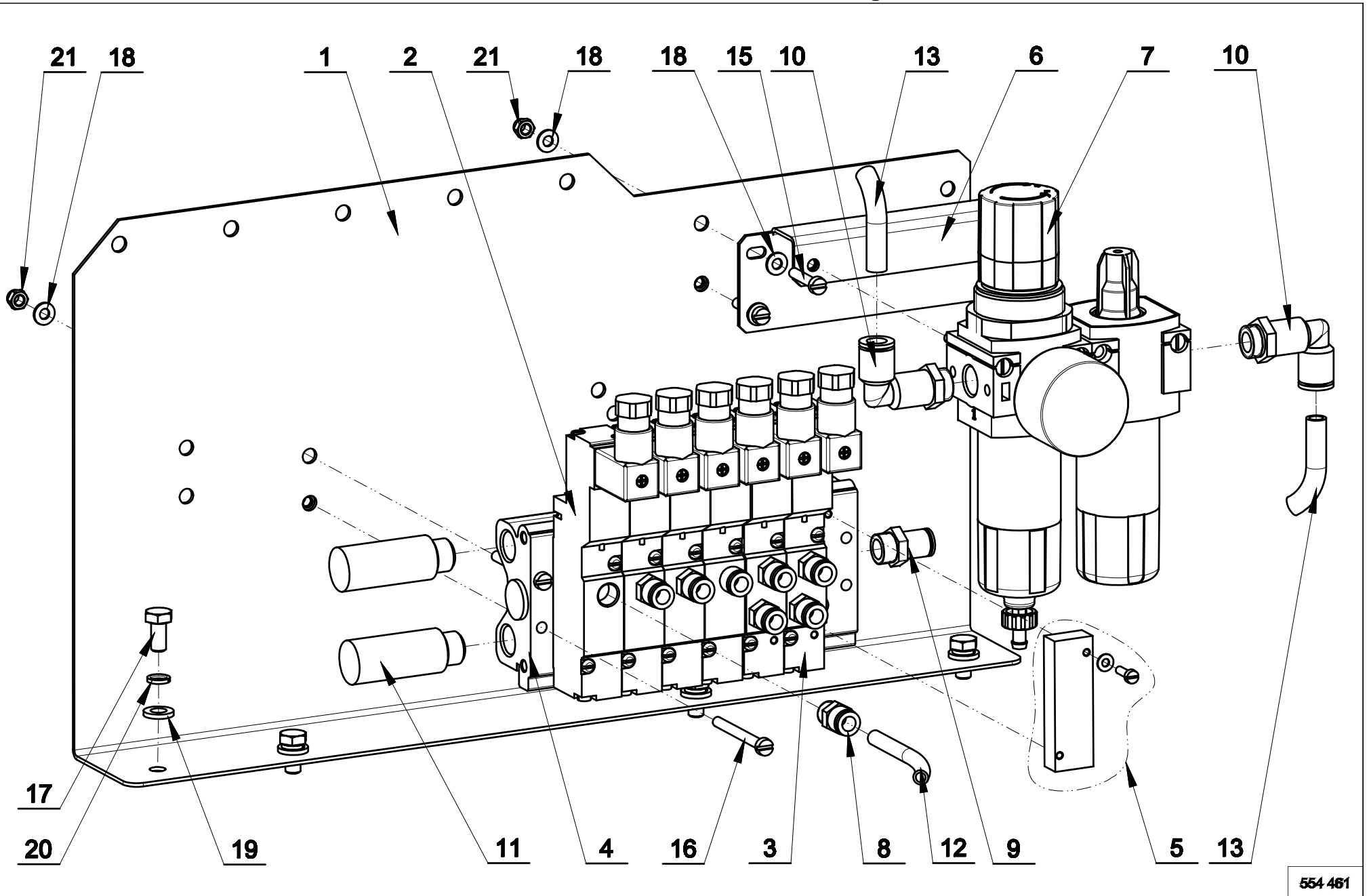
DRAIN VALVES 80-100-120 kg / 180-230-275 lb



Drain valves 80-100-120 kg / 180-230-275 lb: drawing nr. 554459

| | | | | | |
|----|-----------|--|--|--|--|
| 1 | 238020 | Straight drain valve complete, (DN100) | | | |
| 2 | 238021 | Slanting drain valve complete, (DN100) | | | |
| 3 | 230120 | Straight drain valve body | | | |
| 4 | 230119 | Slanting drain valve body | | | |
| 5 | 220494 | Drain valve cover | | | |
| 6 | 220497 | Pressure plate | | | |
| 7 | 220498 | Flange | | | |
| 8 | 220496 | Pressure plate | | | |
| 9 | 220370 | Sleeve | | | |
| 10 | 238017 | Drain valve sealing | | | |
| 11 | 800701051 | Sealing | | | |
| 12 | 220775 | Sealing for drain valve cover | | | |
| 15 | 254410320 | Pneumatic valve | | | |
| 16 | 210354 | Pipe nipple 6-G½" | | | |
| 17 | 210062 | Bolt M6x20 | | | |
| 18 | 210075 | Bolt M8x25 | | | |
| 19 | 210092 | Bolt M10x35 | | | |
| 20 | 220371 | Washer 8 | | | |
| 21 | 210004 | Washer 10 | | | |
| | | | | | |
| | | | | | |
| | | | | | |
| | | | | | |
| | | | | | |
| | | | | | |
| | | | | | |
| | | | | | |
| | | | | | |
| | | | | | |

PNEUMATIC COMPONENTS 80-100-120 kg / 180-230-275 lb



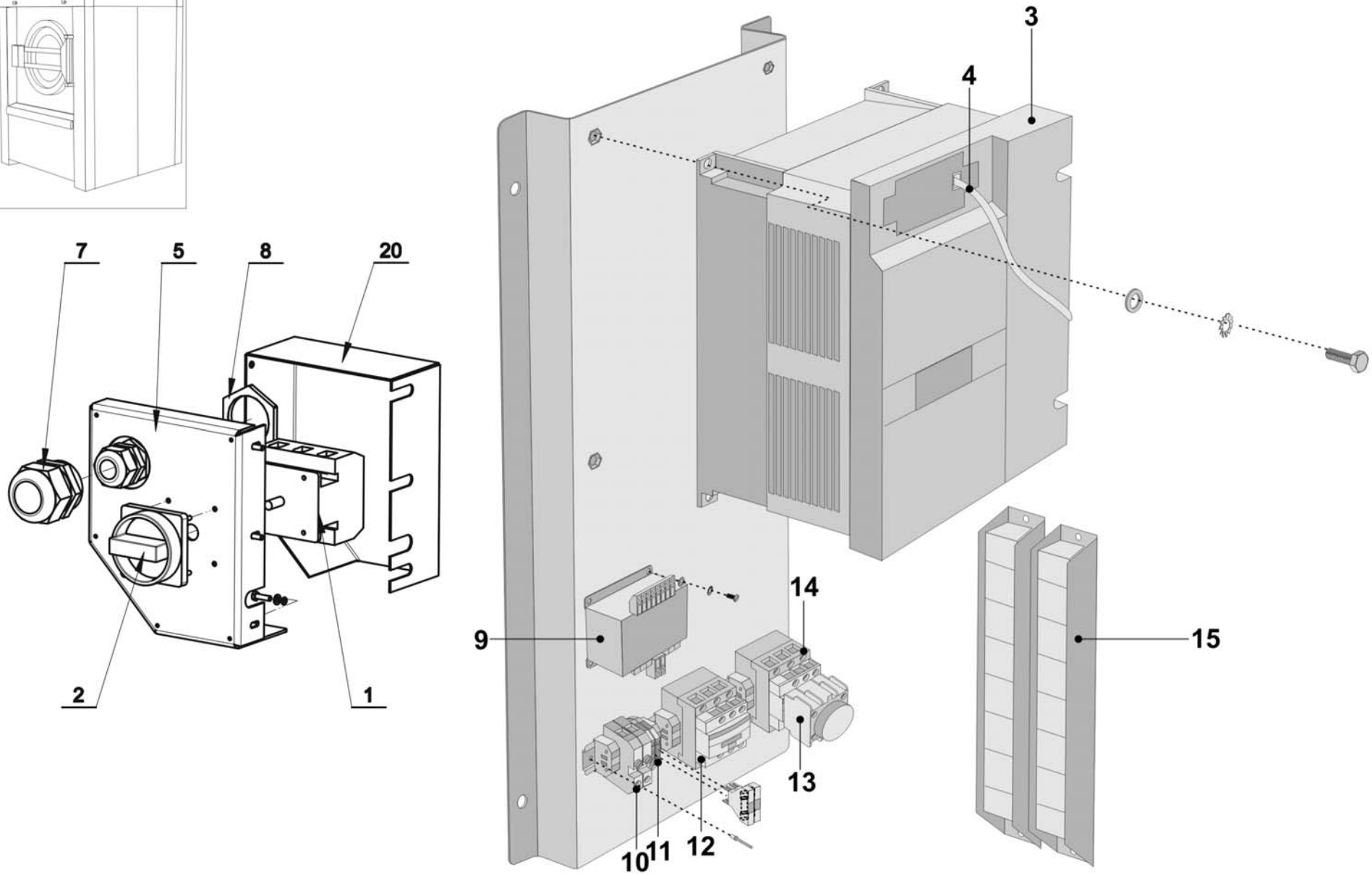
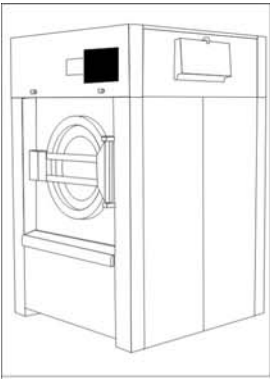
Pneumatic components 80-100-120 kg / 180-230-275 lb: drawing nr. 554461

| | | | | | |
|----|--------------|--|--|--|--|
| 1 | 553238 | Pneumatic components plate | | | |
| 2 | 536502 | Electromagnetic valve, MEBH-3/2, G $\frac{1}{8}$ "-P-B , 230V AC, Festo, (includes 536509, does include 536505) | | | |
| 2 | - | | | | |
| 3 | 536503 | Electromagnetic valve, MEBH-5/2, G $\frac{1}{8}$ "-P-B , 230V AC, Festo, (includes 536509, does include 536505) | | | |
| 3 | - | | | | |
| - | 536509 | Electromagnetic coil for electromagnetic valve Festo | | | |
| - | 536505 | Connector for electromagnetic valve Festo | | | |
| 4 | 536507 | Connecting block | | | |
| 5 | 536508 | Topper | | | |
| 6 | 548952 | Regulator holder | | | |
| 7 | 548953 | Filter + regulator + lubricator, G $\frac{1}{4}$ " | | | |
| 8 | 319428330006 | Pipe nipple 6-G $\frac{1}{8}$ " | | | |
| 9 | 319428330008 | Pipe nipple 8-G $\frac{1}{4}$ " | | | |
| 10 | 319428330800 | Pipe nipple - L 8-G $\frac{1}{4}$ " | | | |
| 11 | 326346000407 | Sound damper, G $\frac{1}{4}$ " | | | |
| 12 | 319300006001 | Hose 6x1 | | | |
| 13 | 319300008125 | Hose 8x1,25 | | | |
| 15 | 309084000420 | Bolt M4x20 | | | |
| 16 | 512134 | Bolt M4x40 | | | |
| 17 | 210062 | Bolt M6x12 | | | |
| 18 | 311125000004 | Washer 4,3 | | | |
| 19 | 311125000006 | Washer 6,4 | | | |
| 20 | 311127000006 | Washer 6 | | | |
| 21 | 514193 | Nut M4 | | | |
| | | | | | |
| | | | | | |
| | | | | | |
| | | | | | |
| | | | | | |
| | | | | | |
| | | | | | |
| | | | | | |
| | | | | | |

MAIN SWITCH, FREQUENCY INVERTER 80-100-120 kg / 180-230-275 lb

554476_Pub_date_30_Jun_2013.doc

Spare parts manual



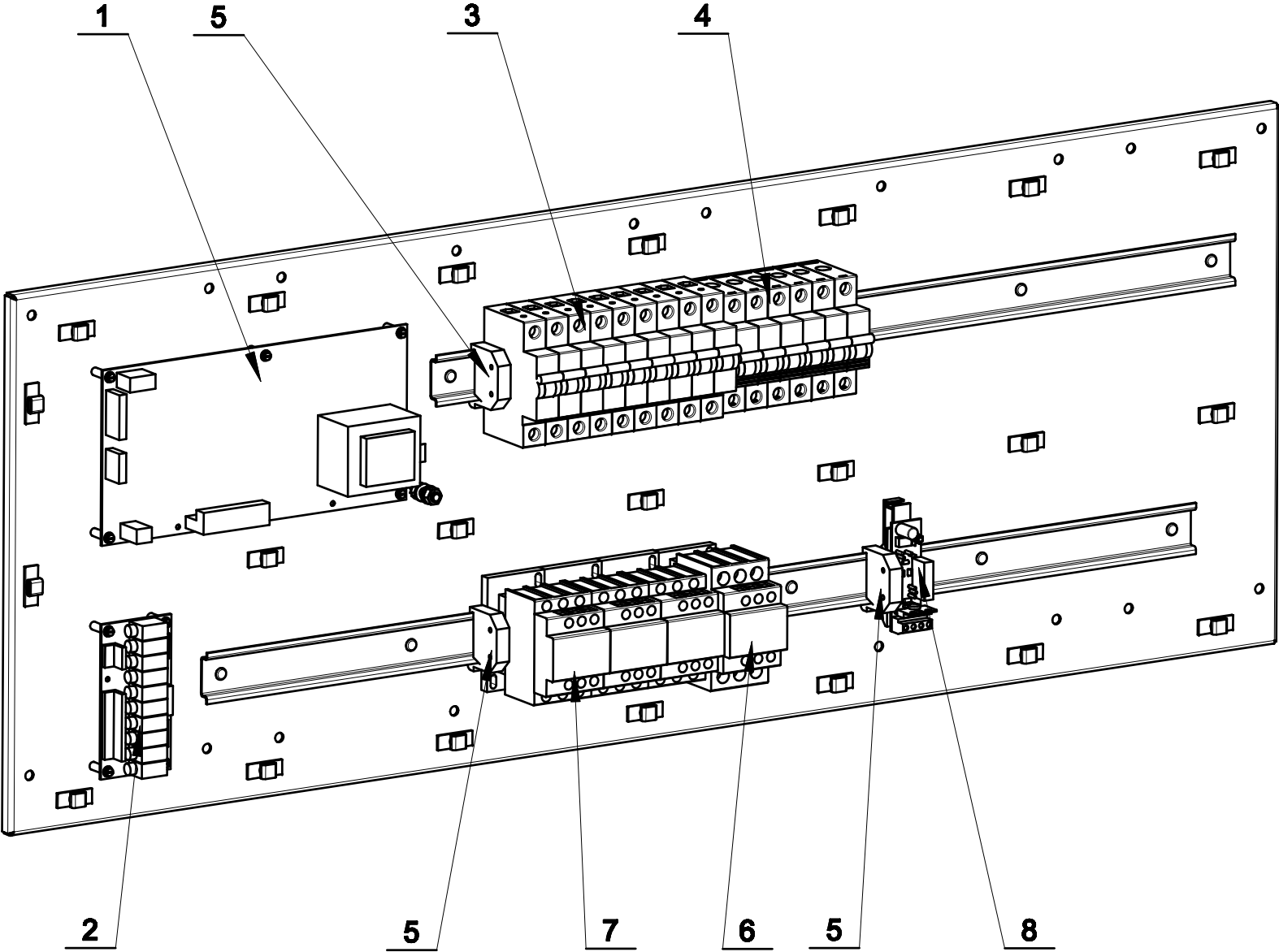
54 / 68

535 854C

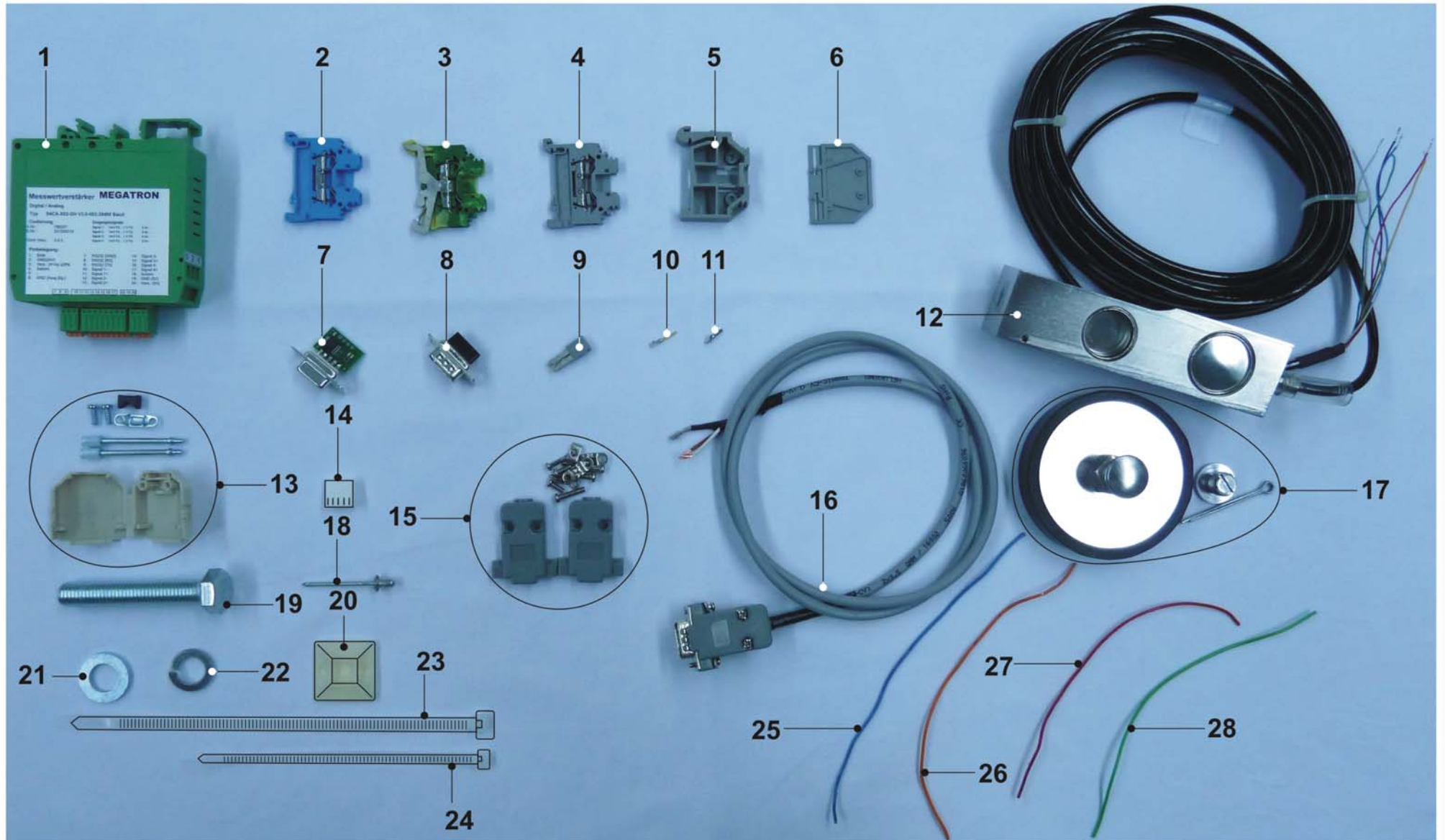
Main switch, frequency inverter 80-100-120 kg / 180-230-275 lb: drawing nr. 535854C

| | | | | | | |
|----|--------------|-------------------------|--|--|--|--|
| 1 | PRI404000098 | 80 kg / 180 lb | Main switch 32A, steam heating, 400V | | | |
| 1 | PRI404000099 | 80 kg / 180 lb | Main switch 63A, steam heating, 230V | | | |
| 1 | PRI404000099 | 100-120 kg / 230-275 lb | Main switch 63A, 400V | | | |
| 1 | 347700125175 | 80 kg / 180 lb | Main switch 125A, electrical heating, 400V | | | |
| 1 | PRI404000100 | 100-120 kg / 230-275 lb | Main switch 80A, 230V | | | |
| 1 | 504589 | 80 kg / 180 lb | Main switch 250A, electrical heating, 230V | | | |
| 2 | PRI404000095 | | Main switch knob, applicable for steam heating | | | |
| 3 | 525906 | 80 kg / 180 lb | Frequency inverter, 400V | | | |
| 3 | 528173 | 80 kg / 180 lb | Frequency inverter, 230V | | | |
| 3 | 528295 | 100-120 kg / 230-275 lb | Frequency inverter, 230V | | | |
| 3 | 525907 | 100-120 kg / 230-275 lb | Frequency inverter, 400V | | | |
| 4 | 520051 | | Communication cable | | | |
| 5 | 551073 | | Main switch holder, applicable for code PRI404000098 | | | |
| 5 | 551072 | | Main switch holder, applicable for code PRI404000099 | | | |
| 5 | 551053 | | Main switch holder, applicable for code 347700125175 | | | |
| 7 | 101410 | | Cable bushing M40 | | | |
| 7 | 516175 | 80 kg / 180 lb | Cable bushing M63, applicable for electrical heating | | | |
| 7 | 101409 | | Cable bushing M32 | | | |
| 7 | 552258 | | Cable bushing reduction M40 / M32 | | | |
| 8 | 101420 | 100-120 kg / 230-275 lb | Cable bushing nut M40 | | | |
| 8 | 516176 | 80 kg / 180 lb | Cable bushing nut M63, applicable for el. heating | | | |
| 9 | 101643 | | Transformer | | | |
| 10 | 346000004010 | | Fuse clamp | | | |
| 10 | 346000014010 | | Cover lid | | | |
| 11 | 524653 | | Fuse clamp | | | |
| 11 | 524654 | | Fuse plug | | | |
| 11 | 524655 | | Cover lid | | | |
| 12 | PRI345002019 | | Contactor, LC1-D32M7 | | | |
| 12 | PRI345001019 | | Contactor, LC1-D40M7 | | | |
| 13 | PRI345006045 | | Timer, applicable for tilting system | | | |
| 14 | PRI345001019 | | Contactor LC1-D40M7, applicable for tilting system | | | |
| 14 | PRI345002019 | | Contactor LC1-D32M7, applicable for tilting system | | | |
| 14 | 514044 | 100-120 kg / 230-275 lb | Contactor LC1-D65M7, applicable for tilting system | | | |
| 15 | 516746 | | Brake resistor | | | |
| 20 | 547366 | | Main switch cover, weldment | | | |
| | | | | | | |
| | | | | | | |
| | | | | | | |
| | | | | | | |

BOX FOR ELECTRICAL COMPONENTS 80-100-120 kg / 180-230-275 lb



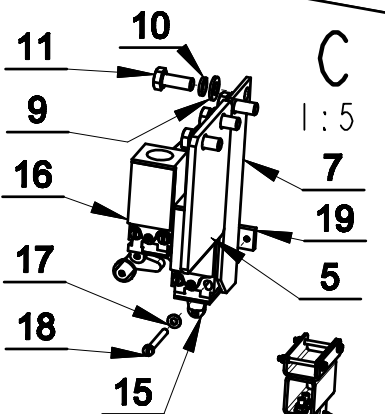
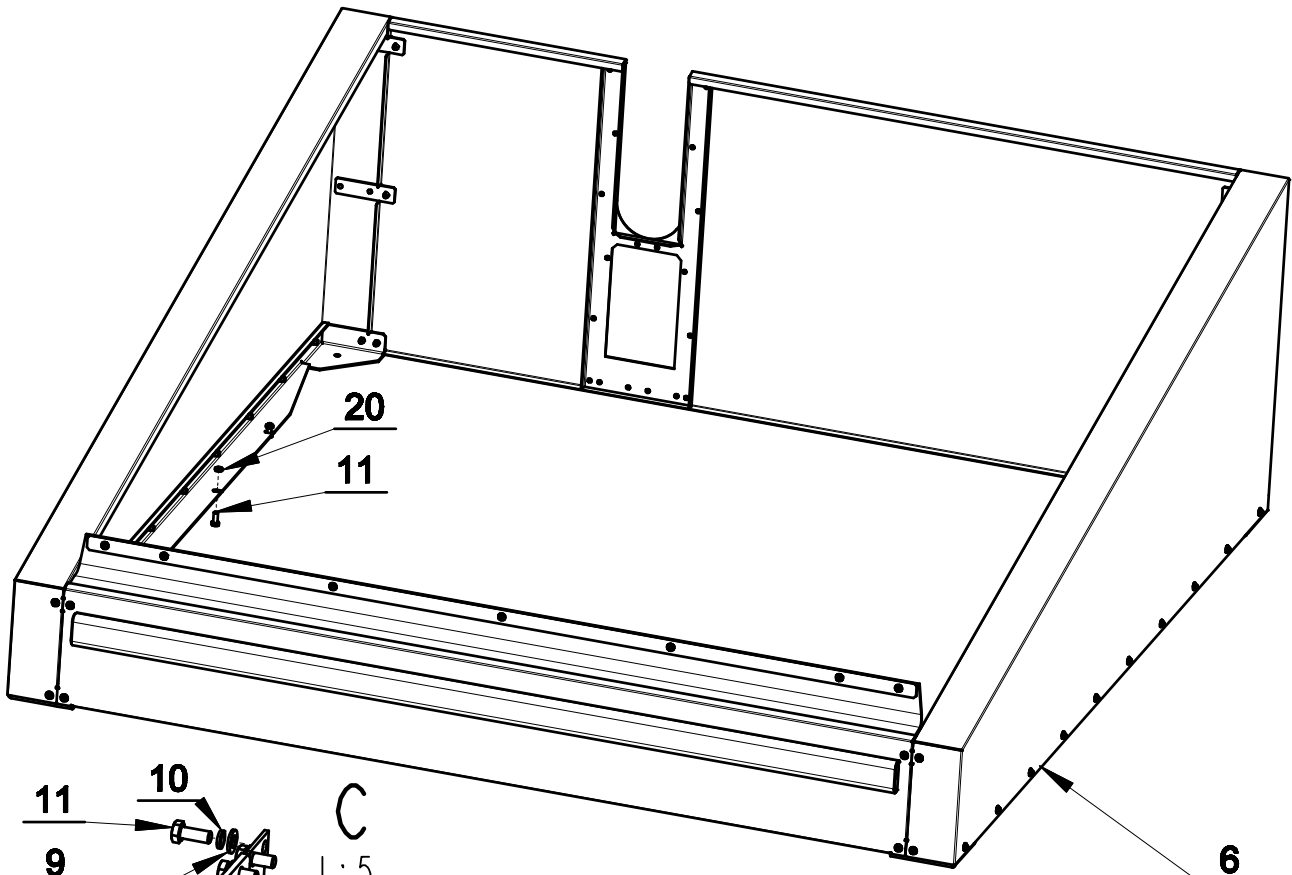
PARTS FOR WEIGHING SYSTEM INSTALLED IN WASHING MACHINE



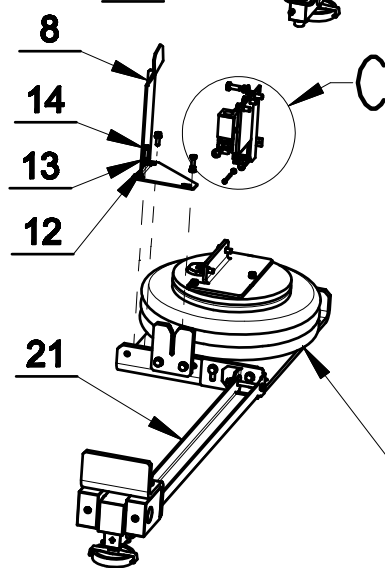
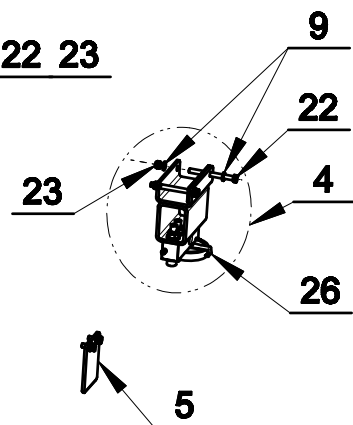
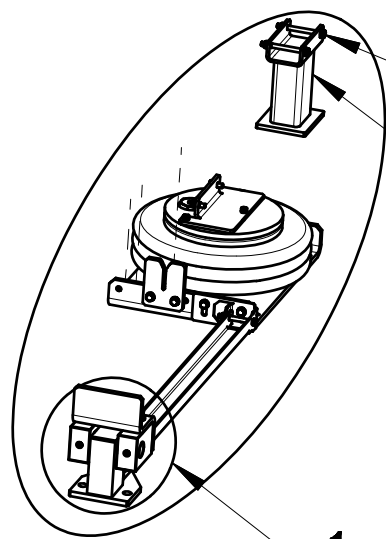
Parts for weighing system installed in washing machine 80-100-120 kg / 180-230-275 lb: drawing nr. 549214

| | | | | | |
|----|--------------|---|--|--|--|
| 1 | 516968 | Amplifier | | | |
| 2 | 346000280107 | Clamp 280-107, (green-yellow) | | | |
| 3 | 346000280104 | Clamp 280-104, (blue) | | | |
| 4 | 346000280101 | Clamp 280-101, (grey) | | | |
| 5 | 346000209101 | Terminal end | | | |
| 6 | 346000280301 | Cover lid | | | |
| 7 | 516964 | Converter | | | |
| 8 | 520082 | Connector 9 poles | | | |
| 9 | 346000280402 | Interconnection 280-402 | | | |
| 10 | 345001662931 | Contact pin | | | |
| 11 | PRI350002018 | Contact | | | |
| 12 | 529101 | Load sensor | | | |
| 13 | 516997 | Converter box, applicable for code 516964 | | | |
| 14 | 516090 | Connector 5 poles | | | |
| 15 | 347100306009 | Connector box, applicable for code 520082 | | | |
| 16 | 341414000205 | Shield cable 2x0,5, without connector, applicable for codes 520082 and 347100306009 | | | |
| 17 | 516956 | Adjustable rubber foot, (does not include Clamp) | | | |
| - | - | Clamp, see drawing nr. 554834, position 26 | | | |
| 18 | 313250004063 | Rivet with a crank 4x6,3 | | | |
| 19 | 551431 | Bolt M12x70 | | | |
| 20 | PRI350003050 | Adhesive fixing index plate | | | |
| 21 | 311125000013 | Washer 13 | | | |
| 22 | 311127000012 | Washer 12 | | | |
| 23 | 503817 | Binding strip 178x4,8 | | | |
| 24 | 345000160971 | Binding strip 140x3,6 | | | |
| 25 | 505446 | Conductor 0,35mm ² blue, l=2m | | | |
| 26 | 341413007002 | Conductor 0,35mm ² orange, l=0,4m | | | |
| 27 | 341413007001 | Conductor 0,35mm ² red, l=1,8m | | | |
| 28 | 505444 | Conductor 0,35mm ² green, l=0,6m | | | |
| - | 346000210113 | Rail, (not shown) | | | |
| - | 528024 | Schematic diagram, (not shown) | | | |
| - | 547361 | Kit for weighing system, (not shown) | | | |
| | | | | | |
| | | | | | |
| | | | | | |
| | | | | | |
| | | | | | |

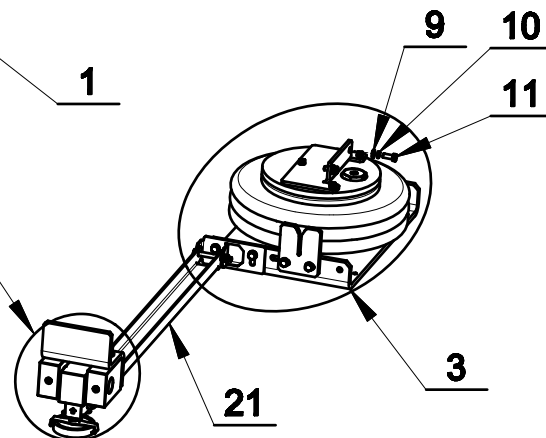
TILTING AND WEIGHING SYSTEM 80-100-120 kg / 180-230-275 lb



WITHOUT OPTILOAD
BEZ VÁŽÍČÍHO SYSTÉMU



WITH OPTILOAD
S VÁŽÍČÍM SYSTÉMEM

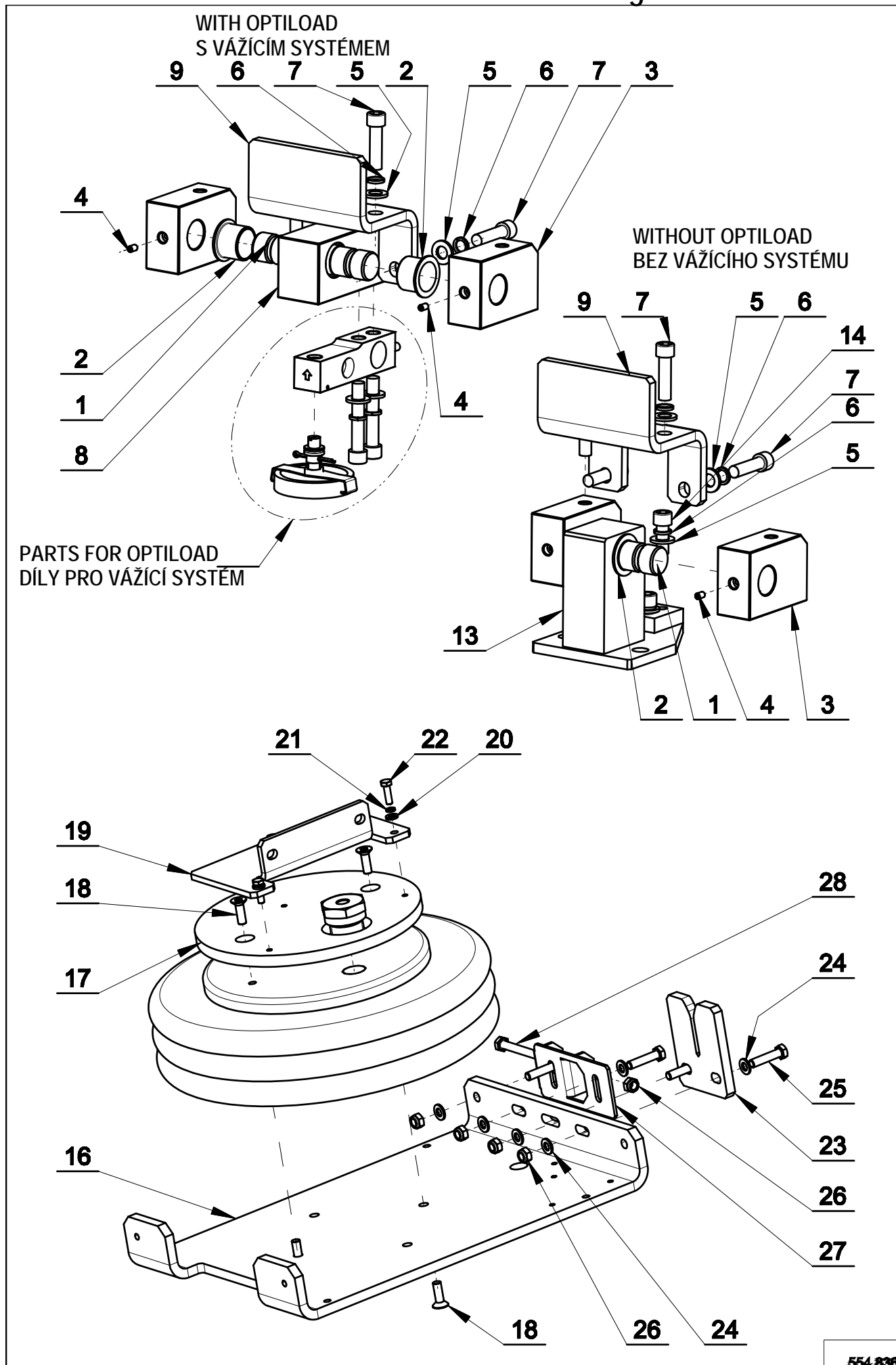


554 834

Tilting and weighing system 80-100-120 kg / 180-230-275 lb: drawing nr. 554834

| | | | | | | |
|----|--------------|-----------------|--|--|--|--|
| 1 | 553702 | | Complete hinge for tilting system, for execution without weighing system | | | |
| 1 | - | | Left lifting complete | | | |
| 2 | 552712 | | Right lifting complete | | | |
| 3 | 552747 | | Rear foot complete, applicable for weighing system | | | |
| 4 | 551435 | | Lower stop | | | |
| 5 | 552715 | | Complete cabinet for tilting system | | | |
| 6 | 552714 | 80 kg / 180 lb | Complete cabinet for tilting system | | | |
| 6 | 553704 | 100 kg / 230 lb | Complete cabinet for tilting system | | | |
| 6 | 553749 | 120 kg / 275 lb | Complete cabinet for tilting system | | | |
| 7 | 552125 | | Switches holder | | | |
| 8 | 552126 | 80 kg / 180 lb | Guide for upper switch | | | |
| 8 | 553723 | 100 kg / 230 lb | Guide for upper switch | | | |
| 8 | 553750 | 120 kg / 275 lb | Guide for upper switch | | | |
| 9 | 311125000008 | | Washer 8,4 | | | |
| 10 | 311127000008 | | Washer 8 | | | |
| 11 | 309933000820 | | Bolt M8x20 | | | |
| 12 | 311125000006 | | Washer 6,4 | | | |
| 13 | 311127000006 | | Washer 6 | | | |
| 14 | 309933000618 | | Bolt M6x18 | | | |
| 15 | 506572 | | Position switch | | | |
| 16 | PRI345000070 | | Position switch | | | |
| 17 | 311125000004 | | Washer 4,3 | | | |
| 18 | 512134 | | Bolt M4x40 | | | |
| 19 | 529323 | | T-square | | | |
| 20 | 537518 | | Nut M8 | | | |
| 21 | 552719 | 80 kg / 180 lb | Arm | | | |
| 21 | 553703 | 100 kg / 230 lb | Arm | | | |
| 21 | 553752 | 120 kg / 275 lb | Arm | | | |
| 22 | 309933000890 | | Bolt M8x90 | | | |
| 23 | 310985000008 | | Nut M8 | | | |
| 24 | 552150 | | Rear foot, weldment, for execution without weighing system | | | |
| 24 | - | | Complete hinge for tilting system, applicable for weighing system | | | |
| 25 | 555066 | | Clamp, applicable for weighing system | | | |
| 25 | - | | | | | |
| 26 | 552123 | | | | | |
| | | | | | | |
| | | | | | | |
| | | | | | | |
| | | | | | | |

TILTING AND WEIGHING SYSTEM 80-100-120 kg / 180-230-275 lb

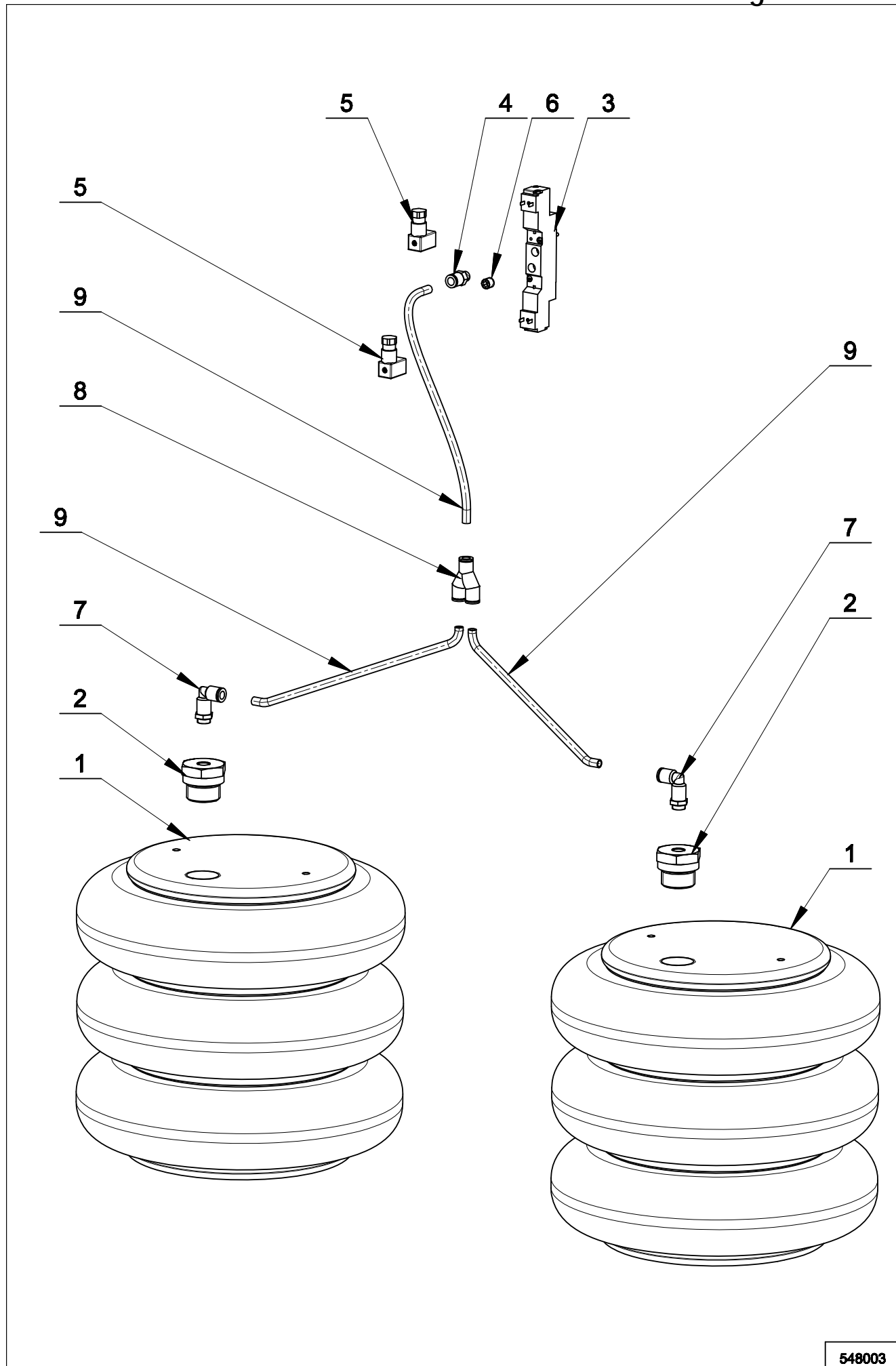


554 836

Tilting and weighing system 80-100-120 kg / 180-230-275 lb: drawing nr. 554836

| | | | | | |
|----|--------------|---|--|--|--|
| 1 | 552748 | Pin for tilting system | | | |
| 2 | 552721 | Sleeve | | | |
| 3 | 552717 | Upper hinge | | | |
| 4 | 309913000610 | Bolt M6x10 | | | |
| 5 | 311125000013 | Washer 13 | | | |
| 6 | 311127000012 | Washer 12 | | | |
| 7 | 514714 | Bolt M12x45 | | | |
| 8 | 552718 | Lower hinge, applicable for weighing system | | | |
| 9 | 552716 | Upper hinge, weldment | | | |
| 13 | 552145 | Front foot, weldment | | | |
| 14 | 309912101230 | Bolt M12x30 | | | |
| 16 | 552723 | Air spring plate | | | |
| 17 | 551174 | Washer | | | |
| 18 | 551432 | Bolt M8x25 | | | |
| 19 | 551176 | Air spring support | | | |
| 20 | 311125000006 | Washer 6,4 | | | |
| 21 | 311127000006 | Washer 6 | | | |
| 22 | 309933000618 | Bolt M6x18 | | | |
| 23 | 552725 | Lower stop | | | |
| 24 | 311127000008 | Washer 8,4 | | | |
| 25 | 309933000835 | Bolt M8x35 | | | |
| 26 | 310985000008 | Nut M8 | | | |
| 27 | 552724 | Arm holder | | | |
| 28 | 309933000870 | Bolt M8x70 | | | |
| - | - | Parts for weighing system (Optiload) – see drawing nr. 549214 | | | |
| | | | | | |
| | | | | | |
| | | | | | |
| | | | | | |
| | | | | | |
| | | | | | |
| | | | | | |

PNEUMATIC COMPONENTS FOR TILTING SYSTEM 80-100-120 kg / 180-230-275 lb

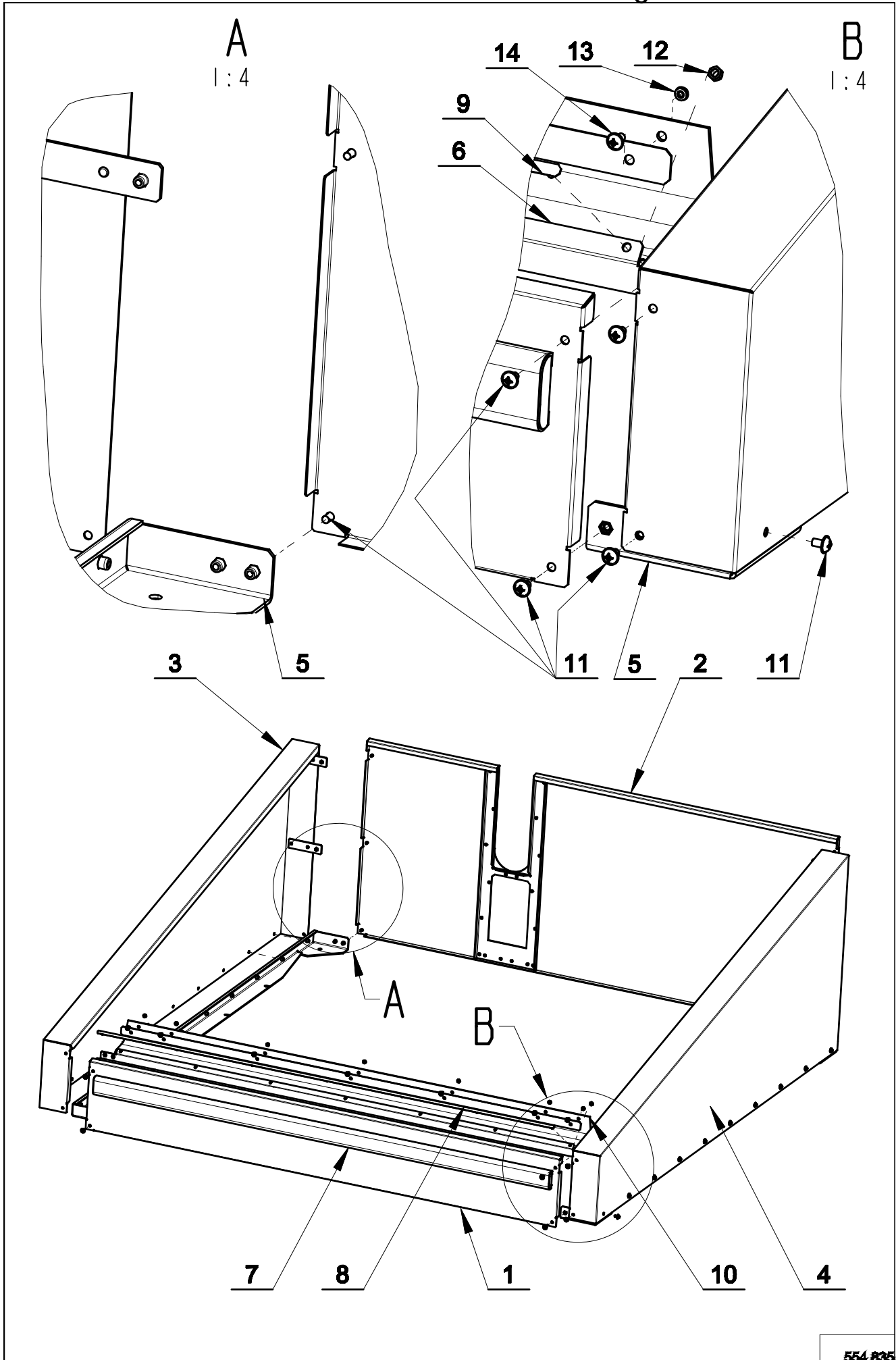


548003

Pneumatic components for tilting system 80-100-120 kg / 180-230-275 lb: drawing nr. 548003

| | | | | | |
|---|--------------|--|--|--|--|
| 1 | 510853 | Air spring G1" | | | |
| 2 | 548001 | Reduction G1" - G¼" x 25 | | | |
| 3 | 548061 | Electromagnetic valve MEBH-5/3, G½"-P-B, 230V AC, Festo, (includes 536509, does include 536505) | | | |
| 3 | - | | | | |
| - | 536509 | Electromagnetic coil for electromagnetic valve Festo | | | |
| 4 | 504564 | Pipe nipple 8-G¼" | | | |
| 5 | 536505 | Connector for electromagnetic valve Festo | | | |
| 6 | 510898 | Plug G½" | | | |
| 7 | 319428330800 | Pipe nipple L 8 - ¼" | | | |
| 8 | 405113000008 | Coupling Y 8 | | | |
| 9 | 319300008125 | Hose 8x1,25 | | | |
| | | | | | |
| | | | | | |
| | | | | | |
| | | | | | |
| | | | | | |
| | | | | | |
| | | | | | |
| | | | | | |
| | | | | | |
| | | | | | |
| | | | | | |
| | | | | | |
| | | | | | |
| | | | | | |
| | | | | | |
| | | | | | |

CABINET FOR TITLING SYSTEM 80-100-120 kg / 180-230-275 lb



554 835

Cabinet for titling system 80-100-120 kg / 180-230-275 lb: drawing nr. 554835

| | | | | | | |
|----|--------------|-----------------|------------------------------------|--|--|--|
| 1 | 552729 | 80 kg / 180 lb | Front cover | | | |
| 1 | 553712 | 100 kg / 230 lb | Front cover | | | |
| 1 | 553757 | 120 kg / 275 lb | Front cover | | | |
| 2 | 552732 | 80 kg / 180 lb | Rear cover | | | |
| 2 | 553711 | 100 kg / 230 lb | Rear cover | | | |
| 2 | 553756 | 120 kg / 275 lb | Rear cover | | | |
| 3 | 552730 | 80 kg / 180 lb | Left cover complete | | | |
| 3 | 553707 | 100 kg / 230 lb | Left cover complete | | | |
| 3 | 553754 | 120 kg / 275 lb | Left cover complete | | | |
| 4 | 552731 | 80 kg / 180 lb | Right cover complete | | | |
| 4 | 553709 | 100 kg / 230 lb | Right cover complete | | | |
| 4 | 553755 | 120 kg / 275 lb | Right cover complete | | | |
| 5 | 552728 | 80 kg / 180 lb | Frame complete | | | |
| 5 | 553705 | 100 kg / 230 lb | Frame complete | | | |
| 5 | 553753 | 120 kg / 275 lb | Frame complete | | | |
| 6 | 552735 | 80 kg / 180 lb | Rim reinforcement - complete | | | |
| 6 | 553715 | 100 kg / 230 lb | Rim reinforcement - complete | | | |
| 6 | 553760 | 120 kg / 275 lb | Rim reinforcement - complete | | | |
| 7 | 552825 | 80 kg / 180 lb | Bumper for cabinet | | | |
| 7 | 553720 | 100 kg / 230 lb | Bumper for cabinet | | | |
| 7 | 553763 | 120 kg / 275 lb | Bumper for cabinet | | | |
| 8 | 538451 | 80 kg / 180 lb | Lath for protective rim | | | |
| 8 | 553719 | 100 kg / 230 lb | Lath for protective rim | | | |
| 8 | 553762 | 120 kg / 275 lb | Lath for protective rim | | | |
| 9 | 552813 | 80 kg / 180 lb | Lath for protective rim - complete | | | |
| 9 | 553717 | 100 kg / 230 lb | Lath for protective rim - complete | | | |
| 9 | 553761 | 120 kg / 275 lb | Lath for protective rim - complete | | | |
| 10 | 552815 | 80 kg / 180 lb | Protective rim | | | |
| 10 | 553714 | 100 kg / 230 lb | Protective rim | | | |
| 10 | 553759 | 120 kg / 275 lb | Protective rim | | | |
| 11 | 506012 | | Bolt M6x10 | | | |
| 12 | 310985000006 | | Nut M6 | | | |
| 13 | 537560 | | Riveting nut M6 | | | |
| 14 | 309595240612 | | Bolt M6x12 | | | |
| | | | | | | |
| | | | | | | |
| | | | | | | |
| | | | | | | |

Parts for tilting system for 80-100-120 kg / 180-230-275 lb installed in washing machine, (not shown)

| | | | | | | |
|---|--------------|--|-------------|--|--|--|
| - | 347100460720 | Relay 4 poles, | (not shown) | | | |
| - | 347100787384 | Relay cap 4 poles, | (not shown) | | | |
| - | 347100728801 | Clip relay 4 poles, | (not shown) | | | |
| - | 309084000320 | Bolt M3x20, | (not shown) | | | |
| - | 311127000003 | Washer M3, | (not shown) | | | |
| - | 311125000003 | Washer 3.2, | (not shown) | | | |
| - | 310934000003 | Nut M3, | (not shown) | | | |
| - | 548061 | Electromagnetic valve MEBH-5/3, G ¹ / ₈ "-P-B, 230V AC, Festo, | | | | |
| - | - | (includes 536509, does include 536505), | (not shown) | | | |
| - | 536509 | Electromagnetic coil for electromagnetic valve Festo, | | | | |
| - | - | (not shown) | | | | |
| - | 536505 | Connector for electromagnetic valve Festo | (not shown) | | | |
| - | 405113000008 | Coupling Y8, | (not shown) | | | |
| - | 514134 | Relay 2 poles, | (not shown) | | | |
| - | 506586 | Relay cap 2 poles, | (not shown) | | | |
| - | 514135 | Clip relay 2 poles, | (not shown) | | | |
| - | - | Contactor LC1-D40M7, see drawing nr. 535854C, pos. 14 | | | | |
| - | - | Contactor LC1-D32M7, see drawing nr. 535854C, pos. 14 | | | | |
| - | - | Contactor LC1-D65M7, see drawing nr. 535854C, pos. 14 | | | | |
| - | - | Timer, see drawing nr. 535854C, position 13 | | | | |
| - | 510818 | Hanging control, | (not shown) | | | |
| - | 510819 | Flange angle bushing, | (not shown) | | | |
| - | 510816 | Cable, | (not shown) | | | |
| - | 346000280101 | Clamp 280-101, | (not shown) | | | |
| - | 346000280107 | Clamp 280-107, | (not shown) | | | |
| - | 346000280301 | Covering 280-301, | (not shown) | | | |
| - | 346000209101 | Terminal end, | (not shown) | | | |
| | | | | | | |
| | | | | | | |
| | | | | | | |
| | | | | | | |
| | | | | | | |
| | | | | | | |
| | | | | | | |