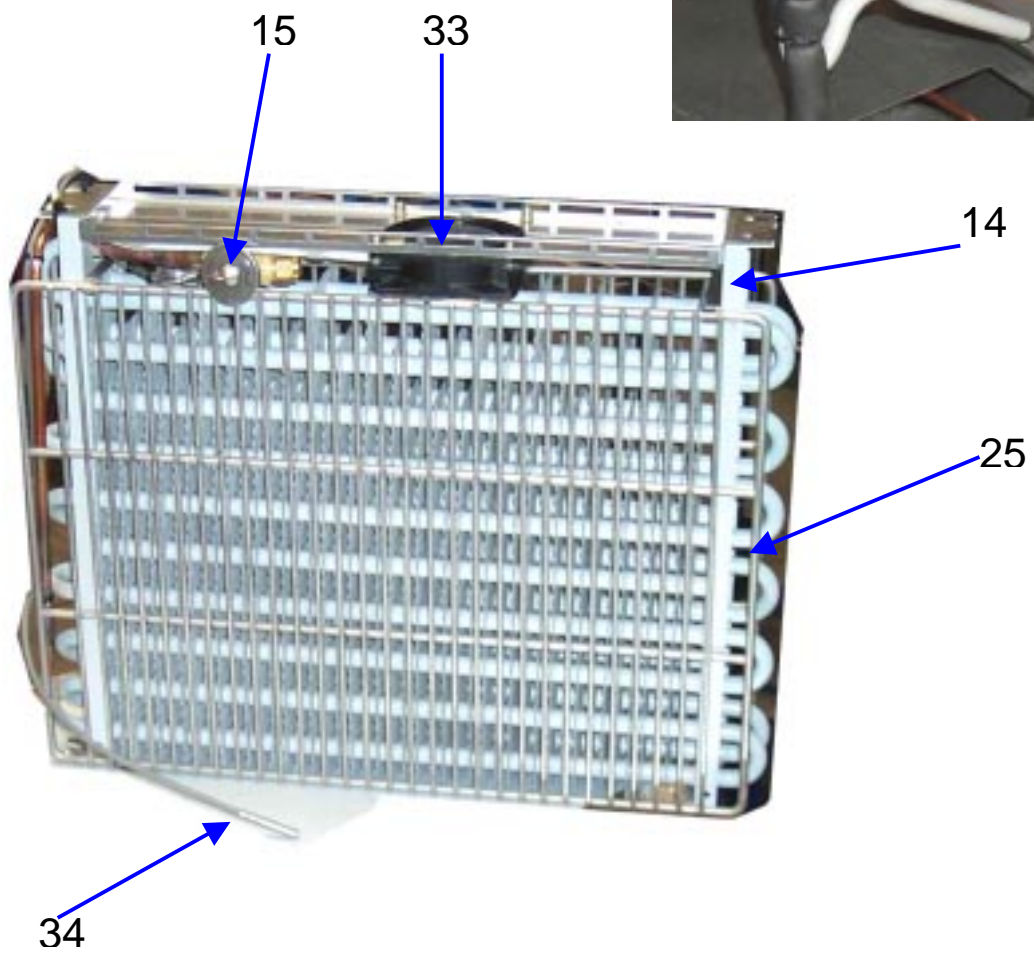
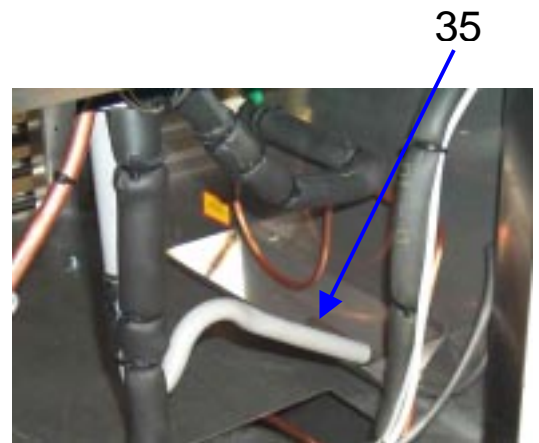
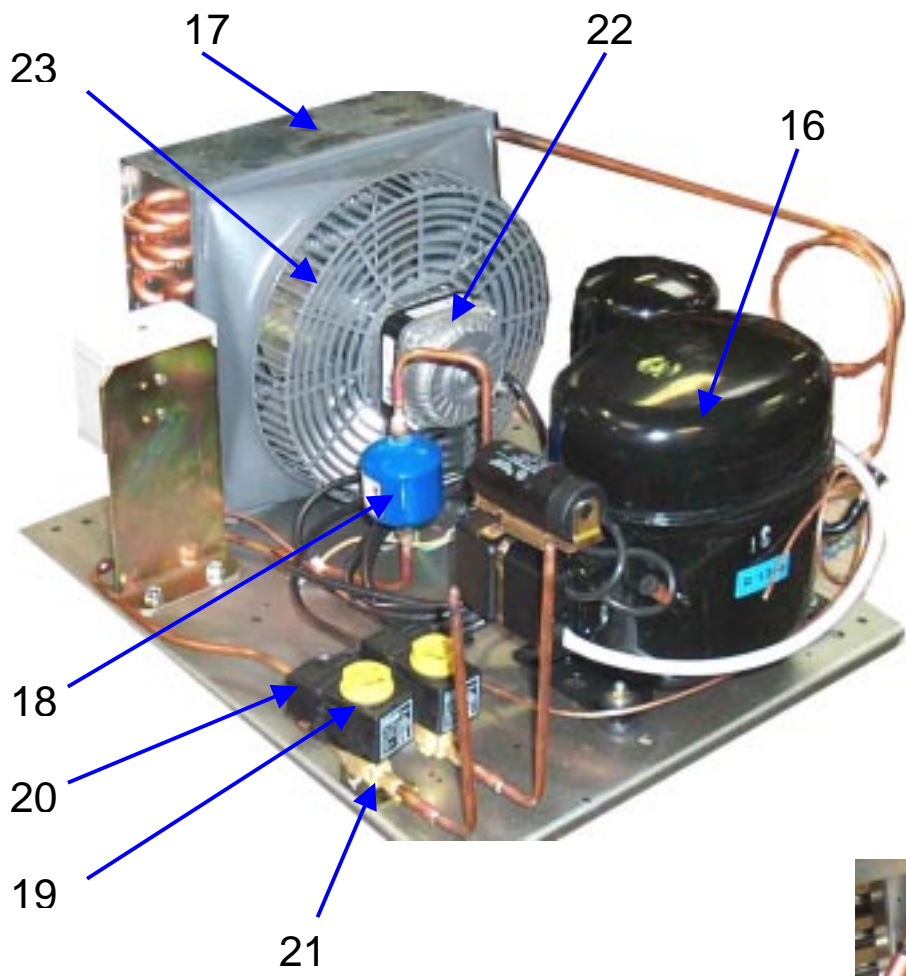


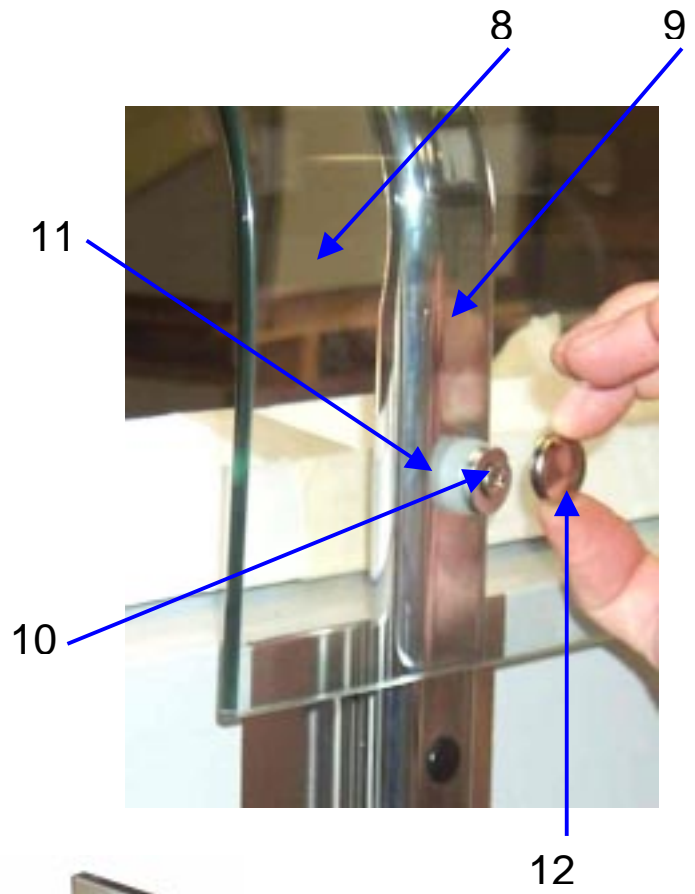
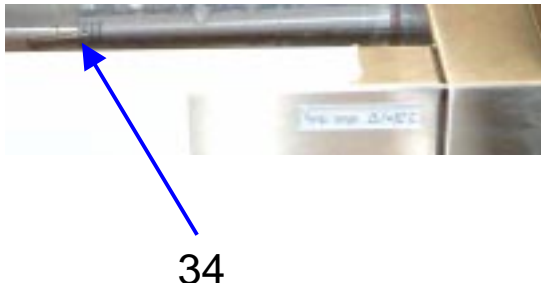
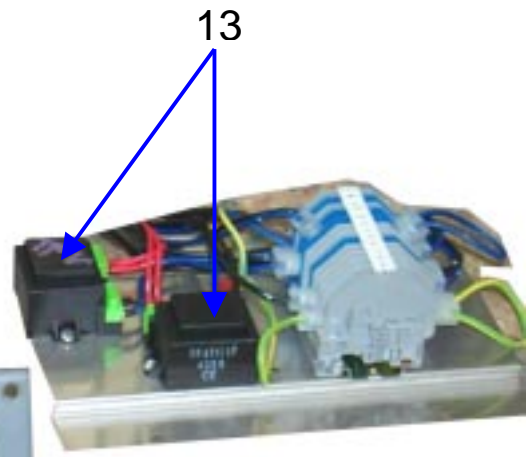
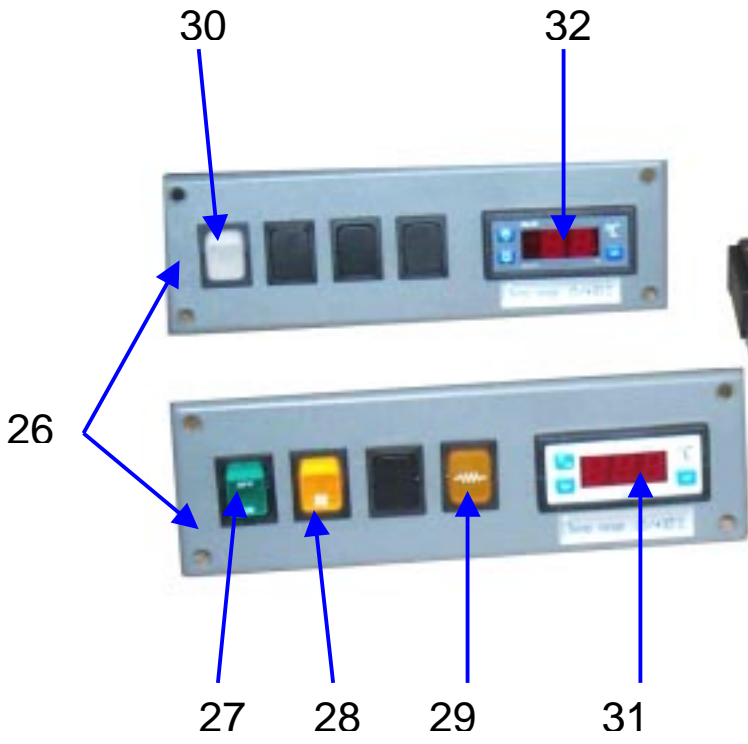
TPV 16

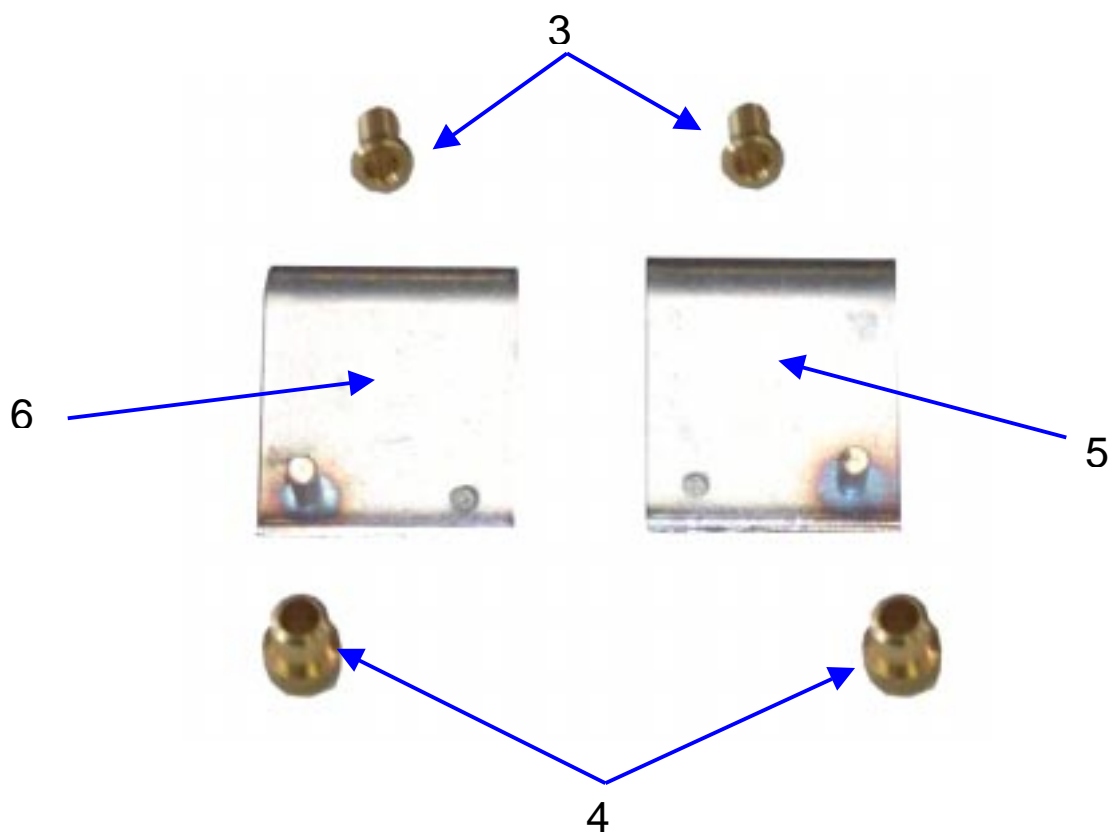
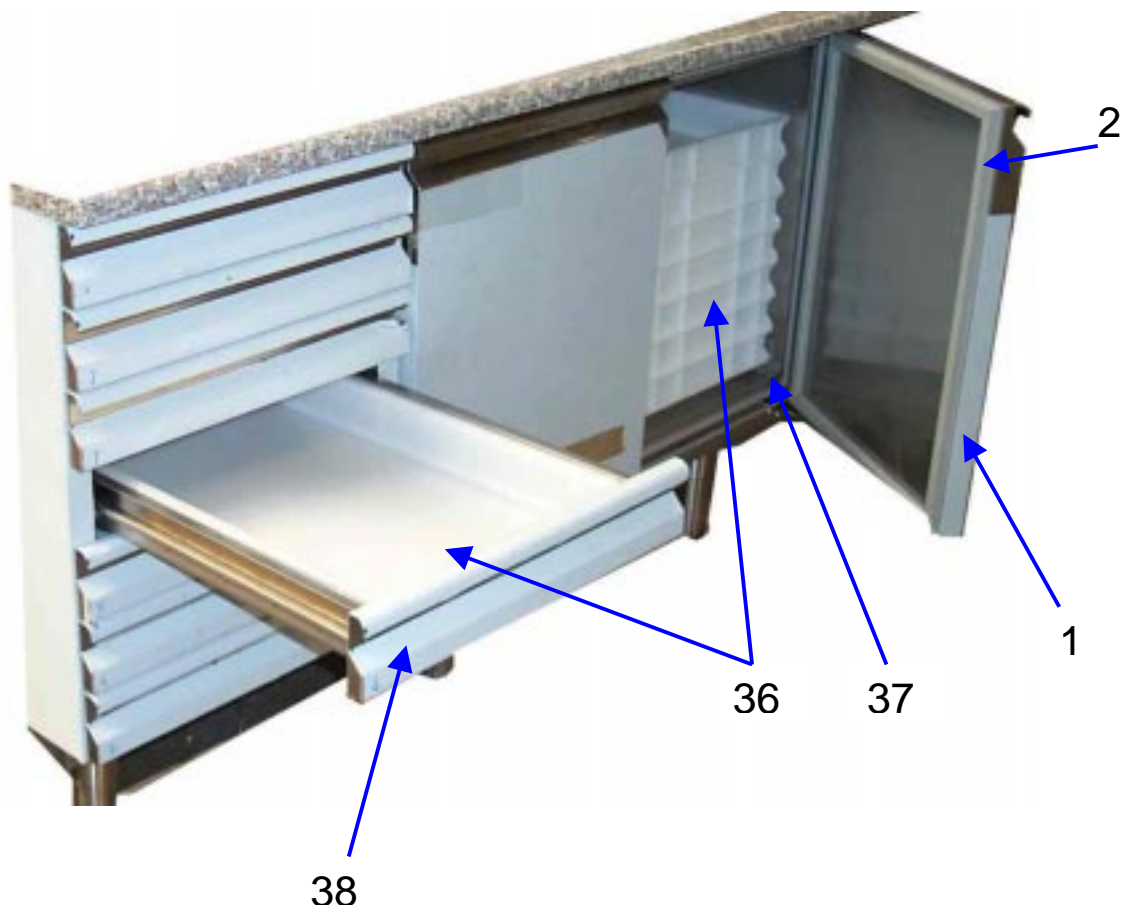
TPV 21

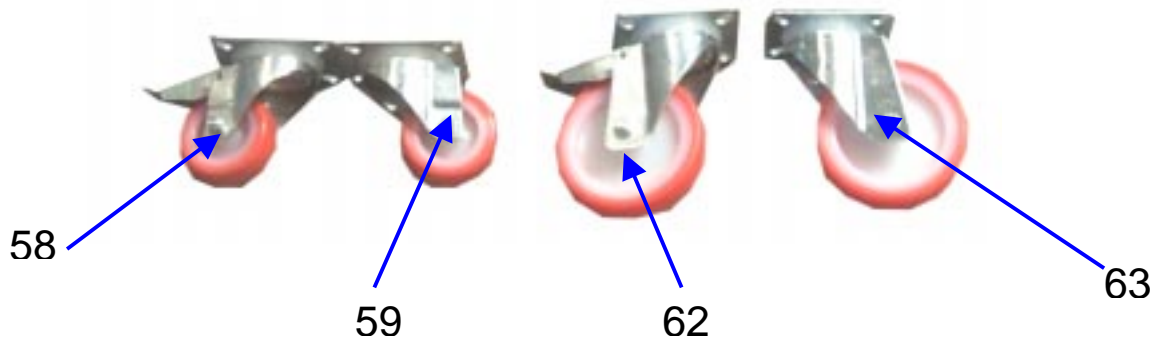
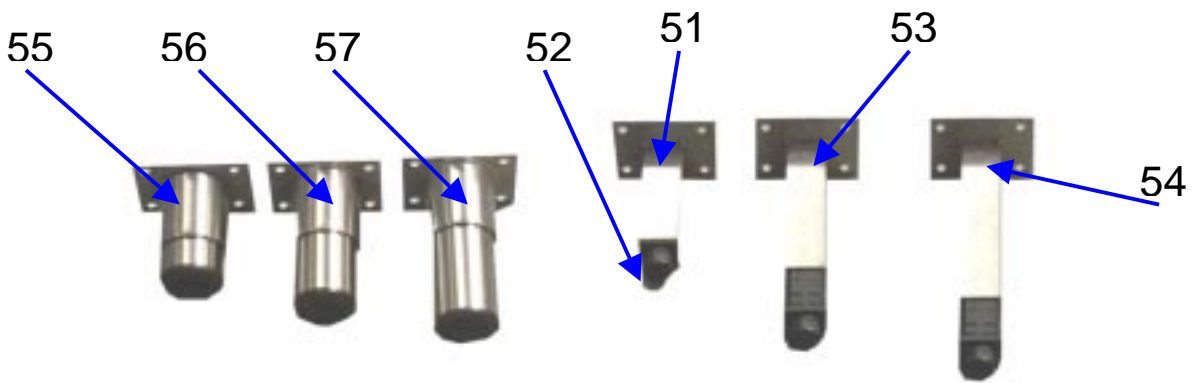
TPV 21C

TPV 26C











Code : **TPV16**
Model : **TPV16**

N° CODE PZ DESCRIPTION

1,00	32634000	0	Convex panel - half door	
2,00	14415010640	0	Door gasket	
3,00	140712153	0	Bushing	12x15
4,00	140712155	0	Bushing	12x15
5,00	32213012	0	Hinge	
6,00	32213022	0	Hinge	
7,00	32260000	0	Door	
8,00	149420116	0	Glass	
9,00	14860100	0	Support	
10,00	1496060105020	0	Screw	
11,00	14230002	0	Spacer	
12,00	1417100	0	Black hole cover	
13,00	168305	0	Transformer	
14,00	14330210163	0	Evaporator	
15,10	14971702	0	Valve body	
15,20	1462012	0	Orifice with filter	
16,00	141514201200	0	Compressor	220-240/1/50
17,00	141622424084	0	Air-cooled condenser	
18,00	14352101	0	Filter	
19,00	14970502	0	Coil for solenoid valve	220v
20,00	14970511	0	Connector for solenoid valve	
21,00	14970503	0	Solenoid valve	
22,00	1648001010	0	Motor without bracket	
23,00	1495230034	0	Helical fan	230 34°
24,00	14720220	0	Pressure switch	
25,00	1440311	0	Evaporator protection grill	
26,00	165601	0	Gray ABS controls door	
27,00	1635103	0	Green switch	
28,00	1635101	0	Yellow switch	
29,00	1640003	0	Yellow lamp	
30,00	1635100	0	White switch	
31,00	1681109	0	Thermostat	
32,00	1681101	0	Thermostat with sensor	
33,00	1648110086	0	Motor-driven fan	
34,00	167201	0	Sensor	
35,00	1666090	0	Heater	90W
36,00	14051200	0	Container	
37,00	3351300300	0	Pair of slides for wire shelves	
38,00	3251000	0	Drawer	
39,00	1666095	0	Drip pan heater	95W
51,00	1467522	0	Square foot	quadro
52,00	1467008	0	Thermoplastic snap-in foot	
53,00	1467524	0	Square foot	quadro
54,00	1467526	0	Square foot	quadro
55,00	1467504	0	Round foot	
56,00	1467506	0	Round foot	
57,00	1467508	0	Round foot	
58,00	147802	0	Caster with brake	ø80
59,00	147801	0	Caster	ø80
60,00	147806	0	Caster with brake	ø100
61,00	147805	0	Caster	ø100
62,00	147808	0	Caster with brake	ø125
63,00	147807	0	Caster	ø125



Code : **TPV21**
Model : **TPV21**

N° CODE PZ DESCRIPTION

1,00	32634000	0	Convex panel - half door	
2,00	14415010640	0	Door gasket	
3,00	140712153	0	Bushing	12x15
4,00	140712155	0	Bushing	12x15
5,00	32213012	0	Hinge	
6,00	32213022	0	Hinge	
7,00	32260000	0	Door	
8,00	149420121	0	Glass	
9,00	14860100	0	Support	
10,00	1496060105020	0	Screw	
11,00	14230002	0	Spacer	
12,00	1417100	0	Black hole cover	
13,00	168305	0	Transformer	
14,10	14330210163	0	Evaporator	
14,20	14330210164	0	Evaporator	
15,10	14971703	0	Valve body	
15,20	1462012	0	Orifice with filter	
16,00	141514202040	0	Compressor	
17,00	141622727105	0	Air-cooled condenser	
18,00	14352101	0	Filter	
19,00	14970502	0	Coil for solenoid valve	220v
20,00	14970511	0	Connector for solenoid valve	
21,00	14970503	0	Solenoid valve	
22,00	1648001600	0	Motor	
23,00	1495254028	0	Helical fan	254 28°
24,00	14720220	0	Pressure switch	
25,00	1440311	0	Evaporator protection grill	
26,00	165601	0	Gray ABS controls door	
27,00	1635103	0	Green switch	
28,00	1635101	0	Yellow switch	
29,00	1640003	0	Yellow lamp	
30,00	1635100	0	White switch	
31,00	1681109	0	Thermostat	
32,00	1681101	0	Thermostat with sensor	
33,00	1648110086	0	Motor-driven fan	
34,00	167201	0	Sensor	
35,00	1666090	0	Heater	90W
36,00	14051200	0	Container	
37,00	3351300300	0	Pair of slides for wire shelves	
38,00	3251000	0	Drawer	
39,00	1666095	0	Drip pan heater	95W
51,00	1467522	0	Square foot	quadro
52,00	1467008	0	Thermoplastic snap-in foot	
53,00	1467524	0	Square foot	quadro
54,00	1467526	0	Square foot	quadro
55,00	1467504	0	Round foot	
56,00	1467506	0	Round foot	
57,00	1467508	0	Round foot	
58,00	147802	0	Caster with brake	ø80
59,00	147801	0	Caster	ø80
60,00	147806	0	Caster with brake	ø100
61,00	147805	0	Caster	ø100
62,00	147808	0	Caster with brake	ø125
63,00	147807	0	Caster	ø125



Code : **TPV21C**
Model : **TPV21C**

N° CODE PZ DESCRIPTION

1,00	32634000	0	Convex panel - half door	
2,00	14415010640	0	Door gasket	
3,00	140712153	0	Bushing	12x15
4,00	140712155	0	Bushing	12x15
5,00	32213012	0	Hinge	
6,00	32213022	0	Hinge	
7,00	32260000	0	Door	
8,00	149420121	0	Glass	
9,00	14860100	0	Support	
10,00	1496060105020	0	Screw	
11,00	14230002	0	Spacer	
12,00	1417100	0	Black hole cover	
13,00	168305	0	Transformer	
14,00	14330210163	0	Evaporator	
15,10	14971702	0	Valve body	
15,20	1462012	0	Orifice with filter	
16,00	141514201200	0	Compressor	220-240/1/50
17,00	141622424084	0	Air-cooled condenser	
18,00	14352101	0	Filter	
19,00	14970502	0	Coil for solenoid valve	220v
20,00	14970511	0	Connector for solenoid valve	
21,00	14970503	0	Solenoid valve	
22,00	1648001010	0	Motor without bracket	
23,00	1495230034	0	Helical fan	230 34°
24,00	14720220	0	Pressure switch	
25,00	1440311	0	Evaporator protection grill	
26,00	165601	0	Gray ABS controls door	
27,00	1635103	0	Green switch	
28,00	1635101	0	Yellow switch	
29,00	1640003	0	Yellow lamp	
30,00	1635100	0	White switch	
31,00	1681109	0	Thermostat	
32,00	1681101	0	Thermostat with sensor	
33,00	1648110086	0	Motor-driven fan	
34,00	167201	0	Sensor	
35,00	1666090	0	Heater	90W
36,00	14051200	0	Container	
37,00	3351300300	0	Pair of slides for wire shelves	
38,00	3251000	0	Drawer	
39,00	1666095	0	Drip pan heater	95W
51,00	1467522	0	Square foot	quadro
52,00	1467008	0	Thermoplastic snap-in foot	
53,00	1467524	0	Square foot	quadro
54,00	1467526	0	Square foot	quadro
55,00	1467504	0	Round foot	
56,00	1467506	0	Round foot	
57,00	1467508	0	Round foot	
58,00	147802	0	Caster with brake	ø80
59,00	147801	0	Caster	ø80
60,00	147806	0	Caster with brake	ø100
61,00	147805	0	Caster	ø100
62,00	147808	0	Caster with brake	ø125
63,00	147807	0	Caster	ø125



Code : **TPV26C**
Model : **TPV26C**

N° CODE PZ DESCRIPTION

1,00	32634000	0	Convex panel - half door	
2,00	14415010640	0	Door gasket	
3,00	140712153	0	Bushing	12x15
4,00	140712155	0	Bushing	12x15
5,00	32213012	0	Hinge	
6,00	32213022	0	Hinge	
7,00	32260000	0	Door	
8,00	149420126	0	Glass	
9,00	14860100	0	Support	
10,00	1496060105020	0	Screw	
11,00	14230002	0	Spacer	
12,00	1417100	0	Black hole cover	
13,00	168305	0	Transformer	
14,10	14330210163	0	Evaporator	
14,20	14330210164	0	Evaporator	
15,10	14971703	0	Valve body	
15,20	1462012	0	Orifice with filter	
16,00	141514202040	0	Compressor	
17,00	141622727105	0	Air-cooled condenser	
18,00	14352101	0	Filter	
19,00	14970502	0	Coil for solenoid valve	220v
20,00	14970511	0	Connector for solenoid valve	
21,00	14970503	0	Solenoid valve	
22,00	1648001600	0	Motor	
23,00	1495254028	0	Helical fan	254 28°
24,00	14720220	0	Pressure switch	
25,00	1440311	0	Evaporator protection grill	
26,00	165601	0	Gray ABS controls door	
27,00	1635103	0	Green switch	
28,00	1635101	0	Yellow switch	
29,00	1640003	0	Yellow lamp	
30,00	1635100	0	White switch	
31,00	1681109	0	Thermostat	
32,00	1681101	0	Thermostat with sensor	
33,00	1648110086	0	Motor-driven fan	
34,00	167201	0	Sensor	
35,00	1666090	0	Heater	90W
36,00	14051200	0	Container	
37,00	3351300300	0	Pair of slides for wire shelves	
38,00	3251000	0	Drawer	
39,00	1666095	0	Drip pan heater	95W
51,00	1467522	0	Square foot	quadro
52,00	1467008	0	Thermoplastic snap-in foot	
53,00	1467524	0	Square foot	quadro
54,00	1467526	0	Square foot	quadro
55,00	1467504	0	Round foot	
56,00	1467506	0	Round foot	
57,00	1467508	0	Round foot	
58,00	147802	0	Caster with brake	ø80
59,00	147801	0	Caster	ø80
60,00	147806	0	Caster with brake	ø100
61,00	147805	0	Caster	ø100
62,00	147808	0	Caster with brake	ø125
63,00	147807	0	Caster	ø125