

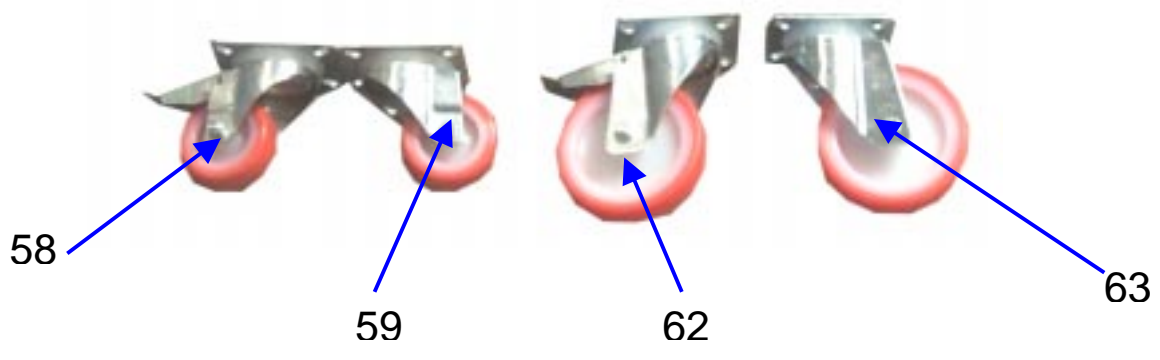
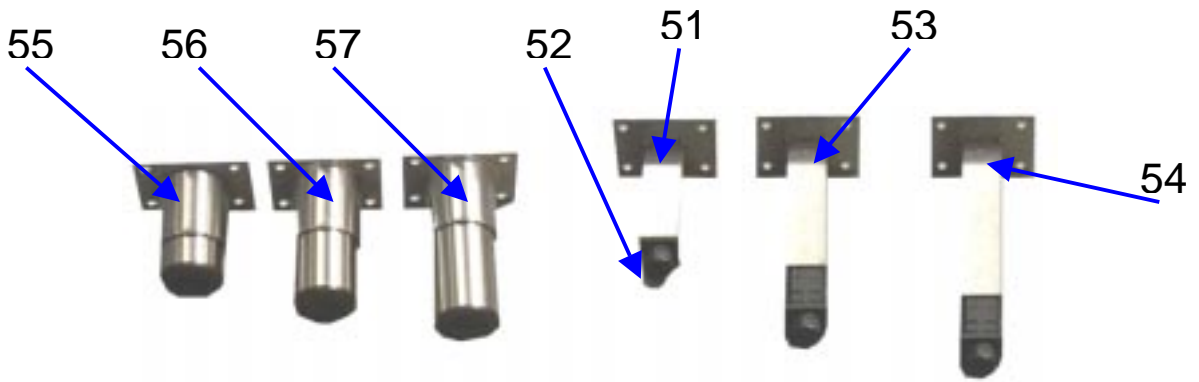
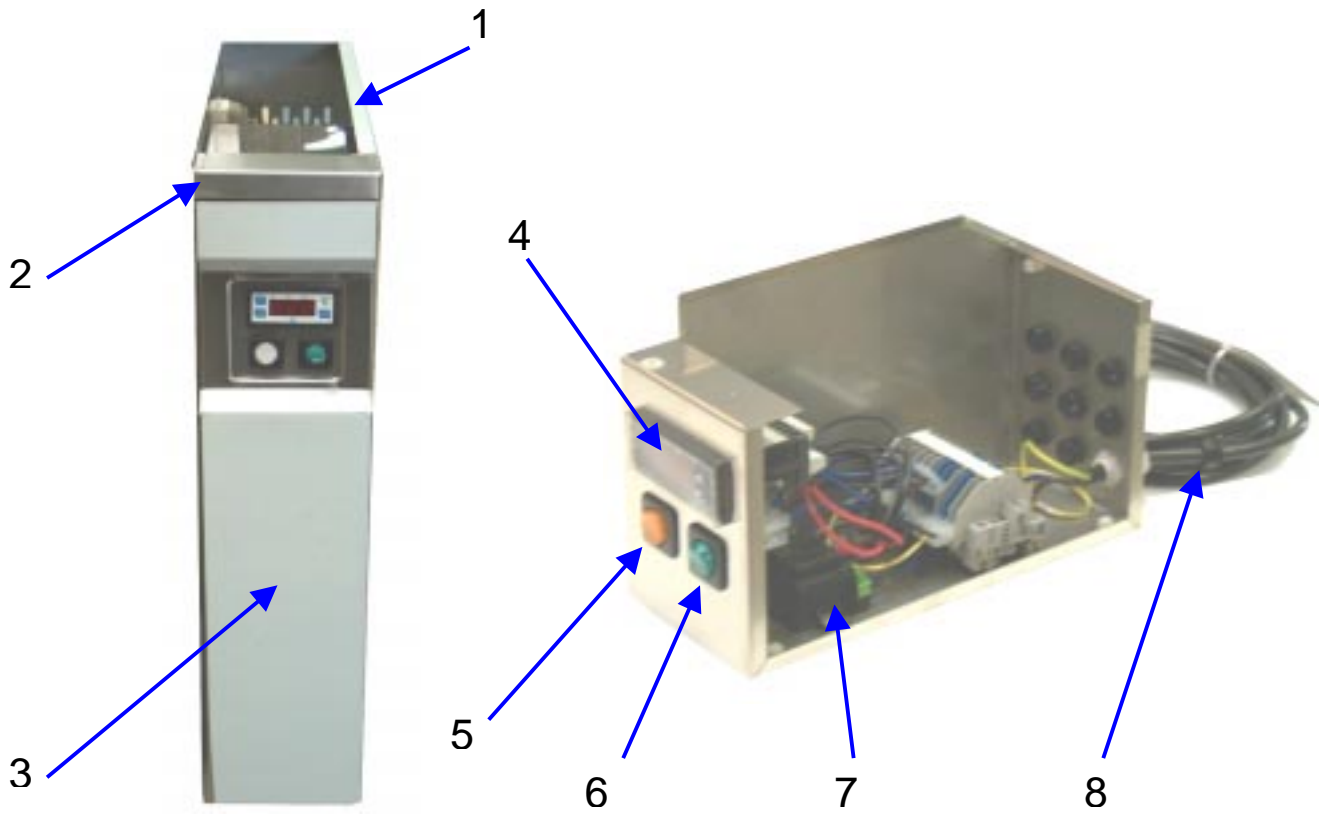
**KTAP 00**

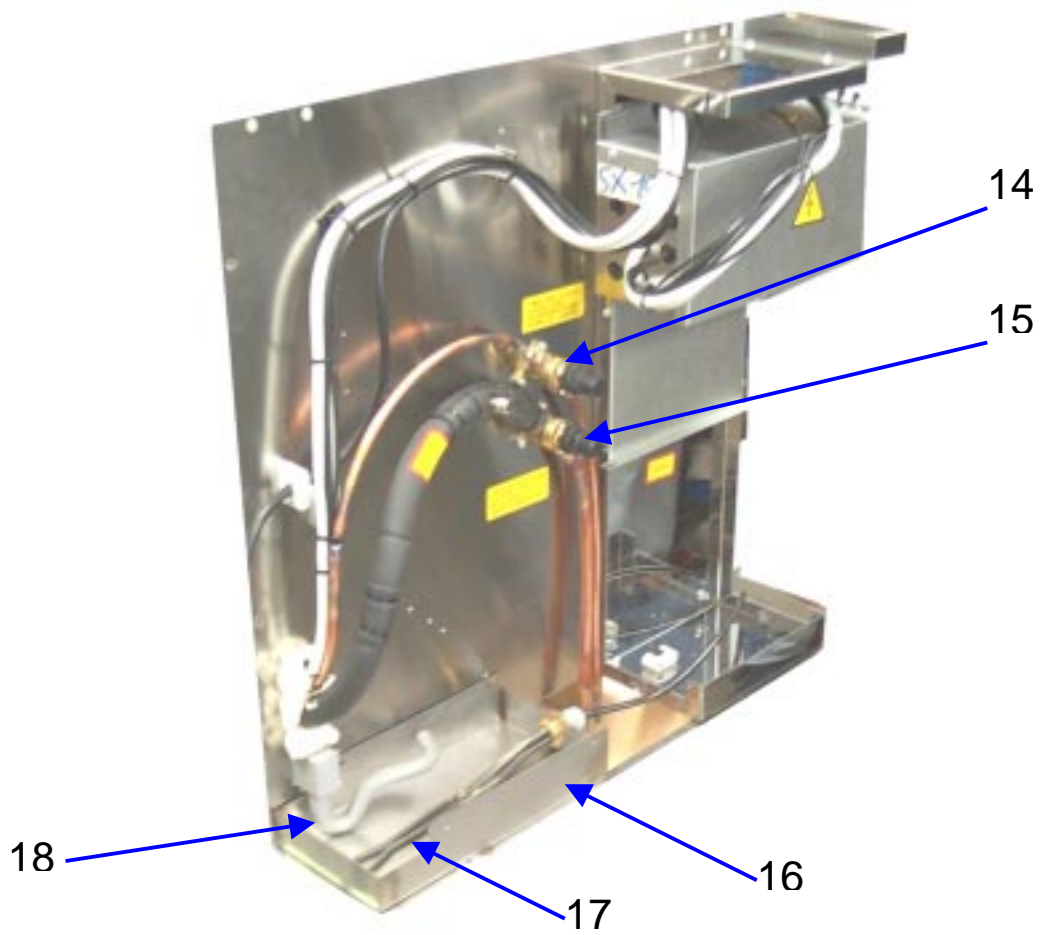
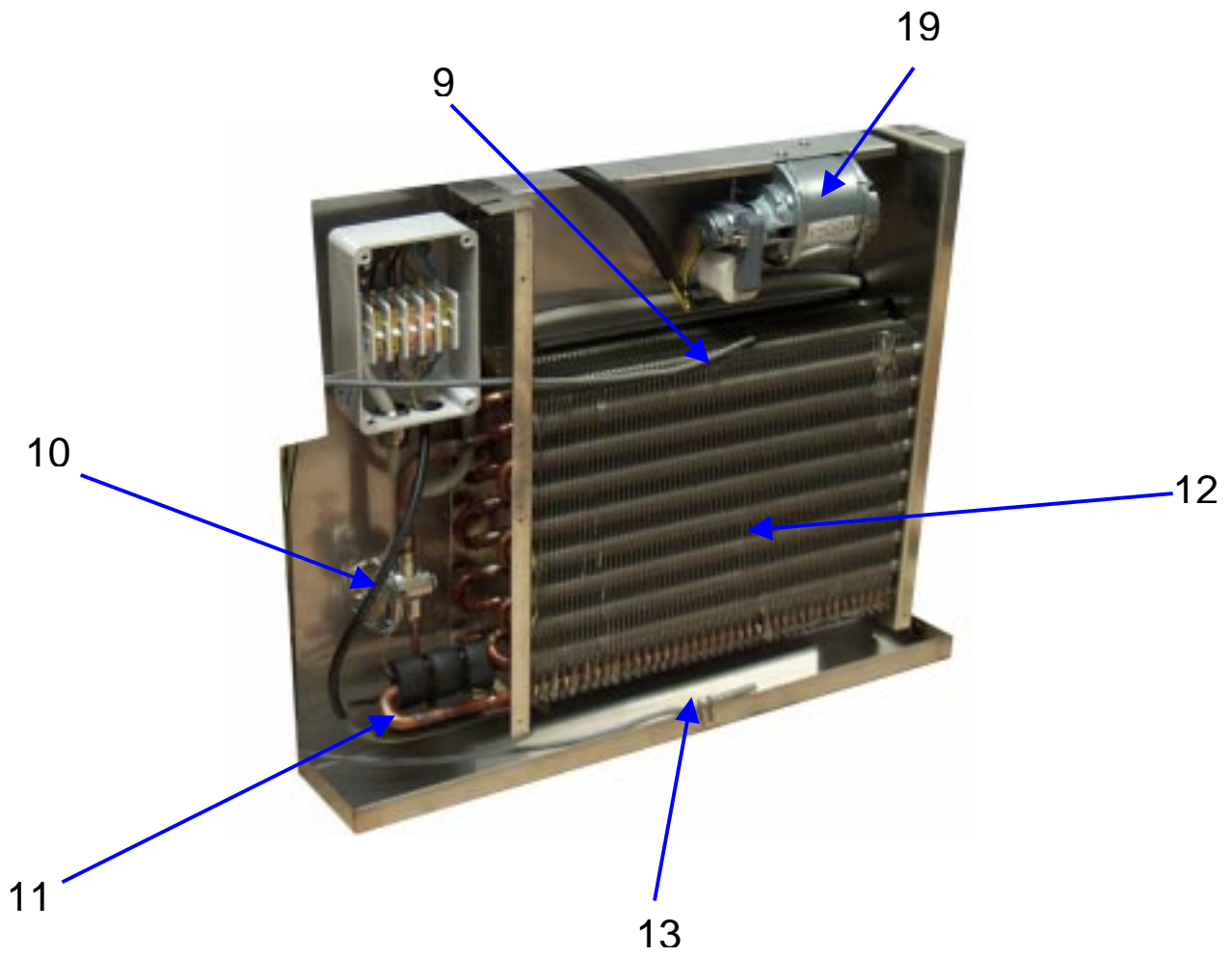
**KTAP 01**

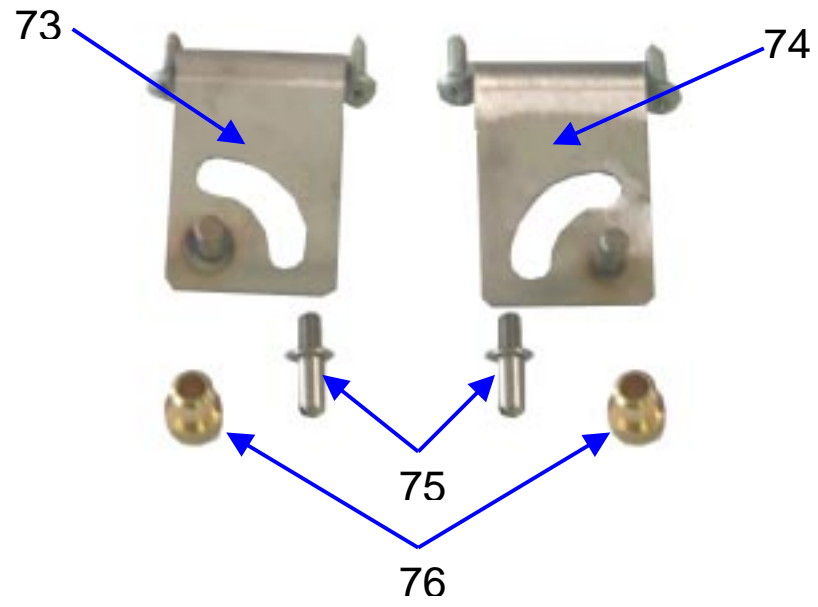
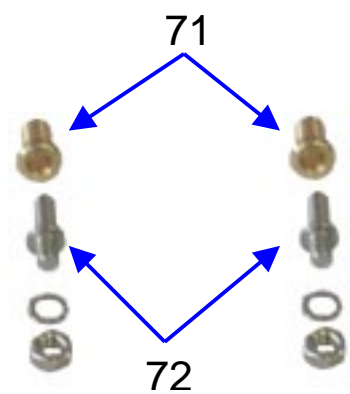
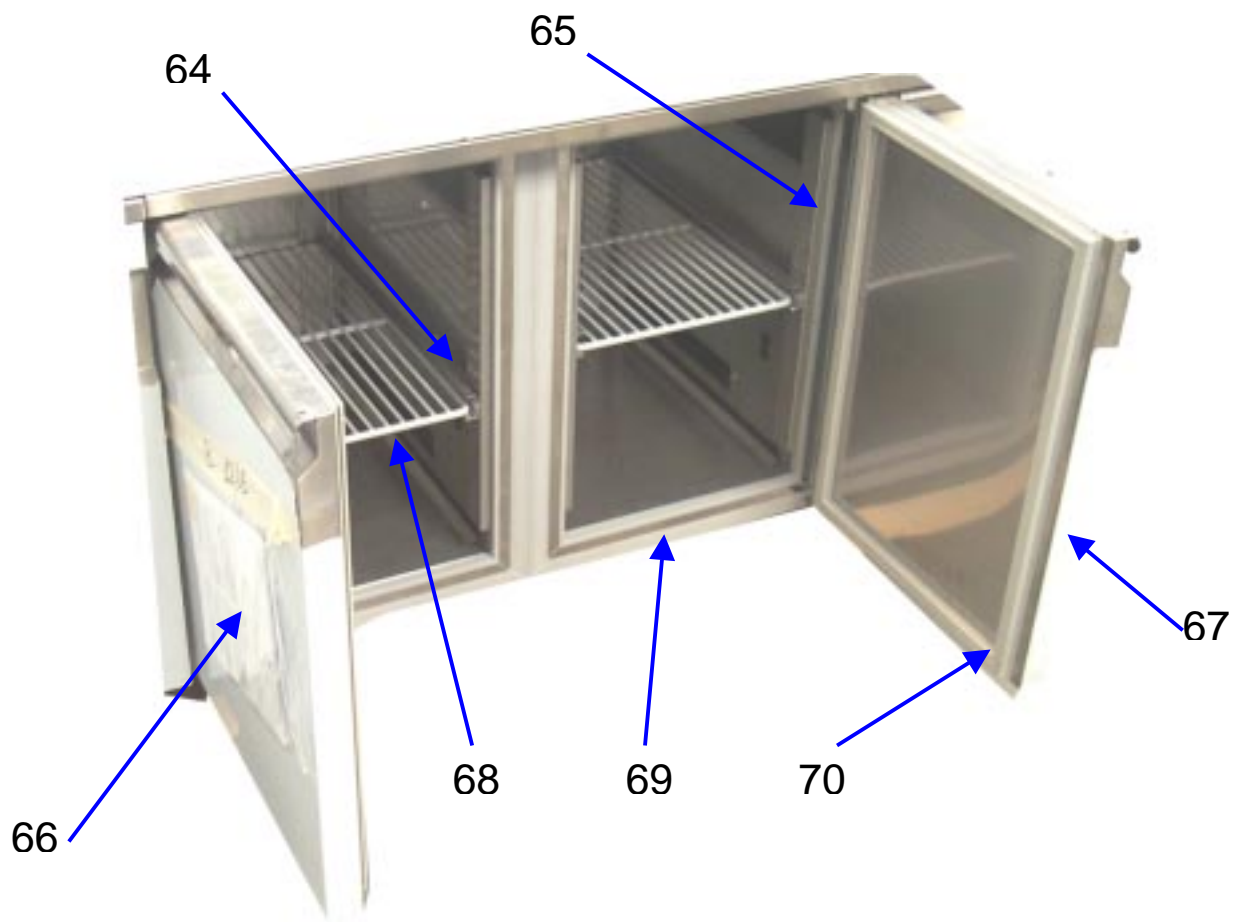
**KTAP 02**

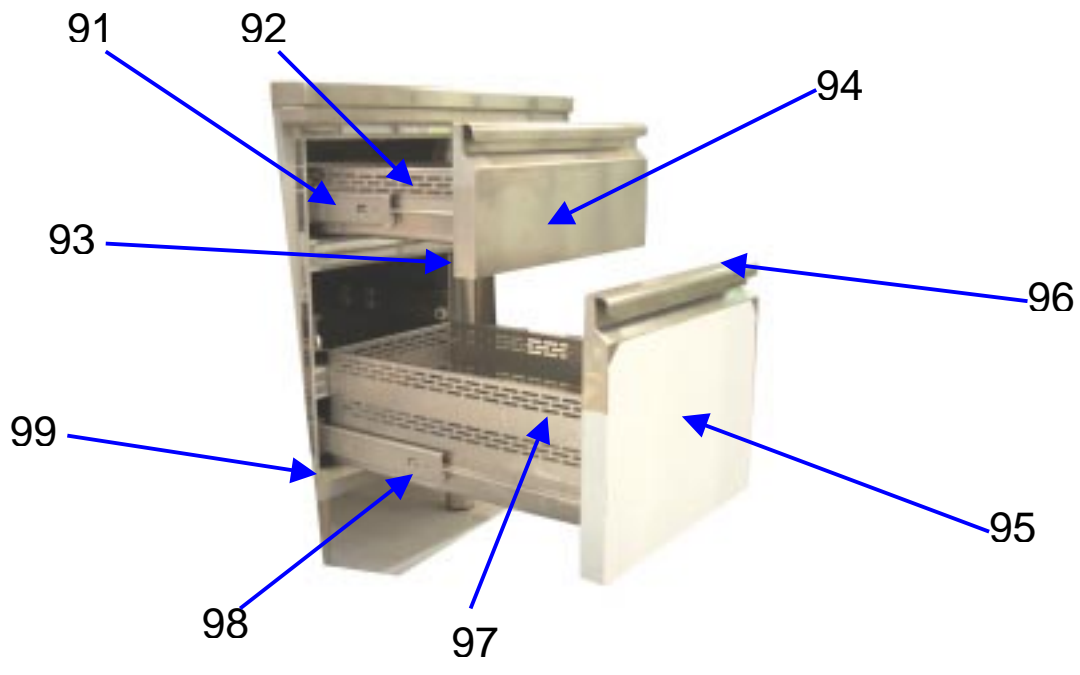
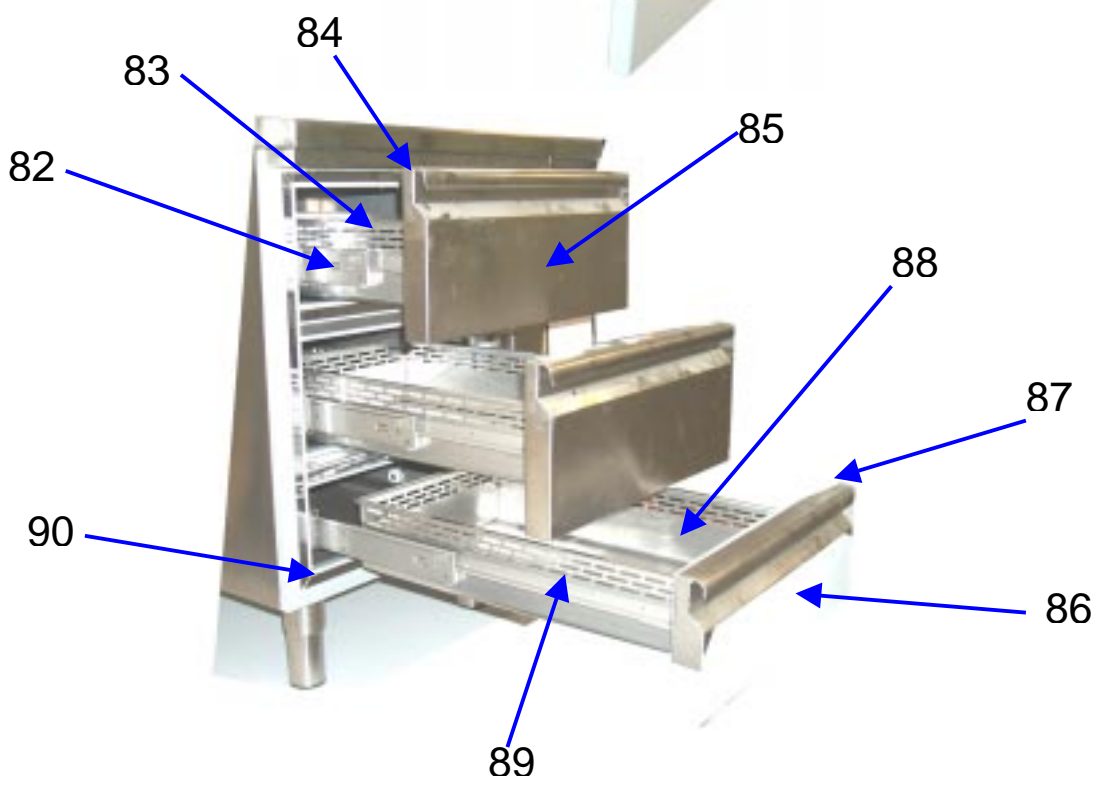
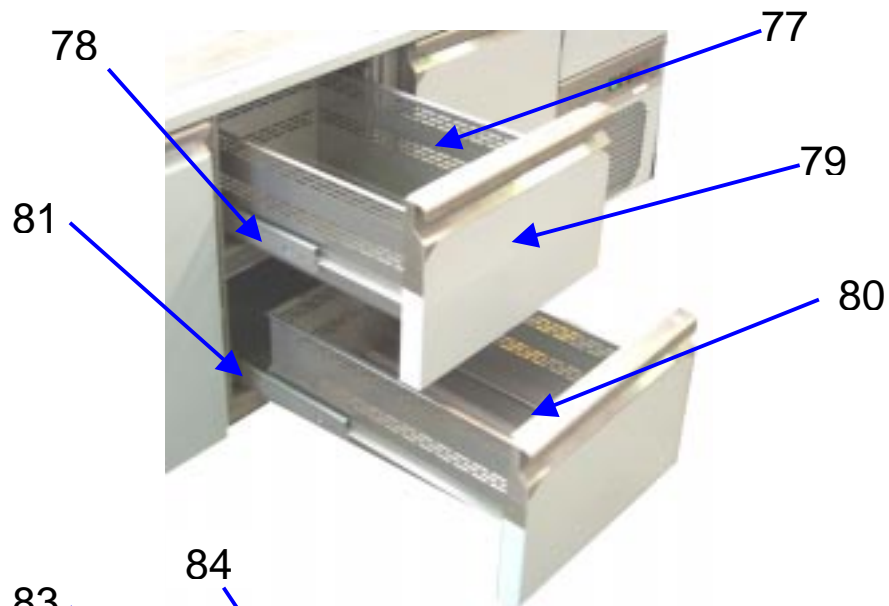
**KTAP 03**

**KTAP 04**











Code : **KTAP00**  
Model : **KTAP00**

N° CODE PZ DESCRIPTION

1,00	3341301290	0	Control panel side panel	
2,00	33277300	0	Covering	
3,00	3360600200	0	Side control panel	
4,00	16811082	0	Thermostat	
5,00	1640010	0	Yellow defrost lamp	
6,00	1635110	0	High-brightness switch	
7,00	168305	0	Transformer	
8,00	1610056	0	Power cord	
9,00	167209	0	Sensor	
10,00	14971752	0	Valve body	
11,00	1666250	0	Evaporator defrost heater	250W
12,00	14330210171	0	Evaporator	
13,00	167209	0	Sensor	
14,00	14740500	0	Tap	ø6
15,00	14740510	0	Tap	ø10
16,00	32100040	0	Self-evaporating pan	
17,00	1666150	0	Heater	150W
18,00	14923172	0	Drain trap	
19,00	1648106045	0	Motor-driven fan	
51,00	1467522	0	Square foot	quadro
52,00	1467008	0	Thermoplastic snap-in foot	
53,00	1467524	0	Square foot	quadro
54,00	1467526	0	Square foot	quadro
55,00	1467504	0	Round foot	
56,00	1467506	0	Round foot	
57,00	1467508	0	Round foot	
58,00	147802	0	Caster with brake	ø80
59,00	147801	0	Caster	ø80
60,00	147806	0	Caster with brake	ø100
61,00	147805	0	Caster	ø100
62,00	147808	0	Caster with brake	ø125
63,00	147807	0	Caster	ø125
64,00	3351300100	0	Pair of slides for shelves	
65,00	3358300100	0	Slide holder upright	
66,00	32633100	0	Convex panel - half door	
67,00	32633100	0	Convex panel - half door	
68,00	1440053325	0	Wire shelf	530x325
69,00	1666022	0	Frame heater	22W
70,00	14414300620	0	Door gasket	396x566
71,00	140712153	0	Bushing	12x15
72,00	146610025	0	Door holding pin	10x25x6 M6
73,00	1412150	0	Lower hinge	sx
74,00	1412151	0	Lower hinge	dx
75,00	146606019	0	Door stop pin	
76,00	140712155	0	Bushing	12x15
77,00	32531012	0	Drawer envelope	1/2
78,00	144907	0	Pair of telescopic slides	
79,00	32241012	0	Convex panel - drawer	1/2
80,00	14414300290	0	Drawer gasket	396x266 Cass.1/2
81,00	1666022	0	Frame heater	22W
82,00	144907	0	Pair of telescopic slides	
83,00	32531013	0	Drawer envelope	1/3
84,00	14414300200	0	Drawer gasket	396x178 Cass.1/3
85,00	32241013	0	Convex panel - drawer	1/3 sup
86,00	322410131	0	Convex panel - drawer	1/3 inf
87,00	14414300150	0	Drawer gasket	396x142 Cass.1/3
88,00	32531013	0	Drawer envelope	1/3



Code : **KTAP00**

Model : **KTAP00**

N° CODE

PZ DESCRIPTION

---

89,00	144907	0	Pair of telescopic slides	
90,00	1666022	0	Frame heater	22W
91,00	144907	0	Pair of telescopic slides	
92,00	32531013	0	Drawer envelope	1/3
93,00	14414300200	0	Drawer gasket	396x178 Cass.1/3
94,00	32241013	0	Convex panel - drawer	1/3 sup
95,00	32241023	0	Convex panel - drawer	2/3
96,00	14414300390	0	Drawer gasket	396x354 Cass.2/3
97,00	32531012	0	Drawer envelope	1/2
98,00	144907	0	Pair of telescopic slides	
99,00	1666022	0	Frame heater	22W



Code : **KTAP01**  
Model : **KTAP01**

N° CODE PZ DESCRIPTION

1,00	3341301290	0	Control panel side panel	
2,00	33277300	0	Covering	
3,00	3360600200	0	Side control panel	
4,00	16811082	0	Thermostat	
5,00	1640010	0	Yellow defrost lamp	
6,00	1635110	0	High-brightness switch	
7,00	168305	0	Transformer	
8,00	1610056	0	Power cord	
9,00	167209	0	Sensor	
10,00	14971752	0	Valve body	
11,00	1666250	0	Evaporator defrost heater	250W
12,00	14330210171	0	Evaporator	
13,00	167209	0	Sensor	
14,00	14740500	0	Tap	ø6
15,00	14740510	0	Tap	ø10
16,00	32100040	0	Self-evaporating pan	
17,00	1666150	0	Heater	150W
18,00	14923172	0	Drain trap	
19,00	1648106045	0	Motor-driven fan	
51,00	1467522	0	Square foot	quadro
52,00	1467008	0	Thermoplastic snap-in foot	
53,00	1467524	0	Square foot	quadro
54,00	1467526	0	Square foot	quadro
55,00	1467504	0	Round foot	
56,00	1467506	0	Round foot	
57,00	1467508	0	Round foot	
58,00	147802	0	Caster with brake	ø80
59,00	147801	0	Caster	ø80
60,00	147806	0	Caster with brake	ø100
61,00	147805	0	Caster	ø100
62,00	147808	0	Caster with brake	ø125
63,00	147807	0	Caster	ø125
64,00	3351300100	0	Pair of slides for shelves	
65,00	3358300100	0	Slide holder upright	
66,00	32633100	0	Convex panel - half door	
67,00	32633100	0	Convex panel - half door	
68,00	1440053325	0	Wire shelf	530x325
69,00	1666022	0	Frame heater	22W
70,00	14414300620	0	Door gasket	396x566
71,00	140712153	0	Bushing	12x15
72,00	146610025	0	Door holding pin	10x25x6 M6
73,00	1412150	0	Lower hinge	sx
74,00	1412151	0	Lower hinge	dx
75,00	146606019	0	Door stop pin	
76,00	140712155	0	Bushing	12x15
77,00	32531012	0	Drawer envelope	1/2
78,00	144907	0	Pair of telescopic slides	
79,00	32241012	0	Convex panel - drawer	1/2
80,00	14414300290	0	Drawer gasket	396x266 Cass.1/2
81,00	1666022	0	Frame heater	22W
82,00	144907	0	Pair of telescopic slides	
83,00	32531013	0	Drawer envelope	1/3
84,00	14414300200	0	Drawer gasket	396x178 Cass.1/3
85,00	32241013	0	Convex panel - drawer	1/3 sup
86,00	322410131	0	Convex panel - drawer	1/3 inf
87,00	14414300150	0	Drawer gasket	396x142 Cass.1/3
88,00	32531013	0	Drawer envelope	1/3





Code : **KTAP01**

Model : **KTAP01**

N° CODE

PZ DESCRIPTION

---

89,00	144907	0	Pair of telescopic slides	
90,00	1666022	0	Frame heater	22W
91,00	144907	0	Pair of telescopic slides	
92,00	32531013	0	Drawer envelope	1/3
93,00	14414300200	0	Drawer gasket	396x178 Cass.1/3
94,00	32241013	0	Convex panel - drawer	1/3 sup
95,00	32241023	0	Convex panel - drawer	2/3
96,00	14414300390	0	Drawer gasket	396x354 Cass.2/3
97,00	32531012	0	Drawer envelope	1/2
98,00	144907	0	Pair of telescopic slides	
99,00	1666022	0	Frame heater	22W



Code : **KTAP02**  
Model : **KTAP02**

N° CODE PZ DESCRIPTION

1,00	3341301290	0	Control panel side panel	
2,00	33277300	0	Covering	
3,00	3360600200	0	Side control panel	
4,00	16811102	0	Thermostat	
5,00	1640010	0	Yellow defrost lamp	
6,00	1635110	0	High-brightness switch	
7,00	168305	0	Transformer	
8,00	1610056	0	Power cord	
9,00	167211	0	Sensor	
10,00	14971752	0	Valve body	
11,00	1666250	0	Evaporator defrost heater	250W
12,00	14330210171	0	Evaporator	
13,00	167211	0	Sensor	
14,00	14740505	0	Tap	ø8
15,00	14740512	0	Tap	ø12
16,00	32100040	0	Self-evaporating pan	
17,00	1666150	0	Heater	150W
18,00	14923172	0	Drain trap	
19,00	1648106045	0	Motor-driven fan	
51,00	1467522	0	Square foot	quadro
52,00	1467008	0	Thermoplastic snap-in foot	
53,00	1467524	0	Square foot	quadro
54,00	1467526	0	Square foot	quadro
55,00	1467504	0	Round foot	
56,00	1467506	0	Round foot	
57,00	1467508	0	Round foot	
58,00	147802	0	Caster with brake	ø80
59,00	147801	0	Caster	ø80
60,00	147806	0	Caster with brake	ø100
61,00	147805	0	Caster	ø100
62,00	147808	0	Caster with brake	ø125
63,00	147807	0	Caster	ø125
64,00	3351300100	0	Pair of slides for shelves	
65,00	3358300100	0	Slide holder upright	
66,00	32633100	0	Convex panel - half door	
67,00	32633100	0	Convex panel - half door	
68,00	1440053325	0	Wire shelf	530x325
69,00	1666022	0	Frame heater	22W
70,00	14414300620	0	Door gasket	396x566
71,00	140712153	0	Bushing	12x15
72,00	146610025	0	Door holding pin	10x25x6 M6
73,00	1412150	0	Lower hinge	sx
74,00	1412151	0	Lower hinge	dx
75,00	146606019	0	Door stop pin	
76,00	140712155	0	Bushing	12x15
77,00	32531012	0	Drawer envelope	1/2
78,00	144907	0	Pair of telescopic slides	
79,00	32241012	0	Convex panel - drawer	1/2
80,00	14414300290	0	Drawer gasket	396x266 Cass.1/2
81,00	1666022	0	Frame heater	22W
82,00	144907	0	Pair of telescopic slides	
83,00	32531013	0	Drawer envelope	1/3
84,00	14414300200	0	Drawer gasket	396x178 Cass.1/3
85,00	32241013	0	Convex panel - drawer	1/3 sup
86,00	322410131	0	Convex panel - drawer	1/3 inf
87,00	14414300150	0	Drawer gasket	396x142 Cass.1/3
88,00	32531013	0	Drawer envelope	1/3



Code : **KTAP02**

Model : **KTAP02**

N° CODE

PZ DESCRIPTION

---

89,00	144907	0	Pair of telescopic slides	
90,00	1666022	0	Frame heater	22W
91,00	144907	0	Pair of telescopic slides	
92,00	32531013	0	Drawer envelope	1/3
93,00	14414300200	0	Drawer gasket	396x178 Cass.1/3
94,00	32241013	0	Convex panel - drawer	1/3 sup
95,00	32241023	0	Convex panel - drawer	2/3
96,00	14414300390	0	Drawer gasket	396x354 Cass.2/3
97,00	32531012	0	Drawer envelope	1/2
98,00	144907	0	Pair of telescopic slides	
99,00	1666022	0	Frame heater	22W



Code : **KTAP04**  
Model : **KTAP04**

N° CODE PZ DESCRIPTION

1,00	3341301290	0	Control panel side panel	
2,00	33277300	0	Covering	
3,00	3360600200	0	Side control panel	
4,00	16811102	0	Thermostat	
5,00	1640010	0	Yellow defrost lamp	
6,00	1635110	0	High-brightness switch	
7,00	168305	0	Transformer	
8,00	1610056	0	Power cord	
9,00	167211	0	Sensor	
10,00	14971752	0	Valve body	
11,00	1666250	0	Evaporator defrost heater	250W
12,00	14330210171	0	Evaporator	
13,00	167211	0	Sensor	
14,00	14740505	0	Tap	ø8
15,00	14740512	0	Tap	ø12
16,00	32100040	0	Self-evaporating pan	
17,00	1666150	0	Heater	150W
18,00	14923172	0	Drain trap	
19,00	1648106045	0	Motor-driven fan	
51,00	1467522	0	Square foot	quadro
52,00	1467008	0	Thermoplastic snap-in foot	
53,00	1467524	0	Square foot	quadro
54,00	1467526	0	Square foot	quadro
55,00	1467504	0	Round foot	
56,00	1467506	0	Round foot	
57,00	1467508	0	Round foot	
58,00	147802	0	Caster with brake	ø80
59,00	147801	0	Caster	ø80
60,00	147806	0	Caster with brake	ø100
61,00	147805	0	Caster	ø100
62,00	147808	0	Caster with brake	ø125
63,00	147807	0	Caster	ø125
64,00	3351300100	0	Pair of slides for shelves	
65,00	3358300100	0	Slide holder upright	
66,00	32633100	0	Convex panel - half door	
67,00	32633100	0	Convex panel - half door	
68,00	1440053325	0	Wire shelf	530x325
69,00	1666022	0	Frame heater	22W
70,00	14414300620	0	Door gasket	396x566
71,00	140712153	0	Bushing	12x15
72,00	146610025	0	Door holding pin	10x25x6 M6
73,00	1412150	0	Lower hinge	sx
74,00	1412151	0	Lower hinge	dx
75,00	146606019	0	Door stop pin	
76,00	140712155	0	Bushing	12x15
77,00	32531012	0	Drawer envelope	1/2
78,00	144907	0	Pair of telescopic slides	
79,00	32241012	0	Convex panel - drawer	1/2
80,00	14414300290	0	Drawer gasket	396x266 Cass.1/2
81,00	1666022	0	Frame heater	22W
82,00	144907	0	Pair of telescopic slides	
83,00	32531013	0	Drawer envelope	1/3
84,00	14414300200	0	Drawer gasket	396x178 Cass.1/3
85,00	32241013	0	Convex panel - drawer	1/3 sup
86,00	322410131	0	Convex panel - drawer	1/3 inf
87,00	14414300150	0	Drawer gasket	396x142 Cass.1/3
88,00	32531013	0	Drawer envelope	1/3



Code : **KTAP04**

Model : **KTAP04**

N° CODE

PZ DESCRIPTION

---

89,00	144907	0	Pair of telescopic slides	
90,00	1666022	0	Frame heater	22W
91,00	144907	0	Pair of telescopic slides	
92,00	32531013	0	Drawer envelope	1/3
93,00	14414300200	0	Drawer gasket	396x178 Cass.1/3
94,00	32241013	0	Convex panel - drawer	1/3 sup
95,00	32241023	0	Convex panel - drawer	2/3
96,00	14414300390	0	Drawer gasket	396x354 Cass.2/3
97,00	32531012	0	Drawer envelope	1/2
98,00	144907	0	Pair of telescopic slides	
99,00	1666022	0	Frame heater	22W