

**Ersatzteilkatalog**

**Spare parts list**

## **PALUX Topline Thermik**

**Topline Vario Kocher**

**Topline Twin-Go Vario Kocher**



**Dieser Ersatzteilkatalog ist gültig**

- für Topline Thermik, ab Baujahr 1994
- für Topline Thermik Twin-Go, ab Baujahr 1999

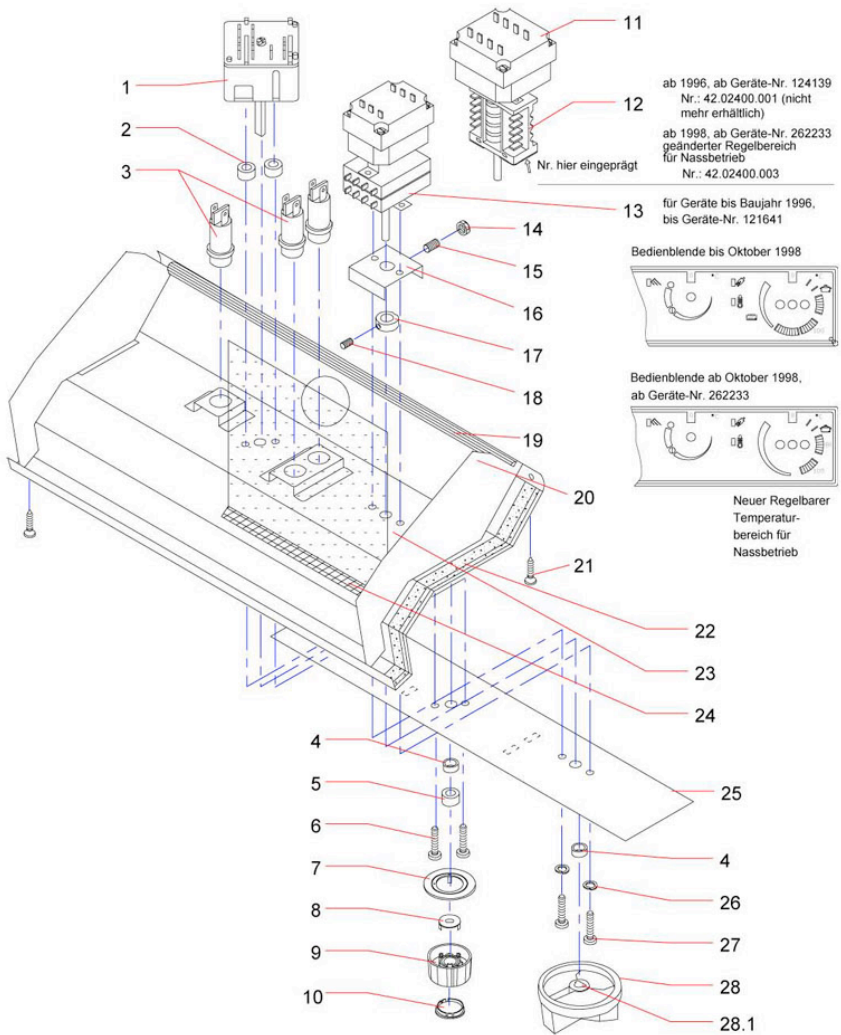
**Typenübersicht****Topline**

- 503010 Vario Kocher 400
- 517887 Vario Kocher 400 mit Ablauf nach hinten (Produziert ab 3. 1996)
- 503150 Vario Kocher 600 GN 1 1/2 (Ab 1995 nicht mehr produziert)
- 657735 Vario Kocher 400 mit Heizstrahler
- 637564 Vario Kocher 400 230V 3 50Hz
- 635324 Vario Kocher 400 400/400V 3 50/60 Hz Schiffsausführung
- 700673 Arbeitsplatte 200, mit schwenkbarem Heizstrahler (ab 1999)
- 730610 Vario Kocher 400 mit Wasserzulauf
- 730629 Vario Kocher 400 mit Wasserzulauf und Ablauf nach hinten
- 833193 Vario Kocher 400 mit Heizstrahler 230V 50/60Hz 6,4kW

**Topline Twin-Go**

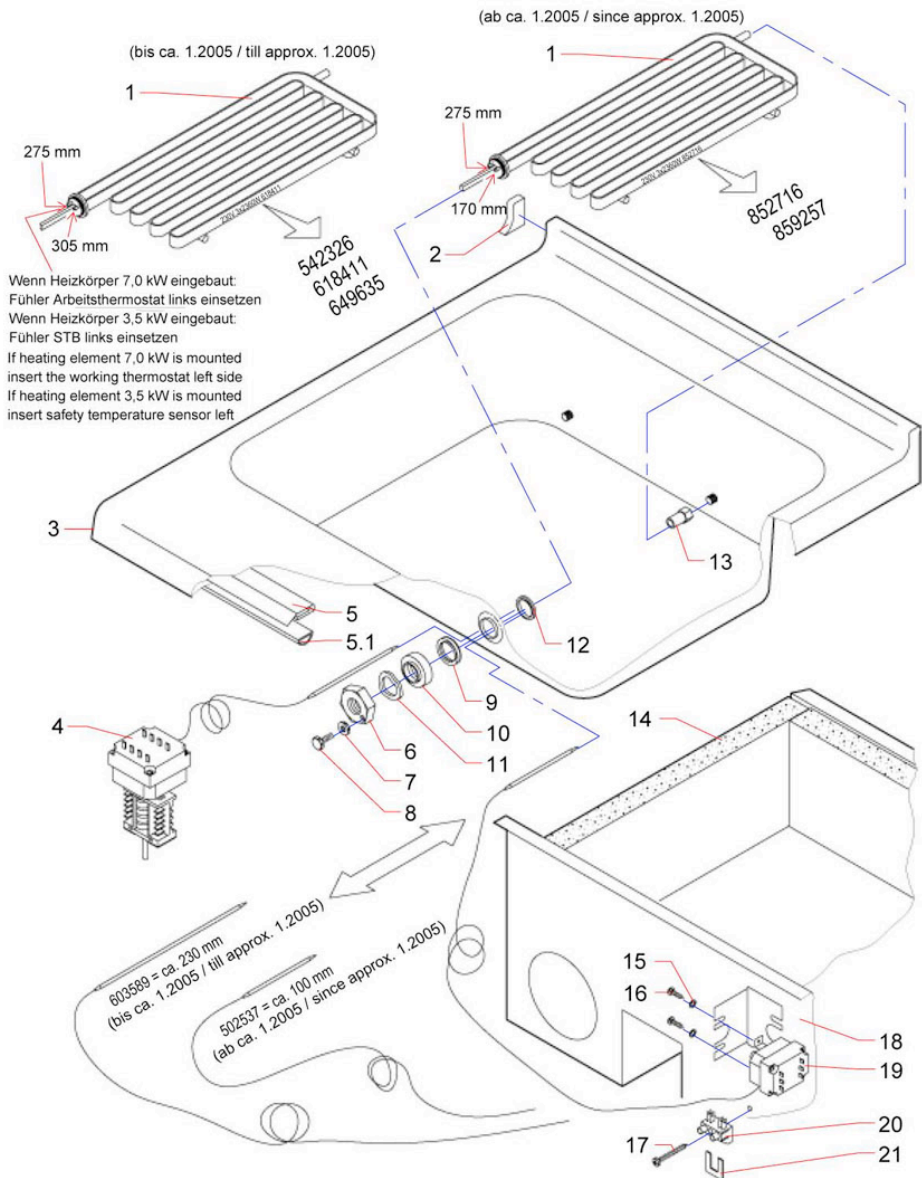
- 686298 Vario Kocher 400 Twin-Go
- 688428 Vario Kocher 400 Twin-Go, mit Heizstrahler
- 736104 Vario Kocher Twin-Go mit Ablauf nach hinten
- 702560 Arbeitsplatte 200, mit Heizstrahler

**front panel, thermostat**



Pos.	Description	Article	Historie
1	energy regulator	314544	
2	stop	504882	
3	pilot lamp	395056	
4	hose section	632236	
5	bushing	333832	
6	oval head screw M4X8	333905	
7	washer	325961	
8	antirotation device	334790	
9	round knob w. mark	325929	
10	lid w. mark	325945	
11	capillary tube controller	634980	Ab Ger-Nr. 124139 - 1996 / 262233 - 1998
12	program selector	685380	
13	capillary tube controller	606227	Bis Ger-Nr. 121641 - 1996
14	nut M 5	252867	
15	spring mounted pad	332763	
16	angle	606243	
17	grid disc	606235	
18	threaded pin M 4x8	012653	
19	seal profil	374407	
20	front panel cpl.	502022	
20	front panel cpl.	658871	
20	front panel cpl.	502030	
21	sheet metal screw	059803	
22	silicone foam profile joint	604151	
23	covering foil	648434	
24	adhesive tape	046515	
25	control keypad	609870	
25	control keypad	503258	
25	control keypad	685372	
25	Bedienfolie Vario Kocher 400 mit Wasserzulauf	735922	
25	control keypad	396079	
26	spring lock washer A4	001023	
27	screw M 4X16 DIN 84	037311	
27	screw M 4X6	174084	
28	toggle	393800	
28.1	holder f. button	052965	

**pan, heating element, thermostat**



Pos.	Description	Article
1	heating element 3500W (not anymore on stock, see below the information)	542326
1	heating element 3x2340W (not anymore on stock, see below the information)	618411
1	heating element 3x1930W/230V (not anymore on stock, see below the information)	649635
1	heating element cpl. 3x2340W (since approx. 1.2005, see below the information)	852716
1	heating element cpl. 3x1930W (since approx. 1.2005, see below the information)	859257
2	sealing plate	648094
3	housing cpl.	
4	capillary tube controller (till mach.no. 121641 - 1996)	606227
4	capillary tube controller (since mach.no 124139 - 1996 / 262233)	634980
4	program selector 42.02400.003 (since mach.no 124139 - 262233)	685380
5	sealing bar 400	619035
5	sealing bar 600	619043
5.1	seal profil	374407
6	clamping nut M 36X1.5	264849
7	nut M 4	003905
8	screw M4X16	189499
9	sealing ring	262153
10	retaining ring deep fat fryer	262161
11	corugated spring lock washer	276308
12	sealing ring	261033
13	bearing bush	604224
14	insulation cuttled set	660965
15	spring lock washer A4	001023
16	screw M 4X6	174084
17	sheet metal screw	068209
18	cover 400	604208
18	cover 600	604216
19	capillary safety temp. thermostat (for heating element 618411 und 649635)	603589
19	capillary safety temp. thermostat (for heating element 852716 und 859257)	502537
20	plug in strip	070858
21	connecting flap	517208

**Alternation (FA019324-033)**

mounting of an self secured capillary safety temp. thermostat through that we have new

- capillary safety temp. switch, with shorter sensor and
- heating element with shorter securing pipe.

**Implementation**

since approx. January 2005, since mach.no. 386834

**Spare parts exchange**

If the heating elements 542326, 618411 or 649635 need to be exchanged by heating element 852716 or 859257 also the safety thermostat 603589 needs to be exchanged through safety thermostat 502537!

**Safety hint**

Caution! Just the specified combination, heating element with the corresponding safety thermostat are allowed to be used. Otherwise it can give malfunction or break down of the safety thermostat!

**heating element - safety temp. switch**

618411 <----> 603589 (used till 18.1.2005)

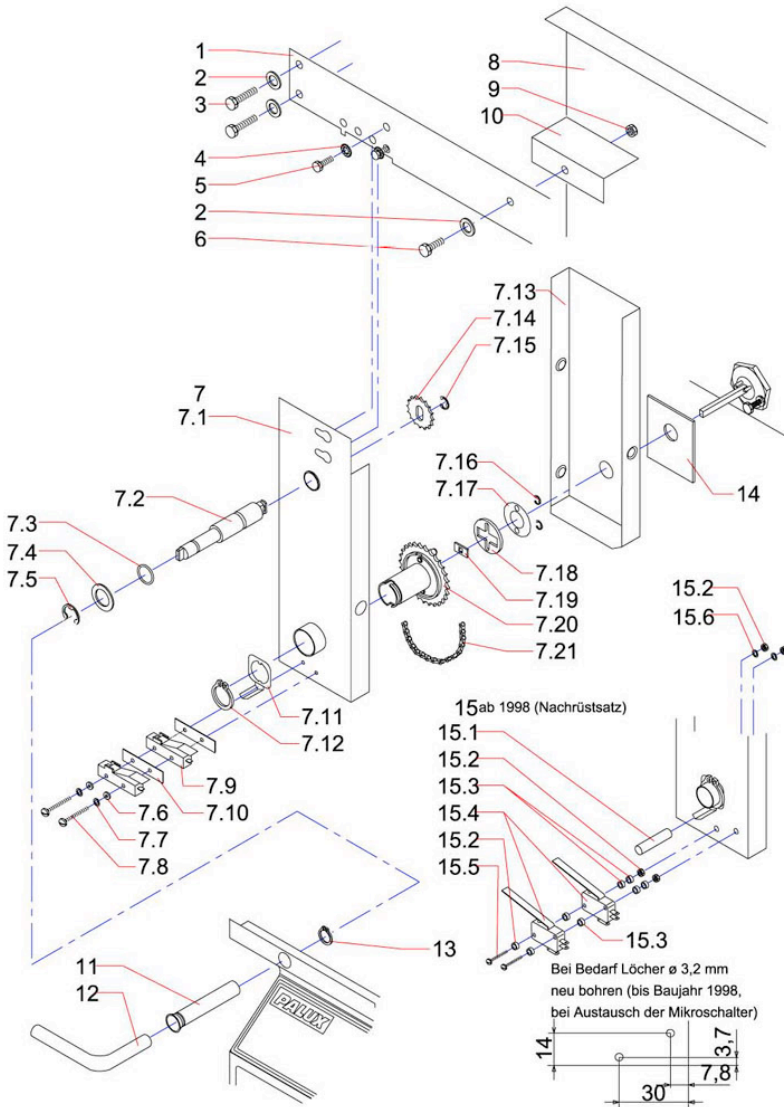
649635 <----> 603589 (used till 18.1.2005)

**heating element - safety temp. switch**

852716 <----> 502537 (used since 18.1.2005)

859257 <----> 502537 (used since 18.1.2005)

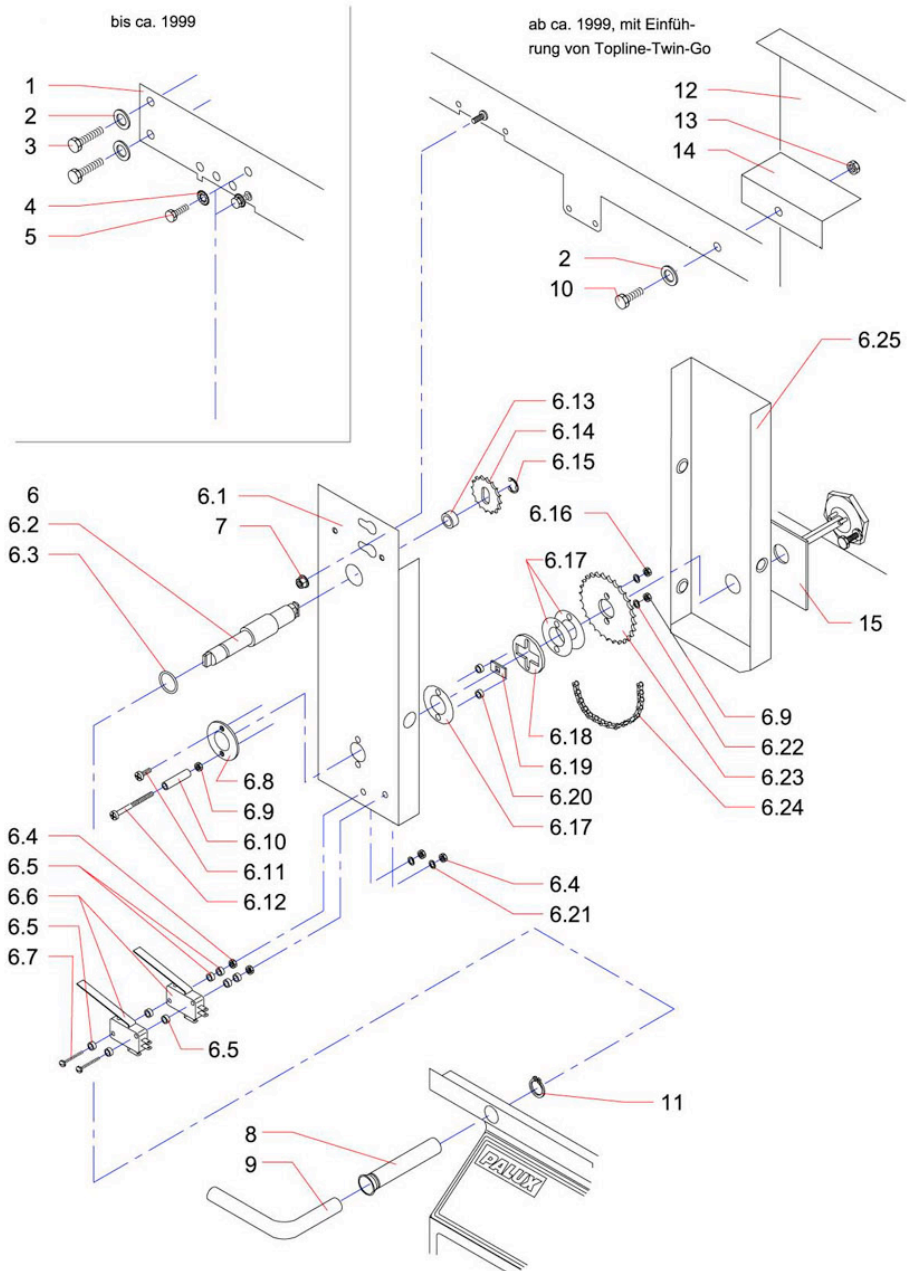
swivel mechanism - till 1998



Pos.	Description	Article
1	support 400	539023
2	washer 6,4	004014
3	screw M 6X16	251194
4	serrated lock washer M 5A	012556
5	screw M 5X10	003743
6	screw M 6X10	251836
7	swivel mechanism lass.	
7.1	bracket f.	542318
7.2	shaft	539775
7.3	o-ring (since 1996)	013471
7.4	washer	539287
7.5	lock washer	240168
7.6	washer 3,2	000965
7.7	spring lock washer A3	000418
7.8	screw M 3X40	055719
7.9	Basisschalter (eingebaut bis 1998)	
7.10	base f. switch (till 1998)	288950
7.11	switch plate	539333
7.12	retaining ring	539376
7.13	lid	528714
7.14	chain wheel 16 tooth	539295
7.15	lock washer	053554
7.16	lock washer	013242
7.17	finishing disc	539325
7.18	intermediate disc	539309
7.19	slide support	539317
7.20	shaft	539147
7.21	chain 71 links	539937
8	cover	604208
9	nut M 6	251887
10	mounting sheet (till 1996)	053090
10	angle (since 1996)	271616
11	bushing fp	539007
12	handle	538981
13	retaining ring	055522
14	insulation board	627860
15	micro switch (since 1998)	694223
15.1	insulation tubing	039926
15.2	nut M 3	000396
15.3	insulation bushing	682233
15.4	micro switch	680907
15.5	screw M 3X25	010480
15.5	screw M 3X40	055719
15.6	spring lock washer A3	000418

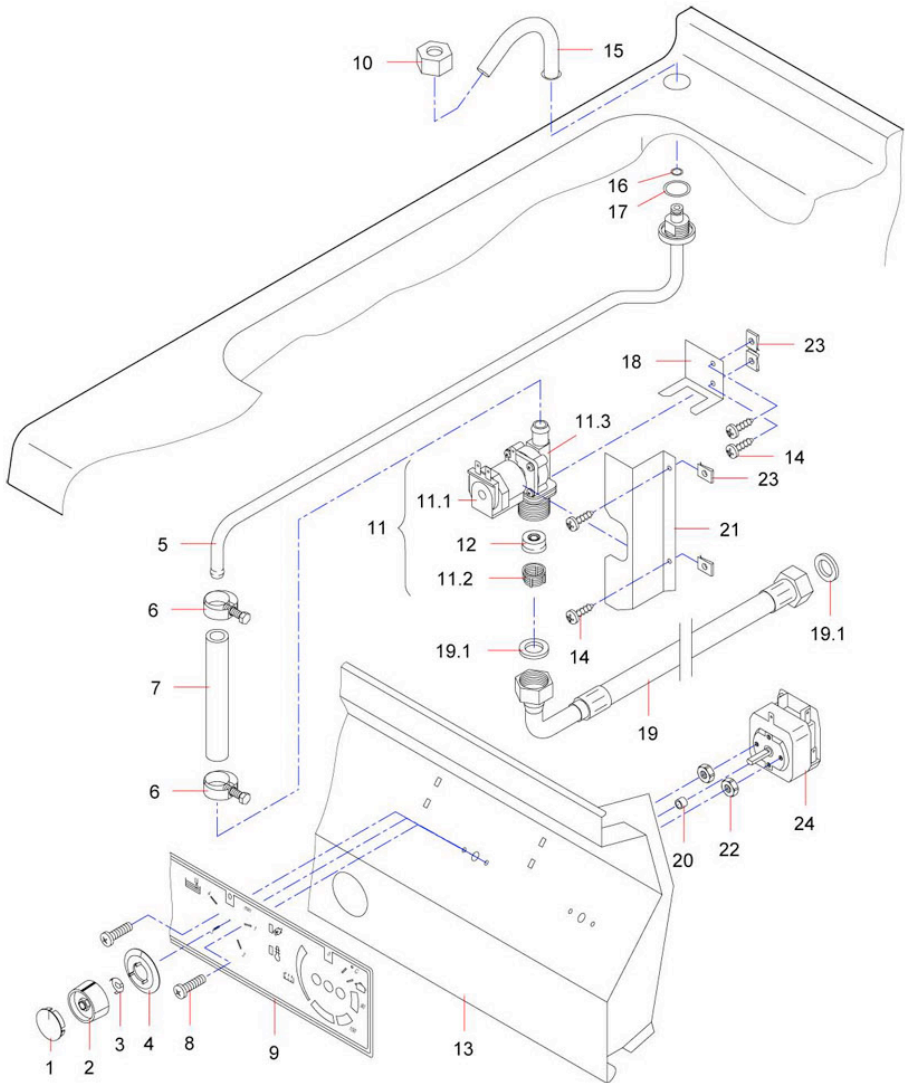


swivel mechanism - since 1998



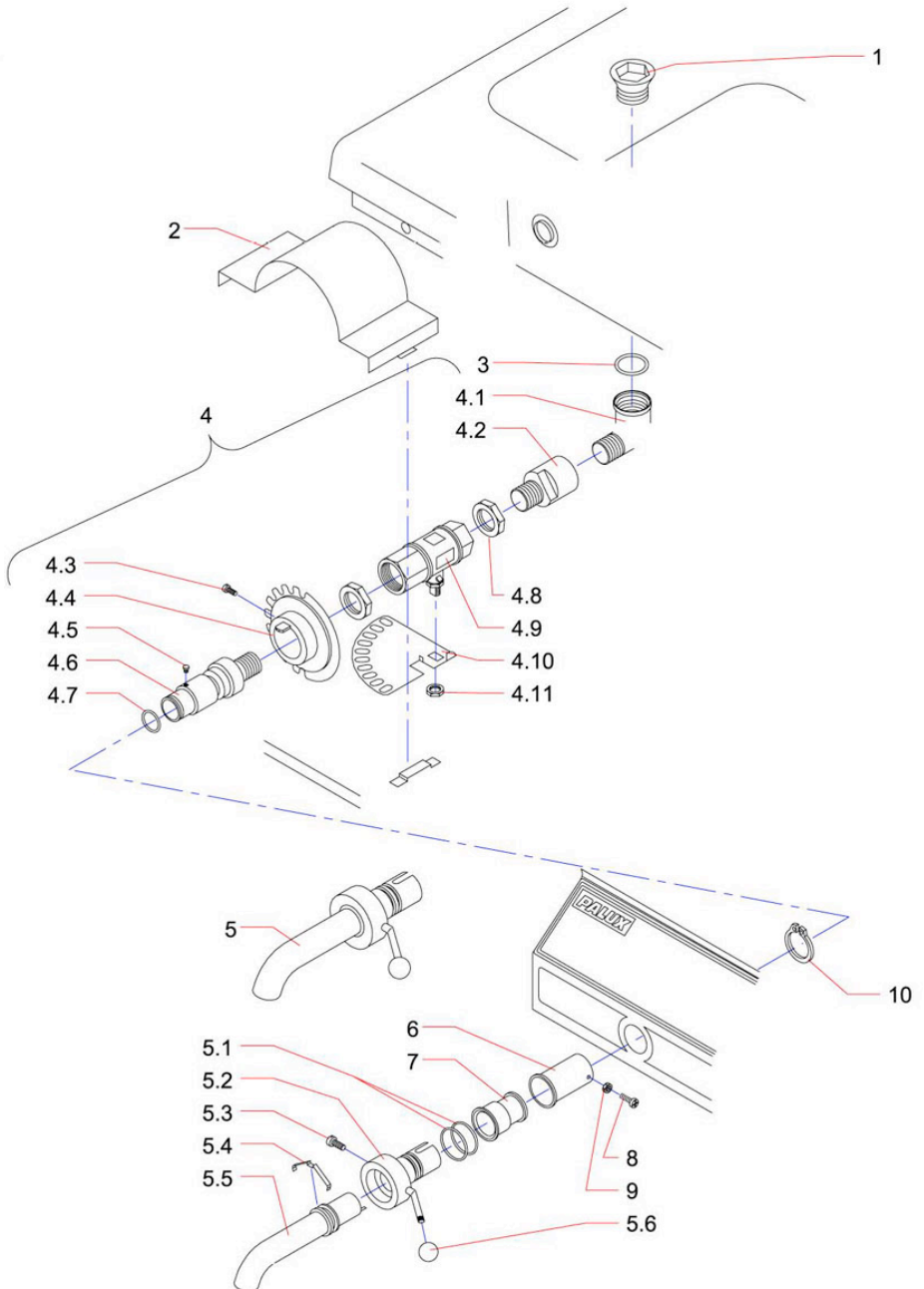
Pos.	Description	Article
1	support 400	539023
2	washer 6,4	004014
3	screw M 6X16	251194
4	serrated lock washer M 5A	012556
5	screw M 5X10	003743
6	swivel mechanism ass.	682373
6.1	bracket swiveling mechanism	682365
6.2	shaft swivel support	682357
6.3	o-ring (since 1996)	013471
6.4	nut M 3	000396
6.5	insulation bushing	682233
6.6	micro switch	680907
6.7	screw M 3X40	055719
6.8	washer f. swivel support	682187
6.9	nut M 4	006637
6.10	insulation bushing	682241
6.11	screw M 4X20	010545
6.12	screw M 4X55	258822
6.13	intermediate ring	682179
6.14	chain wheel 16 tooth	539295
6.15	lock washer	053554
6.16	nut M 4	003905
6.17	sheet metal disc	682195
6.18	intermediate disc	682209
6.19	slide support	539317
6.20	bushing	682225
6.21	spring lock washer A3	000418
6.22	spring lock washer A4	001023
6.23	chain wheel 28 tooth	682217
6.24	chain 71 links	539937
6.25	lid	682381
7	kombi nut w. washer	541397
8	bushing fp	539007
9	handle	538981
10	screw M 6X10	251836
11	retaining ring	055522
12	cover	604208
13	nut M 6	251887
14	angle	271616
15	insulation board	627860

water inlet



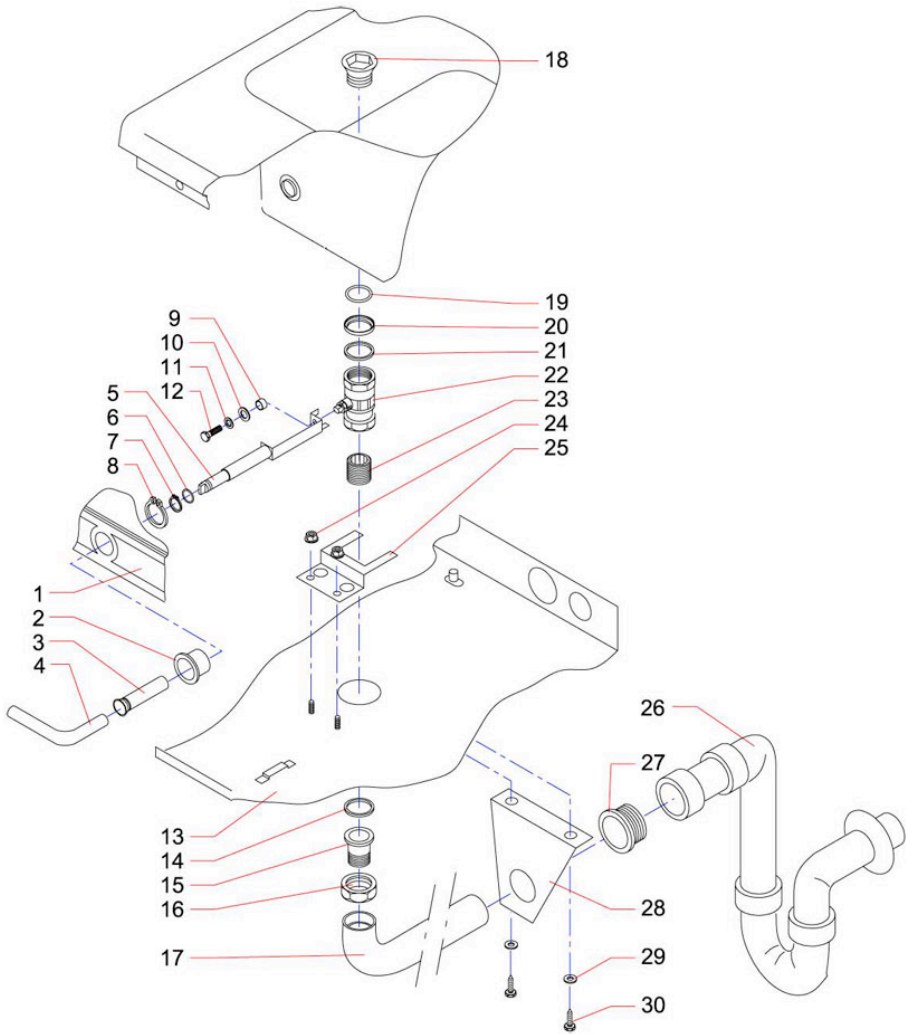
Pos.	Description	Article
1	LID W. MARK	325945
2	CIRCULAR KNOB W. MARK	325929
3	ANTI-ROTATION ELEMENT	334790
4	WASHER W. MARK	325961
5	water inlet pipe cpl.	730572
6	HOSE CLAMP NS	276634
7	HOSE D12 x D18.5	272159
8	OVAL-HEAD SCREW M4x8	333905
9	control keypad 400 water inlet	735922
10	cap nut 1/2	605077
11	SINGLE SOLENOID VALVE	334944
11.1	MAGNETIC COMPONENT V220-053	297313
11.2	FILTER D=19.2 RED	324353
11.3	valve	
12	DURCHFLUSSMENGENREGLER	736252
13	FRONT PANEL CPL.	502022
14	SHEET-METAL SCREW B 3.9x16	059803
15	water inlet	365734
16	O-RING D6.75x1.78	633542
17	O-RING D 22.00x2 DIA 22x2 RUBBER	080973
18	angle bracket solenoid valve	731358
19	braided hose G3/4-G3/4 Zoll	719560
19.1	Sealing 3/4	702412
20	HOSE SECTION	632236
21	cover solenoid valve	730645
22	NUT M 5	252867
23	SNAP-ACTION NUT B3.9	227889
24	Timer SYNCHRON	730580

tube outlet



Pos.	Description	Article
1	screw	640999
2	protective cap	504831
3	o-ring	272825
4	outlet pre ass.	542296
4.1	bend 90GR, R3/4	316415
4.2	intermediate piece	538124
4.3	screw M3x4	533270
4.4	hub	533211
4.5	guide pin	533122
4.6	basic body	533998
4.7	o-ring	533300
4.8	nut R 1/2"	001260
4.9	gas ball valve	375470
4.10	toothed segment	533173
4.11	Mutter M7	859095
5	outlet piece	502081
5.1	o-ring	533319
5.2	turning sleeve	502138
5.3	screw M 4X6	174084
5.4	brake spring	533203
5.5	outlet piece	502111
5.6	ball button	533254
6	support bushing	534013
7	sliding sleeve	534021
8	screw M 3X8	010383
9	nut M 3	000396
10	retaining ring	502340

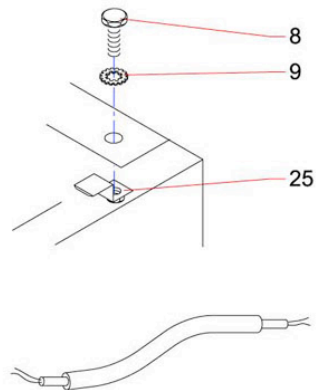
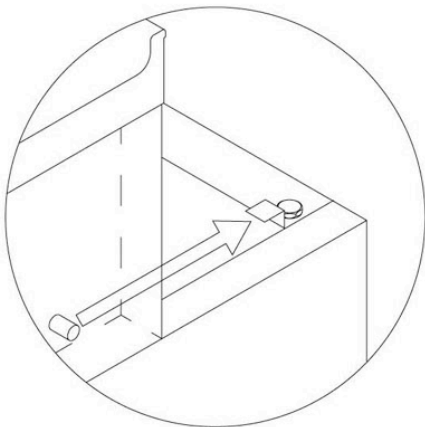
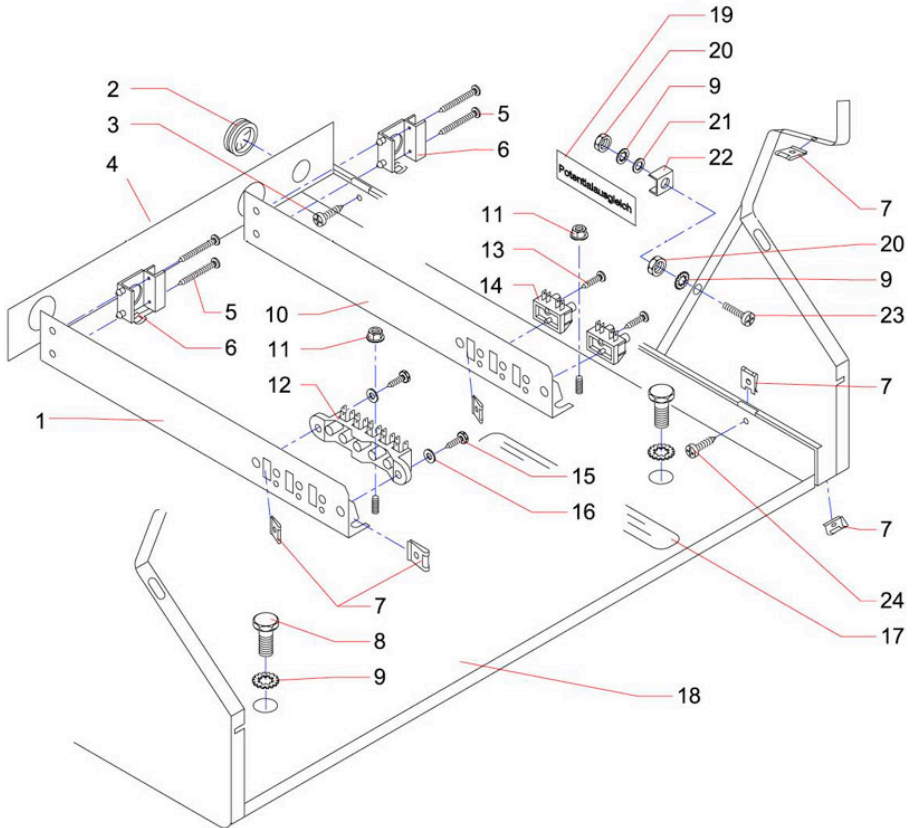
flow to the rear



Pos.	Description	Article
1	front panel cpl.	502022
2	wrench insert	517704
3	bushing fp	539007
4	handle	538981
5	operating ball valve cpl.	517763
6	o-ring	013471
7	retaining ring	055522
8	retaining ring	502340
9	spacer sleeve	517801
10	washer 4,3	026999
11	spring lock washer A4	001023
12	screw M 4X10	068217
13	bottom frontside cpl. 400	517666
14	seal 17X23X1.5	265187
15	connector	517836
16	cap nut	222070
17	draining pipe cpl.	517755
18	screw	640999
19	o-ring	272825
20	connecting ring	517828
21	sealing ring A27x32x2	215740
22	ball tap	728969
23	extension	724785
24	kombi nut w. washer	377740
25	antirotation device	517682
26	drain combination	639095
27	boot	640824
28	catch for drain pipe	517674
29	serrated lock washer A6.4	006777
30	screw M 6X10	251836

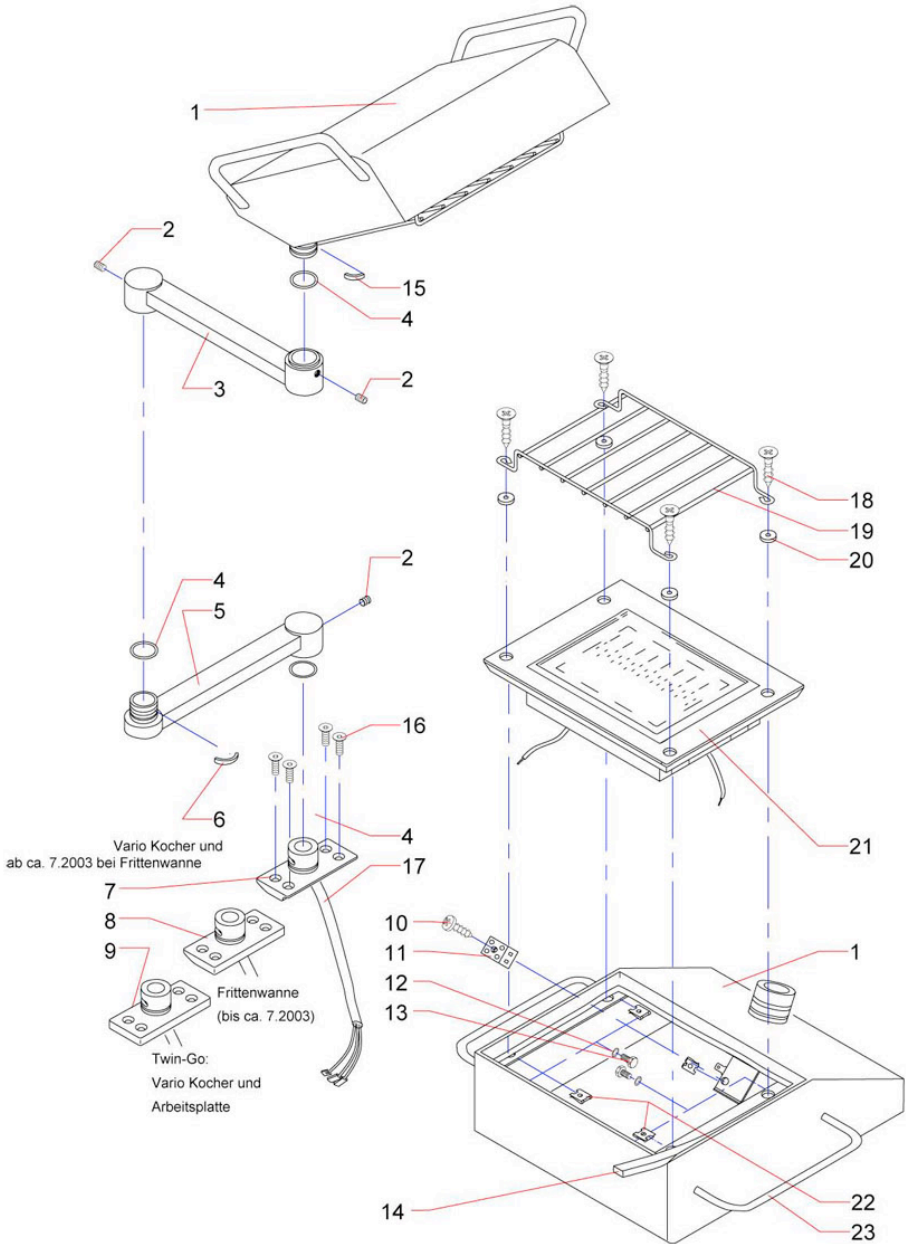


connection unit



Pos.	Description	Article
1	mounting sheet (changed 10.2004)	604674
2	diaphragm bushing	232963
3	screw M 4X12	010537
4	bottom backside 400	502162
5	sheet metal screw	248703
6	clamp	248002
7	snap action nut B3.9	227889
8	screw M 6X16	251194
9	serrated lock washer A6.4	006777
10	mounting sheet	527629
11	kombi nut w. washer	377740
12	mains connecting block, bolt mounting (till appr. 10.2004)	002186
12	mains conneting clamp 400V/40A 5-pole (since appr. 10.2004)	829927
13	sheet metal screw	068209
14	plug in strip	070858
15	sheet metal screw	059803
16	washer 4,3	026999
17	adhesive label	621382
18	bottom frontside cpl.	605905
19	adhesive label	217360
20	nut M 6	251887
21	washer 6,4	004014
22	terminal bracket	223697
23	screw M 6X20	010731
24	sheet metal screw	031720
25	appliance holder	503479
	cable cpl.	189251
	cable cpl.	331384
	cable harness	539724
	cable cpl.	539740
	cable harness	504785
	cable harness	604895
	cable harness	637505
	cable harness	539724
	cable cpl.	637521
	cable cpl.	637513
	wiring diagram	634972

heat emitter (option Vario Cooker)



Pos.	Description	Article
1	outer part	608912
2	threaded pin M 6x6	549312
3	swivel arm	546364
4	o-ring	061255
5	lower swivel arm	609838
6	insert piece 90°	661791
7	base plate	609706
8	base plate	550396
9	base plate	609706
10	sheet metal screw	068209
11	connector	031704
12	toothed washer 5,3	304816
13	screw M 5X10	003743
14	silicone foam profile joint	604151
15	insert piece 135°	661805
16	screw M 5x16	550426
17	connection cable	608998
18	sheet metal screw	022160
19	cover	650307
20	washer 4,3	001007
21	front panel	921661
22	snap action nut B3.9	227889
23	handle	326860
	cable cpl.	320943
	cable cpl.	621714
	cable cpl.	086983
	cable harness	621722