

Ersatzteilkatalog

Spare parts list

PALUX Gläserspülmaschine

GL 325

GL 328

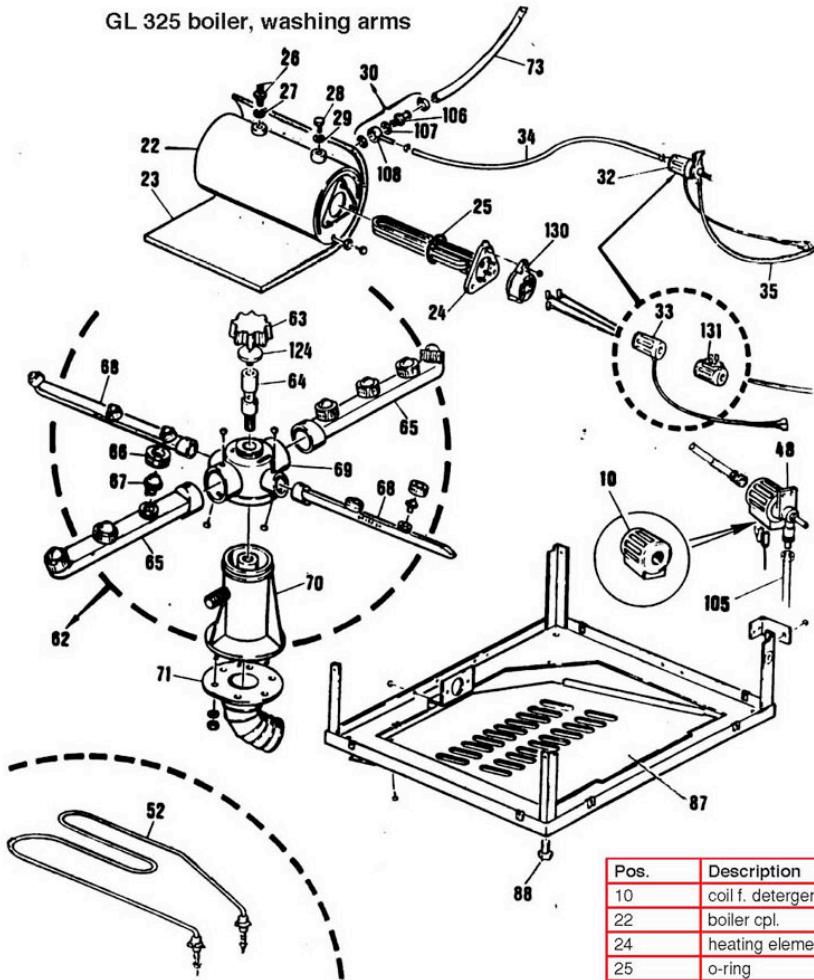
Dieser Ersatzteilkatalog ist gültig

- für Typ 325 ab Baujahr 1986 bis 1990
- für Typ 328 ab Baujahr 1991 bis 1997

Hinweis

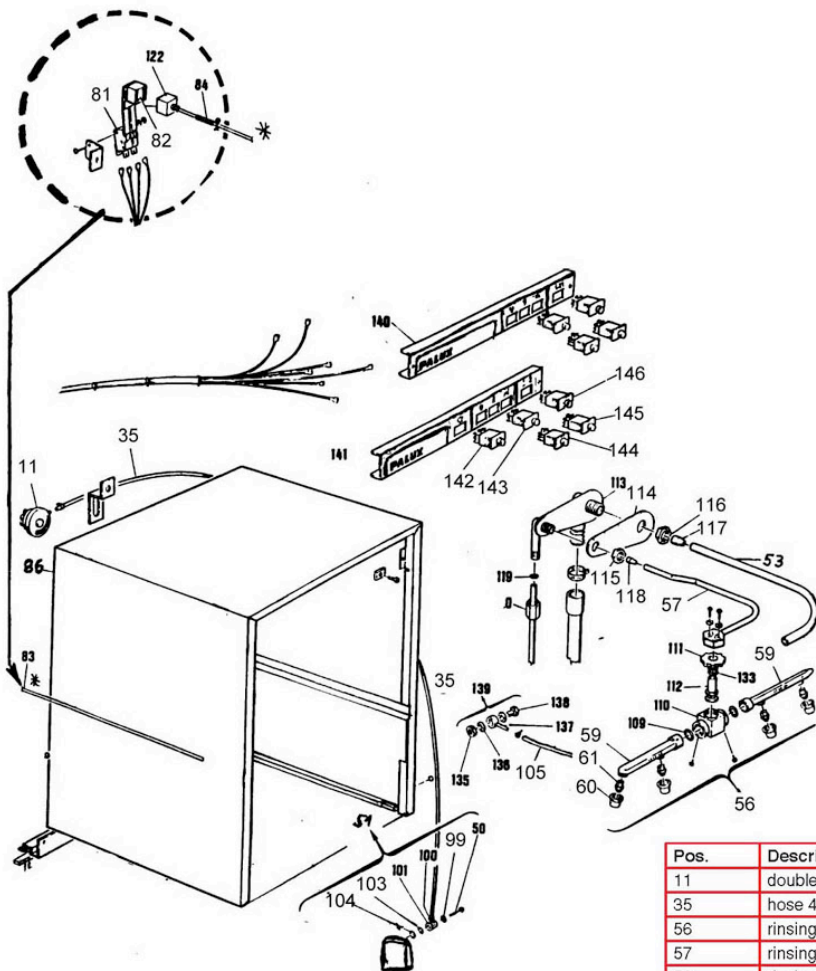
* bedeutet, dieses Teil ist nicht abgebildet!

GL 325 boiler, washing arms



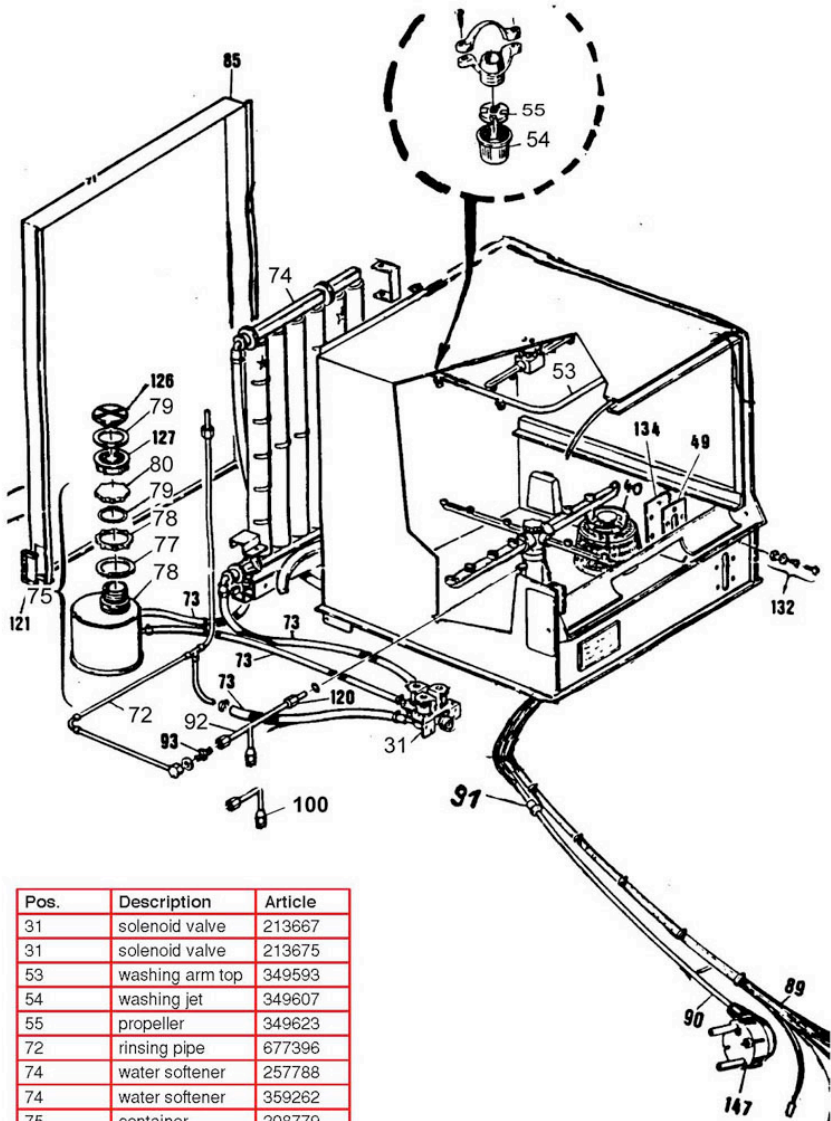
Pos.	Description	Article
10	coil f. detergent metering	349488
22	boiler cpl.	380040
24	heating element 2500W22	349801
25	o-ring	349232
27	seal	349240
29	seal	349259
30	mixer unit	376191
32	metering hopper DB 2 rinse aid	208728
34	hose 5	349224
35	hose 4x7	349216
48	metering hopper DS 5 detergent	349534
52	tank heating element 2000W220V	349577
62	washing- rinsing arm	349585
65	washing arm right	349631
65	washing arm left	349658
66	coupling washing jet	349704
67	washing jet	349712
68	rinsing arm SX left	349690
68	rinsing arm SX left	349690
70	washing arm base	376213
71	pressure hose	349666
88	leg	349364
105	hose 4x7	349321
131	coil f. dosing appl.	359386

GL 325 switch



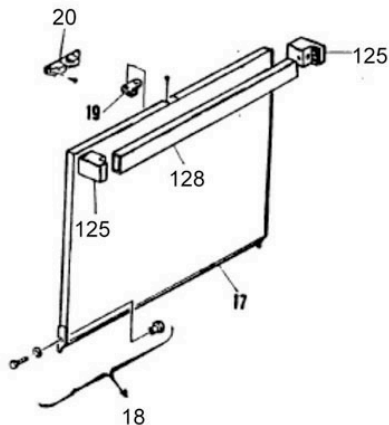
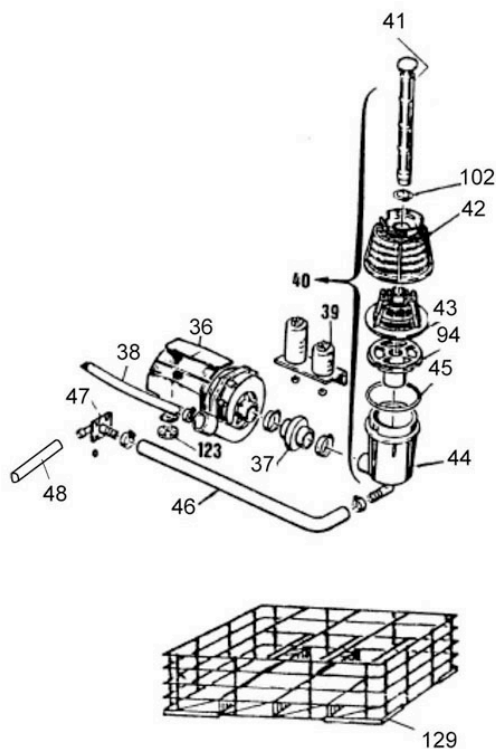
Pos.	Description	Article
11	double niveau switch	349399
35	hose 4x2	129771
56	rinsing arm top	349720
57	rinsing pipe	677418
59	rinsing arm right	349739
59	rinsing arm SX left	349747
60	rinsing nozzle	349763
61	coupling rinsing jet	349755
81	micro switch	378887
82	door safety solenoid	349372
82	micro switch	378887
99	o-ring	013498
103	o-ring	013498
104	o-ring	013498
105	hose 4x7	349321
114	seal	349283
115	upper rinsing pipe support	602566
116	upper rinsing pipe support	602574
117	conical ring D18	359408
118	conical ring D10	359394
142	push button	308064
143	switch	308072
144	push button	308161
145	push button	308161
146	appliance switch	266108

GL 325 solenoid valve, vessel, water softener



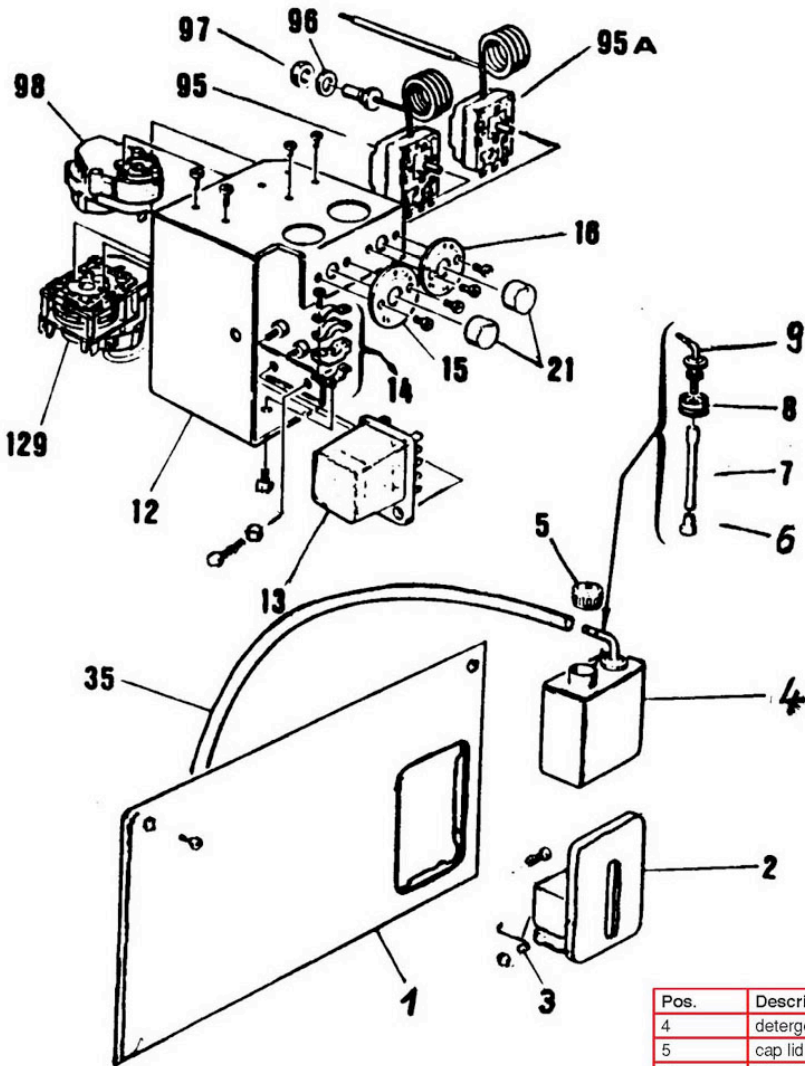
Pos.	Description	Article
31	solenoid valve	213667
31	solenoid valve	213675
53	washing arm top	349593
54	washing jet	349607
55	propeller	349623
72	rinsing pipe	677396
74	water softener	257788
74	water softener	359262
75	container	208779
77	seal D68	208736
78	nut	208744
79	o-ring	208752
80	cap lid	208760
92	coupling	677353
100	angle connection	677329

GL 325 filter, pump



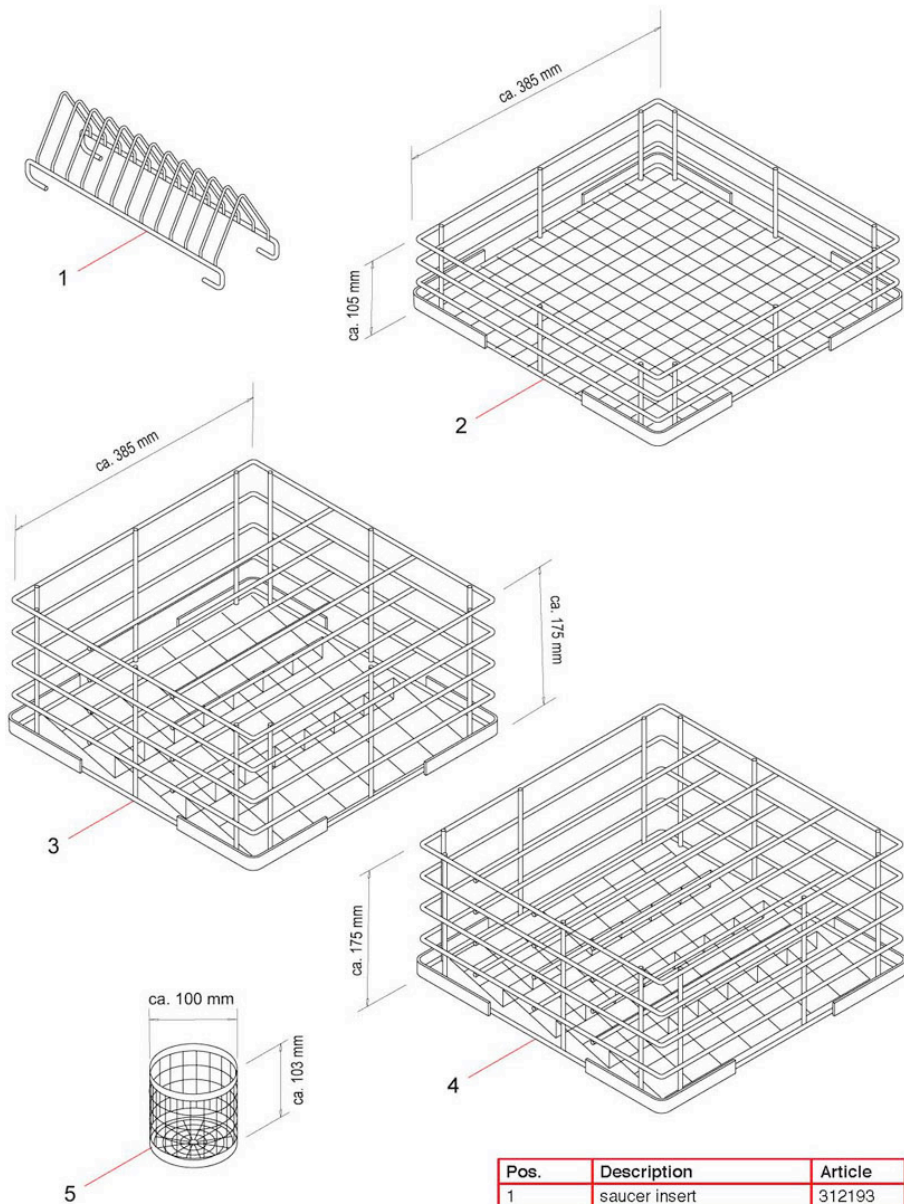
Pos.	Description	Article
18	door hinge	349267
20	door lock	349275
36	circulating pump	359270
36	o-ring	131946
36	capacitor	359319
36	pump impeller	359378
36	friction seal	359416
37	suction hose	349291
38	pressure hose	349518
41	stand pipe	349542
42	pump strainer, outer	349550
43	pump strainer, inner	349569
44	drain suction device	349526
45	o-ring	349828
46	draining hose	349496
47	Anschluss für Wasserabl.	689254
48	Ablaufschlauch GSP 325/328	390852
94	tank filter support	349674
102	o-ring seal	349348
125	spacer	171115
128	handle	308188
129	basket edge	677345

GL 325 programm controller



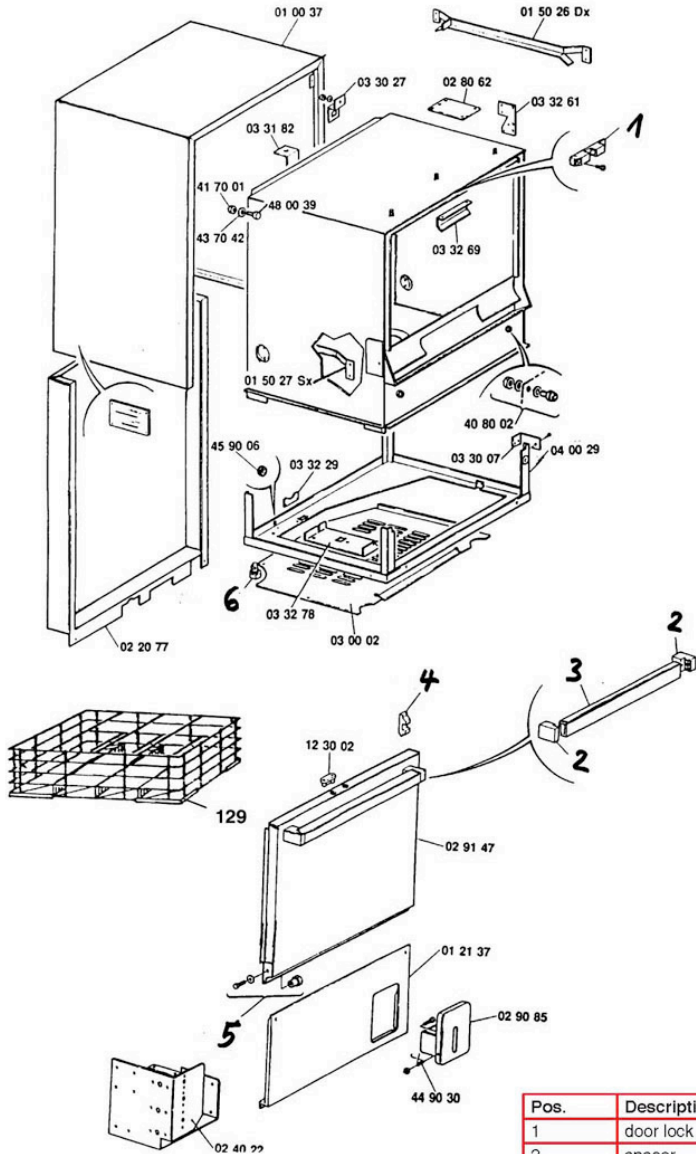
Pos.	Description	Article
4	detergent container	349402
5	cap lid	602558
7	hose 4x7	349216
9	hose connection	349380
13	contactor	359289
35	hose 4x2	129771
95	tank thermostat	349305
95	boiler thermostat	349313
96	seal f. tank therm.	349356
98	program controller	359297
98	program controller	359300
129	program controller	359297
129	program controller	359300

baskets



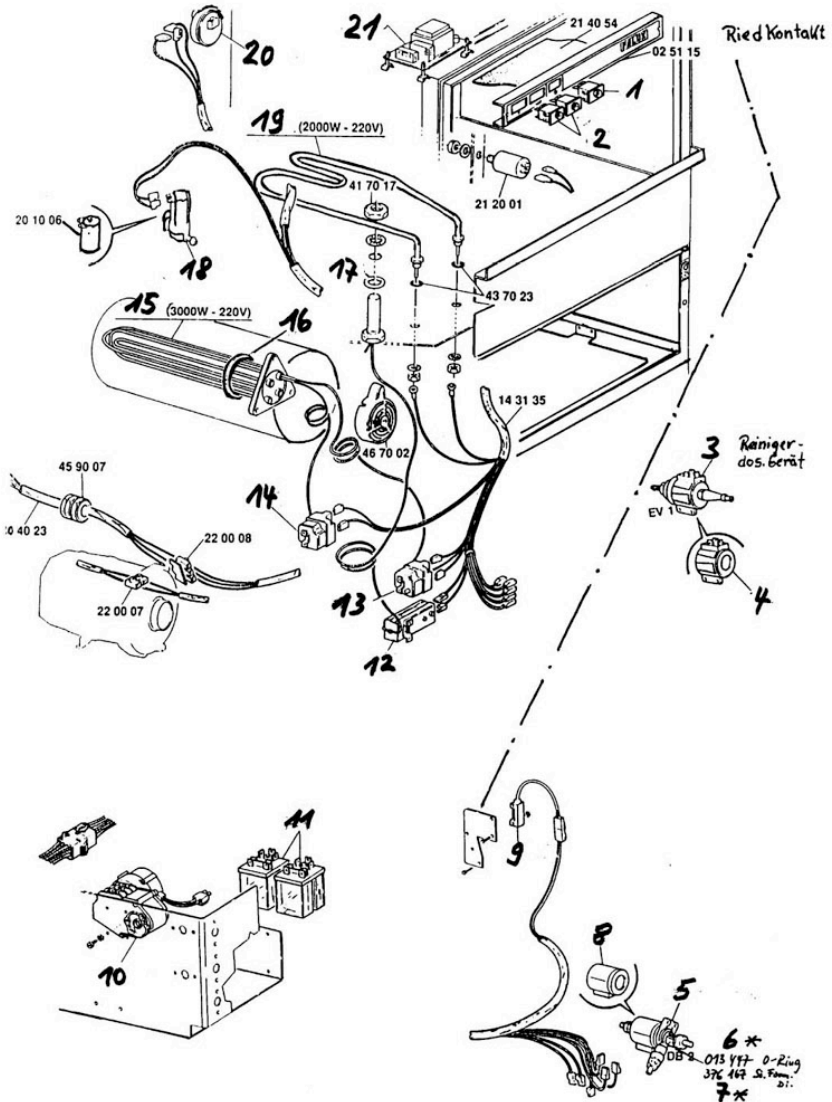
Pos.	Description	Article
1	saucer insert	312193
2	flat glass rack	312169
3	glass rack 3 compartments	319813
4	glass rack 4 compartments	312177
5	spoon container	312185

GL 328 housing



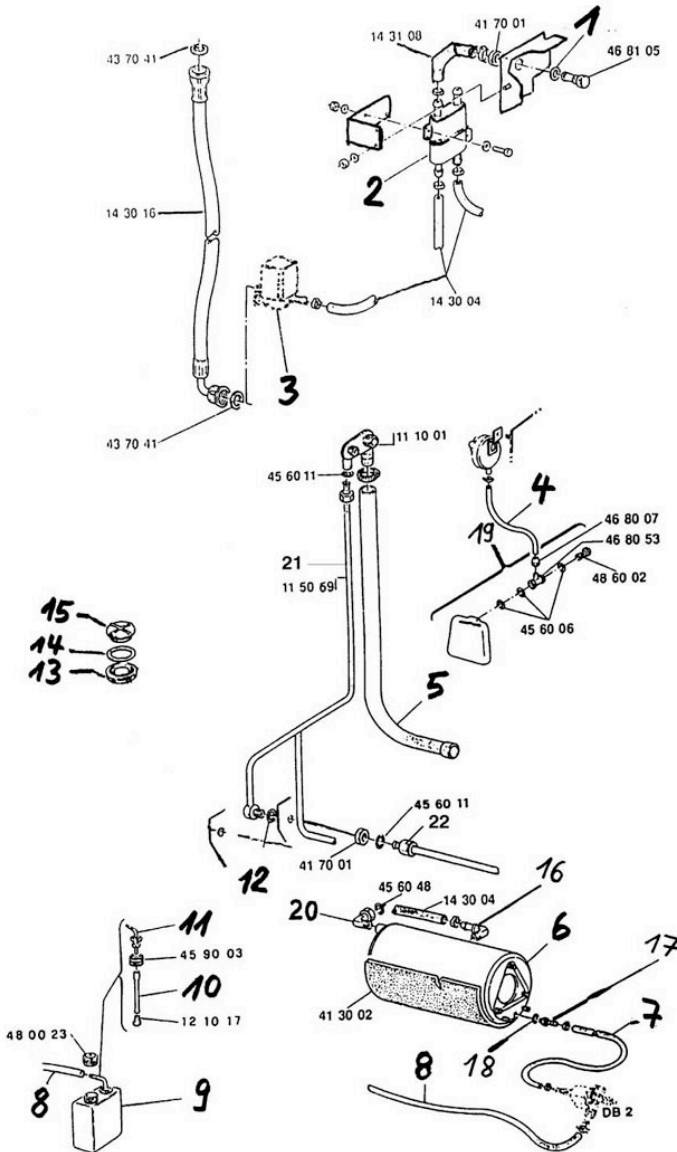
Pos.	Description	Article
1	door lock	349275
2	spacer	171115
3	handle	308188
4	magnet	376086
5	door hinge	349267
6	leg	349364
129	basket edge	677345

GL 328 switch, heating element



Pos.	Description	Article	Historie
1	appliance switch	266108	
2	push button	308161	
3	detergent metering device	376108	
4	coil f. detergent metering	607185	
5	metering hopper DB 2 rinse aid	208728	
6*	o-ring	013447	
7*	silicone shaped seal	376167	
8	coil f. dosing appl.	359386	
10	program controller	388750	
11	contactor	376078	
12	tank thermostat	349305	
13	temperature limiter	376043	
14	thermostat f. boiler	376035	
15	heating element	386839	
16	o-ring	349232	
17	seal f. tank therm.	349356	
18	solenoid valve	376426	
19	tank heating element 2000W220V	349577	
20	double niveau switch	349399	
21	PC-board	376116	BIS BAUJ.1996
21	PC-board	651079	AB BAUJ.96 GER.NR.100.845

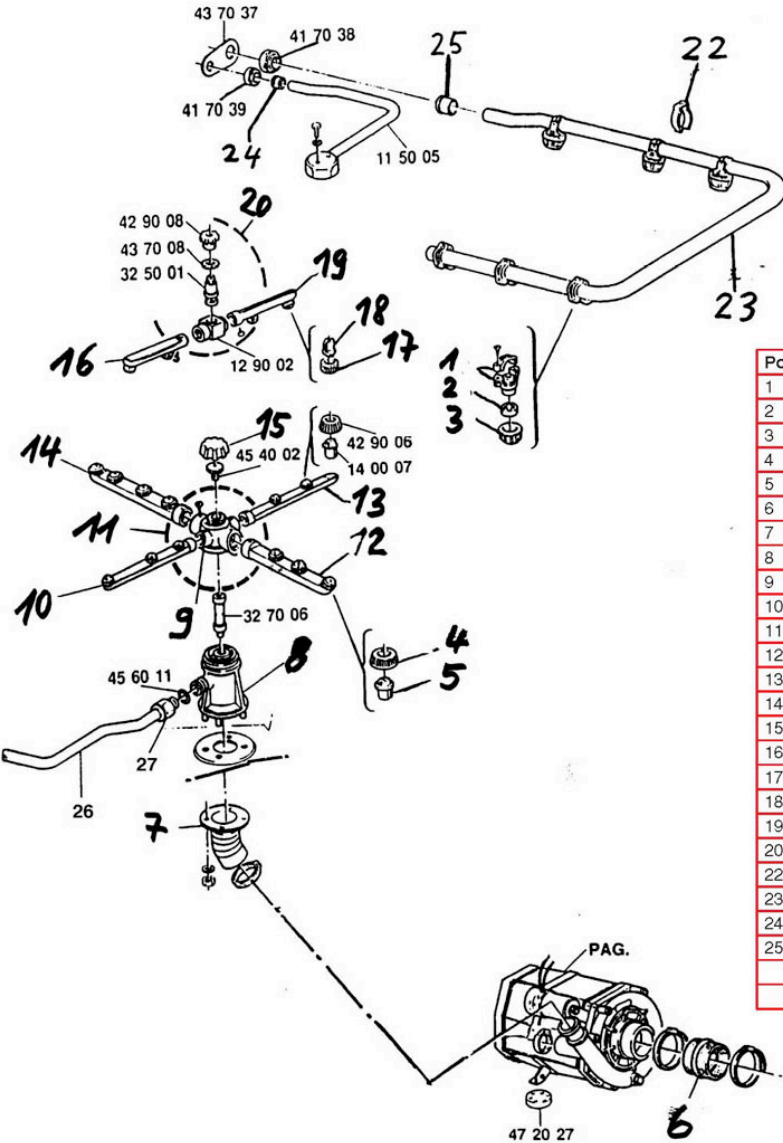
GL 328 boiler, vessel



Pos.	Description	Article
1	seal	349240
2	safety device	376434
3	solenoid valve	376426
4	hose 4x2	129771
6	boiler cpl. VDE	376442
7	hose 5	349224
8	hose 4x2	129771
9	detergent container	349402
10	hose 4x7	349216
11	hose connection	349380
12	seal	349240
13	cap lid	376175
14	seal D68	208736
15	screw plug	376183
16	angle joint	607169
17	hose connector	607150
18	sealing ring	607177
19	air trap	382078
20	angle connection	650072
21	rinsing pipe	677388
22	cap nut	680079

Geändert/Stand: 2.98

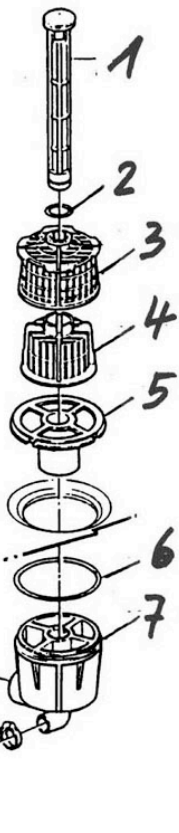
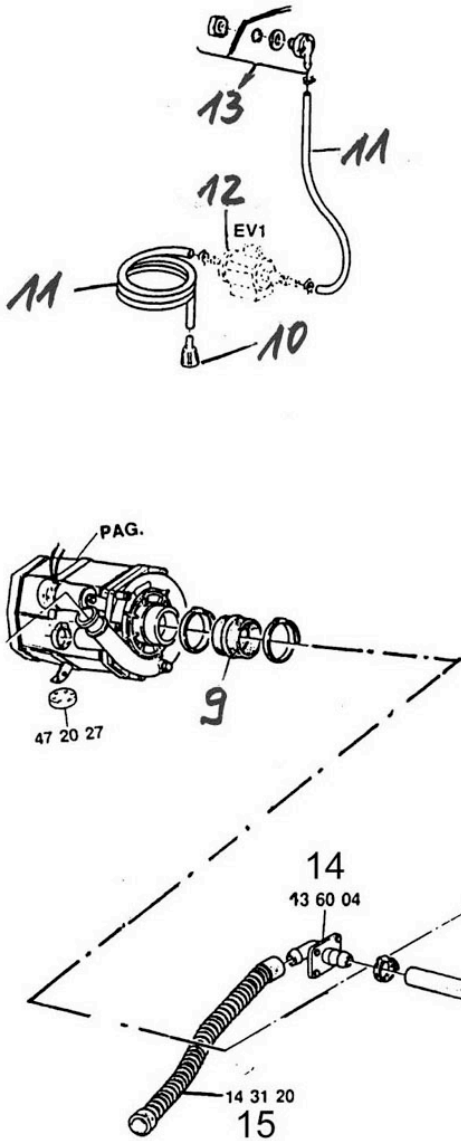
GL 328 washing arms



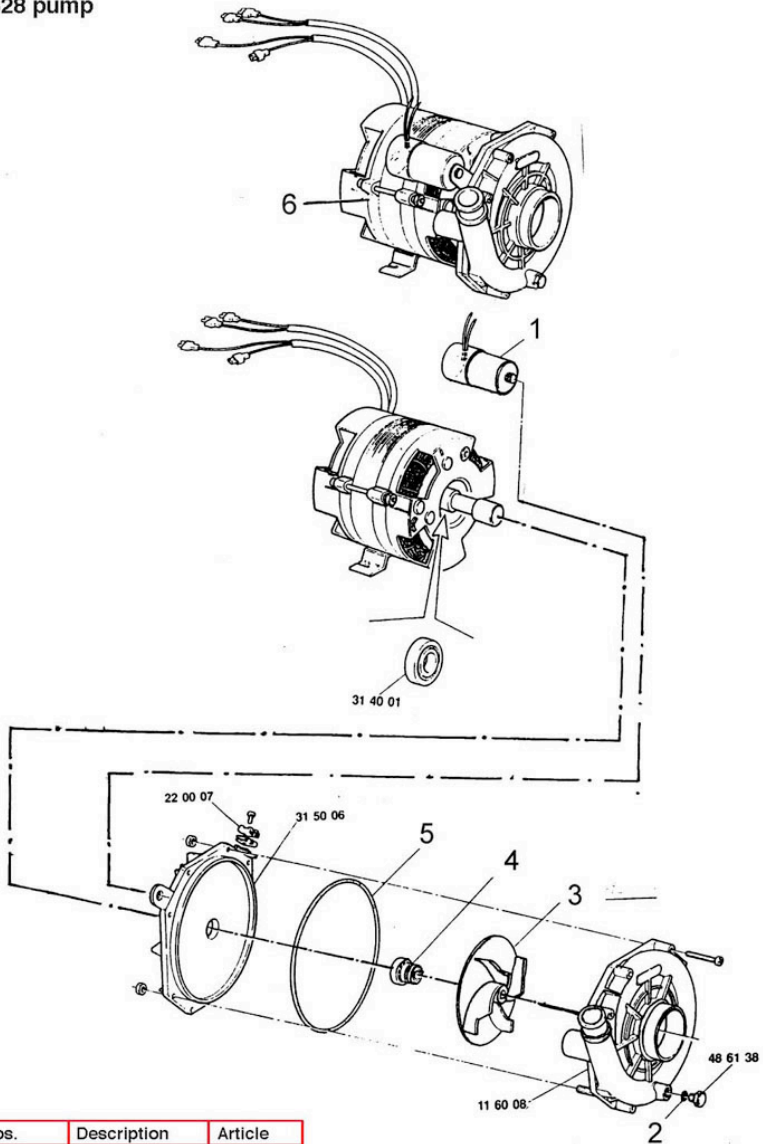
Pos.	Description	Article
1	clip washing nozzle	349615
2	propeller	349623
3	washing jet	349607
4	coupling washing jet	349704
5	washing jet	349712
6	suction hose	349291
7	pressure hose	349666
8	washing arm base	376213
9	distributor cross	380024
10	rinsing arm right	349682
11	washing- rinsing arm	349585
12	washing arm left	349658
13	rinsing arm SX left	349690
14	washing arm right	349631
15	washing arm fastener	376205
16	rinsing arm SX left	349747
17	coupling rinsing jet	349755
18	rinsing nozzle	349763
19	rinsing arm right	349739
20	rinsing arm right	349739
22	spring cleaning arm top	602825
23	washing arm top	602582
24	conical ring D10	359394
25	conical ring D18	359408
	CONNECTION CABLE	677337
	cap nut	677361

GL 328 filter, dosing unit

Pos.	Description	Article
1	stand pipe	349542
2	o-ring seal	349348
3	pump strainer, outer	349550
4	pump strainer, inner	349569
5	tank filter support	349674
6	o-ring	349828
7	drain suction device	349526
8	draining hose	349496
9	suction hose	349291
10	suction strainer	079197
11	hose 4x7	349321
12	detergent metering device	376108
13	injection device	380326
13	assembly set metering nozzle	380326
14	Anschluss für Wasserabl.	689254
15	Ablaufschlauch GSP 325/328	390852



GL 328 pump



Pos.	Description	Article
1	capacitor	359319
2	o-ring	131946
3	pump impeller	359378
4	friction seal	359416
5	o-ring	359424
6	circulating pump	359270