

Ersatzteilkatalog

Spare parts list

PALUX Grill- und Imbissanlagen

Elektroausführung, Katalog 1

Type 600, 601, 602, 603

Type 610, 611, 612, 613



Dieser Ersatzteilkatalog ist gültig

- für Geräte ab Baujahr 1974, 1981, 1984, 1990

Typenübersicht

Fritteusen

600008, 600067, 601004, 601209, 601403, 602000,
602205, 602280, 603007, 603201, 603023

Wurstgrill

610003, 610038

Steakgrill

610305, 610402, 610429

Brater

611018, 611050

Griddle-Brater

611220 (gefertigt bis 2003)

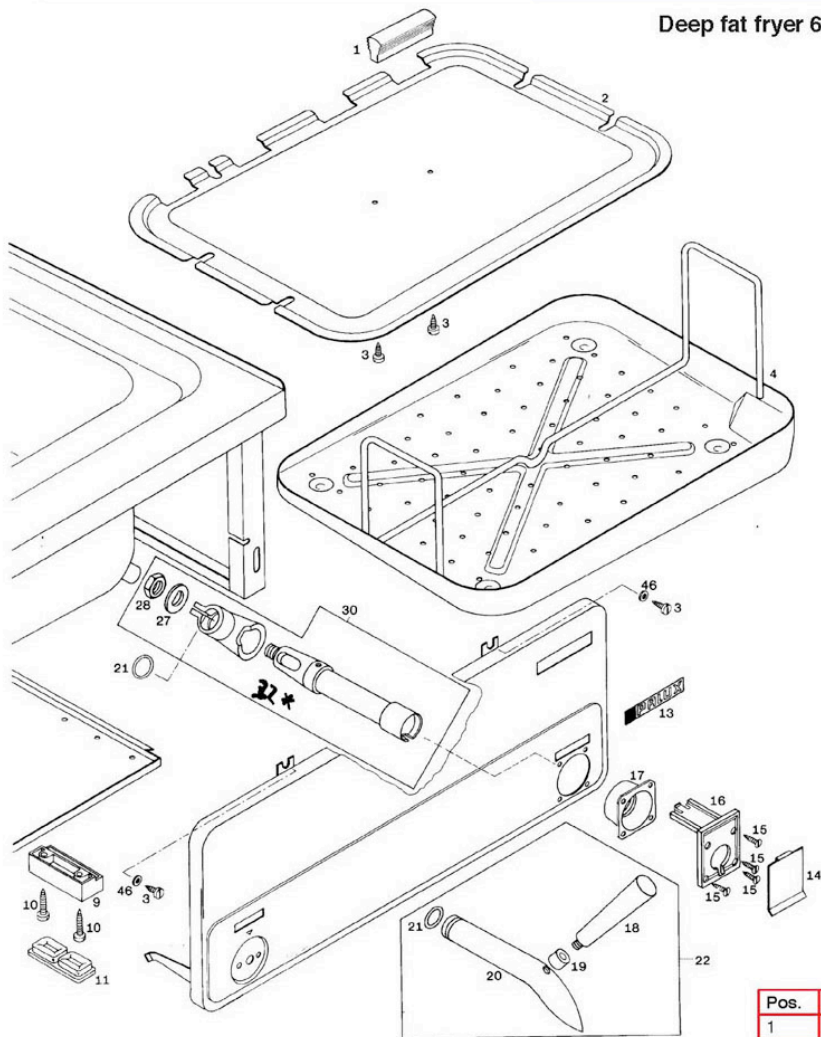
Griddle-Platte

612006, 612057

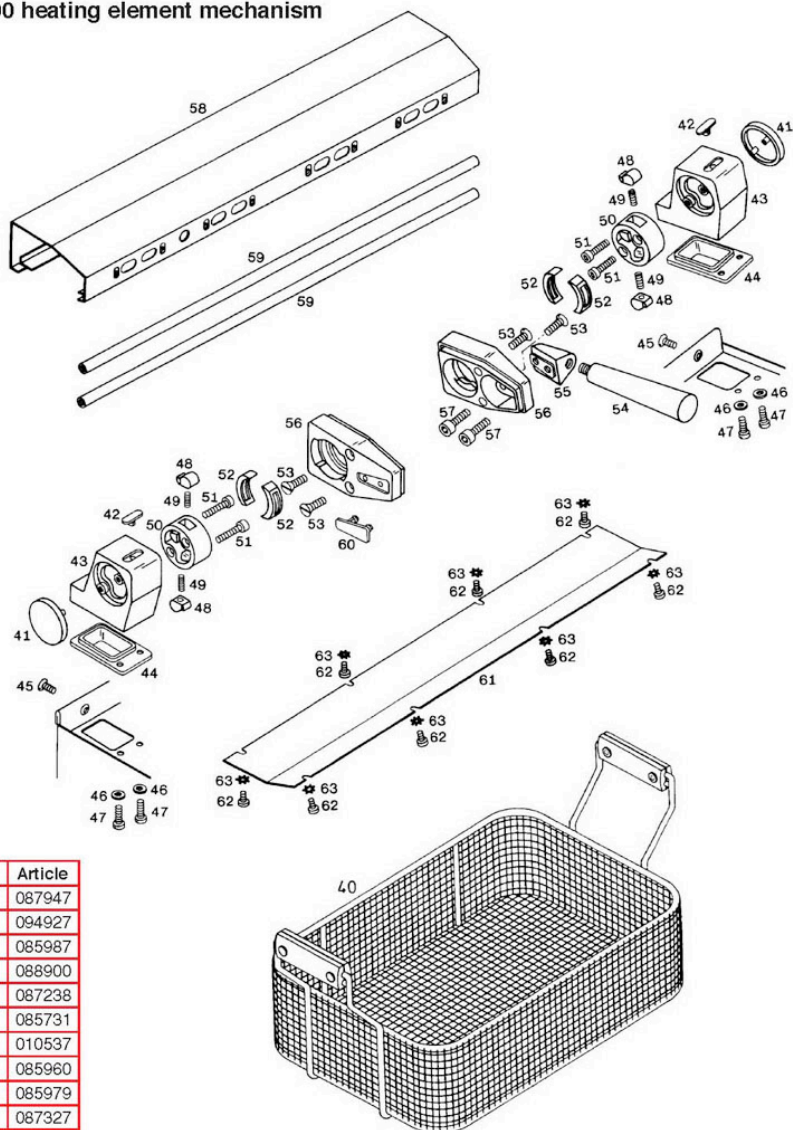
Sudpfanne

613002, 613088

Deep fat fryer 600 basket, cover, drain

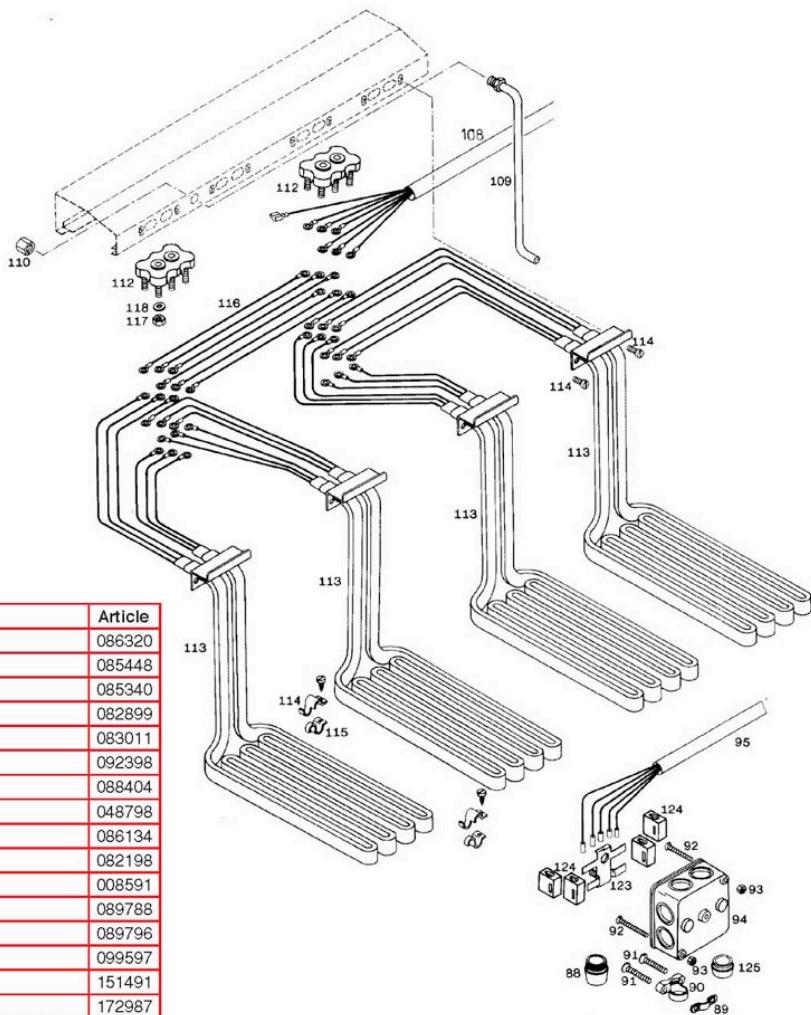


Pos.	Description	Article
1	handle	088358
2	lid	022942
3	sheet metal screw	186465
4	bread crumb sieve	086908
9	leg	080500
11	rubber leg	085227
13	label Palux	095079
14	lid	083186
15	sheet metal screw	011754
16	cover	081493
17	seal	085618
18	cone handle 0220	034665
19	spacer	080454
21	o-ring	080373
27	washer	085359
30	outlet pre ass.	216186
22	outlet pipe pre ass.	080462
32*	o-ring D 25.07X2.62	216151
32*	o-ring	216178

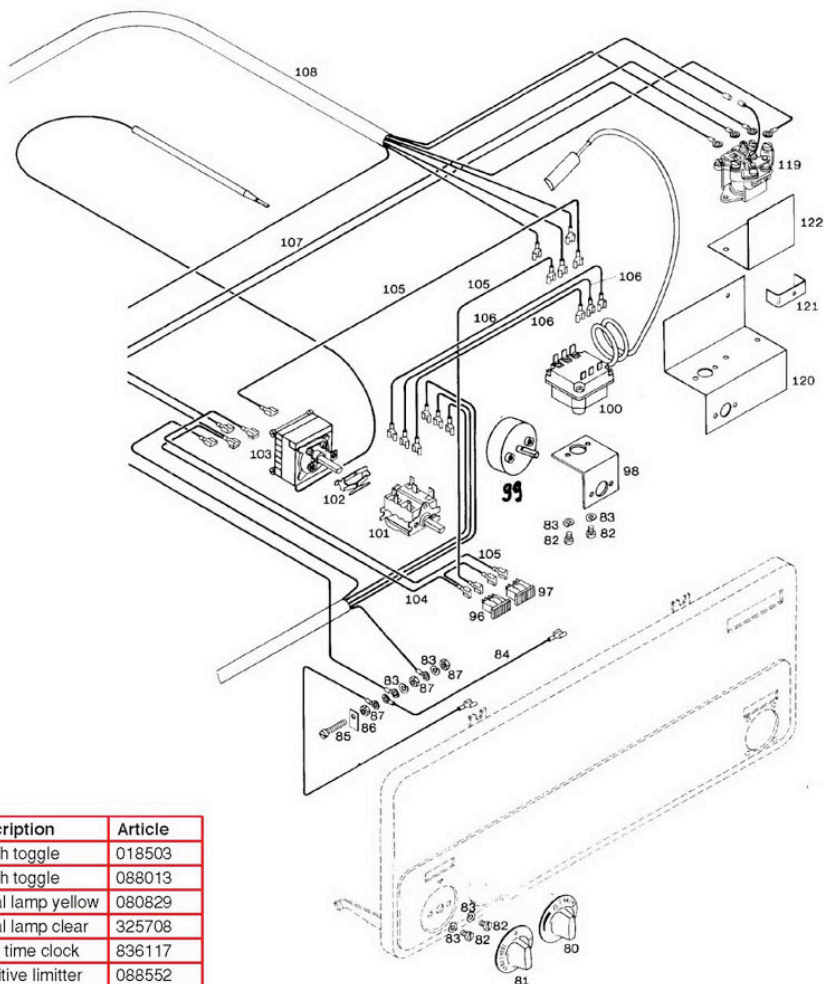
Deep fat fryer 600 heating element mechanism

Pos.	Description	Article
40	basket	087947
40*	cutlet holder 600	094927
41	bearing cover	085987
42	web insert	088900
43	bearing	087238
44	seal	085731
47	screw M 4X12	010537
48	locking bar	085960
49	pressure spring	085979
50	coupling	087327
51	allen head screw M4x20	011339
52	sliding block	086010
54	cone handle 0220	034665
55	handle support	085898
56	bearing shell	093076
58	casing	092649
59	anchor bar	093017
60	arrow insert	088897
61	lid	092754

Deep fat fryer 600 heating element

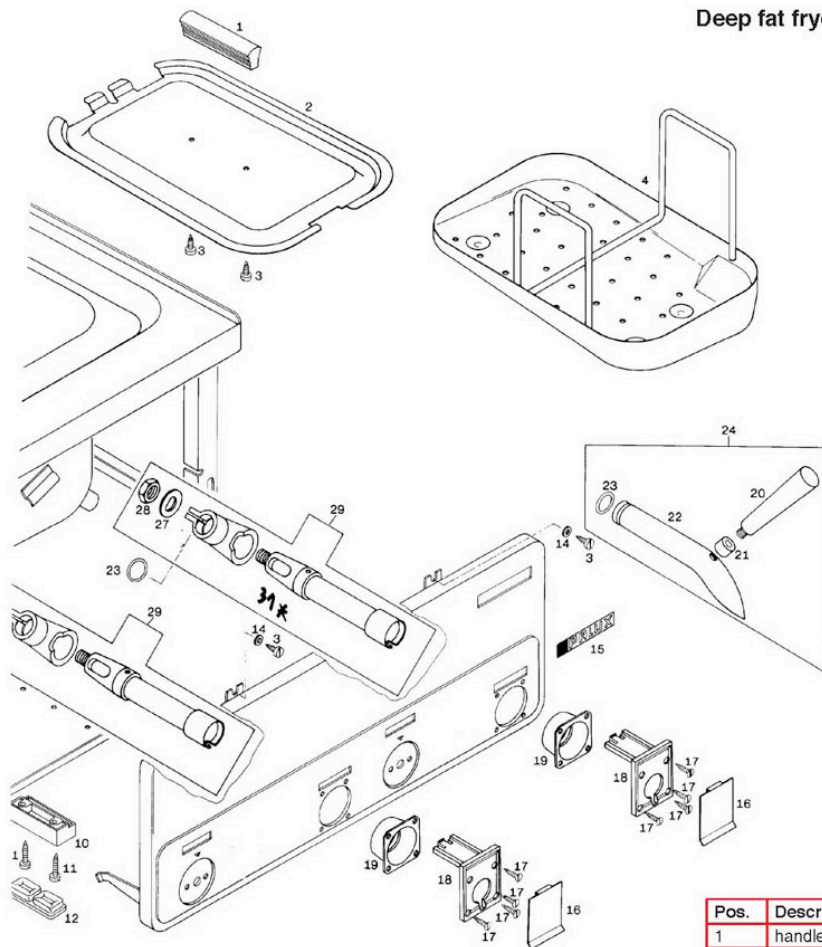


Pos.	Description	Article
88	lead in bush	086320
89	strain relief	085448
90	cable fitting	085340
94	junction box WK007	082899
95	cable harness	083011
108	cable harness	092398
109	cover tube	088404
110	cap nut 16x19	048798
112	terminal board	086134
113	flat heating elements	082198
113	flat heating elements	008591
114	clip f. heating element	089788
115	clip f. heating element	089796
123	support	099597
124	connector	151491
125	plug	172987
126*	BASISSCHALTER VDE, NEMKO UMBBAUSATZ SICHERHEIT	
126*	Mikro-Schalter 20(4)A 250VAC	
127*	base f. switch	288950
128*	spacer	083437
129*	elbow support	395609
130*	cable harness	395617
131*	screw M 4X16 DIN 84	037311
132*	nut M 4	003905
133*	screw M 3X20	010464
134*	screw M 3X40	055719
135*	coupling	087327

Deep fat fryer 600 thermostat

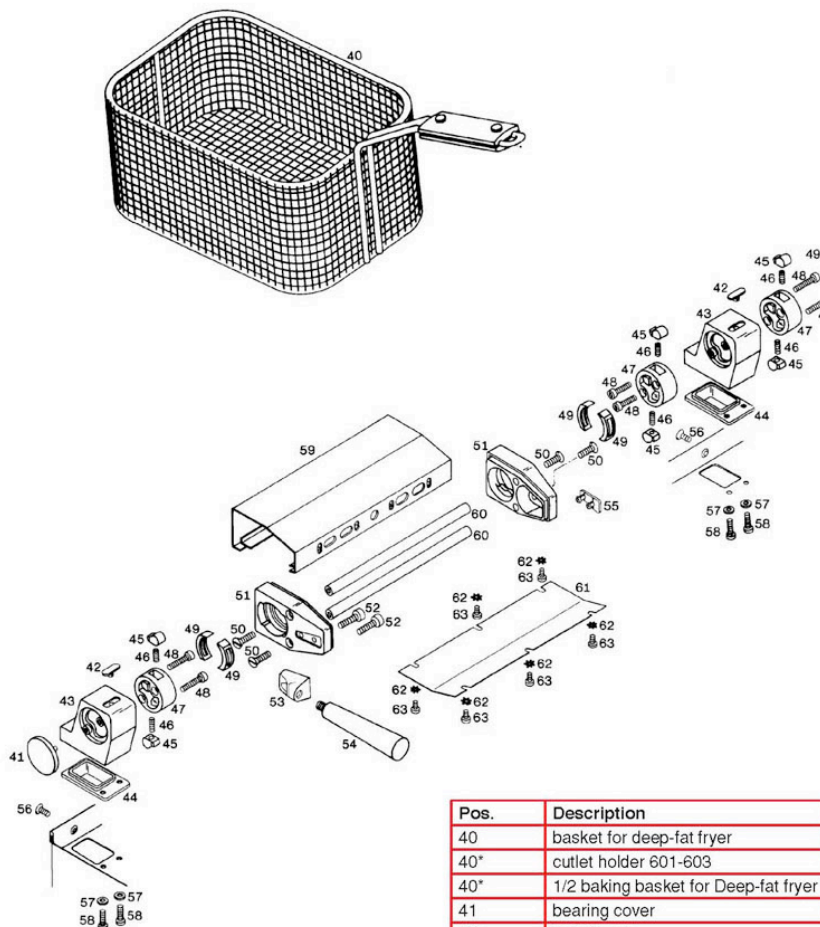
Pos.	Description	Article
80	switch toggle	018503
81	switch toggle	088013
96	signal lamp yellow	080829
97	signal lamp clear	325708
99	short time clock	836117
100	capacitive limiter	088552
101	switch 3-pole 25A	010162
102	connecting bow	086223
103	thermostat 95-185	178144
108	cable harness	092398
119	contactor	092479
120	elbow support	092142
121	supporting angle	092150
122	insulation	092452

Deep fat fryer 601 cover, drain



Pos.	Description	Article
1	handle	088358
2	lid f. 603	022926
3	sheet metal screw	186465
4	bread crumb sieve	086770
8	reinforcement plate	094404
9	bottom plate	085456
10	leg	080500
12	rubber leg	085227
15	label Palux	095079
16	lid	083186
17	sheet metal screw	011754
18	cover	081493
19	seal	085618
20	cone handle 0220	034665
21	spacer	080454
22	outlet pipe pre ass.	080489
23	o-ring	080373
24	outlet pipe pre ass.	080462
29	outlet pre ass.	216186
31*	o- ring D 25.07X2.62	216151
31*	o-ring	216178

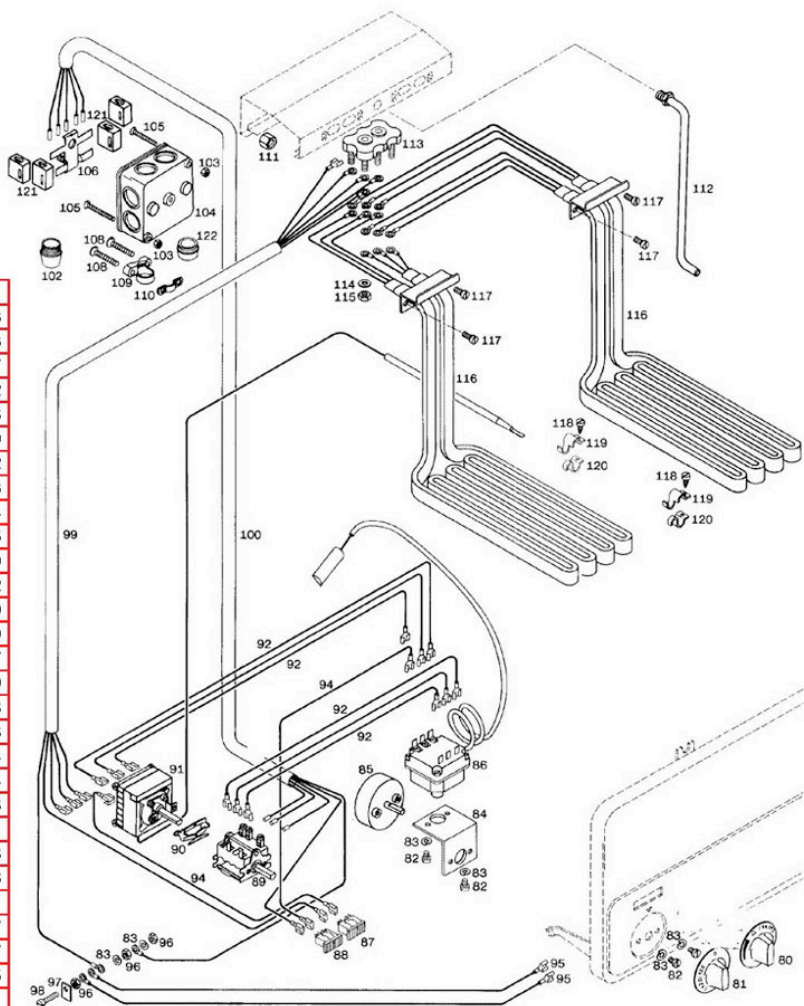
Deep fat fryer 601 heating element mechanism, basket

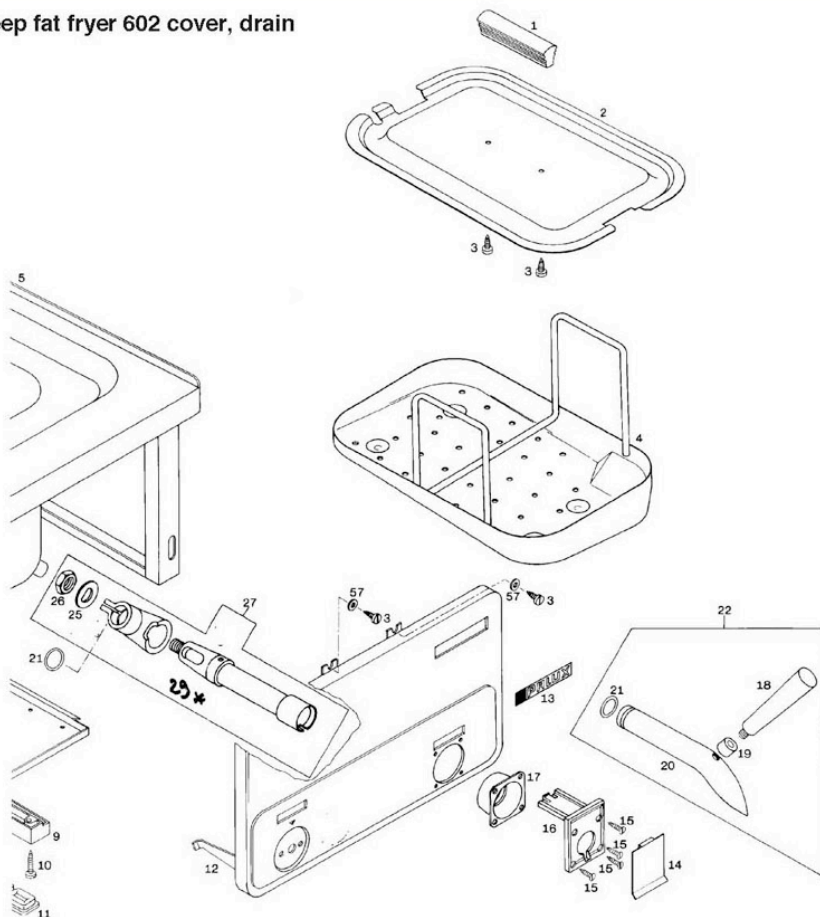


Pos.	Description	Article
40	basket for deep-fat fryer	082287
40*	outlet holder 601-603	093599
40*	1/2 baking basket for Deep-fat fryer	146080
41	bearing cover	085987
42	web insert	088900
43	bearing	087238
44	seal	085731
45	locking bar	085960
46	pressure spring	085979
47	coupling	087327
48	allen head screw M4x20	011339
49	sliding block	086010
51	bearing shell	093076
53	handle support	085898
54	cone handle 0220	034665
55	arrow insert	088897
59	casing	088609
61	lid	092851
60	anchor bar	093017

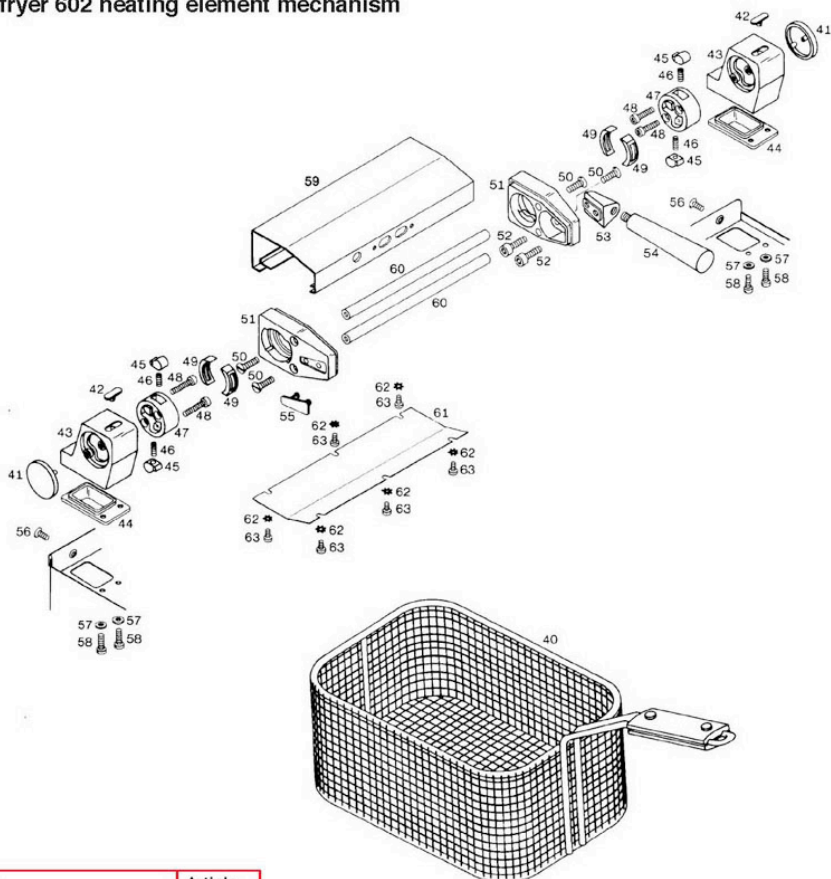
Deep fat fryer 601 heating element, thermostat

Pos.	Description	Article
80	switch toggle	018503
81	switch toggle	088013
85	short time clock	836117
86	capacitive limiter	088552
87	signal lamp clear	325708
88	signal lamp yellow	080829
89	rotary selection switch	086312
90	connecting bow	086223
91	thermostat 95-185	178144
99	cable harness	095125
100	cable harness	083429
101	cable harness	083682
102	lead in bush	086320
104	junction box WK007	082899
106	support	099597
109	cable fitting	085340
110	strain relief	085448
111	cap nut 16x19	048798
112	cover tube	088404
113	terminal board	086134
116	flat heating elements	082198
116	flat heating elements	008591
119	clip f. heating element	089788
120	clip f. heating element	089796
121	connector	151491
122	plug	172987
123*	coupling	087327
124*	nut M 4	003905
125*	screw M 4X16 DIN 84	037311
126*	screw M 3X40	055719
127*	base f. switch	288950
128*	elbow support	396907
129*	BASISSCHALTER VDE, NEMKO UMBAUSATZ SICHERHEIT	
129*	micro switch	680907
130*	washer 3.2	000965
131*	nut M 3	000396
132*	support	396923
133*	angle	396915
134*	screw M 4X6	174084
135*	cable cpl.	397628



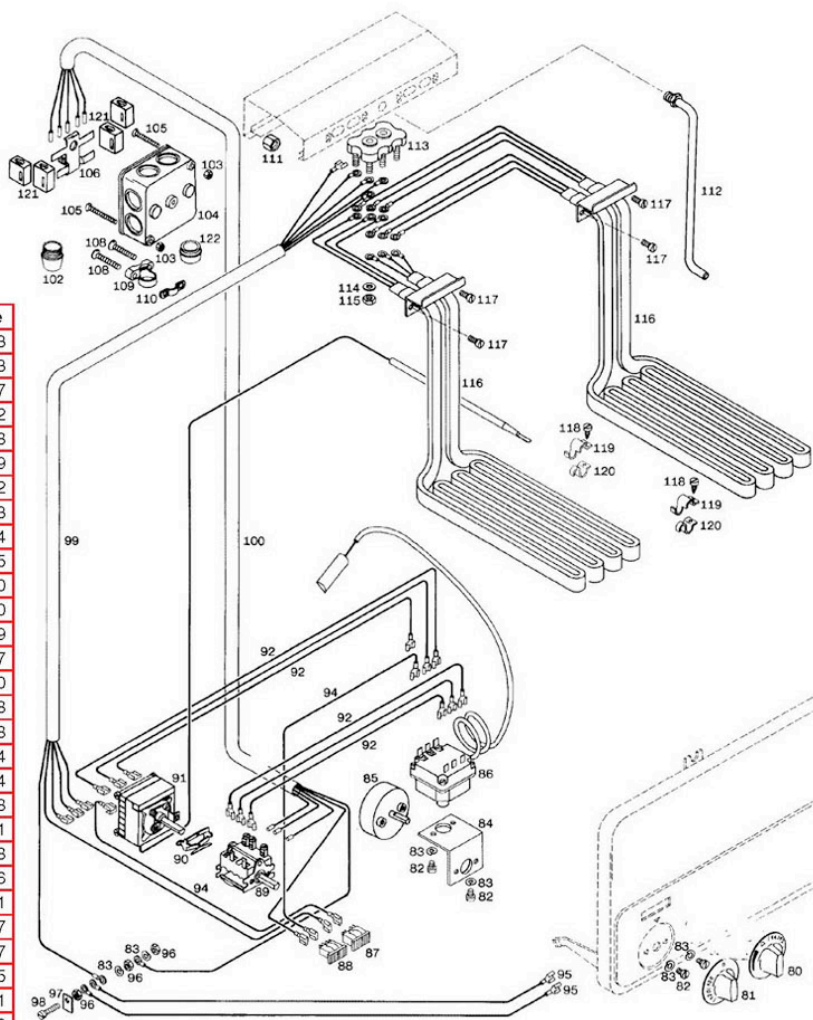
Deep fat fryer 602 cover, drain

Pos.	Description	Article
1	handle	088358
2	lid f. 603	022926
3	sheet metal screw	186465
4	bread crumb sieve	086770
9	leg	080500
11	rubber leg	085227
13	label Palux	095079
14	lid	083186
15	sheet metal screw	011754
16	cover	081493
17	seal	085618
18	cone handle 0220	034665
19	spacer	080454
20	outlet pipe pre ass.	080489
21	o-ring	080373
22	outlet pipe pre ass.	080462
27	outlet pre ass.	216186
29*	o- ring D 25.07X2.62	216151
29**	o-ring	216178

Deep fat fryer 602 heating element mechanism

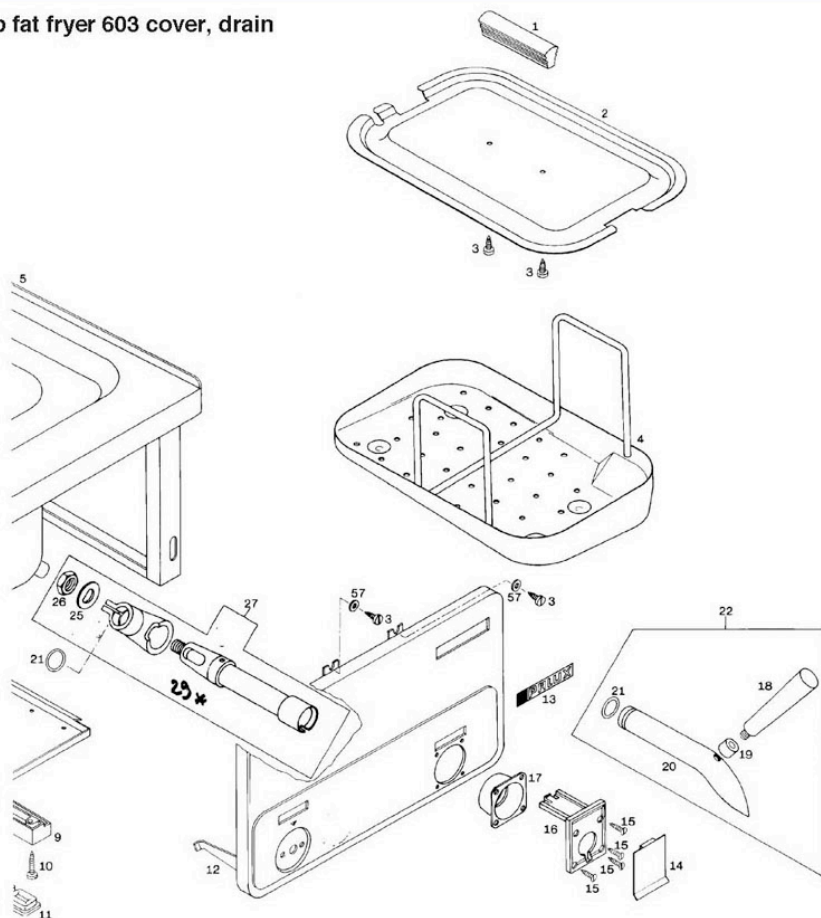
Pos.	Description	Article
40	basket for deep-fat fryer	082287
40*	cutlet holder 601-603	093599
40**	1/2 baking basket for Deep-fat fryer	146080
41	bearing cover	085987
42	web insert	088900
43	bearing	087238
44	seal	085731
45	locking bar	085960
46	pressure spring	085979
47	coupling	087327
49	sliding block	086010
51	bearing shell	093076
53	handle support	085898
54	cone handle 0220	034665
55	arrow insert	088897
59	casing	088609
60	anchor bar	093017
61	lid	092851

Deep fat fryer 602 Heizkörper, Thermostat

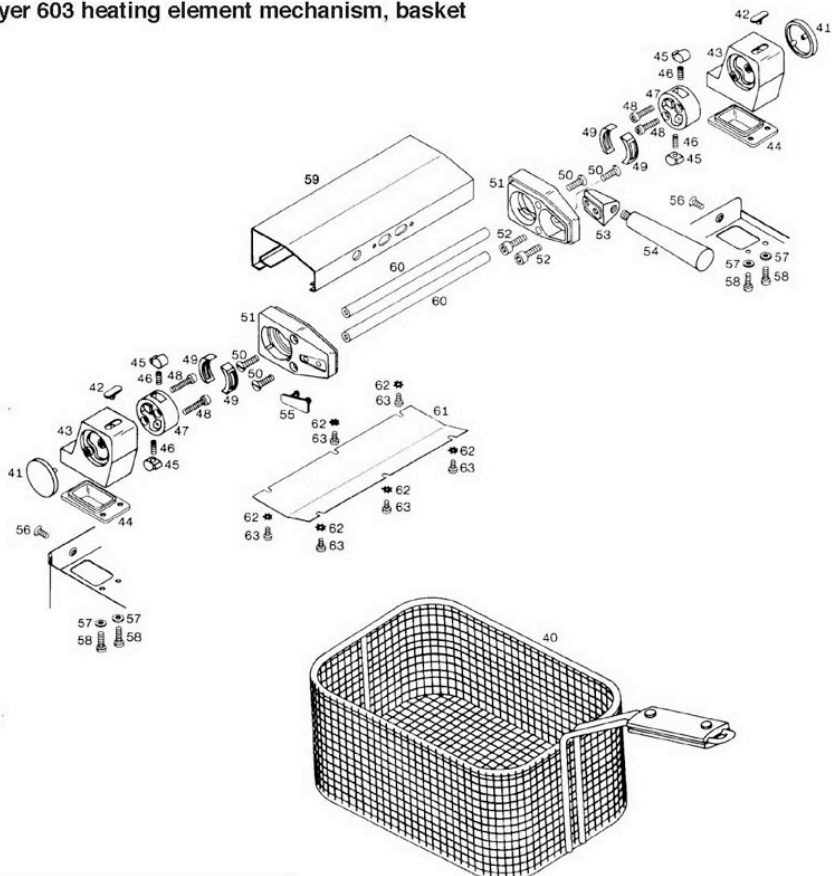


Pos.	Description	Article
80	switch toggle	018503
81	switch toggle	088013
85	short time clock	836117
86	capcitive limitter	088552
87	signal lamp clear	325708
88	signal lamp yellow	080829
89	rotary selection switch	086312
90	connecting bow	086223
91	thermostat 95-185	178144
99	cable harness	095125
100	cable harness	082740
102	lead in bush	086320
104	junction box WK007	082899
106	support	099597
109	cable fitting	085340
110	strain relief	085448
111	cap nut 16x19	048798
112	cover tube	088404
113	terminal board	086134
116	flat heating elements	082198
116	flat heating elements	008591
119	clip f. heating element	089788
120	clip f. heating element	089796
121	connector	151491
122	plug	172987
123*	coupling	087327
124*	nut M 4	003905
125*	screw M 4X16 DIN 84	037311
126*	screw M 3X40	055719
127*	base f. switch	288950
128*	elbow support	396907
129*	BASISSCHALTER VDE, NEMKO UMBBAUSATZ SICHERHEIT	
129*	micro switch	680907
130*	washer 3,2	000965
131*	nut M 3	000396
132*	support	396923
133*	angle	396915
134*	screw M 4X6	174084
135*	cable cpl.	397628

Deep fat fryer 603 cover, drain

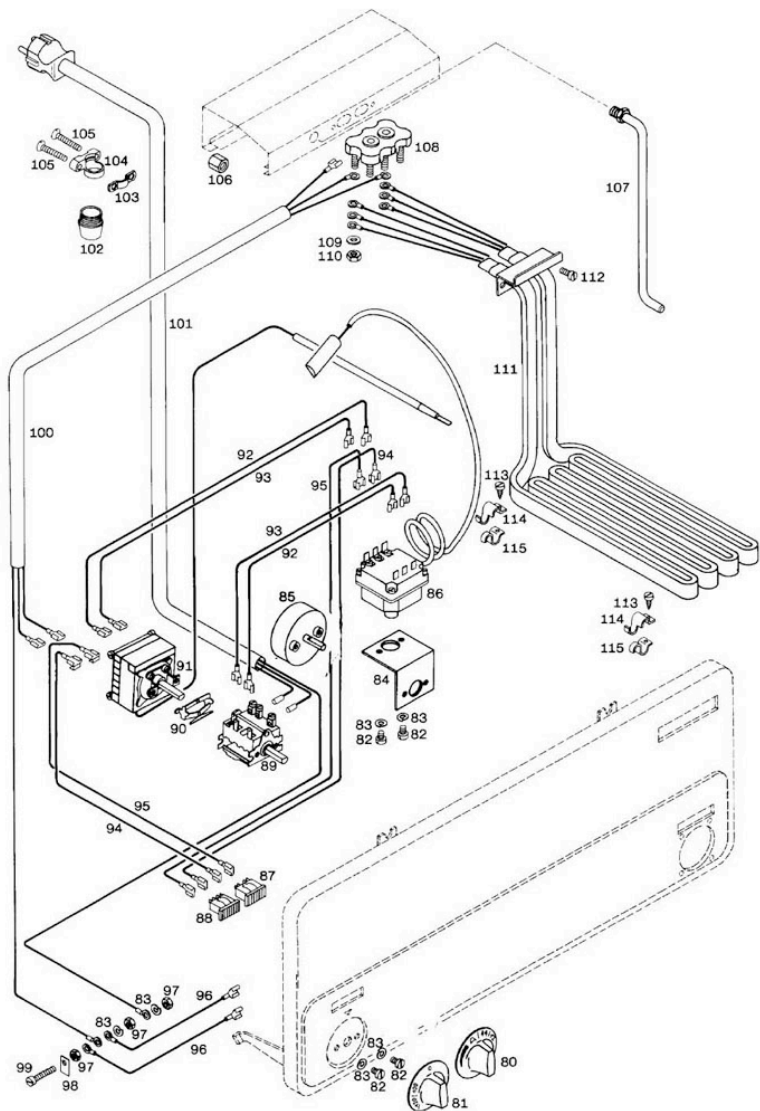


Pos.	Description	Article
1	handle	088358
2	lid f. 603	022926
3	sheet metal screw	186465
4	bread crumb sieve	086770
9	leg	080500
11	rubber leg	085227
13	label Palux	095079
14	lid	083186
15	sheet metal screw	011754
16	cover	081493
17	seal	085618
18	cone handle 0220	034665
19	spacer	080454
20	outlet pipe pre ass.	080489
21	o-ring	080373
22	outlet pipe pre ass.	080462
27	outlet pre ass.	216186
29*	o-ring D 25.07X2.62	216151
29**	o-ring	216178

Deep fat fryer 603 heating element mechanism, basket

Pos.	Description	Article
40	basket for deep-fat fryer	082287
40*	cutlet holder 601-603	093599
40*	1/2 baking basket for Deep-fat fryer	146080
41	bearing cover	085987
42	web insert	088900
43	bearing	087238
44	seal	085731
45	locking bar	085960
46	pressure spring	085979
47	coupling	087327
49	sliding block	086010
51	bearing shell	093076
53	handle support	085898
54	cone handle 0220	034665
55	arrow insert	088897
59	casing	092878
60	anchor bar	093017
61	lid	092851

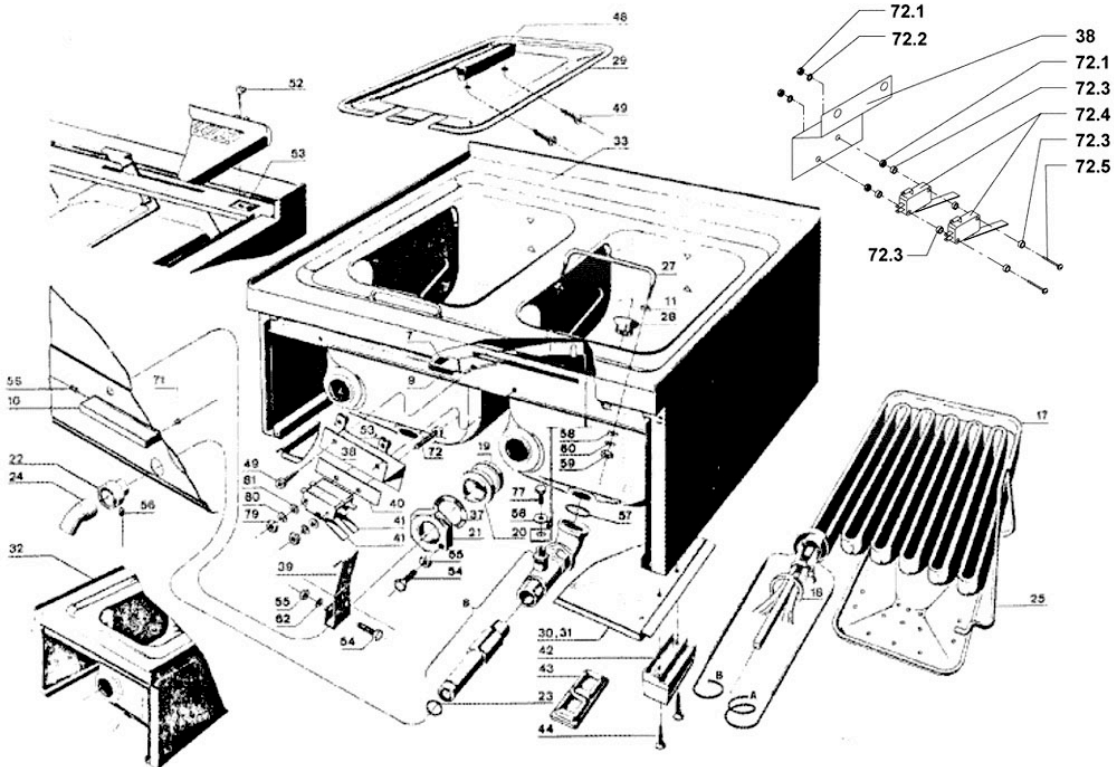
Deep fat fryer 603 heating element, thermostat



Pos.	Description	Article
80	switch toggle	018503
81	switch toggle	088013
85	short time clock	836117
86	capacitive limiter	088552
87	signal lamp clear	325708
88	signal lamp yellow	080829
89	rotary selection switch	086312
90	connecting bow	086223
91	thermostat 95-185	178144
100	cabale harness	093890
102	lead in bush	086320
103	strain relief	085448
104	cabale fitting	085340
106	cap nut 16x19	048798
107	cover tube	088404
108	terminal board	086134
111	flat heating elements	082198
111	flat heating elements	008591
114	clip f. heating element	089788
115	clip f. heating element	089796
116*	coupling	087327
117*	nut M 4	003905
118*	screw M 4X16 DIN 84	037311
119*	screw M 3X40	055719
120*	base f. switch	288950
121*	elbow support	396907
122*	BASISSCHALTER VDE, NEMKO UMBAUSATZ SICHERHEIT	
122*	micro switch	680907
123*	nut M 3	000396
124*	support	396923
125*	angle	396915
126*	screw M 4X6	174084
127*	cabale cpl.	397628

Deep fat fryer 601, 602 drain, heating element, basket

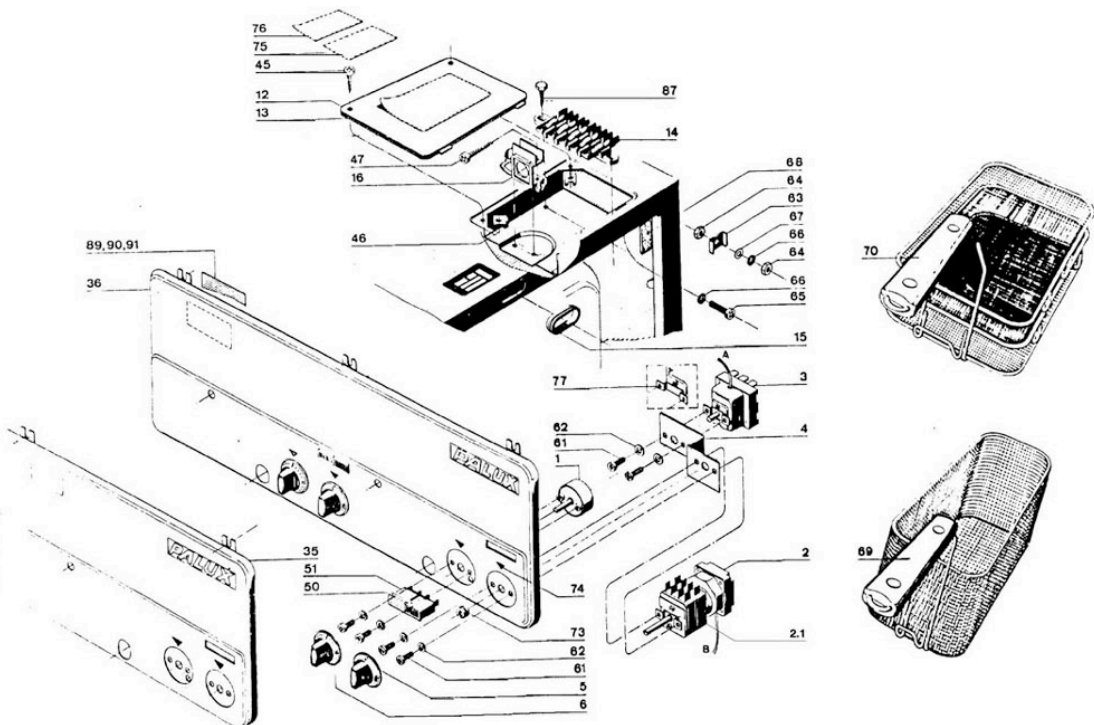
Baugruppe Mikroschalter ab 1998



Pos.	Description	Article
8	ball tap	056189
8.1	ball tap	728969
8.2	adapter	504513
9	bow	064793
10	handle enamelled	065307
11	threaded disc	125954
17	heating element for deep-fat fryer	100056
17	heating element 6 kW	257001
17	heating element 8kW	602051
18	sealing ring	261033
19	sealing ring	262153
20	retaining ring deep fat fryer	262161
21	clamping nut M 36X1,5	264849
22	bushing for drain	862592
23	o-ring	272817
24*	outlet pre ass.	010693
24*	nut M 6	251887
25	bread crumb sieve	270679
27	insertable bow	271640
28	screw	640999

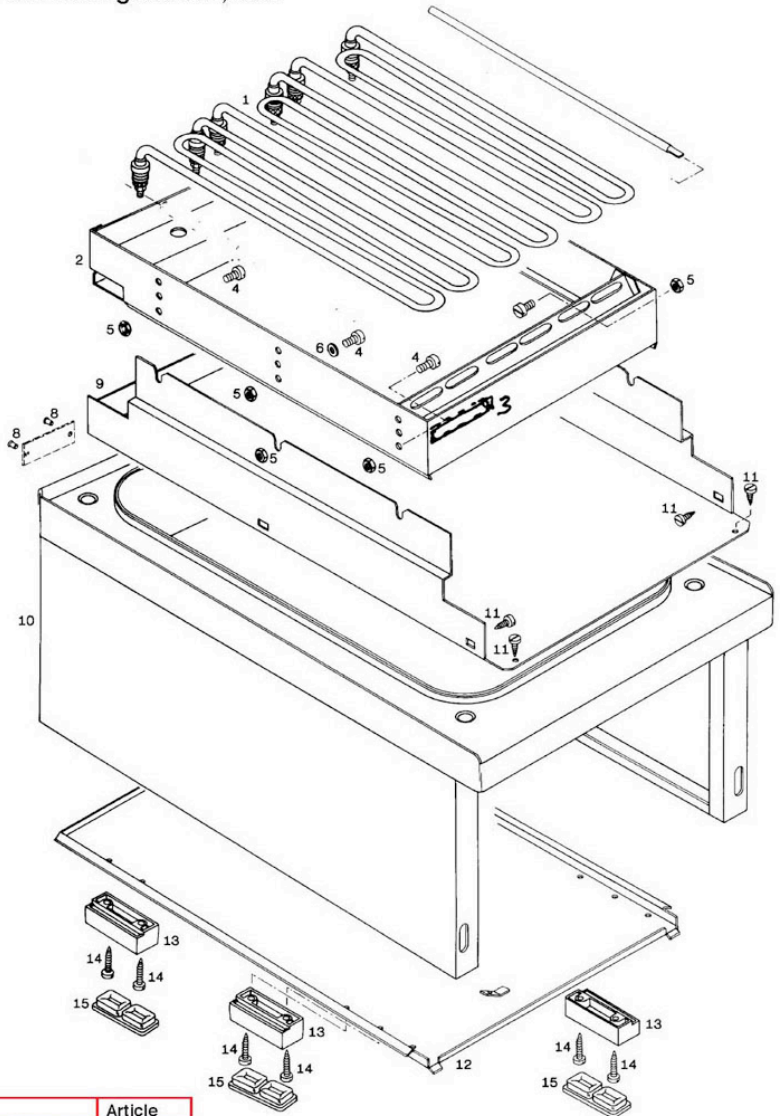
Pos.	Description	Article
29	lid for single and twin deep fat fryer	271802
37	corugated spring lock washer	276308
38	support	288926
39	switch plate	288942
40	base f. switch	288950
41	BASISSCHALTER VDE, BIS GERAETE-NR.	
42	leg	080500
43	rubber leg	085227
48	handle	088358
49	sheet metal screw	186465
56	threaded pin M 5x6	133957
57	o-ring	272825
71	spout	054305
72	micro switch	694223
72.1	nut M 3	000396
72.2	spring lock washer A3	000418
72.3	insulation bushing	682233
72.4	micro switch	680907
72.5	screw M 3X25	010480
*	wrench cpl. size 45	194018
*	basket for deep-fat fryer	271586

Deep fat fryer 601, 602 thermostat, basket



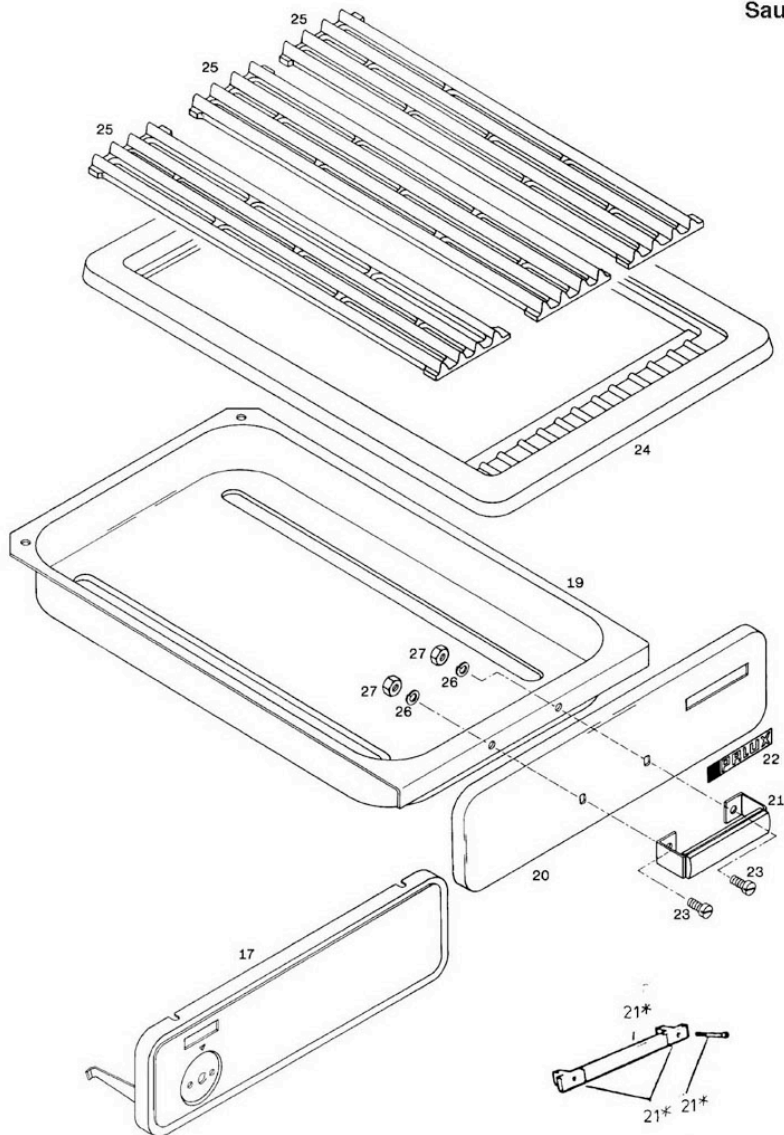
Pos.	Description	Article
1	short time clock	836117
2	capacitive regulator 130-180	026611
2.1	rotary selector switch	325384
3	safety temp. limiter 255	686832
4	support	139998
4	support	584355
5	switch toggle	027804
6	switch toggle	018503
12	lid	519200
13	shaped seal	246417
14	mains connecting block	002186
15	cable bushing	246921
16	clamp	248002
50	signal lamp yellow	080829
51	signal lamp clear	325708
68	insulating plate	228117
69	1/2 lengthwise baking basket for Deep-fat fryer	275166
	1/2 crosswise baking basket for deep-fat fryer	374512
70	outlet holder cpl.	010855
73	lead in bush	086320

74	visual indicator	168513
	blockage	329185
	capillary tube controller	136840
	ball tap	728969
	- cable, cable harness -	
	cable cpl.	024252
	cable cpl.	136867
	cable cpl.	289019
	cable cpl.	314595
	cable harness	329800
	cable harness	329819
	- documentation, label -	
	adhesive label	217360
	Palux care instructions	276766
	indicating label	279714
	indicating label	279722
	operating instructions	329533
	quality seal	385611
	CE sticker	637998
	installation instruction	650048

Sausage grill 610 heating element, foot

Pos.	Description	Article
1	heating element 230V 1500W	083577
2	combustion chamber	092967
3	bracket	192139
9	intermediate sheet metal	092770
13	leg	080500
15	rubber leg	085227
16*	sheet metal screw	031720
16*	cover	092991
16*	support f. cover	223859

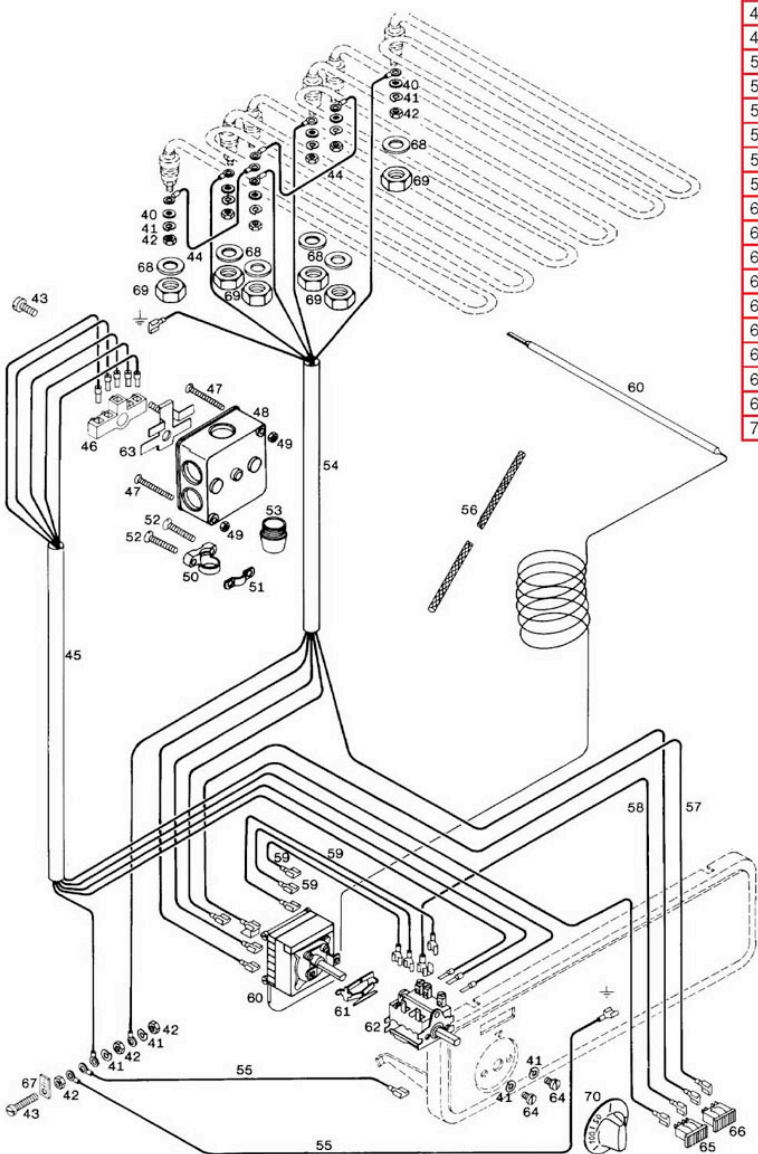
Sausage grill 610 grid, pan



Pos.	Description	Article
19	pan enamelled 40	088218
20*	front panel 400	139351
21	lid handle	020761
21	threaded pin M 6x25	055050
21	handle 400	153834
21	spacer	171115
22	label Palux	095079
24	grid frame	569054
25	grid	086754

Sausage grill 610 thermostat, lamp

Pos.	Description	Article
45	cable harness	082740
46	connector	151491
48	junction box WK007	082899
50	cable fitting	085340
51	strain relief	085448
53	lead in bush	086320
54	cable harness	234206
54*	cable harness	322059
56	insulation tubing D6	031763
60	capacitive regulator 60-300	224081
61	connecting bow	086223
62	rotary selection switch	086312
63	support	099597
65	signal lamp clear	325708
66	signal lamp yellow	080829
67	earth sign	035564
68	washer	006408
69	nut R 1/4"	035637
70	switch toggle	087432



Sausage grill 610038 (without illustration)

Article	Artikel
326496	HEIZKOEPPER 230V AC, 2450W (R1, R2)
307491	SCHUETZ DSL7-01 230V 20A T70, E (K1)
314544	ENERGIEREGLER 230V AC 12A T125 (S1)
317225	LEITERPLATTE KPL. SCHALTERWECHSLER 230V T70 (PL1)
080829	SIGNALLEUCHE GELB 230V AC T120 (H2)
325708	SIGNALLEUCHE FARBLOS 230V AC T120 (H1)
002186	NETZANSCHLUSSKLEMME 400V 40A T100
248002	KLEMME 3TH120-49990 SIEMENS
638080	ENTSTÖRKONDENSATOR 2X0.68mF+470W, 250V AC T100
	- Kabel und Kabelbäume, Schaltplan -
323055	KABELBAUM KPL. STEAK-GRILL 400-600
323063	KABELBAUM KPL. STEAK-GRILL 400-600
323071	KABELBAUM KPL. STEAK-GRILL 400-600
089842	KABEL KPL. STEAK-GRILL 400-600, ab Geräte-Nr.....
323136	KABELBAUM KPL. STEAKGRILL 400
189251	KABEL KPL. STEAK-GRILL 400-600, ab Geräte-Nr.....
333115	KABELBAUM KPL. WURSTGRILL 400
331694	SCHALTPLAN WURSTGRILL 610038
	- sonstige Bauteile -
215813	DICHTRING A14X18X1,5 DIN7603 CU
280356	MUTTER M 14X1,5 MS-NI DIN 44879
329150	HEIZKOEPPERHALTERUNG
164763	SCHWINGUNGSDAEMPFER D 14 X 15, M 4
241083	BEFESTIGUNGSELEMENT FUER LEITERPLATTEN
244368	ABDECKBLECH F.SCHUETZ
309494	MONTAGEBLECH 1X45X68 SCHUETZ DSL 7
341894	SCHALTERKNEBEL KPL. GRILL 610/620
080500	FUSS SCHWARZ MAKROLON
085227	GUMMIFUSS FORMTEIL
223697	KLEMMBUEGEL M6 MS-NI C12 DIN 46282
246409	DECKEL F.EL.ANSCHLUSS
246417	FORMDICHTUNG F.EL.ANSCHLUSS
246921	KABELTUELLE LUPOLEN 5261Z
055050	GEWINDESTIFT M6X52 1.4301
139351	FRONTPLATTE WANNE 40 GRILL/BRATER AUS 36
153834	GRIFF 400
171115	DISTANZSTUECK F.GRIFF
327131	GEWINDESTIFT M6X70 1.4305
332917	WANNE KPL. GRILL/BRATER 400
569054	Rahmen kpl. Wurstgrill 400, ab Geräte-Nr.
086754	ROST GG 20
088757	GRIFF D 8 MM
314552	ABDECKBLECH STEAKGRILL 400
315087	ZWISCHENBLECH STEAK-GRILL 400
327441	ABDECKBLECH STEAK-GRILL 400

Sausage grill 610402 (without illustration)

Article	Artikel
034274	FRONTPLATTE W.400 0,8X175X460
055050	GEWINDESTIFT M6X52 1.4301
088218	WANNE-EMAILLIERT 400
153834	GRIFF 400
171115	DISTANZSTUECK F.GRIFF
052965	KNOPFHALTER WD6,SCA5051
080829	SIGNALLEUCHTE GELB SGF 1224 - 230V
325708	SIGNALLEUCHTE FARBLOS
164763	SCHWINGUNGSDAEMPFER D 14 X 15, M 4
168513	ANZEIGE-DREIECK FRONTPLATTEN
241083	BEFESTIGUNGSELEMENT FUER LEITERPLATTEN
649481	HEIZKOEPPER 1600 W , 220 V PRO GERAET 2 STUECK
314447	SCHALTERKNEBEL KPL. STEAKGRILL
314544	ENERGIEREGLER STEAKGRILL 400
314552	ABDECKBLECH STEAKGRILL 400
317225	LEITERPLATTE KPL. SCHALTERWECHSLER
320943	KABEL KPL. UMBAUSATZ STEAK-GRILL
320978	UMBAUSATZ ENERGIEREG STEAK-GRILL
321044	KABELBAUM KPL. UMBAUSATZ STEAK-GRILL
214868	ABDECKRAHMEN KPL.400
231371	SPRITZBLECH F. TYP 610
244848	ZWISCHENBLECH STEAK-GRILL 610305
244864	HZK-HALTERUNG HINTEN STEAK-GRILL 610305
244899	HZK-ABDECKUNG HINTEN STEAK-GRILL 610305
245011	HZK-HALTERUNG VORN STEAK-GRILL 610305
245038	HZK-ABDECKUNG VORN STEAK-GRILL 610305
245089	BRENNKAMMER KPL. STEAK-GRILL 610305
039683	ISOLIERSCHLAUCH D12 FIBERGLAS METERWARE
246816	KABELBAUM KPL. STEAK-GRILL 610402
246832	KABELBAUM KPL. STEAK-GRILL 610402
080500	FUSS SCHWARZ MAKROLON
085227	GUMMIFUSS FORMTEIL

Steak grill 61030 (without illustration)

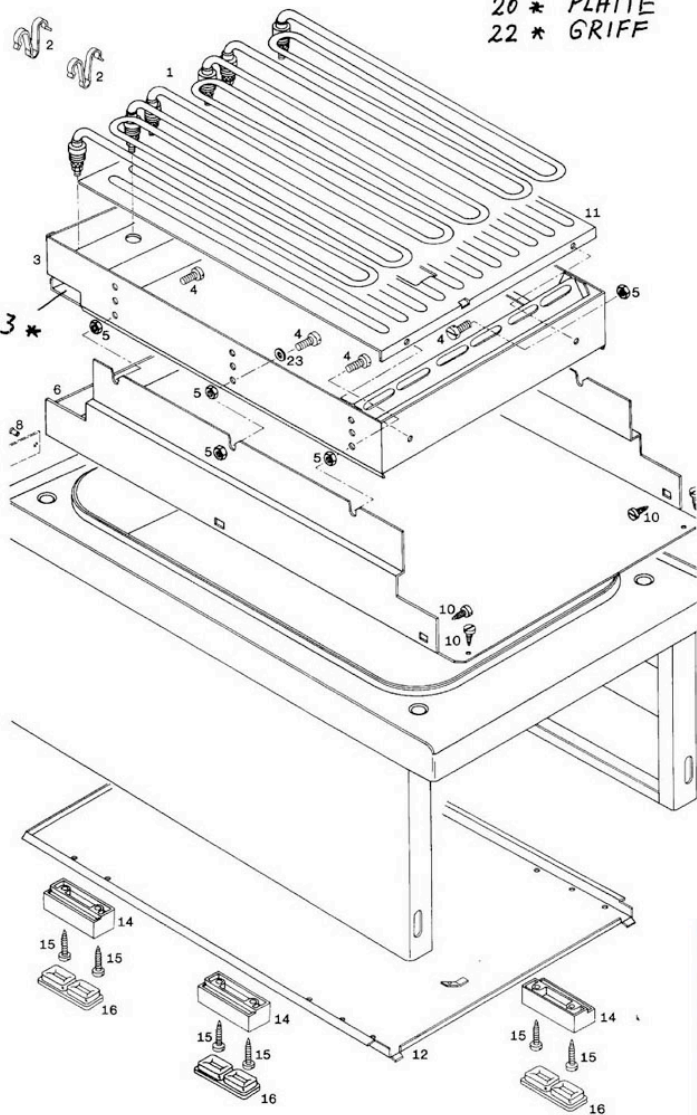
Article	Artikel
002623	DICHTUNG FIBER 5X10X2 MM
002976	DICHTUNG C9X15X2 CU.AS-FREI DIN 7603
222631	HEIZKOEPRER KPL. 220 V/250 W
187380	STUFENSCHALTER VMONT MIT WIDERSTAENDE
086312	DREHWINKELSCHALTER 49.31015.02
086223	VERBINDUNGSBUEGEL 617.078
038857	SCHALTERKNEBEL KPL. 0-6
154326	UMBAUSATZ 610/620 THERMORELAIS-SCHUETZ
314544	ENERGIEREGLER STEAKGRILL 400
395048	UMBAUSATZ KPL. THERMORELAIS-STEAKGR
080829	SIGNALLEUCHTE GELB SGF 1224 - 230V
325708	Signalleuchte farblos
236365	FRONTPLATTE W. 600 WANNE VON 366226
153842	GRIFF 600
055050	GEWINDESTIFT M6X52 1.4301
171115	DISTANZSTUECK F.GRIFF
168513	ANZEIGE-DREIECK FRONTPLATTEN
088226	WANNE-EMAILLIERT 600
080500	FUSS SCHWARZ MAKROLON
085227	GUMMIFUSS FORMTEIL
086320	DURCHFUEHRUNGSTUELLE INNENDURCHMESSER 6
151491	LUESTERKLEMMME 1038B 1POL.10MM2 WIELAND
172987	STOPFEN S 9-843 GELO SPELSBERG
223662	GEWINDEBUCHSE M4 RD 10X10
223697	KLEMMBUEGEL M6 MS-NI C12 DIN 46282
228117	DAEMMPLATTE SK 11 2X 25X 35
228257	KABELVERSCHRAUBUNG MAKROLON 3000 SCHW.
228281	KABELTUELLE PVC TYP DG 16 . D6
051144	REINIGUNGSSCHABER F. FUER STEAKGRILL

Steak grill 610429 (without illustration)

Article	Artikel
649481	HEIZKOEPPER 230 V AC 1600W (R1, R2)
002186	NETZANSCHLUSSKLEMME 400V 40A T100
080829	SIGNALLEUCHTE GELB 230V AC T120 (H2)
325708	SIGNALLEUCHTE FARBLOS 230V AC T120 (H1)
248002	KLEMME (ZUGENTLASTUNG)
307491	SCHUETZ DSL7-01 220/230V 20A T70, E (K1)
314544	ENERGIEREGLER 230V AC 12A T125 (S1)
317225	LEITERPLATTE KPL. SCHALTERWECHSLER 230V T70 (PL1)
638072	ENTSTÖRKONDENSATOR 0.68mF+470W, 250V AC
	- Kabel und Kabelbäume, Schaltplan -
323055	KABELBAUM KPL. STEAK-GRILL 400-600
323063	KABELBAUM KPL. STEAK-GRILL 400-600
323071	KABELBAUM KPL. STEAK-GRILL 400-600
089842	KABEL KPL. STEAK-GRILL 400-600, ab Geräte-Nr.
323136	KABELBAUM KPL. STEAKGRILL 400
189251	KABEL KPL. STEAK-GRILL 400-600, ab Geräte-Nr.
331589	KABELBAUM KPL. STEAK-GRILL 400-600
188921	NETZSCHNUR H07 RN-F 3X1.5mm ²
331570	SCHALTPLAN STAKGRILL 610
	- sonstige Bauteile -
331597	HEIZKOEPPERHALT.KPL. STEAK-GRILL 400
033650	KLEBESCHILD F. ANSCHLUSS STEAKGR
164763	SCHWINGUNGSDAEMPFER D 14 X 15, M 4
223697	KLEMMBUEGEL M6 MS-NI C12 DIN 46282
241083	BEFESTIGUNGSELEMENT FUER LEITERPLATTEN
244368	ABDECKBLECH F. SCHUETZ
246409	DECKEL F. EL.ANSCHLUSS
246417	FORMDICHTUNG F.EL.ANSCHLUSS
246921	KABELTUELLE LUPOLEN 5261Z
309494	MONTAGEBLECH 1X45X68 SCHUETZ DSL 7
341894	SCHALTERKNEBEL KPL. GRILL 610/620
004030	HUTMUTTER M 6 1.4301 DIN 917
139351	FRONTPLATTE WANNE 40 GRILL/BRATER AUS 36
153834	GRIFF 400
171115	DISTANZSTUECK F.GRIFF
327131	GEWINDESTIFT M6X70 1.4305
327433	DISTANZHUELSE VERN. DI=6,5; DA=18X5
332917	WANNE KPL. GRILL/BRATER 400
080500	FUSS SCHWARZ MAKROLON
085227	GUMMIFUSS FORMTEIL
314471	HEIZK.HALTERUNG HI STEAK-GRILL 400
314552	ABDECKBLECH STEAKGRILL 400
314692	HEIZK.ABDECKUNG VORN STEAK-GRILL 400
315087	ZWISCHENBLECH STEAK-GRILL 400
327441	ABDECKBLECH STEAK-GRILL 400
327476	ABSCHIRMBLECH KPL. STEAK-GRILL 400
327484	ABDECKRAHMEN KPL. STEAKGRILL 400
039691	ISOLIERSCHLAUCH D 9 GLASSEIDE METERWARE

Pan 611 heating element, foot

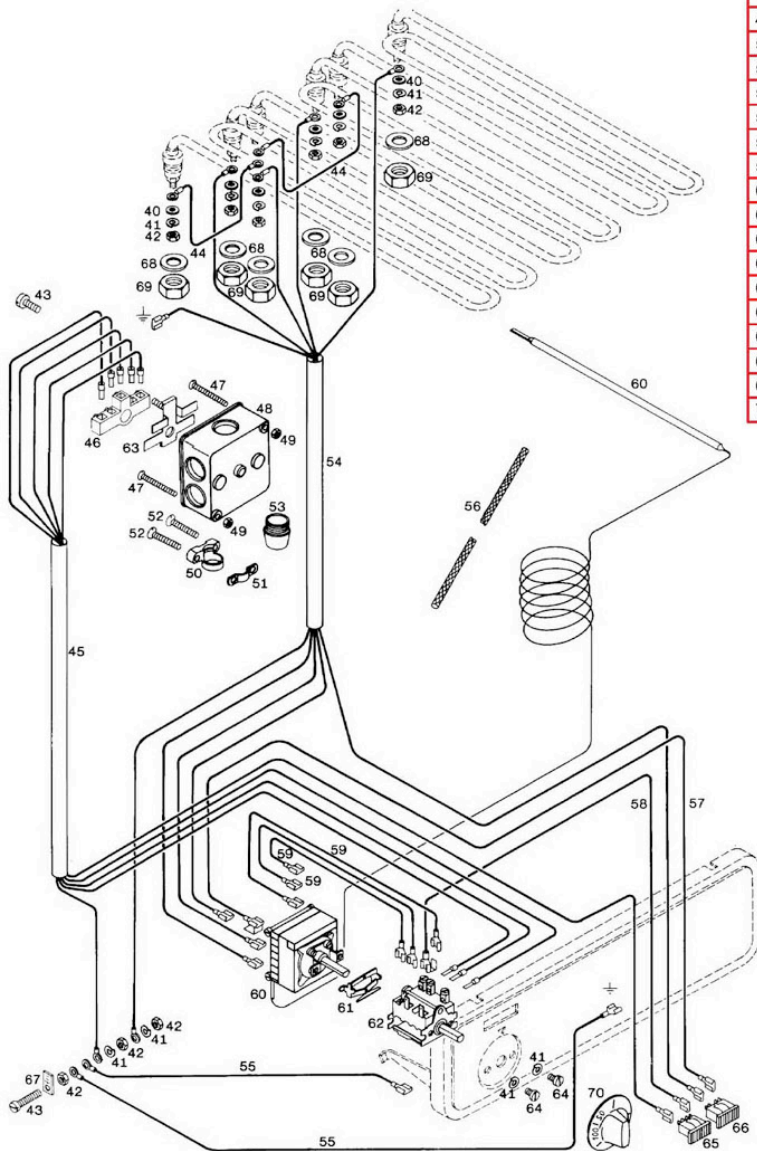
20 * PLATTE
22 * GRIFF



Pos.	Description	Article
1	heating element 230V 1500W	083577
2	support long	084328
3	combustion chamber	092967
6	intermediate sheet metal	092770
11	reflector	093084
14	leg	080500
16	rubber leg	085227
19	label Palux	095079
20	frier pan 400	010898
22	screw M 5X16	01415*
22	HANDLE D 8 MM	088757
23*	sheet metal screw	031720
23*	cover	092991
23*	support f. cover	223859

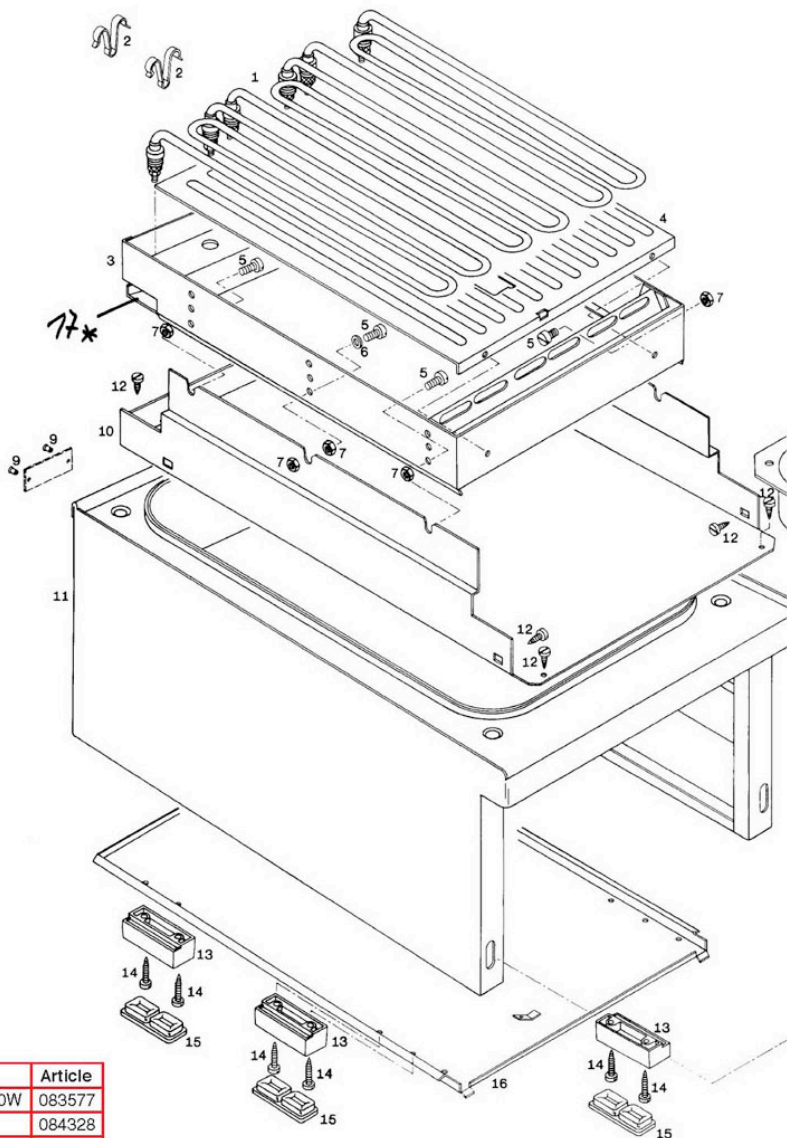
Pan 611 thermostat, lamp

Pos.	Description	Article
45	cable harness	082740
46	connector	151491
48	junction box WK007	082899
50	cable fitting	085340
51	strain relief	085448
53	lead in bush	086320
54	cable harness	082767
54*	cable harness	234206
56	insulation tubing D6	031763
60	capacitive regulator 60-300	224081
61	connecting bow	086223
62	rotary selection switch	086312
63	support	099597
65	signal lamp clear	325708
66	signal lamp yellow	080829
67	earth sign	035564
68	washer	006408
69	nut R 1/4"	035637
70	switch toggle	087432

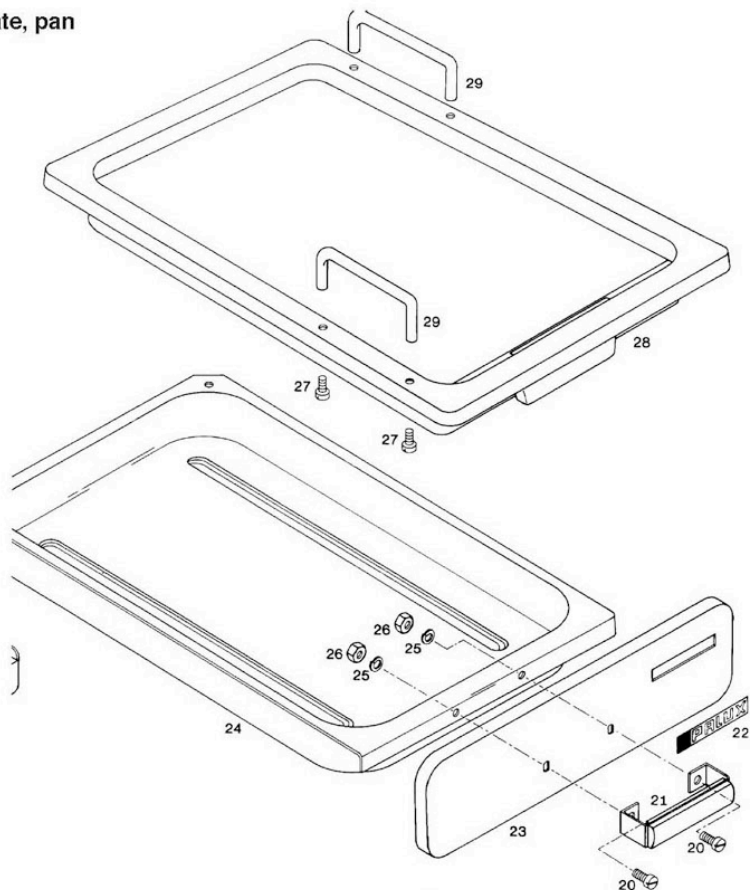


Grill Pan 611220 (without illustration)

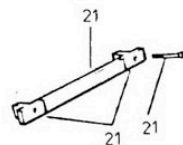
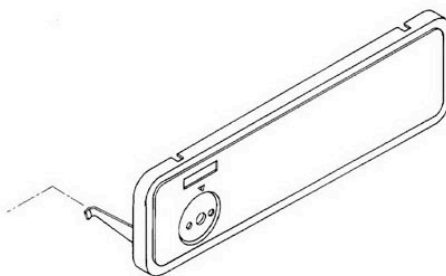
Article	Artikel
326496	HEIZKOEPPER 230V AC 2250W
002186	NETZANSCHLUSSKLEMME 400V 40A T100 (X1)
080829	SIGNALLEUCHTE GELB 230V AC T120 (H2)
325708	SIGNALLEUCHTE FARBLOS 230V AC T120 (H1)
224081	KAP.-REGLER 60-300 400V AC 16A T150 (S3)
334308	DREHSCHALTER 250V AC 16A T150 (S2)
248002	KLEMME (ZUGENTLASTUNG)
619221	STB 400V AC 20A T125
091731	ISO-SCHLAUCH D8 GLAS
	- Kabel und Kabelbäume, Schaltplan -
136867	KABEL KPL.
331341	KABELBAUM KPL.
331384	KABEL KPL.
568538	KABELBAUM KPL.
	- sonstige Bauteile -
215813	DICHTRING A14X18X1,5 DIN7603 CU
280356	MUTTER M 14X1,5 MS-NI DIN 44879
329150	HEIZKOEPPERHALTERUNG GRILL / BRATER 400
086223	VERBINDUNGSBUEGEL 617.078
087432	SCHALTERKNEBEL KPL. 50-300 C
246409	DECKEL F.EL.ANSCHLUSS
246417	FORMDICHTUNG F.EL.ANSCHLUSS
246921	KABELTUELLE LUPOLEN 5261Z
055050	GEWINDESTIFT M6X52 1.4301
139351	FRONTPLATTE WANNE 40 GRILL/BRATER AUS 36
153834	GRIFF 400
171115	DISTANZSTUECK F. GRIFF
327131	GEWINDESTIFT M6X70 1.4305
327158	DISTANZHUELSE D16,5DA18X25
332917	WANNE KPL. GRILL/BRATER 400
332925	WANNE KPL. GRILL/BRATER 600
085227	GUMMIFUSS FORMTEIL
163732	BEILAGSCHEIBE TYP 641
315087	ZWISCHENBLECH STEAK-GRILL 400
327441	ABDECKBLECH STEAK-GRILL 400
096857	FETTBLASSSTOPFEN (P KOMBIBRATER
327042	GRIDDLE-BRATER WANNE TYP 611220
568163	REFLEKTOR
568171	ABDECKUNG FÜR KAPPILARROHRE
568228	DOPPELHALTER
568570	REFLEKTORBLECH
568589	REFLEKTOR BRATER 600
568597	REFLEKTORBLECH VORN

Griddle plate 612 heating element, foot

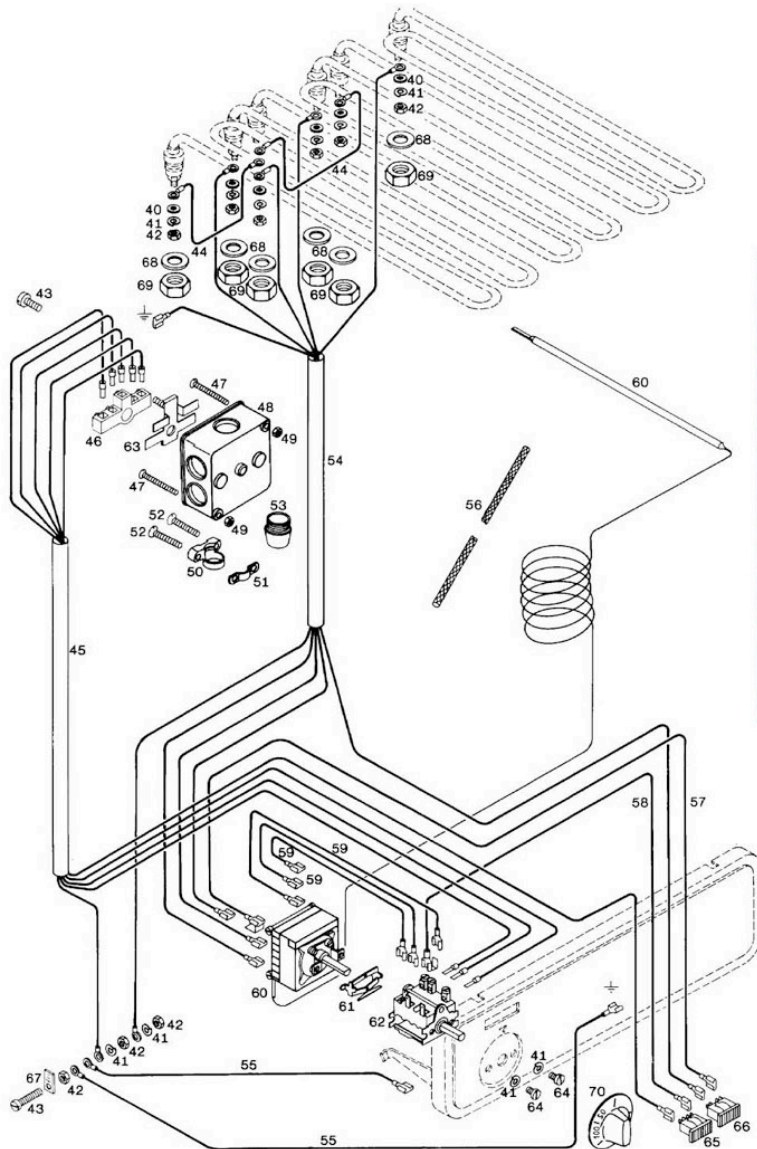
Pos.	Description	Article
1	heating element 230V 1500W	083577
2	support long	084328
3	combustion chamber	092967
4	reflector	093084
10	intermediate sheet metal	092770
13	leg	080500
15	rubber leg	085227
16	bottom plate	080608
17*	sheet metal screw	031720
17*	cover	092991
17*	support f. cover	223859

Griddle plate 612 plate, pan

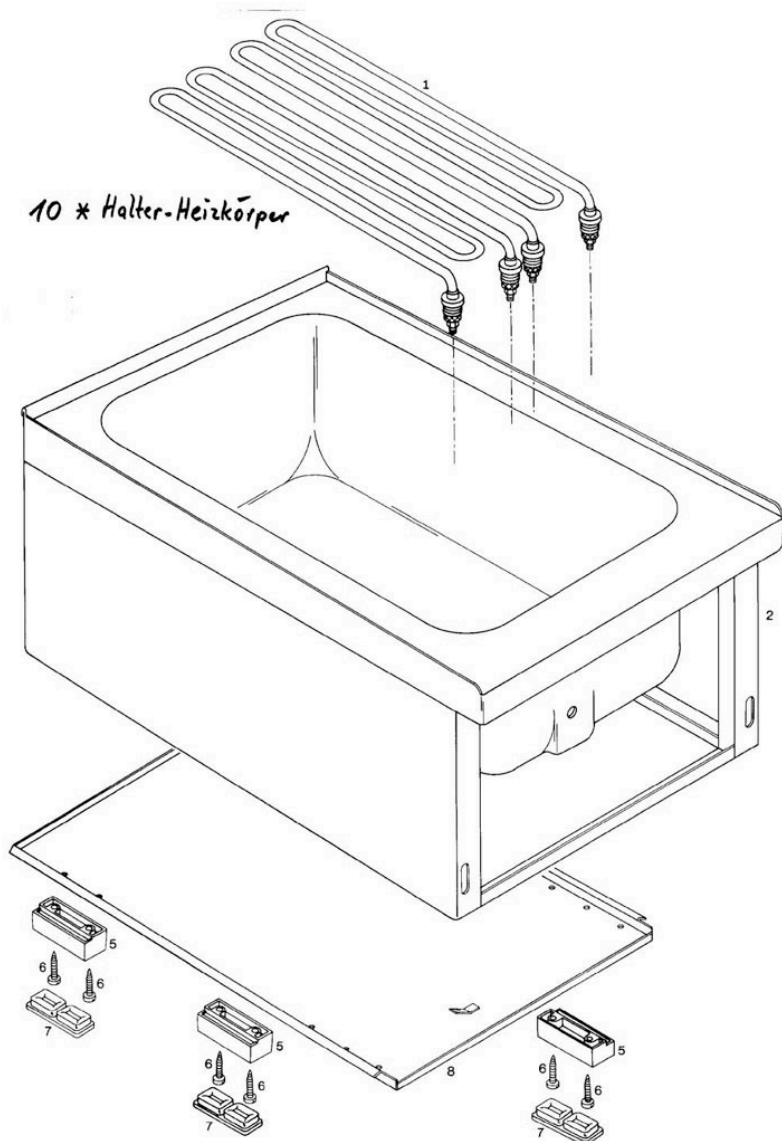
Pos.	Description	Article
21	lid handle	020761
21*	threaded pin M 6x25	055050
21*	handle 400	153834
21*	spacer	171115
22	label Palux	095079
23*	front panel 400	139351
24	pan enamelled 40	088218
27	screw M 5X16	01415*
28	griddle plate smooth	011568
29	HANDLE D 8 MM	088757
28	griddle top ribbed 40	013722
28	griddle top with upstand	014354
28	GRIDDLE TOP polished	014966
80	splash guard	176826
80*	splash guard	236128
82*	cleaning scraper	327956
82*	cleaning scraper	051101



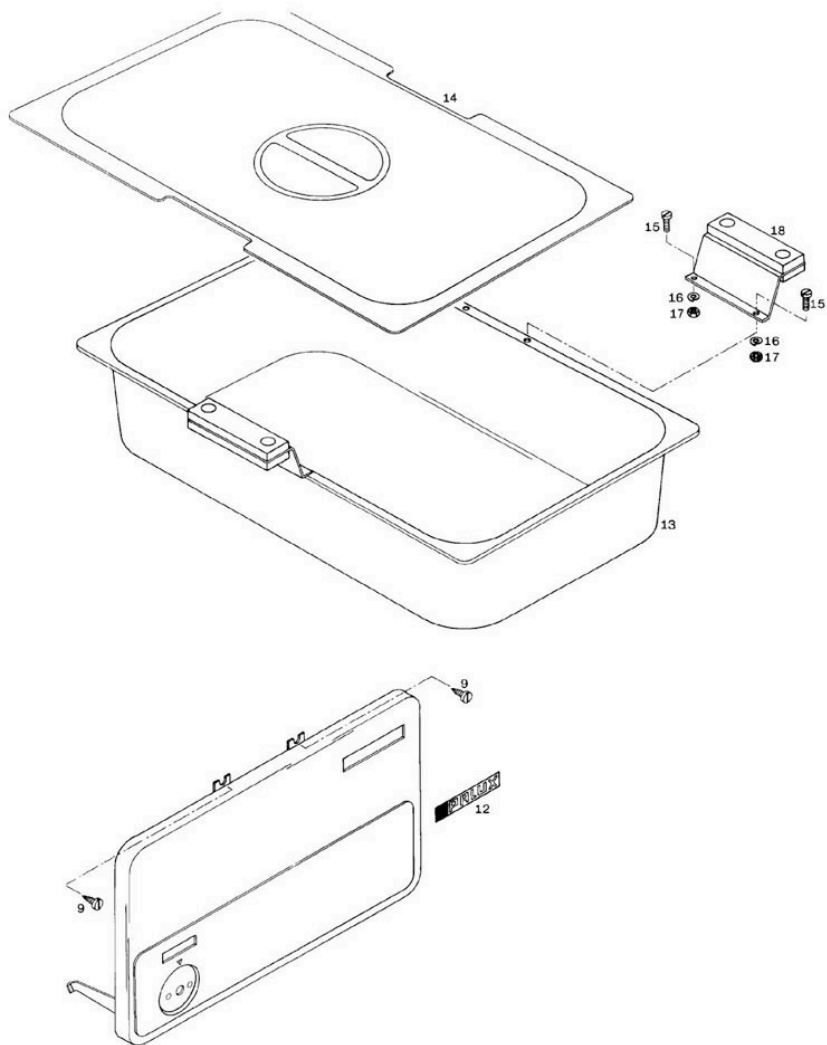
Griddle plate 612 thermostat, lamp



Pos.	Description	Article
45	cable harness	082740
46	connector	151491
50	cable fitting	085340
51	strain relief	085448
53	lead in bush	086320
54	cable harness	082767
54*	cable harness	234206
56	insulation tubing D6	031763
60	capacitive regulator 60-300	224081
61	connecting bow	086223
62	rotary selection switch	086312
63	support	099597
65	signal lamp clear	325708
66	signal lamp yellow	080829
67	earth sign	035564
68	washer	006408
69	nut R 1/4"	035637
70	switch toggle	087432

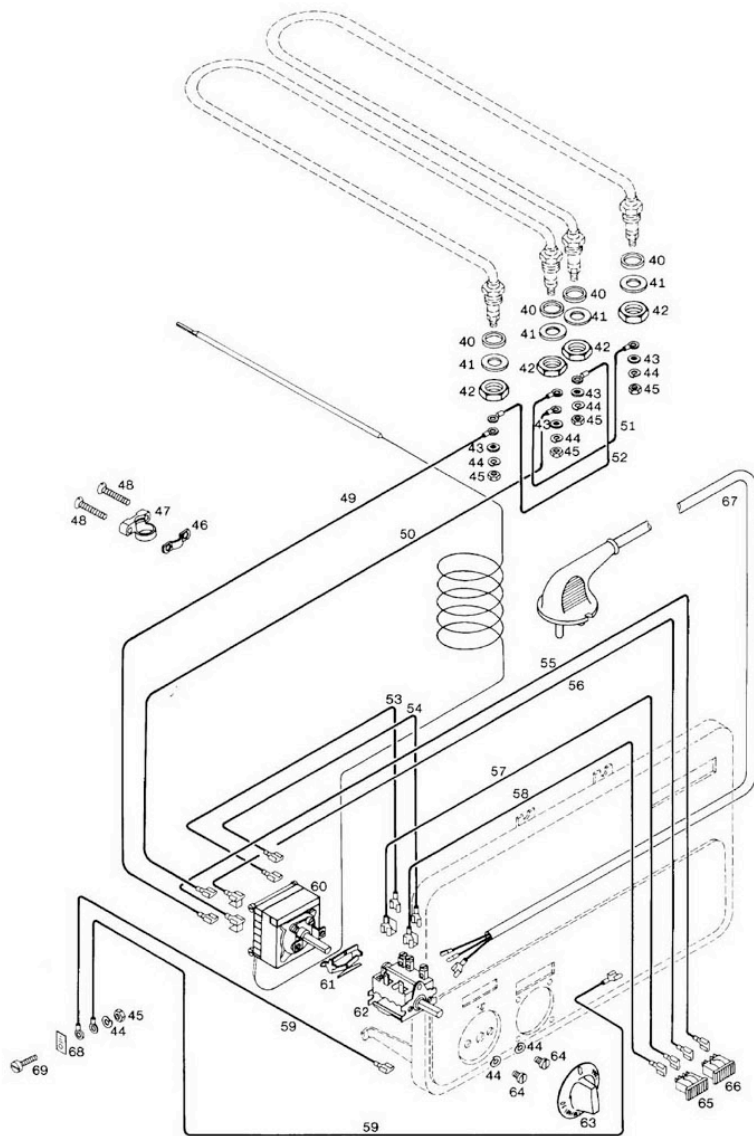
Pan 613 heating element, foot

Pos.	Description	Article
1	heating element 230V 1500W	083577
5	leg	080500
7	rubber leg	085227
10*	bracket heating element	085316

Pan 613 plate, pan, handle

Pos.	Description	Article
12	label Palux	095079
13	container CPL.	03004*
14	lid	030031
18	grip plate cpl.	022071

Pan 613 thermostat, lamp



Pos.	Description	Article
40	seal C14X20X2	002909
41	washer	006408
42	nut M 14x1,5	280356
46	strain relief	085448
47	cable fitting	085340
60	thermostat 30-150	099368
61	connecting bow	086223
62	rotary selection switch	086312
63	switch toggle	086533
65	signal lamp clear	325708
66	signal lamp yellow	080829
67	mains cable	085391
68	earth sign	035564

Pan 613088 (without illustration)

Article	Artikel
083577	HEIZKOEPPER KPL. 1500 W 220V,1.4876
215813	DICHRING A14X18X1,5 DIN7603 CU
280356	MUTTER M 14X1,5 MS-NI DIN 44879
340995	HEIZKOEPPERHALTERUNG SUDPFANNE 613088
086215	FRONTPLATTE 601
086533	SCHALTERKNEBEL KPL. 30-110 C
088854	BEFESTIGUNG TYP 613
099368	THERMOSTAT 30-150 53.02915.070
193682	DICHRING A16X12X2 NOVAPRESS 800 F
193690	VERSCHRAUBUNG SW17 M12X0,75 MSNI
193704	MUTTER SW17X3,5 M12X0,75 MSNI
193712	SCHEIBE D7,7X1 MS NII
193720	DICHTUNG D1XD7,5X5 NEOPRENE SCHWARZ
223697	KLEMMBUEGEL M6 MS-NI C12 DIN 46282
246190	UNIVERSALSTOPFBUCHSE FUER ID.NR.00698*
246409	DECKEL F.EL.ANSCHLUSS
246417	FORMDICHTUNG F.EL.ANSCHLUSS
246921	KABELTUELLE LUPOLEN 5261Z
248002	KLEMME 3TH120-49990 SIEMENS
030031	DECKEL TYP 273
03004*	BEHAELTER I KPL. TYP 613
080500	FUSS SCHWARZ MAKROLON
085227	GUMMIFUSS FORMTEIL
040657	KABEL KPL. EWS
343447	KABELBAUM KPL. BAIN-MARIE
343455	KABELBAUM KPL. BAIN-MARIE
343463	KABELBAUM KPL. BAIN-MARIE