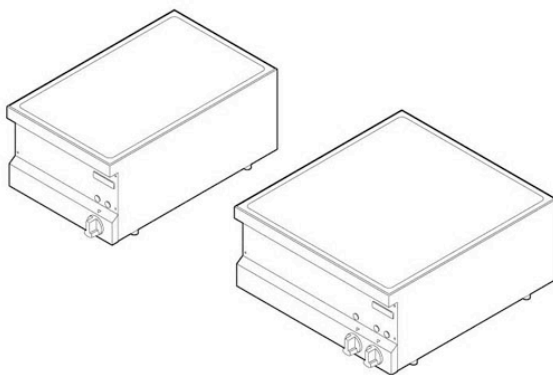


Ersatzteilkatalog

Spare parts list

PALUX BistroLine
PALUX BistroLinePlus



Dieser Ersatzteilkatalog ist gültig / this spare part catalogue is valid

für / for BistroLine

- ab Baujahr 2005 / since 2005

- ab Geräte-Nr. 386290 / since mach.-nr. 386290

Typenübersicht / Type overview

Fritteuse / Deep Fat Fryer

Einbecken-Fritteuse: 859311, 863203, 865745

Zweibecken-Fritteuse: 859338, 863211, 865753

Frittenwanne / Chip Scuttle

859346, 863823

Kocher / Cooker

859362, 863238, 865826

Wasserbad / Bain Marie

859354, 863246, 865796

Bräter / Pan

Bräter 400: 859397, 863874, 865842

Bräter 600: 859400, 863882, 865869

Bratplatte / Griddle Plate

Bratplatte 400: 859427, 863890, 867896

Bratplatte 600: 859435, 863904, 867918

Steakgrill / Steak grill

Steakgrill 400: 859370, 863858, 868027

Steakgrill 600: 859389, 865869, 868035

Ceranherd / Ceramic Range

859451, 863912, 865877

Ceranherd flächenbündig: 922498, 922455

Induktionsherd / Induction Range

Induktionsherd 1: 859486, 863920, 865885

Induktionsherd 2: 859494, 836939, 865893

Induktionsherd flächenbündig: 922463, 922471, 922439, 922447

Induktionswok / Induction Wok

Induktions-Wok 1: 859524, 863947, 865907

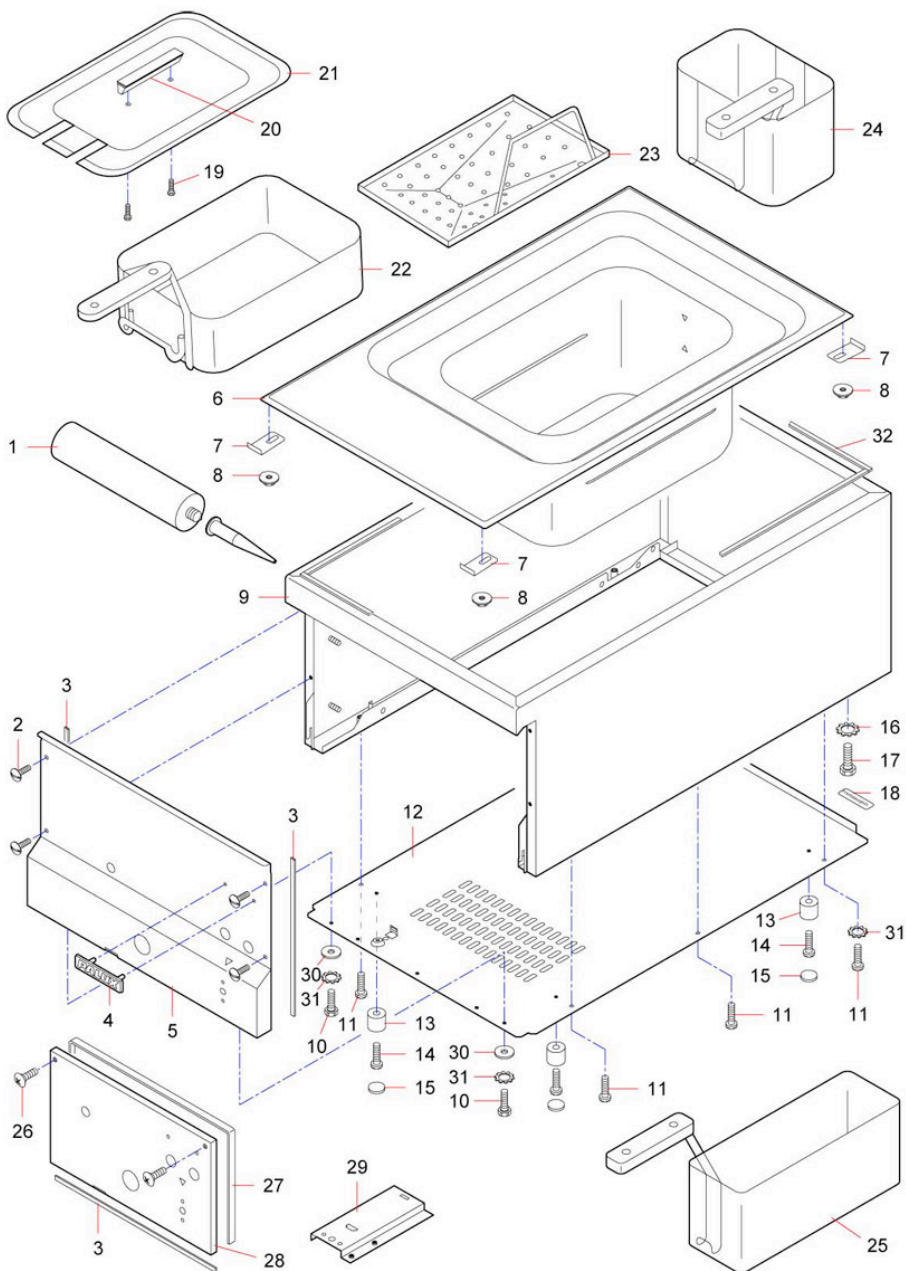
Induktions-Wok 2: 859532, 863955, 895915

Gasherd / Gas Range

DE 859540, 863963, 868043; UK 920819, 920843, 920886;

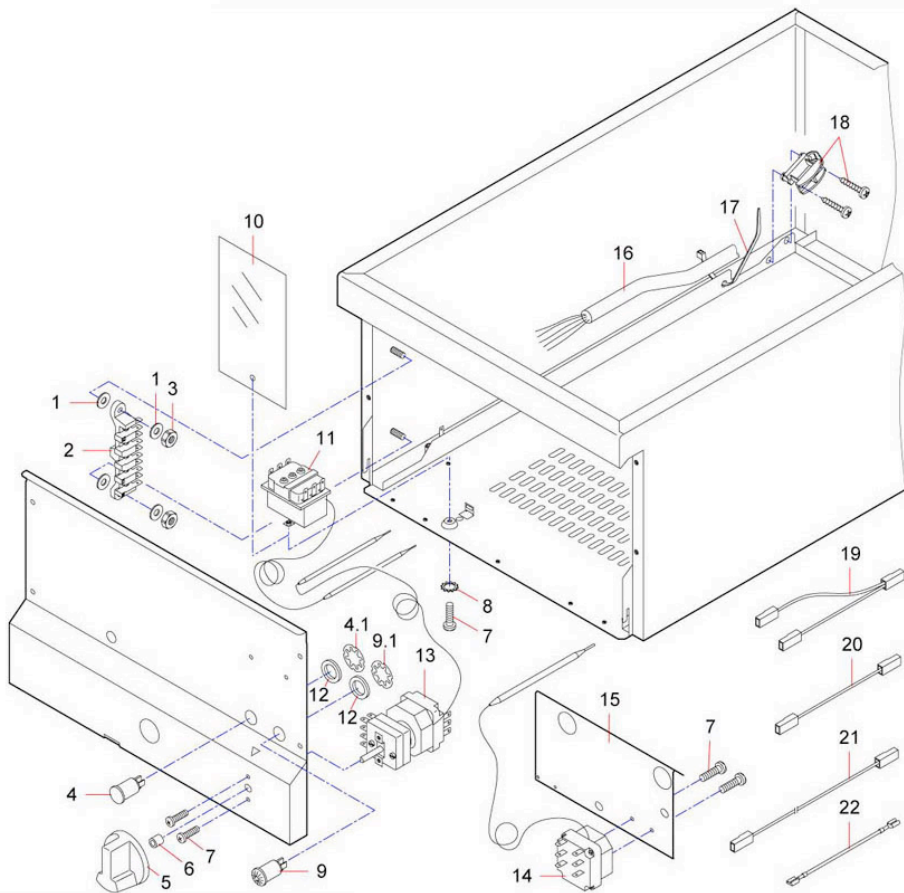
FR 920800, 920835, 920876; NL 920789, 920827, 920851

housing



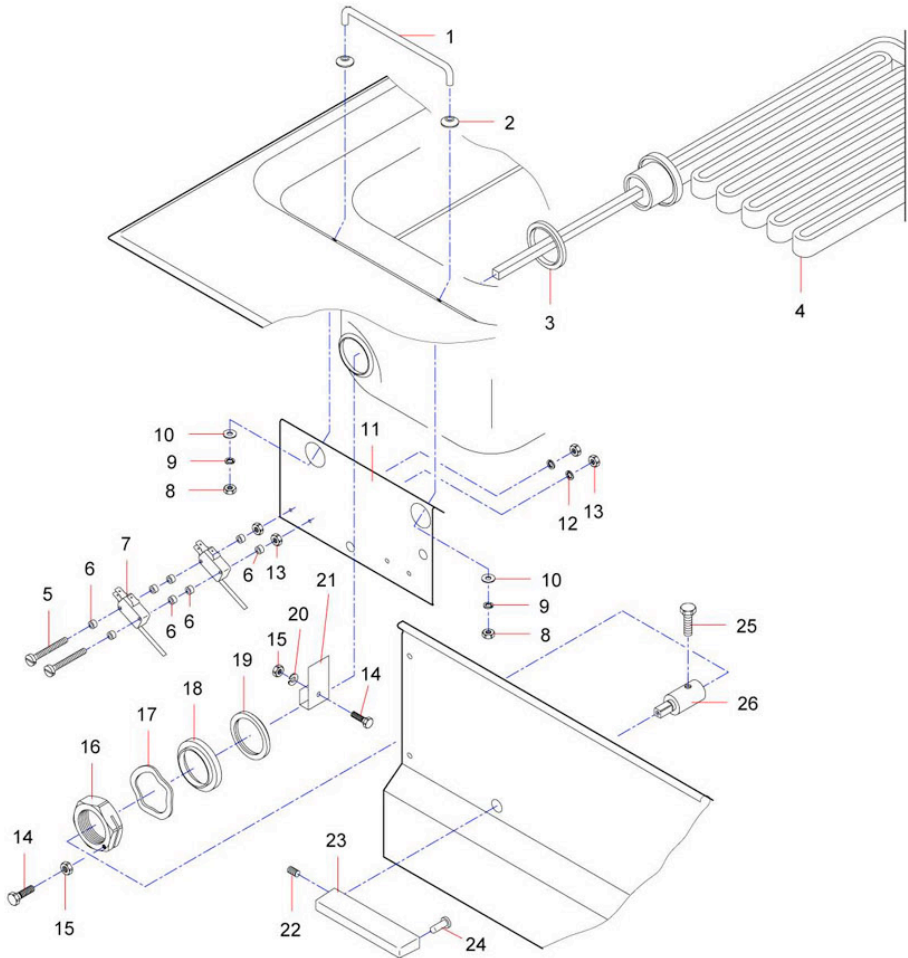
Pos.	Description	Article
1	adhesive set pactan 150 ml with cleaner	811890
1	silicon adhesive Pactan 310 ml	373060
2	OVAL-HEAD SCREW M4X8	333905
3	sealing profile	834777
4	PALUX sign	830755
5	front panel 400	860972
5	front panel 600	862444
6	top part cpl. 400	860956
6	top part cpl. 600	862363
7	angle bracket	861537
8	nut with disc M 6	614742
9	housing cpl. 400	859001
9	housing cpl. 400 folded up at back	863165
9	housing cpl. 600	858986
9	housing cpl. 600 folded up at back	863173
10	SCREW M 4X10	068217
11	SCREW M 4X6	174084
12	bottom plate 400	859443
12	bottom plate 600	860964
13	foot	861316
14	SCREW M 4X20	010545
15	rubber plate	305111
16	THOOTHED WASHER A6,4 A 6 DIN 6898	006777
17	SCREW M 6X16	251194
18	ADHESIVE LABEL EQUALIZATION	217360
19	SHEET-METAL SCREW B 3.9X9.5 STEEL CHROM.	031720
20	HANDLE	088358
21	Lid for single and twin deep-fat fryer	271802
22	Baking basket for Deep-fat fryer	271586
23	BREADCRUMB SIEVE CPL.	270679
24	portion basket	374512
25	backing rack 1/2	275166
26	screw M4x12 1.4301 DIN 966	039411
27	SI-foam-profiled joint 5,6x2,1mm	696390
28	front panel single deep fat fryer (BistroLine Plus)	866571
28	front panel dual deep fat fryer (BistroLine Plus)	866601
29	mounting plate (for mains terminal BistroLine Plus)	867179
30	washer A4,3 1.4301 DIN 9021	026999
31	thoothed lock washer J4,3 1.4301 DIN 6797	050849
32	silicone foam profile joint 5x3 mm	604151

electric



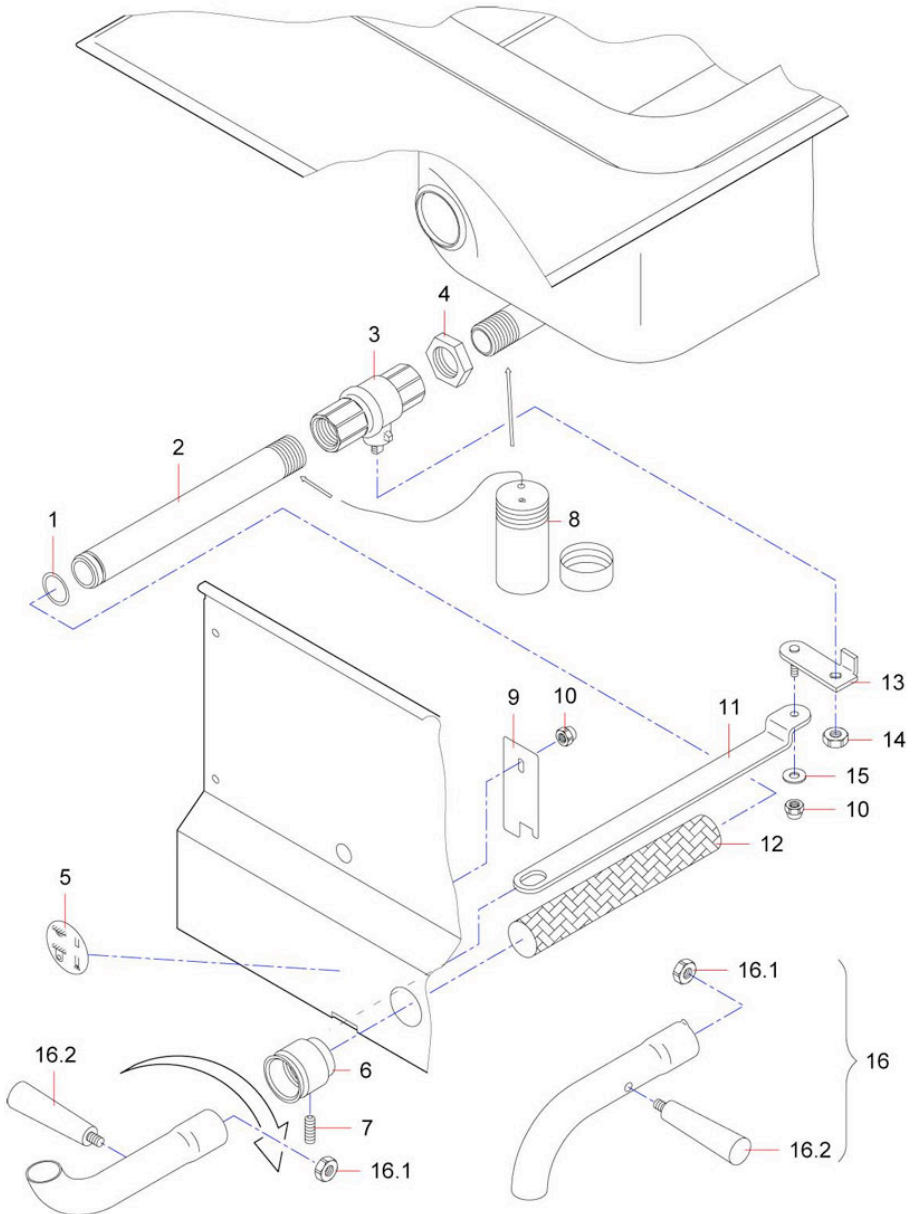
Pos.	Description	Article
1	WASHER A 4.3	001007
2	MAINS TERMINAL	002186
3	NUT M 4	003905
4	SIGNAL LAMP YELLOW 250V	694320
4.1	spring washer	
5	toggle cpl. 100-180	861049
6	HOSE SECTION	632236
7	SCREW M 4X6	174084
8	THOOTHED LOCK WASHER J4,3	050849
9	SIGNAL LAMP 250V GREEN	694339
9.1	spring washer	
10	cover for safety temperature limitation	861146
11	SAFETY TEMPERATURE SWITCH	686832
12	seal	865605
13	CAPACITIVE SWITCH 103-180	026611
14	CAPILLARY TUBE CONTROLLER	136840
15	mounting plate	861022
16	mains cable H07RN-F 5x2,5 2300 mm	861340
17	CABLE TIE	161179
18	strain relief	814636
19	CABLE HARNESS CPL.	539724
20	CABLE CPL. 2,5 QMM SW L=180	331384
21	cabl. cpl. 2,5 QMM GNGE L=560	539759
22	cabl. cpl. 2,5 QMM GNGE L=105	024252
	cabl. harness cpl.	861820

heating element, swivel mechanism



Pos.	Description	Article
1	HOOK	271640
2	THREADED DISC	125954
3	INNER SEALING RING PTFE 537/25 DEEP FAT FRYER	261033
4	heating element cpl. 8 kW	862665
5	SCREW M 3X40	055719
6	insulation bushing	682233
7	MICRO-SWITCH	680907
8	NUT M 5	252867
9	SPRING LOCK WASHER A 5	003964
10	Disc A5,3 1.4301	082155
11	mounting plate	861022
12	SPRING LOCK WASHER A 3 DIN 127	000418
13	NUT M 3	000396
14	SCREW M4X16	189499
15	NUT M 4	003905
16	CLAMPING NUT M 36X1.5	264849
17	CORRUGATED SPRING LOCK WASHER	276308
18	RETAINING RING, DEEP-FAT FRIER	262161
19	OUTER SEALING RING PTFE 537/25 DEEP FAT FRYER	262153
20	SPRING LOCK WASHER A 4	001023
21	switch plate for micro switch	861030
22	GRUB SCREW M 5X6	133957
23	HANDLE, ENAMELLED	065307
24	sleeve	054305
25	screw M6x10 1.4301 DIN 933 (BistroLine Plus)	251836
26	extension (only for BistroLine Plus)	866482

tube outlet



Pos.	Description	Article
1	O-RING D 17.3x2,4	869872
2	outlet pipe cpl.	861057
3	GAS BALL VALVE	375470
4	nut R 1/2	001260
5	adhesive label open-close	862533
6	bushing for drain	862592
7	GRUB SCREW M 5X6	133957
8	sealing material	864005
9	safety sheet	864374
10	NUT, SELF-LOCKING M4	302627
11	handle for ball tap	861138
11	handle for ball tap (for Bistroline Plus)	866504
12	hose	502995
13	actuation support cpl.	861065
14	nut M7	859095
15	WASHER A 4.3	001007
16	outlet pipe pre-ass.	863262
16.1	NUT M 6	251887
16.2	TAPERED MACH.HANDLE M 6X6	115282