

Ersatzteilkatalog
Spare parts list

PALUX Geschirrspülautomat

EC 500

ES 600



Dieser Ersatzteilkatalog ist gültig

- für Geräte ab Baujahr 1990

Typenübersicht

354392 GSP EC 500

Grundmodell DVGW

400V 3N AC / 6,85 kW

353167 GSP ES 600

Grundmodell

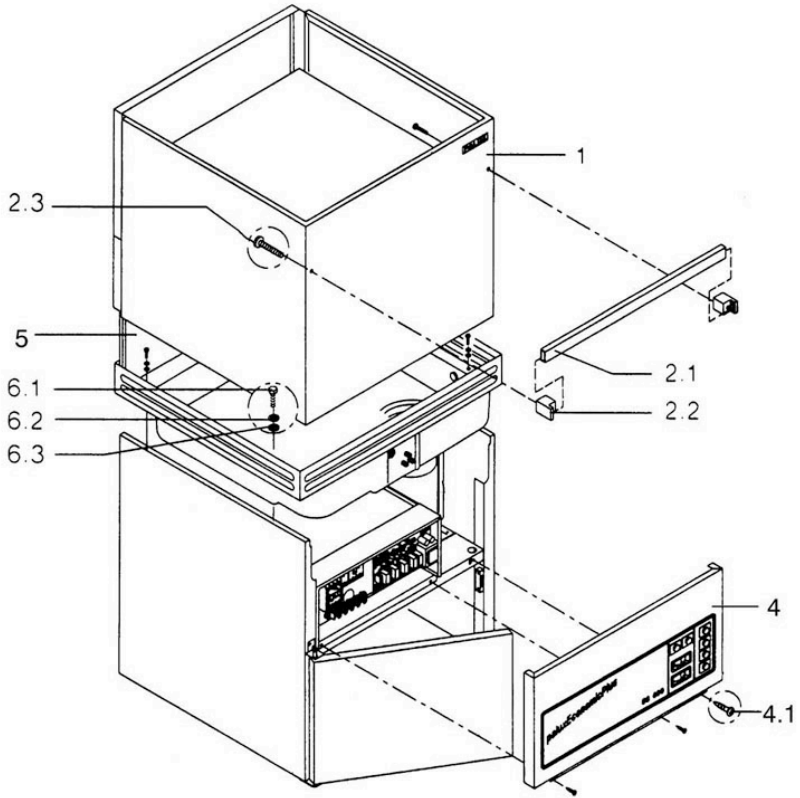
400V 3N AC / 9,85 kW

354457 GSP ES 600

mit automatischer Reinigerdosierung

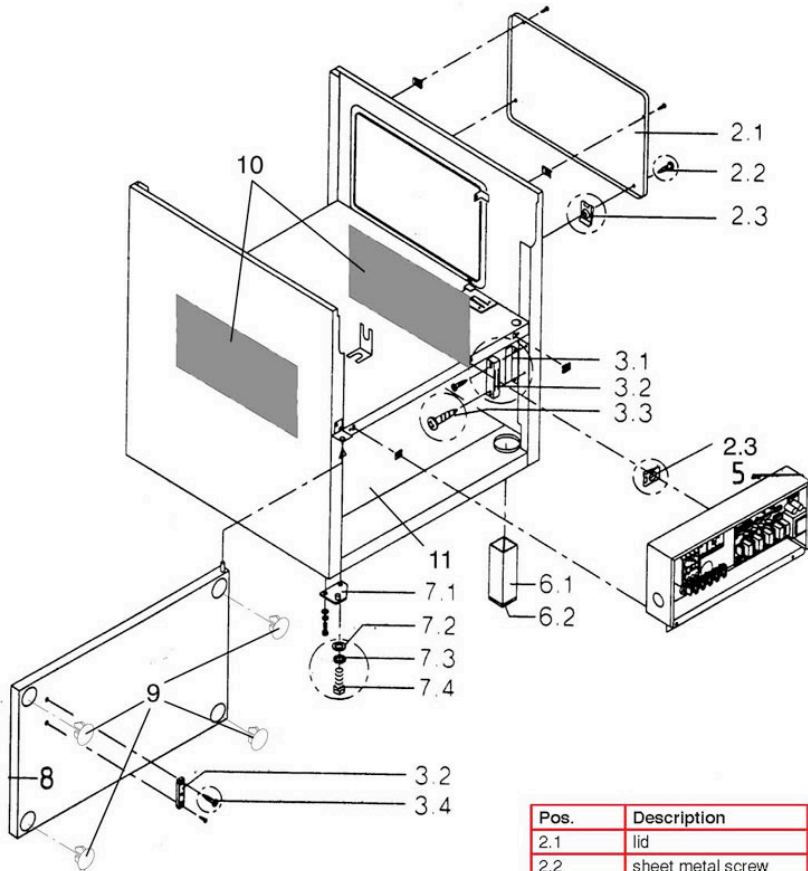
400V 3N AC / 9,85 kW

housing



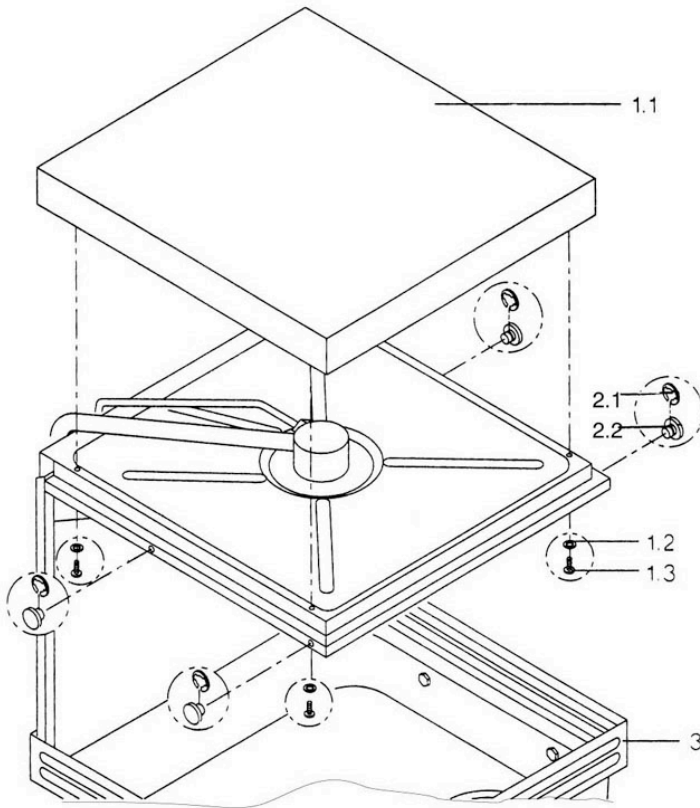
Pos.	Description	Article
1	hood	352527
2.1	handle	352713
2.2	spacer	171115
2.3	screw M 6X40	152374
4	front panel	352519
4.1	sheet metal screw	037508
5	casing	355275
6.1	screw M 6X16	251194
6.2	seal cage	044393
6.3	seal M6	079332

base frame



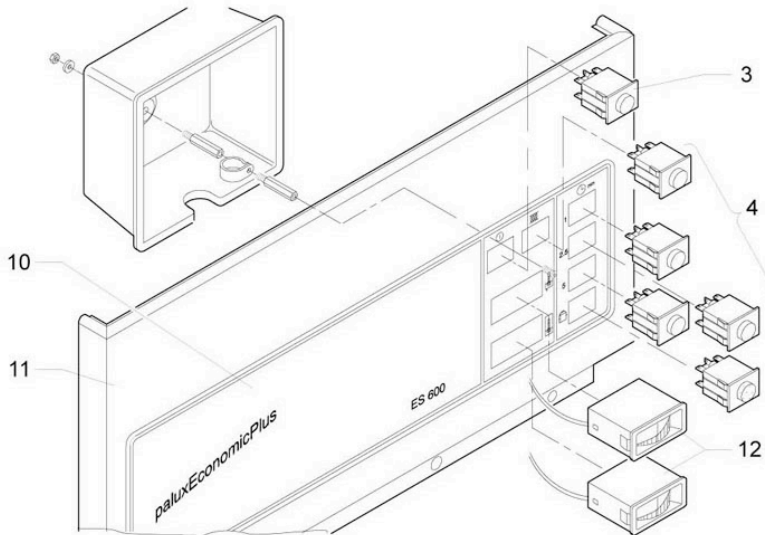
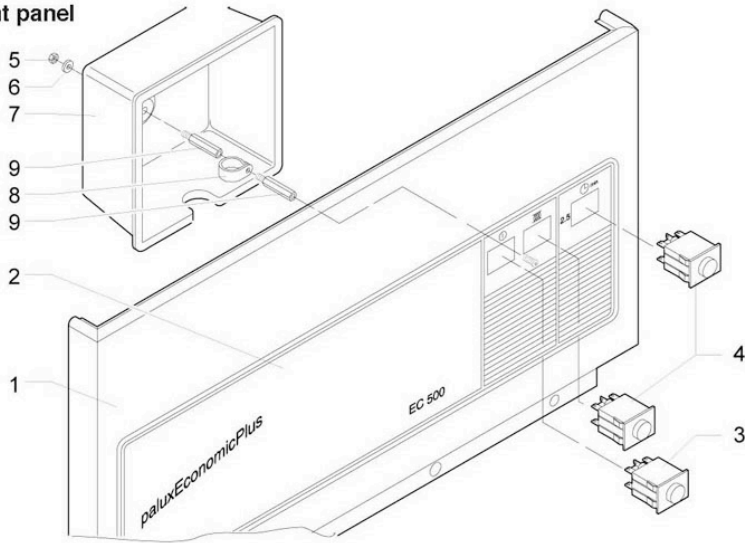
Pos.	Description	Article
2.1	lid	355607
2.2	sheet metal screw	263109
2.3	snap action nut 3.9	227889
3.1	angle door lock	128562
3.2	magnetic lock	037265
3.3	sheet metal screw	150754
3.4	sheet metal screw	003999
5	electric box	337447
6.1	leg 155	128627
6.2	knock in foot 40x40	129690
7.1	door bearing bottom	128554
7.2	washer 6.4	004014
7.3	spring lock washer A6	004022
7.4	screw M 6X16	251194
8	door cpl.	351768
9	covering cap	023620
10	insulating plate	337994
11	bottom plate	351725

cover



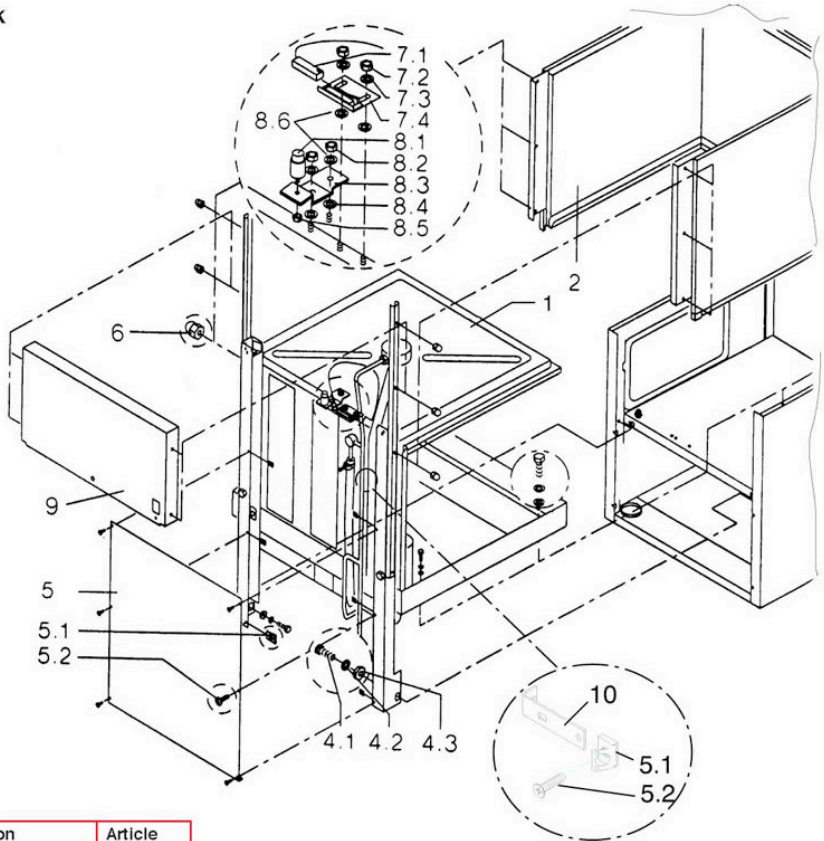
Pos.	Description	Article
1.1	cover	352349
1.2	seal M4	082066
1.3	screw M 4X10	010502
2.1	lock washer	013242
2.2	spacer	129968
3	tank bottom	

front panel



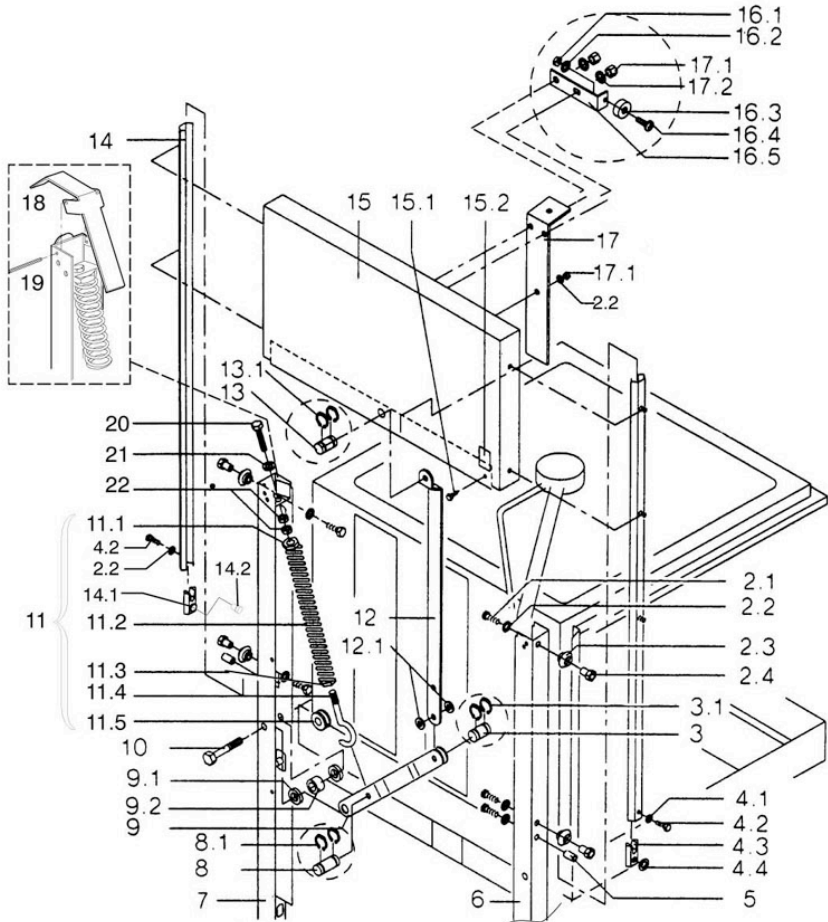
Pos.	Description	Article
1	front panel	366412
2	switch panel	353485
3	switch 230V GREEN	336904
4	switch 24V ORANGE	336947
5	nut M 4	006637
6	washer 4,3	001007
7	cover for switch	362247
8	support	262390
9	spacer bolt	356220
10	front panel	352519
11	switch panel	352543
12	remote thermometer	336971

hood, tank



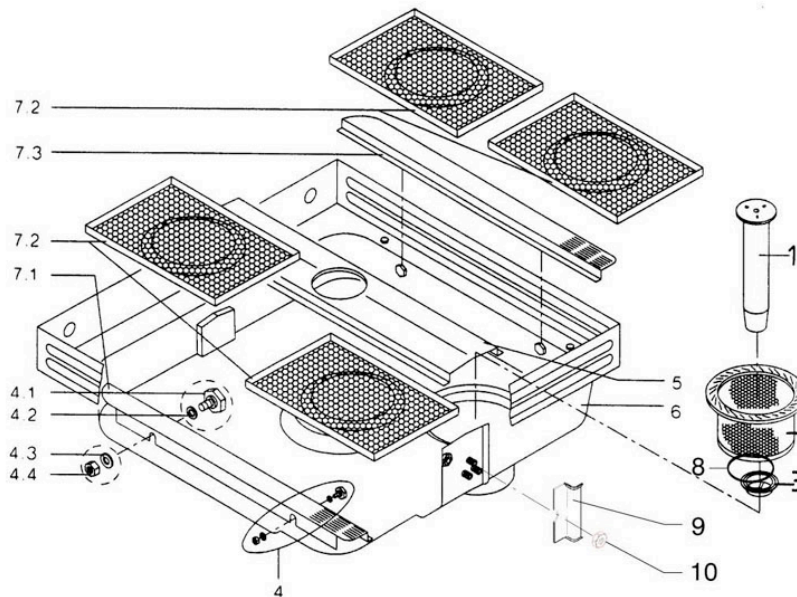
Pos.	Description	Article
1	casing	355275
2	hood	352527
4.1	screw M8X16	257478
4.2	washer	130192
4.3	eccentric washer	297755
5	rear panel	353140
5.1	push on nut M4	373222
5.2	screw M 4X8	001015
6	cap nut M 6	057355
7.1	limit switch	138649
7.2	nut M 6	251887
7.3	spring lock washer A6	004022
7.4	bracket	168386
8.1	stop	245364
8.2	nut M 6	251887
8.3	bracket	356999
8.4	washer 6,4	004014
8.5	nut M 4	003905
8.6	spring lock washer A6	004022
9	cover	352535
10	angle	168378

guiding for tank



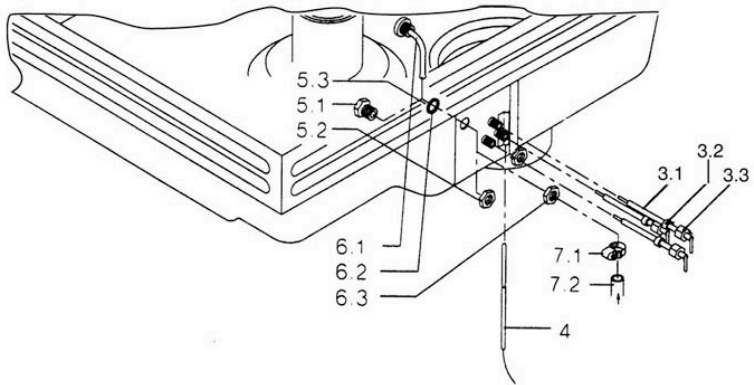
Pos.	Description	Article
2.1	screw M 6X16	251194
2.2	serrated lock washer A6.4	006777
2.3	guide roller D30	295833
2.4	threaded bush	294314
3	bearing bolt	133108
3.1	lock washer	294438
4.1	washer 6,4	004014
4.2	screw M 6X10	251836
4.3	limit damping	133205
4.4	threaded bush	128805
5	stop	130206
6	guide rail right	354805
7	guide rail left	352764
8	bearing bolt	133124
8.1	lock washer	294438
9	bow for spring	133035
9.1	spacer roller	133140
9.2	spacer roller	133132
10	screw M 8X60	352799
11	set tension spring	019267
11.1	threaded piece right	376612
11.2	hood spring	376604
11.3	threaded piece left	376620
11.4	spring hook	018473
11.5	spring bearing	018430
12	lever arm	356891
12.1	washer	133159
13	bearing bolt	133116
13.1	lock washer	294438
14	guide rail	352780
14.1	limit damping	133205
14.2	threaded bush	128805
15	cover	352535
15.1	sheet metal screw	011800
15.2	label attention	184152
16.1	nut M 4	003905
16.2	washer 4,3	026999
16.3	permanent magnet	293962
16.4	screw M 4X20	010545
16.5	angle	168378
17	angle	132772
17.1	cap nut M 6	004030
18	terminal bracket	639656
19	locking pin	639680
20	screw M 8x110	133051
21	washer 8,4	001325
22	nut M 8	012157

surface strainers



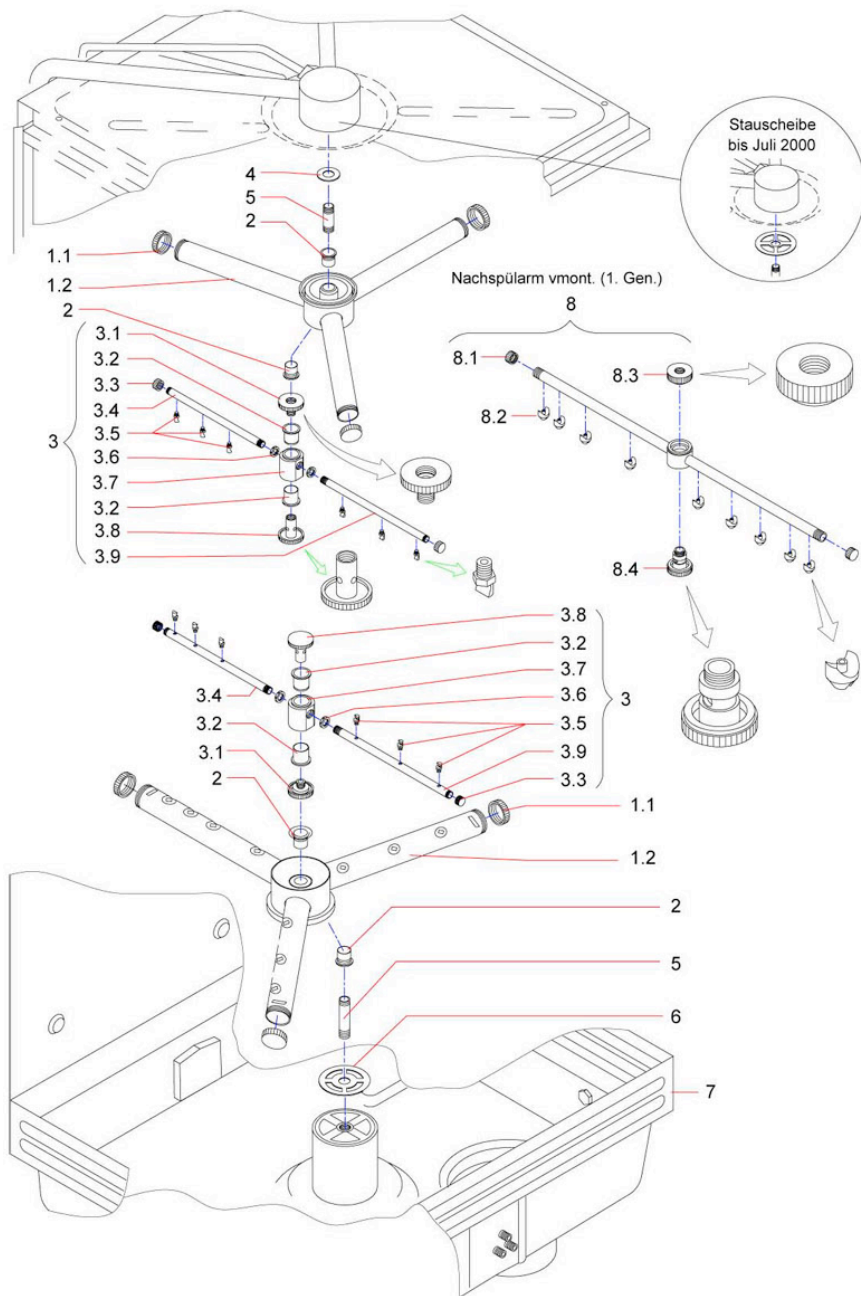
Pos.	Description	Article
1	stand pipe	335665
2	pump strainer	333182
3	stand pipe valve	297003
4.1	hex head screw	339814
4.2	seal D6X10X1.5	251232
4.3	serrated lock washer A6.4	006777
4.4	nut M 6	251887
5	intermediate sheet metal	334928
7.1	support left	335789
7.2	surface strainer	334936
7.3	support right	335797
8	o-ring	297259
9	bracket	294446
10	nut M 10x1	054275

electrode, thermostat sensor



Pos.	Description	Article
3.1	electrode cpl.	339830
3.1	electrode cpl.	387983
3.2	crimp nipple	045780
3.3	cap nut	047406
4	remote thermometer	336971
5.1	end screw	007625
5.2	nut R 1/4"	064580
5.3	seal D20XD14X2	046353
6.1	supply adapter	128260
6.2	seal D20XD14X2	046353
6.3	nut R 1/4"	035637
7.1	hose clamp	363162
7.2	hose 4x2	129771

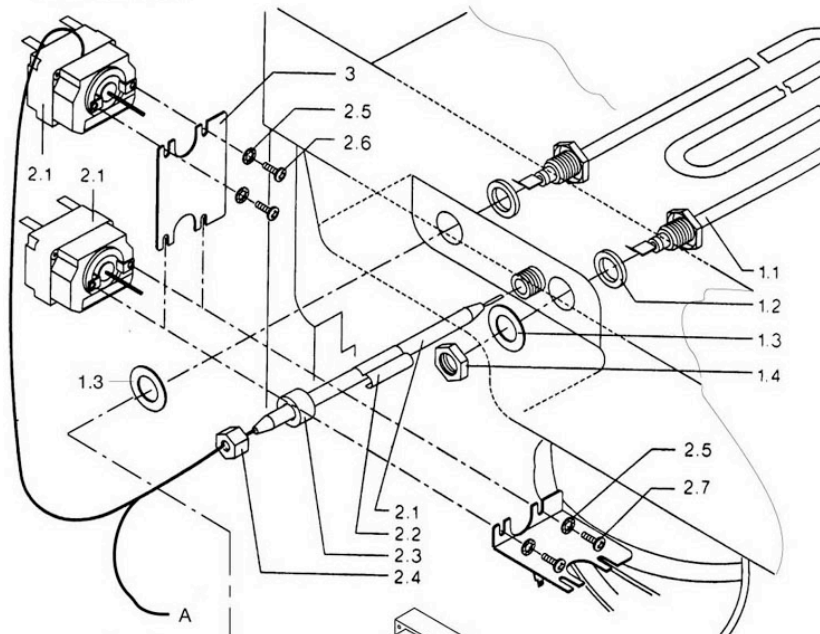
washing and rinsing arms



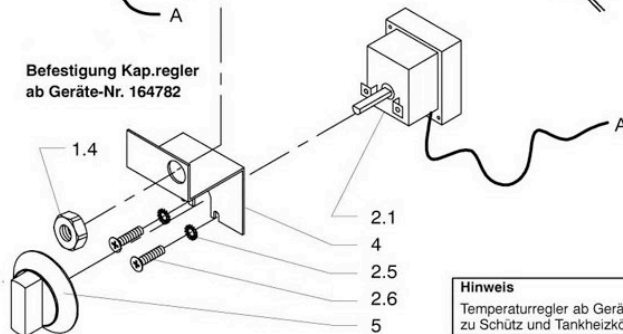
Pos.	Description	Article
1.1	cap closure	152544
1.2	washing arm cpl.	635154
2	bearing bush	635340
3	rinsing arm pre ass.	635170
3.1	knurled screw	384224
3.2	bearing bush	635332
3.3	cap closure	137480
3.4	NACHSPÜLROHR LINKS 243.5LG, AB GERÄTE-NR.101037	
3.5	rinsing nozzle	384186
3.6	hex nut M12X1MM	342238
3.7	rinsing nozzle bearing	384259
3.8	bearing bolt	384216
3.9	NACHSPÜLROHR RECHTS 243.5LG, AB GERÄTE-NR.101037	
4	washer	637467
5	extension	374156
6	pressure dist. top	634581
7	tank bottom	637777
8	Nachspülarm vmont. 480 LG, bis Geräte-Nr. 101037 (1. Gen., ersetzt durch 635170)	
8.1	cap closure	137480
8.2	rinsing nozzle	173304
8.3	knurled nut	334111
8.4	bearing bolt	334103

Befestigung Kap.regler
bis Geräte-Nr. 164782

heating for tank



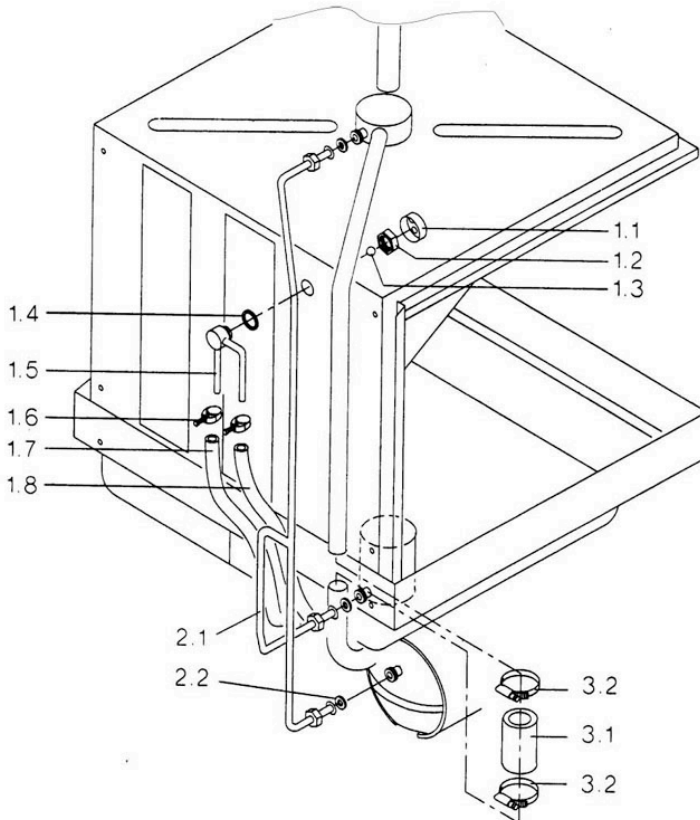
Befestigung Kap.regler
ab Geräte-Nr. 164782



Hinweis
Temperaturregler ab Geräte-Nr. 164782 in Reihe
zu Schütz und Tankheizkörper geschaltet!

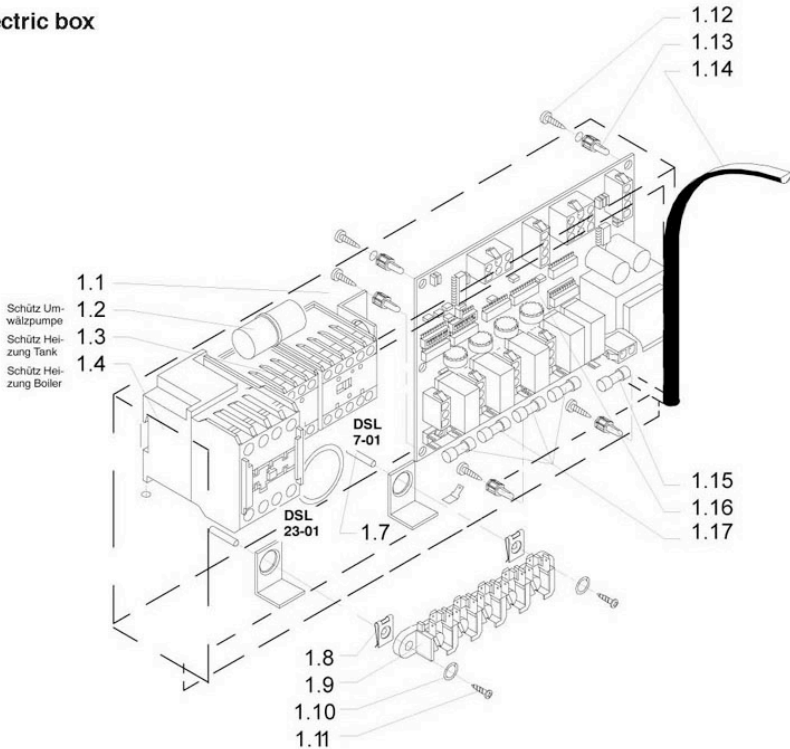
Pos.	Description	Article
1.1	heating element 230V 2500W	233978
1.2	seal	280372
1.3	washer	280364
1.4	nut M 14x1,5	280356
2.1	capillary tube controller	337609
2.2	clamp	374210
2.3	crimp nipple	045780
2.4	cap nut	047406
2.5	toothed washer 4,3	050849
2.6	screw M 4X6	174084
2.7	screw M 4X12	010537
3	bracket	356409
4	angle bracket	378100
5	switch toggle	086533

rinsing conductor



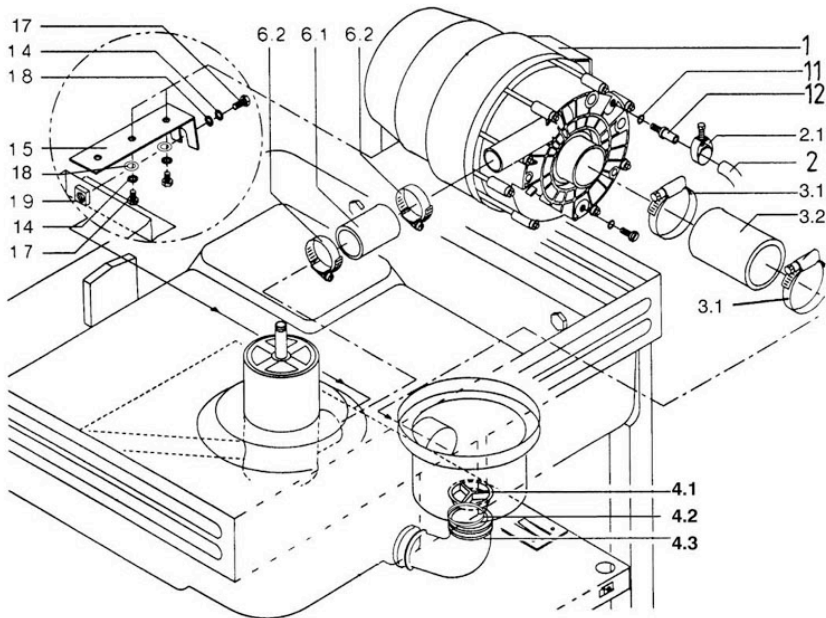
Pos.	Description	Article
1.1	covering cap	342351
1.2	coupling	335258
1.3	ball guard	378534
1.4	sealing ring A24x29x2	337579
1.5	safety device	335355
1.6	hose clamp	276642
1.7	hose 13x3,5	040088
1.8	hose 13x3,5	040088
2.1	rinsing pipe	352721
2.2	sealing ring A14x18x1,5	215813
3.1	hose section	354163
3.2	hose clip	354996

electric box

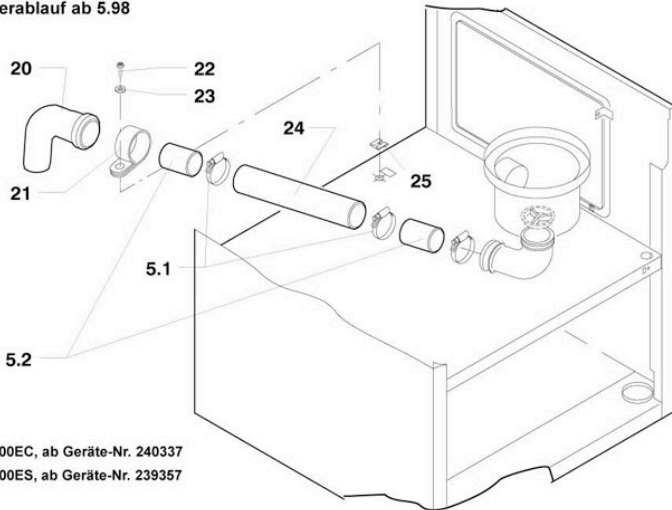


Pos.	Description	Article
	electric box	353094
1.1	electric box	337447
1.2	interference suppression capacitor	637807
1.3	contactor	307491
1.4	contactor	523909
1.7	hose 3x1,5x20	509698
1.8	snap action nut B3.9	227889
1.9	mains connecting block	002186
1.10	washer 4,3	026999
1.11	sheet metal screw	011800
1.12	sheet metal screw	005355
1.13	support	241083
1.14	tesa moll hollow profile	351059
1.15	fine wire fuse 5X20 0,315A	142360
1.17	fine wire fuse 5X20 2AF	074179
1.16	PC board	647632
1.16	PC board	647640
	mains cable	311758
	diaphragm bushing	255351
	PE foil	106399

circulating pump, drain



Wasserablauf ab 5.98

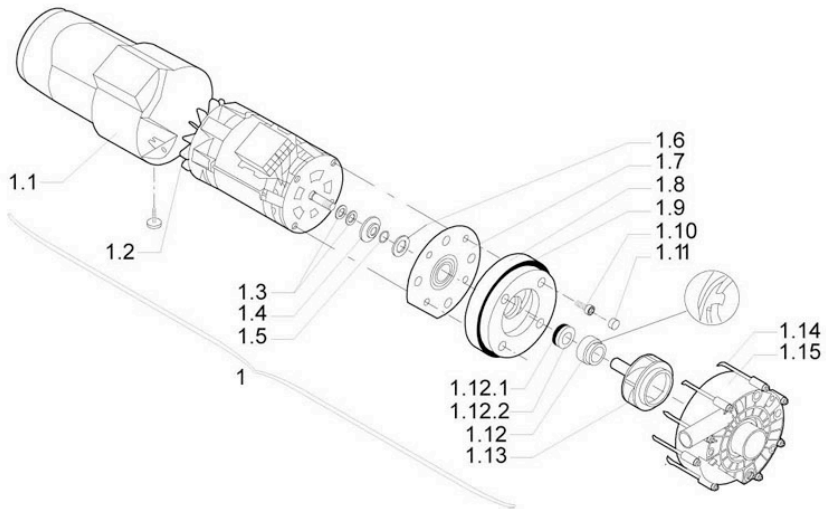


GSP 500EC, ab Geräte-Nr. 240337
 GSP 600ES, ab Geräte-Nr. 239357

Pos.	Description	Article
1	SIEHE KAPITEL "UMWÄLZPUMPEN"!	
2	hose 6x12	175781
2.1	hose clamp	277665
3.1	hose clip	039306
3.2	hose section	339849
4.1	stand pipe valve	297003
4.2	o-ring	297259
4.3	draining hose	339946
5.1	hose clip	039292
5.2	connecting pipe	339903
6.1	EPDM hose	294683
6.2	hose clip	039292
11	o-ring	255823
12	connector	182591
13	screw M 6X20	010731
14	spring lock washer A6	004022
15	angle bracket	339938
17	screw M 6X16	251194
18	washer 6,4	004014
19	captive nut M6	194581
20	90° drain	375497
21	cable clip	019461
22	sheet metal screw	037508
23	washer 4,3	001007
24	draining hose	679615
25	snap action nut B3,9	227889

circulating pump 2nd generation

Umwälzpumpe bis Geräte-Nr. 135026

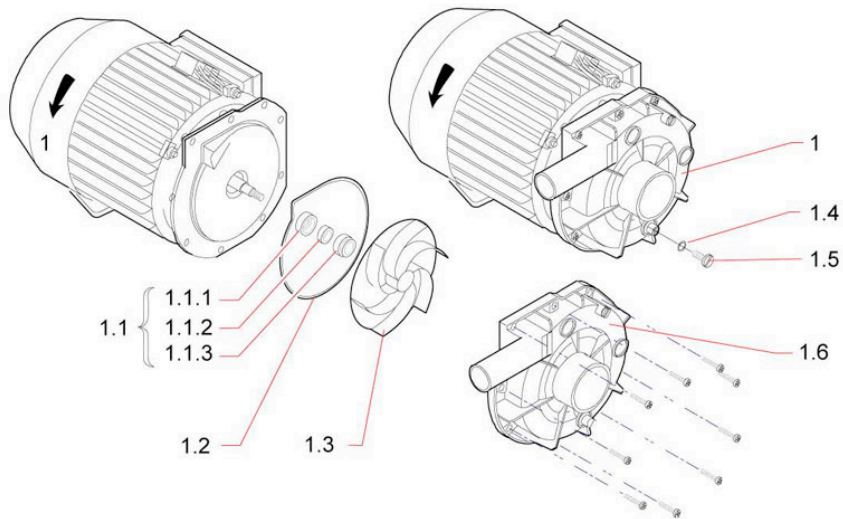


Pos.	Description	Article
1	KREISELPUMPE D.93, 230VAC/50 HZ (1987-1996) BIS GER-NR. 135026	
1.1	protective hood centrifugal pump	101893
1.2	fan motor	167045
1.3	U-SCHEIBE	
1.4	motor splash disc	167002
1.5	o- ring seal 8X1	166979
1.6	splash ring pump	166995
1.7	finishing disc	167010
1.8	cover f. pump	166871
1.9	o-ring seal 144X4	166952
1.10	allen head screw M8x20	265225
1.11	rubber stopper	167029
1.12	friction seal	166987
1.12.1	RUNDDICHTRING 19X3	
1.12.2	GEGENRING MAT. KERAMIK	
1.13	impeller dishwashing pump	166944
1.14	set of hook screws	167037
1.15	pressure casing pump	166936

circulating pump 3rd generation

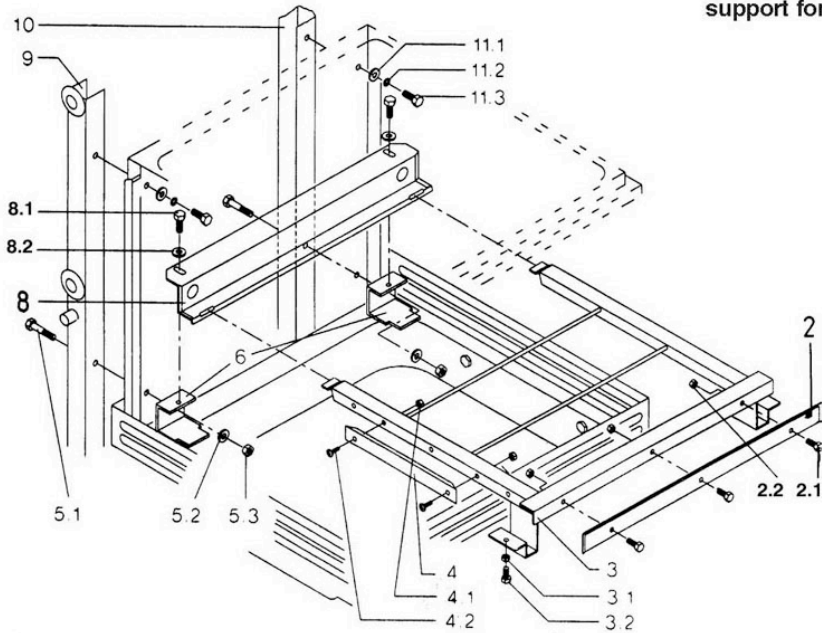
GSP EC 500, Typ 354392: ab Geräte-Nr. 132960

GSP ES 600, Typ 353167: ab Geräte-Nr. 135026



Pos.	Description	Article
1	circulating pump	645486
1.1	friction seal	645567
1.1.1	RUNDDICHTUNG	
1.1.2	GEGENRING	
1.1.3	GLEITRINGDICHTUNG	
1.2	seal pressure housing	645532
1.3	impeller dishwashing pump D103 (since machine number 359514, 11.2000)	728853
1.4	o-ring	255823
1.5	screw M 6x10	373303
1.6	pressure casing	679623
	bracket detergent pump	137588

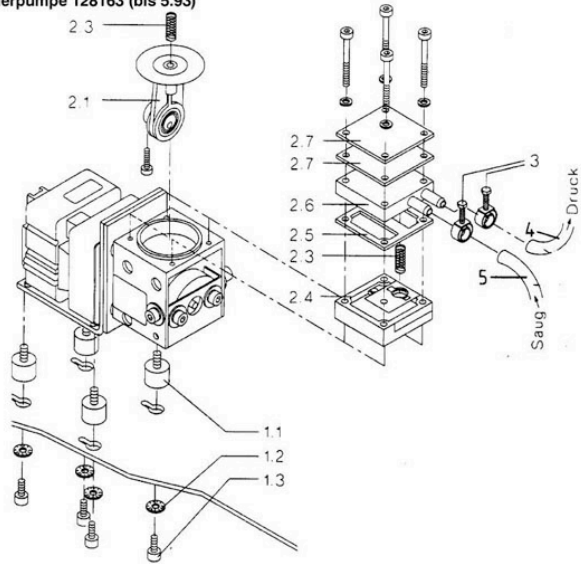
support for dish rack



Pos.	Description	Article
2	rail rack support D	353906
2.1	screw M 6X10	251836
2.2	nut M 6	251887
3	support f. basket	353922
3.1	nut M 8	012157
3.2	screw M8X16	257478
4	rail	354236
4.1	nut M 4	003905
4.2	screw M 4X10	010502
5.1	screw M 8X60	352799
5.2	serrated lock washer A8.4	012564
5.3	nut M 8	012157
8	bracket rack support	352217
8.1	screw M8X16	257478
8.2	serrated lock washer A8.4	012564
9	guide rail right	354805
10	guide rail left	352764
11.1	washer 6,4	000582
11.2	serrated lock washer A6.4	006777
11.3	screw M 6X16	251194
6	U bolt holder	352209

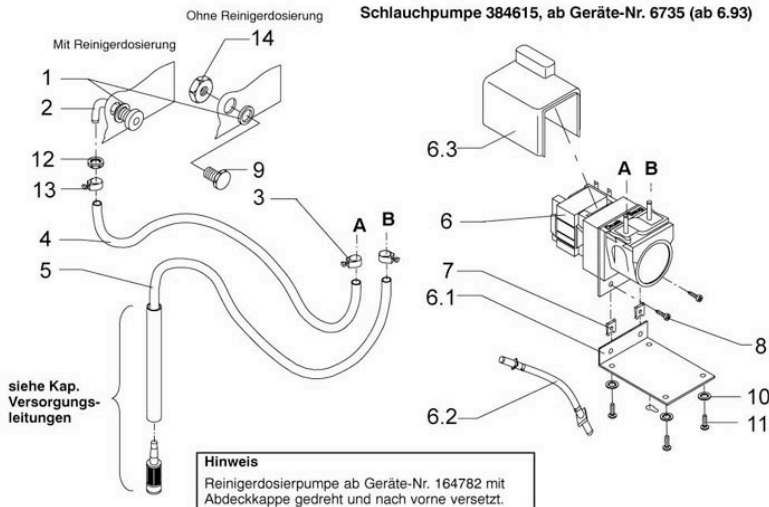
detergent metering device till 5.93

Reiniger Dosierpumpe 128163 (bis 5.93)



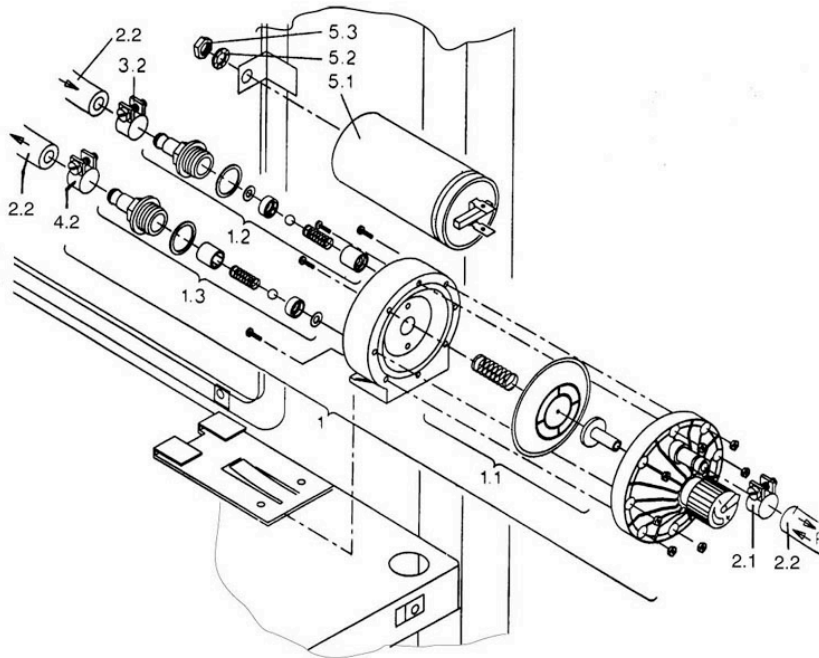
Pos.	Description	Article
1.1	vibration absorber	164763
1.2	serrated lock washer M 4A	012548
1.3	screw M 4X8	001015
2.1	connecting rod	131911
2.3	pressure spring	132594
2.4	pump support	131849
2.5	seal teflon	132101
2.6	pump head	131903
2.7	cover	132160
3	hose clamp	276626
4	hose 4x2	129771
5	hose 4x2	129771

detergent metering device since 6.93



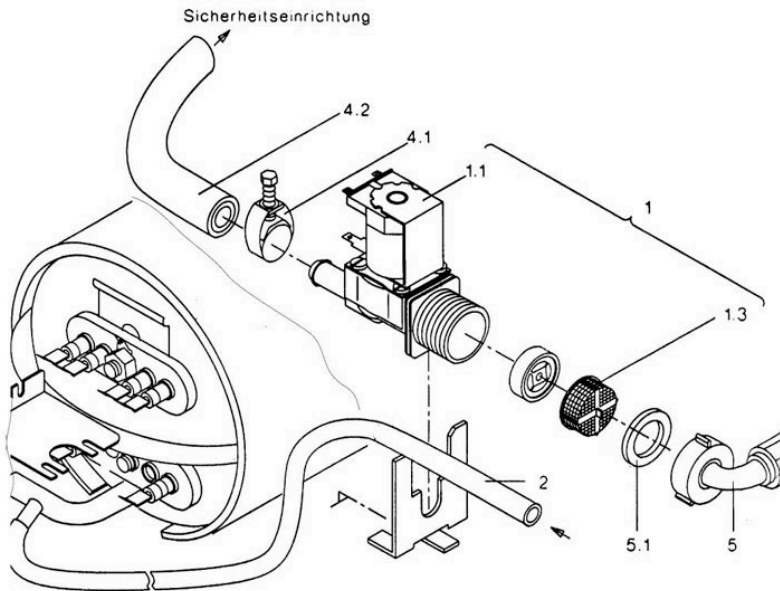
Pos.	Description	Article
1	seal D20XD14X2	046353
2	supply adapter	128260
3	hose clamp	363162
4	pressure hose	148253
5	suction hose	148261
6	hose pump SR25	384615
6.1	angle	385328
6.2	hose	385344
6.3	cover	385352
7	snap action nut 3,9	227889
8	sheet metal screw	031720
9	end screw	007625
10	toothed washer 4,3	050849
11	screw M 4X8	001015
12	nut R 1/4"	035637
13	hose clamp	363162
14	nut R 1/4"	064580

metering hopper



Pos.	Description	Article
	metering hopper N8 pre-ass.	375152
1	metering hoppere N8	375160
1.1	diaphragm	127353
1.2	suction valve	312282
1.3	pressure valve	312274
2.1	hose clip	268836
2.2	hose 6x12	175781
3.2	hose clip	268836
4.2	hose clip	268836
5.1	motor capacitor	647853
5.1	motor capacitor	174351
5.2	serrated lock washer A8.4	012564
5.3	nut M 8	012157

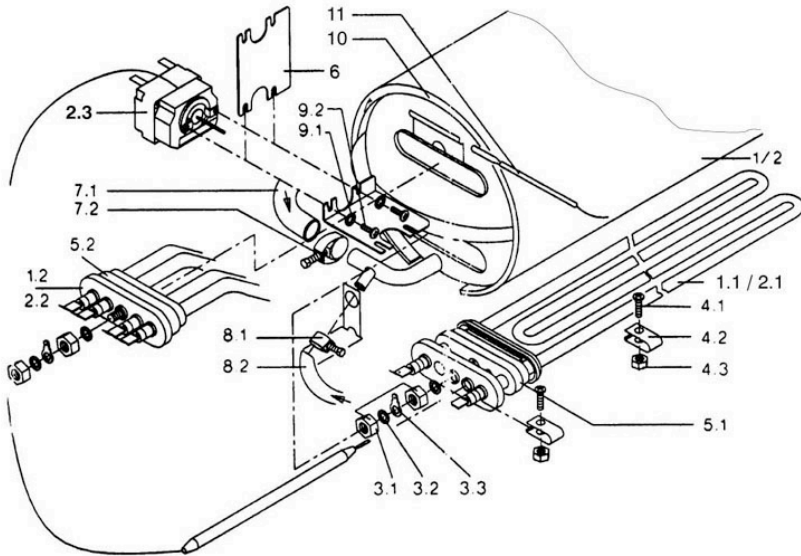
water supply



Pos.	Description	Article
1	single solenoid valve	334944
1.1	magnetic component	297313
1.3	filter	324353
2	hose 6x12	175781
4.1	hose clamp	276642
4.2	hose 13x3,5	040088
5	braided hose	727873
5.1	seal 16X24X2	050016

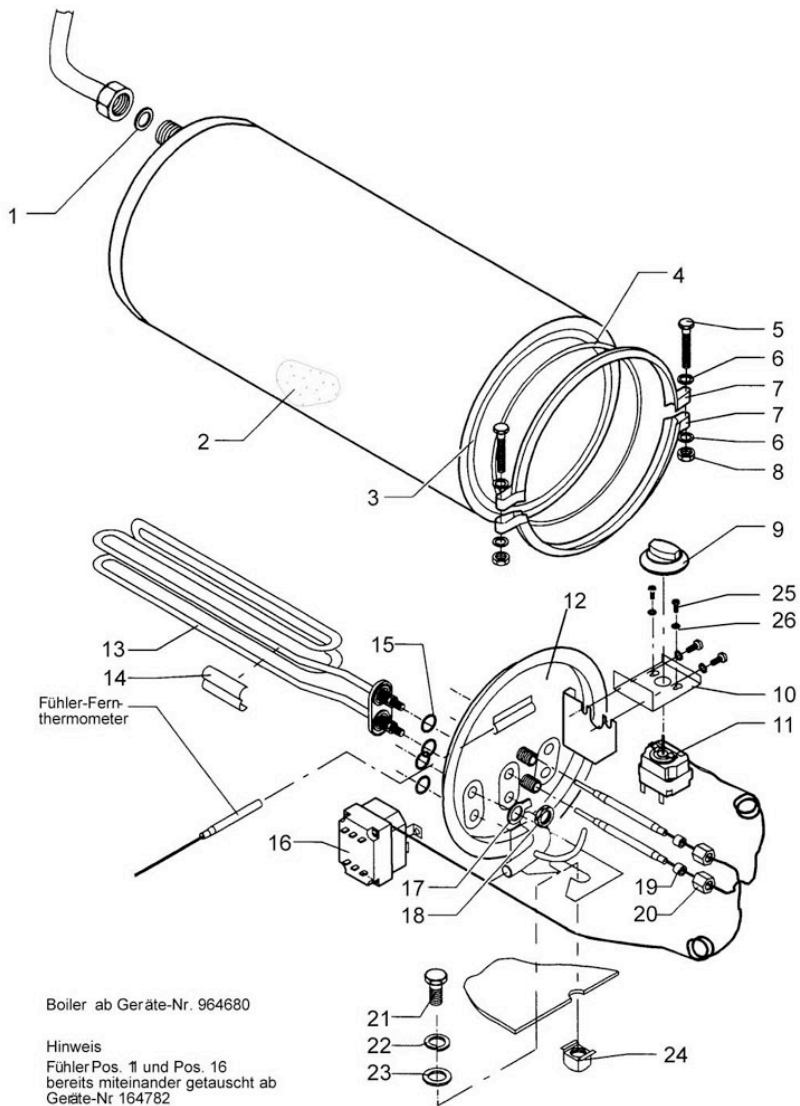
boiler 1st generation

bis Geräte-Nr. 964680



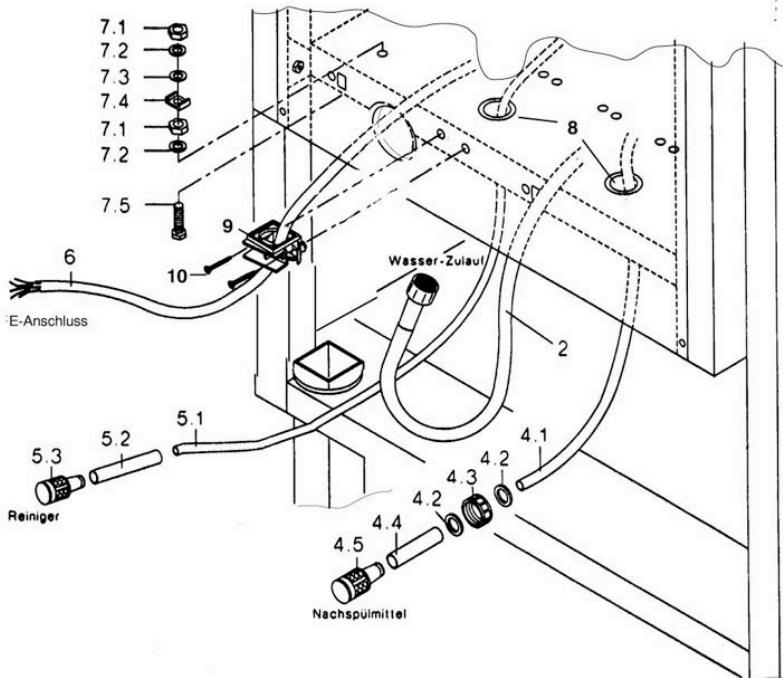
Pos.	Description	Article
1.1	heating element 230V 3000W	350206
1.2	heating element 230V 2x2300W	350192
2.1	heating element 230V 2500W	350214
2.2	heating element 230V 2x 2000W	350176
2.3	capillary tube controller	337609
2.3	switch toggle	086533
3.1	nut M 6	251887
3.2	spring lock washer A6	004022
3.3	tab connector 6,3x0,8	351326
4.1	screw M 4X12	010537
4.2	clip	071560
4.3	nut M 4	003905
5.1	flange gasket	351555
5.2	flange gasket	332054
6	bracket	356409
7.1	hose 13x3,5	040088
7.2	hose clamp	276642
8.1	hose clamp	277665
8.2	hose 6x12	175781
9.1	spring lock washer A4	001023
9.2	screw M 4X12	010537
10	insulation	339970
11	remote thermometer	336971
	bracket	381209

boiler 2nd generation



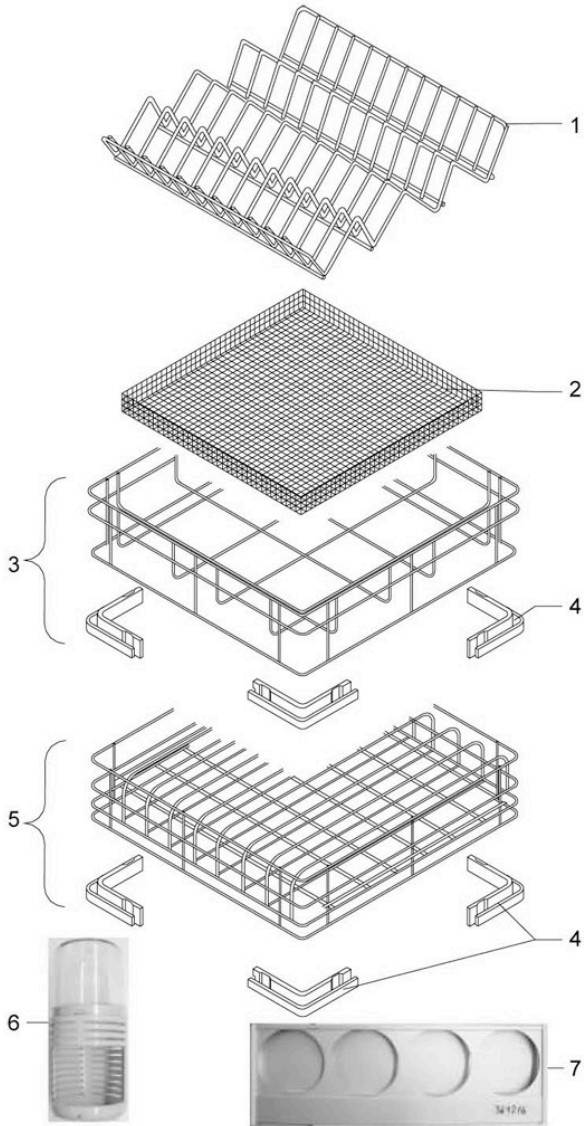
Pos.	Description	Article
	boiler pre-ass.	378178
	boiler pre-ass. 9 KW	378186
1	sealing ring A14x18x1,5	215813
2	insulation	374229
3	boiler cpl.	374202
4	o-ring	335770
5	screw M 6X60	089958
6	washer 6,4	004014
7	latch fastener	673269
8	nut M 6	251887
9	switch toggle	086533
10	bracket	381209
11	capillary tube controller	337609
12	boiler lid cpl.	378313
13	heating element 230V 2500W	378216
13	heating element 230V 2kW	378577
13	heating element 230V 3kW	378585
14	clamp	374210
15	o-ring	378674
16	safety thermostat	294020
17	tab connector 6,3x0,8	241210
18	hex nut M12X1MM	342238
19	crimp nipple	045780
20	cap nut	047406
21	screw M 6X10	251836
22	serrated lock washer A6.4	006777
23	washer 6,4	000582
24	captive nut M6	194581
25	screw M 4X6	174084
26	toothed washer 4,3	050849

machine connections



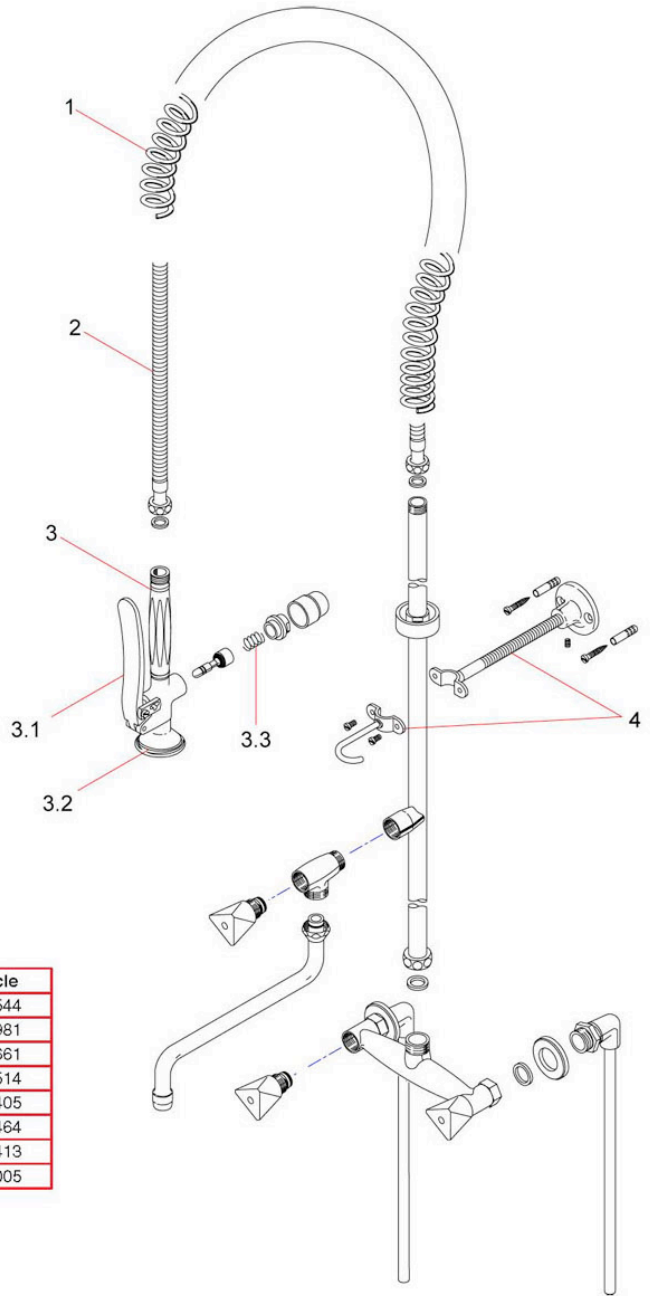
Pos.	Description	Article
2	braided hose	727873
4.1	hose 6x12	175781
4.3	canister	077542
4.4	PVC tube length 300	106054
4.5	suction strainer	079197
5.1	hose 4x2	129771
5.2	PVC tube length 300	106054
5.3	suction strainer	079197
6	mains cable	311758
7.1	nut M 6	251887
7.2	serrated lock washer A6.4	006777
7.3	washer 6,4	004014
7.4	terminal bracket	223697
7.5	screw M 6X20	010731
8	diaphragm bushing	232963
9	clamp	248002
10	sheet metal screw	248703

basket, documentation, cable



Pos.	Description	Article
1	insert for 20 cups	172901
2	cutlery insert	172898
3	basic basket	079908
4	slide rail	295388
5	plate rack	337390
6	cutlery cylinder	361208
7	cassette f. cylinder	361216
	- DOKUMENTATION -	
	operating instructions	353132
	users instructions dishwasher 500/600 eng.	394394
	users instructions dishwasher 500/ 600 fr	368237
	mounting instruction	363863
	mounting instructions dishwashing table	372544
	Palux care instructions	276766
	adhesive label	639672
	- KABEL -	
	cable harness	359173
	cable harness	359440
	cable harness	358703
	cable harness	340944
	cable cpl.	289019
	cable cpl.	315745
	cable cpl.	359432
	cable cpl.	169072
	cable cpl.	062944
	connecting cable	341614
	cable harness	359084
	mains cable	311758
	cable cpl.	122564
	cable cpl.	122556

shower gun for GSP 500/600/700



Pos.	Description	Article
1	spring f. spray	100544
2	hose 1000mm	104981
2	sprinkling tube 1/2	730661
3	hand piece w. sprinkler rose	107514
3.1	handle	085405
3.2	sprinkling rose R 3/8"	085464
3.3	spring	085413
4	wall bracket	036005