

**Ersatzteilkatalog**

**Spare parts list**

## **PALUX Topline Thermik**

**Topline Vario Bräter plus GN 2/1 U**

(2. Generation)



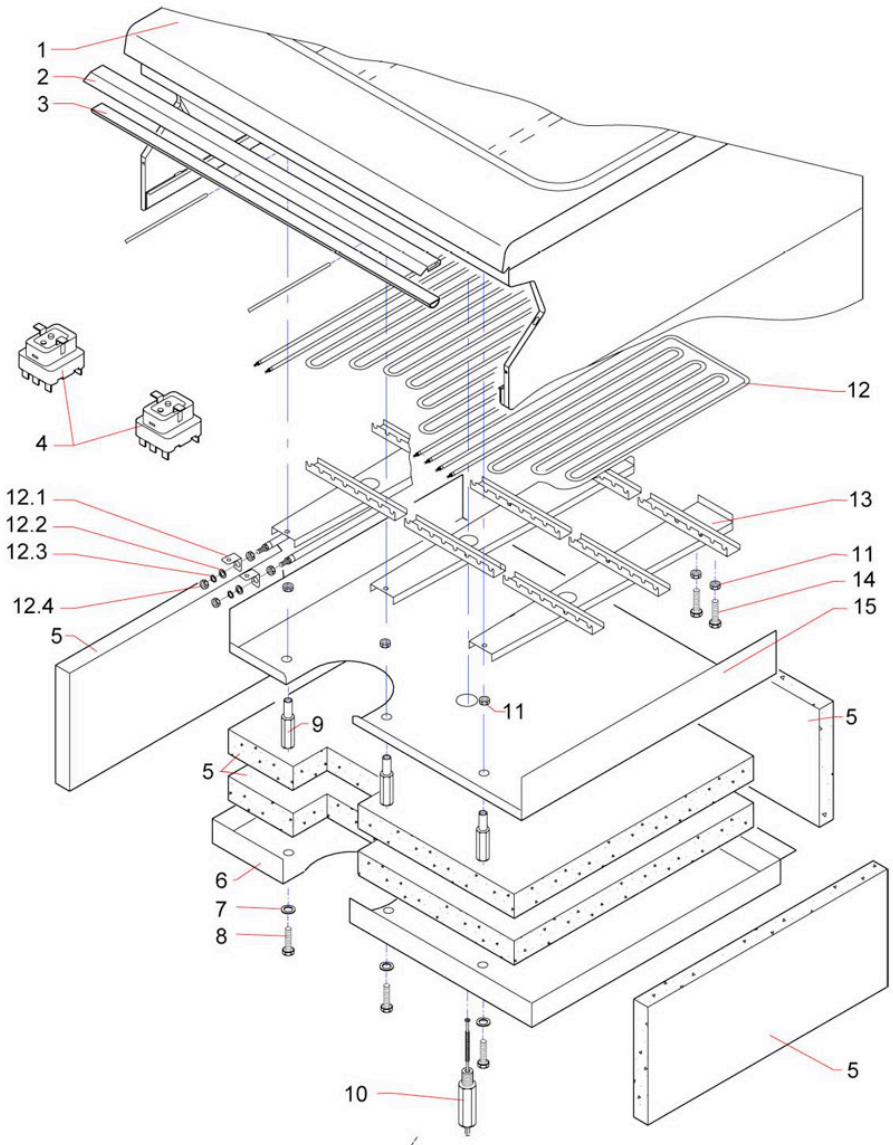
**Dieser Ersatzteilkatalog ist gültig**

- für Geräte ab Baujahr 2000

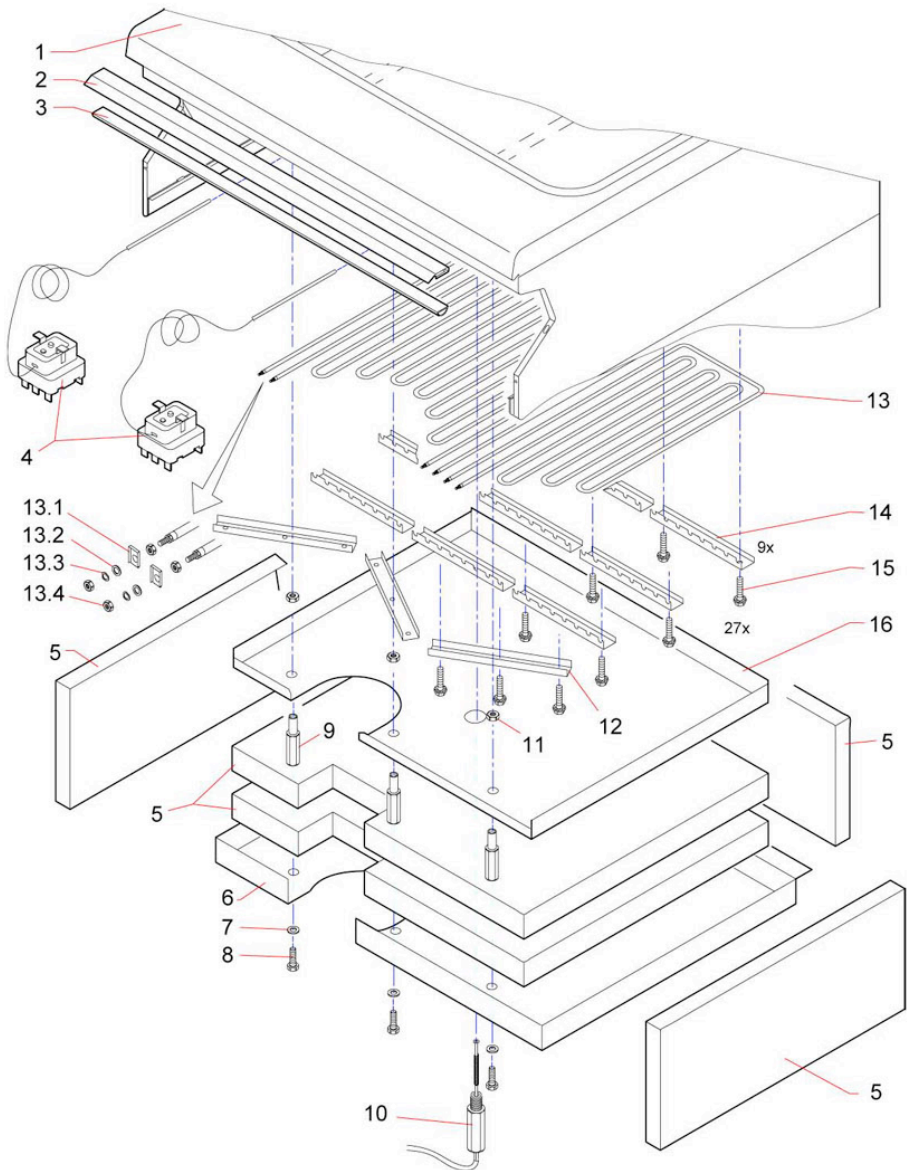
**Typenübersicht**

144819 Vario Bräter plus U 13,5kW 400 V 3N

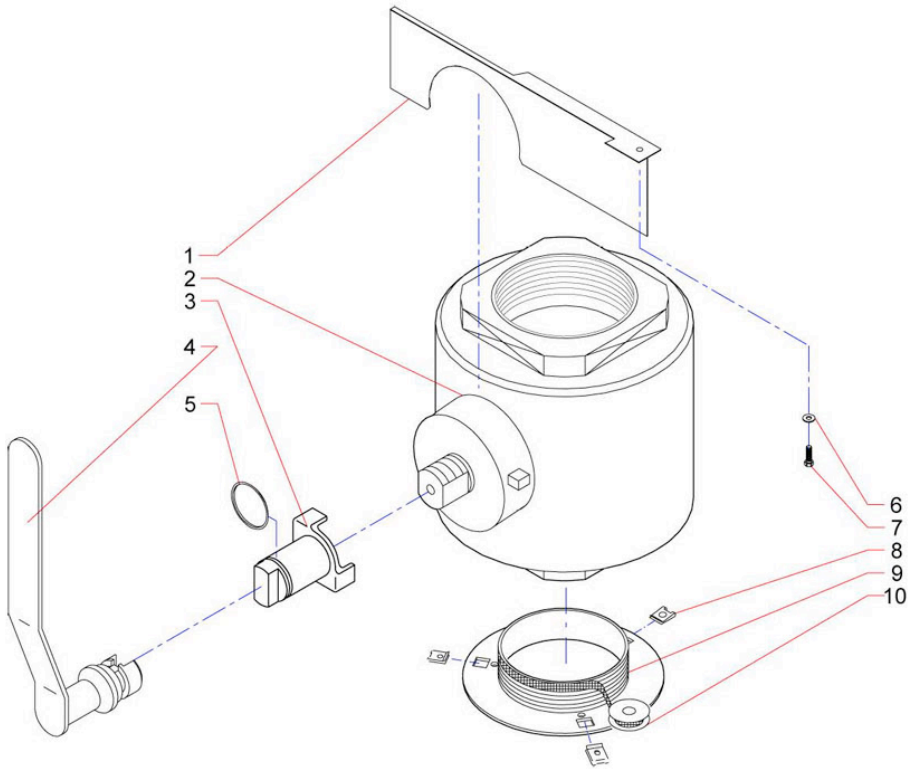
739960 Vario Bräter plus U 230 V 3

**housing, heating element, thermostate (till 3.2005)**

Pos.	Description	Article
1	casing vario pan plus	141313
2	sealing bar 800	619051
3	seal profil	374407
4	capillary tube cont. STB	502537
5	insulation cuttied set	660957
6	cover for insulation	614483
7	washer 6,4	004014
8	screw M 6x20	614068
9	distance bolt	615129
10	thermocouple	627836
11	nut M 6 DIN 439	000752
12	heating element	637785
12.1	Anschlußfahne	
12.2	washer A4,3 DIN 125	
12.3	corugated spring lock washer	
12.4	nut M4 DIN 934	
13	pressure frame	638048
14	screw M 6X30	301396
15	protection facility	638064

**housing, heating element, thermostate (since 3.2005, since mach-no. 387239 )**

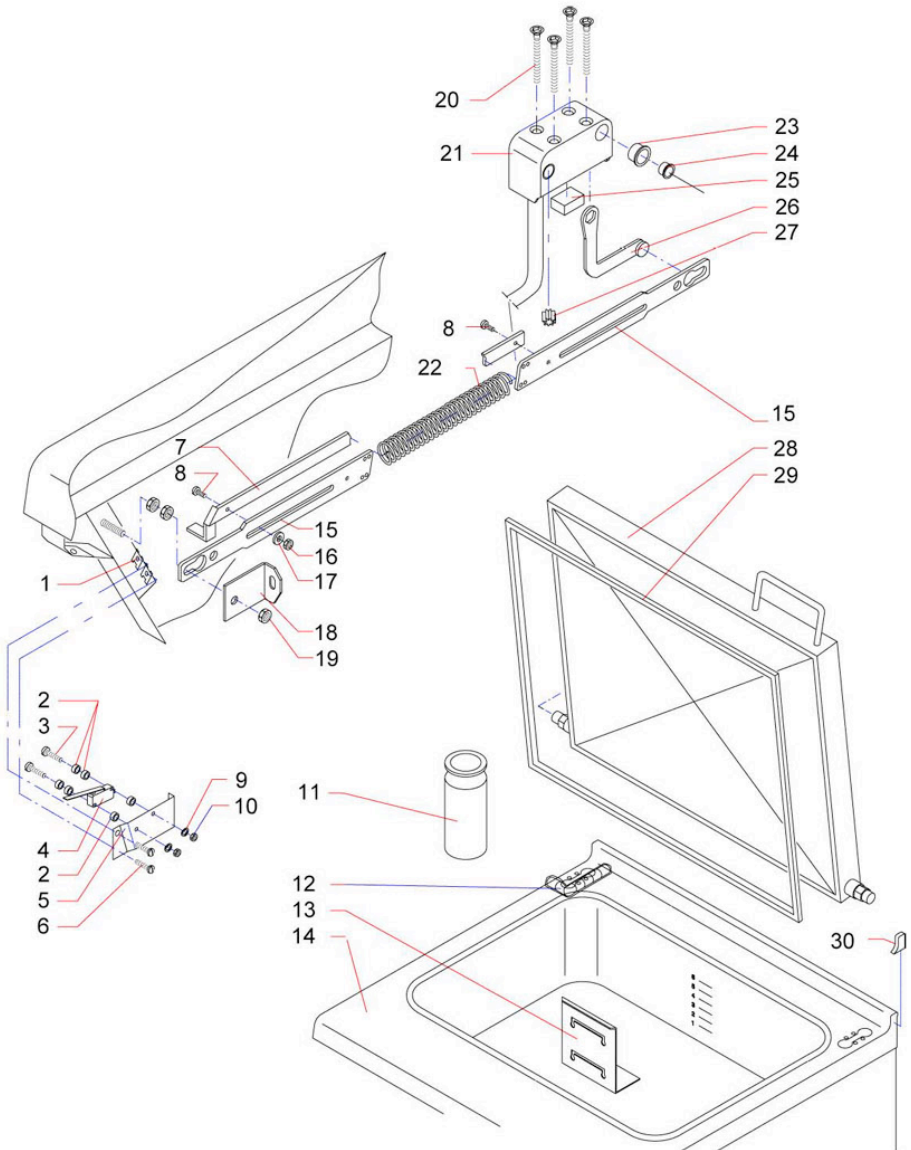
Pos.	Description	Article
1	casing vario pan plus cpl.	864358
2	sealing bar 800	619051
3	seal profil	374407
4	capillary tube cont. STB	502537
5	insulation cuttied set	660957
6	cover for insulation	869694
7	washer 6,4	004014
8	screw M 6x20	614068
9	distance bolt	615129
10	thermocouple	627836
11	nut M 6 DIN 439	000752
12	bracket front	869384
13	heating element	637785
13.1	Anschlußfahne	
13.2	washer A4,3 DIN 125	
13.3	corugated spring lock washer	
13.4	nut M4 DIN 934	
14	bracket	516422
15	self locking screw M6x30	866121
16	protection facility	869686

**ball valve (drain off)**

Pos.	Description	Article
1	antirotation device	643149
2	ball tap	710474
3	shaft	710458
4	operating lever	311634
5	o-ring	399434
6	washer 6,4	004014
7	screw M 6x20	614068
8	snap action nut B3.9	227889
9	pipe socket	304670
10	sealing tape 12mm	00538*

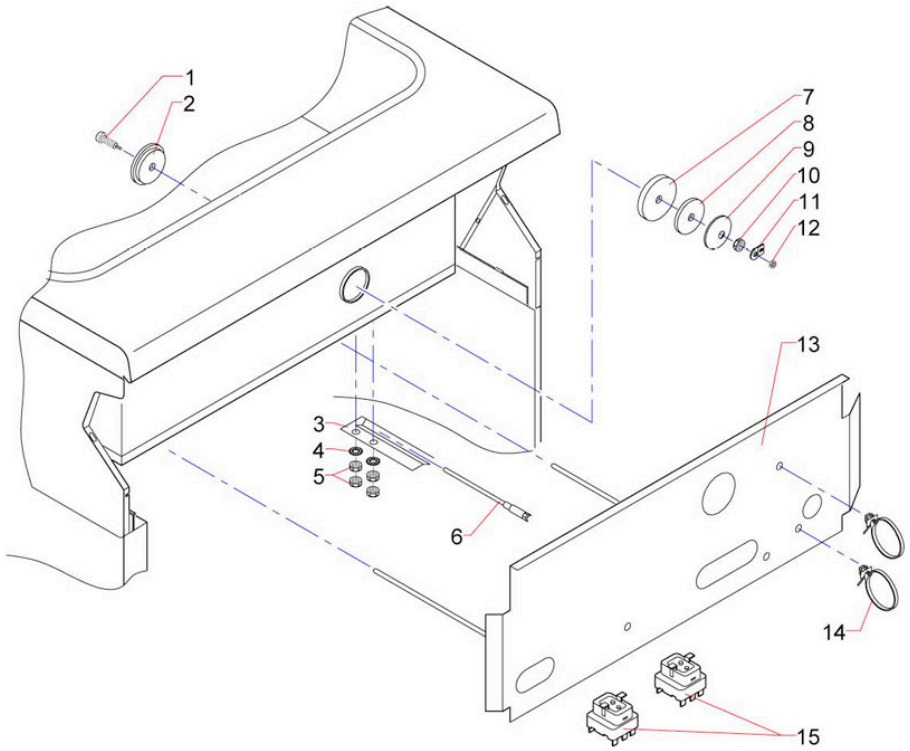


cover with closing mechanics



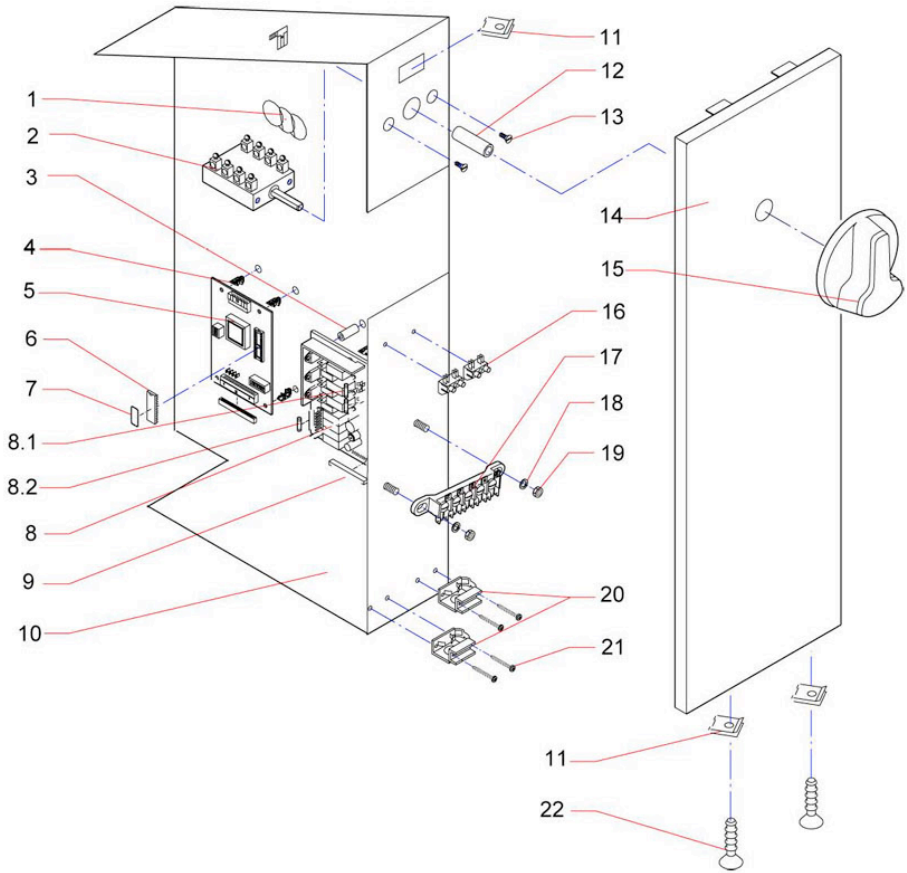
Pos.	Description	Article
1	snap action nut B3.9	227889
2	insulation bushing	682233
3	screw M 3X25	010480
4	micro switch	680907
5	angle bracket	637424
6	sheet metal screw	000442
7	operating lever	637416
8	screw M 4X10	010502
9	spring lock washer A3	000418
10	nut M 3	000396
11	drainage plug big	337684
11	drainage plug for Topline Vario Pan	502073
12	silicone FD plast / 310ml Alu	628034
13	insertable plate	613150
13	insert strainer (since 3.2005, since mach.no. 387239)	866180
14	top part (till 3.2005)	141720
14	top part (since 3.2005, since mach.no 387239)	864358
15	spring shackle	613738
16	nut M4 self securing	302627
17	washer 4,3	001007
18	angle bracket	166480
19	nut M 6 DIN 439	000752
20	screw M5 x 70	613290
21	bearing block left	613894
21	bearing block right	613908
21	water inlet block	648299
22	tension spring	621994
23	friction bearing	613274
24	bearing bush	618403
25	stop	615234
26	spring bow	613371
26	spring bow	613320
27	perlator star	289108
28	lid cpl. (since 2.2001, machine number 368571)	730386
28	lid cpl. (till 2.2001)	610372
29	sealing frame (for lit 610372, till 2.2001)	613789
30	sealing plate	648094

sensors



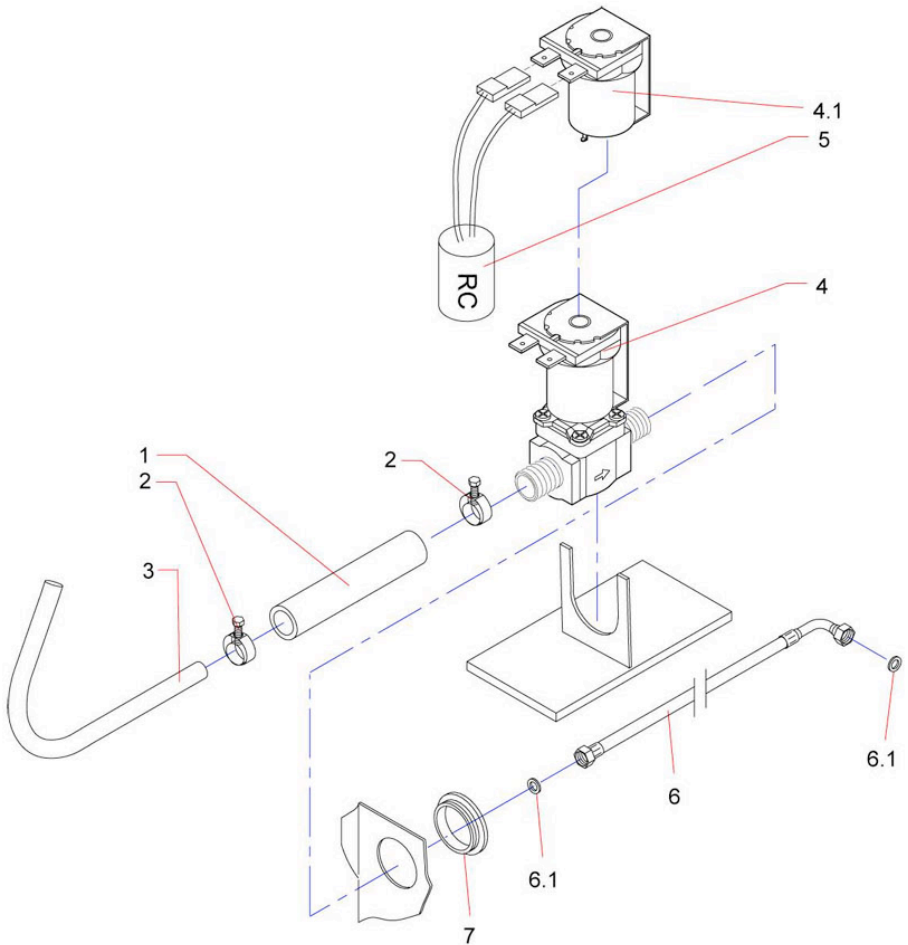
Pos.	Description	Article
1	sensor water level	648051
2	support disc f. sensor	648078
3	elbow support	614076
4	serrated lock washer M 4A	012548
5	nut M 5	252867
6	casing thermoelement	613134
7	counter disc f. sensor	614203
8	washer	615269
9	spring for plate	648086
10	nut M 6	251887
11	tab connector 2,8	019321
12	nut M 3	000396
13	cover (till 3.2005)	638803
13	cover (since 3.2005, since mach-no. 387239)	869716
14	armature clamp detachable	388017
15	capillary tube cont. STB	502537
	screw M 4X8	001015
	spring lock washer A4	001023
	spacer sleeve	603627

electrical box, cables



Pos.	Description	Article
1	cable cpl.	648337
1	varistor cpl.	648329
2	main switch	291722
3	spacer	603228
4	spacer	609986
5	CPU Pcb electro static tested	634395
6	EPROM pre programmed	628182
7	UV program securing	620122
8	power supply board	634409
8.1	fine wire fuse 5X20 0,8AF	048208
8.2	fine wire fuse 5X20 2,0AT	190756
9	flat cable	614769
10	electric box	144789
11	snap action nut B3.9	227889
12	hose section	632236
13	screw M 4 x 6	014087
14	cover base cabinet	144762
15	toggle	393800
16	plug in strip	070858
17	mains connecting block, bolt mounting (till appr. 10.2004)	002186
18	washer 4,3	001007
19	nut M 4	003905
20	clamp	248002
21	sheet metal screw	248703
22	sheet metal screw 3.9X13	018333
	cable cpl.	024252
	cable harness	354562
	cable harness	354732
	cable cpl.	502472
	flat cable	614769
	cable harness	621862
	cable harness	628603
	cable cpl.	648337

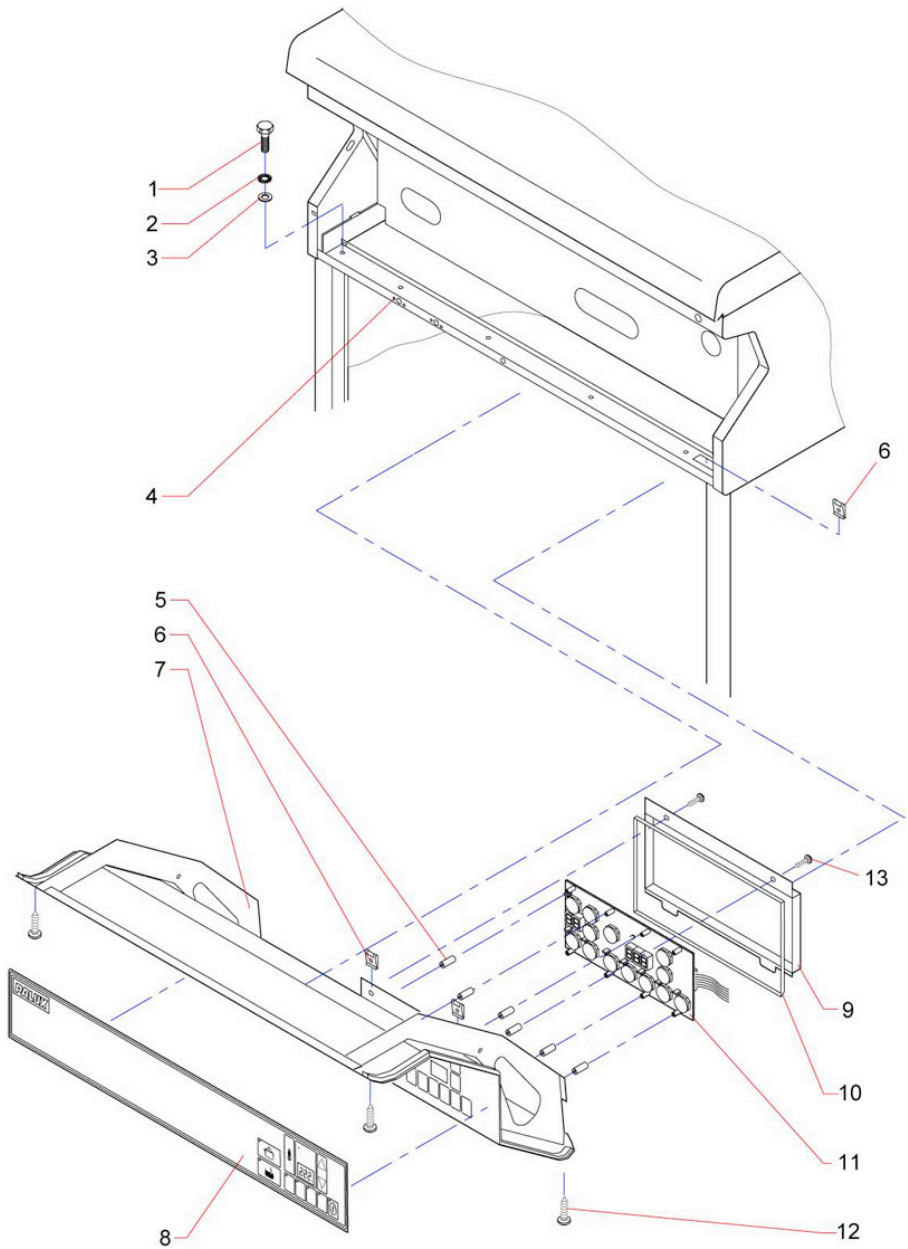
## water supply



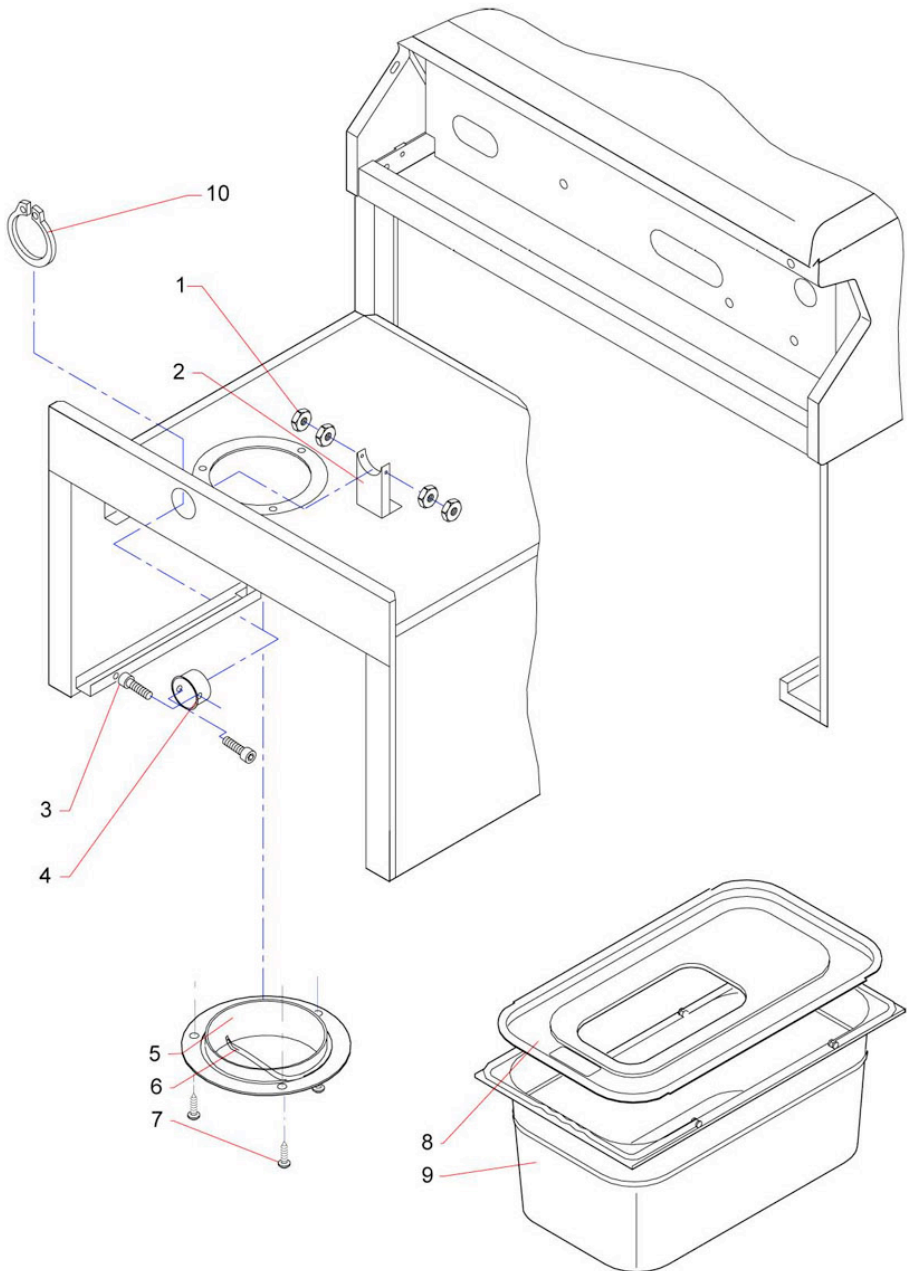
Pos.	Description	Article
1	hose 12x18,5	272159
2	hose clamp	276634
3	water inlet block	648299
4	single solenoid valve	334944
4.1	magnetic component	297313
5	interference suspression capacitor	288861
6	braided hose	727873
6.1	seal 16X24X2	050016
7	snap fitting	140937



operator panel



Pos.	Description	Article
1	screw M 6X30	301396
2	serrated lock washer A6.4	006777
3	washer 6,4	004014
4	elbow bottom	144746
5	spacer sleeve	648418
6	snap action nut B3.9	227889
7	front panel cpl.	141941
8	control keypad	396362
9	cover sheet	648175
10	silicone foam profile joint	604151
11	keyboard	613142
12	sheet metal screw	263109
13	sheet metal screw	150622

**Module, accessories**

Pos.	Description	Article
1	nut M 4	003905
2	rotary guard	365033
3	cylinder screw M4x8A2 DIN 912	653888
4	support bushing	365181
5	covering glass	304689
6	sealing tape 12mm	00538*
7	sheet metal screw	150622
8	lid 1/1 perforated	615196
9	container GN 1/1 - 200 mm deep	607207
10	retaining ring	502340
11	plug in module	144231
	discharging wagon	354554
	appliance connection	696439
	users instructions pan plus D	362573
	users instructions pan plus D	728551
	adhesive label	217360
	adhesive label	311650
	adhesive label	621382
	adhesive label	621870