

Ersatzteilkatalog

Spare parts list

PALUX Topline Thermik

Topline Vario Bräter plus GN 2/1

(1. Generation)



Dieser Ersatzteilkatalog ist gültig

- für Geräte ab Baujahr 1994 bis ca. 2000

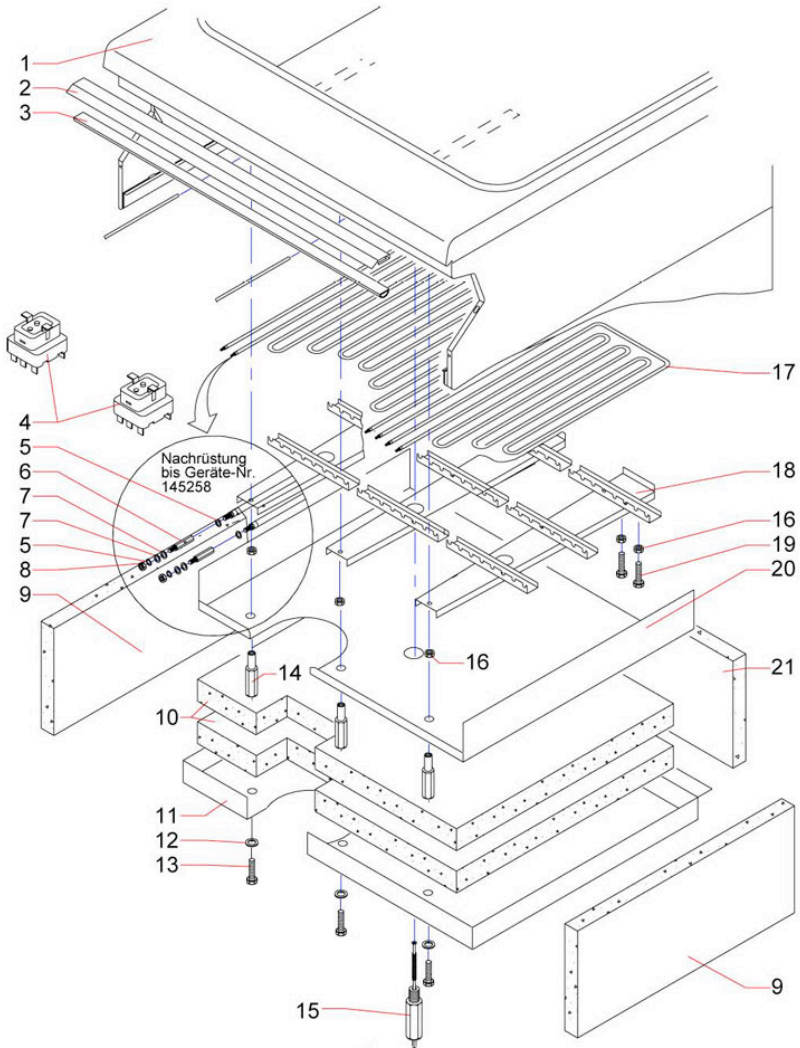
Typenübersicht

516678 Vario Bräter plus 13.5 kW 400V AC 3N

639087 Vario Bräter plus 13.5 kW 230V AC 3

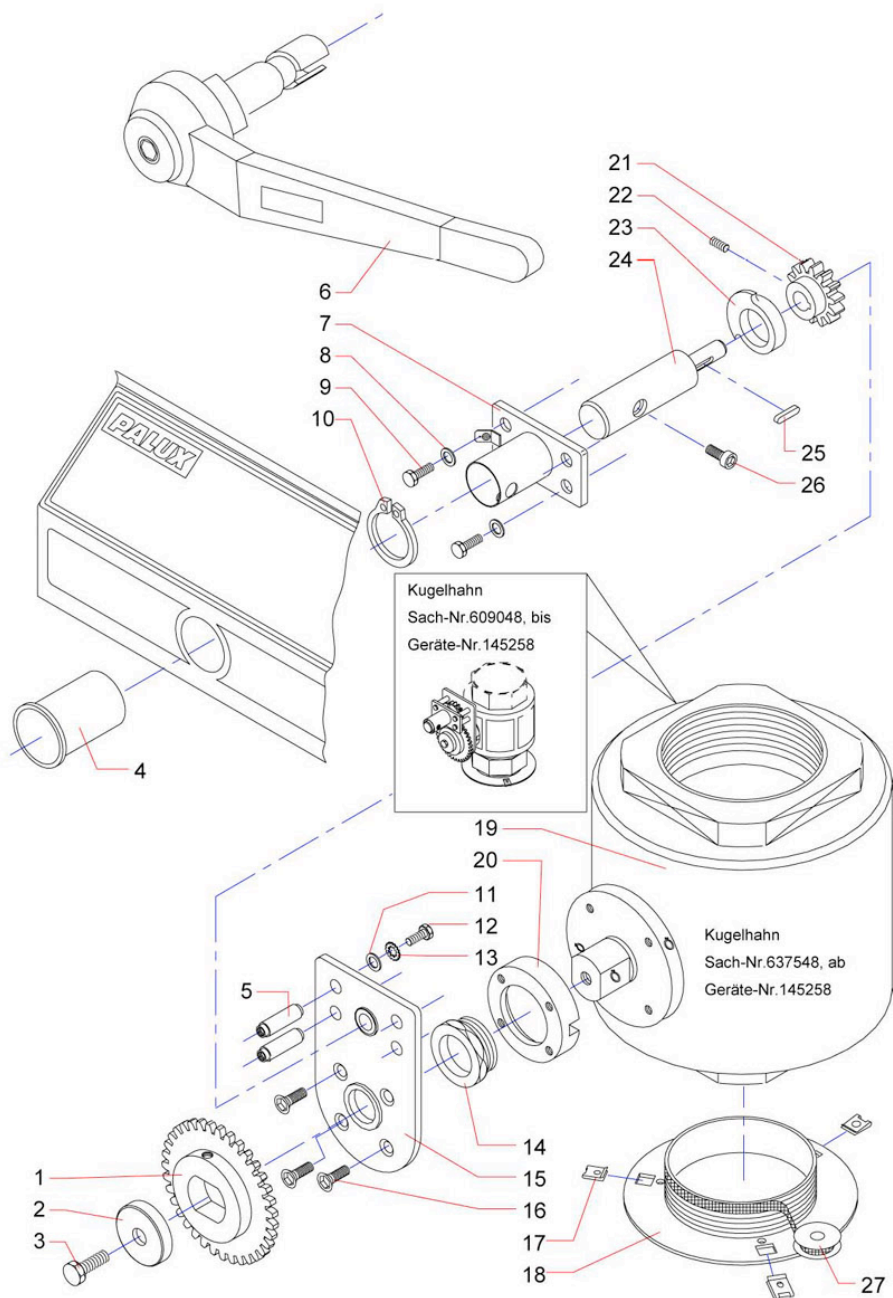
699063 Vario Bräter plus mit Hygiene-Unterbau (i.B. Stand: 23.3.99) 13.5 kW 400V AC 3N

housing, heating element, thermostat



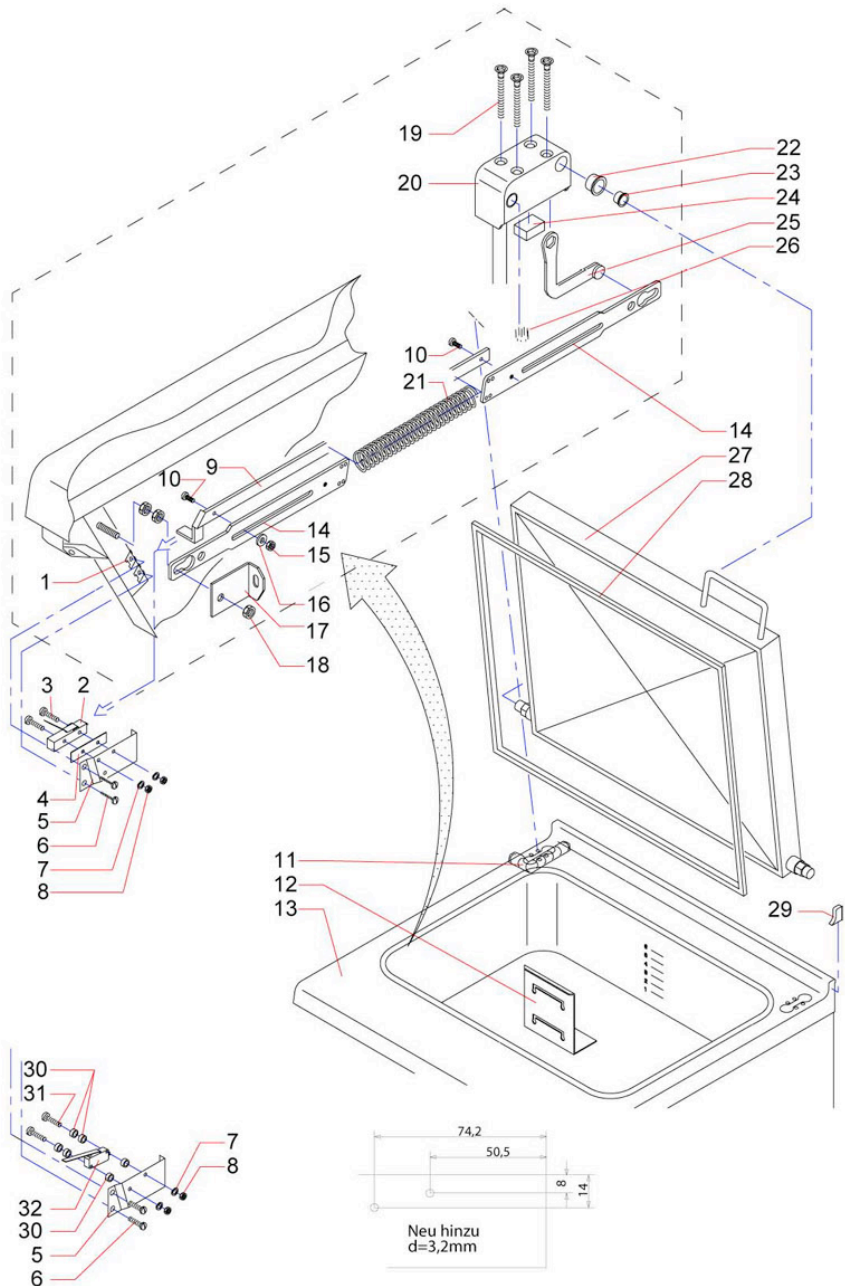
Pos.	Description	Article
1	casing vario pan plus	609110
2	sealing bar 800	619051
3	seal profil	374407
4	capillary tube cont. STB	502537
5	spring lock washer A4 (till machine number 145258)	001023
6	extension piece (till machine number 145258)	648280
7	washer 4,3 (till machine number 145258)	001007
8	nut M 4 (till machine number 145258)	003905
9	heat insulation plate	180890
10	heat insulation plate	180882
11	cover for insulation	614483
12	washer 6,4	004014
13	screw M 6x20	614068
14	distance bolt	615129
15	thermocouple	627836
16	nut M 6 DIN 439	000752
17	heating element 4,5kW	516392
17	heating element (since machine number 145258)	637785
18	support	516406
18	pressure frame (since machine number 145258)	638048
19	screw M 6X30	301396
20	protection facility	614351
20	protection facility	638064
21	heat insulation plate	180890
21	insulation cuttied set	660957

ball valve (drain off)



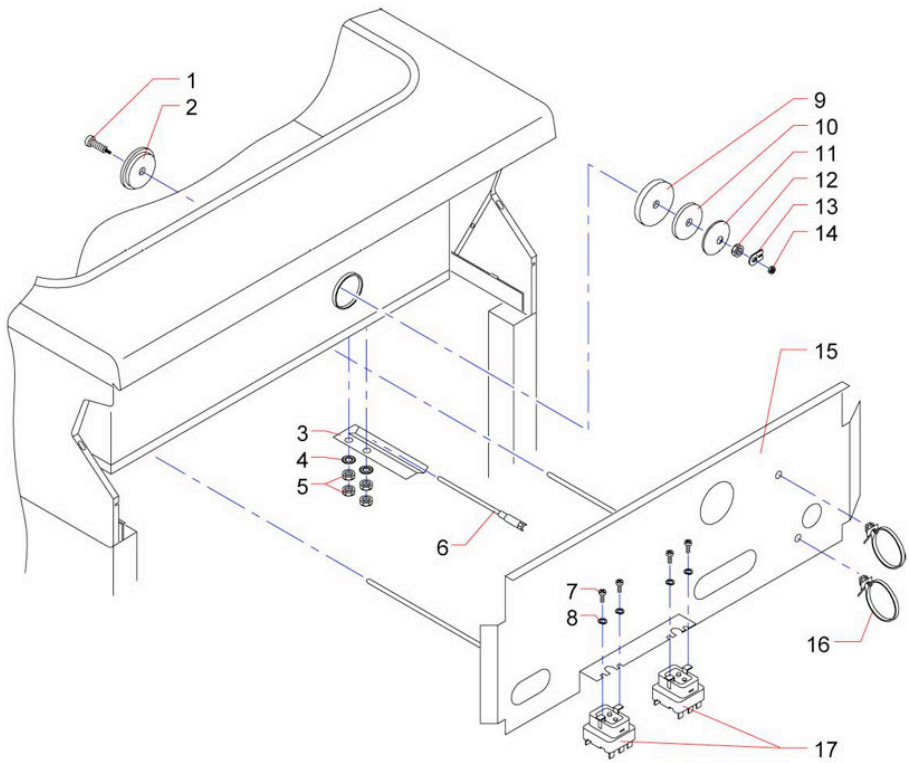
Pos.	Description	Article
1	wheel	613479
2	support screen	613444
3	screw M8X16	257478
4	support bushing	534013
5	spacer bolt	613401
6	operating lever	618799
7	counter plate	613843
8	washer 6,4	004014
9	screw M 6X16	251194
10	retaining ring	502340
11	washer 6,4	004014
12	screw M 6X16	251194
13	serrated lock washer A6.4	006777
14	Verschraubung zu Kugelhahn, in Pos. 19	
15	mounting plate	613223
16	screw M 6x20	614068
17	snap action nut B3.9	227889
18	pipe socket	613924
19	bushing ball tap (since machine number 145258)	637548
19	exchange ball tap (since machine number 145258)	392863
20	retaining ring (till machine number 145258)	613436
21	tooth wheel	263796
22	threaded pin M5x10	631744
23	stop ring	627666
24	bolt	613797
25	fitting spring	253774
26	allen head screw M6x 10	011363
27	sealing tape 12mm	00538*

cover cpl. tension spring



Pos.	Description	Article
1	snap action nut B3.9 (since machine number 145262)	227889
2	micro switch, (since machine number 145262)	
3	screw M 3X20 (since machine number 145262)	010464
4	base f. switch (since machine number 145262)	288950
5	angle bracket (since machine number 145262)	637424
6	sheet metal screw (since machine number 145262)	000442
7	spring lock washer A3 (since machine number 145262)	000418
8	nut M 3 (since machine number 145262)	000396
9	operating lever (since machine number 145262)	637416
10	screw M 4X10 (since machine number 145262)	010502
11	silicone FD plast / 310ml Alu	628034
12	insertable plate	613150
13	casing vario pan plus	609110
14	spring shackle	613738
15	nut M4 self securing (since machine number 145262)	302627
16	washer 4,3 (since machine number 145262)	001007
17	angle bracket	166480
18	nut M 6 DIN 439	000752
19	screw M5 x 70	613290
20	bearing block left	613894
20	bearing block right	613908
20	water inlet block (since machine number 145262)	648299
21	tension spring	621994
22	friction bearing	613274
23	bearing bush	618403
24	stop	615234
25	spring bow	613371
25	spring bow	613320
26	perlator star	289108
27	lid cpl.	610372
28	sealing frame	613789
29	sealing plate	648094
30	insulation bushing	682233
31	screw M 3X25	010480
32	micro switch	680907

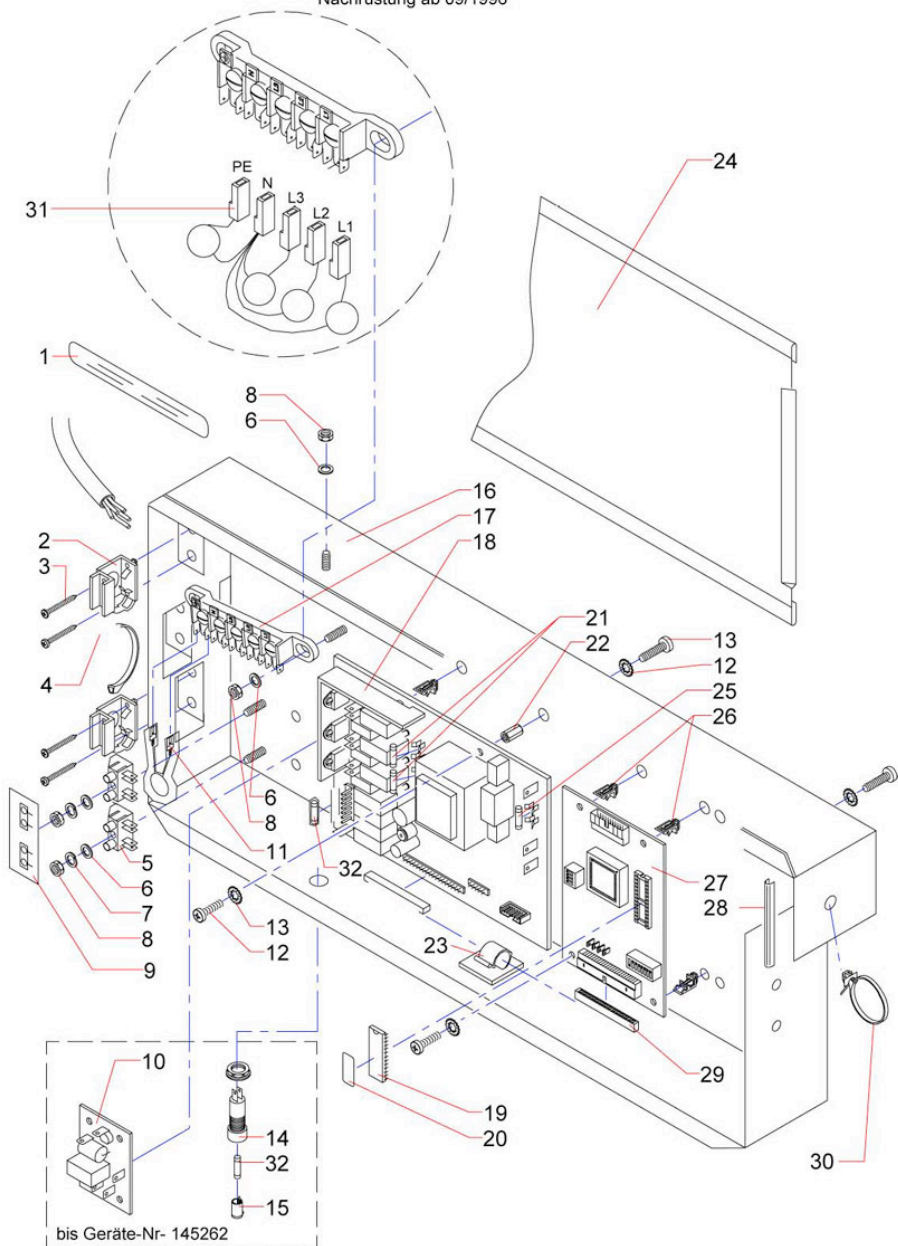
sensor



Pos.	Description	Article
1	sensor water level	614211
1	sensor water level (since machine number 145262)	648051
2	support disc f. sensor	614181
2	support disc f. sensor (since machine number 145262)	648078
3	elbow support	614076
4	serrated lock washer M 4A	012548
5	nut M 5	252867
6	casing thermoelement	613134
7	screw M 4X8	001015
8	spring lock washer A4	001023
9	counter disc f. sensor	614203
10	washer	615269
11	spring for plate (since machine number 145262)	648086
12	nut M 6	251887
13	tab connector 2,8	019321
14	nut M 3	000396
15	cover	614491
16	armature clamp detachable	388017
17	capillary tube cont. STB	502537

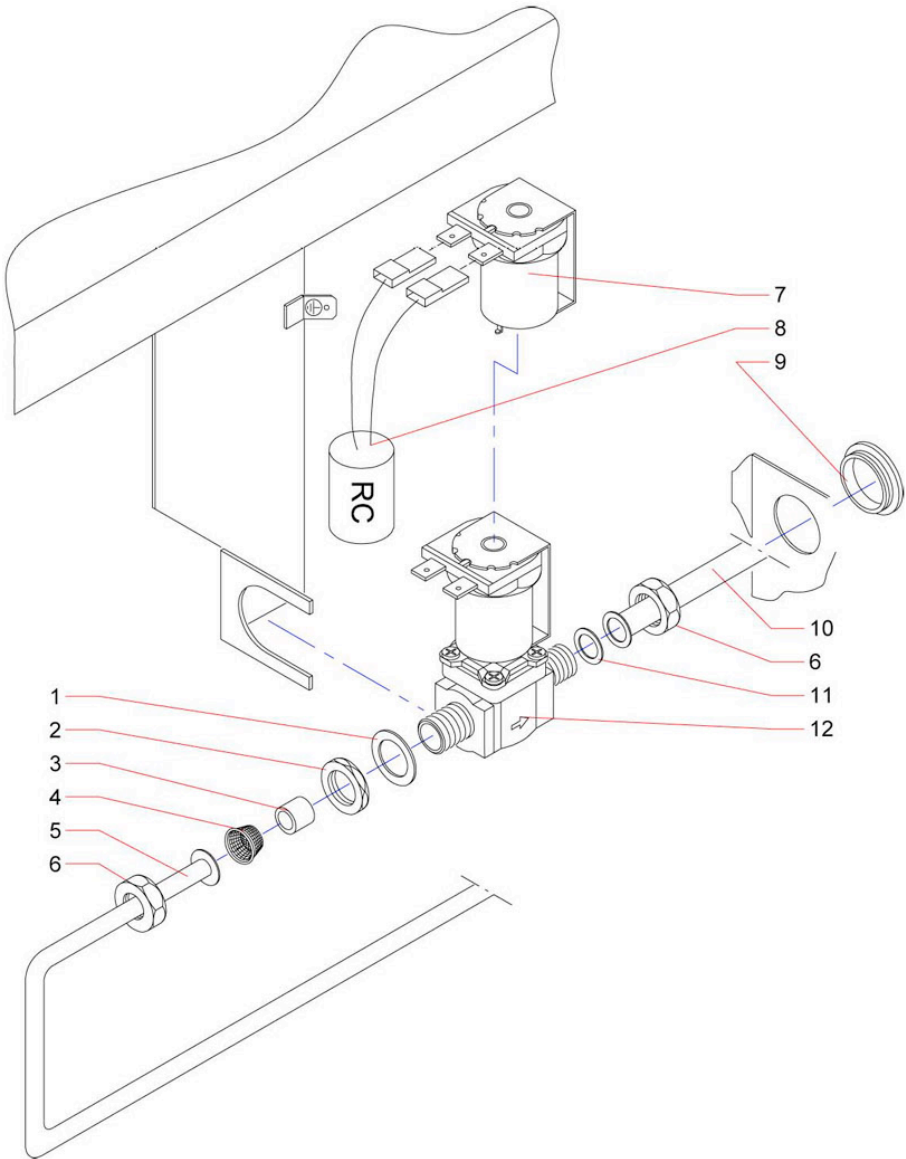
electrical box, cable

Varistoren
Nachrüstung ab 09/1996



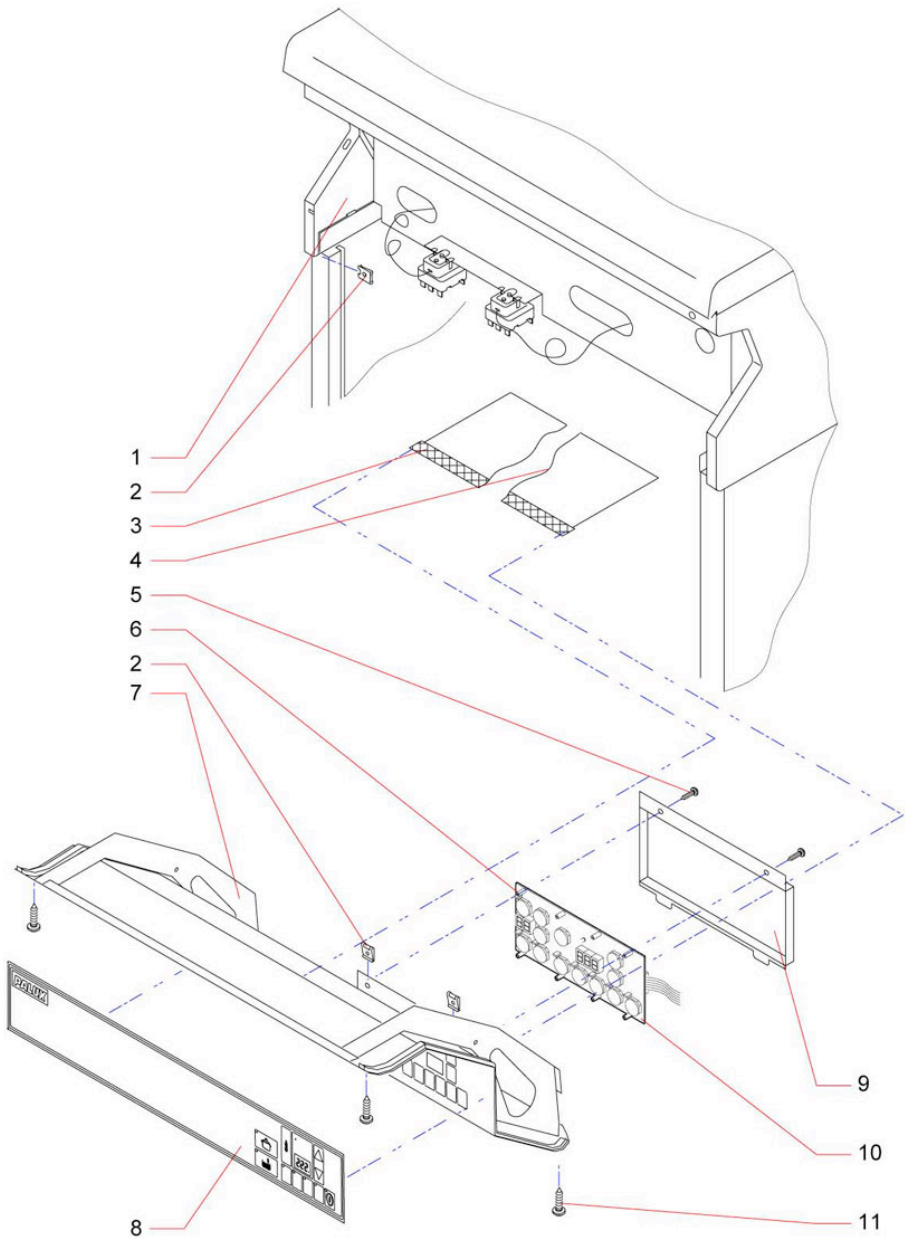
Pos.	Description	Article
1	adhesive label	621382
2	clamp	248002
3	sheet metal screw	248703
4	cable tie	050121
5	plug in strip	070858
6	washer 4,3	001007
7	spring lock washer A4	001023
8	nut M 4	003905
9	adhesive label	621870
10	PC-board	317225
11	varistor cpl. (since machine number 145262)	648329
12	serrated lock washer M 4A	012548
13	screw M 4X6	174084
14	fuse holder (till machine number 145262)	360201
15	cap closure (till machine number 145262)	360198
16	electric box	613622
17	mains connecting block, bolt mounting (till appr. 10.2004)	002186
18	power supply board (since machine number 145262)	634409
19	EPROM pre programmed (since machine number 110190)	628182
20	UV program securing	620122
21	fine wire fuse 5X20 0,8AF	048208
22	spacer	603228
23	cable clip	026301
24	cover sheet	613665
25	fine wire fuse 5X20 2,0AT	190756
26	spacer	609986
27	CPU Pcb electro static tested (since machine number 145262)	634395
28	pvc edge protection	046337
29	flat cable	614769
30	armature clamp detachable	388017
31	varistor cpl. (since machine number 145262)	648353
32	fine wire fuse 5X20 4AT	307963
	cable cpl.	539740
	cable harness vario pan plus	614122
	flat cable	614769
	cable harness	621862
	cable harness	628603
	cable harness	647179
	cable cpl. (since machine number 145262)	648337
	cable harness (since machine number 145262)	648345
	cable cpl.	024252
	cable harness	082643
	cable harness	506680
	cable harness vario pan plus	614149

water supply



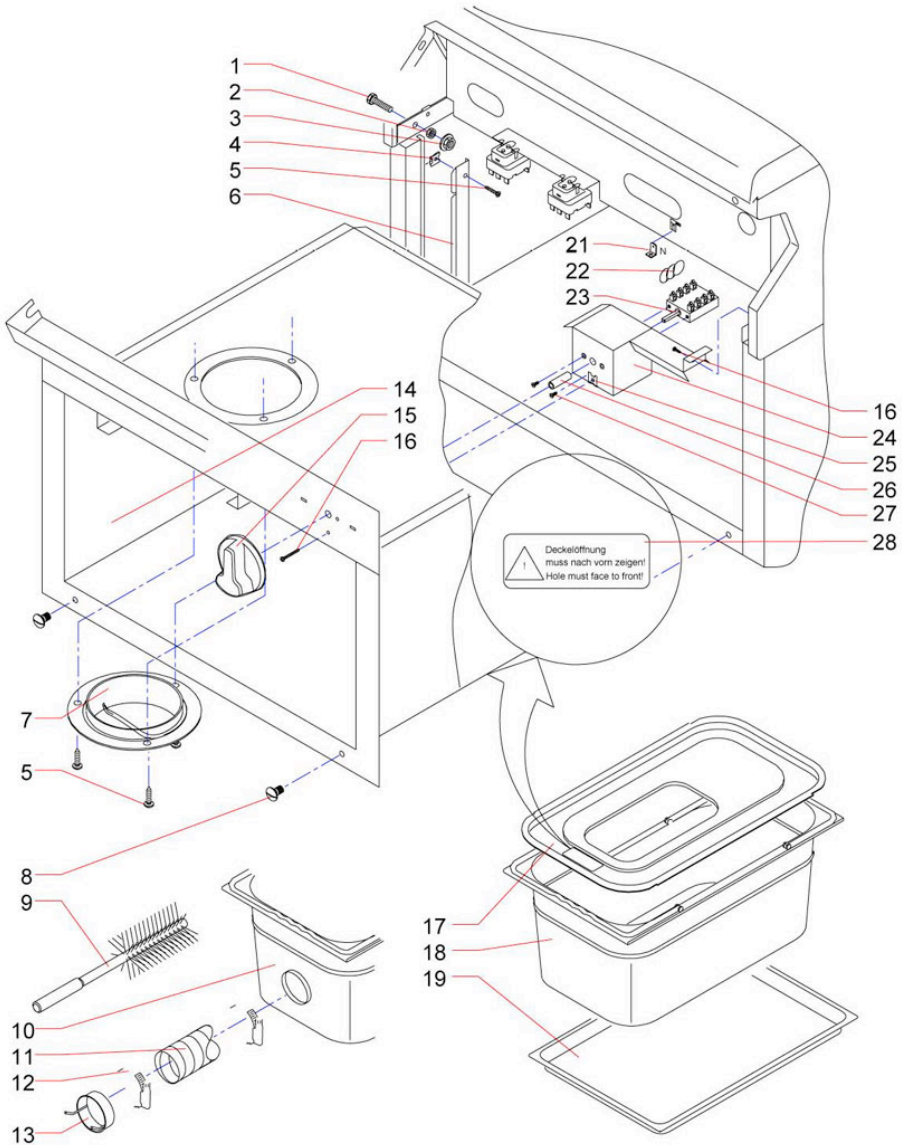
Pos.	Description	Article
1	washer	018236
1	washer (since machine number 175755)	539287
2	hex head nut	034649
3	bushing	615250
4	basket filter	617733
5	water connection pipe	618497
6	cap nut 3/8	256579
6	cap nut Ms58 (since machine number 175755)	029874
6	double cone ring	001252
7	magnetic component	297313
8	interference suppression capacitor (since machine number 145262)	288861
9	cable bushing	246921
10	water inlet block	648299
11	sealing ring 10x13,5x1	214833
12	solenoid valve	372102

operator panel



Pos.	Description	Article
1	casing vario pan plus	609110
2	snap action nut B3.9	227889
3	adhesive tape (since machine number 145262)	389366
3	adhesive tape (since 12.1996)	046515
4	covering foil (since machine number 145262)	648442
5	sheet metal screw	150622
6	spacer sleeve	648418
7	front panel cpl.	609129
8	control keypad	396362
9	cover sheet (since machine number 168777)	648175
10	keyboard	613142
11	sheet metal screw	263109

frame, accessories



Pos.	Description	Article
1	screw M 6X16	251194
2	nut M 6	251887
3	nut M 6	614742
4	snap action nut B3.9	227889
5	sheet metal screw	150622
6	mounting sheet	613878
7	covering glass	613940
8	oval head screw M4X8	333905
9	cleaning brush vario pan	614319
10	container GN 1/1 200 deep	639826
11	flexible hose	639834
12	hose clip	039322
13	set on pipe	639753
14	plug in module	613592
14	plug in module	669946
15	toggle (since machine number 145262)	393800
16	sheet metal screw (since machine number 145262)	000442
17	lid 1/1 perforated	615196
18	container GN 1/1 - 200 mm deep	607207
19	baking tray	146013
21	plug	252700
22	cable cpl. (since machine number 145262)	648337
23	main switch (since machine number 145262)	291722
24	bracket main switch (since machine number 145262)	648205
25	snap action nut B3.9 (since machine number 145262)	227889
26	hose section (since machine number 145262)	632236
27	screw M 4 x 6 (since machine number 145262)	014087
28	adhesive label	628891
	users instructions pan plus D	614246
	users instructions pan plus	629286
	wiring diagram	628727
	wiring diagram (since 10.1996)	637262
	circuit diagram (till 10.1996)	628743
	circuit diagram new (since 10.1996)	637270