

**Ersatzteilkatalog**  
**Spare parts list**

**PALUX Topline Thermik**

**Topline Vario Bräter M**



**Dieser Ersatzteilkatalog ist gültig**

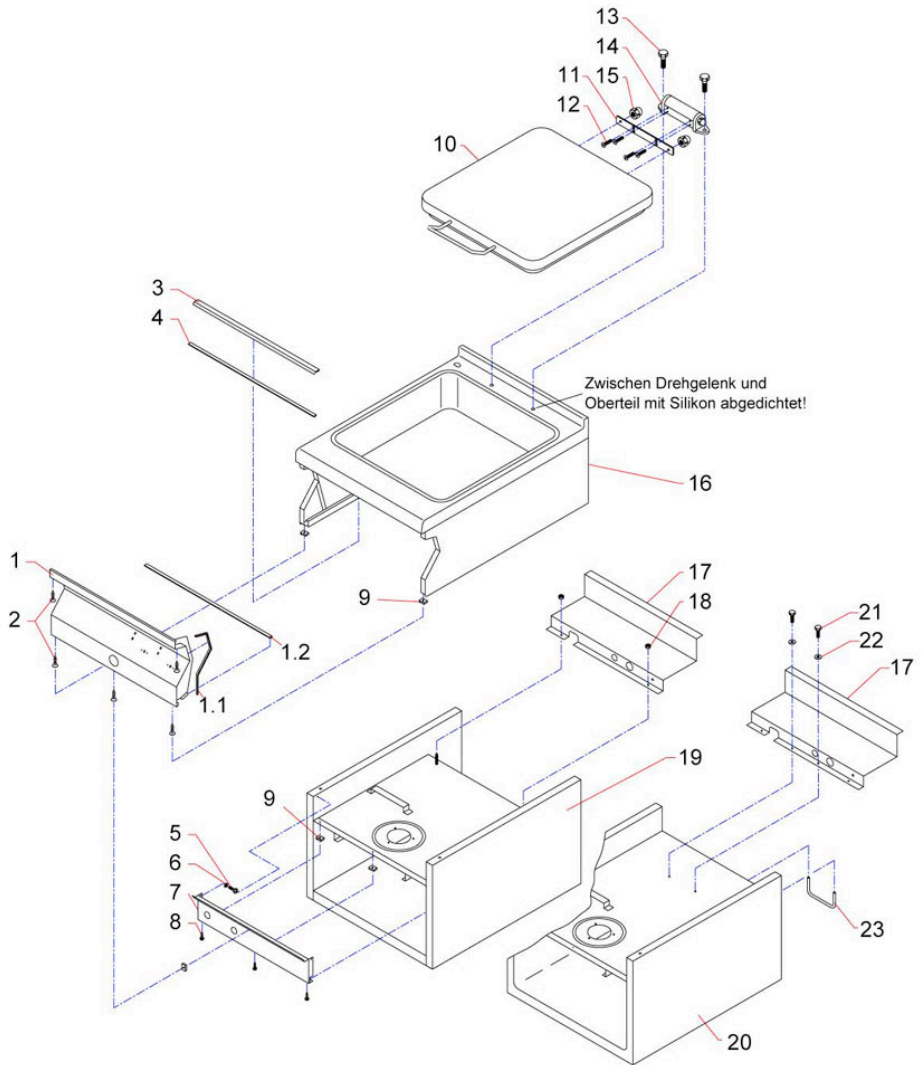
- für Geräte ab Baujahr 2000
- mit Hygiene-Unterbau ab 2002

**Typenübersicht**

716626 - Topline Vario Bräter M

811084 - Topline Vario Bräter M mit Hygiene-Unterbau

housing, cover cpl.



Pos.	Description	Article
1	front panel600	697990
1.1	silicone foam profile joint	604151
1.2	seal profil	374407
2	sheet metal screw	263109
3	sealing bar 600	619043
4	seal profil	374407
5	screw M 4X10	010502
6	spring lock washer A4	001023
7	front panel basement	710687
8	sheet metal screw	031720
9	snap action nut B3.9	227889
10	lid cpl.	710539
11	flange f. rotating joint	710598
12	screw M5 x 12	161705
13	screw M 10 x40	696315
14	rotating joint	710504
15	cap nut M 8	658448
16	Gehäuse kpl.	
17	rear panel	337692
18	kombi nut w. washer	377740
19	Gehäuse-Unterbau	
20	Gehäuse-Unterbau Hygiene-Ausführung	
21	screw M 5X10	003743
22	washer 5,3	003980
23	handle	326860



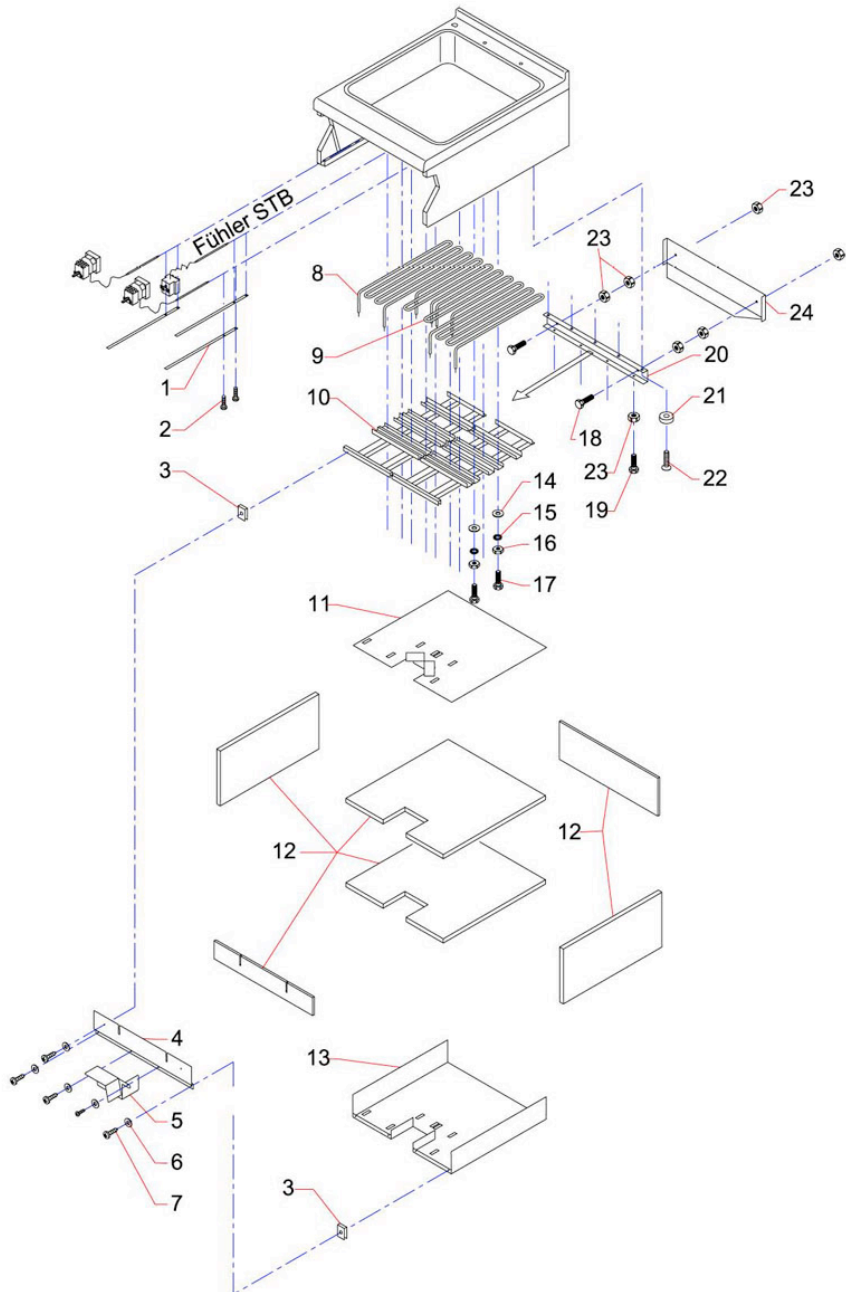
Pos.	Description	Article
1	mixing tap	710660
2	hose 12x18,5	272159
3	hose clamp	276634
4	hose connector	659479
5	water inlet	365734
6	cap nut 1/2	605077
7	o-ring	633542
8	o-ring	080373
9	water inlet pipe	365769
10	hose 3/4 1/2	720704
10.1	Dichtung 18,5x10x2	
10.2	Dichtung 24x15x2	



Pos.	Description	Article
1	support bushing	365645
2	operating lever	311634
3	antirotation device	602124
4	shaft	710458
5	o-ring	399434
6	retaining ring	502340
7	o-ring	683833
8	pipe socket	710482
9	draining pipe cpl.	710490
9.1	silicone foam profile joint	604151
10	sheet metal screw	031720
11	drainage plug big	337684
12	insert strainer	346802
13	ball tap	710474
14	snap action nut B3.9	227889

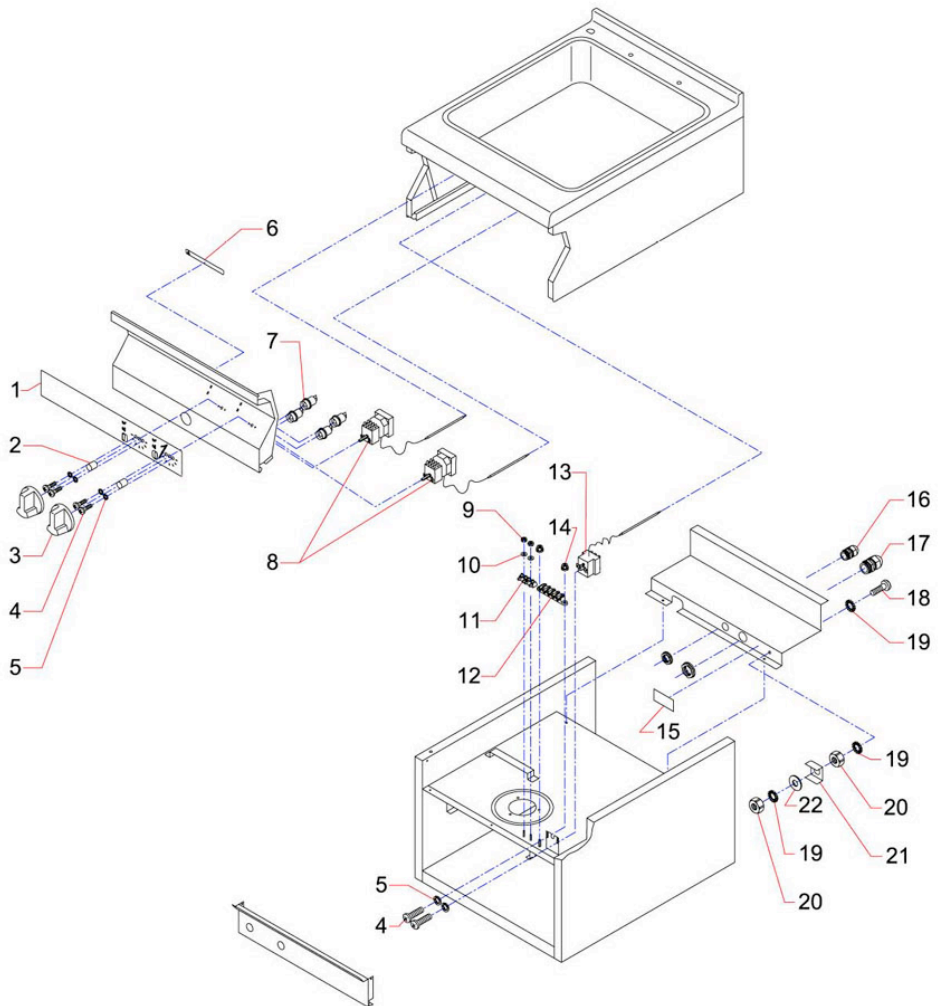


heating unit



Pos.	Description	Article
1	guard f. sensor	502987
2	screw M 4x5	542237
3	snap action nut B3.9	227889
4	end plate	000663
5	antirotation device	602124
6	spring lock washer A4	001023
7	sheet metal screw	059803
8	heating element 3300W	335142
9	heating element 1800W	335150
10	pressure frame VBM	621390
11	insulation sheet	336173
12	insulation cuttied set	622834
13	insulating case	139033
14	washer 6,4	004014
15	serrated lock washer A6.4	006777
16	nut M 6 DIN 439	000752
17	screw M 6x35	705284
18	screw M 6X25	00393*
19	screw M 6X30	301396
20	support rail	720437
21	plain washer	163732
22	screw M6 x10	051373
23	nut M 6	251887
24	insertable plate	726044

## electric



Pos.	Description	Article
1	control keypad	654280
2	hose section	632236
3	toggle	393800
4	screw M 4X6	174084
5	spring lock washer A4	001023
6	adhesive label	621382
7	pilot lamp	395056
8	capillary tube controller	631981
9	nut M 3	000396
10	washer 3,2	000965
11	plug in strip	070858
12	mains connecting block, bolt mounting (till appr. 10.2004)	002186
12	mains connecting clamp 400V/40A 5-pole (since appr. 10.2004)	829927
13	capillary tube cont. STB	502537
14	kombi nut w. washer	377740
15	adhesive label	217360
16	cable fitting	050644
17	cable fitting	293997
18	screw M 6X20	010731
19	serrated lock washer A6.4	006777
20	nut M 6	251887
21	terminal bracket	223697
22	washer 6,4	004014