

## CUCINE A GAS

### Serie 900

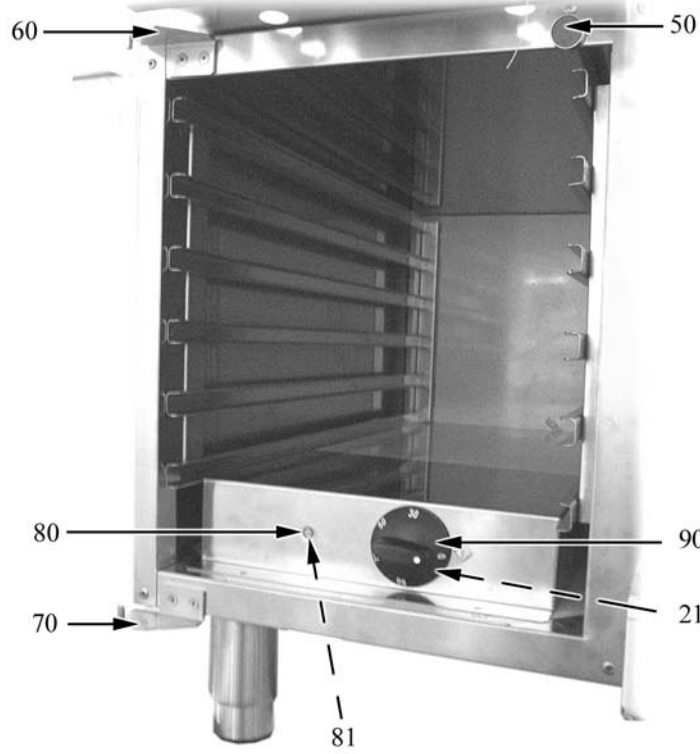
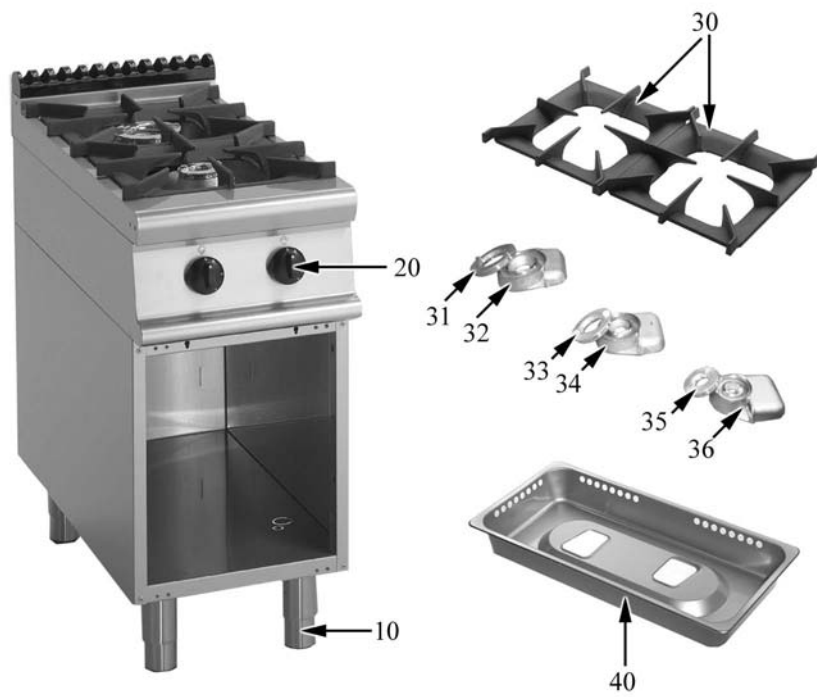
TIPO: 92/04 CG, 92/04 TCG, 94/04 CG, 94/04 TCG, 94/04 CGG, 94/04 CGE, 96/04 CG, 96/04 TCG, 96/04 CGG, 96/04 CGGE, 96/04 CGE, 96/04 CGE, 98/04 CG, 98/04 TCG, 98/04CGG, 98/04 CGE, 92/04 CG1P, 92/04 TCG1P, 94/04 CG1P, 94/04 TCG1P, 94/04 CGG1P, 94/04 CGE1P, 96/04 CG2P, 96/04 TCG2P, 96/04 CGG2P, 96/04 CGGE2P, 96/04 CGE2P, 96/04 CGEE2P, 98/04 CG2P, 98/04 TCG2P, 98/04CGG2P, 98/04 CGE2P, 92/04 TCGP, 92/04 CGP, 94/04 CGP, 94/04 TCGP, 94/04 CGGP, 94/04 CGEP, 96/04 CGP, 96/04 TCGP, 96/04 CGGP, 96/04 CGGEP, 96/04 CGEP, 96/04 CGEEP, 98/04 CGP, 98/04 TCGP, 98/04CGGP, 98/04 CGEP

---

## Parti di ricambio

---





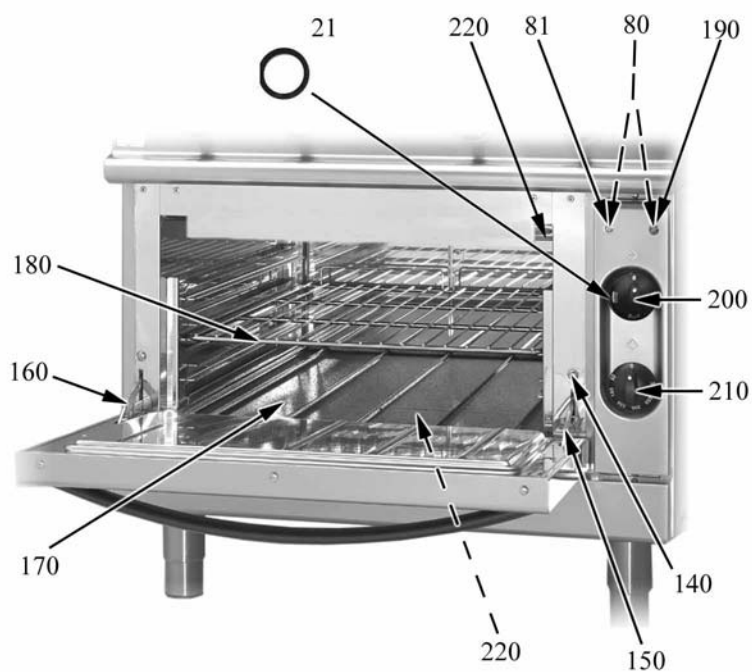
## Parti di ricambio

ID	Tipo	Descrizione	Codici
<b>Module: Parti esterne fuochi e armadio caldo</b>			
10		Piedino	826490142
20		Manopola cucina gas nera	2599200
30		Griglia smaltata	6A003900
31		Bruciatore (spartifiamma "C")	2510352
32		Bruciatore (bicchiere "C")	2510351
33	94TG,96TG,98TG,94G,96G,98G,94GG,94GE,96GG,96GGE,96GE,96GEE,98GG,98GE,94TG,96TG,98TG,94G,96G,98G,94GG1P,94GE1P,96GG2P,96GGE2P,96GE2P,96GEE2P,98GG2P,98GE2P,94TGP,96TGP,98TGP,94GP,96GP,98GP,94GGP,94GEP,96GGP,96GGEP,96GEP,96GEEP,98GGP,98GEP	Bruciatore (spartifiamma "D")	2510355
34	94TG,96TG,98TG,94G,96G,98G,94GG,94GE,96GG,96GGE,96GE,96GEE,98GG,98GE,94TG,96TG,98TG,94G,96G,98G,94GG1P,94GE1P,96GG2P,96GGE2P,96GE2P,96GEE2P,98GG2P,98GE2P,94TGP,96TGP,98TGP,94GP,96GP,98GP,94GGP,94GEP,96GGP,96GGEP,96GEP,96GEEP,98GGP,98GEP	Bruciatore (bicchiere "D")	2510354
35	92G1P,94G1P,96G2P,94GG1P,94GE1P,96GG2P,96GGE2P,96GE2P,96GEE2P,98GG2P,98GE2P,92GP,94GP,96GP,98GP,94GGP,94GEP,96GGP,96GGEP,96GEP,96GEEP,98GGP,98GEP,92TG1P,94TG1P,96TG2P,92TGP,94TGP,96TGP,98TGP	Bruciatore (spartifiamma "E") 10 kW	2510341
35	92TG,94TG,96TG,98TG,92G,94G,96G,98G,94GG,94GE,96GG,96GGE,96GE,96GEE,98GG,98GE	Bruciatore (spartifiamma "E") 7kW	2510358
36		Bruciatore (bicchiere "E")	2510357
40		Bacinella	2547750
50	96GG,96GGE,96GE,96GEE,96GG2P,96GGE2P,96GE2P,96GE2P,96GGP,96GGEP,96GEP,96GEEP	Magnete	826900011
60	96GG,96GGE,96GE,96GEE,96GG2P,96GGE2P,96GE2P,96GE2P,96GGP,96GGEP,96GEP,96GEEP	Cerniera inferiore porta	826410020
70	96GG,96GGE,96GE,96GEE,96GG2P,96GGE2P,96GE2P,96GE2P,96GGP,96GGEP,96GEP,96GEEP	Cerniera inferiore porta	826410010
80	94GE,96GGE,96GE,96GEE,98GE,94GE1P,96GGE2P,96GE2P,96GEE2P,98GE2P,94GEP,96GGEP,96GEP,96GEEP,98GEP	Segnalatori luminosi	6A038506
81	94GE,96GGE,96GE,96GEE,98GE,94GE1P,96GGE2P,96GE2P,96GEE2P,98GE2P,94GEP,96GGEP,96GEP,96GEEP,98GEP	Gemma bianca	6A039207
90	96GGE,96GEE,96GGE2P,96GEE2P,96GGEP,96GEEP	Manopola nera per armadio caldo e bagnomaria elett	2599210

92G=92/04 CG, 92TG=92/04 TCG, 94G=94/04 CG, 94TG=94/04 TCG, 94GG=94/04 CGG, 94GE=94/04 CGE, 96G=96/04 CG, 96TG=96/04 TCG, 96GG=96/04 CGG, 96GGE=96/04 CGGE, 96GE=96/04 CGE, 96GEE=96/04 CGE, 98G=98/04 CG, 98TG=98/04 TCG, 98GG=98/04CGG, 98GE=98/04 CGE, 92G1P=92/04 CG1P, 92TG1P=92/04 TCG1P, 94G1P=94/04 CG1P, 94TG1P=94/04 TCG1P, 94GG1P=94/04 CGG1P, 94GE1P=94/04 CGE1P, 96G2P=96/04 CG2P, 96TG2P=96/04 TCG2P, 96GG2P=96/04 CGG2P, 96GGE2P=96/04 CGGE2P, 96GE2P=96/04 CGE2P, 96GEE2P=96/04 CGEE2P, 98G1P=98/04 CG2P, 98TG1P=98/04 TCG2P, 98GG2P=98/04CGG2P, 98GE2P=98/04 CGE2P, 92TGP=92/04 TCGP, 92GP=92/04 CGP, 94GP=94/04 CGP, 94TGP=94/04 TCGP, 94GGP=94/04 CGGP, 94GEP=94/04 CGEP, 96GP=96/04 CGP, 96TGP=96/04 TCGP, 96GGP=96/04 CGGP, 96GGEP=96/04 CGGEP, 96GEP=96/04 CGEP, 96GEEP=96/04 CGEEP, 98GP=98/04 CGP, 98TGP=98/04 TCGP, 98GGP=98/04CGGP, 98GEP=98/04 CGEP

A=3/N/PE~400/230V 50Hz, H=3/PE~230V 50Hz





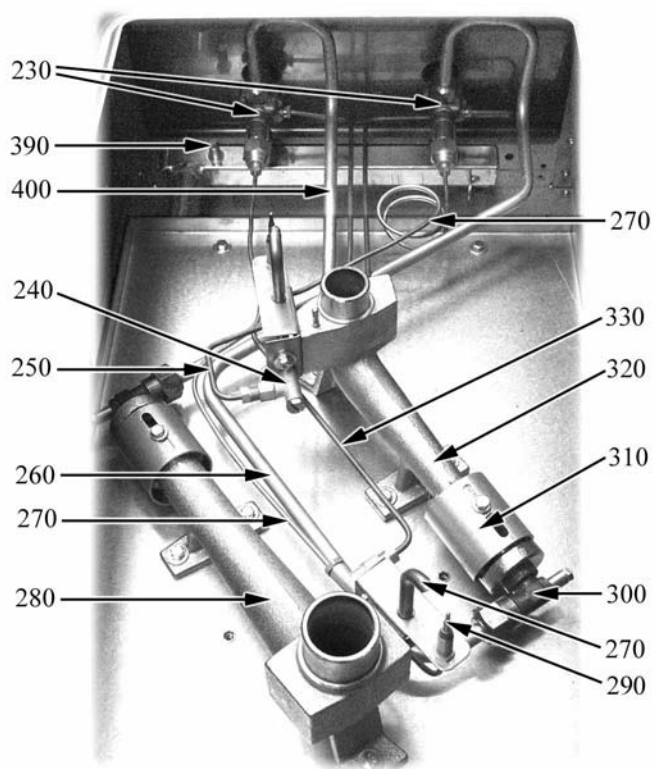
## Parti di ricambio

ID	Tipo	Descrizione	Codici
<b>Module: Parti esterne forno gas ed elettrico</b>			
100	94GG,96GG,96GGE,98GG,94GG1P,96GG2P,96GGE2P,98GG2P,94GGP,96GGP,96GGEP,98GGP	Manopola nera per forno e frytop gas	2599202
110	94GG,96GG,96GGE,98GG,94GG1P,96GG2P,96GGE2P,98GG2P,94GGP,96GGP,96GGEP,98GGP	Accensione piezoelettrica	6A041105
120	94GG,96GG,96GGE,98GG,94GG1P,96GG2P,96GGE2P,98GG2P,94GGP,96GGP,96GGEP,98GGP	Rondella	822160540
130	94GG,96GG,96GGE,98GG,94GG1P,96GG2P,96GGE2P,98GG2P,94GGP,96GGP,96GGEP,98GGP	Cappuccio	826630420
140	94GG,96GG,96GGE,98GG,94GG1P,96GG2P,96GGE2P,98GG2P,94GGP,96GGP,96GGEP,98GGP,94GE,96GE,96GEE,98GE,94GE1P,96GE2P,96GEE2P,98GE2P,94GEP,96GEP,96GEEP,98GEP	Portarullini per cerniera	6A035930
150	94GG,96GG,96GGE,98GG,94GG1P,96GG2P,96GGE2P,98GG2P,94GGP,96GGP,96GGEP,98GGP,94GE,96GE,96GEE,98GE,94GE1P,96GE2P,96GEE2P,98GE2P,94GEP,96GEP,96GEEP,98GEP	Cerniera dx	6A035910
160	94GG,96GG,96GGE,98GG,94GG1P,96GG2P,96GGE2P,98GG2P,94GGP,96GGP,96GGEP,98GGP,94GE,96GE,96GEE,98GE,94GE1P,96GE2P,96GEE2P,98GE2P,94GEP,96GEP,96GEEP,98GEP	Cerniera sx	6A035920
170	94GG,96GG,96GGE,98GG,94GG1P,96GG2P,96GGE2P,98GG2P,94GGP,96GGP,96GGEP,98GGP,94GE,96GE,96GEE,98GE,94GE1P,96GE2P,96GEE2P,98GE2P,94GEP,96GEP,96GEEP,98GEP	Suola forno	822420010
180	94GG,96GG,96GGE,98GG,94GG1P,96GG2P,96GGE2P,98GG2P,94GGP,96GGP,96GGEP,98GGP,94GE,96GE,96GEE,98GE,94GE1P,96GE2P,96GEE2P,98GE2P,94GEP,96GEP,96GEEP,98GEP	Griglia	826330020
21	94GE,96GGE,96GE,96GEE,98GE,94GE1P,96GGE2P,96GE2P,96GEE2P,98GE2P,94GEP,96GGEP,96GEP,96GEEP,98GEP	Guarnizione manopola	2519490
80	94GG,94GE,96GG,96GGE,96GE,96GEE,98GG,98GE,94GG1P,94GE1P,96GG2P,96GGE2P,96GE2P,96GEE2P,98GG2P,98GE2P,94GGP,94GEP,96GGP,96GGEP,96GEP,96GEEP,98GGP,98GEP	Segnalatori luminosi	6A038506
81	94GE,96GGE,96GE,96GEE,98GE,94GE1P,96GGE2P,96GE2P,96GEE2P,98GE2P,94GEP,96GGEP,96GEP,96GEEP,98GEP	Gemma bianca	6A039207
190	94GE,96GE,96GEE,98GE,94GE1P,96GE2P,96GEE2P,98GE2P,94GEP,96GEP,96GEEP,98GEP	Gemma verde	6A038507
200	94GE,96GE,96GEE,98GE,94GE1P,96GE2P,96GEE2P,98GE2P,94GEP,96GEP,96GEEP,98GEP	Manopola commutatore forno elettrico nera	2599207
210	94GE,96GE,96GEE,98GE,94GE1P,96GE2P,96GEE2P,98GE2P,94GEP,96GEP,96GEEP,98GEP	Manopola forno elettrico nera	2599214
220	94GE,96GE,96GEE,98GE,94GE1P,96GE2P,96GEE2P,98GE2P,94GEP,96GEP,96GEEP,98GEP	Resistenza 1500 W	826620041

92G=92/04 CG, 92TG=92/04 TCG, 94G=94/04 CG, 94TG=94/04 TCG, 94GG=94/04 CGG, 94GE=94/04 CGE, 96G=96/04 CG, 96TG=96/04 TCG, 96GG=96/04 CGG, 96GGE=96/04 CGGE, 96GE=96/04 CGE, 96GEE=96/04 CGE, 98G=98/04 CG, 98TG=98/04 TCG, 98GG=98/04CGG, 98GE=98/04 CGE, 92G1P=92/04 CG1P, 92TG1P=92/04 TCG1P, 94G1P=94/04 CG1P, 94TG1P=94/04 TCG1P, 94GG1P=94/04 CGG1P, 94GE1P=94/04 CGE1P, 96G2P=96/04 CG2P, 96TG2P=96/04 TCG2P, 96GG2P=96/04 CGG2P, 96GGE2P=96/04 CGGE2P, 96GE2P=96/04 CGE2P, 96GEE2P=96/04 CGEE2P, 98G1P=98/04 CG2P, 98TG1P=98/04 TCG2P, 98GG2P=98/04CGG2P, 98GE2P=98/04 CGE2P, 92TGP=92/04 TCGP, 92GP=92/04 CGP, 94GP=94/04 CGP, 94TGP=94/04 TCGP, 94GGP=94/04 CGGP, 94GEP=94/04 CGEP, 96GP=96/04 CGP, 96TGP=96/04 TCGP, 96GGP=96/04 CGGP, 96GGEP=96/04 CGGEP, 96GEP=96/04 CGEP, 96GEEP=96/04 CGEEP, 98GP=98/04 CGP, 98TGP=98/04 TCGP, 98GGP=98/04CGGP, 98GEP=98/04 CGEP

A=3/N/PE~400/230V 50Hz, H=3/PE~230V 50Hz





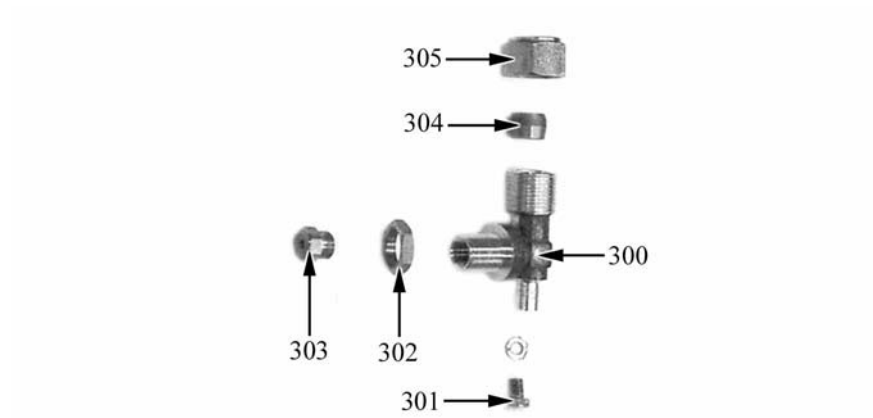
## Parti di ricambio

ID	Tipo	Descrizione	Codici
<b>Module: Bruciatori e condutture fuochi aperti</b>			
230		Rubinetto	6A011490
240		Pilota	2510359
250		Conduttura	2514608
260		Conduttura	2514602
270		Termocoppia	6A011905
280		Bruciatore (bicchiere "C") 3,5 kW	2510350
290		Tube portafiamma	2519000
300		Raccordo	6A014708
310		Regolatore d'aria	2519002
320		Bruciatore (bicchiere "E") 7 kW	2510356
320	92TG1P,94TG1P,96TG2P,92G1P,94G1P,96G2P,94GG1P,94GE1P,96GG2P,96GE2P,96GGE2P,96GEE2P,98GG2P,98GE2P,92TGP,94TGP,96TGP,98TGP,92GP,94GP,96GP,98GP,94GGP,94GEP,96GGP,96GEP,96GGEP,96GEEP,98GGP,98GEP	Bruciatore (bicchiere "E+") 10 kW	
330		Conduttura	2514609
390		Vite	2510610
400		Conduttura	2514603

92G=92/04 CG, 92TG=92/04 TCG, 94G=94/04 CG, 94TG=94/04 TCG, 94GG=94/04 CGG, 94GE=94/04 CGE, 96G=96/04 CG, 96TG=96/04 TCG, 96GG=96/04 CGG, 96GGE=96/04 CGGE, 96GE=96/04 CGE, 96GEE=96/04 CGE, 98G=98/04 CG, 98TG=98/04 TCG, 98GG=98/04CGG, 98GE=98/04 CGE, 92G1P=92/04 CG1P, 92TG1P=92/04 TCG1P, 94G1P=94/04 CG1P, 94TG1P=94/04 TCG1P, 94GG1P=94/04 CGG1P, 94GE1P=94/04 CGE1P, 96G2P=96/04 CG2P, 96TG2P=96/04 TCG2P, 96GG2P=96/04 CGG2P, 96GGE2P=96/04 CGGE2P, 96GE2P=96/04 CGE2P, 96GEE2P=96/04 CGEE2P, 98G1P=98/04 CG2P, 98TG1P=98/04 TCG2P, 98GG2P=98/04CGG2P, 98GE2P=98/04 CGE2P, 92TGP=92/04 TCGP, 92GP=92/04 CGP, 94GP=94/04 CGP, 94TGP=94/04 TCGP, 94GGP=94/04 CGGP, 94GEP=94/04 CGEP, 96GP=96/04 CGP, 96TGP=96/04 TCGP, 96GGP=96/04 CGGP, 96GGEP=96/04 CGGEP, 96GEP=96/04 CGEP, 96GEEP=96/04 CGEEP, 98GP=98/04 CGP, 98TGP=98/04 TCGP, 98GGP=98/04CGGP, 98GEP=98/04 CGEP

A=3/N/PE~400/230V 50Hz, H=3/PE~230V 50Hz







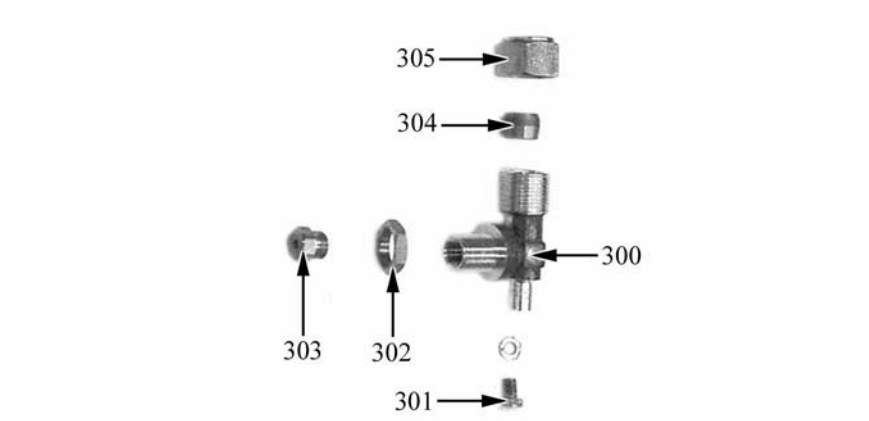
## Parti di ricambio

ID	Tipo	Descrizione	Codici
<b>Module:Ugelli fuochi aperti</b>			
301		Vite	2510610
302		Controdado	6A010820
303		Kit ugelli IT fuochi aperti bruciatore "C"	2592800
-		Ugello L 90	
-		Ugello L 140	
-		By pass	
303		Kit ugelli IT fuochi aperti bruciatore "D"	2592802
-		Ugello L 115	
-		Ugello L 170R	
-		By pass	
303		Kit ugelli IT fuochi aperti bruciatore "E"	2592804
-		Ugello L 130	
-		Ugello L 185R	
-		By pass	
303		Kit ugelli IT fuochi aperti bruciatore "E+"	2592846
-		Ugello L 155	
-		Ugello L 240	
-		Ugello L 255	
-		By pass	
303		Kit ugelli DE fuochi aperti bruciatore "C"	2592801
-		Ugello L 80	
-		Ugello L 140	
-		Ugello L 150	
-		By pass	
303		Kit ugelli DE fuochi aperti bruciatore "D"	2592803
-		Ugello L 105	
-		Ugello L 170R	
-		Ugello L 185R	
-		By pass	

92G=92/04 CG, 92TG=92/04 TCG, 94G=94/04 CG, 94TG=94/04 TCG, 94GG=94/04 CGG, 94GE=94/04 CGE, 96G=96/04 CG, 96TG=96/04 TCG, 96GG=96/04 CGG, 96GGE=96/04 CGGE, 96GE=96/04 CGE, 96GEE=96/04 CGE, 98G=98/04 CG, 98TG=98/04 TCG, 98GG=98/04CGG, 98GE=98/04 CGE, 92G1P=92/04 CG1P, 92TG1P=92/04 TCG1P, 94G1P=94/04 CG1P, 94TG1P=94/04 TCG1P, 94GG1P=94/04 CGG1P, 94GE1P=94/04 CGE1P, 96G2P=96/04 CG2P, 96TG2P=96/04 TCG2P, 96GG2P=96/04 CGG2P, 96GGE2P=96/04 CGGE2P, 96GE2P=96/04 CGE2P, 96GEE2P=96/04 CGEE2P, 98G1P=98/04 CG2P, 98TG1P=98/04 TCG2P, 98GG2P=98/04CGG2P, 98GE2P=98/04 CGE2P, 92TGP=92/04 TCGP, 92GP=92/04 CGP, 94GP=94/04 CGP, 94TGP=94/04 TCGP, 94GGP=94/04 CGGP, 94GEP=94/04 CGEP, 96GP=96/04 CGP, 96TGP=96/04 TCGP, 96GGP=96/04 CGGP, 96GGEP=96/04 CGGEP, 96GEP=96/04 CGEP, 96GEEP=96/04 CGEEP, 98GP=98/04 CGP, 98TGP=98/04 TCGP, 98GGP=98/04CGGP, 98GEP=98/04 CGEP

A=3/N/PE~400/230V 50Hz, H=3/PE~230V 50Hz





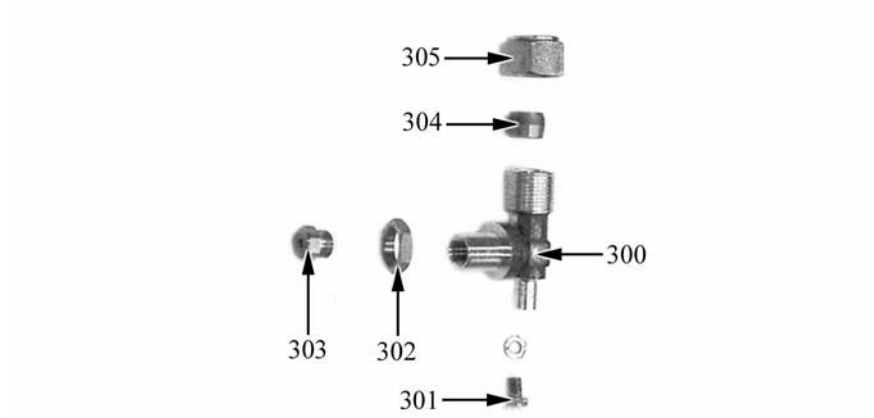
## Parti di ricambio

ID	Tipo	Descrizione	Codici
<b>Module:Ugelli fuochi aperti</b>			
303		Kit ugelli DE fuochi aperti bruciatore "E"	2592805
-		Ugello L 115	
-		Ugello L 185R	
-		Ugello L 200R	
-		By pass	
303		Kit ugelli DE fuochi aperti bruciatore "E+"	2592847
-		Ugello L 140	
-		Ugello L 240	
-		Ugello L 255	
-		Ugello L 265	
-		By pass	
303		Kit ugelli H fuochi aperti bruciatore "C"	2592863
-		Ugello L 90	
-		Ugello L 140	
-		Ugello L 130	
-		Ugello L 150	
-		By pass	
303		Kit ugelli H fuochi aperti bruciatore "D"	2592864
-		Ugello L 115	
-		Ugello L 170R	
-		Ugello L 180R	
-		Ugello L 160R	
-		By pass	
303		Kit ugelli H fuochi aperti bruciatore "E"	2592865
-		Ugello L 130	
-		Ugello L 175	
-		Ugello L 185R	
-		Ugello L 200R	
-		By pass	

92G=92/04 CG, 92TG=92/04 TCG, 94G=94/04 CG, 94TG=94/04 TCG, 94GG=94/04 CGG, 94GE=94/04 CGE, 96G=96/04 CG, 96TG=96/04 TCG, 96GG=96/04 CGG, 96GGE=96/04 CGGE, 96GE=96/04 CGE, 96GEE=96/04 CGE, 98G=98/04 CG, 98TG=98/04 TCG, 98GG=98/04CGG, 98GE=98/04 CGE, 92G1P=92/04 CG1P, 92TG1P=92/04 TCG1P, 94G1P=94/04 CG1P, 94TG1P=94/04 TCG1P, 94GG1P=94/04 CGG1P, 94GE1P=94/04 CGE1P, 96G2P=96/04 CG2P, 96TG2P=96/04 TCG2P, 96GG2P=96/04 CGG2P, 96GGE2P=96/04 CGGE2P, 96GE2P=96/04 CGE2P, 96GEE2P=96/04 CGEE2P, 98G1P=98/04 CG2P, 98TG1P=98/04 TCG2P, 98GG2P=98/04CGG2P, 98GE2P=98/04 CGE2P, 92TGP=92/04 TCGP, 92GP=92/04 CGP, 94GP=94/04 CGP, 94TGP=94/04 TCGP, 94GGP=94/04 CGGP, 94GEP=94/04 CGEP, 96GP=96/04 CGP, 96TGP=96/04 TCGP, 96GGP=96/04 CGGP, 96GGEP=96/04 CGGEP, 96GEP=96/04 CGEP, 96GEEP=96/04 CGEEP, 98GP=98/04 CGP, 98TGP=98/04 TCGP, 98GGP=98/04CGGP, 98GEP=98/04 CGEP

A=3/N/PE~400/230V 50Hz, H=3/PE~230V 50Hz





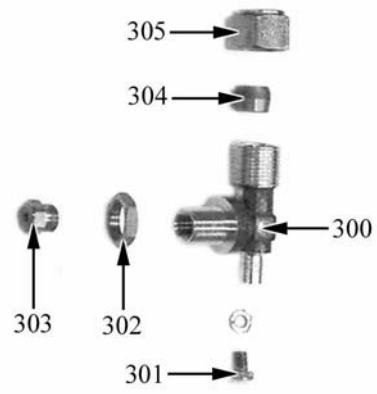
## Parti di ricambio

ID	Tipo	Descrizione	Codici
<b>Module:Ugelli fuochi aperti</b>			
303		Kit ugelli H fuochi aperti bruciatore "E+"	2592848
-		Ugello L 155	
-		Ugello L 240	
-		Ugello L 255	
-		Ugello L 225	
-		Ugello L 265	
-		By pass	
303		Kit ugelli Gas Citta fuochi aperti bruciatore "C"	2592880
-		Ugello L 90	
-		Ugello L 140	
-		Ugello L 265	
-		Ugello L 250	
-		Ugello 70	
-		Ugello 20	
-		Ugello 35	
-		By pass	
303		Kit ugelli Gas Citta fuochi aperti bruciatore "D"	2592881
-		Ugello L 115	
-		Ugello L 170R	
-		Ugello L 340	
-		Ugello L 320	
-		Ugello 70	
-		Ugello 20	
-		Ugello 35	
-		By pass	

92G=92/04 CG, 92TG=92/04 TCG, 94G=94/04 CG, 94TG=94/04 TCG, 94GG=94/04 CGG, 94GE=94/04 CGE, 96G=96/04 CG, 96TG=96/04 TCG, 96GG=96/04 CGG, 96GGE=96/04 CGGE, 96GE=96/04 CGE, 96GEE=96/04 CGE, 98G=98/04 CG, 98TG=98/04 TCG, 98GG=98/04CGG, 98GE=98/04 CGE, 92G1P=92/04 CG1P, 92TG1P=92/04 TCG1P, 94G1P=94/04 CG1P, 94TG1P=94/04 TCG1P, 94GG1P=94/04 CGG1P, 94GE1P=94/04 CGE1P, 96G2P=96/04 CG2P, 96TG2P=96/04 TCG2P, 96GG2P=96/04 CGG2P, 96GGE2P=96/04 CGGE2P, 96GE2P=96/04 CGE2P, 96GEE2P=96/04 CGEE2P, 98G1P=98/04 CG2P, 98TG1P=98/04 TCG2P, 98GG2P=98/04CGG2P, 98GE2P=98/04 CGE2P, 92TGP=92/04 TCGP, 92GP=92/04 CGP, 94GP=94/04 CGP, 94TGP=94/04 TCGP, 94GGP=94/04 CGGP, 94GEP=94/04 CGEP, 96GP=96/04 CGP, 96TGP=96/04 TCGP, 96GGP=96/04 CGGP, 96GGEP=96/04 CGGEP, 96GEP=96/04 CGEP, 96GEEP=96/04 CGEEP, 98GP=98/04 CGP, 98TGP=98/04 TCGP, 98GGP=98/04CGGP, 98GEP=98/04 CGEP

A=3/N/PE~400/230V 50Hz, H=3/PE~230V 50Hz





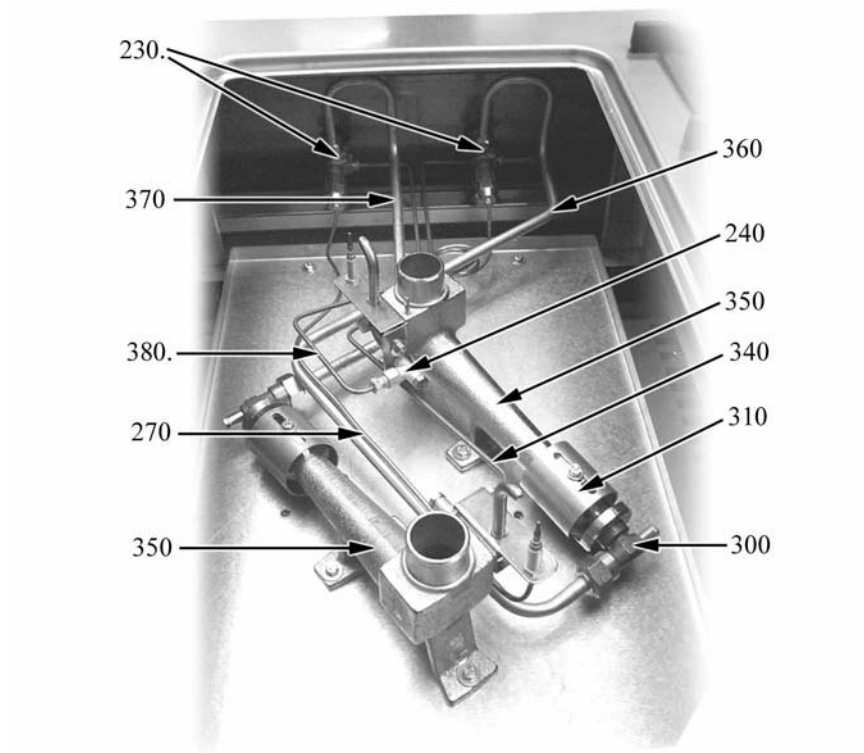
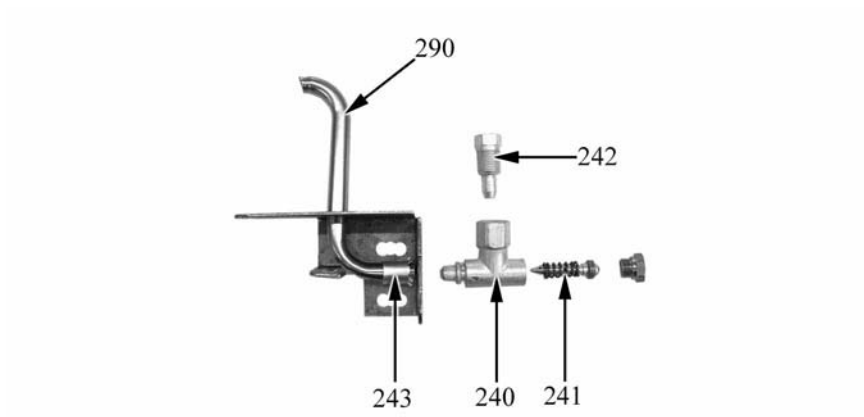
## Parti di ricambio

ID	Tipo	Descrizione	Codici
<b>Module:Ugelli fuochi aperti</b>			
303		Kit ugelli Gas Citta fuochi aperti bruciatore "E"	2592882
-		Ugello L 130	
-		Ugello L 185R	
-		Ugello L 390	
-		Ugello L 370	
-		Ugello 70	
-		Ugello 20	
-		Ugello 35	
-		By pass	
303		Kit ugelli Gas Citta fuochi aperti bruciatore "E+"	2592883
-		Ugello L 155	
-		Ugello L 240	
-		Ugello L 255	
-		Ugello L 470	
-		Ugello L 440	
-		Ugello 70	
-		Ugello 20	
-		Ugello 35	
304		Bicono	6A011470
305		Dado	6A011475

92G=92/04 CG, 92TG=92/04 TCG, 94G=94/04 CG, 94TG=94/04 TCG, 94GG=94/04 CGG, 94GE=94/04 CGE, 96G=96/04 CG, 96TG=96/04 TCG, 96GG=96/04 CGG, 96GGE=96/04 CGGE, 96GE=96/04 CGE, 96GEE=96/04 CGE, 98G=98/04 CG, 98TG=98/04 TCG, 98GG=98/04CGG, 98GE=98/04 CGE, 92G1P=92/04 CG1P, 92TG1P=92/04 TCG1P, 94G1P=94/04 CG1P, 94TG1P=94/04 TCG1P, 94GG1P=94/04 CGG1P, 94GE1P=94/04 CGE1P, 96G2P=96/04 CG2P, 96TG2P=96/04 TCG2P, 96GG2P=96/04 CGG2P, 96GGE2P=96/04 CGGE2P, 96GE2P=96/04 CGE2P, 96GEE2P=96/04 CGEE2P, 98G1P=98/04 CG2P, 98TG1P=98/04 TCG2P, 98GG2P=98/04CGG2P, 98GE2P=98/04 CGE2P, 92TGP=92/04 TCGP, 92GP=92/04 CGP, 94GP=94/04 CGP, 94TGP=94/04 TCGP, 94GGP=94/04 CGGP, 94GEP=94/04 CGEP, 96GP=96/04 CGP, 96TGP=96/04 TCGP, 96GGP=96/04 CGGP, 96GGEP=96/04 CGGEP, 96GEP=96/04 CGEP, 96GEEP=96/04 CGEEP, 98GP=98/04 CGP, 98TGP=98/04 TCGP, 98GGP=98/04CGGP, 98GEP=98/04 CGEP

A=3/N/PE~400/230V 50Hz, H=3/PE~230V 50Hz







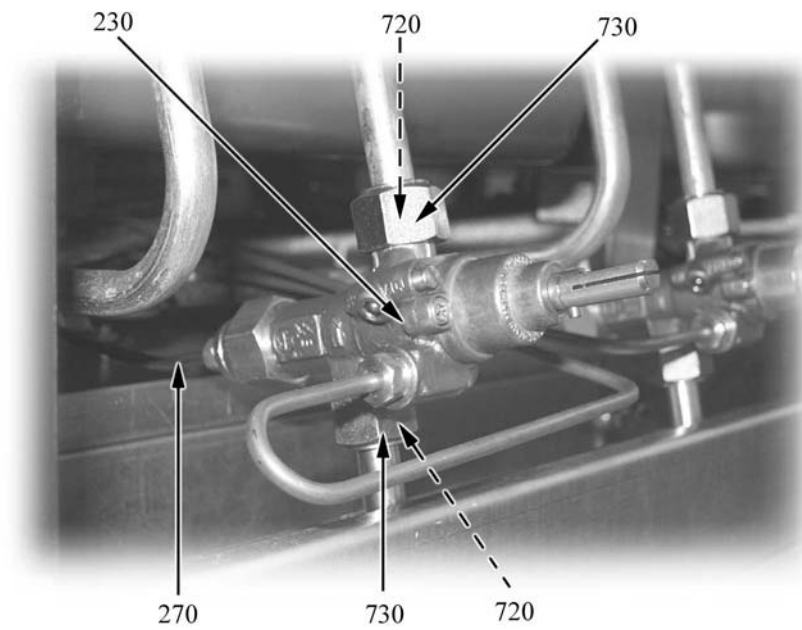
## Parti di ricambio

ID	Tipo	Descrizione	Codici
<b>Module: Bruciatori e condutture fuochi aperti</b>			
240		Pilota	2510359
241		Ugello 70	6A013110
241		Ugello 20	6A013101
241		Ugello 35	6A013103
242		Raccordo bicono	6A011608
243		Regolatore d'aria	6A013104
290		Tube portafiamma	2519000
230		Rubinetto	6A011490
270		Termocoppia	6A011905
310		Regolatore d'aria	2519002
340	94TG,94G,96TG,96G,98TG,98G,94GG,94GE,96GG,96GGE,96GE,96GEE,98GG,98GE,94GG1P,94GE1P,96GG2P,96GGE2P,96GE2P,96GEE2P,98GG2P,98GE2P,94GGP,94GEP,96GGP,96GGEP,96GEP,96GEEP,98GGP,98GEP	Conduttura	2514610
350	94TG,94G,96TG,96G,98TG,98G,94GG,94GE,96GG,96GGE,96GE,96GEE,98GG,98GE,94GG1P,94GE1P,96GG2P,96GGE2P,96GE2P,96GEE2P,98GG2P,98GE2P,94GGP,94GEP,96GGP,96GGEP,96GEP,96GEEP,98GGP,98GEP	Bruciatore (bicchiere "D") 5,6 kW	2510354
360	94TG,94G,96TG,96G,98TG,98G,94GG,94GE,96GG,96GGE,96GE,96GEE,98GG,98GE,94GG1P,94GE1P,96GG2P,96GGE2P,96GE2P,96GEE2P,98GG2P,98GE2P,94GGP,94GEP,96GGP,96GGEP,96GEP,96GEEP,98GGP,98GEP	Conduttura	2514601
370	94TG,94G,96TG,96G,98TG,98G,94GG,94GE,96GG,96GGE,96GE,96GEE,98GG,98GE,94GG1P,94GE1P,96GG2P,96GGE2P,96GE2P,96GEE2P,98GG2P,98GE2P,94GGP,94GEP,96GGP,96GGEP,96GEP,96GEEP,98GGP,98GEP	Conduttura	2514604
380	94TG,94G,96TG,96G,98TG,98G,94GG,94GE,96GG,96GGE,96GE,96GEE,98GG,98GE,94GG1P,94GE1P,96GG2P,96GGE2P,96GE2P,96GEE2P,98GG2P,98GE2P,94GGP,94GEP,96GGP,96GGEP,96GEP,96GEEP,98GGP,98GEP	Conduttura	2514607

92G=92/04 CG, 92TG=92/04 TCG, 94G=94/04 CG, 94TG=94/04 TCG, 94GG=94/04 CGG, 94GE=94/04 CGE, 96G=96/04 CG, 96TG=96/04 TCG, 96GG=96/04 CGG, 96GGE=96/04 CGGE, 96GE=96/04 CGE, 96GEE=96/04 CGE, 98G=98/04 CG, 98TG=98/04 TCG, 98GG=98/04CGG, 98GE=98/04 CGE, 92G1P=92/04 CG1P, 92TG1P=92/04 TCG1P, 94G1P=94/04 CG1P, 94TG1P=94/04 TCG1P, 94GG1P=94/04 CGG1P, 94GE1P=94/04 CGE1P, 96G2P=96/04 CG2P, 96TG2P=96/04 TCG2P, 96GG2P=96/04 CGG2P, 96GGE2P=96/04 CGGE2P, 96GE2P=96/04 CGE2P, 96GEE2P=96/04 CGEE2P, 98G1P=98/04 CG2P, 98TG1P=98/04 TCG2P, 98GG2P=98/04CGG2P, 98GE2P=98/04 CGE2P, 92TGP=92/04 TCGP, 92GP=92/04 CGP, 94GP=94/04 CGP, 94TGP=94/04 TCGP, 94GGP=94/04 CGGP, 94GEP=94/04 CGEP, 96GP=96/04 CGP, 96TGP=96/04 TCGP, 96GGP=96/04 CGGP, 96GGEP=96/04 CGGEP, 96GEP=96/04 CGEP, 96GEEP=96/04 CGEEP, 98GP=98/04 CGP, 98TGP=98/04 TCGP, 98GGP=98/04CGGP, 98GEP=98/04 CGEP

A=3/N/PE~400/230V 50Hz, H=3/PE~230V 50Hz





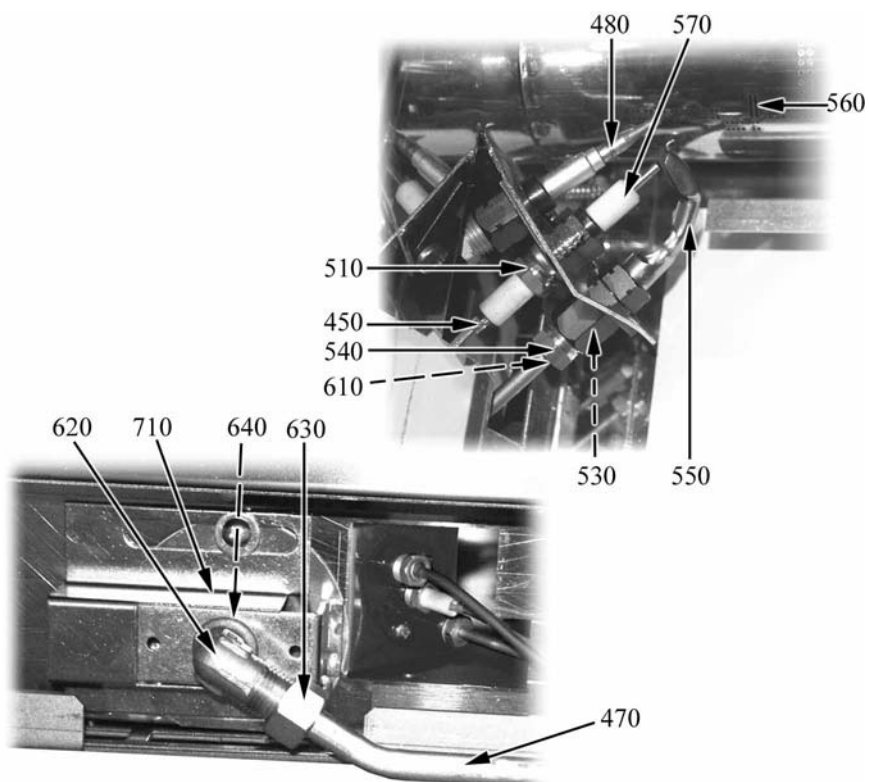
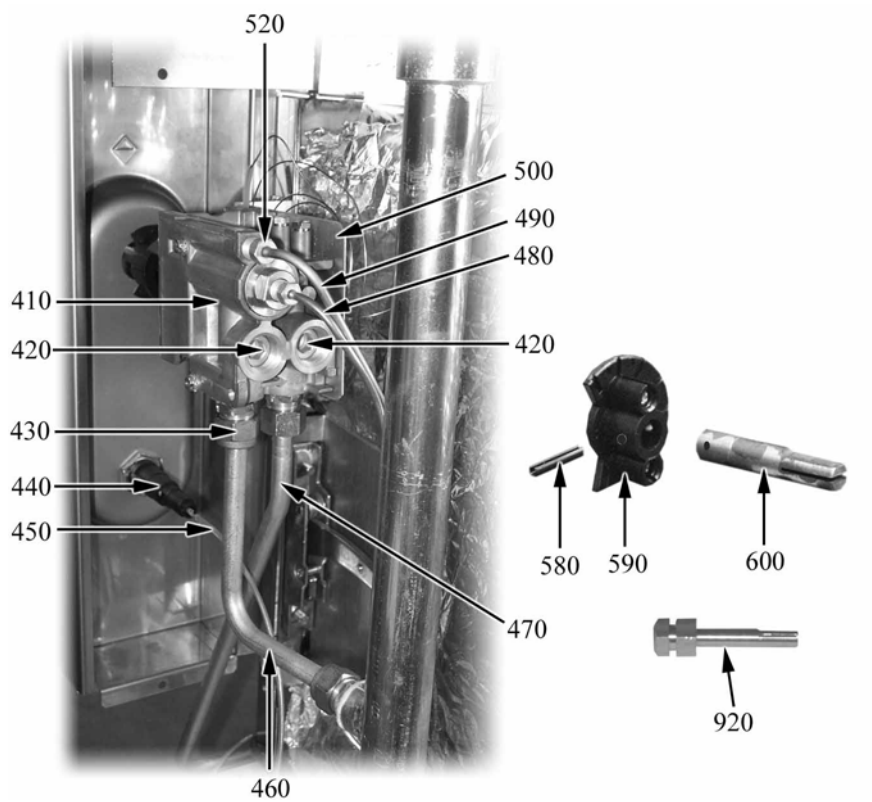
## Parti di ricambio

---

ID	Tipo	Descrizione	Codici
<b>Module:Rubinetto</b>			
230		Rubinetto	6A011490
270		Termocoppia	6A011905
720		Bicono	6A011480
730		Dado	6A011485

92G=92/04 CG, 92TG=92/04 TCG, 94G=94/04 CG, 94TG=94/04 TCG, 94GG=94/04 CGG, 94GE=94/04 CGE, 96G=96/04 CG, 96TG=96/04 TCG, 96GG=96/04 CGG, 96GGE=96/04 CGGE, 96GE=96/04 CGE, 96GEE=96/04 CGE, 98G=98/04 CG, 98TG=98/04 TCG, 98GG=98/04CGG, 98GE=98/04 CGE, 92G1P=92/04 CG1P, 92TG1P=92/04 TCG1P, 94G1P=94/04 CG1P, 94TG1P=94/04 TCG1P, 94GG1P=94/04 CGG1P, 94GE1P=94/04 CGE1P, 96G2P=96/04 CG2P, 96TG2P=96/04 TCG2P, 96GG2P=96/04 CGG2P, 96GGE2P=96/04 CGGE2P, 96GE2P=96/04 CGE2P, 96GEE2P=96/04 CGEE2P, 98G1P=98/04 CG2P, 98TG1P=98/04 TCG2P, 98GG2P=98/04CGG2P, 98GE2P=98/04 CGE2P, 92TGP=92/04 TCGP, 92GP=92/04 CGP, 94GP=94/04 CGP, 94TGP=94/04 TCGP, 94GGP=94/04 CGGP, 94GEP=94/04 CGEP, 96GP=96/04 CGP, 96TGP=96/04 TCGP, 96GGP=96/04 CGGP, 96GGEP=96/04 CGGEP, 96GEP=96/04 CGEP, 96GEEP=96/04 CGEEP, 98GP=98/04 CGP, 98TGP=98/04 TCGP, 98GGP=98/04CGGP, 98GEP=98/04 CGEP

A=3/N/PE~400/230V 50Hz, H=3/PE~230V 50Hz



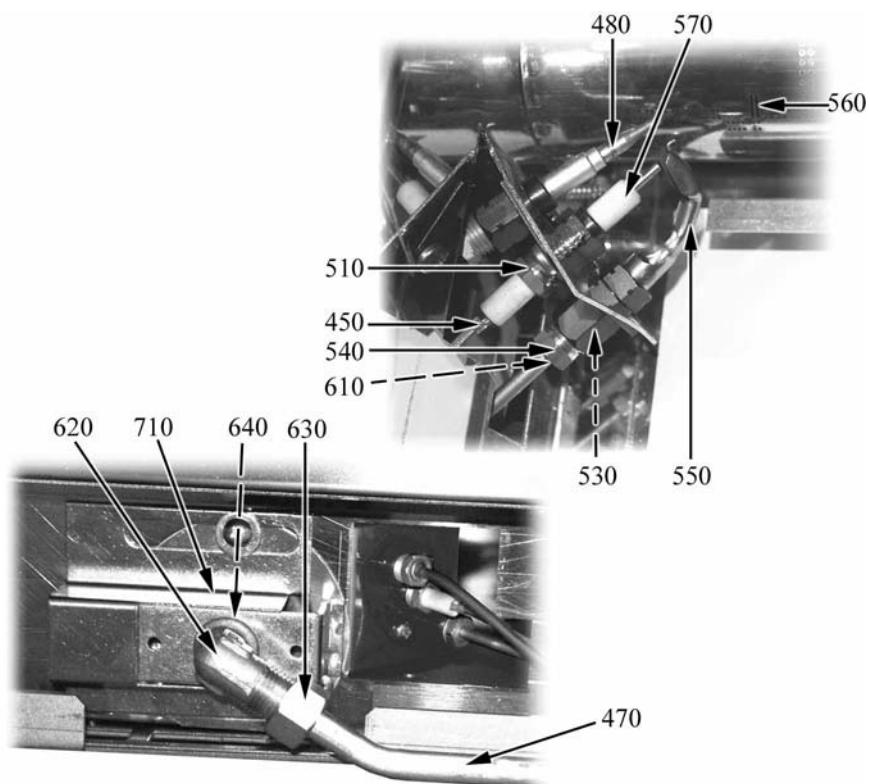
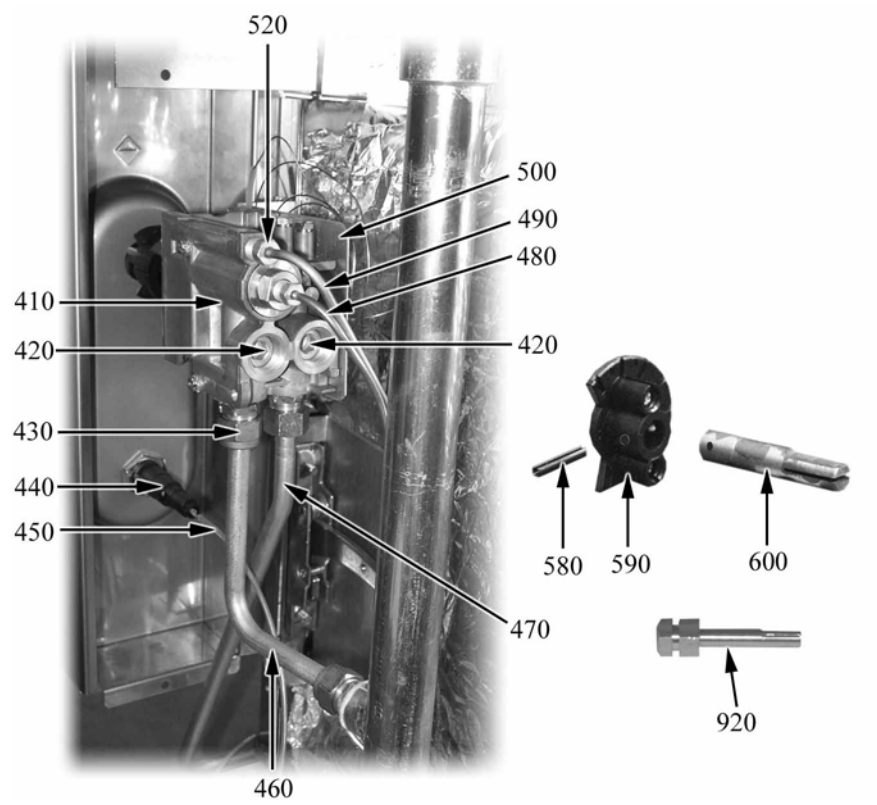
## Parti di ricambio

ID	Tipo	Descrizione	Codici
<b>Module: Componenti forno a gas (valvola, regolazione aria, bruciatore)</b>			
410	94GG,96GG,96GGE,98GG,94GG1P,96GG2P,96GGE2P,98GG2P,94GGP,96GGP,96GGEP,98GGP	Valvola	8219950
420	94GG,96GG,96GGE,98GG,94GG1P,96GG2P,96GGE2P,98GG2P,94GGP,96GGP,96GGEP,98GGP	Tappo	8219951
430	94GG,96GG,96GGE,98GG,94GG1P,96GG2P,96GGE2P,98GG2P,94GGP,96GGP,96GGEP,98GGP	Raccordo	822450170
440	94GG,96GG,96GGE,98GG,94GG1P,96GG2P,96GGE2P,98GG2P,94GGP,96GGP,96GGEP,98GGP	Accensione piezoelettrica	6A041105
450	94GG,96GG,96GGE,98GG,94GG1P,96GG2P,96GGE2P,98GG2P,94GGP,96GGP,96GGEP,98GGP	Cavo d'accensione	2510698
460	94GG,96GG,96GGE,98GG,94GG1P,96GG2P,96GGE2P,98GG2P,94GGP,96GGP,96GGEP,98GGP	Conduttura	2514615
470	94GG,96GG,96GGE,98GG,94GG1P,96GG2P,96GGE2P,98GG2P,94GGP,96GGP,96GGEP,98GGP	Conduttura	823560060
480	94GG,96GG,96GGE,98GG,94GG1P,96GG2P,96GGE2P,98GG2P,94GGP,96GGP,96GGEP,98GGP	Termocoppia	6A011904
490	94GG,96GG,96GGE,98GG,94GG1P,96GG2P,96GGE2P,98GG2P,94GGP,96GGP,96GGEP,98GGP	Conduttura	823560070
500	94GG,96GG,96GGE,98GG,94GG1P,96GG2P,96GGE2P,98GG2P,94GGP,96GGP,96GGEP,98GGP	Squadretta	2547780
510	94GG,96GG,96GGE,98GG,94GG1P,96GG2P,96GGE2P,98GG2P,94GGP,96GGP,96GGEP,98GGP	Raccordo	6A011707

92G=92/04 CG, 92TG=92/04 TCG, 94G=94/04 CG, 94TG=94/04 TCG, 94GG=94/04 CGG, 94GE=94/04 CGE, 96G=96/04 CG, 96TG=96/04 TCG, 96GG=96/04 CGG, 96GGE=96/04 CGGE, 96GE=96/04 CGE, 96GEE=96/04 CGE, 98G=98/04 CG, 98TG=98/04 TCG, 98GG=98/04CGG, 98GE=98/04 CGE, 92G1P=92/04 CG1P, 92TG1P=92/04 TCG1P, 94G1P=94/04 CG1P, 94TG1P=94/04 TCG1P, 94GG1P=94/04 CGG1P, 94GE1P=94/04 CGE1P, 96G2P=96/04 CG2P, 96TG2P=96/04 TCG2P, 96GG2P=96/04 CGG2P, 96GGE2P=96/04 CGGE2P, 96GE2P=96/04 CGE2P, 96GEE2P=96/04 CGEE2P, 98G1P=98/04 CG2P, 98TG1P=98/04 TCG2P, 98GG2P=98/04CGG2P, 98GE2P=98/04 CGE2P, 92TGP=92/04 TCGP, 92GP=92/04 CGP, 94GP=94/04 CGP, 94TGP=94/04 TCGP, 94GGP=94/04 CGGP, 94GEP=94/04 CGEP, 96GP=96/04 CGP, 96TGP=96/04 TCGP, 96GGP=96/04 CGGP, 96GGEP=96/04 CGGEP, 96GEP=96/04 CGEP, 96GEEP=96/04 CGEEP, 98GP=98/04 CGP, 98TGP=98/04 TCGP, 98GGP=98/04CGGP, 98GEP=98/04 CGEP

A=3/N/PE~400/230V 50Hz, H=3/PE~230V 50Hz





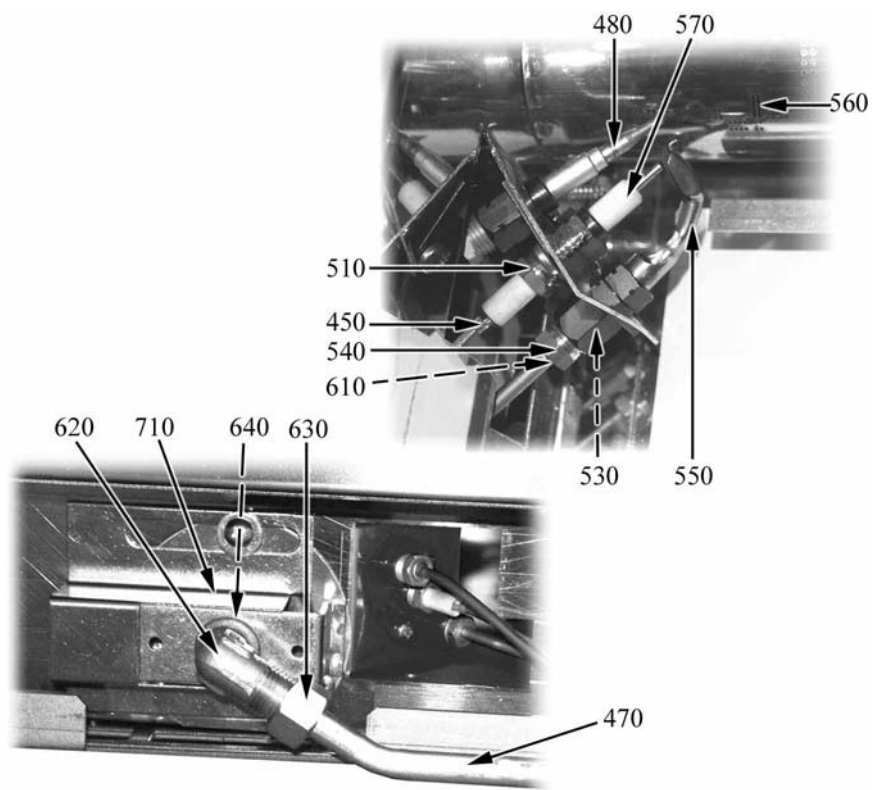
## Parti di ricambio

ID	Al	Dal	Tipo	Descrizione	Codici
520			94GG,96GG,96GGE,98GG,94GG1P,96GG2P,96GGE2P,98GG2P,94GGP,96GGP,96GGEP,98GGP	Raccordo bicono	6A011608
530			94GG,96GG,96GGE,98GG,94GG1P,96GG2P,96GGE2P,98GG2P,94GGP,96GGP,96GGEP,98GGP	Ugello 19	822140380
530			94GG,96GG,96GGE,98GG,94GG1P,96GG2P,96GGE2P,98GG2P,94GGP,96GGP,96GGEP,98GGP	Ugello 27	6A013107
530			94GG,96GG,96GGE,98GG,94GG1P,96GG2P,96GGE2P,98GG2P,94GGP,96GGP,96GGEP,98GGP	Ugello 36	822140530
530			94GG,96GG,96GGE,98GG,94GG1P,96GG2P,96GGE2P,98GG2P,94GGP,96GGP,96GGEP,98GGP	Ugello 50	6A013108
540			94GG,96GG,96GGE,98GG,94GG1P,96GG2P,96GGE2P,98GG2P,94GGP,96GGP,96GGEP,98GGP	Raccordo	822450040
550			94GG,96GG,96GGE,98GG,94GG1P,96GG2P,96GGE2P,98GG2P,94GGP,96GGP,96GGEP,98GGP	Pilota	826920070
560			94GG,96GG,96GGE,98GG,94GG1P,96GG2P,96GGE2P,98GG2P,94GGP,96GGP,96GGEP,98GGP	Bruciatore	2510697
570			94GG,96GG,96GGE,98GG,94GG1P,96GG2P,96GGE2P,98GG2P,94GGP,96GGP,96GGEP,98GGP	Candela	6A013301
580	28/02/2005		94GG,96GG,96GGE,98GG,94GG1P,96GG2P,96GGE2P,98GG2P,94GGP,96GGP,96GGEP,98GGP	Spina elastica	6A011405
590	28/02/2005		94GG,96GG,96GGE,98GG,94GG1P,96GG2P,96GGE2P,98GG2P,94GGP,96GGP,96GGEP,98GGP	Flangia	824710060
600	28/02/2005		94GG,96GG,96GGE,98GG,94GG1P,96GG2P,96GGE2P,98GG2P,94GGP,96GGP,96GGEP,98GGP	Attacco manopola	822160011
610			94GG,96GG,96GGE,98GG,94GG1P,96GG2P,96GGE2P,98GG2P,94GGP,96GGP,96GGEP,98GGP	Bicono	822450050
620			94GG,96GG,96GGE,98GG,94GG1P,96GG2P,96GGE2P,98GG2P,94GGP,96GGP,96GGEP,98GGP	Raccordo	822450010
630			94GG,96GG,96GGE,98GG,94GG1P,96GG2P,96GGE2P,98GG2P,94GGP,96GGP,96GGEP,98GGP	Dado	822180010
640			94GG,96GG,96GGE,98GG,94GG1P,96GG2P,96GGE2P,98GG2P,94GGP,96GGP,96GGEP,98GGP	Rondella	821110840
920		01/03/2005	94GG,96GG,96GGE,98GG,94GG1P,96GG2P,96GGE2P,98GG2P,94GGP,96GGP,96GGEP,98GGP	Attacco manopola	2518650

92G=92/04 CG, 92TG=92/04 TCG, 94G=94/04 CG, 94TG=94/04 TCG, 94GG=94/04 CGG, 94GE=94/04 CGE, 96G=96/04 CG, 96TG=96/04 TCG, 96GG=96/04 CGG, 96GGE=96/04 CGGE, 96GE=96/04 CGE, 96GEE=96/04 CGE, 98G=98/04 CG, 98TG=98/04 TCG, 98GG=98/04CGG, 98GE=98/04 CGE, 92G1P=92/04 CG1P, 92TG1P=92/04 TCG1P, 94G1P=94/04 CG1P, 94TG1P=94/04 TCG1P, 94GG1P=94/04 CGG1P, 94GE1P=94/04 CGE1P, 96G2P=96/04 CG2P, 96TG2P=96/04 TCG2P, 96GG2P=96/04 CGG2P, 96GGE2P=96/04 CGGE2P, 96GE2P=96/04 CGE2P, 96GEE2P=96/04 CGEE2P, 98G1P=98/04 CG2P, 98TG1P=98/04 TCG2P, 98GG2P=98/04CGG2P, 98GE2P=98/04 CGE2P, 92TGP=92/04 TCGP, 92GP=92/04 CGP, 94GP=94/04 CGP, 94TGP=94/04 TCGP, 94GGP=94/04 CGGP, 94GEP=94/04 CGEP, 96GP=96/04 CGP, 96TGP=96/04 TCGP, 96GGP=96/04 CGGP, 96GGEP=96/04 CGGEP, 96GEP=96/04 CGEP, 96GEEP=96/04 CGEEP, 98GP=98/04 CGP, 98TGP=98/04 TCGP, 98GGP=98/04CGGP, 98GEP=98/04 CGEP

A=3/N/PE~400/230V 50Hz, H=3/PE~230V 50Hz







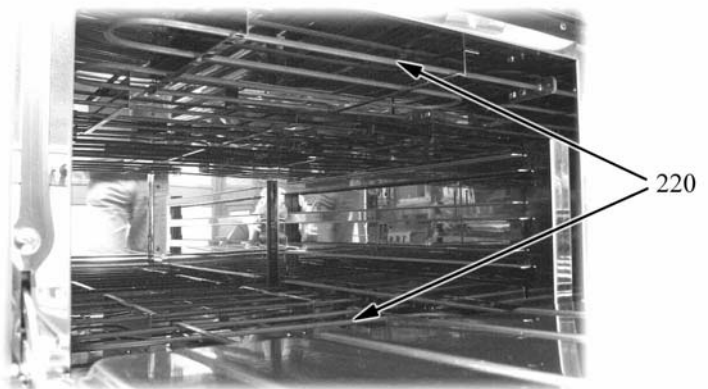
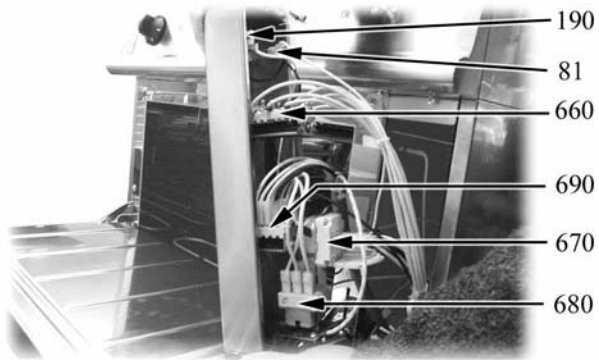
## Parti di ricambio

ID	Tipo	Descrizione	Codici
<b>Module: Componenti forno a gas (valvola, regolazione aria, bruciatore)</b>			
710	94GG,96GG,96GGE,98GG,94GG1P,96GG2P,96GGE2P,98GG2P,94GGP,96GGP,96GGEP,98GGP	Kit ugelli IT DE forno	861310090
-	94GG,96GG,96GGE,98GG,94GG1P,96GG2P,96GGE2P,98GG2P,94GGP,96GGP,96GGEP,98GGP	Ugello BA 130	
-	94GG,96GG,96GGE,98GG,94GG1P,96GG2P,96GGE2P,98GG2P,94GGP,96GGP,96GGEP,98GGP	Ugello BA 145	
-	94GG,96GG,96GGE,98GG,94GG1P,96GG2P,96GGE2P,98GG2P,94GGP,96GGP,96GGEP,98GGP	Ugello BA 245	
-	94GG,96GG,96GGE,98GG,94GG1P,96GG2P,96GGE2P,98GG2P,94GGP,96GGP,96GGEP,98GGP	Ugello BA 225	
-	94GG,96GG,96GGE,98GG,94GG1P,96GG2P,96GGE2P,98GG2P,94GGP,96GGP,96GGEP,98GGP	Ugello 27	
-	94GG,96GG,96GGE,98GG,94GG1P,96GG2P,96GGE2P,98GG2P,94GGP,96GGP,96GGEP,98GGP	Ugello 19	
710	94GG,96GG,96GGE,98GG,94GG1P,96GG2P,96GGE2P,98GG2P,94GGP,96GGP,96GGEP,98GGP	Kit ugelli H forno	2592849
-	94GG,96GG,96GGE,98GG,94GG1P,96GG2P,96GGE2P,98GG2P,94GGP,96GGP,96GGEP,98GGP	Ugello BA 145	
-	94GG,96GG,96GGE,98GG,94GG1P,96GG2P,96GGE2P,98GG2P,94GGP,96GGP,96GGEP,98GGP	Ugello BA 245	
-	94GG,96GG,96GGE,98GG,94GG1P,96GG2P,96GGE2P,98GG2P,94GGP,96GGP,96GGEP,98GGP	Ugello BA 215	
-	94GG,96GG,96GGE,98GG,94GG1P,96GG2P,96GGE2P,98GG2P,94GGP,96GGP,96GGEP,98GGP	Ugello 19	
-	94GG,96GG,96GGE,98GG,94GG1P,96GG2P,96GGE2P,98GG2P,94GGP,96GGP,96GGEP,98GGP	Ugello 27	
-	94GG,96GG,96GGE,98GG,94GG1P,96GG2P,96GGE2P,98GG2P,94GGP,96GGP,96GGEP,98GGP	Ugello 36	
710	94GG,96GG,96GGE,98GG,94GG1P,96GG2P,96GGE2P,98GG2P,94GGP,96GGP,96GGEP,98GGP	Kit ugelli Gas Citta forno a gas	2592884
-	94GG,96GG,96GGE,98GG,94GG1P,96GG2P,96GGE2P,98GG2P,94GGP,96GGP,96GGEP,98GGP	Ugello BA 145	
-	94GG,96GG,96GGE,98GG,94GG1P,96GG2P,96GGE2P,98GG2P,94GGP,96GGP,96GGEP,98GGP	Ugello BA 225	
-	94GG,96GG,96GGE,98GG,94GG1P,96GG2P,96GGE2P,98GG2P,94GGP,96GGP,96GGEP,98GGP	Ugello BA 540	
-	94GG,96GG,96GGE,98GG,94GG1P,96GG2P,96GGE2P,98GG2P,94GGP,96GGP,96GGEP,98GGP	Ugello BA 500	
-	94GG,96GG,96GGE,98GG,94GG1P,96GG2P,96GGE2P,98GG2P,94GGP,96GGP,96GGEP,98GGP	Ugello 19	
-	94GG,96GG,96GGE,98GG,94GG1P,96GG2P,96GGE2P,98GG2P,94GGP,96GGP,96GGEP,98GGP	Ugello 27	
-	94GG,96GG,96GGE,98GG,94GG1P,96GG2P,96GGE2P,98GG2P,94GGP,96GGP,96GGEP,98GGP	Ugello 50	

92G=92/04 CG, 92TG=92/04 TCG, 94G=94/04 CG, 94TG=94/04 TCG, 94GG=94/04 CGG, 94GE=94/04 CGE, 96G=96/04 CG, 96TG=96/04 TCG, 96GG=96/04 CGG, 96GGE=96/04 CGGE, 96GE=96/04 CGE, 96GEE=96/04 CGE, 98G=98/04 CG, 98TG=98/04 TCG, 98GG=98/04CGG, 98GE=98/04 CGE, 92G1P=92/04 CG1P, 92TG1P=92/04 TCG1P, 94G1P=94/04 CG1P, 94TG1P=94/04 TCG1P, 94GG1P=94/04 CGG1P, 94GE1P=94/04 CGE1P, 96G2P=96/04 CG2P, 96TG2P=96/04 TCG2P, 96GG2P=96/04 CGG2P, 96GGE2P=96/04 CGGE2P, 96GE2P=96/04 CGE2P, 96GEE2P=96/04 CGEE2P, 98G1P=98/04 CG2P, 98TG1P=98/04 TCG2P, 98GG2P=98/04CGG2P, 98GE2P=98/04 CGE2P, 92TGP=92/04 TCGP, 92GP=92/04 CGP, 94GP=94/04 CGP, 94TGP=94/04 TCGP, 94GGP=94/04 CGGP, 94GEP=94/04 CGEP, 96GP=96/04 CGP, 96TGP=96/04 TCGP, 96GGP=96/04 CGGP, 96GGE=96/04 CGGE, 96GEP=96/04 CGEP, 96GEEP=96/04 CGEEP, 98GP=98/04 CGP, 98TGP=98/04 TCGP, 98GGP=98/04CGGP, 98GEP=98/04 CGEP

A=3/N/PE~400/230V 50Hz, H=3/PE~230V 50Hz



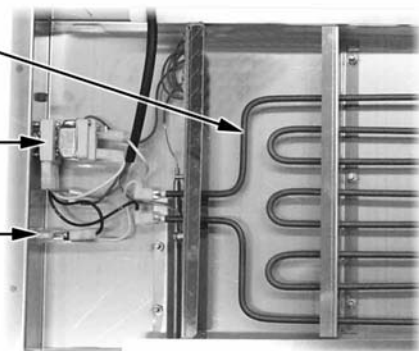


740

700

650

81



## Parti di ricambio

ID	Tipo	Descrizione	Codici
<b>Module: Componenti forno elettrico e armadio caldo</b>			
81	94GE,96GGE,96GE,96GEE,98GE,94GE1P,96GGE2P,96GE2P,96GEE2P,98GE2P,94GEP,96GGEP,96GEP,96GEEP,98GEP	Gemma bianca	6A039207
190	94GE,96GE,96GEE,98GE,94GE1P,96GE2P,96GEE2P,98GE2P,94GEP,96GGEP,96GEEP,98GEP	Gemma verde	6A038507
660	94GE,96GE,96GEE,98GE,94GE1P,96GE2P,96GEE2P,98GE2P,94GEP,96GGEP,96GEEP,98GEP	Commutatore	6A046750
670	96GGE,96GEE,96GGE2P,96GEE2P,96GGEP,96GEEP	Termostato	826630123
680	96GGE,96GEE,96GGE2P,96GEE2P,96GGEP,96GEEP	Termostato sicurezza	826630130
690	96GGE,96GEE,96GGE2P,96GEE2P,96GGEP,96GEEP	Commutatore	6A046001
220	94GE,96GE,96GEE,98GE,94GE1P,96GE2P,96GEE2P,98GE2P,94GEP,96GGEP,96GEEP,98GEP	Resistenza 1500 W	826620041
700	96GGE,96GEE,96GGE2P,96GEE2P,96GGEP,96GEEP	Resistenza 700 W	826620031
650	96GGE,96GEE,96GGE2P,96GEE2P,96GGEP,96GEEP	Interruttore	826630230
740	96GGE,96GEE,96GGE2P,96GEE2P,96GGEP,96GEEP	Contattore	6A047031

92G=92/04 CG, 92TG=92/04 TCG, 94G=94/04 CG, 94TG=94/04 TCG, 94GG=94/04 CGG, 94GE=94/04 CGE, 96G=96/04 CG, 96TG=96/04 TCG, 96GG=96/04 CGG, 96GGE=96/04 CGGE, 96GE=96/04 CGE, 96GEE=96/04 CGE, 98G=98/04 CG, 98TG=98/04 TCG, 98GG=98/04 CGG, 98GE=98/04 CGE, 92G1P=92/04 CG1P, 92TG1P=92/04 TCG1P, 94G1P=94/04 CG1P, 94TG1P=94/04 TCG1P, 94GG1P=94/04 CGG1P, 94GE1P=94/04 CGE1P, 96G2P=96/04 CG2P, 96TG2P=96/04 TCG2P, 96GG2P=96/04 CGG2P, 96GGE2P=96/04 CGGE2P, 96GE2P=96/04 CGE2P, 96GEE2P=96/04 CGEE2P, 98G1P=98/04 CG2P, 98TG1P=98/04 TCG2P, 98GG2P=98/04 CGG2P, 98GE2P=98/04 CGE2P, 92TGP=92/04 TCGP, 92GP=92/04 CGP, 94GP=94/04 CGP, 94TGP=94/04 TCGP, 94GGP=94/04 CGGP, 94GEP=94/04 CGEP, 96GP=96/04 CGP, 96TGP=96/04 TCGP, 96GGP=96/04 CGGP, 96GGEP=96/04 CGGEP, 96GEP=96/04 CGEP, 96GEEP=96/04 CGEEP, 98GP=98/04 CGP, 98TGP=98/04 TCGP, 98GGP=98/04 CGGP, 98GEP=98/04 CGEP

A=3/N/PE~400/230V 50Hz, H=3/PE~230V 50Hz

