

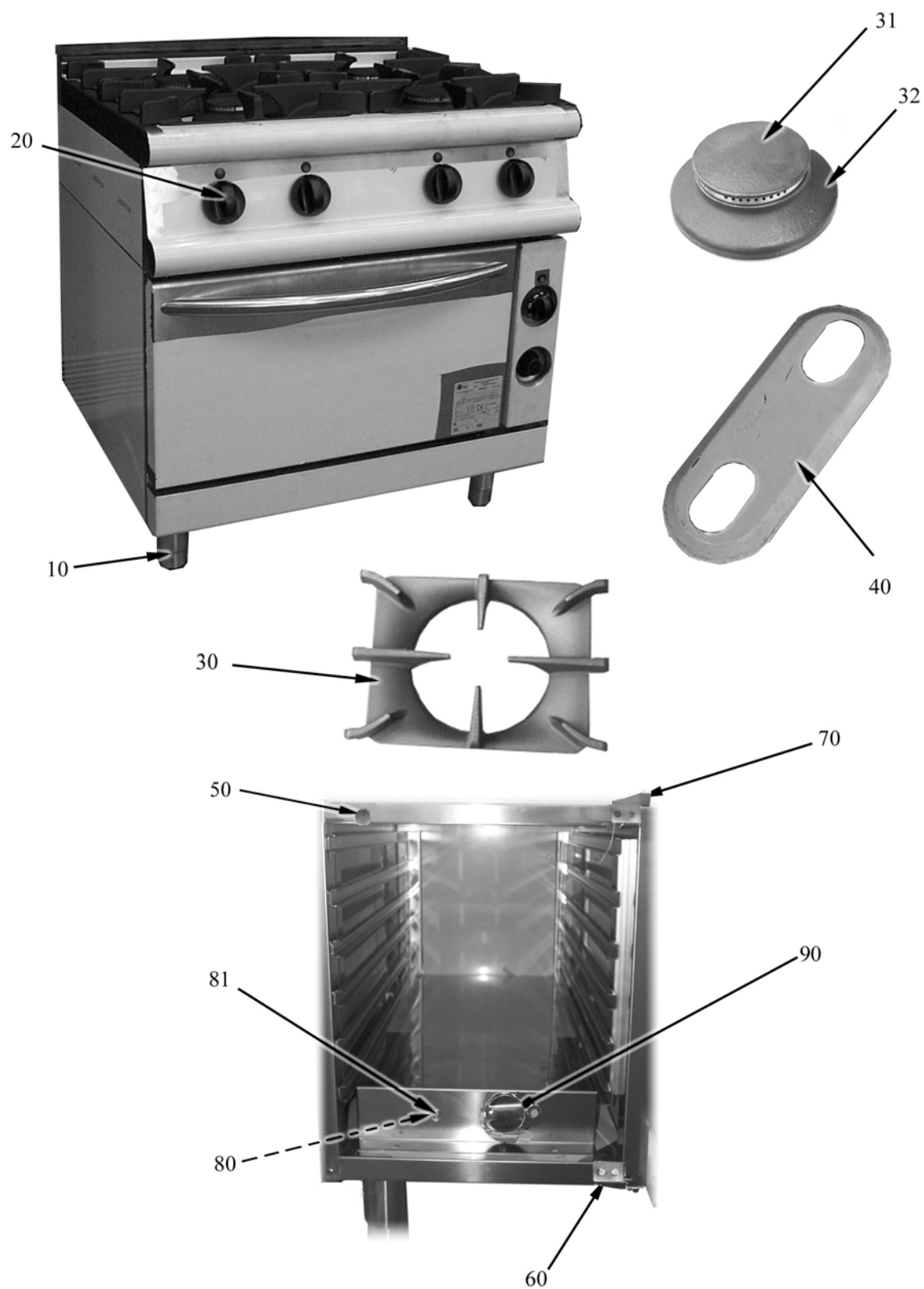
CUCINE A GAS

Serie 700

TIPO: 7PC/G400, 7PCV/G400, 7PC/G800, 7PCV/G800, 7PCF/G800, 7PCF/GE800,
7PC/G120, 7PCV/G120, 7PCF/G120, 7PCF/GE120, 7PC/G160, 7PCV/G160, 7PCF/G160,
7PCF/GE160, 7PC/G411, 7PCV/G411, 7PC/G811, 7PCV/G811, 7PCF/G811, 7PCF/GE411,
7PC/G121, 7PCV/G121, 7PCF/G121, 7PCF/GE121, 7PC/G161, 7PCV/G161, 7PCF/G161,
7PCF/GE161, 7PCFL/G120, Kit riscaldante

Ricambi





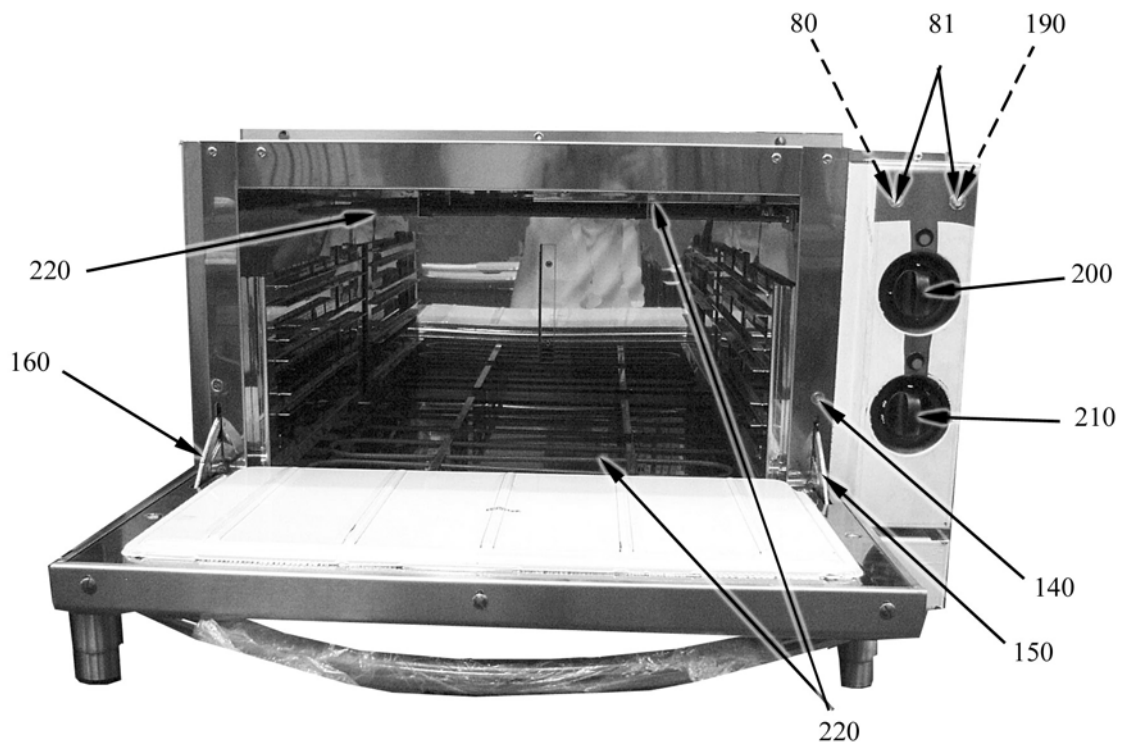
Parti di ricambio

ID	Tipo	Descrizione	Codici
Module: Parti esterne fuochi e armadio caldo			
10		Piedino	41826490142
20		Manopola cucina gas nera	41824710100
30		Griglia smaltata	41822410390
31		Bruciatore (spartifiamma piccolo)	41822410071
31		Bruciatore (spartifiamma medio)	41822410081
32		Corpo Bruciatore piccolo	41822410041
32		Corpo Bruciatore medio	41822410051
40		Chisura superiore	41821530120
50	120FG,120FGE,121FG,121FGE	Magnete	41826900011
60	120FG,120FGE,121FG,121FGE	Cerniera inferiore dx/superiore sx porta	41826410020
70	120FG,120FGE,121FG,121FGE	Cerniera inferiore sx/superiore dx porta	41826410010
80	800FGE,120FGE,160FGE, 811FGE,121FGE	Segnalatore luminoso verde	41826650050
81	800FGE,120FGE,160FGE, 811FGE,121FGE	Gemma bianca	41826650040
90	7KR	Manopola nera per armadio caldo	41824710360

=

400G=7PC/G400, 400VG=7PCV/G400, 800G=7PC/G800, 800VG=7PCV/G800, 800FG=7PCF/G800, 800FGE=7PCF/GE800, 120G=7PC/G120, 120VG=7PCV/G120, 120FG=7PCF/G120, 120FGE=7PCF/GE120, 160G=7PC/G160, 160VG=7PCV/G160, 160FG=7PCF/G160, 160FGE=7PCF/GE160, 411G=7PC/G411, 411VG=7PCV/G411, 811G=7PC/G811, 811VG=7PCV/G811, 811FG=7PCF/G811, 811FGE=7PCF/GE411, 121G=7PC/G121, 121VG=7PCV/G121, 121FG=7PCF/G121, 121FGE=7PCF/GE121, 161G=7PC/G161, 161VG=7PCV/G161, 161FG=7PCF/G161, 161FGE=7PCF/GE161, 120FLG=7PCFL/G120, 7KR=Kit riscaldante

A=3/N/PE~400/230V 50Hz, H=3/PE~230V 50Hz, P=1/N/PE~220-240V 50Hz



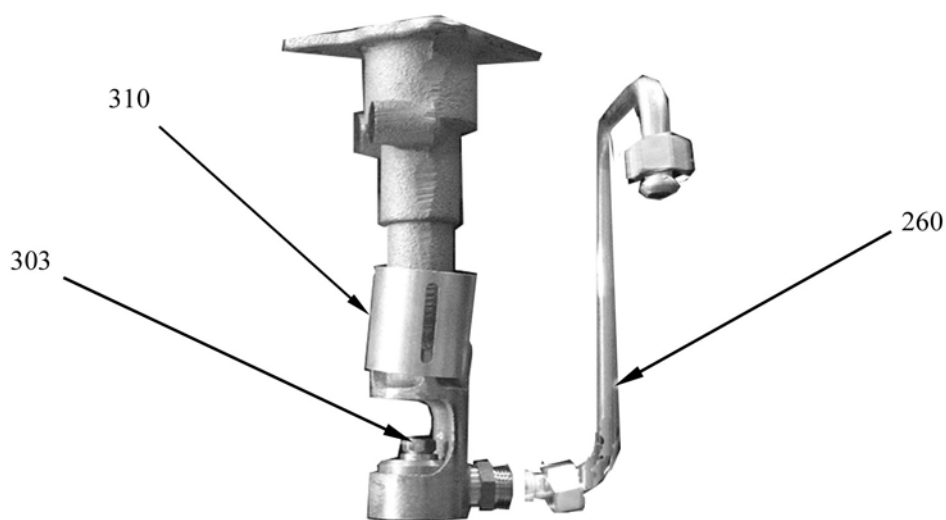
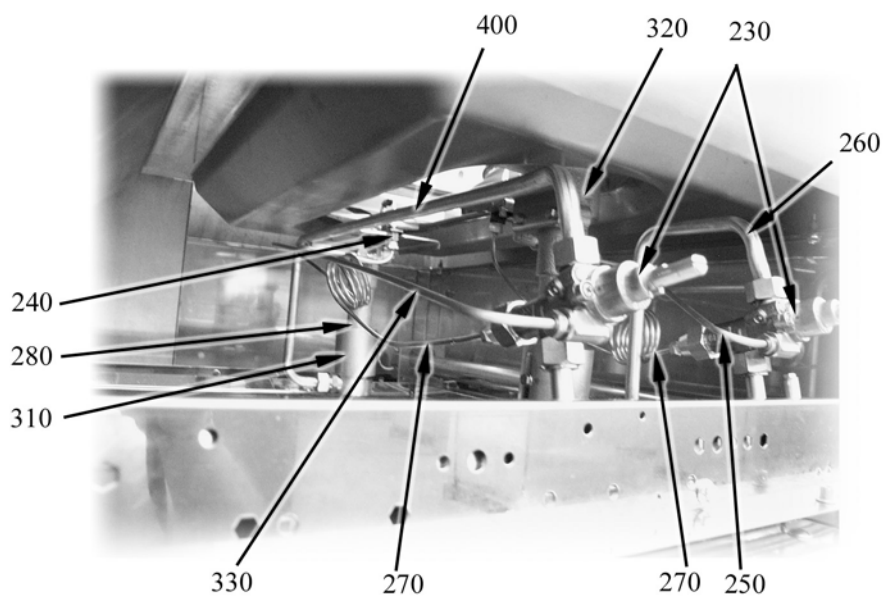
Parti di ricambio

ID	Tipo	Descrizione	Codici
Module: Parti esterne forno gas ed elettrico			
80	800FGE,120FGE,160FGE,811FGE, 121FGE	Segnalatore luminoso verde	41826650050
81	800FGE,120FGE,160FGE,811FGE, 121FGE	Gemma bianca	41826650040
100	800FG,120FG,160FG,811FG,121FG,161FG	Manopola nera per forno	41824710110
110	800FG,120FG,160FG,811FG,121FG,161FG	Accensione piezoelettrica	41826630020
120	800FG,120FG,160FG,811FG,121FG,161FG	Rondella	41822160540
130	800FG,120FG,160FG,811FG,121FG,161FG	Cappuccio	41826630420
140	800FG,120FG,160FG,800FGE,120FGE,160FGE,811FG,121FG,161FG, 811FGE,121FGE,161FGE	Portarullini per cerniera	41826410050
150	800FG,120FG,160FG,800FGE,120FGE,160FGE,811FG,121FG,161FG, 811FGE,121FGE,161FGE	Cerniera dx	41826410060
160	800FG,120FG,160FG,800FGE,120FGE,160FGE,811FG,121FG,161FG, 811FGE,121FGE,161FGE	Cerniera sx	41826410070
170	800FG,120FG,160FG,800FGE,120FGE,160FGE,811FG,121FG,161FG, 811FGE,121FGE,161FGE	Suola forno	41821410191
180	800FG,120FG,160FG,800FGE,120FGE,160FGE,811FG,121FG,161FG, 811FGE,121FGE,161FGE	Griglia	41826330030
190	800FGE,120FGE,160FGE,811FGE, 121FGE,161FGE	Segnalatore luminoso arancio	41826650060
200	800FGE,120FGE,160FGE,811FGE, 121FGE,161FGE	Manopola commutatore forno elettrico	41824710710
210	800FGE,120FGE,160FGE,811FGE, 121FGE,161FGE	Manopola forno elettrico nera	41824710270
220	800FGE,120FGE,160FGE,811FGE, 121FGE,161FGE	Resistenza 1500 W	41826620041

=

400G=7PC/G400, 400VG=7PCV/G400, 800G=7PC/G800, 800VG=7PCV/G800, 800FG=7PCF/G800, 800FGE=7PCF/GE800, 120G=7PC/G120, 120VG=7PCV/G120, 120FG=7PCF/G120, 120FGE=7PCF/GE120, 160G=7PC/G160, 160VG=7PCV/G160, 160FG=7PCF/G160, 160FGE=7PCF/GE160, 411G=7PC/G411, 411VG=7PCV/G411, 811G=7PC/G811, 811VG=7PCV/G811, 811FG=7PCF/G811, 811FGE=7PCF/GE411, 121G=7PC/G121, 121VG=7PCV/G121, 121FG=7PCF/G121, 121FGE=7PCF/GE121, 161G=7PC/G161, 161VG=7PCV/G161, 161FG=7PCF/G161, 161FGE=7PCF/GE161, 120FLG=7PCFL/G120, 7KR=Kit riscaldante

A=3/N/PE~400/230V 50Hz, H=3/PE~230V 50Hz, P=1/N/PE~220-240V 50Hz



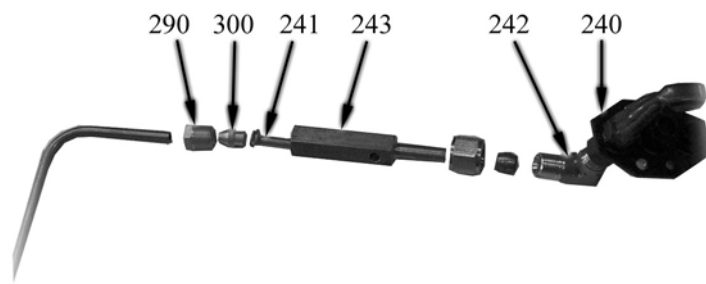
Parti di ricambio

ID	Tipo	Descrizione	Codici
Module: Bruciatori e condutture fuochi aperti			
230		Rubinetto	41826920040
240		Pilota	41826920140
250		Conduttura Rub./Pil. ant.	41823561391
260		Conduttura Rub./Bruc. ant	41823561370
270		Termocoppia	41826920080
280		Venturi piccolo	41822410012
303		Ugello L 80	41822140270
303		Ugello L 105	41822140150
303		Ugello L 95	41822140140
303		Ugello L 120	41822140160
303		Ugello 145	41822140040
303		Ugello 180	41822140210
303		Ugello 155	41822140190
303		Ugello 200	41822140220
310		Regolatore d'aria	41822120020
320		Venturi grande	41822410022
330		Conduttura Rub./Pil. post.	41823561381
400		Conduttura Rub./Bruc. Post.	41823561360

=

400G=7PC/G400, 400VG=7PCV/G400, 800G=7PC/G800, 800VG=7PCV/G800, 800FG=7PCF/G800, 800FGE=7PCF/GE800, 120G=7PC/G120, 120VG=7PCV/G120, 120FG=7PCF/G120, 120FGE=7PCF/GE120, 160G=7PC/G160, 160VG=7PCV/G160, 160FG=7PCF/G160, 160FGE=7PCF/GE160, 411G=7PC/G411, 411VG=7PCV/G411, 811G=7PC/G811, 811VG=7PCV/G811, 811FG=7PCF/G811, 811FGE=7PCF/GE411, 121G=7PC/G121, 121VG=7PCV/G121, 121FG=7PCF/G121, 121FGE=7PCF/GE121, 161G=7PC/G161, 161VG=7PCV/G161, 161FG=7PCF/G161, 161FGE=7PCF/GE161, 120FLG=7PCFL/G120, 7KR=Kit riscaldante

A=3/N/PE~400/230V 50Hz, H=3/PE~230V 50Hz, P=1/N/PE~220-240V 50Hz



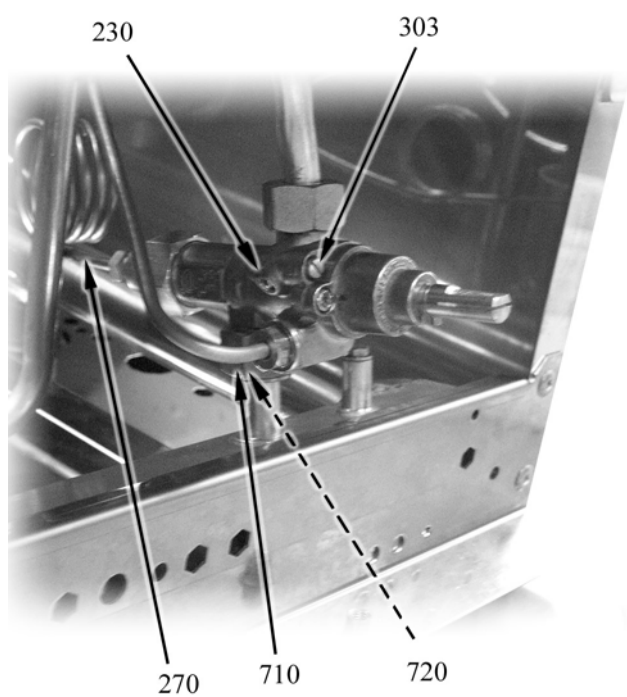
Parti di ricambio

ID	Tipo	Descrizione	Codici
Module: Bruciatori e condutture fuochi aperti			
240		Pilota	41826920140
241		Ugello 19	41822140380
241		Ugello 27	41822140120
242		Raccordo 90	41822450610
243		Prolunga pilota fuochi	41822160460
290		Raccordo bicono	41822450040
300		Bicono	41822450050

=

400G=7PC/G400, 400VG=7PCV/G400, 800G=7PC/G800, 800VG=7PCV/G800, 800FG=7PCF/G800, 800FGE=7PCF/GE800, 120G=7PC/G120, 120VG=7PCV/G120, 120FG=7PCF/G120, 120FGE=7PCF/GE120, 160G=7PC/G160, 160VG=7PCV/G160, 160FG=7PCF/G160, 160FGE=7PCF/GE160, 411G=7PC/G411, 411VG=7PCV/G411, 811G=7PC/G811, 811VG=7PCV/G811, 811FG=7PCF/G811, 811FGE=7PCF/GE411, 121G=7PC/G121, 121VG=7PCV/G121, 121FG=7PCF/G121, 121FGE=7PCF/GE121, 161G=7PC/G161, 161VG=7PCV/G161, 161FG=7PCF/G161, 161FGE=7PCF/GE161, 120FLG=7PCFL/G120, 7KR=Kit riscaldante

A=3/N/PE~400/230V 50Hz, H=3/PE~230V 50Hz, P=1/N/PE~220-240V 50Hz



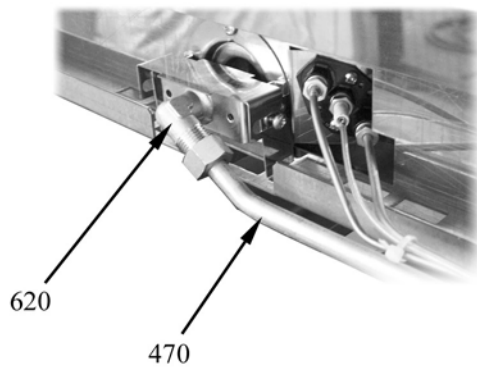
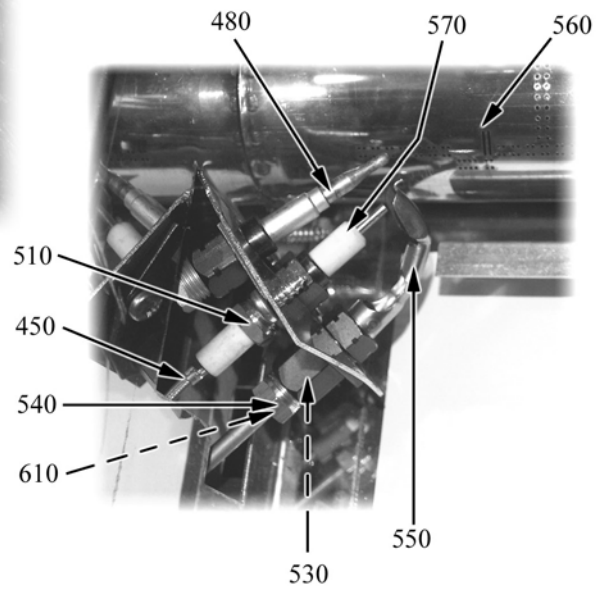
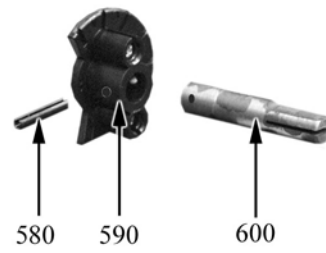
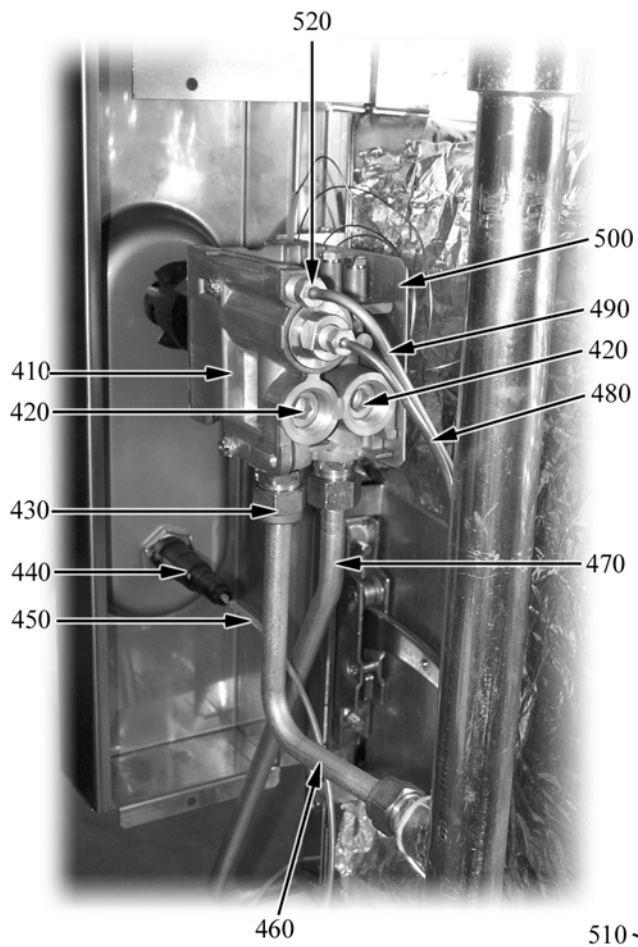
Parti di ricambio

ID	Tipo	Descrizione	Codici
Module:Rubinetto			
230		Rubinetto	41826920040
270		Termocoppia	41826920080
303		Vite di minimo 80	41822450240
303		Vite di minimo 120	41822450280
303		Vite di minimo 50	41822450210
303		Vite di minimo 75	41822450230
303		Vite di minimo 90	41822450260
303		Vite di minimo 130	41822450290
303		Vite di minimo 45	41822450200
303		Vite di minimo 65	41822450220
710		Dado	41822450090
720		Bicono	41822450100

=

400G=7PC/G400, 400VG=7PCV/G400, 800G=7PC/G800, 800VG=7PCV/G800, 800FG=7PCF/G800, 800FGE=7PCF/GE800, 120G=7PC/G120, 120VG=7PCV/G120, 120FG=7PCF/G120, 120FGE=7PCF/GE120, 160G=7PC/G160, 160VG=7PCV/G160, 160FG=7PCF/G160, 160FGE=7PCF/GE160, 411G=7PC/G411, 411VG=7PCV/G411, 811G=7PC/G811, 811VG=7PCV/G811, 811FG=7PCF/G811, 811FGE=7PCF/GE411, 121G=7PC/G121, 121VG=7PCV/G121, 121FG=7PCF/G121, 121FGE=7PCF/GE121, 161G=7PC/G161, 161VG=7PCV/G161, 161FG=7PCF/G161, 161FGE=7PCF/GE161, 120FLG=7PCFL/G120, 7KR=Kit riscaldante

A=3/N/PE~400/230V 50Hz, H=3/PE~230V 50Hz, P=1/N/PE~220-240V 50Hz



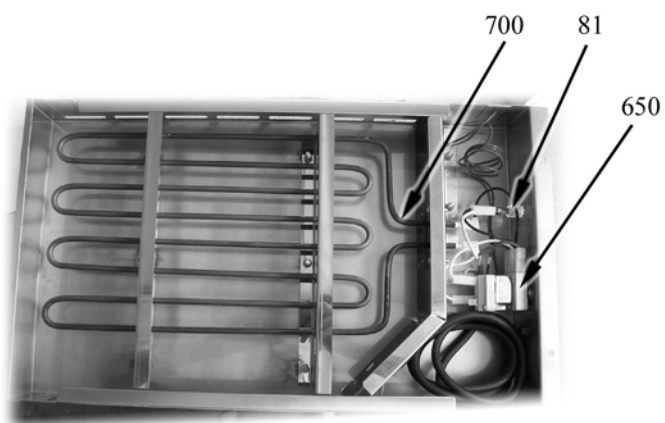
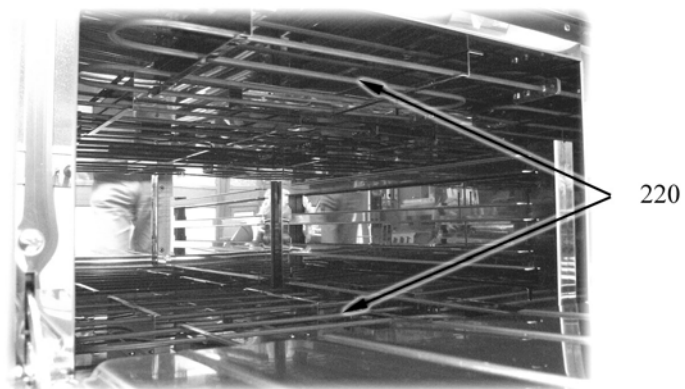
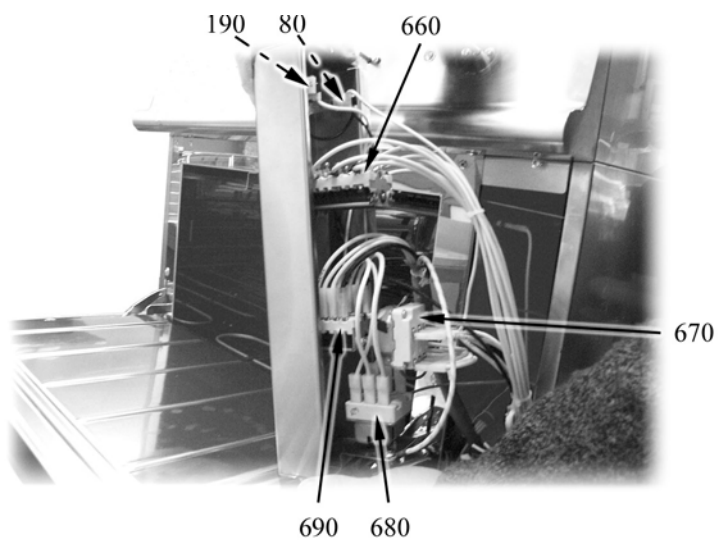
Parti di ricambio

ID	Tipo	Descrizione	Codici
Module: Componenti forno a gas (valvola, regolazione aria, bruciatore)			
410	800FG,120FG,160FG,811FG, 121FG,161FG	Valvola	41826920012
420	800FG,120FG,160FG,811FG, 121FG,161FG	Tappo	41822450020
430	800FG,120FG,160FG,811FG, 121FG,161FG	Raccordo	41822450170
440	800FG,120FG,160FG,811FG, 121FG,161FG	Accensione piezoelettrica	41826630020
450	800FG,120FG,160FG,811FG, 121FG,161FG	Cavo d'accensione	41826690011
460	800FG,120FG,160FG,811FG, 121FG,161FG	Conduttura Valvola/Rampa	41823560011
470	800FG,120FG,160FG,811FG, 121FG,161FG	Conduttura Valvola/Bruciatore forno	41823560060
480	800FG,120FG,160FG,811FG, 121FG,161FG	Termocoppia	41826920080
490	800FG,120FG,160FG,811FG, 121FG,161FG	Conduttura Valvola/Pilota forno	41823560070
500	800FG,120FG,160FG,811FG, 121FG,161FG	Squadretta	41821120040
510	800FG,120FG,160FG,811FG, 121FG,161FG	Raccordo	41822450070
520	800FG,120FG,160FG,811FG, 121FG,161FG	Raccordo bicono	41822450060
530	800FG,120FG,160FG,811FG, 121FG,161FG	Ugello 19	41822140380
530	800FG,120FG,160FG,811FG, 121FG,161FG	Ugello 27	41822140120
540	800FG,120FG,160FG,811FG, 121FG,161FG	Raccordo	41822450040
550	800FG,120FG,160FG,811FG, 121FG,161FG	Pilota	41826920070
560	800FG,120FG,160FG,811FG, 121FG,161FG	Bruciatore	41826390050
570	800FG,120FG,160FG,811FG, 121FG,161FG	Candela	41826650010
580	800FG,120FG,160FG,811FG, 121FG,161FG	Spina elastica	418227993140
590	800FG,120FG,160FG,811FG, 121FG,161FG	Flangia	41824710060
600	800FG,120FG,160FG,811FG, 121FG,161FG	Attacco manopola	41822160011
610	800FG,120FG,160FG,811FG, 121FG,161FG	Bicono	41822450050
620	800FG,120FG,160FG,811FG, 121FG,161FG	Raccordo	41822450010

=

400G=7PC/G400, 400VG=7PCV/G400, 800G=7PC/G800, 800VG=7PCV/G800, 800FG=7PCF/G800, 800FGE=7PCF/GE800, 120G=7PC/G120, 120VG=7PCV/G120, 120FG=7PCF/G120, 120FGE=7PCF/GE120, 160G=7PC/G160, 160VG=7PCV/G160, 160FG=7PCF/G160, 160FGE=7PCF/GE160, 411G=7PC/G411, 411VG=7PCV/G411, 811G=7PC/G811, 811VG=7PCV/G811, 811FG=7PCF/G811, 811FGE=7PCF/GE411, 121G=7PC/G121, 121VG=7PCV/G121, 121FG=7PCF/G121, 121FGE=7PCF/GE121, 161G=7PC/G161, 161VG=7PCV/G161, 161FG=7PCF/G161, 161FGE=7PCF/GE161, 120FLG=7PCFL/G120, 7KR=Kit riscaldante

A=3/N/PE~400/230V 50Hz, H=3/PE~230V 50Hz, P=1/N/PE~220-240V 50Hz



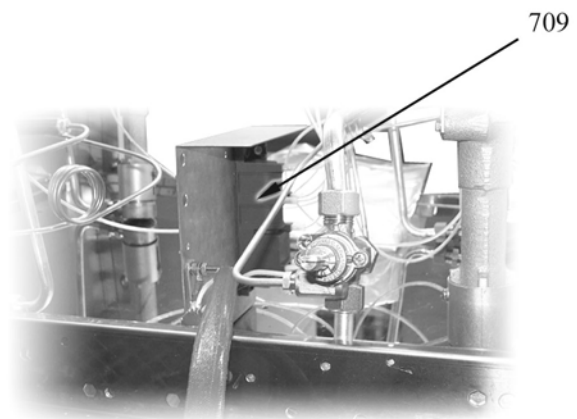
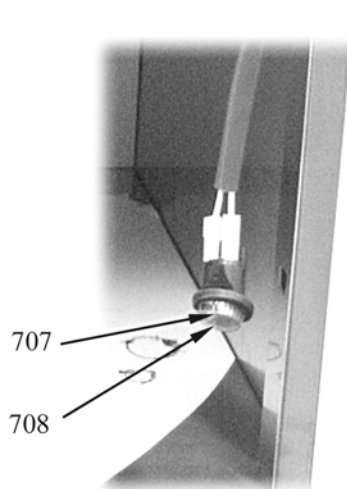
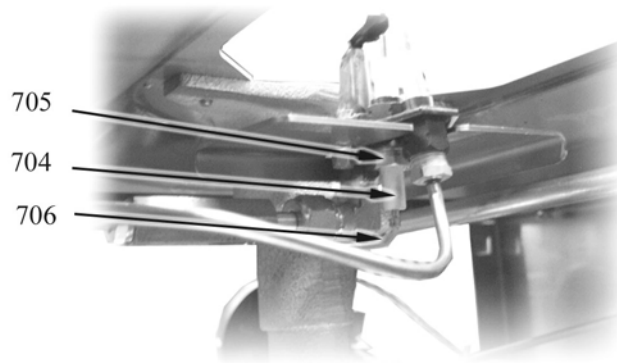
Parti di ricambio

ID	Tipo	Descrizione	Codici
Module: Componenti forno elettrico e armadio caldo			
80	800FGE,120FGE,160FGE,811FGE,121FGE,161FGE	Segnalatore luminoso verde	41826650050
81	800FGE,120FGE,160FGE,811FGE,121FGE,161FGE,7KR	Gemma bianca	41826650040
190	800FGE,120FGE,160FGE,811FGE,121FGE,161FGE	Segnalatore luminoso arancio	41826650060
220	800FGE,120FGE,160FGE,811FGE,121FGE,161FGE	Resistenza 1500 W	41826620041
650	7KR	Interruttore	41826630230
660	800FGE,120FGE,160FGE,811FGE,121FGE,161FGE	Commutatore	418SA046750
670	800FGE,120FGE,160FGE,811FGE,121FGE,161FGE	Termostato	41826630123
680	800FGE,120FGE,160FGE,811FGE,121FGE,161FGE	Termostato sicurezza	41826630130
690	800FGE,120FGE,160FGE,811FGE,121FGE,161FGE	Commutatore	41826630150
700	7KR	Resistenza 700 W	41826620031

=

400G=7PC/G400, 400VG=7PCV/G400, 800G=7PC/G800, 800VG=7PCV/G800, 800FG=7PCF/G800, 800FGE=7PCF/GE800, 120G=7PC/G120, 120VG=7PCV/G120, 120FG=7PCF/G120, 120FGE=7PCF/GE120, 160G=7PC/G160, 160VG=7PCV/G160, 160FG=7PCF/G160, 160FGE=7PCF/GE160, 411G=7PC/G411, 411VG=7PCV/G411, 811G=7PC/G811, 811VG=7PCV/G811, 811FG=7PCF/G811, 811FGE=7PCF/GE411, 121G=7PC/G121, 121VG=7PCV/G121, 121FG=7PCF/G121, 121FGE=7PCF/GE121, 161G=7PC/G161, 161VG=7PCV/G161, 161FG=7PCF/G161, 161FGE=7PCF/GE161, 120FLG=7PCFL/G120, 7KR=Kit riscaldante

A=3/N/PE~400/230V 50Hz, H=3/PE~230V 50Hz, P=1/N/PE~220-240V 50Hz



Parti di ricambio

ID	Tipo	Descrizione	Codici
Module:Componenti accensione elettrica			
702	411G,411VG,811G,811VG,811FG,811FGE,121G,121VG,121FG,121FGE,161G,161VG,161FG,161FGE	Piletta di scarico	41822160101
703	411G,411VG,811G,811VG,811FG,811FGE,121G,121VG,121FG,121FGE,161G,161VG,161FG,161FGE	Guarnizione	41824710280
704	411G,411VG,811G,811VG,811FG,811FGE,121G,121VG,121FG,121FGE,161G,161VG,161FG,161FGE	Candela	41826650010
705	411G,411VG,811G,811VG,811FG,811FGE,121G,121VG,121FG,121FGE,161G,161VG,161FG,161FGE	Dado candela	41822450070
706	411G,411VG,811G,811VG,811FG,811FGE,121G,121VG,121FG,121FGE,161G,161VG,161FG,161FGE	Cavo d'accensione L=600	41826690052
706	411G,411VG,811G,811VG,811FG,811FGE,121G,121VG,121FG,121FGE,161G,161VG,161FG,161FGE	Cavo d'accensione L=1100	41826690062
706	411G,411VG,811G,811VG,811FG,811FGE,121G,121VG,121FG,121FGE,161G,161VG,161FG,161FGE	Cavo d'accensione L=1900	41826690550
707	411G,411VG,811G,811VG,811FG,811FGE,121G,121VG,121FG,121FGE,161G,161VG,161FG,161FGE	Tasto rosso	41826630050
708	411G,411VG,811G,811VG,811FG,811FGE,121G,121VG,121FG,121FGE,161G,161VG,161FG,161FGE	Cappuccio	41826630060
709	411G,411VG,811G,811VG,811FG,811FGE,121G,121VG,121FG,121FGE,161G,161VG,161FG,161FGE	Trasformatore	41826630400

=

400G=7PC/G400, 400VG=7PCV/G400, 800G=7PC/G800, 800VG=7PCV/G800, 800FG=7PCF/G800, 800FGE=7PCF/GE800, 120G=7PC/G120, 120VG=7PCV/G120, 120FG=7PCF/G120, 120FGE=7PCF/GE120, 160G=7PC/G160, 160VG=7PCV/G160, 160FG=7PCF/G160, 160FGE=7PCF/GE160, 411G=7PC/G411, 411VG=7PCV/G411, 811G=7PC/G811, 811VG=7PCV/G811, 811FG=7PCF/G811, 811FGE=7PCF/GE411, 121G=7PC/G121, 121VG=7PCV/G121, 121FG=7PCF/G121, 121FGE=7PCF/GE121, 161G=7PC/G161, 161VG=7PCV/G161, 161FG=7PCF/G161, 161FGE=7PCF/GE161, 120FLG=7PCFL/G120, 7KR=Kit riscaldante

A=3/N/PE~400/230V 50Hz, H=3/PE~230V 50Hz, P=1/N/PE~220-240V 50Hz