



## CUCINE TUTTAPIASTRA Serie 700

TIPO: 74/02CTG, 74/02TCTG, 74/02CTGG, 74/02+2CTGG, 2FX+PCF, 74/02CTGE,  
76/02CTG, 76/02CTGG, 76/02+4CTGG, 4FX+PCF, 76/02TCTGG, 76/02CTGGE

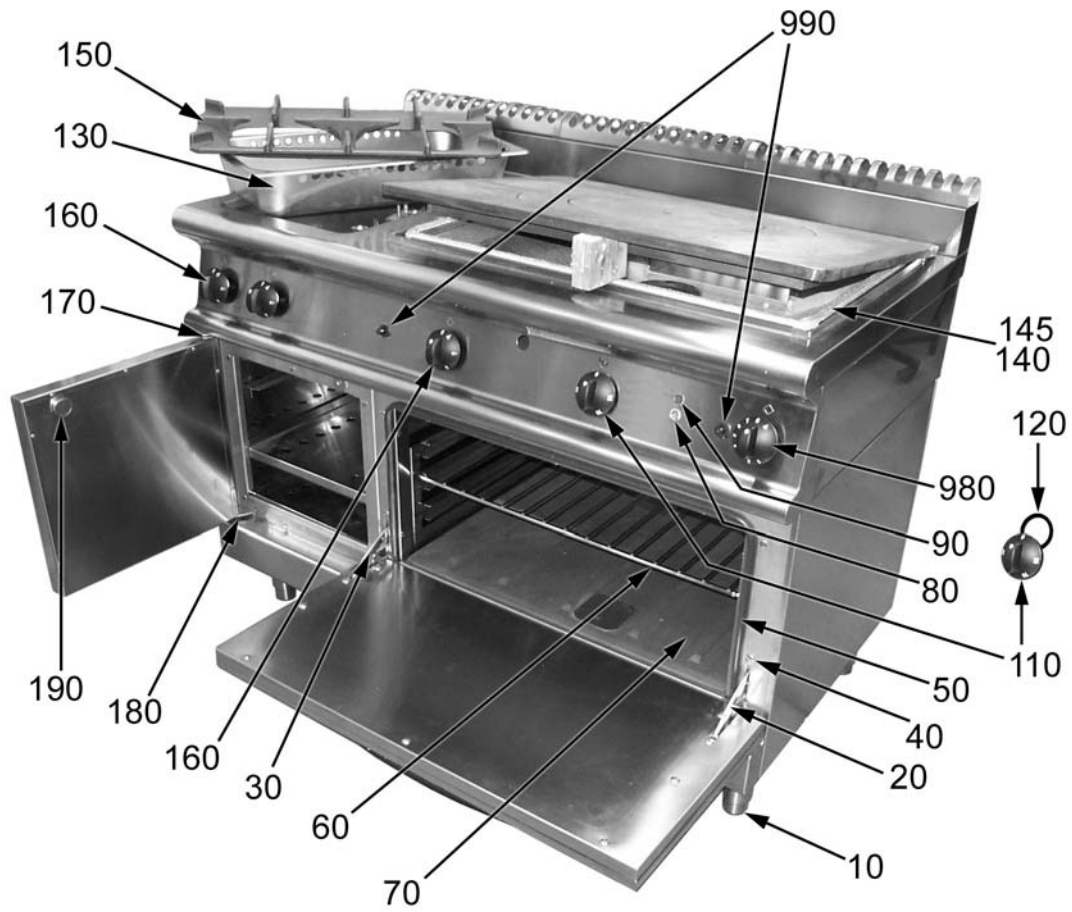
---

### Parti di ricambio

---



Parti di ricambio



## Parti di ricambio

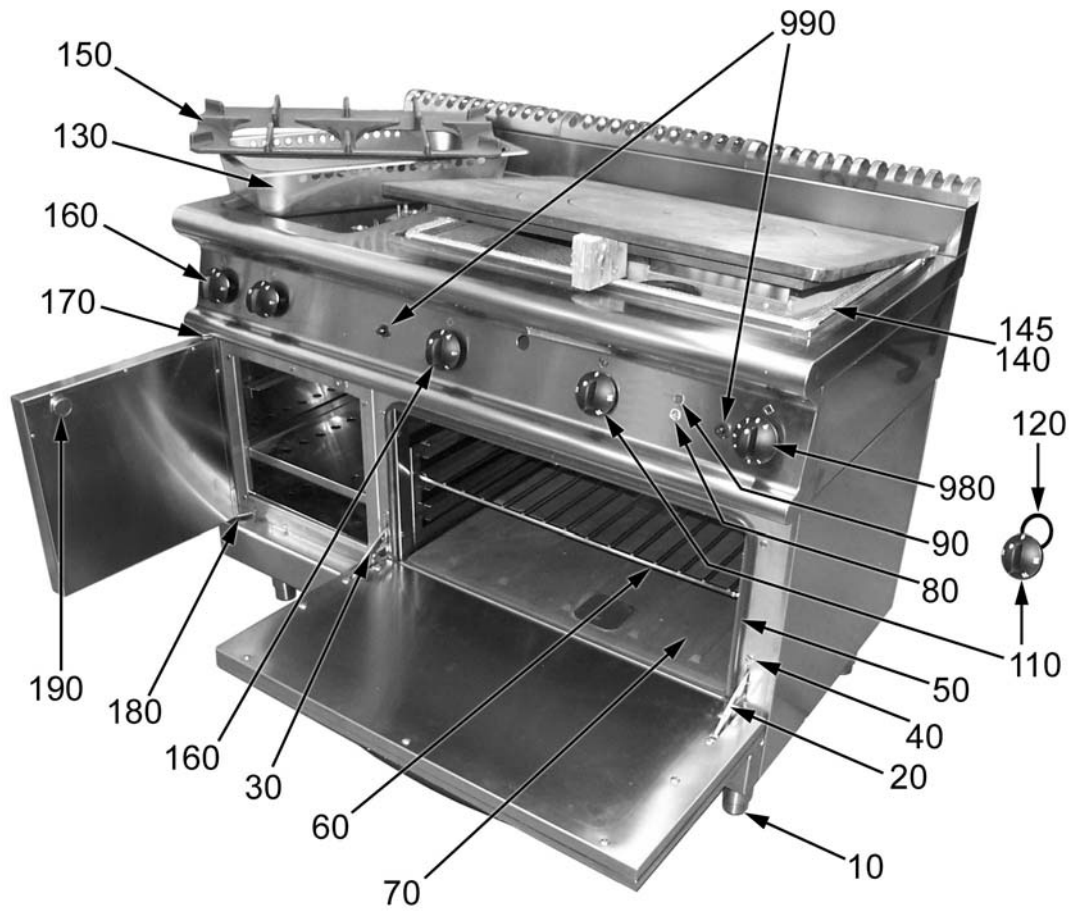
ID	Tipo	Voltaggio	Descrizione	Codici
<b>Module: Parti esterne 1</b>				
10			Piedino	2519500
20	74STG,74STG+2,2FX+PCF,76STG,76STG+4,4FX+PCF,76STGE,74STE		Cerniera dx	6A035910
30	74STG,74STG+2,2FX+PCF,76STG,76STG+4,4FX+PCF,76STGE,74STE		Cerniera sx	6A035920
40	74STG,74STG+2,2FX+PCF,76STG,76STG+4,4FX+PCF,76STGE,74STE		Portarullini per cerniera	6A035930
50	74STG,74STG+2,2FX+PCF,76STG,76STG+4,4FX+PCF,76STGE,74STE		Guarnizione	2510674
60	74STG,74STG+2,2FX+PCF,76STG,76STG+4,4FX+PCF,76STGE,74STE		Griglia cromata	2519480
70	74STG,74STG+2,2FX+PCF,76STG,76STG+4,4FX+PCF,76STGE		Suola forno gas	6A001000
70	74STE		Suola forno	2550350
80	74STE		Gemma bianca	6A039207
90	74STE		Gemma verde	6A038507
110	76STGE		Manopola nera per armadio caldo	2599210
120	74STE		Guarnizione manopola	2519490
980	74STG,74STG+2,76STG,76STG+4,76STGE		Manopola nera per forno	2599202
980	2FX+PCF		Manopola grigia per forno	2599252

74ST=74/02CTG, 74STT=74/02TCTG, 74STG=74/02CTGG, 74STG+2=74/02+2CTGG, 2FX+PCF=2FX+PCF,  
 74STE=74/02CTGE, 76ST=76/02CTG, 76STG=76/02CTGG, 76STG+4=76/02+4CTGG, 4FX+PCF=4FX+PCF,  
 76STTG=76/02TCTGG, 76STGE=76/02CTGGE

A=3/N/PE~400/230V 50Hz, H=3/PE~230V 50Hz, P=1/N/PE~220-240V 50Hz



Parti di ricambio

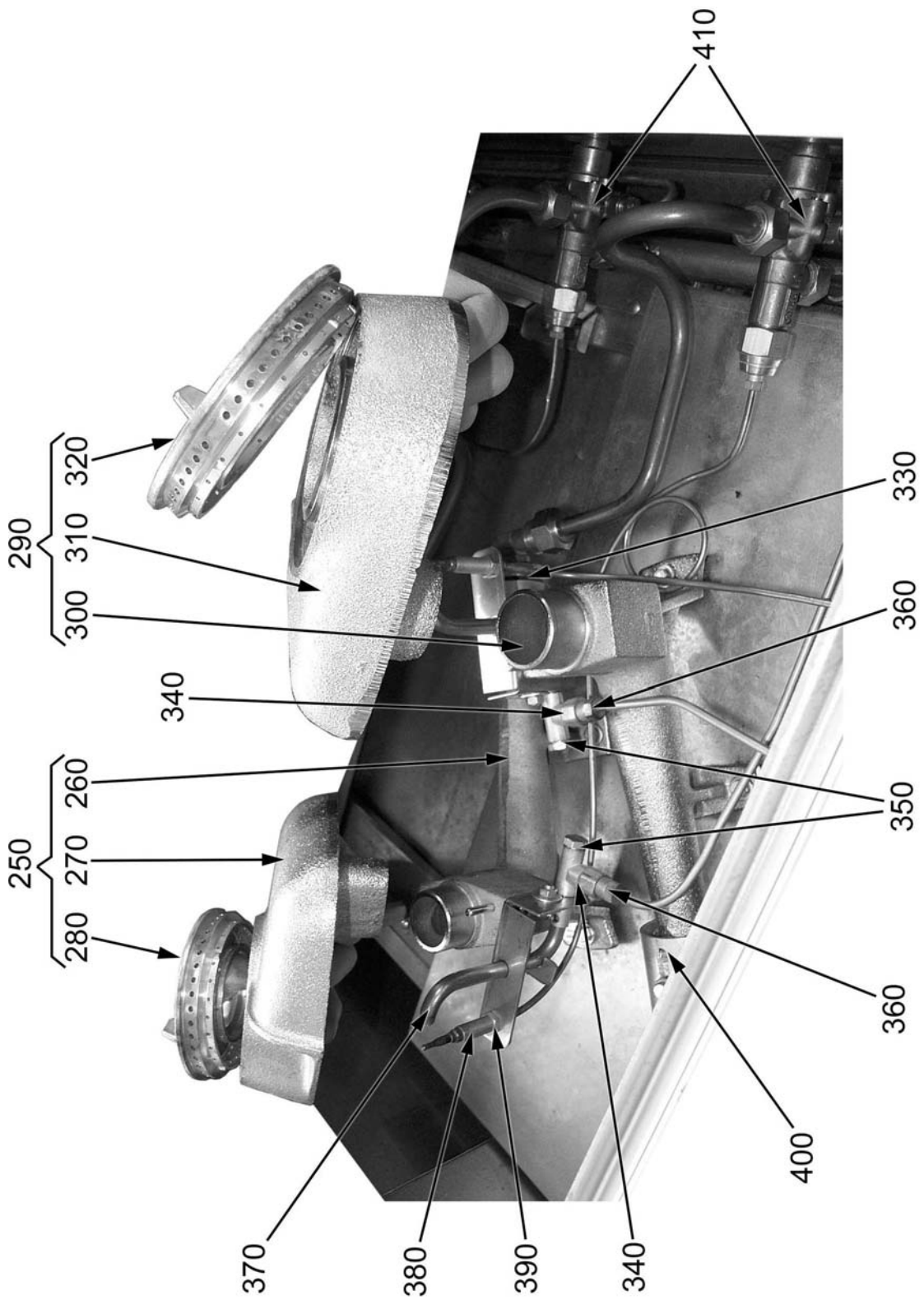


## Parti di ricambio

ID	Tipo	Voltaggio	Descrizione	Codici
<b>Module: Parti esterne 2</b>				
140	74STG+2,2FX+PCF,76STG+4,4FX+PCF		Corda in fibra di vetro	6A098410
145			Cordone isolamento	6A098400
990	74STG,74STG+2,76STG,76STG+4,76STGE		Accensione piezoelettrica	6A041105
990	2FX+PCF		Pulsante	2510607
150	74STG+2,76ST,76STG,76STG+4,76STGE		Griglia vetrificata nera	6A003400
130	74STG+2,76ST,76STG,76STG+4,76STGE,2FX+PCF,4FX+PCF		Bacinella	2541050
160	74STG+2,76ST,76STG,76STG+4,76STGE,74ST,74STT,74STG,74STE,76STTG		Manopola nera cucina gas e tuttapi- astra	2599200
160	2FX+PCF		Manopola grigia per cucine gas tut- tapiastra	2599250
170	76STGE		Cerniera superiore porta	2541000
180	76STGE		Cerniera inferiore porta	2541010
190	76STGE		Magnete	6A044490
	74STE		Manopola forno elettrico nera	2599208
	74STE		Manopola commutatore forno elet- trico nera	2599207

74ST=74/02CTG, 74STT=74/02TCTG, 74STG=74/02CTGG, 74STG+2=74/02+2CTGG, 2FX+PCF=2FX+PCF,  
74STE=74/02CTGE, 76ST=76/02CTG, 76STG=76/02CTGG, 76STG+4=76/02+4CTGG, 4FX+PCF=4FX+PCF,  
76STTG=76/02TCTGG, 76STGE=76/02CTGGE

A=3/N/PE~400/230V 50Hz, H=3/PE~230V 50Hz, P=1/N/PE~220-240V 50Hz



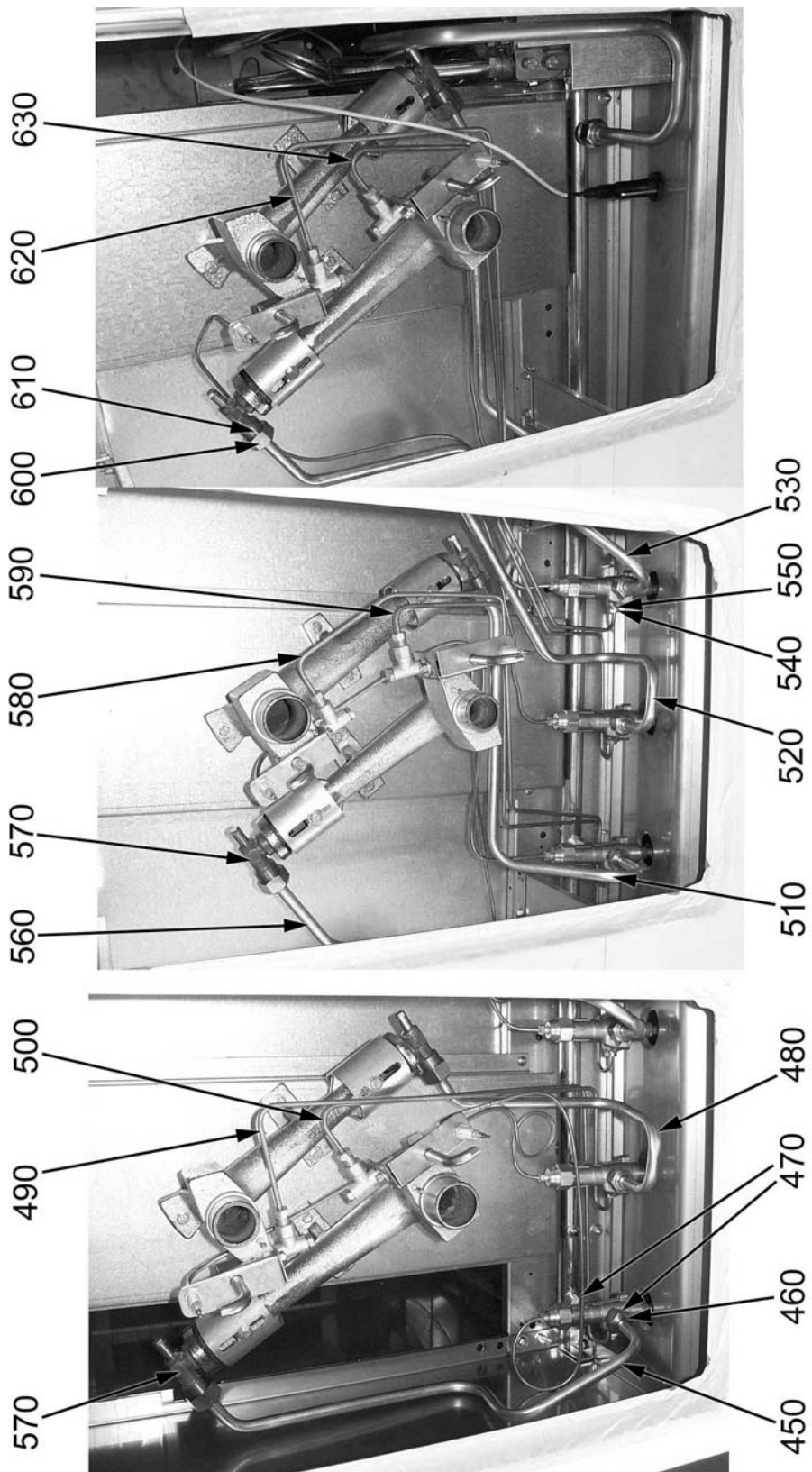
## Parti di ricambio

ID	Tipo	Voltaggio	Descrizione	Codici
<b>Module: Bruciatori fuochi aperti 1</b>				
250	74STG+2,4FX+PCF,76ST,76STG,76STTG,76STGE		Bruciatore piccolo completo	2599021
260	74STG+2,4FX+PCF,76ST,76STG,76STTG,76STGE		Bruciatore (tubo venturi)	2510350
270	74STG+2,4FX+PCF,76ST,76STG,76STTG,76STGE		Bruciatore (bicchiere "C")	2510351
280	74STG+2,4FX+PCF,76ST,76STG,76STTG,76STGE		Bruciatore (spartifiamma "C")	2510352
290	74STG+2,4FX+PCF,76ST,76STG,76STTG,76STGE		Bruciatore medio completo	2599022
300	74STG+2,4FX+PCF,76ST,76STG,76STTG,76STGE		Bruciatore (tubo venturi)	2510353
310	74STG+2,4FX+PCF,76ST,76STG,76STTG,76STGE		Bruciatore (bicchiere "D")	2510354
320	74STG+2,4FX+PCF,76ST,76STG,76STTG,76STGE		Bruciatore (spartifiamma "D")	2510355
330	74STG+2,4FX+PCF,76ST,76STG,76STTG,76STGE		Kit ugelli IT fuochi aperti	2591601
330	74STG+2,4FX+PCF,76ST,76STG,76STTG,76STGE		Ugello L 90	
330	74STG+2,4FX+PCF,76ST,76STG,76STTG,76STGE		Ugello L 140	
330	74STG+2,4FX+PCF,76ST,76STG,76STTG,76STGE		Ugello L 115	
330	74STG+2,4FX+PCF,76ST,76STG,76STTG,76STGE		Ugello L 170R	
330	74STG+2,4FX+PCF,76ST,76STG,76STTG,76STGE		By pass	
330	74STG+2,4FX+PCF,76ST,76STG,76STTG,76STGE		By pass	
330	74STG+2,4FX+PCF,76ST,76STG,76STTG,76STGE		Kit ugelli DE fuochi aperti	2591602
330	74STG+2,4FX+PCF,76ST,76STG,76STTG,76STGE		Ugello L 80	
330	74STG+2,4FX+PCF,76ST,76STG,76STTG,76STGE		Ugello L 140	
330	74STG+2,4FX+PCF,76ST,76STG,76STTG,76STGE		Ugello L 150	
330	74STG+2,4FX+PCF,76ST,76STG,76STTG,76STGE		Ugello L 105	
330	74STG+2,4FX+PCF,76ST,76STG,76STTG,76STGE		Ugello L 170R	
330	74STG+2,4FX+PCF,76ST,76STG,76STTG,76STGE		Ugello L 185R	
330	74STG+2,4FX+PCF,76ST,76STG,76STTG,76STGE		By pass	
330	74STG+2,4FX+PCF,76ST,76STG,76STTG,76STGE		By pass	
330	74STG+2,4FX+PCF,76ST,76STG,76STTG,76STGE		Kit ugelli H fuochi aperti	2591599
330	74STG+2,4FX+PCF,76ST,76STG,76STTG,76STGE		Ugello L 90	
330	74STG+2,4FX+PCF,76ST,76STG,76STTG,76STGE		Ugello L 115	
330	74STG+2,4FX+PCF,76ST,76STG,76STTG,76STGE		Ugello L 150	
330	74STG+2,4FX+PCF,76ST,76STG,76STTG,76STGE		Ugello L 130	
330	74STG+2,4FX+PCF,76ST,76STG,76STTG,76STGE		Ugello L 160R	
330	74STG+2,4FX+PCF,76ST,76STG,76STTG,76STGE		Ugello L 180R	
330	74STG+2,4FX+PCF,76ST,76STG,76STTG,76STGE		By pass	
330	74STG+2,4FX+PCF,76ST,76STG,76STTG,76STGE		By pass	
330	74STG+2,4FX+PCF,76ST,76STG,76STTG,76STGE		Kit ugelli Gas Citta fuochi aperti	2591855
330	74STG+2,4FX+PCF,76ST,76STG,76STTG,76STGE		Ugello L 90	
330	74STG+2,4FX+PCF,76ST,76STG,76STTG,76STGE		Ugello L 140	
330	74STG+2,4FX+PCF,76ST,76STG,76STTG,76STGE		Ugello L 115	
330	74STG+2,4FX+PCF,76ST,76STG,76STTG,76STGE		Ugello L 170R	
330	74STG+2,4FX+PCF,76ST,76STG,76STTG,76STGE		By pass	
330	74STG+2,4FX+PCF,76ST,76STG,76STTG,76STGE		By pass	
330	74STG+2,4FX+PCF,76ST,76STG,76STTG,76STGE		Ugello L 265	
330	74STG+2,4FX+PCF,76ST,76STG,76STTG,76STGE		Ugello L 250	
330	74STG+2,4FX+PCF,76ST,76STG,76STTG,76STGE		Pilota	
330	74STG+2,4FX+PCF,76ST,76STG,76STTG,76STGE		Ugello L 340	
330	74STG+2,4FX+PCF,76ST,76STG,76STTG,76STGE		Ugello L 320	
340	74STG+2,4FX+PCF,76ST,76STG,76STTG,76STGE		Pilota	2510359
350	74STG+2,4FX+PCF,76ST,76STG,76STTG,76STGE		Ugello 20	6A013101
350	74STG+2,4FX+PCF,76ST,76STG,76STTG,76STGE		Ugello 35	6A013103
350	74STG+2,4FX+PCF,76ST,76STG,76STTG,76STGE		Ugello 70	6A013110

74ST=74/02CTG, 74STT=74/02TCTG, 74STG=74/02CTGG, 74STG+2=74/02+2CTGG, 2FX+PCF=2FX+PCF,  
 74STE=74/02CTGE, 76ST=76/02CTG, 76STG=76/02CTGG, 76STG+4=76/02+4CTGG, 4FX+PCF=4FX+PCF,  
 76STTG=76/02TCTGG, 76STGE=76/02CTGGE

A=3/N/PE~400/230V 50Hz, H=3/PE~230V 50Hz, P=1/N/PE~220-240V 50Hz





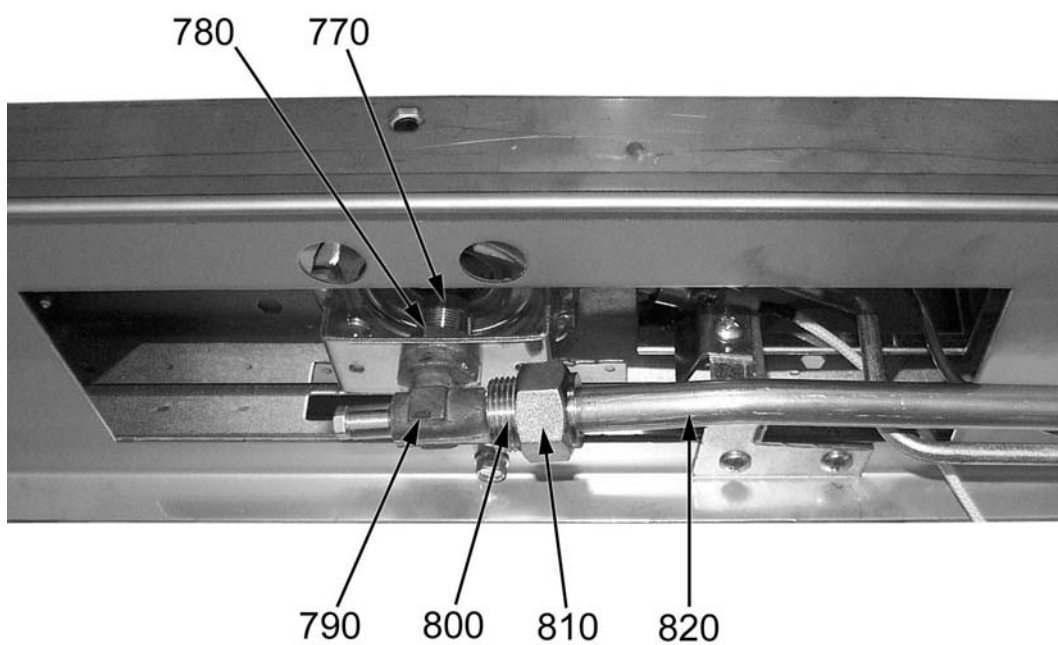
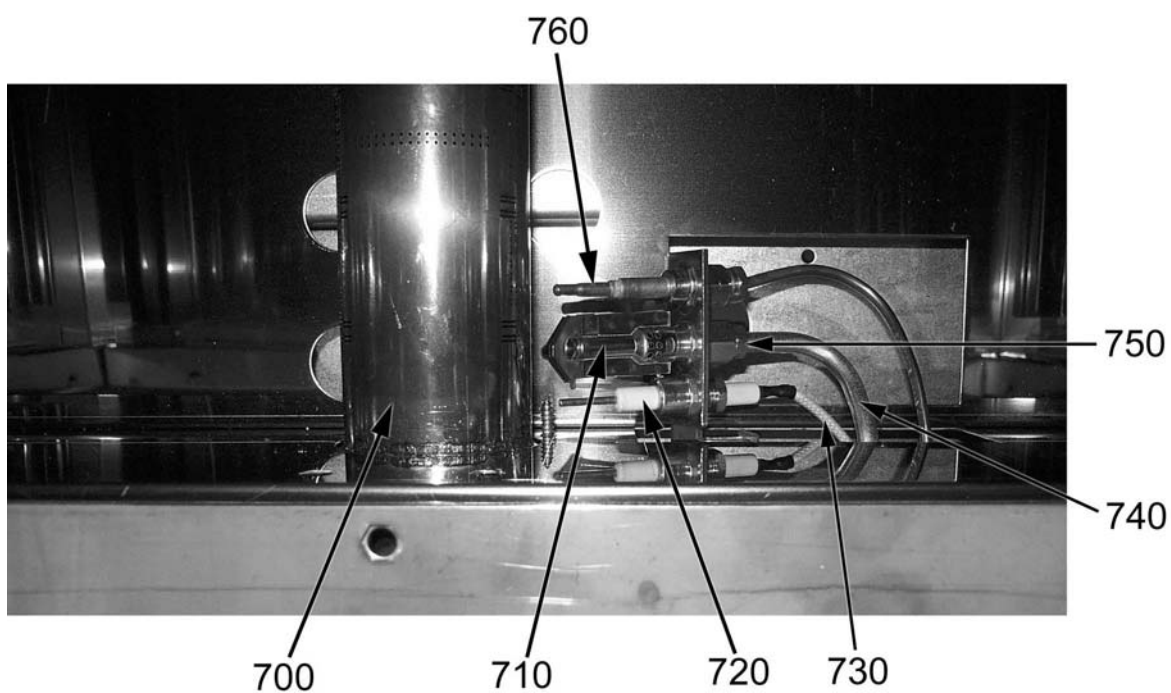


## Parti di ricambio

ID	Tipo	Voltaggio	Descrizione	Codici
<b>Module: Bruciatori fuochi aperti 2</b>				
450	76STG+4,76ST,76STG,76STGE,4FX+PCF		Conduttura	2514500
460			Bicono	6A011480
470			Dado	6A011485
480	76ST,76STG,76STGE,74STT		Conduttura	2514503
490	76ST,76STG,76STGE,74STT		Conduttura	2514518
500	76STG+4,76ST,76STG,76STGE,4FX+PCF		Conduttura	2514515
510	74STG+2,2FX+PCF		Conduttura	2514510
520	76STG+4,4FX+PCF		Conduttura	2514502
540			Bicono	6A016120
550			Dado	6A016110
570			Raccordo	6A014708
580	74STG+2,2FX+PCF		Conduttura	2514525
600			Dado	6A011475
610			Bicono	6A011470
630	76STG+4,4FX+PCF		Conduttura	2514517

74ST=74/02CTG, 74STT=74/02TCTG, 74STG=74/02CTGG, 74STG+2=74/02+2CTGG, 2FX+PCF=2FX+PCF,  
 74STE=74/02CTGE, 76ST=76/02CTG, 76STG=76/02CTGG, 76STG+4=76/02+4CTGG, 4FX+PCF=4FX+PCF,  
 76STTG=76/02TCTGG, 76STGE=76/02CTGGE

A=3/N/PE~400/230V 50Hz, H=3/PE~230V 50Hz, P=1/N/PE~220-240V 50Hz



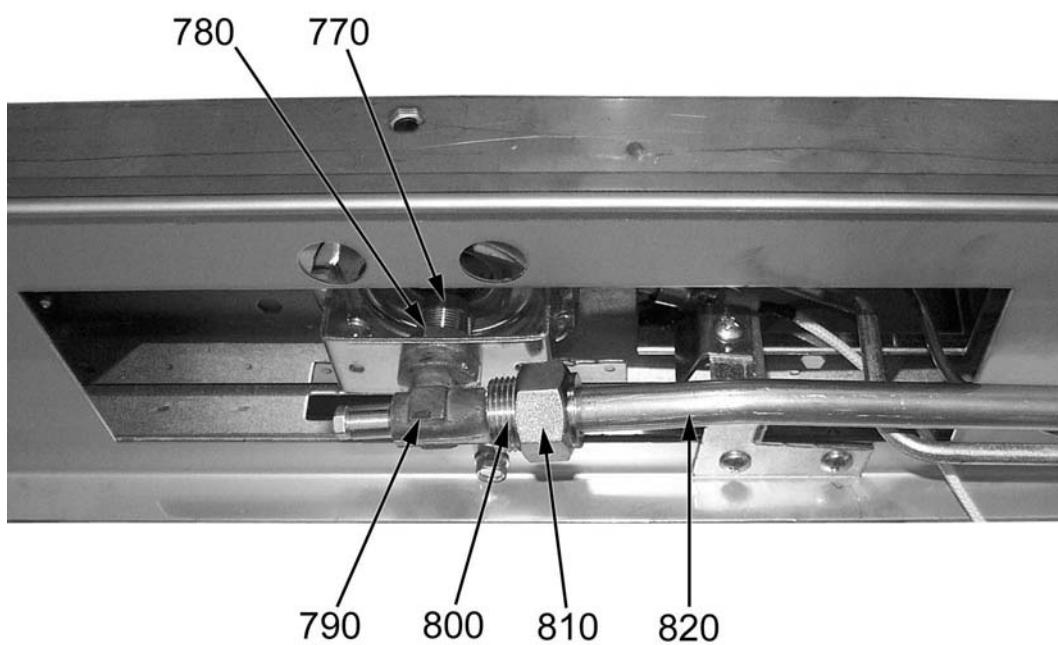
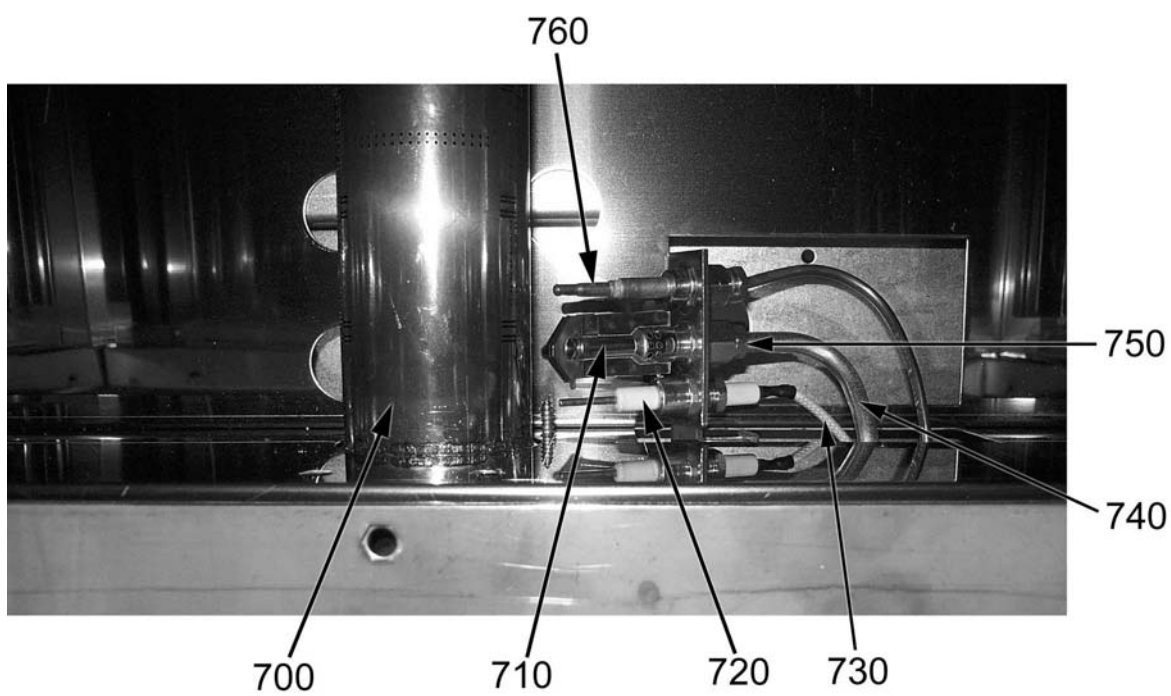
## Parti di ricambio

ID	Tipo	Voltaggio	Descrizione	Codici
<b>Module: Bruciatore del forno 1</b>				
700	74STG,74STG+2,2FX+PCF,76STG,76STG+4,4FX+PCF,76STGE		Bruciatore del forno	2519400
710	74STG,74STG+2,2FX+PCF,76STG,76STG+4,4FX+PCF,76STGE		Pilota	6A013220
720	74STG,74STG+2,2FX+PCF,76STG,76STG+4,4FX+PCF,76STGE		Candela di accensione	6A013302
730	74STG,74STG+2,2FX+PCF,76STG,76STG+4,4FX+PCF,76STGE		Cavo	6A041410
740	74STG,74STG+2,2FX+PCF,76STG,76STG+4,4FX+PCF,76STGE		Conduttura	2514532
750	74STG,74STG+2,2FX+PCF,76STG,76STG+4,4FX+PCF,76STGE		Ugello 27·2	6A013230
750	74STG,74STG+2,2FX+PCF,76STG,76STG+4,4FX+PCF,76STGE		Ugello 16·2	6A013240
750	74STG,74STG+2,2FX+PCF,76STG,76STG+4,4FX+PCF,76STGE		Ugello 38·1	2510332
750	74STG,74STG+2,2FX+PCF,76STG,76STG+4,4FX+PCF,76STGE		Ugello 45·2	2510716
760	74STG,74STG+2,2FX+PCF,76STG,76STG+4,4FX+PCF,76STGE		Termocoppia	6A011800
780	74STG,74STG+2,2FX+PCF,76STG,76STG+4,4FX+PCF,76STGE		Controdado	6A010820
790	74STG,74STG+2,2FX+PCF,76STG,76STG+4,4FX+PCF,76STGE		Raccordo	6A014708
800	74STG,74STG+2,2FX+PCF,76STG,76STG+4,4FX+PCF,76STGE		Bicono	6A016300
810	74STG,74STG+2,2FX+PCF,76STG,76STG+4,4FX+PCF,76STGE		Dado di fissaggio del bicono	6A016200
820	74STG,74STG+2,2FX+PCF,76STG,76STG+4,4FX+PCF,76STGE		Conduttura	2514531

74ST=74/02CTG, 74STT=74/02TCTG, 74STG=74/02CTGG, 74STG+2=74/02+2CTGG, 2FX+PCF=2FX+PCF,  
 74STE=74/02CTGE, 76ST=76/02CTG, 76STG=76/02CTGG, 76STG+4=76/02+4CTGG, 4FX+PCF=4FX+PCF,  
 76STTG=76/02TCTGG, 76STGE=76/02CTGGE

A=3/N/PE~400/230V 50Hz, H=3/PE~230V 50Hz, P=1/N/PE~220-240V 50Hz





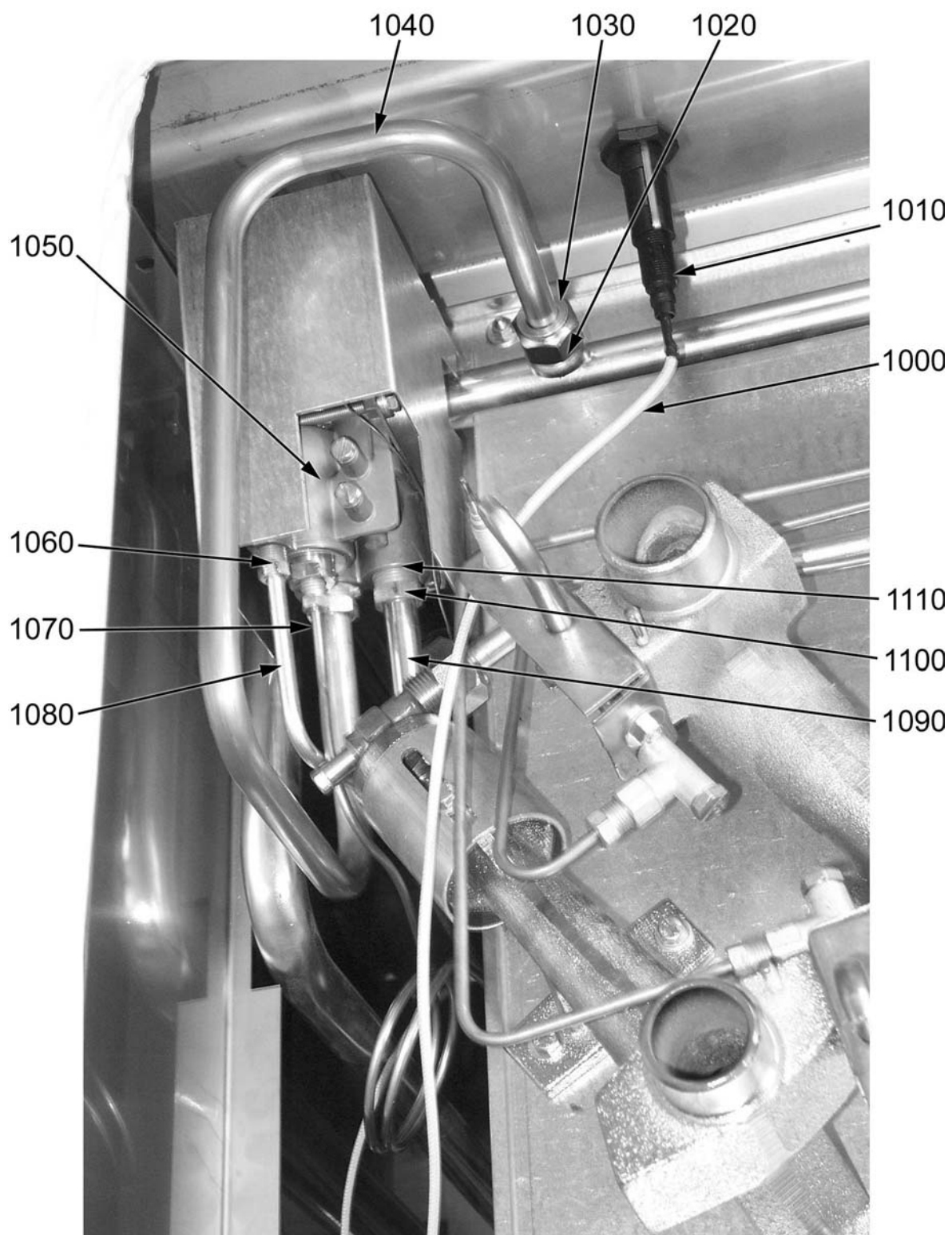
## Parti di ricambio

ID	Tipo	Voltaggio	Descrizione	Codici
<b>Module: Bruciatore del forno 2</b>				
770	74STG,74STG+2,2FX+PCF,76STG,76STG+4,4FX+PCF,76STGE		Kit ugelli IT forno	2591605
770	74STG,74STG+2,2FX+PCF,76STG,76STG+4,4FX+PCF,76STGE		Ugello L 145	
770	74STG,74STG+2,2FX+PCF,76STG,76STG+4,4FX+PCF,76STGE		Ugello L 210	
770	74STG,74STG+2,2FX+PCF,76STG,76STG+4,4FX+PCF,76STGE		Ugello L 220	
770	74STG,74STG+2,2FX+PCF,76STG,76STG+4,4FX+PCF,76STGE		Regolatore d'aria	
770	74STG,74STG+2,2FX+PCF,76STG,76STG+4,4FX+PCF,76STGE		Kit ugelli DE forno	2591606
770	74STG,74STG+2,2FX+PCF,76STG,76STG+4,4FX+PCF,76STGE		Ugello L 125	
770	74STG,74STG+2,2FX+PCF,76STG,76STG+4,4FX+PCF,76STGE		Ugello L 210	
770	74STG,74STG+2,2FX+PCF,76STG,76STG+4,4FX+PCF,76STGE		Ugello L 220	
770	74STG,74STG+2,2FX+PCF,76STG,76STG+4,4FX+PCF,76STGE		Ugello L 240	
770	74STG,74STG+2,2FX+PCF,76STG,76STG+4,4FX+PCF,76STGE		Regolatore d'aria	
770	74STG,74STG+2,2FX+PCF,76STG,76STG+4,4FX+PCF,76STGE		Kit ugelli H forno	2591595
770	74STG,74STG+2,2FX+PCF,76STG,76STG+4,4FX+PCF,76STGE		Ugello L 145	
770	74STG,74STG+2,2FX+PCF,76STG,76STG+4,4FX+PCF,76STGE		Ugello L 200	
770	74STG,74STG+2,2FX+PCF,76STG,76STG+4,4FX+PCF,76STGE		Ugello L 230	
770	74STG,74STG+2,2FX+PCF,76STG,76STG+4,4FX+PCF,76STGE		Ugello L 38	
770	74STG,74STG+2,2FX+PCF,76STG,76STG+4,4FX+PCF,76STGE		Regolatore d'aria	
770	74STG,74STG+2,2FX+PCF,76STG,76STG+4,4FX+PCF,76STGE		Kit ugelli Gas Citta forno	2591856
770	74STG,74STG+2,2FX+PCF,76STG,76STG+4,4FX+PCF,76STGE		Ugello L 145	
770	74STG,74STG+2,2FX+PCF,76STG,76STG+4,4FX+PCF,76STGE		Ugello L 210	
770	74STG,74STG+2,2FX+PCF,76STG,76STG+4,4FX+PCF,76STGE		Ugello L 220	
770	74STG,74STG+2,2FX+PCF,76STG,76STG+4,4FX+PCF,76STGE		Regolatore d'aria	
770	74STG,74STG+2,2FX+PCF,76STG,76STG+4,4FX+PCF,76STGE		Ugello L 600	
770	74STG,74STG+2,2FX+PCF,76STG,76STG+4,4FX+PCF,76STGE		Ugello 45-2	

74ST=74/02CTG, 74STT=74/02TCTG, 74STG=74/02CTGG, 74STG+2=74/02+2CTGG, 2FX+PCF=2FX+PCF,  
 74STE=74/02CTGE, 76ST=76/02CTG, 76STG=76/02CTGG, 76STG+4=76/02+4CTGG, 4FX+PCF=4FX+PCF,  
 76STTG=76/02TCTGG, 76STGE=76/02CTGGE

A=3/N/PE~400/230V 50Hz, H=3/PE~230V 50Hz, P=1/N/PE~220-240V 50Hz





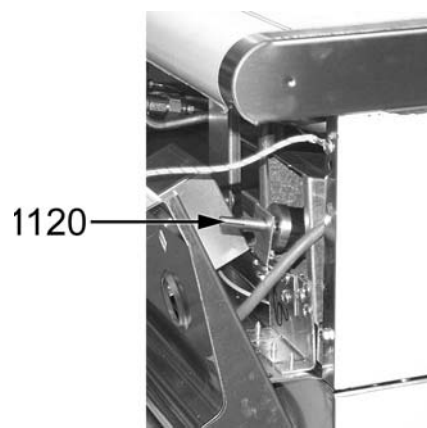
## Parti di ricambio

ID	Tipo	Voltaggio	Descrizione	Codici
<b>Module: Valvola forno a gas</b>				
1000	74STG,74STG+2,2FX+PCF,76STG,76STG+4,4FX+PCF,76STGE		Cavo	6A041410
1010	74STG,74STG+2,2FX+PCF,76STG,76STG+4,4FX+PCF,76STGE		Accensione piezoelettrica	6A041105
1020	74STG,74STG+2,2FX+PCF,76STG,76STG+4,4FX+PCF,76STGE		Bicono	6A016300
1030	74STG,74STG+2,2FX+PCF,76STG,76STG+4,4FX+PCF,76STGE		Dado di fissaggio del bicono	6A016200
1040	74STG,74STG+2,2FX+PCF,76STG,76STG+4,4FX+PCF,76STGE		Conduttura	2514530
1050	74STG,74STG+2,2FX+PCF,76STG,76STG+4,4FX+PCF,76STGE		Valvola	8219950
1060	74STG,74STG+2,2FX+PCF,76STG,76STG+4,4FX+PCF,76STGE		Raccordo bicono	6A011607
1070	74STG,74STG+2,2FX+PCF,76STG,76STG+4,4FX+PCF,76STGE		Termocoppia	6A011800
1080	74STG,74STG+2,2FX+PCF,76STG,76STG+4,4FX+PCF,76STGE		Conduttura	2514532
1090	74STG,74STG+2,2FX+PCF,76STG,76STG+4,4FX+PCF,76STGE		Conduttura	2514531
1100	74STG,74STG+2,2FX+PCF,76STG,76STG+4,4FX+PCF,76STGE		Raccordo	6A011620
1110	74STG,74STG+2,2FX+PCF,76STG,76STG+4,4FX+PCF,76STGE		Bicono	6A011625

74ST=74/02CTG, 74STT=74/02TCTG, 74STG=74/02CTGG, 74STG+2=74/02+2CTGG, 2FX+PCF=2FX+PCF,  
 74STE=74/02CTGE, 76ST=76/02CTG, 76STG=76/02CTGG, 76STG+4=76/02+4CTGG, 4FX+PCF=4FX+PCF,  
 76STTG=76/02TCTGG, 76STGE=76/02CTGGE

A=3/N/PE~400/230V 50Hz, H=3/PE~230V 50Hz, P=1/N/PE~220-240V 50Hz





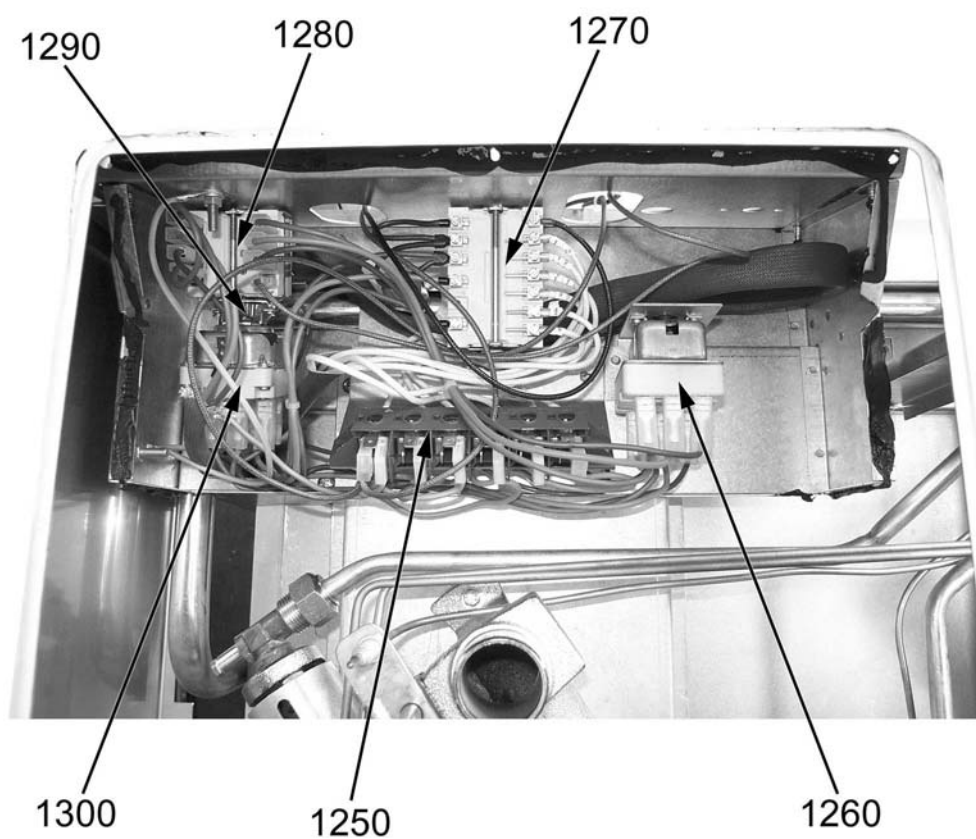


**Parti di ricambio**

ID	Tipo	Voltaggio	Descrizione	Codici
<b>Module: Prolunga manopola valvola</b>				
1120	74STG,74STG+2,2FX+PCF,76STG,76STG+4, 4FX+PCF,76STGE		Prolunga manopola valvola	2519520

74ST=74/02CTG, 74STT=74/02TCTG, 74STG=74/02CTGG, 74STG+2=74/02+2CTGG, 2FX+PCF=2FX+PCF,  
 74STE=74/02CTGE, 76ST=76/02CTG, 76STG=76/02CTGG, 76STG+4=76/02+4CTGG, 4FX+PCF=4FX+PCF,  
 76STTG=76/02TCTGG, 76STGE=76/02CTGGE

A=3/N/PE~400/230V 50Hz, H=3/PE~230V 50Hz, P=1/N/PE~220-240V 50Hz

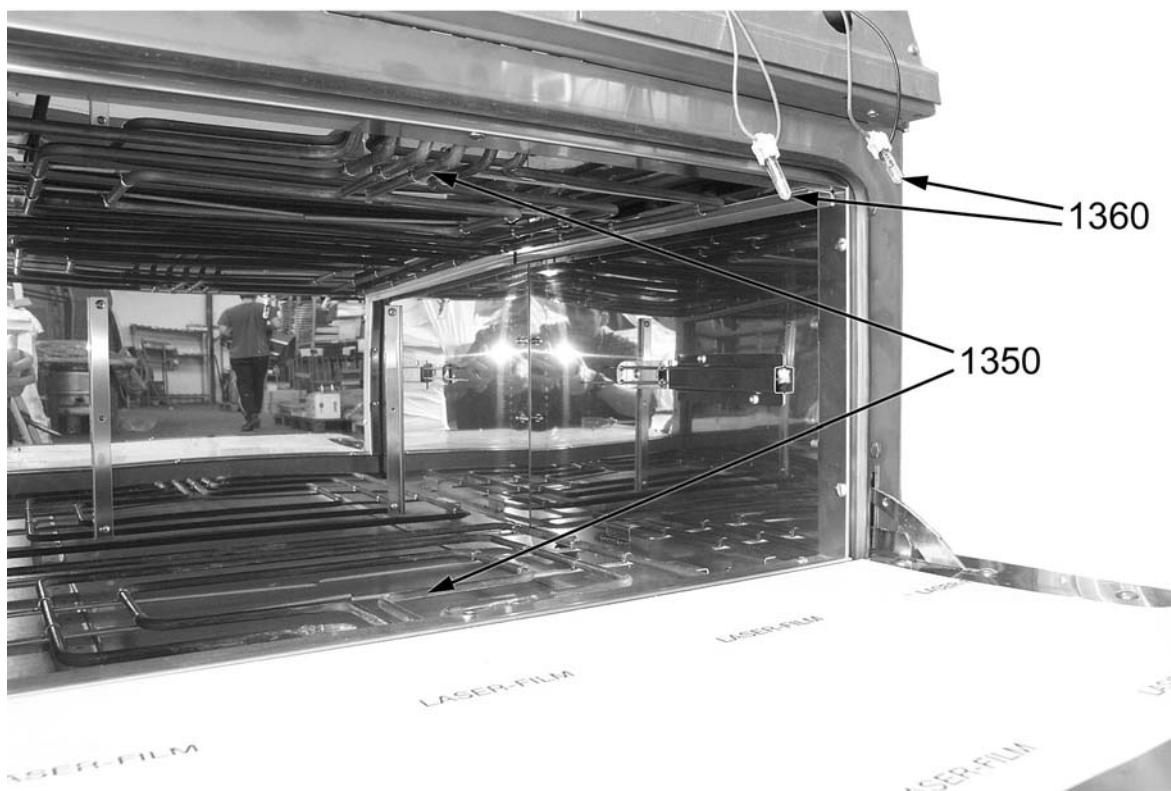


## Parti di ricambio

ID	Tipo	Voltaggio	Descrizione	Codici
<b>Module: Forno elettrico</b>				
1250	74STE		Morsettiera	6A036206
1260	74STE		Termostato sicurezza	6A046150
1270	74STE		Commutatore	6A046750
1280	74STE		Commutatore	6A046001
1290	74STE		Staffa di giunzione	6A045000
1300	74STE		Termostato	6A044601

74ST=74/02CTG, 74STT=74/02TCTG, 74STG=74/02CTGG, 74STG+2=74/02+2CTGG, 2FX+PCF=2FX+PCF,  
 74STE=74/02CTGE, 76ST=76/02CTG, 76STG=76/02CTGG, 76STG+4=76/02+4CTGG, 4FX+PCF=4FX+PCF,  
 76STTG=76/02TCTGG, 76STGE=76/02CTGGE

A=3/N/PE~400/230V 50Hz, H=3/PE~230V 50Hz, P=1/N/PE~220-240V 50Hz



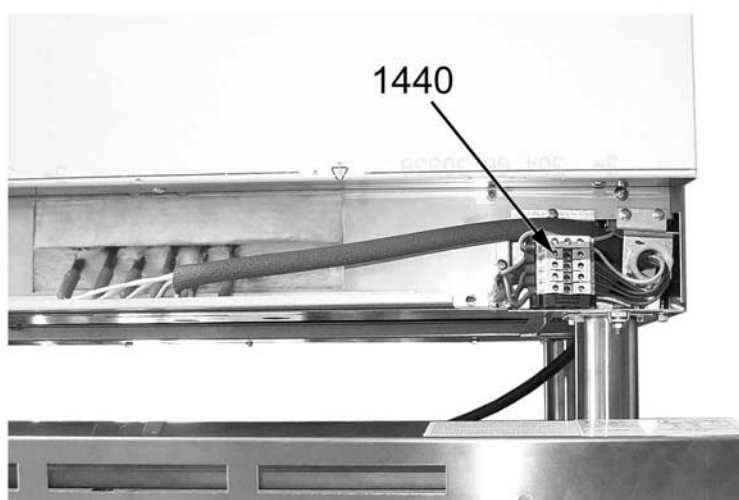
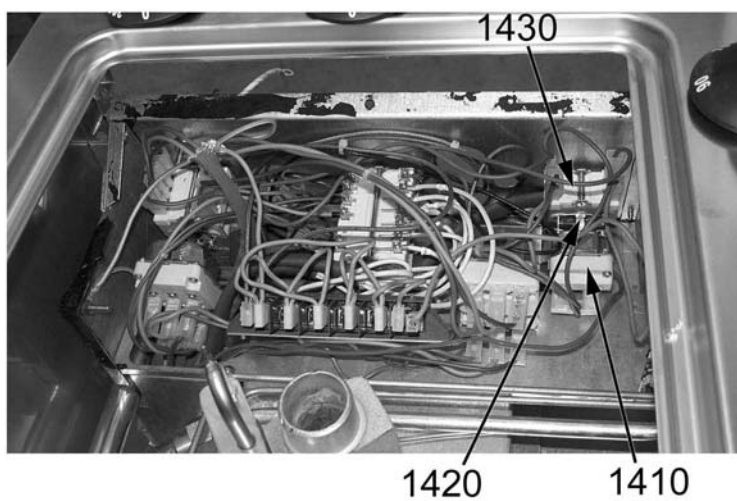
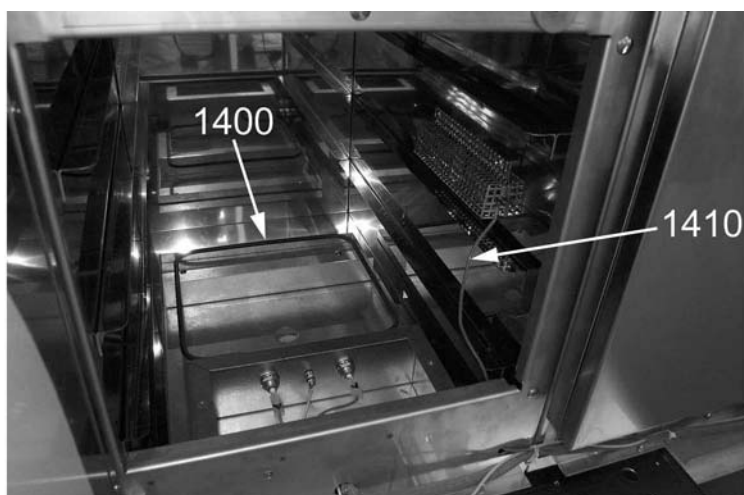
## Parti di ricambio

---

ID	Tipo	Voltaggio	Descrizione	Codici
<b>Module: Resistenze forno elettrico</b>				
1350	74STE		Resistenza	6A037550
1360	74STE		Segnalatori luminosi	6A038506

74ST=74/02CTG, 74STT=74/02TCTG, 74STG=74/02CTGG, 74STG+2=74/02+2CTGG, 2FX+PCF=2FX+PCF,  
 74STE=74/02CTGE, 76ST=76/02CTG, 76STG=76/02CTGG, 76STG+4=76/02+4CTGG, 4FX+PCF=4FX+PCF,  
 76STTG=76/02TCTGG, 76STGE=76/02CTGGE

A=3/N/PE~400/230V 50Hz, H=3/PE~230V 50Hz, P=1/N/PE~220-240V 50Hz

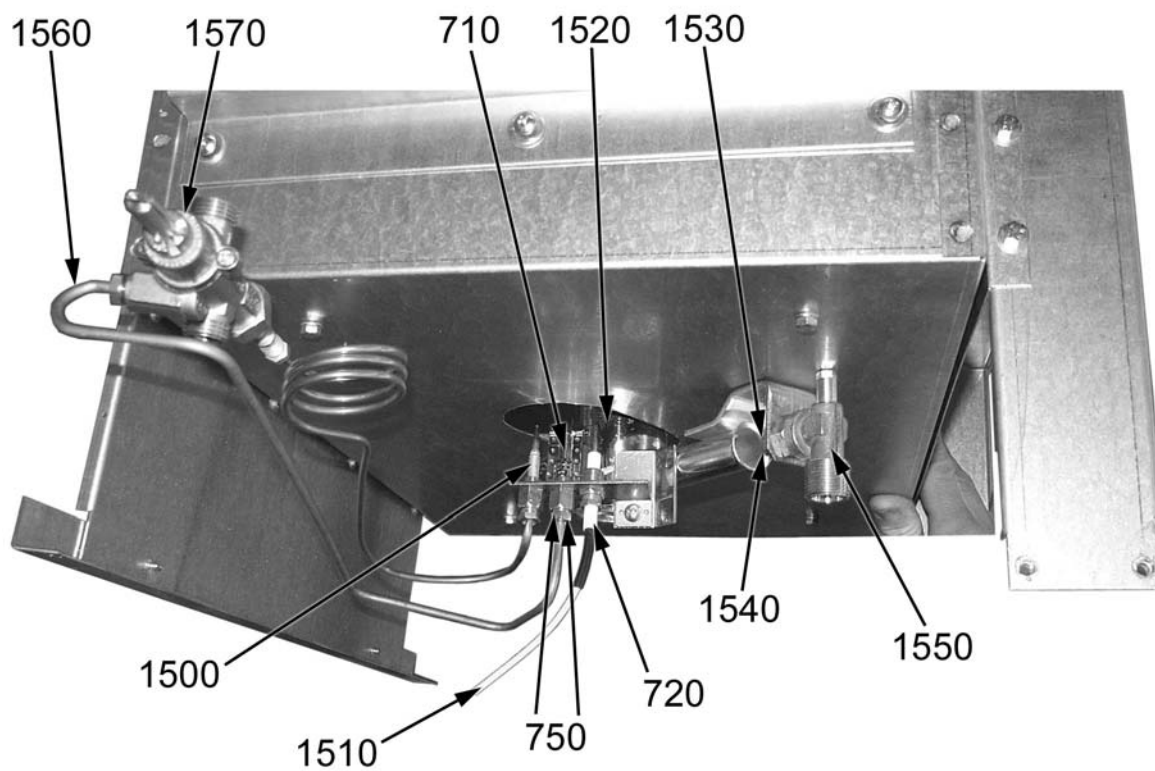


**Parti di ricambio**

ID	Tipo	Voltaggio	Descrizione	Codici
<b>Module: Armadio riscaldato</b>				
1400	76STGE		Resistenza	6A036800
1410	76STGE		Termostato	6A046050
1420	76STGE		Staffa di giunzione	6A045900
1430	76STGE		Commutatore	6A046000
1440	76STGE		Morsettiera	6A036203
1450	76STGE		Segnalatori luminosi	6A038506

74ST=74/02CTG, 74STT=74/02TCTG, 74STG=74/02CTGG, 74STG+2=74/02+2CTGG, 2FX+PCF=2FX+PCF,  
 74STE=74/02CTGE, 76ST=76/02CTG, 76STG=76/02CTGG, 76STG+4=76/02+4CTGG, 4FX+PCF=4FX+PCF,  
 76STTG=76/02TCTGG, 76STGE=76/02CTGGE

A=3/N/PE~400/230V 50Hz, H=3/PE~230V 50Hz, P=1/N/PE~220-240V 50Hz





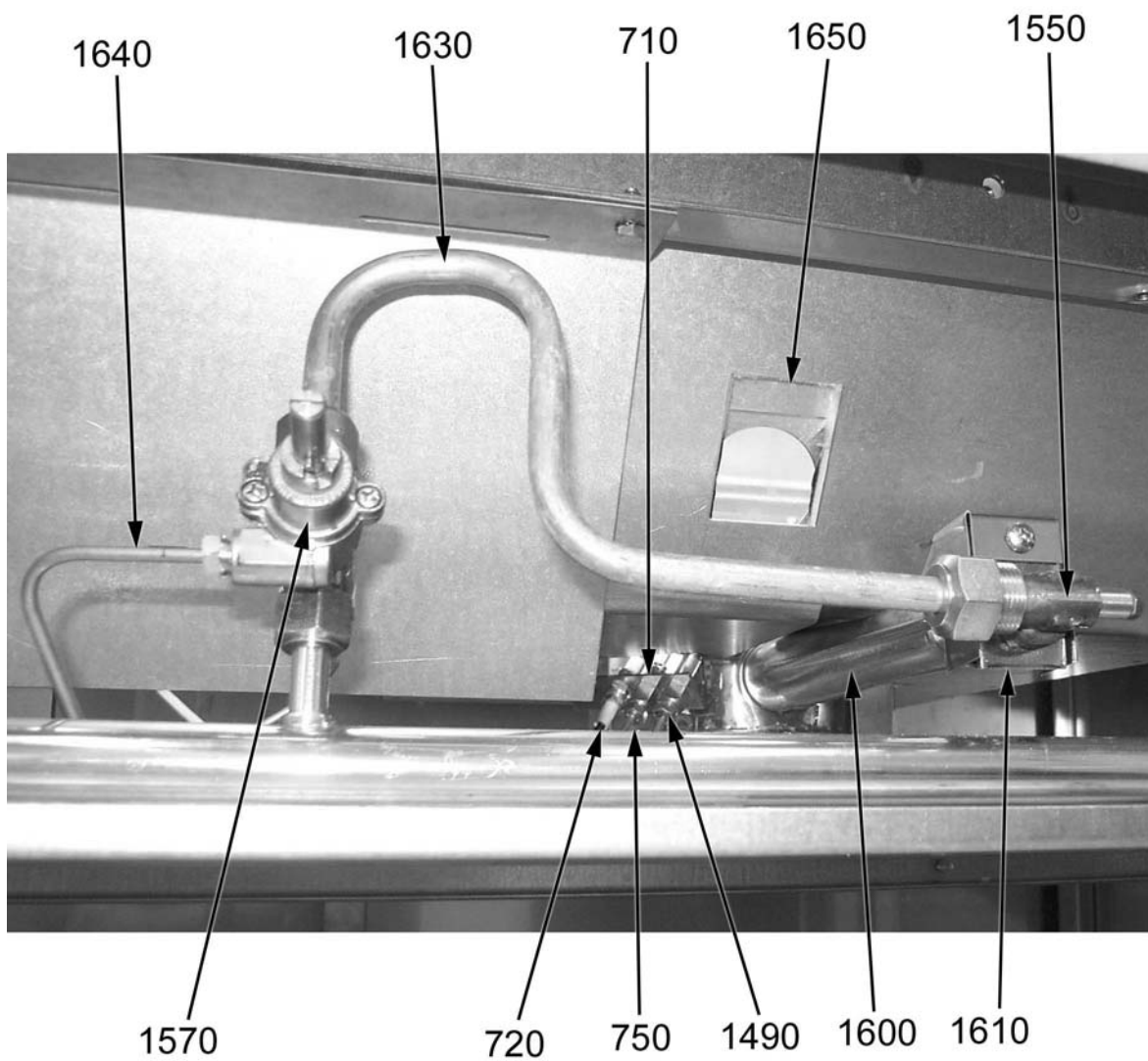
## Parti di ricambio

ID	Tipo	Voltaggio	Descrizione	Codici
<b>Module: Bruciatore del minituttapietra</b>				
710	74STG+2,2FX+PCF,76STG+4,4FX+PCF		Pilota	6A013220
720	74STG+2,2FX+PCF,76STG+4,4FX+PCF		Candela di accensione	6A013302
750	74STG+2,2FX+PCF,76STG+4,4FX+PCF		Ugello 27-2	6A013230
750	74STG+2,2FX+PCF,76STG+4,4FX+PCF		Ugello 16-2	6A013240
750	74STG+2,2FX+PCF,76STG+4,4FX+PCF		Ugello 38-1	2510332
750	74STG+2,2FX+PCF,76STG+4,4FX+PCF		Ugello 45-2	2510716
1500	74STG+2,2FX+PCF,76STG+4,4FX+PCF		Termocoppia	6A011904
1510	74STG+2,2FX+PCF,76STG+4,4FX+PCF		Cavo	6A041410
1510	2FX+PCF,4FX+PCF		Cavo candela L=1500	2519931
1520	74STG+2,2FX+PCF,76STG+4,4FX+PCF		Bruciatore del minituttapietra	2519420
1530	74STG+2,2FX+PCF,76STG+4,4FX+PCF		Kit ugelli IT minituttapietra	2591607
1530	74STG+2,2FX+PCF,76STG+4,4FX+PCF		Ugello L 115	2510370
1530	74STG+2,2FX+PCF,76STG+4,4FX+PCF		Ugello L 170R	2510367
1540	74STG+2,2FX+PCF,76STG+4,4FX+PCF		Kit ugelli DE minituttapietra	2591608
1540	74STG+2,2FX+PCF,76STG+4,4FX+PCF		Ugello L 105	2510368
1540	74STG+2,2FX+PCF,76STG+4,4FX+PCF		Ugello L 170R	2510367
1540	74STG+2,2FX+PCF,76STG+4,4FX+PCF		Ugello L 185R	2510369
1540	74STG+2,2FX+PCF,76STG+4,4FX+PCF		Kit ugelli Gas Citta minituttapietra	2591619
1540	74STG+2,2FX+PCF,76STG+4,4FX+PCF		Ugello L 115	
1540	74STG+2,2FX+PCF,76STG+4,4FX+PCF		Ugello L 170R	
1540	74STG+2,2FX+PCF,76STG+4,4FX+PCF		By pass	
1540	74STG+2,2FX+PCF,76STG+4,4FX+PCF		Ugello L 340	
1540	74STG+2,2FX+PCF,76STG+4,4FX+PCF		Ugello L 320	
1540	74STG+2,2FX+PCF,76STG+4,4FX+PCF		Ugello 45-2	
1550	74STG+2,2FX+PCF,76STG+4,4FX+PCF		Raccordo	6A014708
1560	74STG+2		Conduttura da 4 mm RUB-PIL. mini-tuttapietra SX	2514558
1560	76STG+4		Conduttura da 4 mm RUB-PIL mini-tuttapietra CENTR.	2514554
1570	74STG+2,2FX+PCF,76STG+4,4FX+PCF		Rubinetto	6A011490

74ST=74/02CTG, 74STT=74/02TCTG, 74STG=74/02CTGG, 74STG+2=74/02+2CTGG, 2FX+PCF=2FX+PCF,  
 74STE=74/02CTGE, 76ST=76/02CTG, 76STG=76/02CTGG, 76STG+4=76/02+4CTGG, 4FX+PCF=4FX+PCF,  
 76STTG=76/02TCTGG, 76STGE=76/02CTGGE

A=3/N/PE~400/230V 50Hz, H=3/PE~230V 50Hz, P=1/N/PE~220-240V 50Hz





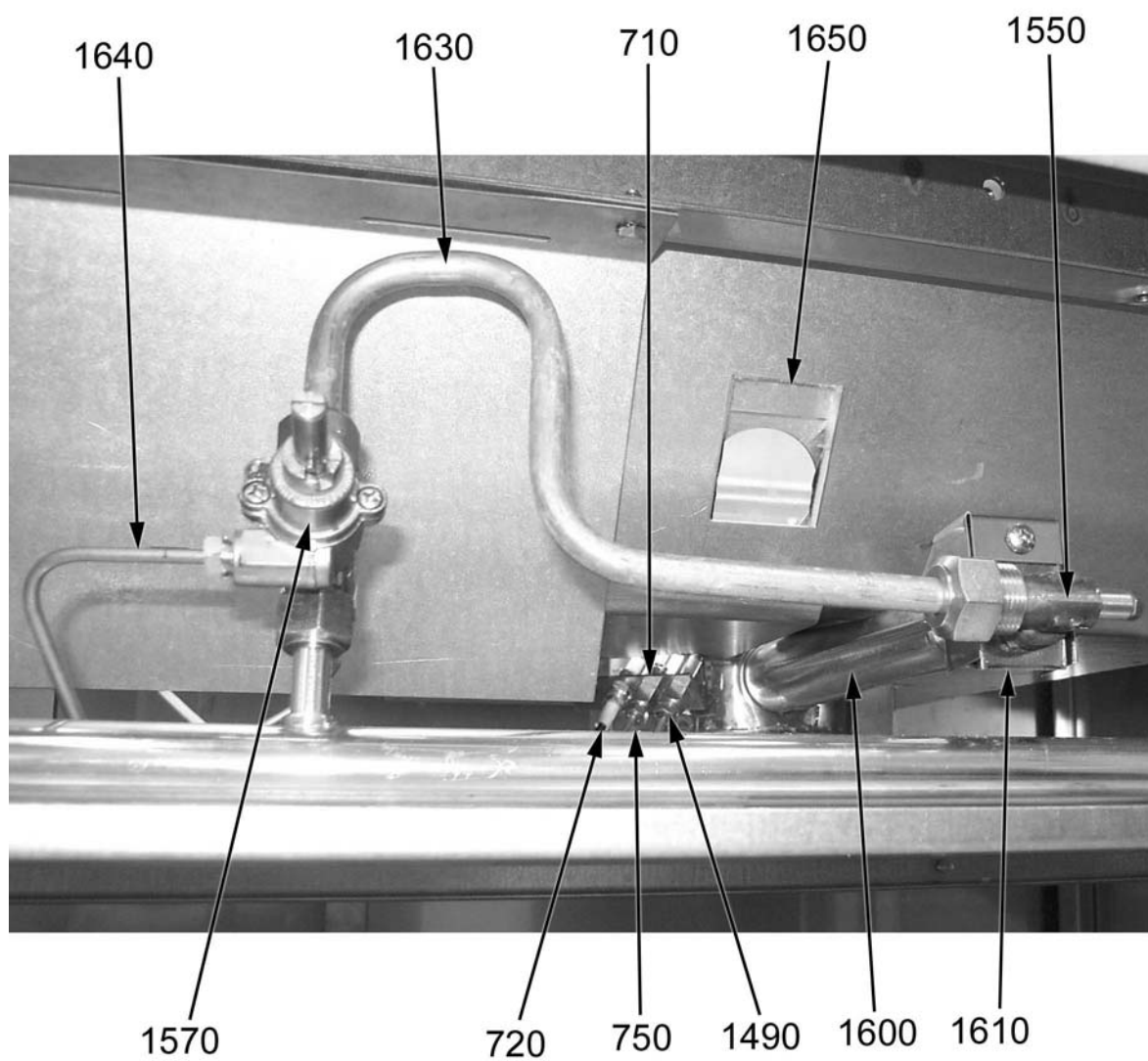
## Parti di ricambio

ID	Tipo	Voltaggio	Descrizione	Codici
<b>Module: Bruciatore del tuttapietra 1</b>				
710			Pilota	6A013220
720			Candela di accensione	6A013302
750			Ugello 27-2	6A013230
750			Ugello 16-2	6A013240
750			Ugello 38-1	2510332
750			Ugello 45-2	2510716
1490			Termocoppia	6A011912
1600			Bruciatore tuttapietra	2510069
1550			Raccordo	6A014708
1630			Conduttura da 10 mm RUB-BRUC tuttapietra	2514555
1630			Conduttura da 12 mm RUB-BRUC tuttapietra	2514574
1640			Conduttura da 4 mm RUB-PIL tuttapietra	2514556
1570			Rubinetto	6A011490
1570			Rubinetto per Gas Citta	6A011500
1650			Vetro	6A032600

74ST=74/02CTG, 74STT=74/02TCTG, 74STG=74/02CTGG, 74STG+2=74/02+2CTGG, 2FX+PCF=2FX+PCF,  
 74STE=74/02CTGE, 76ST=76/02CTG, 76STG=76/02CTGG, 76STG+4=76/02+4CTGG, 4FX+PCF=4FX+PCF,  
 76STTG=76/02TCTGG, 76STGE=76/02CTGGE

A=3/N/PE~400/230V 50Hz, H=3/PE~230V 50Hz, P=1/N/PE~220-240V 50Hz





## Parti di ricambio

ID	Tipo	Voltaggio	Descrizione	Codici
<b>Module: Bruciatore del tuttapietra 2</b>				
1610			Kit ugelli IT tuttapietra	2591651
1610			Ugello L 180	
1610			Ugello L 270	
1610			Ugello L 280	
1610			By pass	
1610			Kit ugelli DE tuttapietra	2591652
1610			Ugello L 155	
1610			Ugello L 270	
1610			Ugello L 280	
1610			Ugello L 300	
1610			By pass	
1610			Kit ugelli H tuttapietra	2591653
1610			Ugello L 180	
1610			Ugello L 280	
1610			Ugello L 255	
1610			By pass	
1610			Kit ugelli Gas Citta tuttapietra	2591619
1610			Ugello L 180	
1610			Ugello L 270	
1610			Ugello L 280	
1610			Ugello L 600	
1610			Ugello 45-2	

74ST=74/02CTG, 74STT=74/02TCTG, 74STG=74/02CTGG, 74STG+2=74/02+2CTGG, 2FX+PCF=2FX+PCF,  
 74STE=74/02CTGE, 76ST=76/02CTG, 76STG=76/02CTGG, 76STG+4=76/02+4CTGG, 4FX+PCF=4FX+PCF,  
 76STTG=76/02TCTGG, 76STGE=76/02CTGGE

A=3/N/PE~400/230V 50Hz, H=3/PE~230V 50Hz, P=1/N/PE~220-240V 50Hz

