



CUCINE A GAS

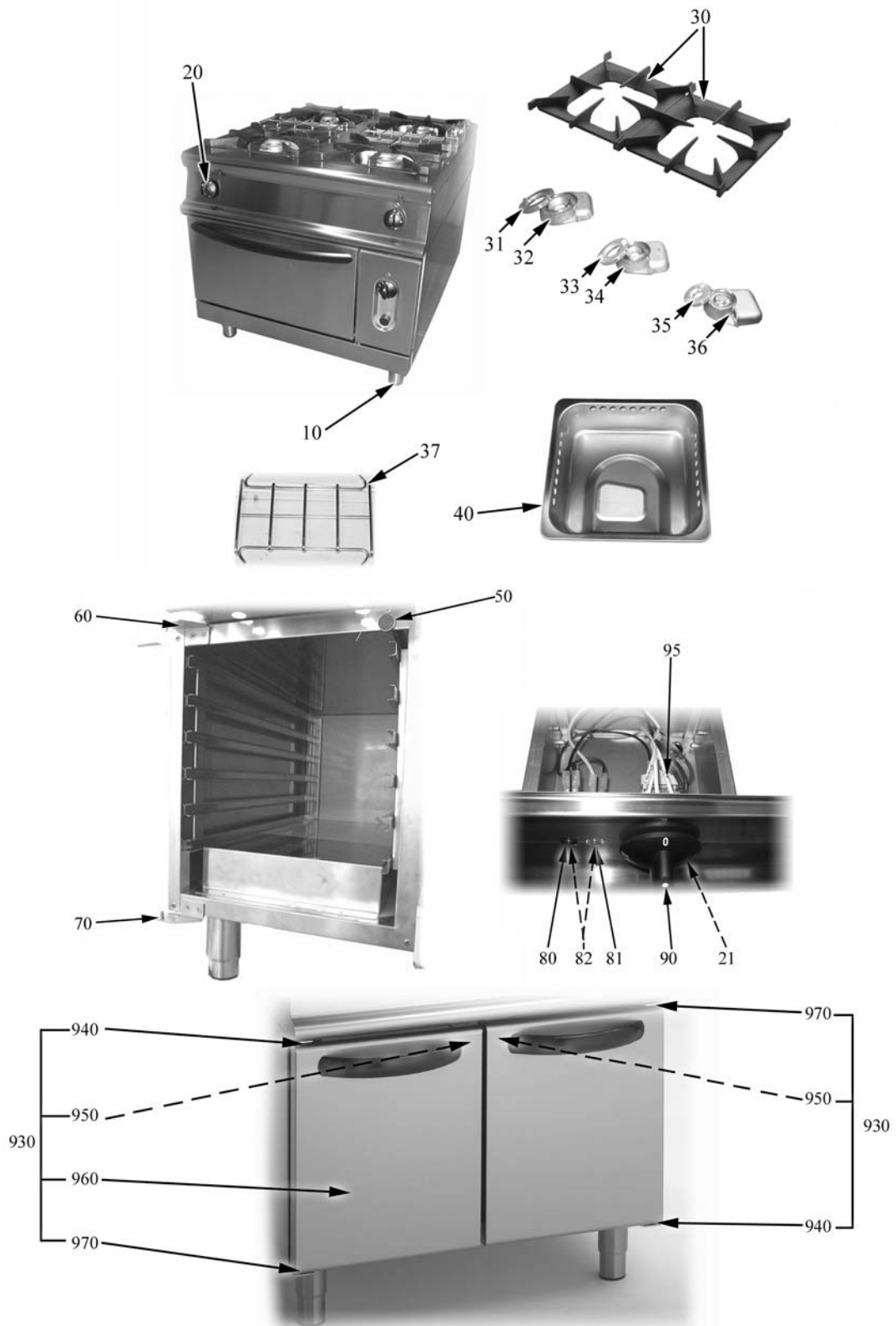
Serie 1100

TIPO: 110/45CG, 110/45TCG, 110/90CG, 110/90TCG, 110/135CG, 110/135TCG, 110/90CGG, 110/90CGE, 110/135CGG, 110/135CGGE, 110/135CGE, 110/135CGEE, 110/45CG1P, 110/45TCG1P, 110/90CG1P, 110/90TCG1P, 110/135CG2P, 110/135TCG2P, 110/90CGG1P, 110/90CGE1P, 110/135CGG2P, 110/135CGGE2P, 110/135CGE2P, 110/135CGEE2P, 110/45CGP, 110/45TCGP, 110/90CGP, 110/90TCGP, 110/135CGP, 110/135TCGP, 110/90CGGP, 110/90CGEP, 110/135CGGP, 110/135CGGEP, 110/135CGEP, 110/135CGEEP

Parti di ricambio



Parti di ricambio



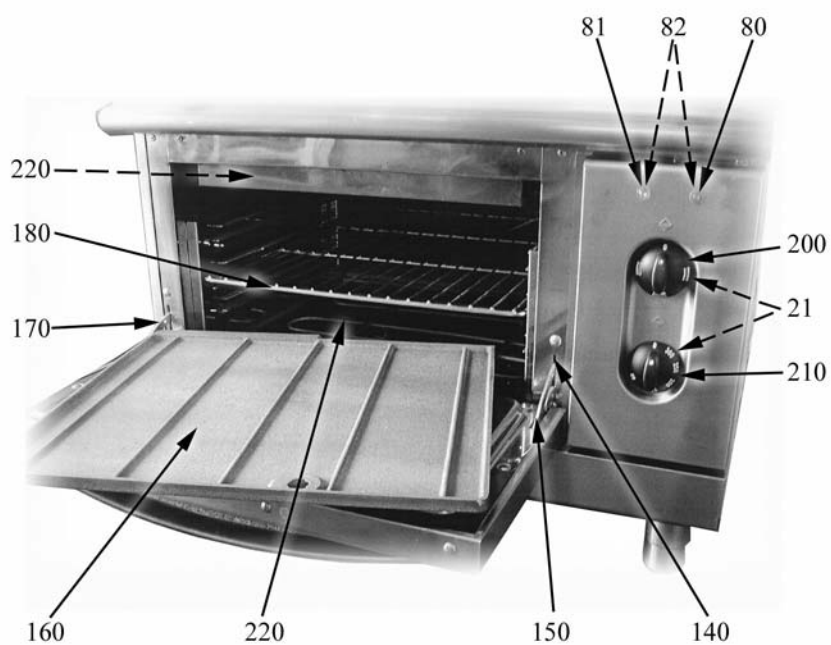
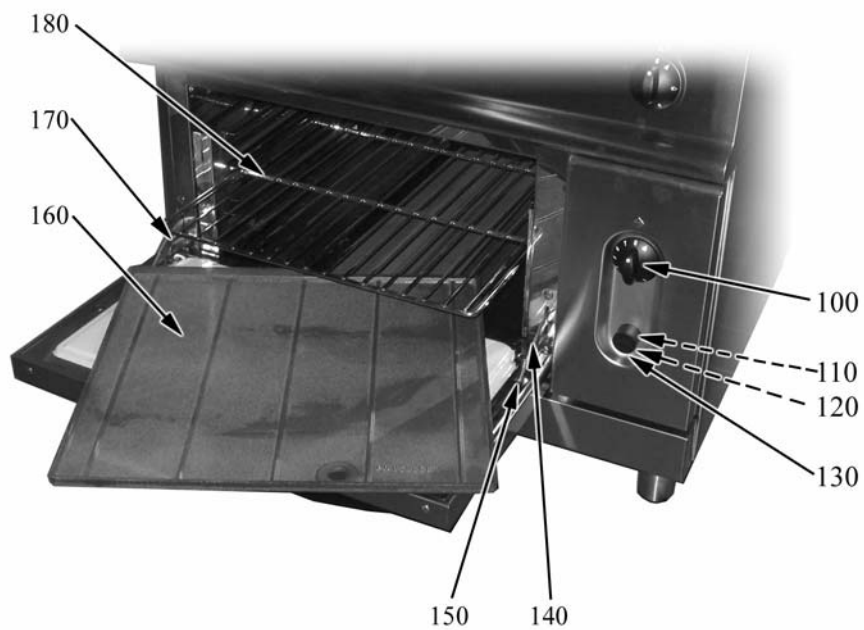
Parti di ricambio

| ID | Tipo | Descrizione | Codici |
|--|---|---|-----------|
| Module: Parti esterne fuochi, armadio caldo e kit porte | | | |
| 10 | 45G,90G,135G,90GG,90GE,135GG,135GGE,135GE,135GEE,45G1P,90G1P,135G2P,90GG1P,90GE1P,135GG2P,135GGE2P,135GE2P,135GEE2P,45GP,90GP,135GP,90GGP,90GEP,135GGP,135GGEP,135GEP,135GEEP | Piedino | 826490142 |
| 20 | | Manopola cucina gas nera | 2599300 |
| 21 | 135GGE,135GEE,135GGE2P,135GEE2P,135GGEP,135GEEP | Guarnizione manopola | 2519490 |
| 30 | | Griglia smaltata | 6A003900 |
| 31 | 45G,90G,135G,90GG,90GE,135GG,135GGE,135GE,135GEE,45G1P,90G1P,135G2P,90GG1P,90GE1P,135GG2P,135GGE2P,135GE2P,135GEE2P,45TG,90TG,135TG,45TG1P,90TG1P,135TG2P | Bruciatore (spartifiamma "C") | 2510352 |
| 32 | 45G,90G,135G,90GG,90GE,135GG,135GGE,135GE,135GEE,45G1P,90G1P,135G2P,90GG1P,90GE1P,135GG2P,135GGE2P,135GE2P,135GEE2P,45TG,90TG,135TG,45TG1P,90TG1P,135TG2P | Bruciatore (bicchiere "C") | 2510351 |
| 33 | 90G,135G,90GG,90GE,135GG,135GGE,135GE,135GEE,90TG,135TG,90G1P,135G2P,90GG1P,90GE1P,135GG2P,135GGE2P,135GE2P,135GEE2P,90TG1P,135TG2P | Bruciatore (spartifiamma "D") | 2510355 |
| 34 | 90G,135G,90GG,90GE,135GG,135GGE,135GE,135GEE,90TG,135TG,90G1P,135G2P,90GG1P,90GE1P,135GG2P,135GGE2P,135GE2P,135GEE2P,90TG1P,135TG2P | Bruciatore (bicchiere "D") | 2510354 |
| 35 | | Bruciatore (spartifiamma "E") 7-10 kW | 2510341 |
| 36 | | Bruciatore (bicchiere "E") 7-10 kW | 2510357 |
| 37 | | Griglia inox | 2517030 |
| 40 | | Bacinella | 2571050 |
| 50 | 135GG,135GGE,135GE,135GEE,135GG2P,135GGE2P,135GE2P,135GEE2P,135GGP,135GGEP,135GEP,135GEEP | Magnete | 826900011 |
| 60 | 135GG,135GGE,135GE,135GEE,135GG2P,135GGE2P,135GE2P,135GEE2P,135GGP,135GGEP,135GEP,135GEEP | Cerniera superiore sx inferiore dx porta | 2547870 |
| 70 | 135GG,135GGE,135GE,135GEE,135GG2P,135GGE2P,135GE2P,135GEE2P,135GGP,135GGEP,135GEP,135GEEP | Cerniera superiore dx inferiore sx porta | 2547860 |
| 80 | 135GGE,135GEE,135GGE2P,135GEE2P,135GGEP,135GEEP | Gemma verde | 6A038507 |
| 81 | 135GGE,135GEE,135GGE2P,135GEE2P,135GGEP,135GEEP | Gemma bianca | 6A039207 |
| 82 | 135GGE,135GEE,135GGE2P,135GEE2P,135GGEP,135GEEP | Segnalatori luminosi | 6A038506 |
| 90 | 135GGE,135GEE,135GGE2P,135GEE2P,135GGEP,135GEEP | Manopola nera per armadio caldo e bagno maria elett | 2599310 |
| 95 | 135GGE,135GEE,135GGE2P,135GEE2P,135GGEP,135GEEP | Interruttore termostato | 826630230 |
| 930 | 45G,90G,135G,45G1P,90G1P,135G2P,45GP,90GP,135GP | Kit porta | 2593510 |
| 940 | 45G,90G,135G,45G1P,90G1P,135G2P,45GP,90GP,135GP | Cerniera inferiore destra superiore sinistra porta | 2547870 |
| 950 | 45G,90G,135G,45G1P,90G1P,135G2P,45GP,90GP,135GP | Magnete | 826900011 |
| 960 | 45G,90G,135G,45G1P,90G1P,135G2P,45GP,90GP,135GP | Porta | 2593160 |
| 970 | 45G,90G,135G,45G1P,90G1P,135G2P,45GP,90GP,135GP | Cerniera inferiore sinistra superiore destra porta | 2547860 |

45G=110/45CG, 45TG=110/45TCG, 90G=110/90CG, 90TG=110/90TCG, 135G=110/135CG, 135TG=110/135TCG, 90GG=110/90CGG, 90GE=110/90CGE, 135GG=110/135CGG, 135GGE=110/135CGGE, 135GE=110/135CGE, 135GEE=110/135CGEE, 45G1P=110/45CG1P, 45TG1P=110/45TCG1P, 90G1P=110/90CG1P, 90TG1P=110/90TCG1P, 135G2P=110/135CG2P, 135TG2P=110/135TCG2P, 90GG1P=110/90CGG1P, 90GE1P=110/90CGE1P, 135GG2P=110/135CGG2P, 135GGE2P=110/135CGGE2P, 135GE2P=110/135CGE2P, 135GEE2P=110/135CGEE2P, 45GP=110/45CGP, 45TGP=110/45TCGP, 90GP=110/90CGP, 90TGP=110/90TCGP, 135GP=110/135CGP, 135TGP=110/135TCGP, 90GGP=110/90CGGP, 90GEP=110/90CGEP, 135GGP=110/135CGGP, 135GGEP=110/135CGGEP, 135GEP=110/135CGEP, 135GEEP=110/135CGEEP

A=3/N/PE~400/230V 50Hz, H=3/PE~230V 50Hz, P=1/N/PE~220-240V 50Hz





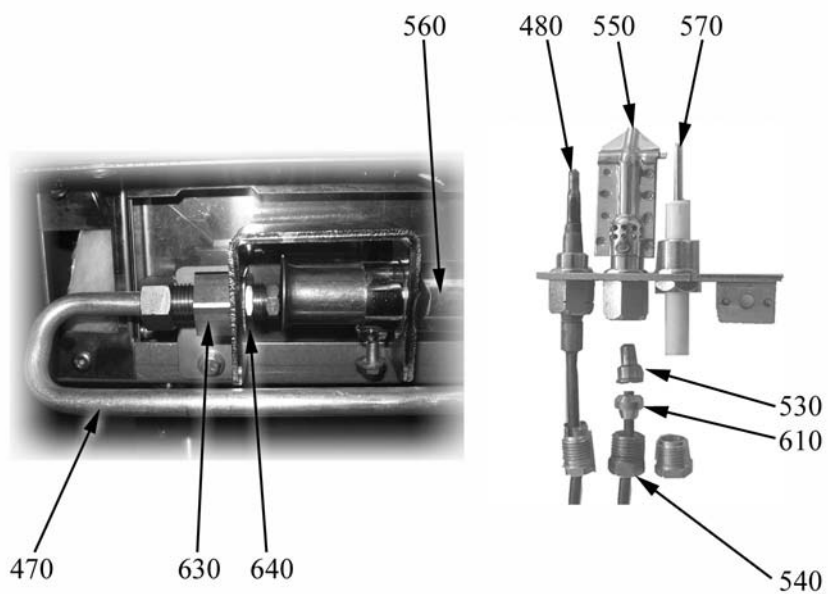
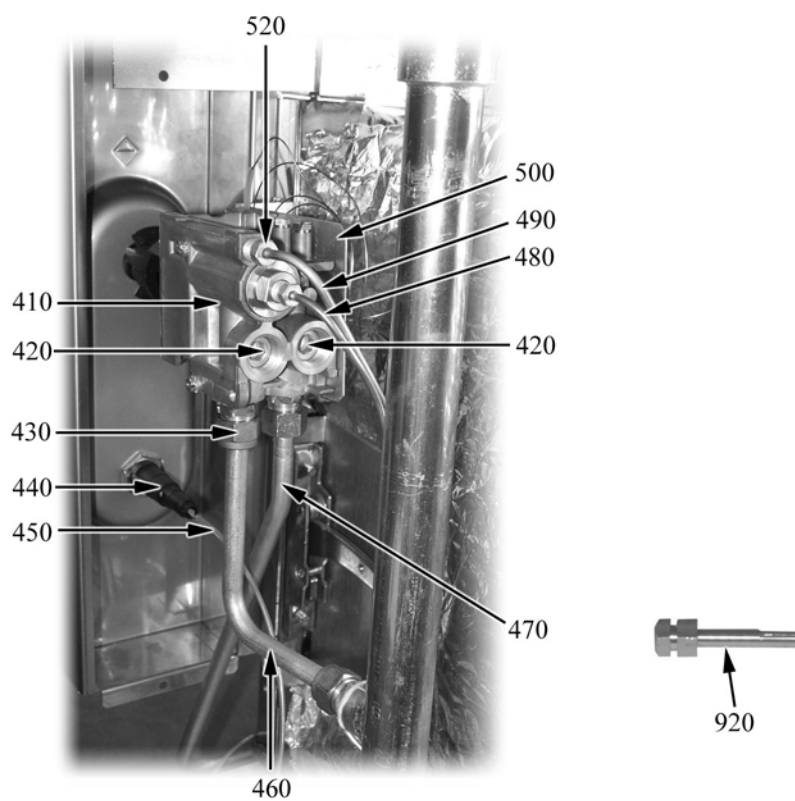
Parti di ricambio

| ID | Tipo | Descrizione | Codici |
|---|--|---|-----------|
| Module: Parti esterne forno gas ed elettrico | | | |
| 100 | 90GG,135GG,135GGE,90GG1P,135GG2P,135GGE2P,90GGP,135GGP,135GGEP | Manopola nera per forno gas | 2599202 |
| 110 | 90GG,135GG,135GGE,90GG1P,135GG2P,135GGE2P,90GGP,135GGP,135GGEP | Accensione piezoelettrica | 6A041105 |
| 120 | 90GG,135GG,135GGE,90GG1P,135GG2P,135GGE2P,90GGP,135GGP,135GGEP | Rondella | 822160540 |
| 130 | 90GG,135GG,135GGE,90GG1P,135GG2P,135GGE2P,90GGP,135GGP,135GGEP | Cappuccio | 826630420 |
| 140 | 90GG,90GE,135GG,135GGE,135GE,135GEE,90GG1P,90GE1P,135GG2P,135GGE2P,135GE2P,135GEE2P,90GGP,90GEP,135GGP,135GGEP,135GEEP,135GEEP | Portarullini per cerniera | 6A035930 |
| 150 | 90GG,90GE,135GG,135GGE,135GE,135GEE,90GG1P,90GE1P,135GG2P,135GGE2P,135GE2P,135GEE2P,90GGP,90GEP,135GGP,135GGEP,135GEEP,135GEEP | Cerniera dx | 6A035910 |
| 160 | 90GG,90GE,135GG,135GGE,135GE,135GEE,90GG1P,90GE1P,135GG2P,135GGE2P,135GE2P,135GEE2P,90GGP,90GEP,135GGP,135GGEP,135GEEP,135GEEP | Suola forno | 6A001010 |
| 170 | 90GG,90GE,135GG,135GGE,135GE,135GEE,90GG1P,90GE1P,135GG2P,135GGE2P,135GE2P,135GEE2P,90GGP,90GEP,135GGP,135GGEP,135GEEP,135GEEP | Cerniera sx | 6A035920 |
| 180 | 90GG,90GE,135GG,135GGE,135GE,135GEE,90GG1P,90GE1P,135GG2P,135GGE2P,135GE2P,135GEE2P,90GGP,90GEP,135GGP,135GGEP,135GEEP,135GEEP | Griglia | 826330120 |
| 21 | 90GE,135GE,135GEE,90GE1P,135GE2P,135GEE2P,90GEP,135GEP,135GEEP | Guarnizione manopola | 2519490 |
| 82 | 90GE,135GE,135GEE,90GE1P,135GE2P,135GEE2P,90GEP,135GEP,135GEEP | Segnalatori luminosi | 6A038506 |
| 81 | 90GE,135GE,135GEE,90GE1P,135GE2P,135GEE2P,90GEP,135GEP,135GEEP | Gemma bianca | 6A039207 |
| 80 | 90GE,135GE,135GEE,90GE1P,135GE2P,135GEE2P,90GEP,135GEP,135GEEP | Gemma verde | 6A038507 |
| 200 | 90GE,135GE,135GEE,90GE1P,135GE2P,135GEE2P,90GEP,135GEP,135GEEP | Manopola commutatore forno elettrico nera | 2599207 |
| 210 | 90GE,135GE,135GEE,90GE1P,135GE2P,135GEE2P,90GEP,135GEP,135GEEP | Manopola forno elettrico nera | 2599208 |
| 220 | 90GE,135GE,135GEE,90GE1P,135GE2P,135GEE2P,90GEP,135GEP,135GEEP | Resistenza 1500 W | 826620041 |

45G=110/45CG, 45TG=110/45TCG, 90G=110/90CG, 90TG=110/90TCG, 135G=110/135CG, 135TG=110/135TCG, 90GG=110/90CGG, 90GE=110/90CGE, 135GG=110/135CGG, 135GGE=110/135CGGE, 135GE=110/135CGE, 135GEE=110/135CGEE, 45G1P=110/45CG1P, 45TG1P=110/45TCG1P, 90G1P=110/90CG1P, 90TG1P=110/90TCG1P, 135G2P=110/135CG2P, 135TG2P=110/135TCG2P, 90GG1P=110/90CGG1P, 90GE1P=110/90CGE1P, 135GG2P=110/135CGG2P, 135GGE2P=110/135CGGE2P, 135GE2P=110/135CGE2P, 135GEE2P=110/135CGEE2P, 45GP=110/45CGP, 45TGP=110/45TCGP, 90GP=110/90CGP, 90TGP=110/90TCGP, 135GP=110/135CGP, 135TGP=110/135TCGP, 90GGP=110/90CGGP, 90GEP=110/90CGEP, 135GGP=110/135CGGP, 135GGEP=110/135CGGEP, 135GEP=110/135CGEP, 135GEEP=110/135CGEEP

A=3/N/PE~400/230V 50Hz, H=3/PE~230V 50Hz, P=1/N/PE~220-240V 50Hz





Parti di ricambio

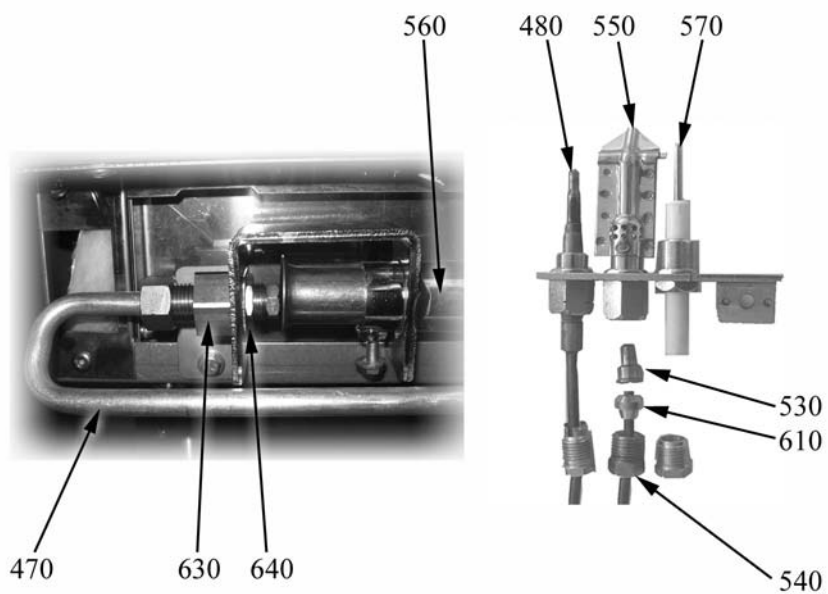
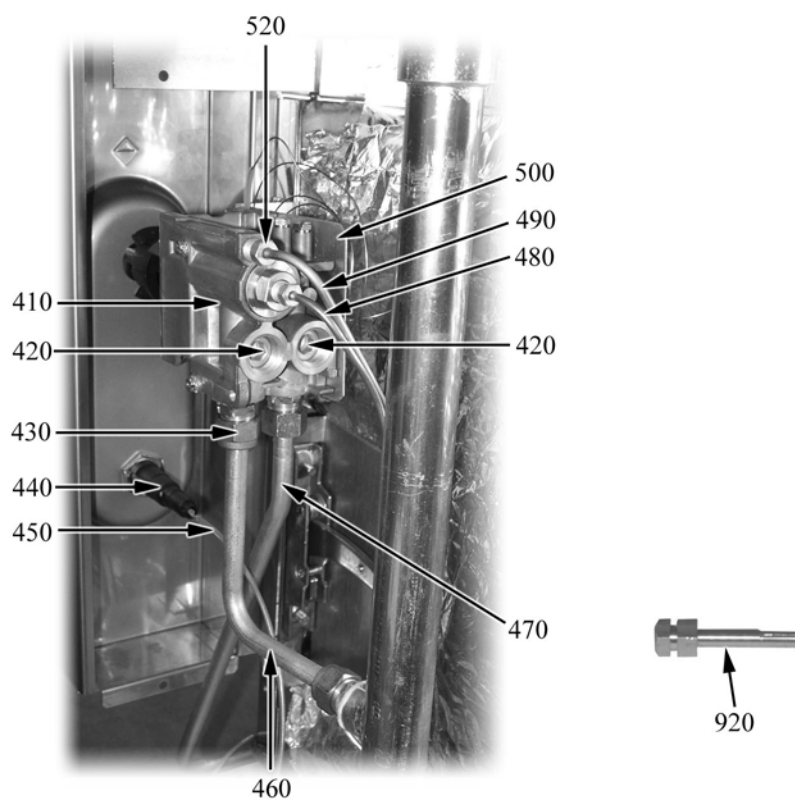
| ID | Tipo | Descrizione | Codici |
|--|--|---------------------------|-----------------|
| Module: Componenti forno a gas (valvola,bruciatore) | | | |
| 410 | 90GG,135GG,135GGE,90GG1P,135GG2P,135GGE2P,90GGP,135GGP,135GGEP | Valvola | 8219950 |
| 420 | 90GG,135GG,135GGE,90GG1P,135GG2P,135GGE2P,90GGP,135GGP,135GGEP | Tappo | 8219951 |
| 430 | 90GG,135GG,135GGE,90GG1P,135GG2P,135GGE2P,90GGP,135GGP,135GGEP | Raccordo | 822450170 |
| 440 | 90GG,135GG,135GGE,90GG1P,135GG2P,135GGE2P,90GGP,135GGP,135GGEP | Accensione piezoelettrica | 6A041105 |
| 450 | 90GG,135GG,135GGE,90GG1P,135GG2P,135GGE2P,90GGP,135GGP,135GGEP | Cavo d'accensione | 2510698 |
| 460 | 90GG,135GG,135GGE,90GG1P,135GG2P,135GGE2P,90GGP,135GGP,135GGEP | Conduttura | 2514615 |
| 470 | 90GG,135GG,135GGE,90GG1P,135GG2P,135GGE2P,90GGP,135GGP,135GGEP | Conduttura | 418235604 61 |
| 480 | 90GG,135GG,135GGE,90GG1P,135GG2P,135GGE2P,90GGP,135GGP,135GGEP | Termocoppia | 826920080 |
| 490 | 90GG,135GG,135GGE,90GG1P,135GG2P,135GGE2P,90GGP,135GGP,135GGEP | Conduttura | 2516030 |
| 500 | 90GG,135GG,135GGE,90GG1P,135GG2P,135GGE2P,90GGP,135GGP,135GGEP | Squadretta | 821120710 |

G=GAS

45G=110/45CG, 45TG=110/45TCG, 90G=110/90CG, 90TG=110/90TCG, 135G=110/135CG, 135TG=110/135TCG, 90GG=110/90CGG, 90GE=110/90CGE, 135GG=110/135CGG, 135GGE=110/135CGGE, 135GE=110/135CGE, 135GEE=110/135CGEE, 45G1P=110/45CG1P, 45TG1P=110/45TCG1P, 90G1P=110/90CG1P, 90TG1P=110/90TCG1P, 135G2P=110/135CG2P, 135TG2P=110/135TCG2P, 90GG1P=110/90CGG1P, 90GE1P=110/90CGE1P, 135GG2P=110/135CGG2P, 135GGE2P=110/135CGGE2P, 135GE2P=110/135CGE2P, 135GEE2P=110/135CGEE2P, 45GP=110/45CGP, 45TGP=110/45TCGP, 90GP=110/90CGP, 90TGP=110/90TCGP, 135GP=110/135CGP, 135TGP=110/135TCGP, 90GGP=110/90CGGP, 90GEP=110/90CGEP, 135GGP=110/135CGGP, 135GGEP=110/135CGGEP, 135GEP=110/135CGEP, 135GEEP=110/135CGEEP

A=3/N/PE~400/230V 50Hz, H=3/PE~230V 50Hz, P=1/N/PE~220-240V 50Hz





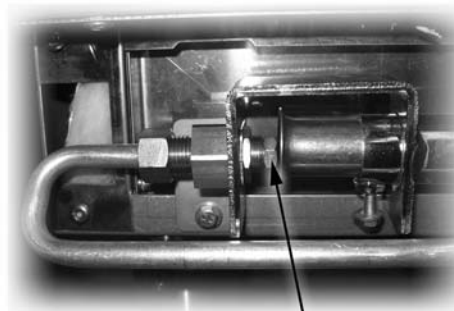
Parti di ricambio

| ID | Tipo | Descrizione | Codici |
|--|--|------------------|-----------|
| Module: Componenti forno a gas (valvola,bruciatore) | | | |
| 520 | 90GG,135GG,135GGE,90GG1P,135GG2P,135GGE2P,90GGP,135GGP,135GGEP | Raccordo bicono | 6A011608 |
| 530 | 90GG,135GG,135GGE,90GG1P,135GG2P,135GGE2P,90GGP,135GGP,135GGEP | Ugello 16.2 | 6A013240 |
| 530 | 90GG,135GG,135GGE,90GG1P,135GG2P,135GGE2P,90GGP,135GGP,135GGEP | Ugello 27.2 | 6A013230 |
| 530 | 90GG,135GG,135GGE,90GG1P,135GG2P,135GGE2P,90GGP,135GGP,135GGEP | Ugello 38R | 2510332 |
| 530 | 90GG,135GG,135GGE,90GG1P,135GG2P,135GGE2P,90GGP,135GGP,135GGEP | Ugello 32.2 | 2510334 |
| 540 | 90GG,135GG,135GGE,90GG1P,135GG2P,135GGE2P,90GGP,135GGP,135GGEP | Dado | 6A017000 |
| 550 | 90GG,135GG,135GGE,90GG1P,135GG2P,135GGE2P,90GGP,135GGP,135GGEP | Pilota | 6A013220 |
| 560 | 90GG,135GG,135GGE,90GG1P,135GG2P,135GGE2P,90GGP,135GGP,135GGEP | Bruciatore | 826390081 |
| 570 | 90GG,135GG,135GGE,90GG1P,135GG2P,135GGE2P,90GGP,135GGP,135GGEP | Candela | 6A013302 |
| 610 | 90GG,135GG,135GGE,90GG1P,135GG2P,135GGE2P,90GGP,135GGP,135GGEP | Bicono | 6A016900 |
| 630 | 90GG,135GG,135GGE,90GG1P,135GG2P,135GGE2P,90GGP,135GGP,135GGEP | Portaugello | 822450440 |
| 640 | 90GG,135GG,135GGE,90GG1P,135GG2P,135GGE2P,90GGP,135GGP,135GGEP | Dado M15x1 | 822180010 |
| 920 | 90GG,135GG,135GGE,90GG1P,135GG2P,135GGE2P,90GGP,135GGP,135GGEP | Attacco manopola | 2518650 |

45G=110/45CG, 45TG=110/45TCG, 90G=110/90CG, 90TG=110/90TCG, 135G=110/135CG, 135TG=110/135TCG, 90GG=110/90CGG, 90GE=110/90CGE, 135GG=110/135CGG, 135GGE=110/135CGGE, 135GE=110/135CGE, 135GEE=110/135CGEE, 45G1P=110/45CG1P, 45TG1P=110/45TCG1P, 90G1P=110/90CG1P, 90TG1P=110/90TCG1P, 135G2P=110/135CG2P, 135TG2P=110/135TCG2P, 90GG1P=110/90CGG1P, 90GE1P=110/90CGE1P, 135GG2P=110/135CGG2P, 135GGE2P=110/135CGGE2P, 135GE2P=110/135CGE2P, 135GEE2P=110/135CGEE2P, 45GP=110/45CGP, 45TGP=110/45TCGP, 90GP=110/90CGP, 90TGP=110/90TCGP, 135GP=110/135CGP, 135TGP=110/135TCGP, 90GGP=110/90CGGP, 90GEP=110/90CGEP, 135GGP=110/135CGGP, 135GGEP=110/135CGGEP, 135GEP=110/135CGEP, 135GEEP=110/135CGEEP

A=3/N/PE~400/230V 50Hz, H=3/PE~230V 50Hz, P=1/N/PE~220-240V 50Hz





710

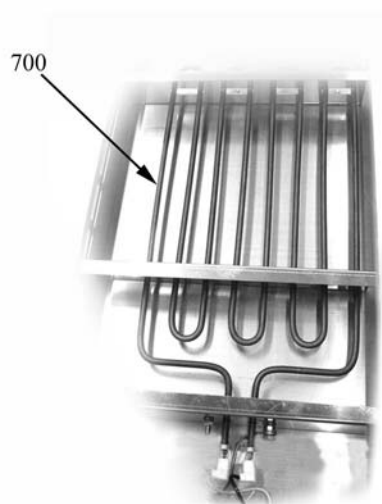
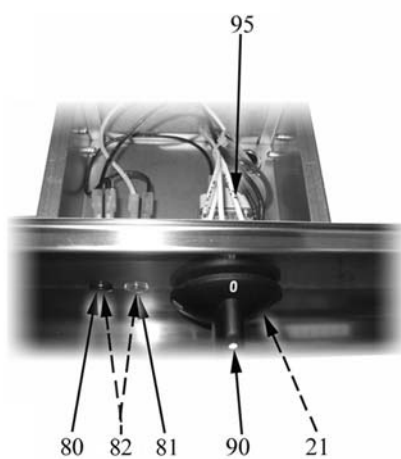
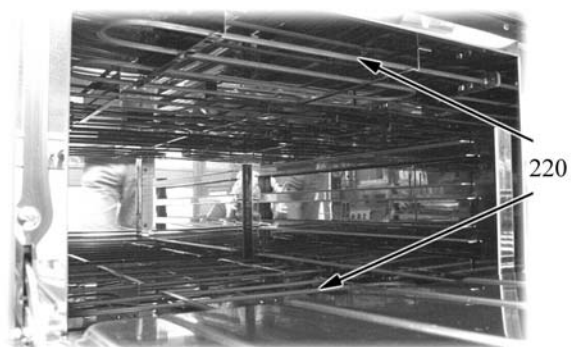
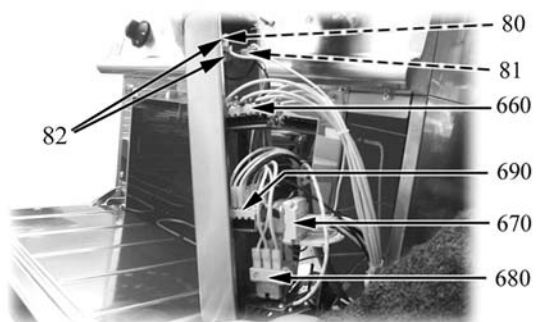
Parti di ricambio

| ID | Tipo | Descrizione | Codici |
|-----------------------------------|--|---------------------|---------|
| Module: Ugelli forno a gas | | | |
| 710 | 90GG,135GG,135GGE,90GG1P,135GG2P,135GGE2P,90GGP,135GGP,135GGEP | Kit ugelli IT forno | 2591980 |
| - | 90GG,135GG,135GGE,90GG1P,135GG2P,135GGE2P,90GGP,135GGP,135GGEP | Ugello BA 255 | |
| - | 90GG,135GG,135GGE,90GG1P,135GG2P,135GGE2P,90GGP,135GGP,135GGEP | Ugello 270 | |
| - | 90GG,135GG,135GGE,90GG1P,135GG2P,135GGE2P,90GGP,135GGP,135GGEP | Ugello 170 | |
| - | 90GG,135GG,135GGE,90GG1P,135GG2P,135GGE2P,90GGP,135GGP,135GGEP | Ugello 27.2 | |
| - | 90GG,135GG,135GGE,90GG1P,135GG2P,135GGE2P,90GGP,135GGP,135GGEP | Ugello 16.2 | |
| 710 | 90GG,135GG,135GGE,90GG1P,135GG2P,135GGE2P,90GGP,135GGP,135GGEP | Kit ugelli DE forno | 2591981 |
| - | 90GG,135GG,135GGE,90GG1P,135GG2P,135GGE2P,90GGP,135GGP,135GGEP | Ugello BA 255 | |
| - | 90GG,135GG,135GGE,90GG1P,135GG2P,135GGE2P,90GGP,135GGP,135GGEP | Ugello BA 145 | |
| - | 90GG,135GG,135GGE,90GG1P,135GG2P,135GGE2P,90GGP,135GGP,135GGEP | Ugello 295 | |
| - | 90GG,135GG,135GGE,90GG1P,135GG2P,135GGE2P,90GGP,135GGP,135GGEP | Ugello 27.2 | |
| - | 90GG,135GG,135GGE,90GG1P,135GG2P,135GGE2P,90GGP,135GGP,135GGEP | Ugello 16.2 | |
| 710 | 90GG,135GG,135GGE,90GG1P,135GG2P,135GGE2P,90GGP,135GGP,135GGEP | Kit ugelli H forno | 2591982 |
| - | 90GG,135GG,135GGE,90GG1P,135GG2P,135GGE2P,90GGP,135GGP,135GGEP | Ugello 170 | |
| - | 90GG,135GG,135GGE,90GG1P,135GG2P,135GGE2P,90GGP,135GGP,135GGEP | Ugello BA 240 | |
| - | 90GG,135GG,135GGE,90GG1P,135GG2P,135GGE2P,90GGP,135GGP,135GGEP | Ugello BA 285 | |
| - | 90GG,135GG,135GGE,90GG1P,135GG2P,135GGE2P,90GGP,135GGP,135GGEP | Ugello 27.2 | |
| - | 90GG,135GG,135GGE,90GG1P,135GG2P,135GGE2P,90GGP,135GGP,135GGEP | Ugello 16.2 | |
| - | 90GG,135GG,135GGE,90GG1P,135GG2P,135GGE2P,90GGP,135GGP,135GGEP | Ugello 38 | |
| 710 | 90GG,135GG,135GGE,90GG1P,135GG2P,135GGE2P,90GGP,135GGP,135GGEP | Kit ugelli PL forno | 2591983 |
| - | 90GG,135GG,135GGE,90GG1P,135GG2P,135GGE2P,90GGP,135GGP,135GGEP | Ugello BA 155 | |
| - | 90GG,135GG,135GGE,90GG1P,135GG2P,135GGE2P,90GGP,135GGP,135GGEP | Ugello BA 255 | |
| - | 90GG,135GG,135GGE,90GG1P,135GG2P,135GGE2P,90GGP,135GGP,135GGEP | Ugello 310 | |
| - | 90GG,135GG,135GGE,90GG1P,135GG2P,135GGE2P,90GGP,135GGP,135GGEP | Ugello 27.2 | |
| - | 90GG,135GG,135GGE,90GG1P,135GG2P,135GGE2P,90GGP,135GGP,135GGEP | Ugello 16.2 | |
| - | 90GG,135GG,135GGE,90GG1P,135GG2P,135GGE2P,90GGP,135GGP,135GGEP | Ugello 32.2 | |

45G=110/45CG, 45TG=110/45TCG, 90G=110/90CG, 90TG=110/90TCG, 135G=110/135CG, 135TG=110/135TCG, 90GG=110/90CGG, 90GE=110/90CGE, 135GG=110/135CGG, 135GGE=110/135CGGE, 135GE=110/135CGE, 135GEE=110/135CGEE, 45G1P=110/45CG1P, 45TG1P=110/45TCG1P, 90G1P=110/90CG1P, 90TG1P=110/90TCG1P, 135G2P=110/135CG2P, 135TG2P=110/135TCG2P, 90GG1P=110/90CGG1P, 90GE1P=110/90CGE1P, 135GG2P=110/135CGG2P, 135GGE2P=110/135CGGE2P, 135GE2P=110/135CGE2P, 135GEE2P=110/135CGEE2P, 45GP=110/45CGP, 45TGP=110/45TCGP, 90GP=110/90CGP, 90TGP=110/90TCGP, 135GP=110/135CGP, 135TGP=110/135TCGP, 90GGP=110/90CGGP, 90GEP=110/90CGEP, 135GGP=110/135CGGP, 135GGEP=110/135CGGEP, 135GEP=110/135CGEP, 135GEEP=110/135CGEEP

A=3/N/PE~400/230V 50Hz, H=3/PE~230V 50Hz, P=1/N/PE~220-240V 50Hz





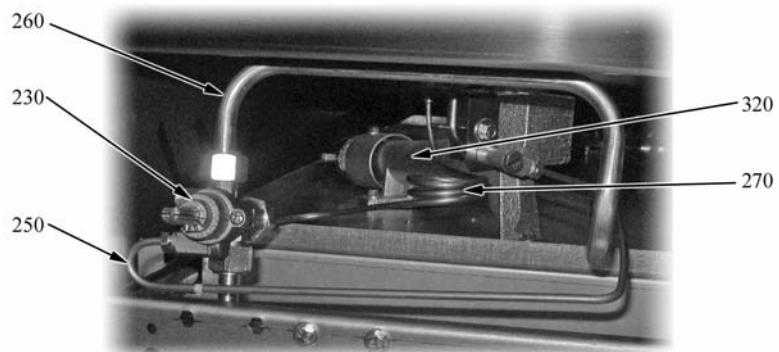
Parti di ricambio

| ID | Tipo | Descrizione | Codici |
|---|--|--|-----------|
| Module: Componenti forno elettrico e armadio caldo | | | |
| 220 | 90GE,135GE,135GEE,90GE1P,135GE2P,135GEE2P,90GEP,135GEP,135GEEP | Resistenza 1500 W | 826620041 |
| 660 | 90GE,135GE,135GEE,90GE1P,135GE2P,135GEE2P,90GEP,135GEP,135GEEP | Commutatore | 6A046750 |
| 670 | 90GE,135GE,135GEE,90GE1P,135GE2P,135GEE2P,90GEP,135GEP,135GEEP | Termostato | 6A044601 |
| 680 | 90GE,135GE,135GEE,90GE1P,135GE2P,135GEE2P,90GEP,135GEP,135GEEP | Termostato sicurezza | 826630130 |
| 690 | 90GE,135GE,135GEE,90GE1P,135GE2P,135GEE2P,90GEP,135GEP,135GEEP | Commutatore | 6A046001 |
| 740 | 90GE,135GE,135GEE,90GE1P,135GE2P,135GEE2P,90GEP,135GEP,135GEEP | Contattore | 6A047031 |
| 21 | 90GE,135GGE,135GE,135GEE,90GE1P,135GGE2P,135GE2P,135GEE2P,90GEP,135GGEP,135GEP,135GEEP | Guarnizione manopola | 2519490 |
| 80 | 90GE,135GGE,135GE,135GEE,90GE1P,135GGE2P,135GE2P,135GEE2P,90GEP,135GGEP,135GEP,135GEEP | Gemma verde | 6A038507 |
| 81 | 90GE,135GGE,135GE,135GEE,90GE1P,135GGE2P,135GE2P,135GEE2P,90GEP,135GGEP,135GEP,135GEEP | Gemma bianca | 6A039207 |
| 82 | 90GE,135GGE,135GE,135GEE,90GE1P,135GGE2P,135GE2P,135GEE2P,90GEP,135GGEP,135GEP,135GEEP | Segnalatori luminosi | 6A038506 |
| 90 | 135GGE,135GEE,135GGE2P,135GEE2P,135GGEP,135GEEP | Manopola nera per armadio caldo e bagnomaria elett | 2599210 |
| 95 | | Interruttore termostato | 826630230 |
| 700 | 135GGE,135GEE,135GGE2P,135GEE2P,135GGEP,135GEEP | Resistenza 700 W | 826620031 |

45G=110/45CG, 45TG=110/45TCG, 90G=110/90CG, 90TG=110/90TCG, 135G=110/135CG, 135TG=110/135TCG, 90GG=110/90CGG, 90GE=110/90CGE, 135GG=110/135CGG, 135GGE=110/135CGGE, 135GE=110/135CGE, 135GEE=110/135CGEE, 45G1P=110/45CG1P, 45TG1P=110/45TCG1P, 90G1P=110/90CG1P, 90TG1P=110/90TCG1P, 135G2P=110/135CG2P, 135TG2P=110/135TCG2P, 90GG1P=110/90CGG1P, 90GE1P=110/90CGE1P, 135GG2P=110/135CGG2P, 135GGE2P=110/135CGGE2P, 135GE2P=110/135CGE2P, 135GEE2P=110/135CGEE2P, 45GP=110/45CGP, 45TGP=110/45TCGP, 90GP=110/90CGP, 90TGP=110/90TCGP, 135GP=110/135CGP, 135TGP=110/135TCGP, 90GGP=110/90CGGP, 90GEP=110/90CGEP, 135GGP=110/135CGGP, 135GGEP=110/135CGGEP, 135GEP=110/135CGEP, 135GEEP=110/135CGEEP

A=3/N/PE~400/230V 50Hz, H=3/PE~230V 50Hz, P=1/N/PE~220-240V 50Hz





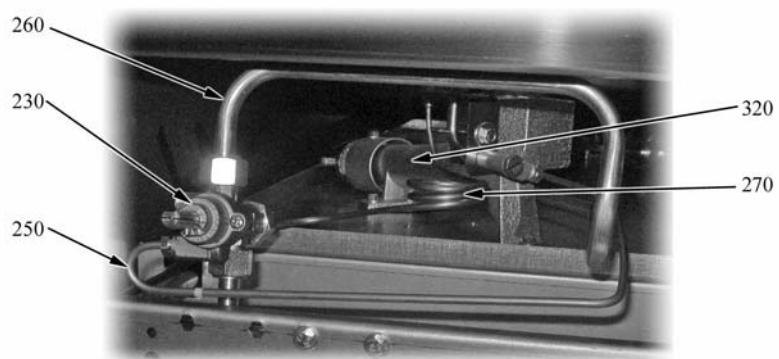
Parti di ricambio

| ID | Tipo | Descrizione | Codici |
|--|---|------------------------------------|----------|
| Module: Bruciatori e condutture fuochi aperti Tipo "C" 3,5 kW | | | |
| 240 | | Pilota | 2510359 |
| 280 | 45G,90G,135G,90GG,90GE,135GG,135GGE,135GE,135GEE,45G1P,90G1P,135G2P,90GG1P,90GE1P,135GG2P,135GGE2P,135GE2P,135GEE2P,45TG,90TG,135TG,45TG1P,90TG1P,135TG2P | Venturi bruciatore "C" 3,5 kW | 2510347 |
| 290 | | Tubo portafiamma | 2518999 |
| 300 | | Raccordo | 6A014708 |
| 310 | | Regolatore d'aria | 2519002 |
| 230 | | Rubinetto | 6A011490 |
| 270 | | Termocoppia | 6A011905 |
| 330 | 45G,90G,135G,90GG,90GE,135GG,135GGE,135GE,135GEE,45G1P,90G1P,135G2P,90GG1P,90GE1P,135GG2P,135GGE2P,135GE2P,135GEE2P,45TG,90TG,135TG,45TG1P,90TG1P,135TG2P | Conduttura d. 4 destra o centrale | 2516045 |
| 390 | | Vite | 2510610 |
| 400 | 45G,90G,135G,90GG,90GE,135GG,135GGE,135GE,135GEE,45G1P,90G1P,135G2P,90GG1P,90GE1P,135GG2P,135GGE2P,135GE2P,135GEE2P,45TG,90TG,135TG,45TG1P,90TG1P,135TG2P | Conduttura d. 10 destra o centrale | 2516039 |
| 250 | 45G,90G,135G,90GG,90GE,135GG,135GGE,135GE,135GEE,45G1P,90G1P,135G2P,90GG1P,90GE1P,135GG2P,135GGE2P,135GE2P,135GEE2P,45TG,90TG,135TG,45TG1P,90TG1P,135TG2P | Conduttura d. 4 sinistra | 2516046 |
| 260 | 45G,90G,135G,90GG,90GE,135GG,135GGE,135GE,135GEE,45G1P,90G1P,135G2P,90GG1P,90GE1P,135GG2P,135GGE2P,135GE2P,135GEE2P,45TG,90TG,135TG,45TG1P,90TG1P,135TG2P | Conduttura d. 10 sinistra | 2516040 |

45G=110/45CG, 45TG=110/45TCG, 90G=110/90CG, 90TG=110/90TCG, 135G=110/135CG, 135TG=110/135TCG, 90GG=110/90CGG, 90GE=110/90CGE, 135GG=110/135CGG, 135GGE=110/135CGGE, 135GE=110/135CGE, 135GEE=110/135CGEE, 45G1P=110/45CG1P, 45TG1P=110/45TCG1P, 90G1P=110/90CG1P, 90TG1P=110/90TCG1P, 135G2P=110/135CG2P, 135TG2P=110/135TCG2P, 90GG1P=110/90CGG1P, 90GE1P=110/90CGE1P, 135GG2P=110/135CGG2P, 135GGE2P=110/135CGGE2P, 135GE2P=110/135CGE2P, 135GEE2P=110/135CGEE2P, 45GP=110/45CGP, 45TGP=110/45TCGP, 90GP=110/90CGP, 90TGP=110/90TCGP, 135GP=110/135CGP, 135TGP=110/135TCGP, 90GGP=110/90CGGP, 90GEP=110/90CGEP, 135GGP=110/135CGGP, 135GGEP=110/135CGGEP, 135GEP=110/135CGEP, 135GEEP=110/135CGEEP

A=3/N/PE~400/230V 50Hz, H=3/PE~230V 50Hz, P=1/N/PE~220-240V 50Hz





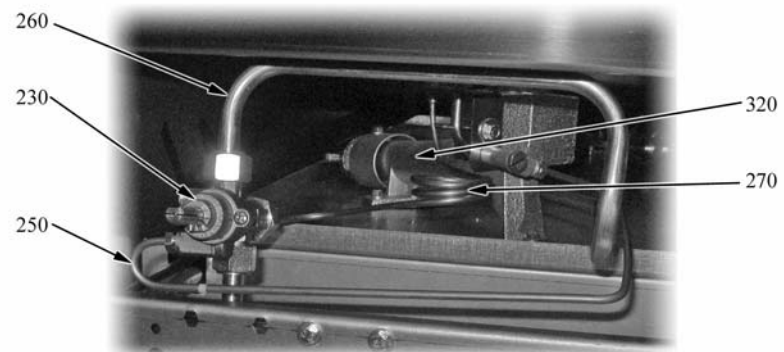
Parti di ricambio

| ID | Tipo | Descrizione | Codici |
|--|---|------------------------------------|----------|
| Module: Bruciatori e condutture fuochi aperti Tipo "D" 5,6 kW | | | |
| 240 | | Pilota | 2510359 |
| 280 | 90G,135G,90GG,90GE,135GG,135GGE,135GE,135GEE,90TG,135TG,90G1P,135G2P,90GG1P,90GE1P,135GG2P,135GGE2P,135GE2P,135GEE2P,90TG1P,135TG2P | Venturi bruciatore "D" 5,6 kW | 2510348 |
| 290 | | Tubo portafiamma | 2518999 |
| 300 | | Raccordo | 6A014708 |
| 310 | | Regolatore d'aria | 2519002 |
| 230 | | Rubinetto | 6A011490 |
| 270 | | Termocoppia | 6A011905 |
| 330 | 90G,135G,90GG,90GE,135GG,135GGE,135GE,135GEE,90TG,135TG,90G1P,135G2P,90GG1P,90GE1P,135GG2P,135GGE2P,135GE2P,135GEE2P,90TG1P,135TG2P | Conduttura d. 4 destra o centrale | 2516043 |
| 390 | | Vite | 2510610 |
| 400 | 90G,135G,90GG,90GE,135GG,135GGE,135GE,135GEE,90TG,135TG,90G1P,135G2P,90GG1P,90GE1P,135GG2P,135GGE2P,135GE2P,135GEE2P,90TG1P,135TG2P | Conduttura d. 10 destra o centrale | 2516037 |
| 250 | 90G,135G,90GG,90GE,135GG,135GGE,135GE,135GEE,90TG,135TG,90G1P,135G2P,90GG1P,90GE1P,135GG2P,135GGE2P,135GE2P,135GEE2P,90TG1P,135TG2P | Conduttura d. 4 sinistra | 2516044 |
| 260 | 90G,135G,90GG,90GE,135GG,135GGE,135GE,135GEE,90TG,135TG,90G1P,135G2P,90GG1P,90GE1P,135GG2P,135GGE2P,135GE2P,135GEE2P,90TG1P,135TG2P | Conduttura d. 10 sinistra | 2516038 |

45G=110/45CG, 45TG=110/45TCG, 90G=110/90CG, 90TG=110/90TCG, 135G=110/135CG, 135TG=110/135TCG, 90GG=110/90CGG, 90GE=110/90CGE, 135GG=110/135CGG, 135GGE=110/135CGGE, 135GE=110/135CGE, 135GEE=110/135CGEE, 45G1P=110/45CG1P, 45TG1P=110/45TCG1P, 90G1P=110/90CG1P, 90TG1P=110/90TCG1P, 135G2P=110/135CG2P, 135TG2P=110/135TCG2P, 90GG1P=110/90CGG1P, 90GE1P=110/90CGE1P, 135GG2P=110/135CGG2P, 135GGE2P=110/135CGGE2P, 135GE2P=110/135CGE2P, 135GEE2P=110/135CGEE2P, 45GP=110/45CGP, 45TGP=110/45TCGP, 90GP=110/90CGP, 90TGP=110/90TCGP, 135GP=110/135CGP, 135TGP=110/135TCGP, 90GGP=110/90CGGP, 90GEP=110/90CGEP, 135GGP=110/135CGGP, 135GGEP=110/135CGGEP, 135GEP=110/135CGEP, 135GEEP=110/135CGEEP

A=3/N/PE~400/230V 50Hz, H=3/PE~230V 50Hz, P=1/N/PE~220-240V 50Hz





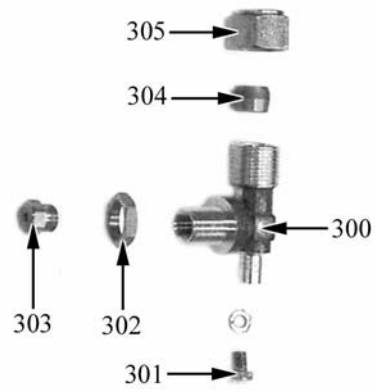
Parti di ricambio

| ID | Tipo | Descrizione | Codici |
|--|------|------------------------------------|----------|
| Module: Bruciatori e condutture fuochi aperti Tipo "E" 7 kW-"E" 10 kW | | | |
| 240 | | Pilota | 2510359 |
| 280 | | Venturi bruciatore "E" 7-10 kW | 2510349 |
| 290 | | Tubo portafiamma | 2518999 |
| 300 | | Raccordo | 6A014708 |
| 310 | | Regolatore d'aria | 2519002 |
| 230 | | Rubinetto | 6A011490 |
| 270 | | Termocoppia | 6A011905 |
| 330 | | Conduttura d. 4 destra o centrale | 2516041 |
| 390 | | Vite | 2510610 |
| 400 | | Conduttura d. 10 destra o centrale | 2516035 |
| 250 | | Conduttura d. 4 sinistra | 2516042 |
| 260 | | Conduttura d. 10 sinistra | 2516036 |

45G=110/45CG, 45TG=110/45TCG, 90G=110/90CG, 90TG=110/90TCG, 135G=110/135CG, 135TG=110/135TCG, 90GG=110/90CGG, 90GE=110/90CGE, 135GG=110/135CGG, 135GGE=110/135CGGE, 135GE=110/135CGE, 135GEE=110/135CGEE, 45G1P=110/45CG1P, 45TG1P=110/45TCG1P, 90G1P=110/90CG1P, 90TG1P=110/90TCG1P, 135G2P=110/135CG2P, 135TG2P=110/135TCG2P, 90GG1P=110/90CGG1P, 90GE1P=110/90CGE1P, 135GG2P=110/135CGG2P, 135GGE2P=110/135CGGE2P, 135GE2P=110/135CGE2P, 135GEE2P=110/135CGEE2P, 45GP=110/45CGP, 45TGP=110/45TCGP, 90GP=110/90CGP, 90TGP=110/90TCGP, 135GP=110/135CGP, 135TGP=110/135TCGP, 90GGP=110/90CGGP, 90GEP=110/90CGEP, 135GGP=110/135CGGP, 135GGEP=110/135CGGEP, 135GEP=110/135CGEP, 135GEPP=110/135CGEEP

A=3/N/PE~400/230V 50Hz, H=3/PE~230V 50Hz, P=1/N/PE~220-240V 50Hz





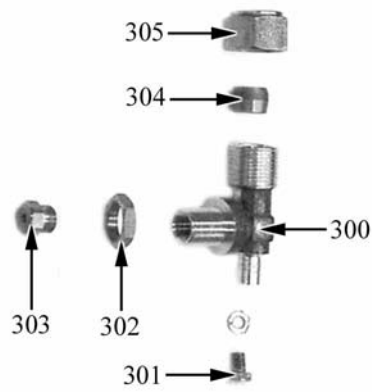
Parti di ricambio

| ID | Tipo | Descrizione | Codici |
|------------------------------------|------|--|----------|
| Module:Ugelli fuochi aperti | | | |
| 301 | | Vite | 2510610 |
| 302 | | Controdado | 6A010820 |
| 303 | | Kit ugelli IT fuochi aperti bruciatore "C" | 2592800 |
| - | | Ugello L 90 | |
| - | | Ugello L 140 | |
| - | | By pass | |
| - | | Ugello 35 | |
| 303 | | Kit ugelli DE fuochi aperti bruciatore "C" | 2592801 |
| - | | Ugello L 80 | |
| - | | Ugello L 140 | |
| - | | Ugello L 150 | |
| - | | By pass | |
| - | | Ugello 35 | |
| 303 | | Kit ugelli H fuochi aperti bruciatore "C" | 2592863 |
| - | | Ugello L 90 | |
| - | | Ugello L 130 | |
| - | | Ugello L 150 | |
| - | | By pass | |
| - | | Ugello 35 | |
| 303 | | Kit ugelli PL fuochi aperti bruciatore "C" | 2592897 |
| - | | Ugello L 85 | |
| - | | Ugello L 140 | |
| - | | Ugello L 155 | |
| - | | Ugello L 185 | |
| - | | By pass | |
| - | | Ugello 35 | |
| - | | Ugello 45 | |

45G=110/45CG, 45TG=110/45TCG, 90G=110/90CG, 90TG=110/90TCG, 135G=110/135CG, 135TG=110/135TCG, 90GG=110/90CGG, 90GE=110/90CGE, 135GG=110/135CGG, 135GGE=110/135CGGE, 135GE=110/135CGE, 135GEE=110/135CGEE, 45G1P=110/45CG1P, 45TG1P=110/45TCG1P, 90G1P=110/90CG1P, 90TG1P=110/90TCG1P, 135G2P=110/135CG2P, 135TG2P=110/135TCG2P, 90GG1P=110/90CGG1P, 90GE1P=110/90CGE1P, 135GG2P=110/135CGG2P, 135GGE2P=110/135CGGE2P, 135GE2P=110/135CGE2P, 135GEE2P=110/135CGEE2P, 45GP=110/45CGP, 45TGP=110/45TCGP, 90GP=110/90CGP, 90TGP=110/90TCGP, 135GP=110/135CGP, 135TGP=110/135TCGP, 90GGP=110/90CGGP, 90GEP=110/90CGEP, 135GGP=110/135CGGP, 135GGEP=110/135CGGEP, 135GEP=110/135CGEP, 135GEPP=110/135CGEPP

A=3/N/PE~400/230V 50Hz, H=3/PE~230V 50Hz, P=1/N/PE~220-240V 50Hz



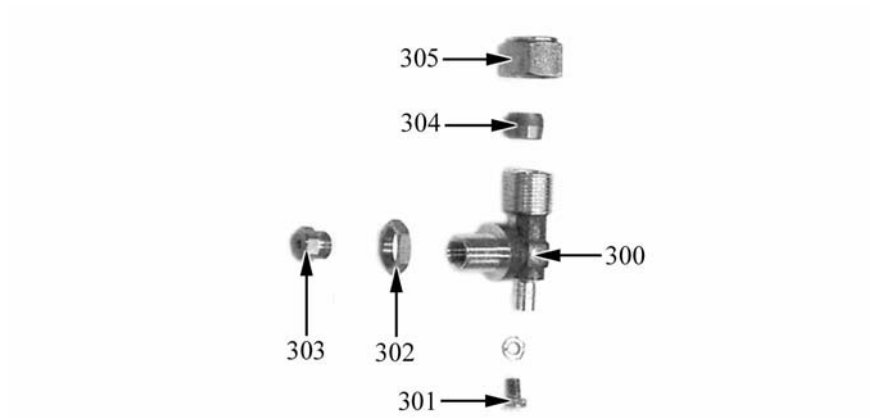


| ID | Tipo | Descrizione | Codici |
|------------------------------------|------|--|---------|
| Module:Ugelli fuochi aperti | | | |
| 303 | | Kit ugelli IT fuochi aperti bruciatore "D" | 2592802 |
| - | | Ugello L 115 | |
| - | | Ugello L 170R | |
| - | | By pass | |
| - | | Ugello 35 | |
| 303 | | Kit ugelli DE fuochi aperti bruciatore "D" | 2592803 |
| - | | Ugello L 105 | |
| - | | Ugello L 170R | |
| - | | Ugello L 185R | |
| - | | By pass | |
| - | | Ugello 35 | |
| 303 | | Kit ugelli H fuochi aperti bruciatore "D" | 2592864 |
| - | | Ugello L 115 | |
| - | | Ugello L 160R | |
| - | | Ugello L 180R | |
| - | | By pass | |
| - | | Ugello 35 | |
| 303 | | Kit ugelli PL fuochi aperti bruciatore "D" | 2592898 |
| - | | Ugello L 110 | |
| - | | Ugello L 170R | |
| - | | Ugello L 195 | |
| - | | Ugello L 245 | |
| - | | By pass | |
| - | | Ugello 35 | |
| - | | Ugello 45 | |

45G=110/45CG, 45TG=110/45TCG, 90G=110/90CG, 90TG=110/90TCG, 135G=110/135CG, 135TG=110/135TCG, 90GG=110/90CGG, 90GE=110/90CGE, 135GG=110/135CGG, 135GGE=110/135CGGE, 135GE=110/135CGE, 135GEE=110/135CGEE, 45G1P=110/45CG1P, 45TG1P=110/45TCG1P, 90G1P=110/90CG1P, 90TG1P=110/90TCG1P, 135G2P=110/135CG2P, 135TG2P=110/135TCG2P, 90GG1P=110/90CGG1P, 90GE1P=110/90CGE1P, 135GG2P=110/135CGG2P, 135GGE2P=110/135CGGE2P, 135GE2P=110/135CGE2P, 135GEE2P=110/135CGEE2P, 45GP=110/45CGP, 45TGP=110/45TCGP, 90GP=110/90CGP, 90TGP=110/90TCGP, 135GP=110/135CGP, 135TGP=110/135TCGP, 90GGP=110/90CGGP, 90GEP=110/90CGEP, 135GGP=110/135CGGP, 135GGEP=110/135CGGEP, 135GEP=110/135CGEP, 135GEEP=110/135CGEEP

A=3/N/PE~400/230V 50Hz, H=3/PE~230V 50Hz, P=1/N/PE~220-240V 50Hz





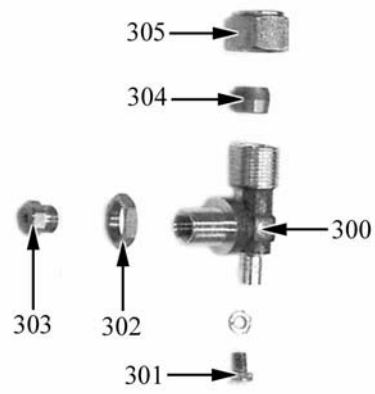
| ID | Tipo | Descrizione | Codici |
|------------------------------------|------|--|---------|
| Module:Ugelli fuochi aperti | | | |
| 303 | | Kit ugelli IT fuochi aperti bruciatore "E" | 2592804 |
| - | | Ugello L 130 | |
| - | | Ugello L 185R | |
| - | | By pass | |
| - | | Ugello 35 | |
| 303 | | Kit ugelli DE fuochi aperti bruciatore "E" | 2592805 |
| - | | Ugello L 115 | |
| - | | Ugello L 200R | |
| - | | Ugello L 185R | |
| - | | By pass | |
| - | | Ugello 35 | |
| 303 | | Kit ugelli H fuochi aperti bruciatore "E" | 2592865 |
| - | | Ugello L 130 | |
| - | | Ugello L 200R | |
| - | | Ugello L 175 | |
| - | | By pass | |
| - | | Ugello 35 | |
| 303 | | Kit ugelli PL fuochi aperti bruciatore "E" | 2592899 |
| - | | Ugello L 120 | |
| - | | Ugello L 185R | |
| - | | Ugello L 225 | |
| - | | Ugello L 275 | |
| - | | By pass | |
| - | | Ugello 35 | |
| - | | Ugello 45 | |

45G=110/45CG, 45TG=110/45TCG, 90G=110/90CG, 90TG=110/90TCG, 135G=110/135CG, 135TG=110/135TCG, 90GG=110/90CGG, 90GE=110/90CGE, 135GG=110/135CGG, 135GGE=110/135CGGE, 135GE=110/135CGE, 135GEE=110/135CGEE, 45G1P=110/45CG1P, 45TG1P=110/45TCG1P, 90G1P=110/90CG1P, 90TG1P=110/90TCG1P, 135G2P=110/135CG2P, 135TG2P=110/135TCG2P, 90GG1P=110/90CGG1P, 90GE1P=110/90CGE1P, 135GG2P=110/135CGG2P, 135GGE2P=110/135CGGE2P, 135GE2P=110/135CGE2P, 135GEE2P=110/135CGEE2P, 45GP=110/45CGP, 45TGP=110/45TCGP, 90GP=110/90CGP, 90TGP=110/90TCGP, 135GP=110/135CGP, 135TGP=110/135TCGP, 90GGP=110/90CGGP, 90GEP=110/90CGEP, 135GGP=110/135CGGP, 135GGEP=110/135CGGEP, 135GEP=110/135CGEP, 135GEEP=110/135CGEEP

A=3/N/PE~400/230V 50Hz, H=3/PE~230V 50Hz, P=1/N/PE~220-240V 50Hz



Parti di ricambio



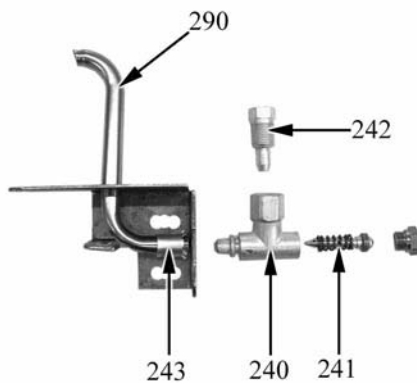
Parti di ricambio

| ID | Tipo | Descrizione | Codici |
|------------------------------------|------|---|----------|
| Module:Ugelli fuochi aperti | | | |
| 303 | | Kit ugelli IT fuochi aperti bruciatore "E+" | 2592893 |
| - | | Ugello L 155 | |
| - | | Ugello L 235 | |
| - | | Ugello L 255 | |
| - | | By pass | |
| - | | Ugello 35 | |
| 303 | | Kit ugelli DE fuochi aperti bruciatore "E+" | 2592894 |
| - | | Ugello L 140 | |
| - | | Ugello L 235 | |
| - | | Ugello L 265 | |
| - | | By pass | |
| - | | Ugello 35 | |
| 303 | | Kit ugelli H fuochi aperti bruciatore "E+" | 2592895 |
| - | | Ugello L 155 | |
| - | | Ugello L 225 | |
| - | | Ugello L 265 | |
| - | | By pass | |
| - | | Ugello 35 | |
| 303 | | Kit ugelli PL fuochi aperti bruciatore "E+" | 2592896 |
| - | | Ugello L 145 | |
| - | | Ugello L 235 | |
| - | | Ugello L 265 | |
| - | | Ugello L 350 | |
| - | | By pass | |
| - | | Ugello 35 | |
| - | | Ugello 45 | |
| 304 | | Bicono | 6A011470 |
| 305 | | Dado | 6A011475 |

45G=110/45CG, 45TG=110/45TCG, 90G=110/90CG, 90TG=110/90TCG, 135G=110/135CG, 135TG=110/135TCG, 90GG=110/90CGG, 90GE=110/90CGE, 135GG=110/135CGG, 135GGE=110/135CGGE, 135GE=110/135CGE, 135GEE=110/135CGEE, 45G1P=110/45CG1P, 45TG1P=110/45TCG1P, 90G1P=110/90CG1P, 90TG1P=110/90TCG1P, 135G2P=110/135CG2P, 135TG2P=110/135TCG2P, 90GG1P=110/90CGG1P, 90GE1P=110/90CGE1P, 135GG2P=110/135CGG2P, 135GGE2P=110/135CGGE2P, 135GE2P=110/135CGE2P, 135GEE2P=110/135CGEE2P, 45GP=110/45CGP, 45TGP=110/45TCGP, 90GP=110/90CGP, 90TGP=110/90TCGP, 135GP=110/135CGP, 135TGP=110/135TCGP, 90GGP=110/90CGGP, 90GEP=110/90CGEP, 135GGP=110/135CGGP, 135GGEP=110/135CGGEP, 135GEP=110/135CGEP, 135GEEP=110/135CGEEP

A=3/N/PE~400/230V 50Hz, H=3/PE~230V 50Hz, P=1/N/PE~220-240V 50Hz





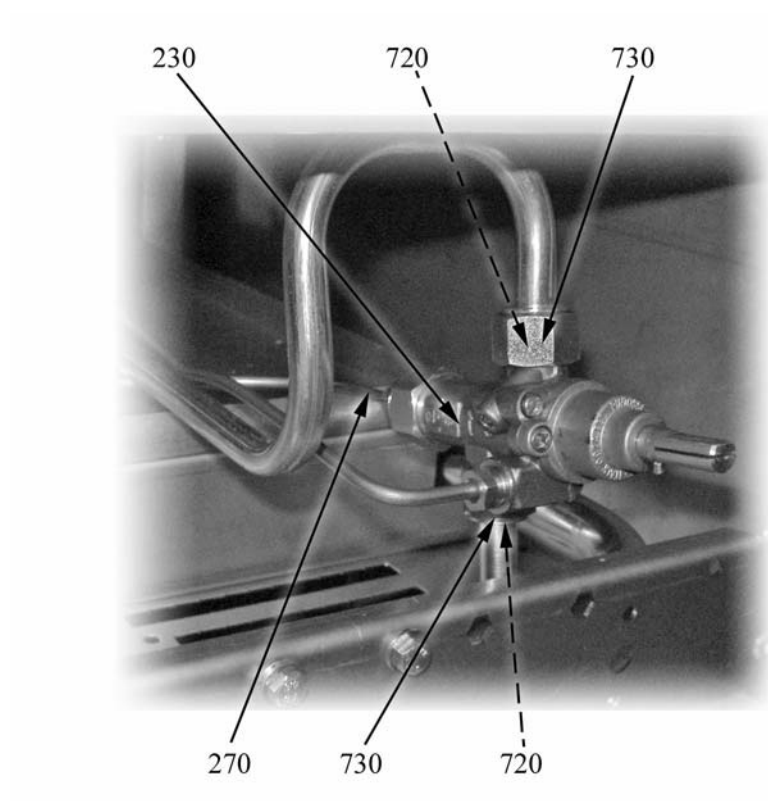
Parti di ricambio

| ID | Tipo | Descrizione | Codici |
|-------------------------------------|------|-------------------|----------|
| Module: Pilota fuochi aperti | | | |
| 240 | | Pilota | 2510359 |
| 241 | | Ugello 45 | 6A013116 |
| 241 | | Ugello 20 | 6A013101 |
| 241 | | Ugello 35 | 6A013103 |
| 242 | | Raccordo bicono | 6A011608 |
| 243 | | Regolatore d'aria | 6A013104 |
| 290 | | Tubo portafiamma | 2518999 |

45G=110/45CG, 45TG=110/45TCG, 90G=110/90CG, 90TG=110/90TCG, 135G=110/135CG, 135TG=110/135TCG, 90GG=110/90CGG, 90GE=110/90CGE, 135GG=110/135CGG, 135GGE=110/135CGGE, 135GE=110/135CGE, 135GEE=110/135CGEE, 45G1P=110/45CG1P, 45TG1P=110/45TCG1P, 90G1P=110/90CG1P, 90TG1P=110/90TCG1P, 135G2P=110/135CG2P, 135TG2P=110/135TCG2P, 90GG1P=110/90CGG1P, 90GE1P=110/90CGE1P, 135GG2P=110/135CGG2P, 135GGE2P=110/135CGGE2P, 135GE2P=110/135CGE2P, 135GEE2P=110/135CGEE2P, 45GP=110/45CGP, 45TGP=110/45TCGP, 90GP=110/90CGP, 90TGP=110/90TCGP, 135GP=110/135CGP, 135TGP=110/135TCGP, 90GGP=110/90CGGP, 90GEP=110/90CGEP, 135GGP=110/135CGGP, 135GGEP=110/135CGGEP, 135GEP=110/135CGEP, 135GEEP=110/135CGEEP

A=3/N/PE~400/230V 50Hz, H=3/PE~230V 50Hz, P=1/N/PE~220-240V 50Hz





Parti di ricambio

| ID | Tipo | Descrizione | Codici |
|-------------------------|------|-------------|----------|
| Module:Rubinetto | | | |
| 230 | | Rubinetto | 6A011490 |
| 270 | | Termocoppia | 6A011905 |
| 720 | | Bicono | 6A011480 |
| 730 | | Dado | 6A011485 |

45G=110/45CG, 45TG=110/45TCG, 90G=110/90CG, 90TG=110/90TCG, 135G=110/135CG, 135TG=110/135TCG, 90GG=110/90CGG, 90GE=110/90CGE, 135GG=110/135CGG, 135GGE=110/135CGGE, 135GE=110/135CGE, 135GEE=110/135CGEE, 45G1P=110/45CG1P, 45TG1P=110/45TCG1P, 90G1P=110/90CG1P, 90TG1P=110/90TCG1P, 135G2P=110/135CG2P, 135TG2P=110/135TCG2P, 90GG1P=110/90CGG1P, 90GE1P=110/90CGE1P, 135GG2P=110/135CGG2P, 135GGE2P=110/135CGGE2P, 135GE2P=110/135CGE2P, 135GEE2P=110/135CGEE2P, 45GP=110/45CGP, 45TGP=110/45TCGP, 90GP=110/90CGP, 90TGP=110/90TCGP, 135GP=110/135CGP, 135TGP=110/135TCGP, 90GGP=110/90CGGP, 90GEP=110/90CGEP, 135GGP=110/135CGGP, 135GGEP=110/135CGGEP, 135GEP=110/135CGEP, 135GEEP=110/135CGEEP

A=3/N/PE~400/230V 50Hz, H=3/PE~230V 50Hz, P=1/N/PE~220-240V 50Hz

