



## CUCINE A GAS

### Serie 1100

TIPO: 110/45CG, 110/45TCG, 110/90CG, 110/90TCG, 110/135CG, 110/135TCG, 110/90CGG, 110/90CGE, 110/135CGG, 110/135CGGE, 110/135CGE, 110/135CGEE, 110/45CG1P, 110/45TCG1P, 110/90CG1P, 110/90TCG1P, 110/135CG2P, 110/135TCG2P, 110/90CGG1P, 110/90CGE1P, 110/135CGG2P, 110/135CGGE2P, 110/135CGE2P, 110/135CGEE2P, 110/45CGP, 110/45TCGP, 110/90CGP, 110/90TCGP, 110/135CGP, 110/135TCGP, 110/90CGGP, 110/90CGEP, 110/135CGGP, 110/135CGGEP, 110/135CGEP, 110/135CGEEP

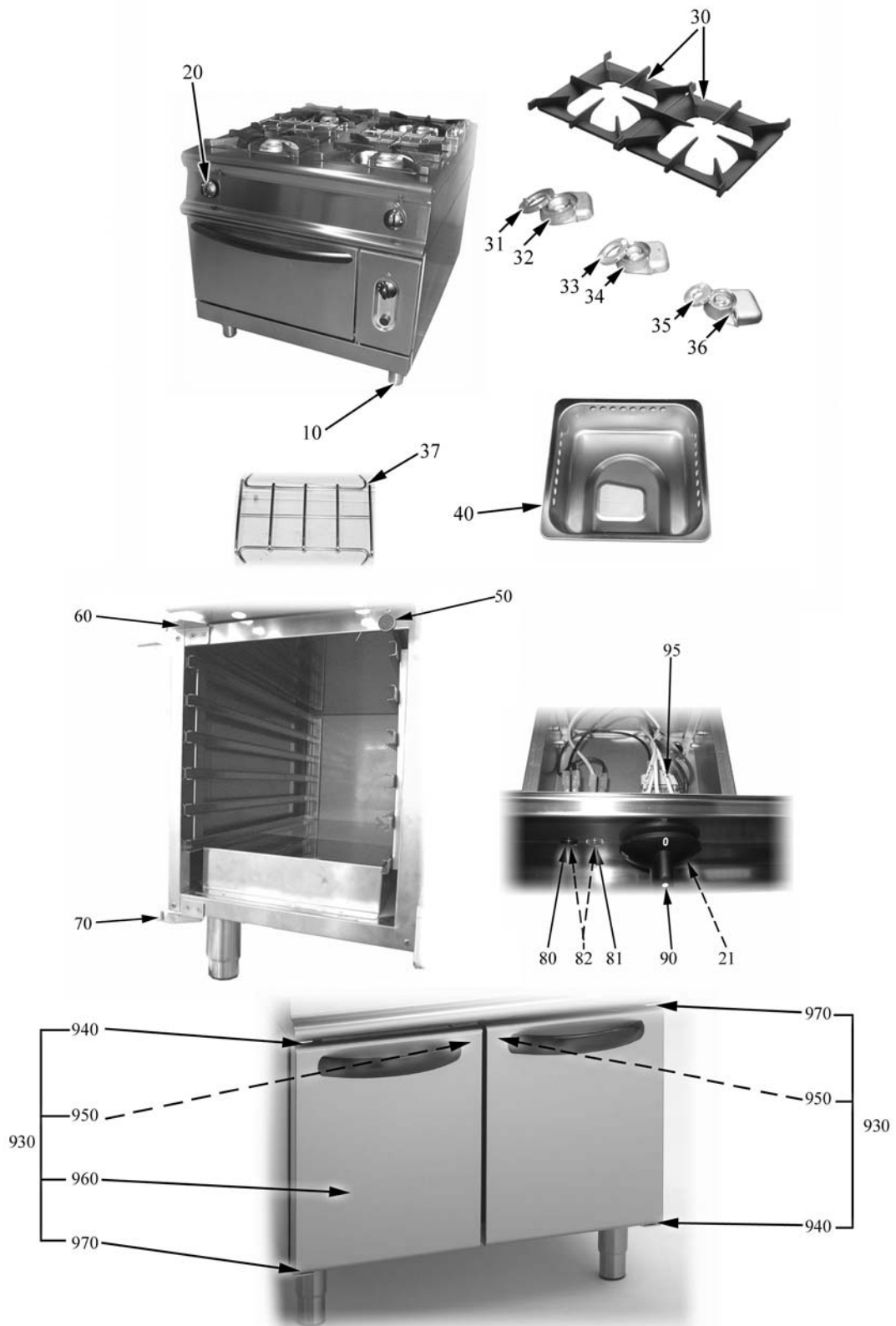
---

## Parti di ricambio

---



Parti di ricambio



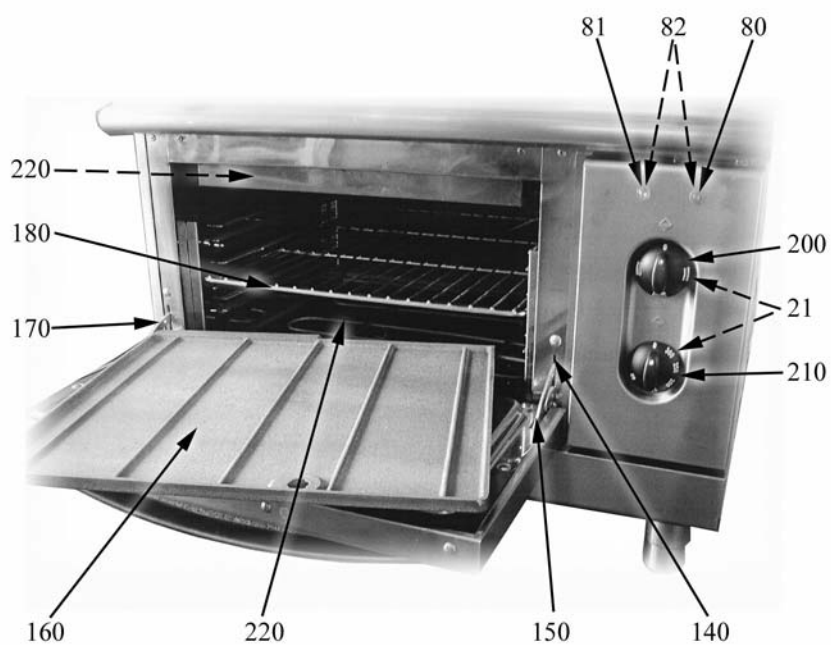
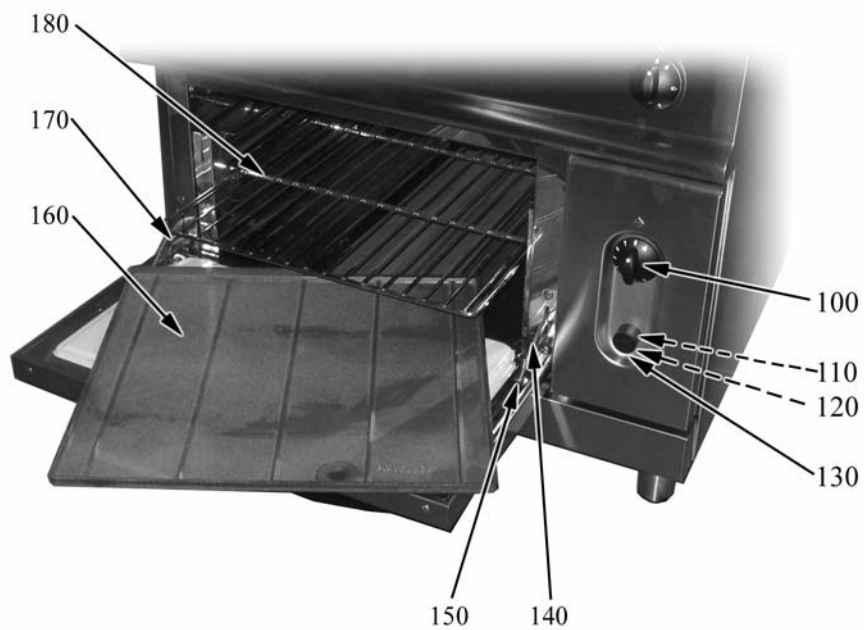
## Parti di ricambio

| ID   | Tipo  | Descrizione   | Codici    |
|--|---|---|-----------|
| <b>Module: Parti esterne fuochi, armadio caldo e kit porte</b> |   |   |           |
| 10   | 45G,90G,135G,90GG,90GE,135GG,135GGE,135GE,135GEE,45G1P,90G1P,135G2P,90GG1P,90GE1P,135GG2P,135GGE2P,135GE2P,135GEE2P,45GP,90GP,135GP,90GGP,90GEP,135GGP,135GGEP,135GEP,135GEEP | Piedino   | 826490142 |
| 20   |   | Manopola cucina gas nera                            | 2599300   |
| 21   | 135GGE,135GEE,135GGE2P,135GEE2P,135GGEP,135GEEP   | Guarnizione manopola                                | 2519490   |
| 30   |   | Griglia smaltata                                    | 6A003900  |
| 31   | 45G,90G,135G,90GG,90GE,135GG,135GGE,135GE,135GEE,45G1P,90G1P,135G2P,90GG1P,90GE1P,135GG2P,135GGE2P,135GE2P,135GEE2P,45TG,90TG,135TG,45TG1P,90TG1P,135TG2P                     | Bruciatore (spartifiamma "C")                       | 2510352   |
| 32   | 45G,90G,135G,90GG,90GE,135GG,135GGE,135GE,135GEE,45G1P,90G1P,135G2P,90GG1P,90GE1P,135GG2P,135GGE2P,135GE2P,135GEE2P,45TG,90TG,135TG,45TG1P,90TG1P,135TG2P                     | Bruciatore (bicchiere "C")                          | 2510351   |
| 33   | 90G,135G,90GG,90GE,135GG,135GGE,135GE,135GEE,90TG,135TG,90G1P,135G2P,90GG1P,90GE1P,135GG2P,135GGE2P,135GE2P,135GEE2P,90TG1P,135TG2P   | Bruciatore (spartifiamma "D")                       | 2510355   |
| 34   | 90G,135G,90GG,90GE,135GG,135GGE,135GE,135GEE,90TG,135TG,90G1P,135G2P,90GG1P,90GE1P,135GG2P,135GGE2P,135GE2P,135GEE2P,90TG1P,135TG2P   | Bruciatore (bicchiere "D")                          | 2510354   |
| 35   |   | Bruciatore (spartifiamma "E") 7-10 kW               | 2510341   |
| 36   |   | Bruciatore (bicchiere "E") 7-10 kW                  | 2510357   |
| 37   |   | Griglia inox  | 2517030   |
| 40   |   | Bacinella   | 2571050   |
| 50   | 135GG,135GGE,135GE,135GEE,135GG2P,135GGE2P,135GE2P,135GEE2P,135GGP,135GGEP,135GEP,135GEEP   | Magnete   | 826900011 |
| 60   | 135GG,135GGE,135GE,135GEE,135GG2P,135GGE2P,135GE2P,135GEE2P,135GGP,135GGEP,135GEP,135GEEP   | Cerniera superiore sx inferiore dx porta            | 2547870   |
| 70   | 135GG,135GGE,135GE,135GEE,135GG2P,135GGE2P,135GE2P,135GEE2P,135GGP,135GGEP,135GEP,135GEEP   | Cerniera superiore dx inferiore sx porta            | 2547860   |
| 80   | 135GGE,135GEE,135GGE2P,135GEE2P,135GGEP,135GEEP   | Gemma verde   | 6A038507  |
| 81   | 135GGE,135GEE,135GGE2P,135GEE2P,135GGEP,135GEEP   | Gemma bianca  | 6A039207  |
| 82   | 135GGE,135GEE,135GGE2P,135GEE2P,135GGEP,135GEEP   | Segnalatori luminosi                                | 6A038506  |
| 90   | 135GGE,135GEE,135GGE2P,135GEE2P,135GGEP,135GEEP   | Manopola nera per armadio caldo e bagno maria elett | 2599310   |
| 95   | 135GGE,135GEE,135GGE2P,135GEE2P,135GGEP,135GEEP   | Interruttore termostato                             | 826630230 |
| 930  | 45G,90G,135G,45G1P,90G1P,135G2P,45GP,90GP,135GP   | Kit porta   | 2593510   |
| 940  | 45G,90G,135G,45G1P,90G1P,135G2P,45GP,90GP,135GP   | Cerniera inferiore destra superiore sinistra porta  | 2547870   |
| 950  | 45G,90G,135G,45G1P,90G1P,135G2P,45GP,90GP,135GP   | Magnete   | 826900011 |
| 960  | 45G,90G,135G,45G1P,90G1P,135G2P,45GP,90GP,135GP   | Porta   | 2593160   |
| 970  | 45G,90G,135G,45G1P,90G1P,135G2P,45GP,90GP,135GP   | Cerniera inferiore sinistra superiore destra porta  | 2547860   |

45G=110/45CG, 45TG=110/45TCG, 90G=110/90CG, 90TG=110/90TCG, 135G=110/135CG, 135TG=110/135TCG, 90GG=110/90CGG, 90GE=110/90CGE, 135GG=110/135CGG, 135GGE=110/135CGGE, 135GE=110/135CGE, 135GEE=110/135CGEE, 45G1P=110/45CG1P, 45TG1P=110/45TCG1P, 90G1P=110/90CG1P, 90TG1P=110/90TCG1P, 135G2P=110/135CG2P, 135TG2P=110/135TCG2P, 90GG1P=110/90CGG1P, 90GE1P=110/90CGE1P, 135GG2P=110/135CGG2P, 135GGE2P=110/135CGGE2P, 135GE2P=110/135CGE2P, 135GEE2P=110/135CGEE2P, 45GP=110/45CGP, 45TGP=110/45TCGP, 90GP=110/90CGP, 90TGP=110/90TCGP, 135GP=110/135CGP, 135TGP=110/135TCGP, 90GGP=110/90CGGP, 90GEP=110/90CGEP, 135GGP=110/135CGGP, 135GGEP=110/135CGGEP, 135GEP=110/135CGEP, 135GEEP=110/135CGEEP

A=3/N/PE~400/230V 50Hz, H=3/PE~230V 50Hz, P=1/N/PE~220-240V 50Hz





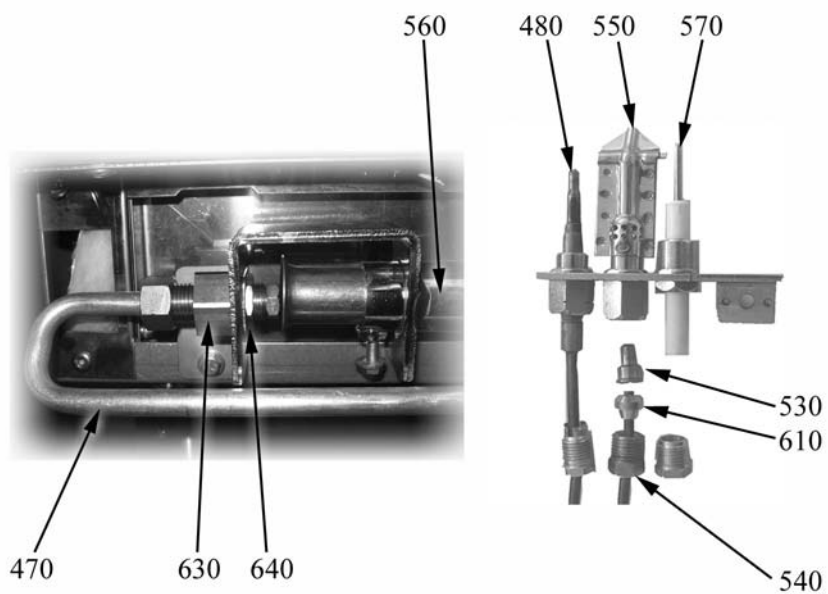
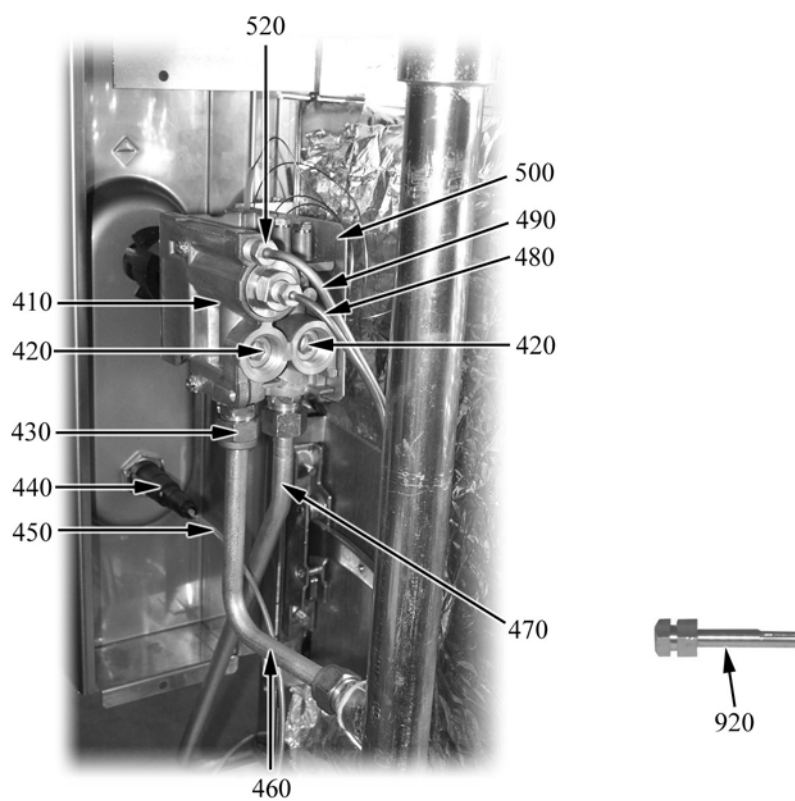
## Parti di ricambio

| ID  | Tipo   | Descrizione                               | Codici    |
|---|--|---|-----------|
| <b>Module: Parti esterne forno gas ed elettrico</b> |  |   |           |
| 100   | 90GG,135GG,135GGE,90GG1P,135GG2P,135GGE2P,90GGP,135GGP,135GGEP   | Manopola nera per forno gas               | 2599202   |
| 110   | 90GG,135GG,135GGE,90GG1P,135GG2P,135GGE2P,90GGP,135GGP,135GGEP   | Accensione piezoelettrica                 | 6A041105  |
| 120   | 90GG,135GG,135GGE,90GG1P,135GG2P,135GGE2P,90GGP,135GGP,135GGEP   | Rondella                                  | 822160540 |
| 130   | 90GG,135GG,135GGE,90GG1P,135GG2P,135GGE2P,90GGP,135GGP,135GGEP   | Cappuccio                                 | 826630420 |
| 140   | 90GG,90GE,135GG,135GGE,135GE,135GEE,90GG1P,90GE1P,135GG2P,135GGE2P,135GE2P,135GEE2P,90GGP,90GEP,135GGP,135GGEP,135GEEP,135GEEP | Portarullini per cerniera                 | 6A035930  |
| 150   | 90GG,90GE,135GG,135GGE,135GE,135GEE,90GG1P,90GE1P,135GG2P,135GGE2P,135GE2P,135GEE2P,90GGP,90GEP,135GGP,135GGEP,135GEEP,135GEEP | Cerniera dx                               | 6A035910  |
| 160   | 90GG,90GE,135GG,135GGE,135GE,135GEE,90GG1P,90GE1P,135GG2P,135GGE2P,135GE2P,135GEE2P,90GGP,90GEP,135GGP,135GGEP,135GEEP,135GEEP | Suola forno                               | 6A001010  |
| 170   | 90GG,90GE,135GG,135GGE,135GE,135GEE,90GG1P,90GE1P,135GG2P,135GGE2P,135GE2P,135GEE2P,90GGP,90GEP,135GGP,135GGEP,135GEEP,135GEEP | Cerniera sx                               | 6A035920  |
| 180   | 90GG,90GE,135GG,135GGE,135GE,135GEE,90GG1P,90GE1P,135GG2P,135GGE2P,135GE2P,135GEE2P,90GGP,90GEP,135GGP,135GGEP,135GEEP,135GEEP | Griglia                                   | 826330120 |
| 21  | 90GE,135GE,135GEE,90GE1P,135GE2P,135GEE2P,90GEP,135GEP,135GEEP   | Guarnizione manopola                      | 2519490   |
| 82  | 90GE,135GE,135GEE,90GE1P,135GE2P,135GEE2P,90GEP,135GEP,135GEEP   | Segnalatori luminosi                      | 6A038506  |
| 81  | 90GE,135GE,135GEE,90GE1P,135GE2P,135GEE2P,90GEP,135GEP,135GEEP   | Gemma bianca                              | 6A039207  |
| 80  | 90GE,135GE,135GEE,90GE1P,135GE2P,135GEE2P,90GEP,135GEP,135GEEP   | Gemma verde                               | 6A038507  |
| 200   | 90GE,135GE,135GEE,90GE1P,135GE2P,135GEE2P,90GEP,135GEP,135GEEP   | Manopola commutatore forno elettrico nera | 2599207   |
| 210   | 90GE,135GE,135GEE,90GE1P,135GE2P,135GEE2P,90GEP,135GEP,135GEEP   | Manopola forno elettrico nera             | 2599208   |
| 220   | 90GE,135GE,135GEE,90GE1P,135GE2P,135GEE2P,90GEP,135GEP,135GEEP   | Resistenza 1500 W                         | 826620041 |

45G=110/45CG, 45TG=110/45TCG, 90G=110/90CG, 90TG=110/90TCG, 135G=110/135CG, 135TG=110/135TCG, 90GG=110/90CGG, 90GE=110/90CGE, 135GG=110/135CGG, 135GGE=110/135CGGE, 135GE=110/135CGE, 135GEE=110/135CGEE, 45G1P=110/45CG1P, 45TG1P=110/45TCG1P, 90G1P=110/90CG1P, 90TG1P=110/90TCG1P, 135G2P=110/135CG2P, 135TG2P=110/135TCG2P, 90GG1P=110/90CGG1P, 90GE1P=110/90CGE1P, 135GG2P=110/135CGG2P, 135GGE2P=110/135CGGE2P, 135GE2P=110/135CGE2P, 135GEE2P=110/135CGEE2P, 45GP=110/45CGP, 45TGP=110/45TCGP, 90GP=110/90CGP, 90TGP=110/90TCGP, 135GP=110/135CGP, 135TGP=110/135TCGP, 90GGP=110/90CGGP, 90GEP=110/90CGEP, 135GGP=110/135CGGP, 135GGEP=110/135CGGEP, 135GEP=110/135CGEP, 135GEEP=110/135CGEEP

A=3/N/PE~400/230V 50Hz, H=3/PE~230V 50Hz, P=1/N/PE~220-240V 50Hz





## Parti di ricambio

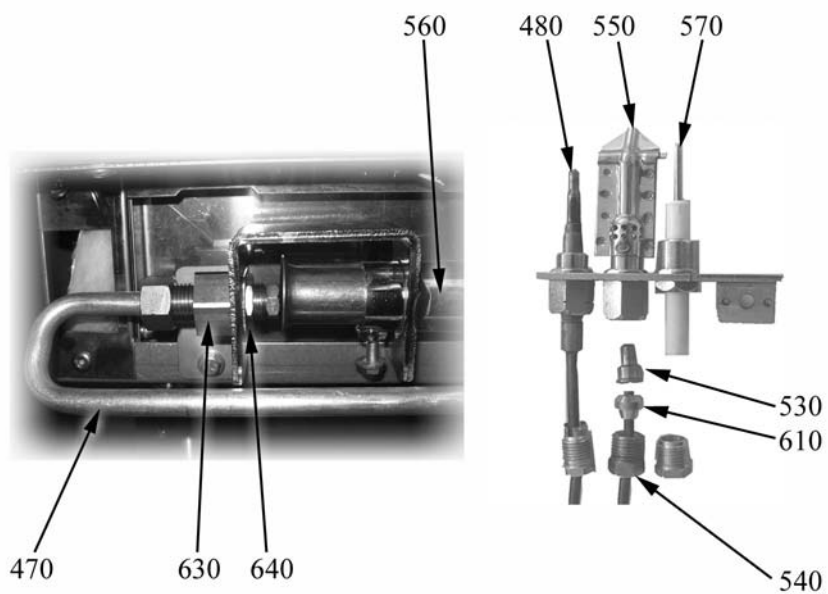
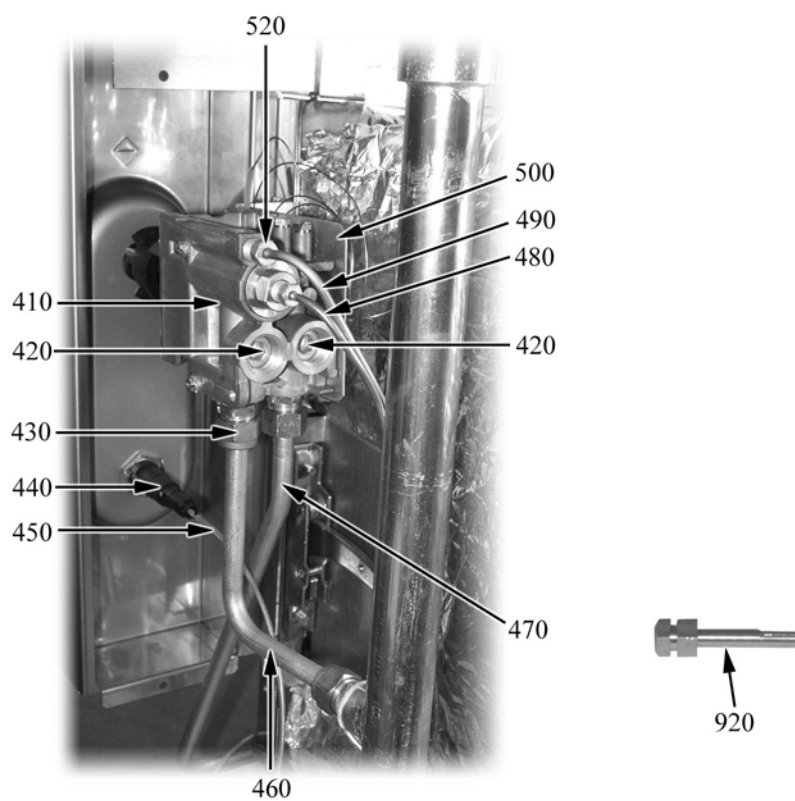
| ID   | Tipo   | Descrizione               | Codici          |
|--|--|---------------------------|-----------------|
| <b>Module: Componenti forno a gas (valvola,bruciatore)</b> |  |                           |                 |
| 410  | 90GG,135GG,135GGE,90GG1P,135GG2P,135GGE2P,90GGP,135GGP,135GGEP | Valvola                   | 8219950         |
| 420  | 90GG,135GG,135GGE,90GG1P,135GG2P,135GGE2P,90GGP,135GGP,135GGEP | Tappo                     | 8219951         |
| 430  | 90GG,135GG,135GGE,90GG1P,135GG2P,135GGE2P,90GGP,135GGP,135GGEP | Raccordo                  | 822450170       |
| 440  | 90GG,135GG,135GGE,90GG1P,135GG2P,135GGE2P,90GGP,135GGP,135GGEP | Accensione piezoelettrica | 6A041105        |
| 450  | 90GG,135GG,135GGE,90GG1P,135GG2P,135GGE2P,90GGP,135GGP,135GGEP | Cavo d'accensione         | 2510698         |
| 460  | 90GG,135GG,135GGE,90GG1P,135GG2P,135GGE2P,90GGP,135GGP,135GGEP | Conduttura                | 2514615         |
| 470  | 90GG,135GG,135GGE,90GG1P,135GG2P,135GGE2P,90GGP,135GGP,135GGEP | Conduttura                | 418235604<br>61 |
| 480  | 90GG,135GG,135GGE,90GG1P,135GG2P,135GGE2P,90GGP,135GGP,135GGEP | Termocoppia               | 826920080       |
| 490  | 90GG,135GG,135GGE,90GG1P,135GG2P,135GGE2P,90GGP,135GGP,135GGEP | Conduttura                | 2516030         |
| 500  | 90GG,135GG,135GGE,90GG1P,135GG2P,135GGE2P,90GGP,135GGP,135GGEP | Squadretta                | 821120710       |

G=GAS

45G=110/45CG, 45TG=110/45TCG, 90G=110/90CG, 90TG=110/90TCG, 135G=110/135CG, 135TG=110/135TCG, 90GG=110/90CGG, 90GE=110/90CGE, 135GG=110/135CGG, 135GGE=110/135CGGE, 135GE=110/135CGE, 135GEE=110/135CGEE, 45G1P=110/45CG1P, 45TG1P=110/45TCG1P, 90G1P=110/90CG1P, 90TG1P=110/90TCG1P, 135G2P=110/135CG2P, 135TG2P=110/135TCG2P, 90GG1P=110/90CGG1P, 90GE1P=110/90CGE1P, 135GG2P=110/135CGG2P, 135GGE2P=110/135CGGE2P, 135GE2P=110/135CGE2P, 135GEE2P=110/135CGEE2P, 45GP=110/45CGP, 45TGP=110/45TCGP, 90GP=110/90CGP, 90TGP=110/90TCGP, 135GP=110/135CGP, 135TGP=110/135TCGP, 90GGP=110/90CGGP, 90GEP=110/90CGEP, 135GGP=110/135CGGP, 135GGEP=110/135CGGEP, 135GEP=110/135CGEP, 135GEEP=110/135CGEEP

A=3/N/PE~400/230V 50Hz, H=3/PE~230V 50Hz, P=1/N/PE~220-240V 50Hz







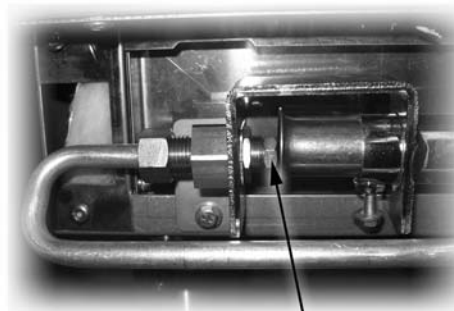
## Parti di ricambio

| ID   | Tipo   | Descrizione      | Codici    |
|--|--|------------------|-----------|
| <b>Module: Componenti forno a gas (valvola,bruciatore)</b> |  |                  |           |
| 520  | 90GG,135GG,135GGE,90GG1P,135GG2P,135GGE2P,90GGP,135GGP,135GGEP | Raccordo bicono  | 6A011608  |
| 530  | 90GG,135GG,135GGE,90GG1P,135GG2P,135GGE2P,90GGP,135GGP,135GGEP | Ugello 16.2      | 6A013240  |
| 530  | 90GG,135GG,135GGE,90GG1P,135GG2P,135GGE2P,90GGP,135GGP,135GGEP | Ugello 27.2      | 6A013230  |
| 530  | 90GG,135GG,135GGE,90GG1P,135GG2P,135GGE2P,90GGP,135GGP,135GGEP | Ugello 38R       | 2510332   |
| 530  | 90GG,135GG,135GGE,90GG1P,135GG2P,135GGE2P,90GGP,135GGP,135GGEP | Ugello 32.2      | 2510334   |
| 540  | 90GG,135GG,135GGE,90GG1P,135GG2P,135GGE2P,90GGP,135GGP,135GGEP | Dado             | 6A017000  |
| 550  | 90GG,135GG,135GGE,90GG1P,135GG2P,135GGE2P,90GGP,135GGP,135GGEP | Pilota           | 6A013220  |
| 560  | 90GG,135GG,135GGE,90GG1P,135GG2P,135GGE2P,90GGP,135GGP,135GGEP | Bruciatore       | 826390081 |
| 570  | 90GG,135GG,135GGE,90GG1P,135GG2P,135GGE2P,90GGP,135GGP,135GGEP | Candela          | 6A013302  |
| 610  | 90GG,135GG,135GGE,90GG1P,135GG2P,135GGE2P,90GGP,135GGP,135GGEP | Bicono           | 6A016900  |
| 630  | 90GG,135GG,135GGE,90GG1P,135GG2P,135GGE2P,90GGP,135GGP,135GGEP | Portaugello      | 822450440 |
| 640  | 90GG,135GG,135GGE,90GG1P,135GG2P,135GGE2P,90GGP,135GGP,135GGEP | Dado M15x1       | 822180010 |
| 920  | 90GG,135GG,135GGE,90GG1P,135GG2P,135GGE2P,90GGP,135GGP,135GGEP | Attacco manopola | 2518650   |

45G=110/45CG, 45TG=110/45TCG, 90G=110/90CG, 90TG=110/90TCG, 135G=110/135CG, 135TG=110/135TCG, 90GG=110/90CGG, 90GE=110/90CGE, 135GG=110/135CGG, 135GGE=110/135CGGE, 135GE=110/135CGE, 135GEE=110/135CGEE, 45G1P=110/45CG1P, 45TG1P=110/45TCG1P, 90G1P=110/90CG1P, 90TG1P=110/90TCG1P, 135G2P=110/135CG2P, 135TG2P=110/135TCG2P, 90GG1P=110/90CGG1P, 90GE1P=110/90CGE1P, 135GG2P=110/135CGG2P, 135GGE2P=110/135CGGE2P, 135GE2P=110/135CGE2P, 135GEE2P=110/135CGEE2P, 45GP=110/45CGP, 45TGP=110/45TCGP, 90GP=110/90CGP, 90TGP=110/90TCGP, 135GP=110/135CGP, 135TGP=110/135TCGP, 90GGP=110/90CGGP, 90GEP=110/90CGEP, 135GGP=110/135CGGP, 135GGEP=110/135CGGEP, 135GEP=110/135CGEP, 135GEEP=110/135CGEEP

A=3/N/PE~400/230V 50Hz, H=3/PE~230V 50Hz, P=1/N/PE~220-240V 50Hz





710

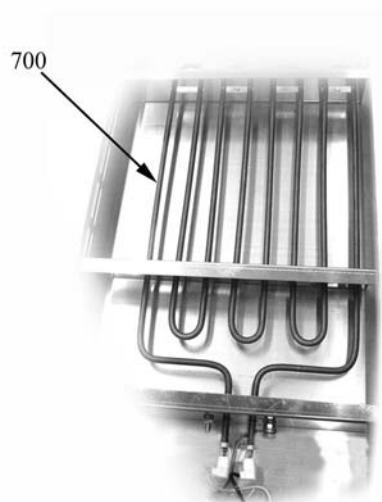
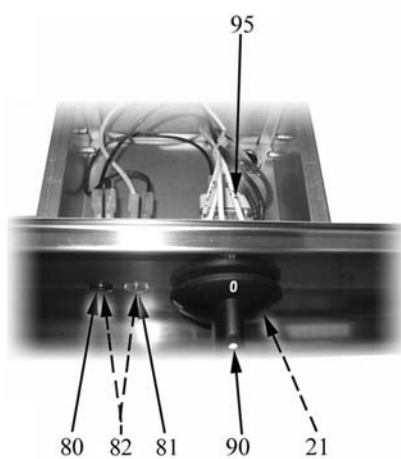
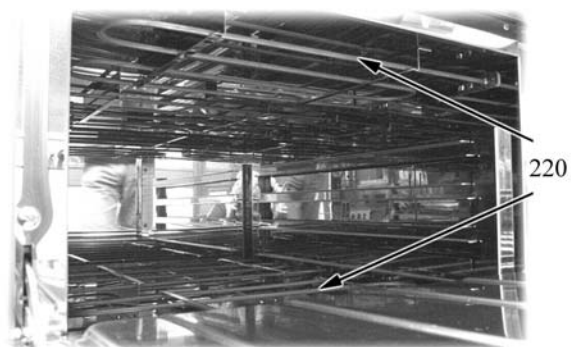
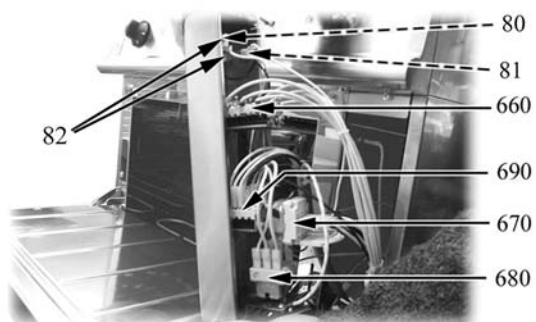
## Parti di ricambio

| ID                                | Tipo   | Descrizione         | Codici  |
|-----------------------------------|--|---------------------|---------|
| <b>Module: Ugelli forno a gas</b> |  |                     |         |
| 710                               | 90GG,135GG,135GGE,90GG1P,135GG2P,135GGE2P,90GGP,135GGP,135GGEP | Kit ugelli IT forno | 2591980 |
| -                                 | 90GG,135GG,135GGE,90GG1P,135GG2P,135GGE2P,90GGP,135GGP,135GGEP | Ugello BA 255       |         |
| -                                 | 90GG,135GG,135GGE,90GG1P,135GG2P,135GGE2P,90GGP,135GGP,135GGEP | Ugello 270          |         |
| -                                 | 90GG,135GG,135GGE,90GG1P,135GG2P,135GGE2P,90GGP,135GGP,135GGEP | Ugello 170          |         |
| -                                 | 90GG,135GG,135GGE,90GG1P,135GG2P,135GGE2P,90GGP,135GGP,135GGEP | Ugello 27.2         |         |
| -                                 | 90GG,135GG,135GGE,90GG1P,135GG2P,135GGE2P,90GGP,135GGP,135GGEP | Ugello 16.2         |         |
| 710                               | 90GG,135GG,135GGE,90GG1P,135GG2P,135GGE2P,90GGP,135GGP,135GGEP | Kit ugelli DE forno | 2591981 |
| -                                 | 90GG,135GG,135GGE,90GG1P,135GG2P,135GGE2P,90GGP,135GGP,135GGEP | Ugello BA 255       |         |
| -                                 | 90GG,135GG,135GGE,90GG1P,135GG2P,135GGE2P,90GGP,135GGP,135GGEP | Ugello BA 145       |         |
| -                                 | 90GG,135GG,135GGE,90GG1P,135GG2P,135GGE2P,90GGP,135GGP,135GGEP | Ugello 295          |         |
| -                                 | 90GG,135GG,135GGE,90GG1P,135GG2P,135GGE2P,90GGP,135GGP,135GGEP | Ugello 27.2         |         |
| -                                 | 90GG,135GG,135GGE,90GG1P,135GG2P,135GGE2P,90GGP,135GGP,135GGEP | Ugello 16.2         |         |
| 710                               | 90GG,135GG,135GGE,90GG1P,135GG2P,135GGE2P,90GGP,135GGP,135GGEP | Kit ugelli H forno  | 2591982 |
| -                                 | 90GG,135GG,135GGE,90GG1P,135GG2P,135GGE2P,90GGP,135GGP,135GGEP | Ugello 170          |         |
| -                                 | 90GG,135GG,135GGE,90GG1P,135GG2P,135GGE2P,90GGP,135GGP,135GGEP | Ugello BA 240       |         |
| -                                 | 90GG,135GG,135GGE,90GG1P,135GG2P,135GGE2P,90GGP,135GGP,135GGEP | Ugello BA 285       |         |
| -                                 | 90GG,135GG,135GGE,90GG1P,135GG2P,135GGE2P,90GGP,135GGP,135GGEP | Ugello 27.2         |         |
| -                                 | 90GG,135GG,135GGE,90GG1P,135GG2P,135GGE2P,90GGP,135GGP,135GGEP | Ugello 16.2         |         |
| -                                 | 90GG,135GG,135GGE,90GG1P,135GG2P,135GGE2P,90GGP,135GGP,135GGEP | Ugello 38           |         |
| 710                               | 90GG,135GG,135GGE,90GG1P,135GG2P,135GGE2P,90GGP,135GGP,135GGEP | Kit ugelli PL forno | 2591983 |
| -                                 | 90GG,135GG,135GGE,90GG1P,135GG2P,135GGE2P,90GGP,135GGP,135GGEP | Ugello BA 155       |         |
| -                                 | 90GG,135GG,135GGE,90GG1P,135GG2P,135GGE2P,90GGP,135GGP,135GGEP | Ugello BA 255       |         |
| -                                 | 90GG,135GG,135GGE,90GG1P,135GG2P,135GGE2P,90GGP,135GGP,135GGEP | Ugello 310          |         |
| -                                 | 90GG,135GG,135GGE,90GG1P,135GG2P,135GGE2P,90GGP,135GGP,135GGEP | Ugello 27.2         |         |
| -                                 | 90GG,135GG,135GGE,90GG1P,135GG2P,135GGE2P,90GGP,135GGP,135GGEP | Ugello 16.2         |         |
| -                                 | 90GG,135GG,135GGE,90GG1P,135GG2P,135GGE2P,90GGP,135GGP,135GGEP | Ugello 32.2         |         |

45G=110/45CG, 45TG=110/45TCG, 90G=110/90CG, 90TG=110/90TCG, 135G=110/135CG, 135TG=110/135TCG, 90GG=110/90CGG, 90GE=110/90CGE, 135GG=110/135CGG, 135GGE=110/135CGGE, 135GE=110/135CGE, 135GEE=110/135CGEE, 45G1P=110/45CG1P, 45TG1P=110/45TCG1P, 90G1P=110/90CG1P, 90TG1P=110/90TCG1P, 135G2P=110/135CG2P, 135TG2P=110/135TCG2P, 90GG1P=110/90CGG1P, 90GE1P=110/90CGE1P, 135GG2P=110/135CGG2P, 135GGE2P=110/135CGGE2P, 135GE2P=110/135CGE2P, 135GEE2P=110/135CGEE2P, 45GP=110/45CGP, 45TGP=110/45TCGP, 90GP=110/90CGP, 90TGP=110/90TCGP, 135GP=110/135CGP, 135TGP=110/135TCGP, 90GGP=110/90CGGP, 90GEP=110/90CGEP, 135GGP=110/135CGGP, 135GGEP=110/135CGGEP, 135GEP=110/135CGEP, 135GEEP=110/135CGEEP

A=3/N/PE~400/230V 50Hz, H=3/PE~230V 50Hz, P=1/N/PE~220-240V 50Hz





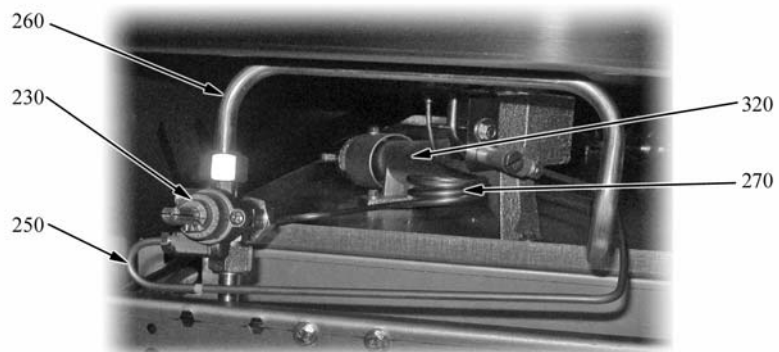
## Parti di ricambio

| ID  | Tipo   | Descrizione  | Codici    |
|---|--|--|-----------|
| <b>Module: Componenti forno elettrico e armadio caldo</b> |  |  |           |
| 220   | 90GE,135GE,135GEE,90GE1P,135GE2P,135GEE2P,90GEP,135GEP,135GEEP                         | Resistenza 1500 W                                  | 826620041 |
| 660   | 90GE,135GE,135GEE,90GE1P,135GE2P,135GEE2P,90GEP,135GEP,135GEEP                         | Commutatore  | 6A046750  |
| 670   | 90GE,135GE,135GEE,90GE1P,135GE2P,135GEE2P,90GEP,135GEP,135GEEP                         | Termostato   | 6A044601  |
| 680   | 90GE,135GE,135GEE,90GE1P,135GE2P,135GEE2P,90GEP,135GEP,135GEEP                         | Termostato sicurezza                               | 826630130 |
| 690   | 90GE,135GE,135GEE,90GE1P,135GE2P,135GEE2P,90GEP,135GEP,135GEEP                         | Commutatore  | 6A046001  |
| 740   | 90GE,135GE,135GEE,90GE1P,135GE2P,135GEE2P,90GEP,135GEP,135GEEP                         | Contattore   | 6A047031  |
| 21  | 90GE,135GGE,135GE,135GEE,90GE1P,135GGE2P,135GE2P,135GEE2P,90GEP,135GGEP,135GEP,135GEEP | Guarnizione manopola                               | 2519490   |
| 80  | 90GE,135GGE,135GE,135GEE,90GE1P,135GGE2P,135GE2P,135GEE2P,90GEP,135GGEP,135GEP,135GEEP | Gemma verde  | 6A038507  |
| 81  | 90GE,135GGE,135GE,135GEE,90GE1P,135GGE2P,135GE2P,135GEE2P,90GEP,135GGEP,135GEP,135GEEP | Gemma bianca                                       | 6A039207  |
| 82  | 90GE,135GGE,135GE,135GEE,90GE1P,135GGE2P,135GE2P,135GEE2P,90GEP,135GGEP,135GEP,135GEEP | Segnalatori luminosi                               | 6A038506  |
| 90  | 135GGE,135GEE,135GGE2P,135GEE2P,135GGEP,135GEEP  | Manopola nera per armadio caldo e bagnomaria elett | 2599210   |
| 95  |  | Interruttore termostato                            | 826630230 |
| 700   | 135GGE,135GEE,135GGE2P,135GEE2P,135GGEP,135GEEP  | Resistenza 700 W                                   | 826620031 |

45G=110/45CG, 45TG=110/45TCG, 90G=110/90CG, 90TG=110/90TCG, 135G=110/135CG, 135TG=110/135TCG, 90GG=110/90CGG, 90GE=110/90CGE, 135GG=110/135CGG, 135GGE=110/135CGGE, 135GE=110/135CGE, 135GEE=110/135CGEE, 45G1P=110/45CG1P, 45TG1P=110/45TCG1P, 90G1P=110/90CG1P, 90TG1P=110/90TCG1P, 135G2P=110/135CG2P, 135TG2P=110/135TCG2P, 90GG1P=110/90CGG1P, 90GE1P=110/90CGE1P, 135GG2P=110/135CGG2P, 135GGE2P=110/135CGGE2P, 135GE2P=110/135CGE2P, 135GEE2P=110/135CGEE2P, 45GP=110/45CGP, 45TGP=110/45TCGP, 90GP=110/90CGP, 90TGP=110/90TCGP, 135GP=110/135CGP, 135TGP=110/135TCGP, 90GGP=110/90CGGP, 90GEP=110/90CGEP, 135GGP=110/135CGGP, 135GGEP=110/135CGGEP, 135GEP=110/135CGEP, 135GEEP=110/135CGEEP

A=3/N/PE~400/230V 50Hz, H=3/PE~230V 50Hz, P=1/N/PE~220-240V 50Hz





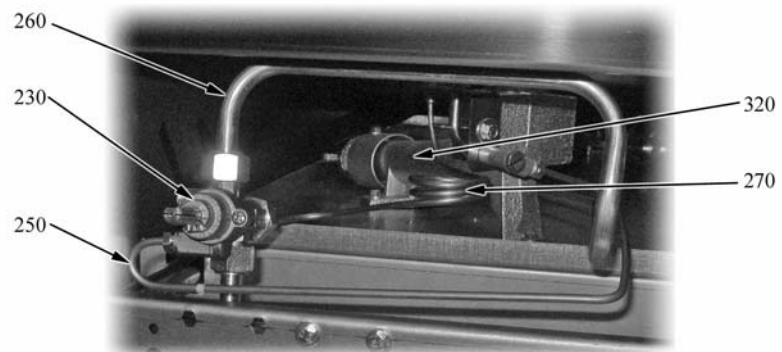
## Parti di ricambio

| ID   | Tipo  | Descrizione                        | Codici   |
|--|---|------------------------------------|----------|
| <b>Module: Bruciatori e condutture fuochi aperti Tipo "C" 3,5 kW</b> |   |                                    |          |
| 240  |   | Pilota                             | 2510359  |
| 280  | 45G,90G,135G,90GG,90GE,135GG,135GGE,135GE,135GEE,45G1P,90G1P,135G2P,90GG1P,90GE1P,135GG2P,135GGE2P,135GE2P,135GEE2P,45TG,90TG,135TG,45TG1P,90TG1P,135TG2P | Venturi bruciatore "C" 3,5 kW      | 2510347  |
| 290  |   | Tubo portafiamma                   | 2518999  |
| 300  |   | Raccordo                           | 6A014708 |
| 310  |   | Regolatore d'aria                  | 2519002  |
| 230  |   | Rubinetto                          | 6A011490 |
| 270  |   | Termocoppia                        | 6A011905 |
| 330  | 45G,90G,135G,90GG,90GE,135GG,135GGE,135GE,135GEE,45G1P,90G1P,135G2P,90GG1P,90GE1P,135GG2P,135GGE2P,135GE2P,135GEE2P,45TG,90TG,135TG,45TG1P,90TG1P,135TG2P | Conduttura d. 4 destra o centrale  | 2516045  |
| 390  |   | Vite                               | 2510610  |
| 400  | 45G,90G,135G,90GG,90GE,135GG,135GGE,135GE,135GEE,45G1P,90G1P,135G2P,90GG1P,90GE1P,135GG2P,135GGE2P,135GE2P,135GEE2P,45TG,90TG,135TG,45TG1P,90TG1P,135TG2P | Conduttura d. 10 destra o centrale | 2516039  |
| 250  | 45G,90G,135G,90GG,90GE,135GG,135GGE,135GE,135GEE,45G1P,90G1P,135G2P,90GG1P,90GE1P,135GG2P,135GGE2P,135GE2P,135GEE2P,45TG,90TG,135TG,45TG1P,90TG1P,135TG2P | Conduttura d. 4 sinistra           | 2516046  |
| 260  | 45G,90G,135G,90GG,90GE,135GG,135GGE,135GE,135GEE,45G1P,90G1P,135G2P,90GG1P,90GE1P,135GG2P,135GGE2P,135GE2P,135GEE2P,45TG,90TG,135TG,45TG1P,90TG1P,135TG2P | Conduttura d. 10 sinistra          | 2516040  |

45G=110/45CG, 45TG=110/45TCG, 90G=110/90CG, 90TG=110/90TCG, 135G=110/135CG, 135TG=110/135TCG, 90GG=110/90CGG, 90GE=110/90CGE, 135GG=110/135CGG, 135GGE=110/135CGGE, 135GE=110/135CGE, 135GEE=110/135CGEE, 45G1P=110/45CG1P, 45TG1P=110/45TCG1P, 90G1P=110/90CG1P, 90TG1P=110/90TCG1P, 135G2P=110/135CG2P, 135TG2P=110/135TCG2P, 90GG1P=110/90CGG1P, 90GE1P=110/90CGE1P, 135GG2P=110/135CGG2P, 135GGE2P=110/135CGGE2P, 135GE2P=110/135CGE2P, 135GEE2P=110/135CGEE2P, 45GP=110/45CGP, 45TGP=110/45TCGP, 90GP=110/90CGP, 90TGP=110/90TCGP, 135GP=110/135CGP, 135TGP=110/135TCGP, 90GGP=110/90CGGP, 90GEP=110/90CGEP, 135GGP=110/135CGGP, 135GGEP=110/135CGGEP, 135GEP=110/135CGEP, 135GEEP=110/135CGEEP

A=3/N/PE~400/230V 50Hz, H=3/PE~230V 50Hz, P=1/N/PE~220-240V 50Hz







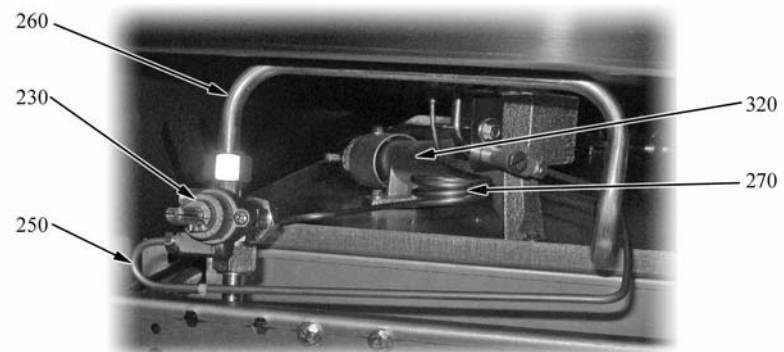
## Parti di ricambio

| ID   | Tipo  | Descrizione                        | Codici   |
|--|---|------------------------------------|----------|
| <b>Module: Bruciatori e condutture fuochi aperti Tipo "D" 5,6 kW</b> |   |                                    |          |
| 240  |   | Pilota                             | 2510359  |
| 280  | 90G,135G,90GG,90GE,135GG,135GGE,135GE,135GEE,90TG,135TG,90G1P,135G2P,90GG1P,90GE1P,135GG2P,135GGE2P,135GE2P,135GEE2P,90TG1P,135TG2P | Venturi bruciatore "D" 5,6 kW      | 2510348  |
| 290  |   | Tubo portafiamma                   | 2518999  |
| 300  |   | Raccordo                           | 6A014708 |
| 310  |   | Regolatore d'aria                  | 2519002  |
| 230  |   | Rubinetto                          | 6A011490 |
| 270  |   | Termocoppia                        | 6A011905 |
| 330  | 90G,135G,90GG,90GE,135GG,135GGE,135GE,135GEE,90TG,135TG,90G1P,135G2P,90GG1P,90GE1P,135GG2P,135GGE2P,135GE2P,135GEE2P,90TG1P,135TG2P | Conduttura d. 4 destra o centrale  | 2516043  |
| 390  |   | Vite                               | 2510610  |
| 400  | 90G,135G,90GG,90GE,135GG,135GGE,135GE,135GEE,90TG,135TG,90G1P,135G2P,90GG1P,90GE1P,135GG2P,135GGE2P,135GE2P,135GEE2P,90TG1P,135TG2P | Conduttura d. 10 destra o centrale | 2516037  |
| 250  | 90G,135G,90GG,90GE,135GG,135GGE,135GE,135GEE,90TG,135TG,90G1P,135G2P,90GG1P,90GE1P,135GG2P,135GGE2P,135GE2P,135GEE2P,90TG1P,135TG2P | Conduttura d. 4 sinistra           | 2516044  |
| 260  | 90G,135G,90GG,90GE,135GG,135GGE,135GE,135GEE,90TG,135TG,90G1P,135G2P,90GG1P,90GE1P,135GG2P,135GGE2P,135GE2P,135GEE2P,90TG1P,135TG2P | Conduttura d. 10 sinistra          | 2516038  |

45G=110/45CG, 45TG=110/45TCG, 90G=110/90CG, 90TG=110/90TCG, 135G=110/135CG, 135TG=110/135TCG, 90GG=110/90CGG, 90GE=110/90CGE, 135GG=110/135CGG, 135GGE=110/135CGGE, 135GE=110/135CGE, 135GEE=110/135CGEE, 45G1P=110/45CG1P, 45TG1P=110/45TCG1P, 90G1P=110/90CG1P, 90TG1P=110/90TCG1P, 135G2P=110/135CG2P, 135TG2P=110/135TCG2P, 90GG1P=110/90CGG1P, 90GE1P=110/90CGE1P, 135GG2P=110/135CGG2P, 135GGE2P=110/135CGGE2P, 135GE2P=110/135CGE2P, 135GEE2P=110/135CGEE2P, 45GP=110/45CGP, 45TGP=110/45TCGP, 90GP=110/90CGP, 90TGP=110/90TCGP, 135GP=110/135CGP, 135TGP=110/135TCGP, 90GGP=110/90CGGP, 90GEP=110/90CGEP, 135GGP=110/135CGGP, 135GGEP=110/135CGGEP, 135GEP=110/135CGEP, 135GEEP=110/135CGEEP

A=3/N/PE~400/230V 50Hz, H=3/PE~230V 50Hz, P=1/N/PE~220-240V 50Hz





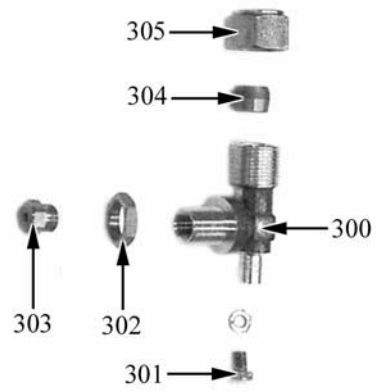
## Parti di ricambio

| ID   | Tipo | Descrizione                        | Codici   |
|--|------|------------------------------------|----------|
| <b>Module: Bruciatori e condutture fuochi aperti Tipo "E" 7 kW-"E" 10 kW</b> |      |                                    |          |
| 240  |      | Pilota                             | 2510359  |
| 280  |      | Venturi bruciatore "E" 7-10 kW     | 2510349  |
| 290  |      | Tubo portafiamma                   | 2518999  |
| 300  |      | Raccordo                           | 6A014708 |
| 310  |      | Regolatore d'aria                  | 2519002  |
| 230  |      | Rubinetto                          | 6A011490 |
| 270  |      | Termocoppia                        | 6A011905 |
| 330  |      | Conduttura d. 4 destra o centrale  | 2516041  |
| 390  |      | Vite                               | 2510610  |
| 400  |      | Conduttura d. 10 destra o centrale | 2516035  |
| 250  |      | Conduttura d. 4 sinistra           | 2516042  |
| 260  |      | Conduttura d. 10 sinistra          | 2516036  |

45G=110/45CG, 45TG=110/45TCG, 90G=110/90CG, 90TG=110/90TCG, 135G=110/135CG, 135TG=110/135TCG, 90GG=110/90CGG, 90GE=110/90CGE, 135GG=110/135CGG, 135GGE=110/135CGGE, 135GE=110/135CGE, 135GEE=110/135CGEE, 45G1P=110/45CG1P, 45TG1P=110/45TCG1P, 90G1P=110/90CG1P, 90TG1P=110/90TCG1P, 135G2P=110/135CG2P, 135TG2P=110/135TCG2P, 90GG1P=110/90CGG1P, 90GE1P=110/90CGE1P, 135GG2P=110/135CGG2P, 135GGE2P=110/135CGGE2P, 135GE2P=110/135CGE2P, 135GEE2P=110/135CGEE2P, 45GP=110/45CGP, 45TGP=110/45TCGP, 90GP=110/90CGP, 90TGP=110/90TCGP, 135GP=110/135CGP, 135TGP=110/135TCGP, 90GGP=110/90CGGP, 90GEP=110/90CGEP, 135GGP=110/135CGGP, 135GGEP=110/135CGGEP, 135GEP=110/135CGEP, 135GEPP=110/135CGEPP

A=3/N/PE~400/230V 50Hz, H=3/PE~230V 50Hz, P=1/N/PE~220-240V 50Hz





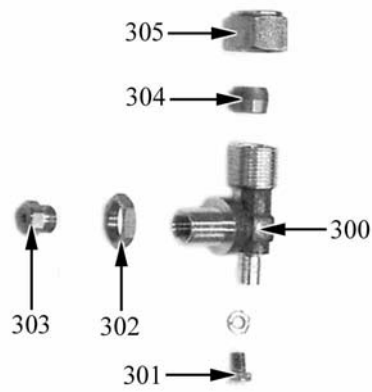
## Parti di ricambio

| ID                                 | Tipo | Descrizione                                | Codici   |
|------------------------------------|------|--|----------|
| <b>Module:Ugelli fuochi aperti</b> |      |  |          |
| 301                                |      | Vite                                       | 2510610  |
| 302                                |      | Controdado                                 | 6A010820 |
| 303                                |      | Kit ugelli IT fuochi aperti bruciatore "C" | 2592800  |
| -                                  |      | Ugello L 90                                |          |
| -                                  |      | Ugello L 140                               |          |
| -                                  |      | By pass                                    |          |
| -                                  |      | Ugello 35                                  |          |
| 303                                |      | Kit ugelli DE fuochi aperti bruciatore "C" | 2592801  |
| -                                  |      | Ugello L 80                                |          |
| -                                  |      | Ugello L 140                               |          |
| -                                  |      | Ugello L 150                               |          |
| -                                  |      | By pass                                    |          |
| -                                  |      | Ugello 35                                  |          |
| 303                                |      | Kit ugelli H fuochi aperti bruciatore "C"  | 2592863  |
| -                                  |      | Ugello L 90                                |          |
| -                                  |      | Ugello L 130                               |          |
| -                                  |      | Ugello L 150                               |          |
| -                                  |      | By pass                                    |          |
| -                                  |      | Ugello 35                                  |          |
| 303                                |      | Kit ugelli PL fuochi aperti bruciatore "C" | 2592897  |
| -                                  |      | Ugello L 85                                |          |
| -                                  |      | Ugello L 140                               |          |
| -                                  |      | Ugello L 155                               |          |
| -                                  |      | Ugello L 185                               |          |
| -                                  |      | By pass                                    |          |
| -                                  |      | Ugello 35                                  |          |
| -                                  |      | Ugello 45                                  |          |

45G=110/45CG, 45TG=110/45TCG, 90G=110/90CG, 90TG=110/90TCG, 135G=110/135CG, 135TG=110/135TCG, 90GG=110/90CGG, 90GE=110/90CGE, 135GG=110/135CGG, 135GGE=110/135CGGE, 135GE=110/135CGE, 135GEE=110/135CGEE, 45G1P=110/45CG1P, 45TG1P=110/45TCG1P, 90G1P=110/90CG1P, 90TG1P=110/90TCG1P, 135G2P=110/135CG2P, 135TG2P=110/135TCG2P, 90GG1P=110/90CGG1P, 90GE1P=110/90CGE1P, 135GG2P=110/135CGG2P, 135GGE2P=110/135CGGE2P, 135GE2P=110/135CGE2P, 135GEE2P=110/135CGEE2P, 45GP=110/45CGP, 45TGP=110/45TCGP, 90GP=110/90CGP, 90TGP=110/90TCGP, 135GP=110/135CGP, 135TGP=110/135TCGP, 90GGP=110/90CGGP, 90GEP=110/90CGEP, 135GGP=110/135CGGP, 135GGEP=110/135CGGEP, 135GEP=110/135CGEP, 135GEEP=110/135CGEEP

A=3/N/PE~400/230V 50Hz, H=3/PE~230V 50Hz, P=1/N/PE~220-240V 50Hz



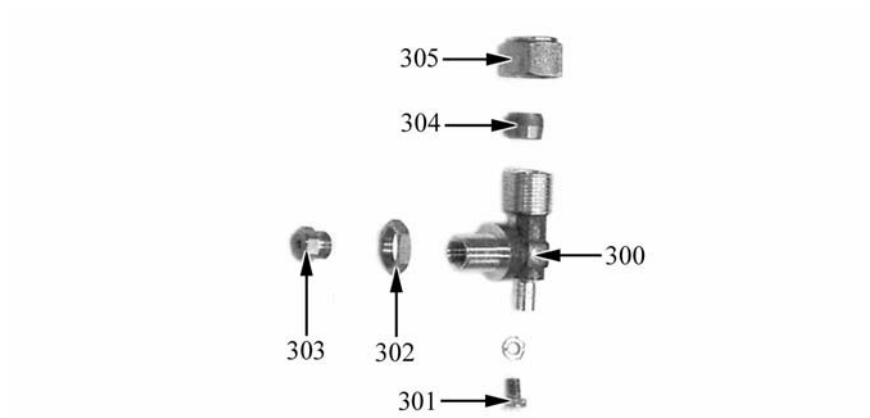


| ID                                 | Tipo | Descrizione                                | Codici  |
|------------------------------------|------|--|---------|
| <b>Module:Ugelli fuochi aperti</b> |      |  |         |
| 303                                |      | Kit ugelli IT fuochi aperti bruciatore "D" | 2592802 |
| -                                  |      | Ugello L 115                               |         |
| -                                  |      | Ugello L 170R                              |         |
| -                                  |      | By pass                                    |         |
| -                                  |      | Ugello 35                                  |         |
| 303                                |      | Kit ugelli DE fuochi aperti bruciatore "D" | 2592803 |
| -                                  |      | Ugello L 105                               |         |
| -                                  |      | Ugello L 170R                              |         |
| -                                  |      | Ugello L 185R                              |         |
| -                                  |      | By pass                                    |         |
| -                                  |      | Ugello 35                                  |         |
| 303                                |      | Kit ugelli H fuochi aperti bruciatore "D"  | 2592864 |
| -                                  |      | Ugello L 115                               |         |
| -                                  |      | Ugello L 160R                              |         |
| -                                  |      | Ugello L 180R                              |         |
| -                                  |      | By pass                                    |         |
| -                                  |      | Ugello 35                                  |         |
| 303                                |      | Kit ugelli PL fuochi aperti bruciatore "D" | 2592898 |
| -                                  |      | Ugello L 110                               |         |
| -                                  |      | Ugello L 170R                              |         |
| -                                  |      | Ugello L 195                               |         |
| -                                  |      | Ugello L 245                               |         |
| -                                  |      | By pass                                    |         |
| -                                  |      | Ugello 35                                  |         |
| -                                  |      | Ugello 45                                  |         |

45G=110/45CG, 45TG=110/45TCG, 90G=110/90CG, 90TG=110/90TCG, 135G=110/135CG, 135TG=110/135TCG, 90GG=110/90CGG, 90GE=110/90CGE, 135GG=110/135CGG, 135GGE=110/135CGGE, 135GE=110/135CGE, 135GEE=110/135CGEE, 45G1P=110/45CG1P, 45TG1P=110/45TCG1P, 90G1P=110/90CG1P, 90TG1P=110/90TCG1P, 135G2P=110/135CG2P, 135TG2P=110/135TCG2P, 90GG1P=110/90CGG1P, 90GE1P=110/90CGE1P, 135GG2P=110/135CGG2P, 135GGE2P=110/135CGGE2P, 135GE2P=110/135CGE2P, 135GEE2P=110/135CGEE2P, 45GP=110/45CGP, 45TGP=110/45TCGP, 90GP=110/90CGP, 90TGP=110/90TCGP, 135GP=110/135CGP, 135TGP=110/135TCGP, 90GGP=110/90CGGP, 90GEP=110/90CGEP, 135GGP=110/135CGGP, 135GGEP=110/135CGGEP, 135GEP=110/135CGEP, 135GEEP=110/135CGEEP

A=3/N/PE~400/230V 50Hz, H=3/PE~230V 50Hz, P=1/N/PE~220-240V 50Hz







| ID                                 | Tipo | Descrizione                                | Codici  |
|------------------------------------|------|--|---------|
| <b>Module:Ugelli fuochi aperti</b> |      |  |         |
| 303                                |      | Kit ugelli IT fuochi aperti bruciatore "E" | 2592804 |
| -                                  |      | Ugello L 130                               |         |
| -                                  |      | Ugello L 185R                              |         |
| -                                  |      | By pass                                    |         |
| -                                  |      | Ugello 35                                  |         |
| 303                                |      | Kit ugelli DE fuochi aperti bruciatore "E" | 2592805 |
| -                                  |      | Ugello L 115                               |         |
| -                                  |      | Ugello L 200R                              |         |
| -                                  |      | Ugello L 185R                              |         |
| -                                  |      | By pass                                    |         |
| -                                  |      | Ugello 35                                  |         |
| 303                                |      | Kit ugelli H fuochi aperti bruciatore "E"  | 2592865 |
| -                                  |      | Ugello L 130                               |         |
| -                                  |      | Ugello L 200R                              |         |
| -                                  |      | Ugello L 175                               |         |
| -                                  |      | By pass                                    |         |
| -                                  |      | Ugello 35                                  |         |
| 303                                |      | Kit ugelli PL fuochi aperti bruciatore "E" | 2592899 |
| -                                  |      | Ugello L 120                               |         |
| -                                  |      | Ugello L 185R                              |         |
| -                                  |      | Ugello L 225                               |         |
| -                                  |      | Ugello L 275                               |         |
| -                                  |      | By pass                                    |         |
| -                                  |      | Ugello 35                                  |         |
| -                                  |      | Ugello 45                                  |         |

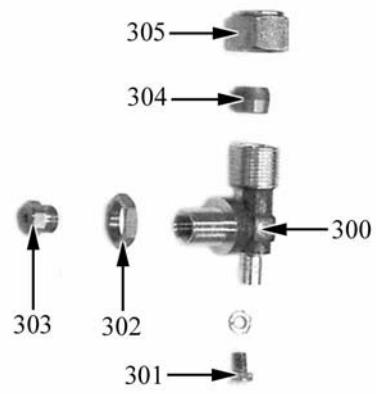
45G=110/45CG, 45TG=110/45TCG, 90G=110/90CG, 90TG=110/90TCG, 135G=110/135CG, 135TG=110/135TCG, 90GG=110/90CGG, 90GE=110/90CGE, 135GG=110/135CGG, 135GGE=110/135CGGE, 135GE=110/135CGE, 135GEE=110/135CGEE, 45G1P=110/45CG1P, 45TG1P=110/45TCG1P, 90G1P=110/90CG1P, 90TG1P=110/90TCG1P, 135G2P=110/135CG2P, 135TG2P=110/135TCG2P, 90GG1P=110/90CGG1P, 90GE1P=110/90CGE1P, 135GG2P=110/135CGG2P, 135GGE2P=110/135CGGE2P, 135GE2P=110/135CGE2P, 135GEE2P=110/135CGEE2P, 45GP=110/45CGP, 45TGP=110/45TCGP, 90GP=110/90CGP, 90TGP=110/90TCGP, 135GP=110/135CGP, 135TGP=110/135TCGP, 90GGP=110/90CGGP, 90GEP=110/90CGEP, 135GGP=110/135CGGP, 135GGEP=110/135CGGEP, 135GEP=110/135CGEP, 135GEEP=110/135CGEEP

A=3/N/PE~400/230V 50Hz, H=3/PE~230V 50Hz, P=1/N/PE~220-240V 50Hz



Parti di ricambio

---



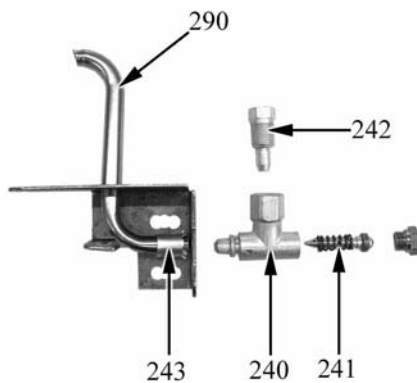
## Parti di ricambio

| ID                                 | Tipo | Descrizione                                 | Codici   |
|------------------------------------|------|---|----------|
| <b>Module:Ugelli fuochi aperti</b> |      |   |          |
| 303                                |      | Kit ugelli IT fuochi aperti bruciatore "E+" | 2592893  |
| -                                  |      | Ugello L 155                                |          |
| -                                  |      | Ugello L 235                                |          |
| -                                  |      | Ugello L 255                                |          |
| -                                  |      | By pass                                     |          |
| -                                  |      | Ugello 35                                   |          |
| 303                                |      | Kit ugelli DE fuochi aperti bruciatore "E+" | 2592894  |
| -                                  |      | Ugello L 140                                |          |
| -                                  |      | Ugello L 235                                |          |
| -                                  |      | Ugello L 265                                |          |
| -                                  |      | By pass                                     |          |
| -                                  |      | Ugello 35                                   |          |
| 303                                |      | Kit ugelli H fuochi aperti bruciatore "E+"  | 2592895  |
| -                                  |      | Ugello L 155                                |          |
| -                                  |      | Ugello L 225                                |          |
| -                                  |      | Ugello L 265                                |          |
| -                                  |      | By pass                                     |          |
| -                                  |      | Ugello 35                                   |          |
| 303                                |      | Kit ugelli PL fuochi aperti bruciatore "E+" | 2592896  |
| -                                  |      | Ugello L 145                                |          |
| -                                  |      | Ugello L 235                                |          |
| -                                  |      | Ugello L 265                                |          |
| -                                  |      | Ugello L 350                                |          |
| -                                  |      | By pass                                     |          |
| -                                  |      | Ugello 35                                   |          |
| -                                  |      | Ugello 45                                   |          |
| 304                                |      | Bicono                                      | 6A011470 |
| 305                                |      | Dado  | 6A011475 |

45G=110/45CG, 45TG=110/45TCG, 90G=110/90CG, 90TG=110/90TCG, 135G=110/135CG, 135TG=110/135TCG, 90GG=110/90CGG, 90GE=110/90CGE, 135GG=110/135CGG, 135GGE=110/135CGGE, 135GE=110/135CGE, 135GEE=110/135CGEE, 45G1P=110/45CG1P, 45TG1P=110/45TCG1P, 90G1P=110/90CG1P, 90TG1P=110/90TCG1P, 135G2P=110/135CG2P, 135TG2P=110/135TCG2P, 90GG1P=110/90CGG1P, 90GE1P=110/90CGE1P, 135GG2P=110/135CGG2P, 135GGE2P=110/135CGGE2P, 135GE2P=110/135CGE2P, 135GEE2P=110/135CGEE2P, 45GP=110/45CGP, 45TGP=110/45TCGP, 90GP=110/90CGP, 90TGP=110/90TCGP, 135GP=110/135CGP, 135TGP=110/135TCGP, 90GGP=110/90CGGP, 90GEP=110/90CGEP, 135GGP=110/135CGGP, 135GGEP=110/135CGGEP, 135GEP=110/135CGEP, 135GEEP=110/135CGEEP

A=3/N/PE~400/230V 50Hz, H=3/PE~230V 50Hz, P=1/N/PE~220-240V 50Hz





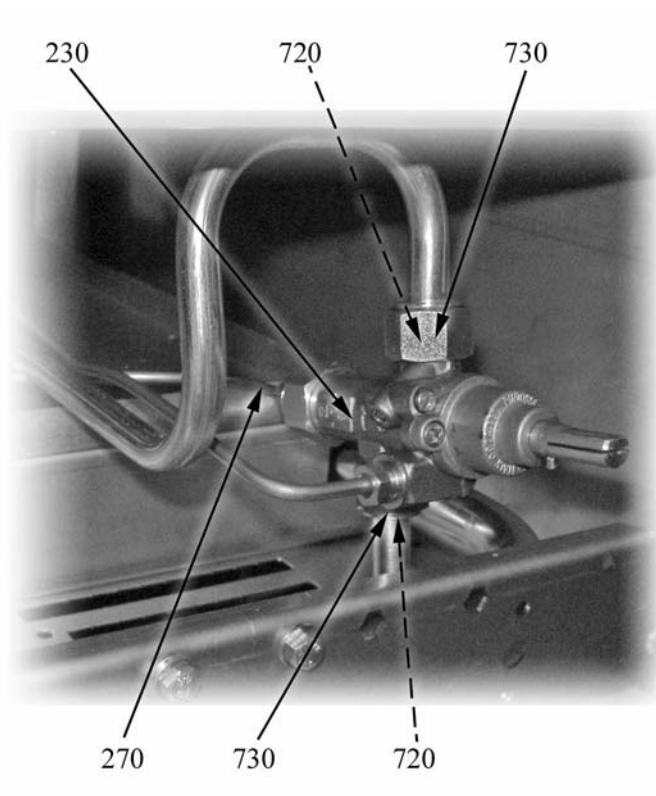
## Parti di ricambio

| ID                                  | Tipo | Descrizione       | Codici   |
|-------------------------------------|------|-------------------|----------|
| <b>Module: Pilota fuochi aperti</b> |      |                   |          |
| 240                                 |      | Pilota            | 2510359  |
| 241                                 |      | Ugello 45         | 6A013116 |
| 241                                 |      | Ugello 20         | 6A013101 |
| 241                                 |      | Ugello 35         | 6A013103 |
| 242                                 |      | Raccordo bicono   | 6A011608 |
| 243                                 |      | Regolatore d'aria | 6A013104 |
| 290                                 |      | Tubo portafiamma  | 2518999  |

45G=110/45CG, 45TG=110/45TCG, 90G=110/90CG, 90TG=110/90TCG, 135G=110/135CG, 135TG=110/135TCG, 90GG=110/90CGG, 90GE=110/90CGE, 135GG=110/135CGG, 135GGE=110/135CGGE, 135GE=110/135CGE, 135GEE=110/135CGEE, 45G1P=110/45CG1P, 45TG1P=110/45TCG1P, 90G1P=110/90CG1P, 90TG1P=110/90TCG1P, 135G2P=110/135CG2P, 135TG2P=110/135TCG2P, 90GG1P=110/90CGG1P, 90GE1P=110/90CGE1P, 135GG2P=110/135CGG2P, 135GGE2P=110/135CGGE2P, 135GE2P=110/135CGE2P, 135GEE2P=110/135CGEE2P, 45GP=110/45CGP, 45TGP=110/45TCGP, 90GP=110/90CGP, 90TGP=110/90TCGP, 135GP=110/135CGP, 135TGP=110/135TCGP, 90GGP=110/90CGGP, 90GEP=110/90CGEP, 135GGP=110/135CGGP, 135GGEP=110/135CGGEP, 135GEP=110/135CGEP, 135GEEP=110/135CGEEP

A=3/N/PE~400/230V 50Hz, H=3/PE~230V 50Hz, P=1/N/PE~220-240V 50Hz





## Parti di ricambio

---

| ID                      | Tipo | Descrizione | Codici   |
|-------------------------|------|-------------|----------|
| <b>Module:Rubinetto</b> |      |             |          |
| 230                     |      | Rubinetto   | 6A011490 |
| 270                     |      | Termocoppia | 6A011905 |
| 720                     |      | Bicono      | 6A011480 |
| 730                     |      | Dado        | 6A011485 |

45G=110/45CG, 45TG=110/45TCG, 90G=110/90CG, 90TG=110/90TCG, 135G=110/135CG, 135TG=110/135TCG, 90GG=110/90CGG, 90GE=110/90CGE, 135GG=110/135CGG, 135GGE=110/135CGGE, 135GE=110/135CGE, 135GEE=110/135CGEE, 45G1P=110/45CG1P, 45TG1P=110/45TCG1P, 90G1P=110/90CG1P, 90TG1P=110/90TCG1P, 135G2P=110/135CG2P, 135TG2P=110/135TCG2P, 90GG1P=110/90CGG1P, 90GE1P=110/90CGE1P, 135GG2P=110/135CGG2P, 135GGE2P=110/135CGGE2P, 135GE2P=110/135CGE2P, 135GEE2P=110/135CGEE2P, 45GP=110/45CGP, 45TGP=110/45TCGP, 90GP=110/90CGP, 90TGP=110/90TCGP, 135GP=110/135CGP, 135TGP=110/135TCGP, 90GGP=110/90CGGP, 90GEP=110/90CGEP, 135GGP=110/135CGGP, 135GGEP=110/135CGGEP, 135GEP=110/135CGEP, 135GEEP=110/135CGEEP

A=3/N/PE~400/230V 50Hz, H=3/PE~230V 50Hz, P=1/N/PE~220-240V 50Hz