



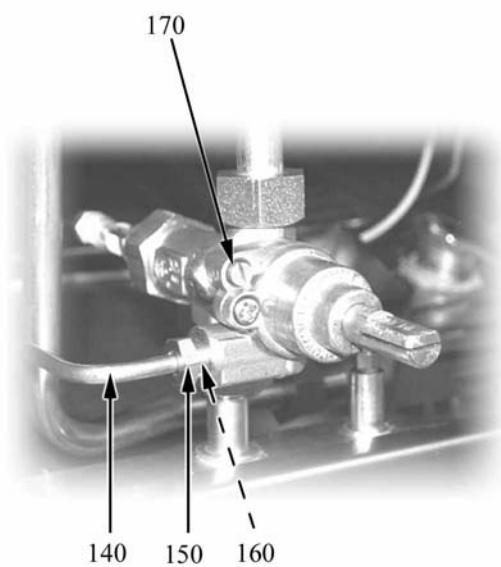
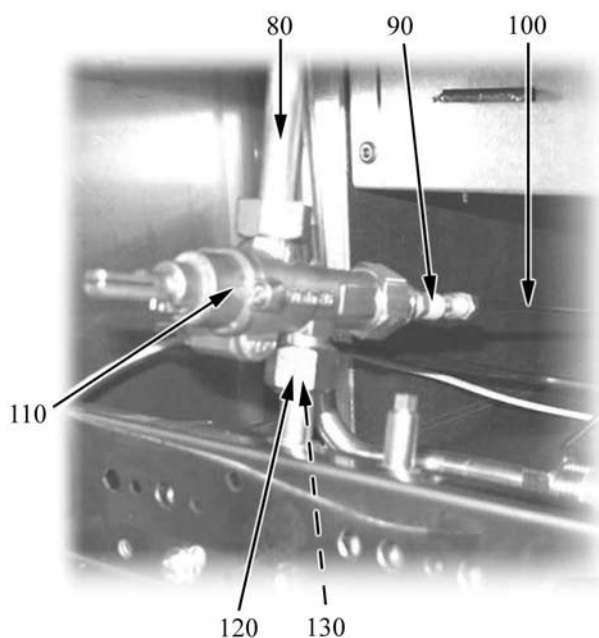
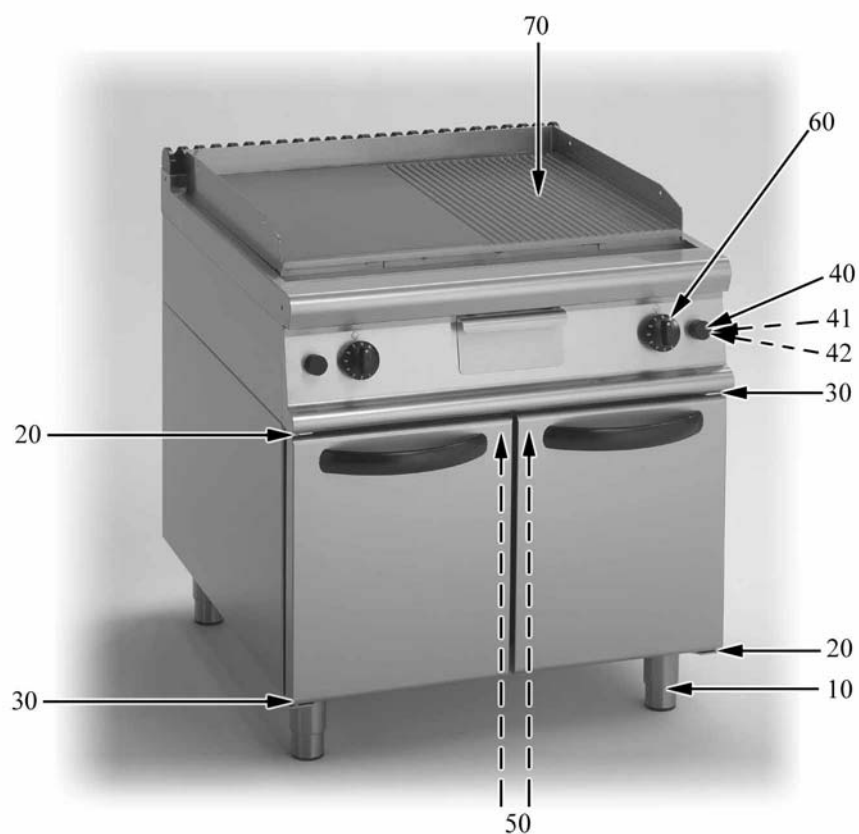
FRY-TOP A GAS Serie 900

MODELLO CON RUBINETTO
MODELLO CON VALVOLA

TIPO: 92/04FTG, 92/04FTGR, 94/04FTG, 94/04FTG1/2R, 94/04FTGR, 92/04FTTG,
92/04FTTGR, 92/04FTTGC, 92/04FTTGCGR, 94/04FTTG, 94/04FTTG1/2R, 94/04FTTGC,
94/04FTTGC1/2R, 94/04FTTGCGR, 92/04TFTG, 92/04TFTGR, 94/04TFTG, 94/04TFTG1/2R,
94/04TFTGR, 92/04TFTTG, 92/04TFTTGR, 92/04TFTTGC, 92/04TFTTGCGR, 94/04TFTTG,
94/04TFTTG1/2R, 94/04TFTTGC, 94/04TFTTGC1/2R, 94/04TFTTGCGR

Parti di ricambio





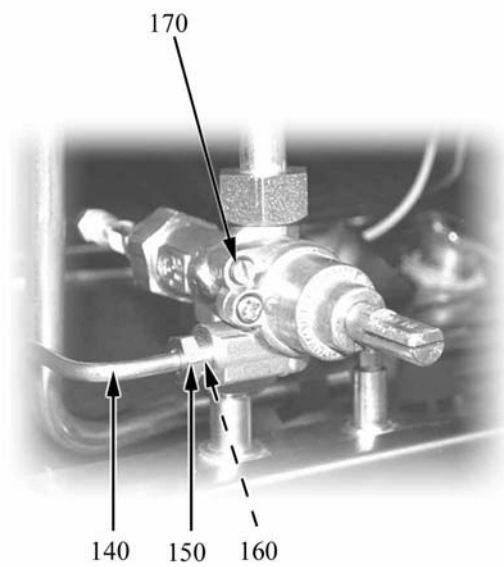
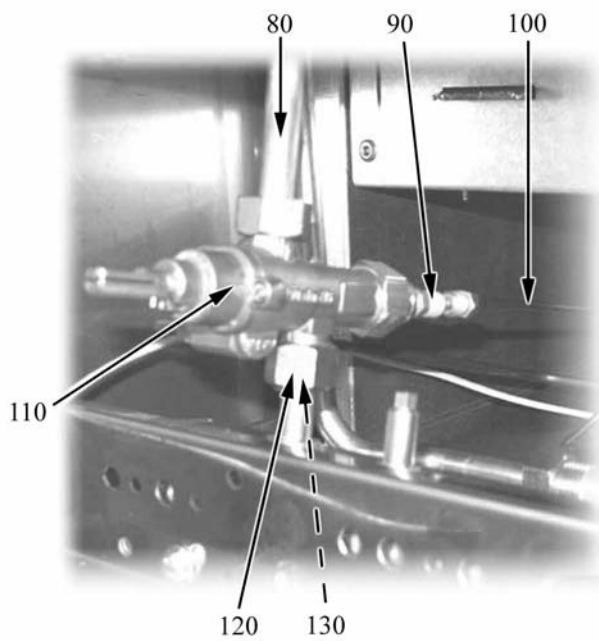
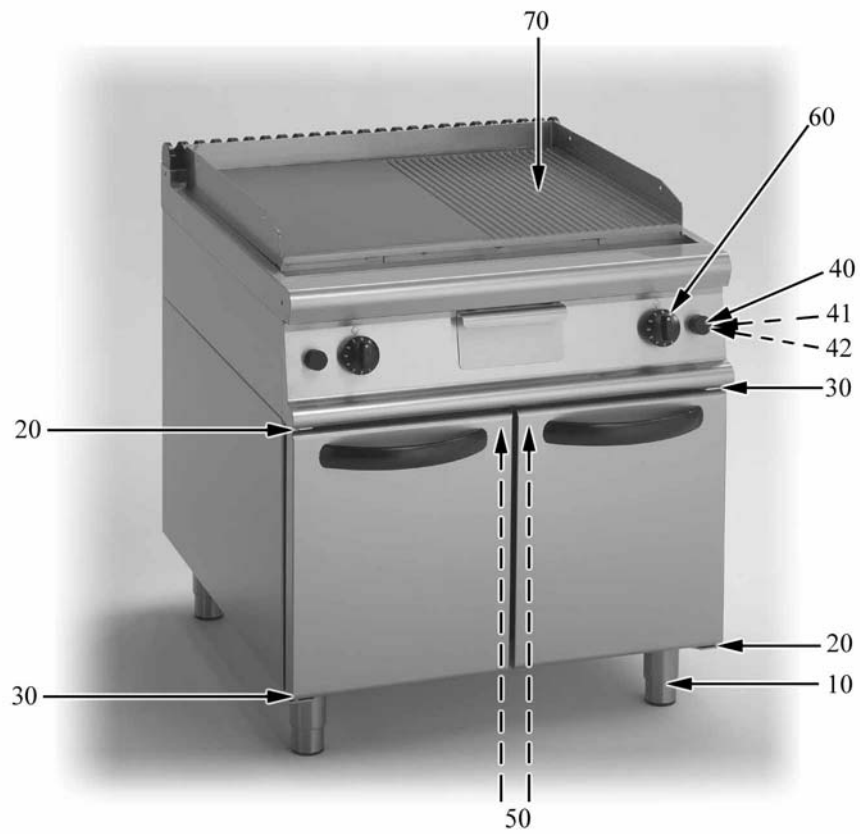
Parti di ricambio

| ID | Modello | Tipo | Descrizione | Codici |
|--|---------|---|--|-----------|
| Module: Parti esterne e rubinetto | | | | |
| 10 | | | Piedino | 826490142 |
| 20 | | | Cerniera inferiore destra superiore sinistra porta | 826410020 |
| 30 | | | Cerniera inferiore sinistra superiore destra porta | 826410010 |
| 40 | | | Accensione piezoelettrica | 6A041105 |
| 41 | | | Rondella | 822160540 |
| 42 | | | Cappuccio | 826630420 |
| 50 | | | Magnete | 826900011 |
| 60 | RUB | | Manopola cucina gas nera | 2599200 |
| 60 | VAL | | Manopola nera per forno e frytop gas | 2599202 |
| 70 | VAL | 94TC1/2R | Piastra | 826470010 |
| 70 | VAL | 94TC,94TOPTC | Piastra | 826470020 |
| 70 | VAL | 92TC | Piastra | 826470050 |
| 70 | | 94,94TOP,94T,94TOPT | Piastra | 826470150 |
| 70 | | 92,92TOP,92T,92TOPT | Piastra | 826470160 |
| 70 | | 92R,92TR,92T,92TOPT | Piastra | 826470230 |
| 70 | | 941/2R,94TOP1/2R,94T1/2R,94TOP1/2R | Piastra | 826470240 |
| 70 | | 94R,94TOPR | Piastra | 826470540 |
| 70 | VAL | 92TCR,92TOPTCR | Piastra | 826470570 |
| 70 | VAL | 94TCR,94TOPTCR | Piastra | 826470580 |
| 80 | RUB | 94,94TOP,94T,94TOPT,941/2R,94TOP1/2R,94T1/2R,94TOP1/2R,94R,94TOPR | Conduttura destra | 823560511 |
| 80 | RUB | 94,94TOP,94T,94TOPT,941/2R,94TOP1/2R,94T1/2R,94TOP1/2R,94R,94TOPR | Conduttura destra Gas Citta | 2515176 |
| 80 | RUB | | Conduttura sinistra | 823560213 |
| 80 | RUB | | Conduttura sinistra Gas Citta | 2515175 |
| 90 | RUB | | Raccordo | 6A013401 |
| 100 | RUB | | Termocoppia | 6A011904 |
| 100 | VAL | 94TC1/2R,94TC,94TOPTC,92TC,94TCR,94TOPTCR | Termocoppia | 6A011909 |
| 110 | RUB | | Rubinetto | 6A011490 |
| 110 | RUB | | Rubinetto Gas Citta | 6A011490 |

RUB= MODELLO CON RUBINETTO, VAL=MODELLO CON VALVOLA

92=92/04FTG, 92R=92/04FTGR, 94=94/04FTG, 941/2R=94/04FTG1/2R, 94R=94/04FTGR, 92T=92/04FTTG, 92TR=92/04FTTGR, 92TC=92/04FTTGC, 92TCR=92/04FTTGCR, 94T=94/04FTTG, 94T1/2R=94/04FTTG1/2R, 94TC=94/04FTTGC, 94TC1/2R=94/04FTTGC1/2R, 94TCR=94/04FTTGCR, 92TOP=92/04TFTG, 92TOPR=92/04TFTGR, 94TOP=94/04TFTG, 94TOP1/2R=94/04TFTG1/2R, 94TOPR=94/04TFTGR, 92TOPT=92/04TFTTG, 92TOPTR=92/04TFTTGR, 92TOPC=92/04TFTTGC, 92TOPTCR=92/04TFTTGCR, 94TOPT=94/04TFTTG, 94TOPT1/2R=94/04TFTTG1/2R, 94TOPTC=94/04TFTTGC, 94TOPTC1/2R=94/04TFTTGC1/2R, 94TOPTCR=94/04TFTTGCR





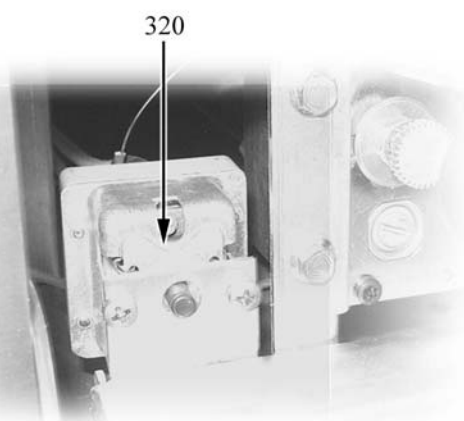
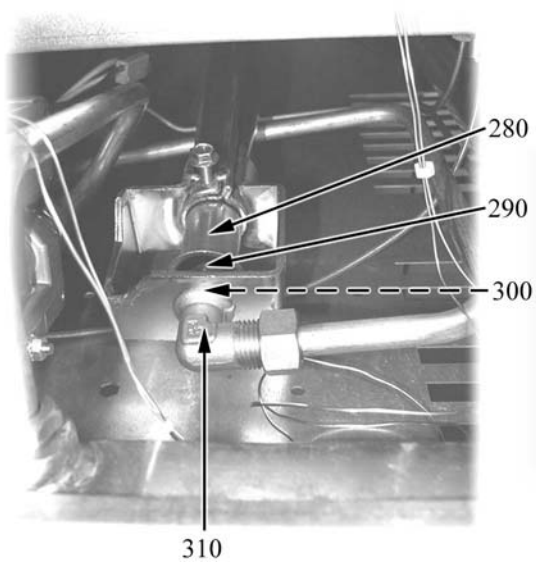
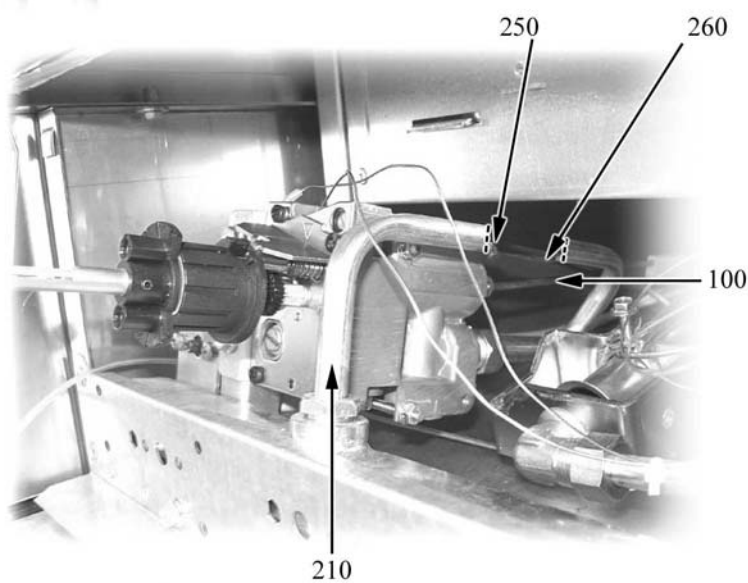
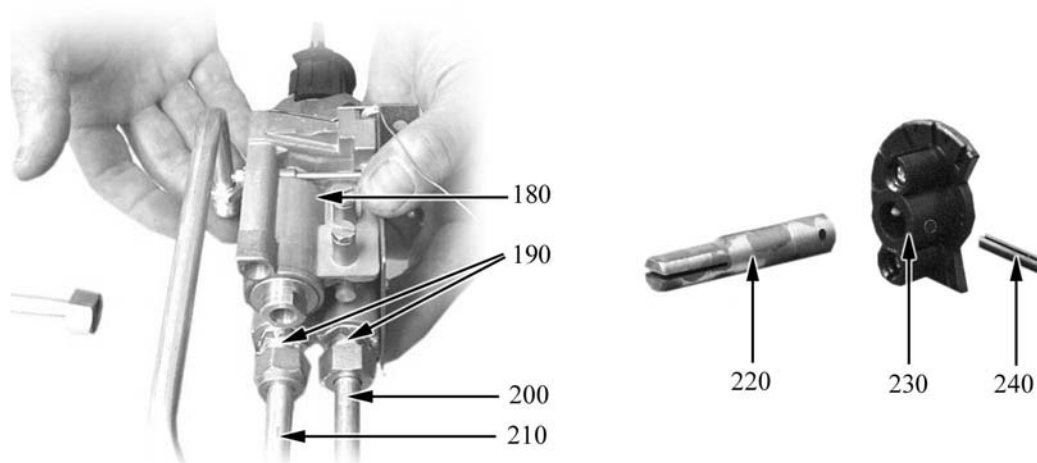
Parti di ricambio

| ID | Modello | Tipo | Descrizione | Codici |
|--|---------|---|-------------|-----------|
| Module: Parti esterne e rubinetto | | | | |
| 120 | RUB | | Dado | 6A011850 |
| 130 | RUB | | Bicono | 6A011480 |
| 140 | RUB | 94,94TOP,94T,94TOPT,941/2R,94TOP1/2R, 94T1/2R,94TOP1/2R,94R,94TOPR | Conduittura | 823560490 |
| 140 | RUB | | Conduittura | 823560230 |
| 150 | RUB | | Dado | 6A016110 |
| 160 | RUB | | Bicono | 6A016120 |
| 170 | RUB | | By-pass 90 | 822450260 |
| 170 | RUB | | By-pass 80 | 822450240 |
| 170 | RUB | | By-pass 135 | 822450300 |
| 170 | RUB | | By-pass 160 | 822450310 |
| 170 | RUB | | By-pass 125 | 822450690 |
| 170 | RUB | | By-pass 95 | 2510378 |

RUB= MODELLO CON RUBINETTO, VAL=MODELLO CON VALVOLA

92=92/04FTG, 92R=92/04FTGR, 94=94/04FTG, 941/2R=94/04FTG1/2R, 94R=94/04FTGR, 92T=92/04FTTG,
92TR=92/04FTTGR, 92TC=92/04FTTGC, 92TCR=92/04FTTGCR, 94T=94/04FTTG, 94T1/2R=94/04FTTG1/2R,
94TC=94/04FTTGC, 94TC1/2R=94/04FTTGC1/2R, 94TCR=94/04FTTGCR, 92TOP=92/04TFTG,
92TOPR=92/04TFTGR, 94TOP=94/04TFTG, 94TOP1/2R=94/04TFTG1/2R, 94TOPR=94/04TFTGR,
92TOPT=92/04TFTTG, 92TOPTR=92/04TFTTGR, 92TOPC=92/04TFTTGC, 92TOPTCR=92/04TFTTGCR,
94TOPT=94/04TFTTG, 94TOPT1/2R=94/04TFTTG1/2R, 94TOPTC=94/04TFTTGC, 94TOPTC1/2R=94/04TFTTGC1/2R,
94TOPTCR=94/04TFTTGCR





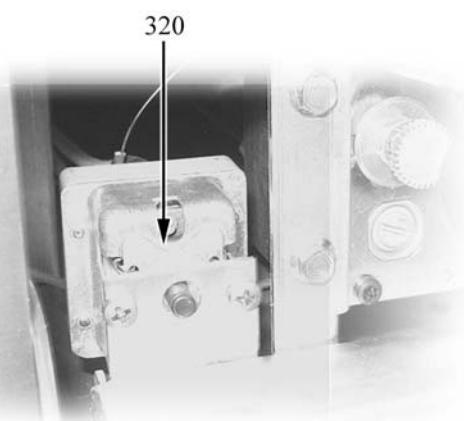
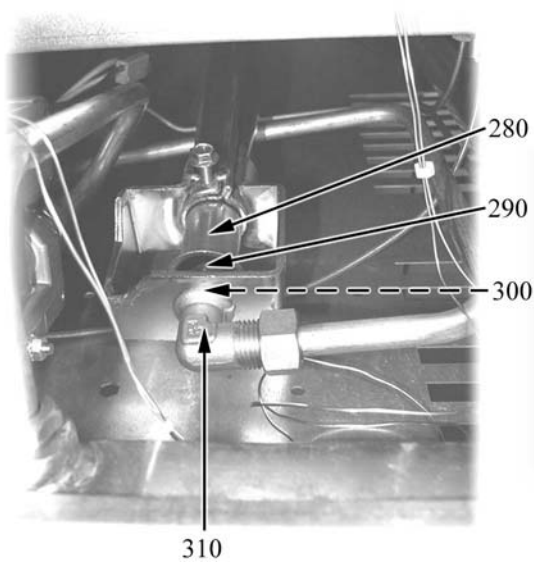
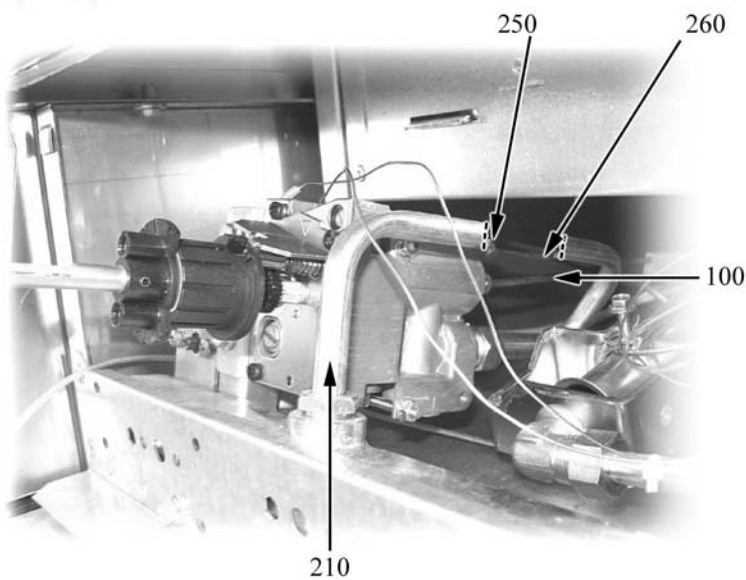
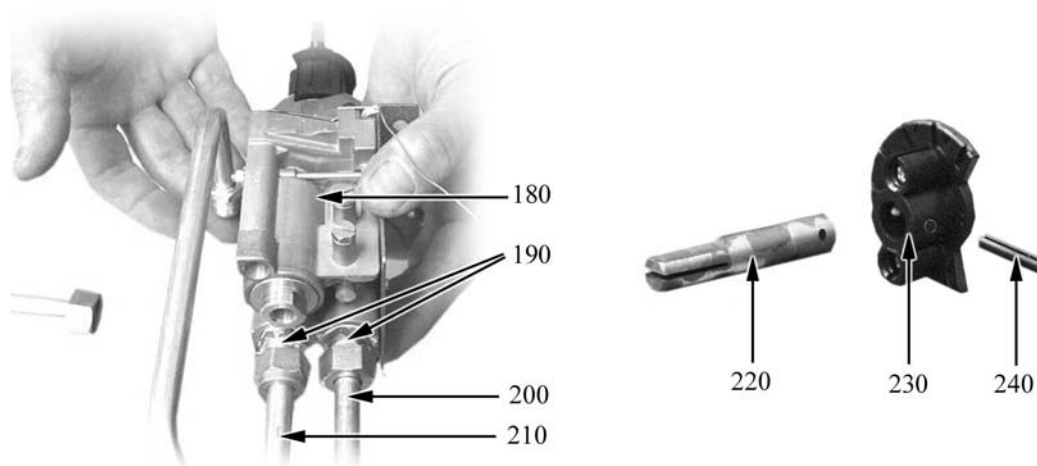
Parti di ricambio

| ID | Modello | Tipo | Descrizione | Codici |
|---|---------|--|------------------|-----------|
| Module:Valvola e termostato di sicurezza | | | | |
| 180 | VAL | | Valvola | 8219950 |
| 190 | VAL | | Raccordo | 822450170 |
| 200 | VAL | | Conduttura | 823560052 |
| 200 | VAL | 94TC1/2R,94TC,94TOPTC,94,94TOP,94T,94TOPT, 941/2R,94TOP1/2R,94T1/2R, 94TOP1/2R,94R,94TOPR,94TCR,94TOPTCR | Conduttura | 823560471 |
| 210 | VAL | | Conduttura | 823560022 |
| 220 | VAL | | Attacco manopola | 822160011 |
| 230 | VAL | | Flangia | 824710060 |
| 240 | VAL | | Spina elastica | 6A011405 |
| 250 | VAL | | Raccordo bicono | 6A011608 |
| 260 | VAL | | Conduttura | 823560032 |
| 260 | VAL | 94TC1/2R,94TC,94TOPTC,94,94TOP,94T,94TOPT, 941/2R,94TOP1/2R,94T1/2R, 94TOP1/2R,94R,94TOPR,94TCR,94TOPTCR | Conduttura | 823560481 |
| 100 | | | Termocoppia | 6A011904 |
| 100 | VAL | 94TC1/2R,94TC,94TOPTC,92TC,94TCR,94TOPTCR | Termocoppia | 6A011909 |
| 280 | | | Boccola | 822120040 |

RUB= MODELLO CON RUBINETTO, VAL=MODELLO CON VALVOLA

92=92/04FTG, 92R=92/04FTGR, 94=94/04FTG, 941/2R=94/04FTG1/2R, 94R=94/04FTGR, 92T=92/04FTTG,
92TR=92/04FTTGR, 92TC=92/04FTTGC, 92TCR=92/04FTTGCGR, 94T=94/04FTTG, 94T1/2R=94/04FTTG1/2R,
94TC=94/04FTTGC, 94TC1/2R=94/04FTTGC1/2R, 94TCR=94/04FTTGCGR, 92TOP=92/04FTTG,
92TOPR=92/04FTTGR, 94TOP=94/04FTTG, 94TOP1/2R=94/04FTTG1/2R, 94TOPR=94/04FTTGR,
92TOPT=92/04FTTGC, 92TOPTR=92/04FTTGCGR, 92TOPC=92/04FTTGC, 92TOPTCR=92/04FTTGCGR,
94TOPT=94/04FTTGC, 94TOPT1/2R=94/04FTTGC1/2R, 94TOPTC=94/04FTTGC, 94TOPTC1/2R=94/04FTTGC1/2R,
94TOPTCR=94/04FTTGCGR





Parti di ricambio

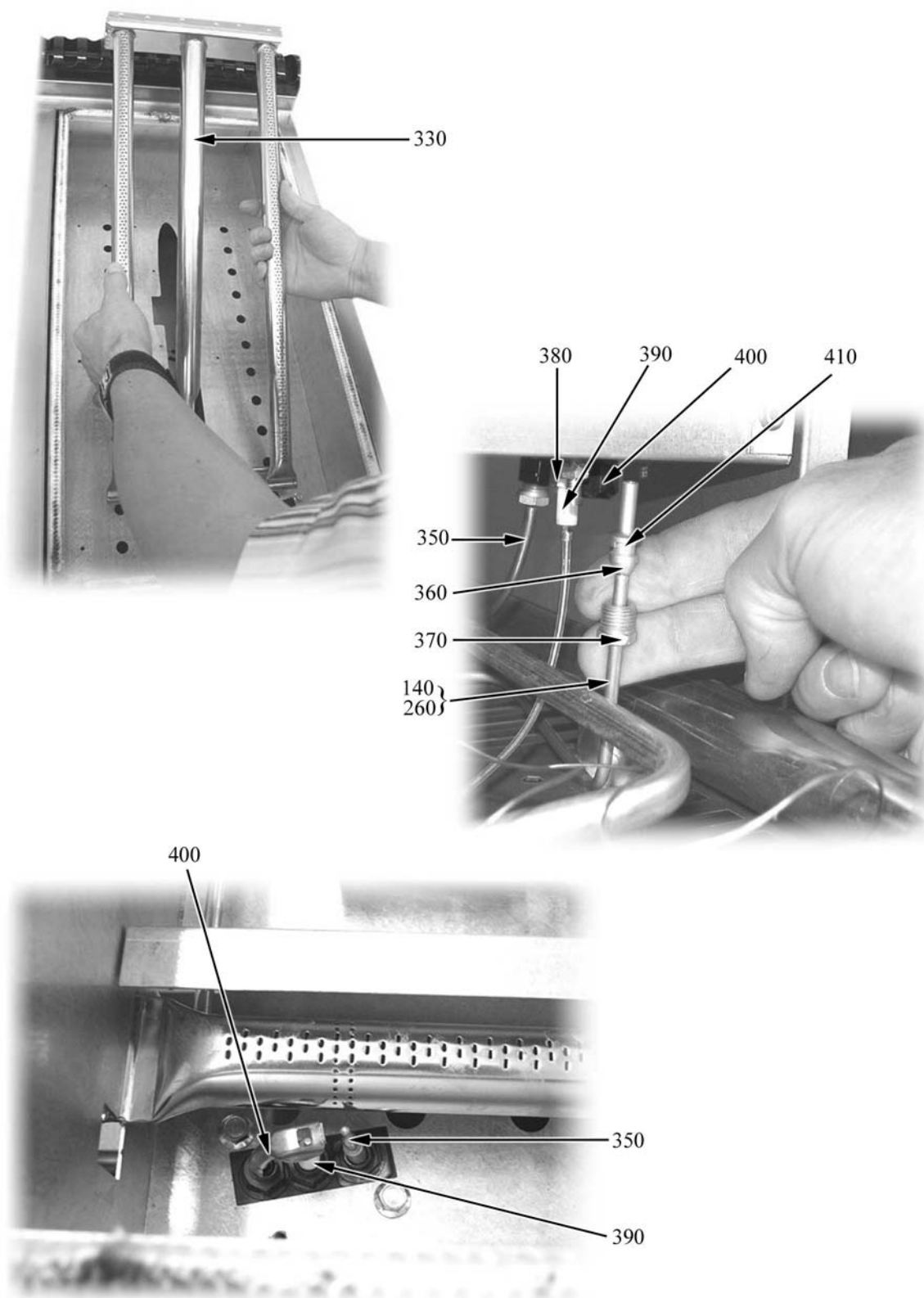
| ID | Modello | Tipo | Descrizione | Codici |
|---|---------|---|----------------------|-----------|
| Module:Valvola e termostato di sicurezza | | | | |
| 290 | | | Kit ugelli IT-DE | 861310130 |
| - | | | Ugello BA 145 | |
| - | | | Ugello BA 130 | |
| - | | | Ugello BA 220 | |
| - | | | Ugello BA 220 | |
| - | | | Ugello BA 240 | |
| - | | | Ugello 19 | |
| - | | | Ugello 27 | |
| 290 | | | Kit ugelli H | 2592858 |
| - | | | Ugello BA 145 | |
| - | | | Ugello BA 205 | |
| - | | | Ugello BA 230 | |
| - | | | Ugello 19 | |
| - | | | Ugello 27 | |
| - | | | Ugello 36 | |
| 290 | | | Kit ugelli Gas Citta | 2592890 |
| - | | | Ugello BA 145 | |
| - | | | Ugello BA 220 | |
| - | | | Ugello BA 440 | |
| - | | | Ugello BA 400 | |
| - | | | Ugello 19 | |
| - | | | Ugello 27 | |
| - | | | Ugello 50 | |
| 300 | | | Dado | 822180010 |
| 310 | | | Raccordo | 822450010 |
| 320 | VAL | 94TC1/2R,94TC,94TOPTC,92TC,94TCR,94TOPTCR | Termostato sicurezza | 826630010 |

RUB= MODELLO CON RUBINETTO, VAL=MODELLO CON VALVOLA

92=92/04FTG, 92R=92/04FTGR, 94=94/04FTG, 941/2R=94/04FTG1/2R, 94R=94/04FTGR, 92T=92/04FTTG, 92TR=92/04FTTGR, 92TC=92/04FTTGC, 92TCR=92/04FTTGCR, 94T=94/04FTTG, 94T1/2R=94/04FTTG1/2R, 94TC=94/04FTTGC, 94TC1/2R=94/04FTTGC1/2R, 94TCR=94/04FTTGCR, 92TOP=92/04TFTG, 92TOPR=92/04TFTGR, 94TOP=94/04TFTG, 94TOP1/2R=94/04TFTG1/2R, 94TOPR=94/04TFTGR, 92TOPT=92/04TFTTG, 92TOPTR=92/04TFTTGR, 92TOPC=92/04TFTTGC, 92TOPTCR=92/04TFTTGCR, 94TOPT=94/04TFTTG, 94TOPT1/2R=94/04TFTTG1/2R, 94TOPTC=94/04TFTTGC, 94TOPTC1/2R=94/04TFTTGC1/2R, 94TOPTCR=94/04TFTTGCR

A=3/N/PE~400/230V 50Hz





Parti di ricambio

| ID | Modello | Tipo | Descrizione | Codici |
|-----------------------------------|---------|--|-------------|-----------|
| Module:Bruciatore e pilota | | | | |
| 330 | | | Bruciatore | 826390012 |
| 100 | | | Termocoppia | 6A011904 |
| 100 | VAL | 94TC1/2R,94TC,94TOPTC,92TC,94TCR,94TOPTCR | Termocoppia | 6A011909 |
| 360 | | | Bicono | 822450050 |
| 370 | | | Raccordo | 822450040 |
| 380 | | | Raccordo | 6A011707 |
| 390 | | | Candela | 6A013301 |
| 400 | | | Pilota | 826920030 |
| 410 | | | Ugello 27 | 6A013107 |
| 410 | | | Ugello 19 | 822140380 |
| 410 | | | Ugello 50 | 6A013108 |
| 410 | | | Ugello 36 | 822140530 |
| 140 | RUB | | Conduttura | 823560230 |
| 260 | VAL | | Conduttura | 823560032 |
| 260 | VAL | 94TC1/2R,94TC,94TOPTC,94,94TOP,94T,94TOPT,941/2R,94TOP1/2R,94T1/2R,94TOP1/2R,94R,94TOPR,94TCR,94TOPTCR | Conduttura | 823560481 |

RUB= MODELLO CON RUBINETTO, VAL=MODELLO CON VALVOLA

92=92/04FTG, 92R=92/04FTGR, 94=94/04FTG, 941/2R=94/04FTG1/2R, 94R=94/04FTGR, 92T=92/04FTTG, 92TR=92/04FTTGR, 92TC=92/04FTTGC, 92TCR=92/04FTTGCR, 94T=94/04FTTG, 94T1/2R=94/04FTTG1/2R, 94TC=94/04FTTGC, 94TC1/2R=94/04FTTGC1/2R, 94TCR=94/04FTTGCR, 92TOP=92/04TFTG, 92TOPR=92/04TFTGR, 94TOP=94/04TFTG, 94TOP1/2R=94/04TFTG1/2R, 94TOPR=94/04TFTGR, 92TOPT=92/04TFTTG, 92TOPTR=92/04TFTTGR, 92TOPC=92/04TFTTGC, 92TOPTCR=92/04TFTTGCR, 94TOPT=94/04TFTTG, 94TOPT1/2R=94/04TFTTG1/2R, 94TOPTC=94/04TFTTGC, 94TOPTC1/2R=94/04TFTTGC1/2R, 94TOPTCR=94/04TFTTGCR