



## FRY-TOP A GAS Serie 900

MODELLO CON RUBINETTO  
MODELLO CON VALVOLA

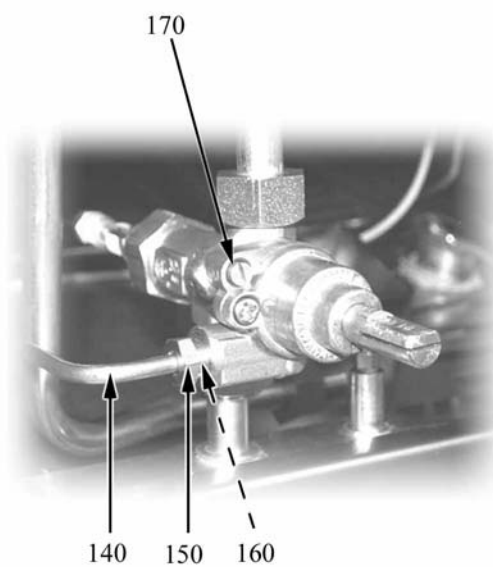
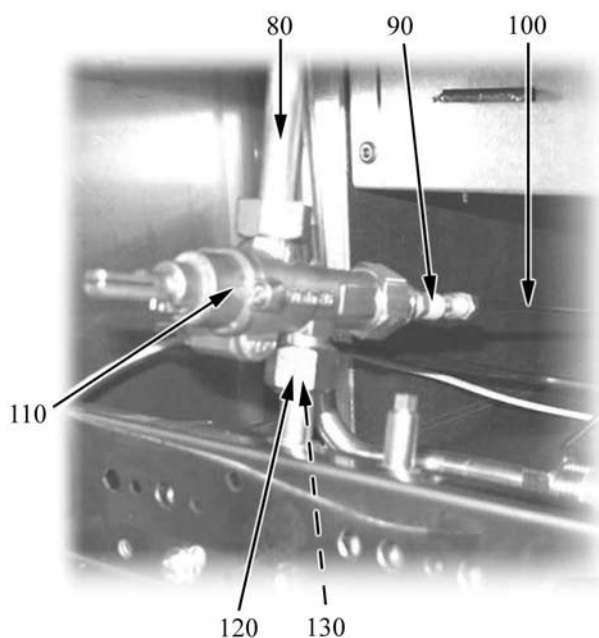
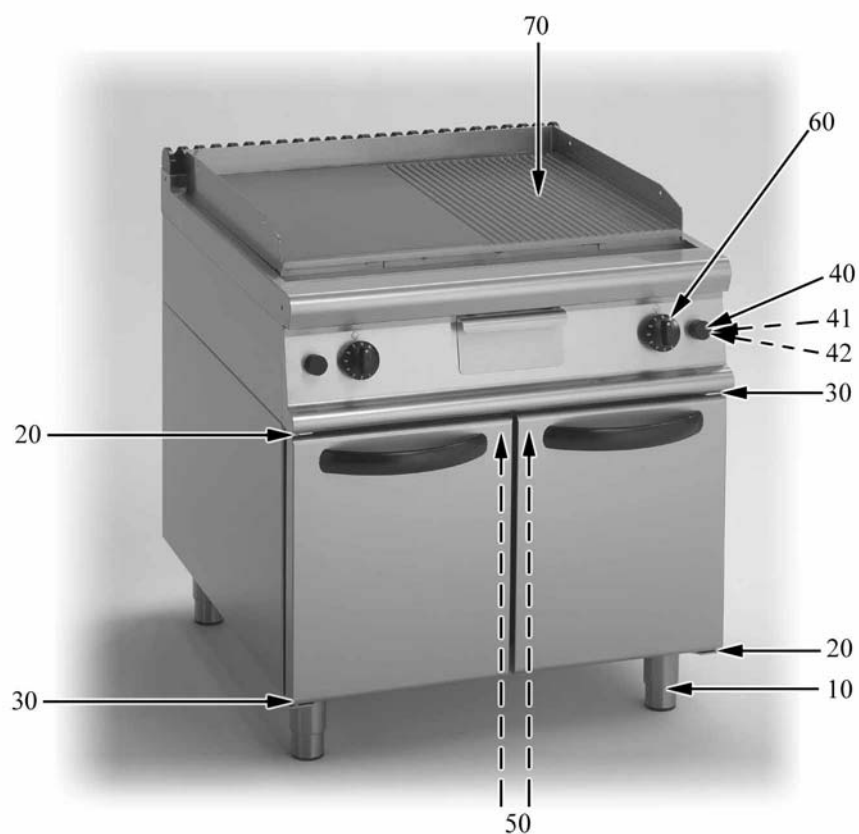
TIPO: 92/04FTG, 92/04FTGR, 94/04FTG, 94/04FTG1/2R, 94/04FTGR, 92/04FTTG,  
92/04FTTGR, 92/04FTTGC, 92/04FTTGCGR, 94/04FTTG, 94/04FTTG1/2R, 94/04FTTGC,  
94/04FTTGC1/2R, 94/04FTTGCGR, 92/04TFTG, 92/04TFTGR, 94/04TFTG, 94/04TFTG1/2R,  
94/04TFTGR, 92/04TFTTG, 92/04TFTTGR, 92/04TFTTGC, 92/04TFTTGCGR, 94/04TFTTG,  
94/04TFTTG1/2R, 94/04TFTTGC, 94/04TFTTGC1/2R, 94/04TFTTGCGR

---

### Parti di ricambio

---





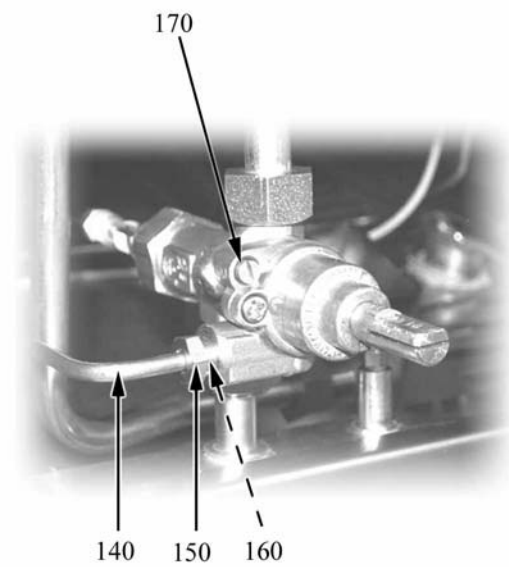
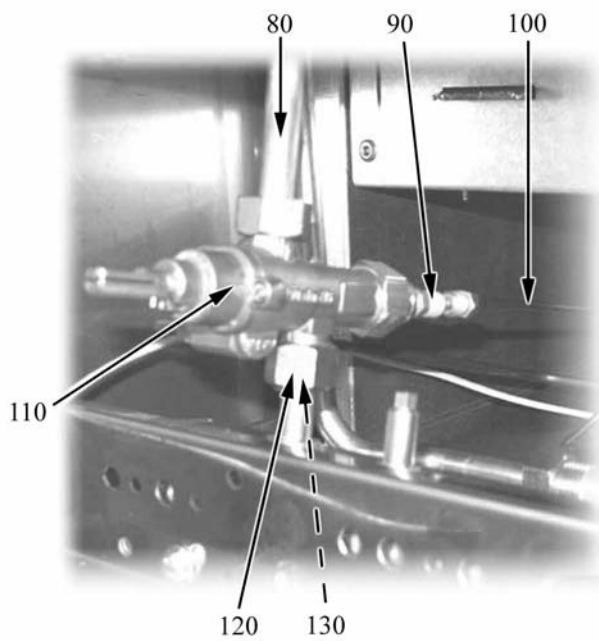
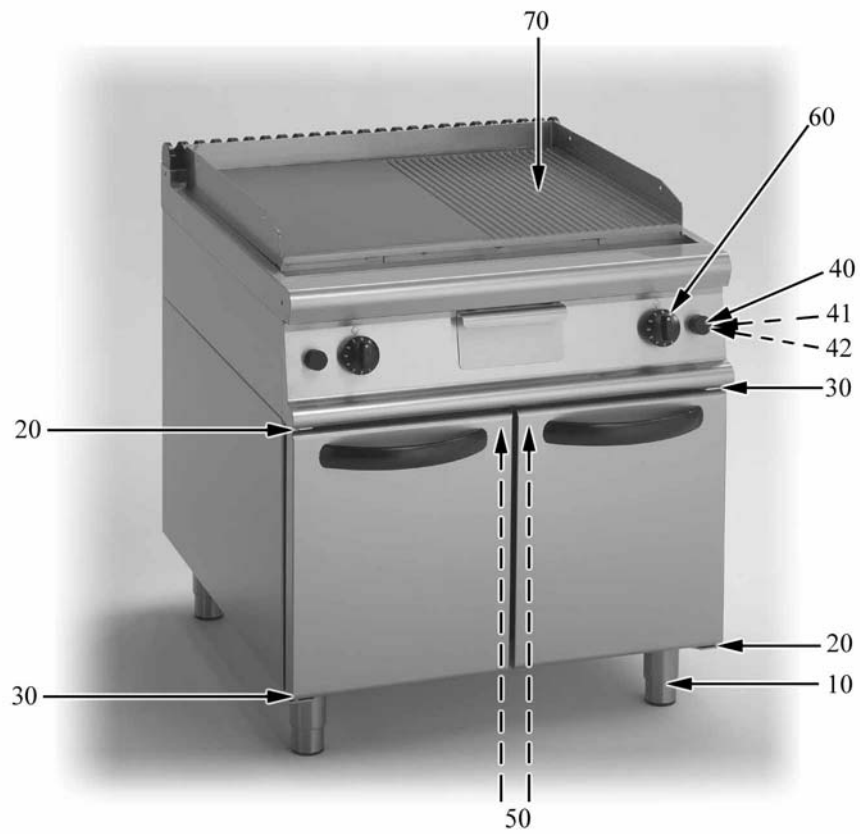
## Parti di ricambio

| ID                                       | Modello | Tipo  | Descrizione  | Codici    |
|--|---------|---|--|-----------|
| <b>Module: Parti esterne e rubinetto</b> |         |   |  |           |
| 10                                       |         |   | Piedino  | 826490142 |
| 20                                       |         |   | Cerniera inferiore destra superiore sinistra porta | 826410020 |
| 30                                       |         |   | Cerniera inferiore sinistra superiore destra porta | 826410010 |
| 40                                       |         |   | Accensione piezoelettrica                          | 6A041105  |
| 41                                       |         |   | Rondella   | 822160540 |
| 42                                       |         |   | Cappuccio  | 826630420 |
| 50                                       |         |   | Magnete  | 826900011 |
| 60                                       | RUB     |   | Manopola cucina gas nera                           | 2599200   |
| 60                                       | VAL     |   | Manopola nera per forno e frytop gas               | 2599202   |
| 70                                       | VAL     | 94TC1/2R  | Piastra  | 826470010 |
| 70                                       | VAL     | 94TC,94TOPTC  | Piastra  | 826470020 |
| 70                                       | VAL     | 92TC  | Piastra  | 826470050 |
| 70                                       |         | 94,94TOP,94T,94TOPT   | Piastra  | 826470150 |
| 70                                       |         | 92,92TOP,92T,92TOPT   | Piastra  | 826470160 |
| 70                                       |         | 92R,92TR,92T,92TOPT   | Piastra  | 826470230 |
| 70                                       |         | 941/2R,94TOP1/2R,94T1/2R,94TOP1/2R                                | Piastra  | 826470240 |
| 70                                       |         | 94R,94TOPR  | Piastra  | 826470540 |
| 70                                       | VAL     | 92TCR,92TOPTCR  | Piastra  | 826470570 |
| 70                                       | VAL     | 94TCR,94TOPTCR  | Piastra  | 826470580 |
| 80                                       | RUB     | 94,94TOP,94T,94TOPT,941/2R,94TOP1/2R,94T1/2R,94TOP1/2R,94R,94TOPR | Conduttura destra                                  | 823560511 |
| 80                                       | RUB     | 94,94TOP,94T,94TOPT,941/2R,94TOP1/2R,94T1/2R,94TOP1/2R,94R,94TOPR | Conduttura destra Gas Citta                        | 2515176   |
| 80                                       | RUB     |   | Conduttura sinistra                                | 823560213 |
| 80                                       | RUB     |   | Conduttura sinistra Gas Citta                      | 2515175   |
| 90                                       | RUB     |   | Raccordo   | 6A013401  |
| 100                                      | RUB     |   | Termocoppia  | 6A011904  |
| 100                                      | VAL     | 94TC1/2R,94TC,94TOPTC,92TC,94TCR,94TOPTCR                         | Termocoppia  | 6A011909  |
| 110                                      | RUB     |   | Rubinetto  | 6A011490  |
| 110                                      | RUB     |   | Rubinetto Gas Citta                                | 6A011490  |

RUB= MODELLO CON RUBINETTO, VAL=MODELLO CON VALVOLA

92=92/04FTG, 92R=92/04FTGR, 94=94/04FTG, 941/2R=94/04FTG1/2R, 94R=94/04FTGR, 92T=92/04FTTG, 92TR=92/04FTTGR, 92TC=92/04FTTGC, 92TCR=92/04FTTGCR, 94T=94/04FTTG, 94T1/2R=94/04FTTG1/2R, 94TC=94/04FTTGC, 94TC1/2R=94/04FTTGC1/2R, 94TCR=94/04FTTGCR, 92TOP=92/04TFTG, 92TOPR=92/04TFTGR, 94TOP=94/04TFTG, 94TOP1/2R=94/04TFTG1/2R, 94TOPR=94/04TFTGR, 92TOPT=92/04TFTTG, 92TOPTR=92/04TFTTGR, 92TOPC=92/04TFTTGC, 92TOPTCR=92/04TFTTGCR, 94TOPT=94/04TFTTG, 94TOPT1/2R=94/04TFTTG1/2R, 94TOPTC=94/04TFTTGC, 94TOPTC1/2R=94/04TFTTGC1/2R, 94TOPTCR=94/04TFTTGCR





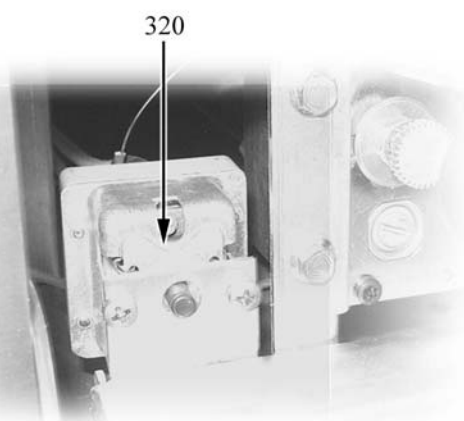
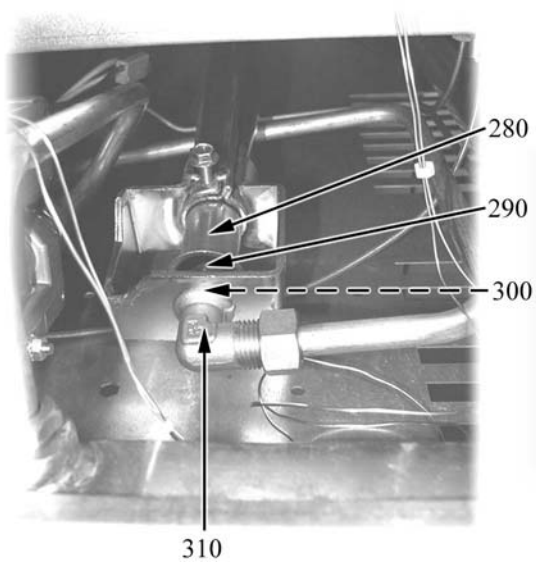
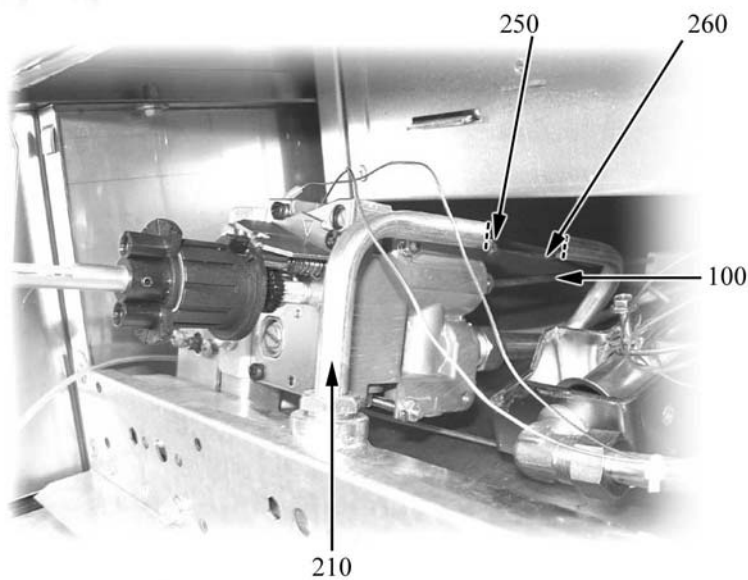
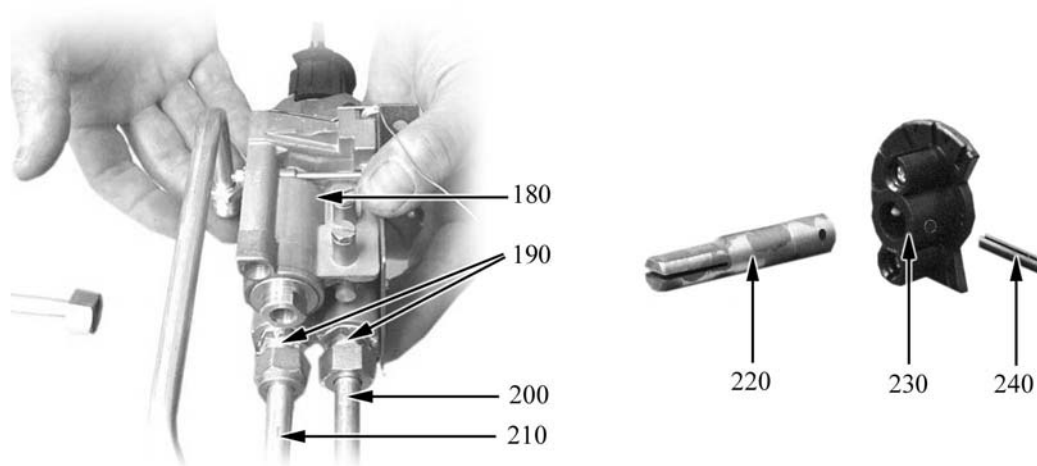
## Parti di ricambio

| ID                                       | Modello | Tipo  | Descrizione | Codici    |
|--|---------|---|-------------|-----------|
| <b>Module: Parti esterne e rubinetto</b> |         |   |             |           |
| 120                                      | RUB     |   | Dado        | 6A011850  |
| 130                                      | RUB     |   | Bicono      | 6A011480  |
| 140                                      | RUB     | 94,94TOP,94T,94TOPT,941/2R,94TOP1/2R,<br>94T1/2R,94TOP1/2R,94R,94TOPR | Conduittura | 823560490 |
| 140                                      | RUB     |   | Conduittura | 823560230 |
| 150                                      | RUB     |   | Dado        | 6A016110  |
| 160                                      | RUB     |   | Bicono      | 6A016120  |
| 170                                      | RUB     |   | By-pass 90  | 822450260 |
| 170                                      | RUB     |   | By-pass 80  | 822450240 |
| 170                                      | RUB     |   | By-pass 135 | 822450300 |
| 170                                      | RUB     |   | By-pass 160 | 822450310 |
| 170                                      | RUB     |   | By-pass 125 | 822450690 |
| 170                                      | RUB     |   | By-pass 95  | 2510378   |

RUB= MODELLO CON RUBINETTO, VAL=MODELLO CON VALVOLA

92=92/04FTG, 92R=92/04FTGR, 94=94/04FTG, 941/2R=94/04FTG1/2R, 94R=94/04FTGR, 92T=92/04FTTG,  
92TR=92/04FTTGR, 92TC=92/04FTTGC, 92TCR=92/04FTTGCR, 94T=94/04FTTG, 94T1/2R=94/04FTTG1/2R,  
94TC=94/04FTTGC, 94TC1/2R=94/04FTTGC1/2R, 94TCR=94/04FTTGCR, 92TOP=92/04TFTG,  
92TOPR=92/04TFTGR, 94TOP=94/04TFTG, 94TOP1/2R=94/04TFTG1/2R, 94TOPR=94/04TFTGR,  
92TOPT=92/04TFTTG, 92TOPTR=92/04TFTTGR, 92TOPC=92/04TFTTGC, 92TOPTCR=92/04TFTTGCR,  
94TOPT=94/04TFTTG, 94TOPT1/2R=94/04TFTTG1/2R, 94TOPTC=94/04TFTTGC, 94TOPTC1/2R=94/04TFTTGC1/2R,  
94TOPTCR=94/04TFTTGCR



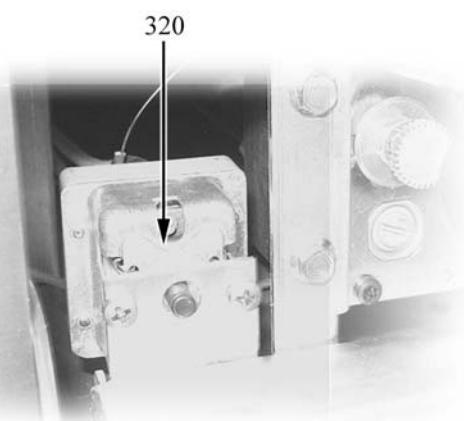
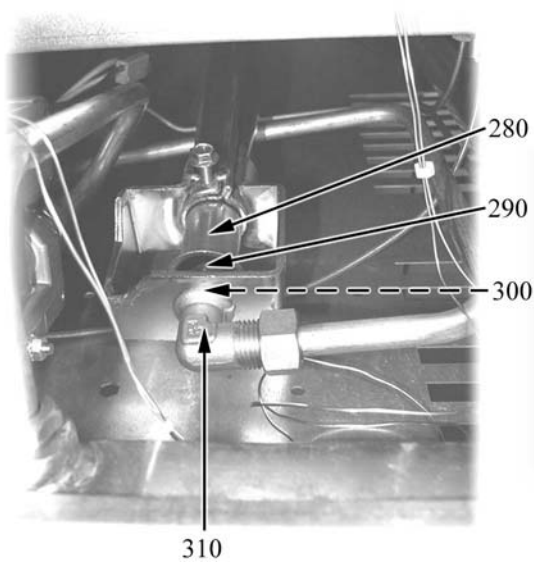
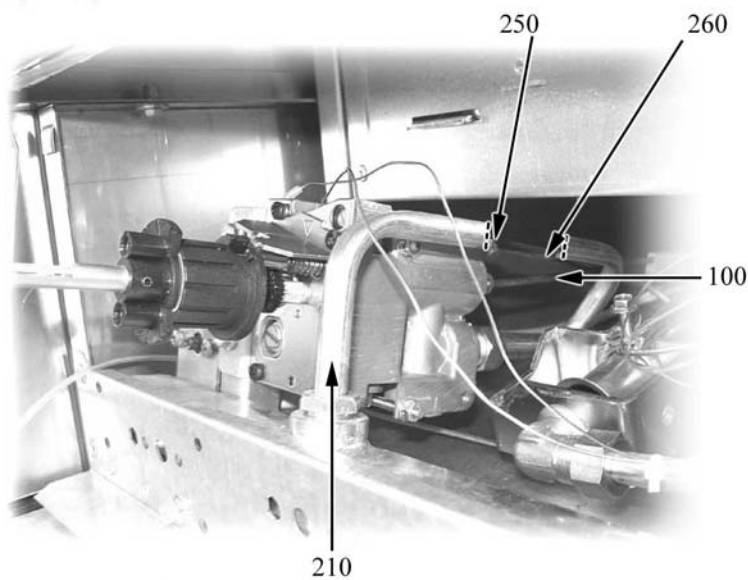
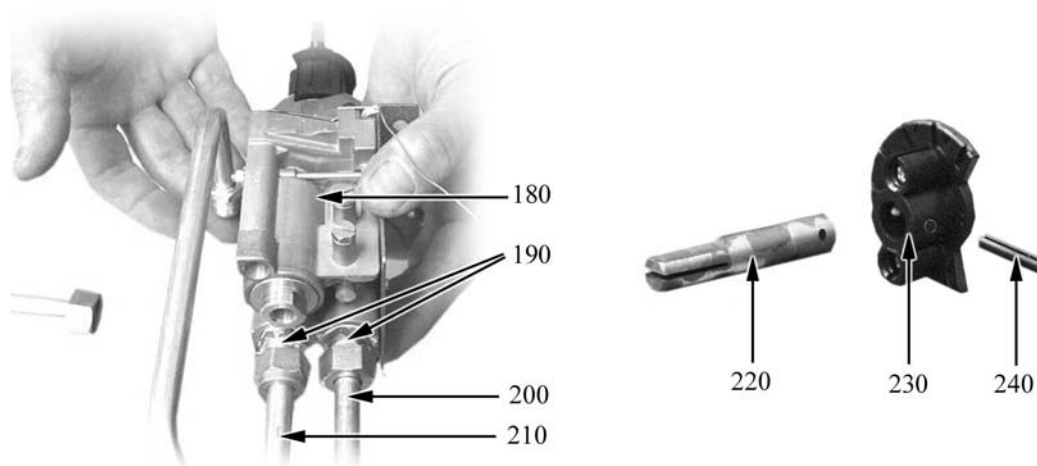


## Parti di ricambio

| ID  | Modello | Tipo   | Descrizione      | Codici    |
|---|---------|--|------------------|-----------|
| <b>Module:Valvola e termostato di sicurezza</b> |         |  |                  |           |
| 180   | VAL     |  | Valvola          | 8219950   |
| 190   | VAL     |  | Raccordo         | 822450170 |
| 200   | VAL     |  | Conduttura       | 823560052 |
| 200   | VAL     | 94TC1/2R,94TC,94TOPTC,94,94TOP,94T,94TOPT,941/2R,94TOP1/2R,94T1/2R,94TOP1/2R,94R,94TOPR,94TCR,94TOPTCR | Conduttura       | 823560471 |
| 210   | VAL     |  | Conduttura       | 823560022 |
| 220   | VAL     |  | Attacco manopola | 822160011 |
| 230   | VAL     |  | Flangia          | 824710060 |
| 240   | VAL     |  | Spina elastica   | 6A011405  |
| 250   | VAL     |  | Raccordo bicono  | 6A011608  |
| 260   | VAL     |  | Conduttura       | 823560032 |
| 260   | VAL     | 94TC1/2R,94TC,94TOPTC,94,94TOP,94T,94TOPT,941/2R,94TOP1/2R,94T1/2R,94TOP1/2R,94R,94TOPR,94TCR,94TOPTCR | Conduttura       | 823560481 |
| 100   |         |  | Termocoppia      | 6A011904  |
| 100   | VAL     | 94TC1/2R,94TC,94TOPTC,92TC,94TCR,94TOPTCR  | Termocoppia      | 6A011909  |
| 280   |         |  | Boccola          | 822120040 |

RUB= MODELLO CON RUBINETTO, VAL=MODELLO CON VALVOLA

92=92/04FTG, 92R=92/04FTGR, 94=94/04FTG, 941/2R=94/04FTG1/2R, 94R=94/04FTGR, 92T=92/04FTTG, 92TR=92/04FTTGR, 92TC=92/04FTTGC, 92TCR=92/04FTTGCR, 94T=94/04FTTG, 94T1/2R=94/04FTTG1/2R, 94TC=94/04FTTGC, 94TC1/2R=94/04FTTGC1/2R, 94TCR=94/04FTTGCR, 92TOP=92/04FTTG, 92TOPR=92/04FTTGR, 94TOP=94/04FTTG, 94TOP1/2R=94/04FTTG1/2R, 94TOPR=94/04FTTGR, 92TOPT=92/04FTTGC, 92TOPTR=92/04FTTGR, 92TOPC=92/04FTTGC, 92TOPTCR=92/04FTTGCGR, 94TOPT=94/04FTTGC, 94TOPT1/2R=94/04FTTGC1/2R, 94TOPTC=94/04FTTGC, 94TOPTC1/2R=94/04FTTGC1/2R, 94TOPTCR=94/04FTTGCGR





## Parti di ricambio

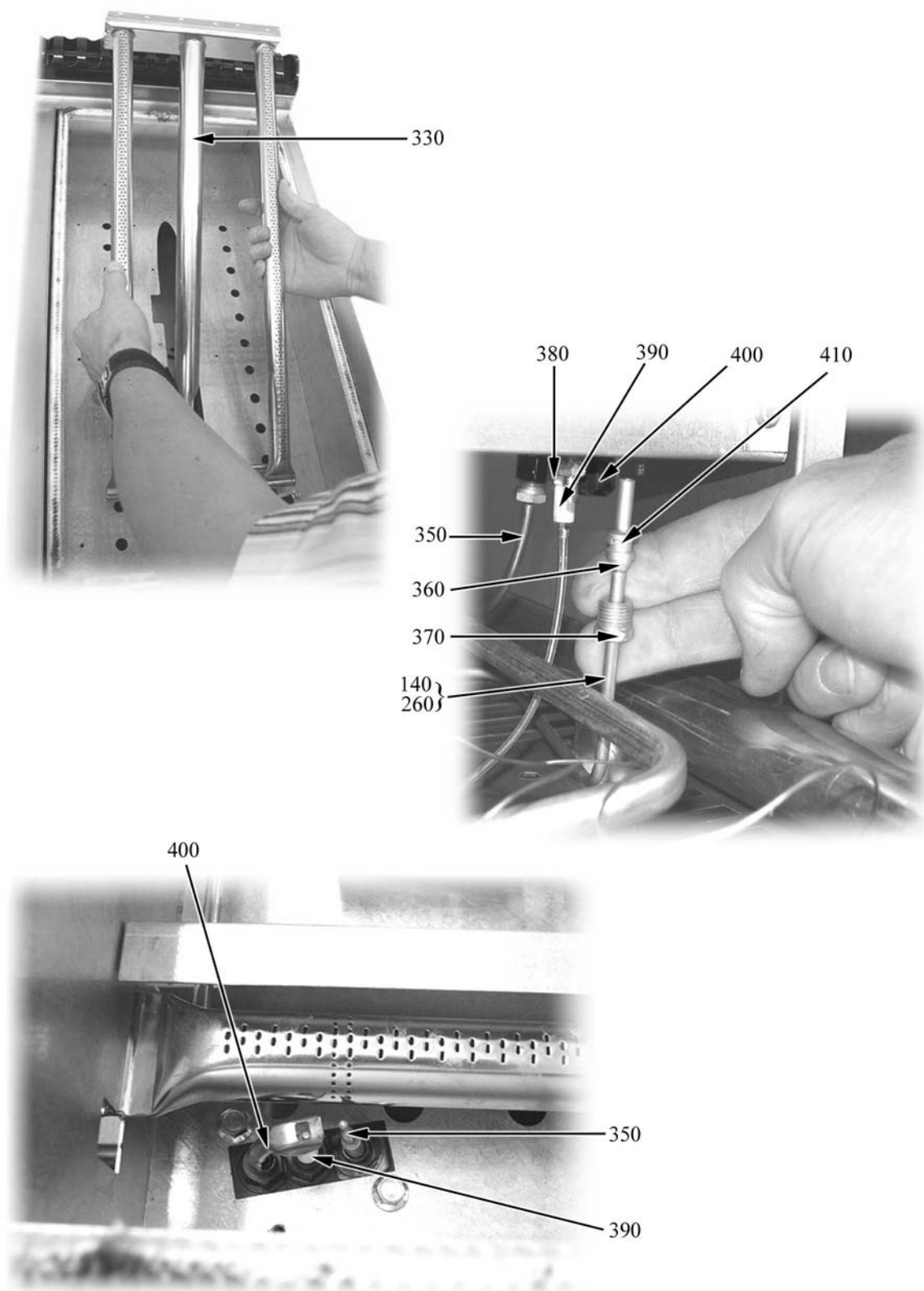
| ID  | Modello | Tipo                                      | Descrizione          | Codici    |
|---|---------|---|----------------------|-----------|
| <b>Module:Valvola e termostato di sicurezza</b> |         |   |                      |           |
| 290   |         |   | Kit ugelli IT-DE     | 861310130 |
| -   |         |   | Ugello BA 145        |           |
| -   |         |   | Ugello BA 130        |           |
| -   |         |   | Ugello BA 220        |           |
| -   |         |   | Ugello BA 220        |           |
| -   |         |   | Ugello BA 240        |           |
| -   |         |   | Ugello 19            |           |
| -   |         |   | Ugello 27            |           |
| 290   |         |   | Kit ugelli H         | 2592858   |
| -   |         |   | Ugello BA 145        |           |
| -   |         |   | Ugello BA 205        |           |
| -   |         |   | Ugello BA 230        |           |
| -   |         |   | Ugello 19            |           |
| -   |         |   | Ugello 27            |           |
| -   |         |   | Ugello 36            |           |
| 290   |         |   | Kit ugelli Gas Citta | 2592890   |
| -   |         |   | Ugello BA 145        |           |
| -   |         |   | Ugello BA 220        |           |
| -   |         |   | Ugello BA 440        |           |
| -   |         |   | Ugello BA 400        |           |
| -   |         |   | Ugello 19            |           |
| -   |         |   | Ugello 27            |           |
| -   |         |   | Ugello 50            |           |
| 300   |         |   | Dado                 | 822180010 |
| 310   |         |   | Raccordo             | 822450010 |
| 320   | VAL     | 94TC1/2R,94TC,94TOPTC,92TC,94TCR,94TOPTCR | Termostato sicurezza | 826630010 |

RUB= MODELLO CON RUBINETTO, VAL=MODELLO CON VALVOLA

92=92/04FTG, 92R=92/04FTGR, 94=94/04FTG, 941/2R=94/04FTG1/2R, 94R=94/04FTGR, 92T=92/04FTTG, 92TR=92/04FTTGR, 92TC=92/04FTTGC, 92TCR=92/04FTTGCR, 94T=94/04FTTG, 94T1/2R=94/04FTTG1/2R, 94TC=94/04FTTGC, 94TC1/2R=94/04FTTGC1/2R, 94TCR=94/04FTTGCR, 92TOP=92/04TFTG, 92TOPR=92/04TFTGR, 94TOP=94/04TFTG, 94TOP1/2R=94/04TFTG1/2R, 94TOPR=94/04TFTGR, 92TOPT=92/04TFTTG, 92TOPTR=92/04TFTTGR, 92TOPC=92/04TFTTGC, 92TOPTCR=92/04TFTTGCR, 94TOPT=94/04TFTTG, 94TOPT1/2R=94/04TFTTG1/2R, 94TOPTC=94/04TFTTGC, 94TOPTC1/2R=94/04TFTTGC1/2R, 94TOPTCR=94/04TFTTGCR

A=3/N/PE~400/230V 50Hz





## Parti di ricambio

| ID                                | Modello | Tipo   | Descrizione | Codici    |
|-----------------------------------|---------|--|-------------|-----------|
| <b>Module:Bruciatore e pilota</b> |         |  |             |           |
| 330                               |         |  | Bruciatore  | 826390012 |
| 100                               |         |  | Termocoppia | 6A011904  |
| 100                               | VAL     | 94TC1/2R,94TC,94TOPTC,92TC,94TCR,94TOPTCR  | Termocoppia | 6A011909  |
| 360                               |         |  | Bicono      | 822450050 |
| 370                               |         |  | Raccordo    | 822450040 |
| 380                               |         |  | Raccordo    | 6A011707  |
| 390                               |         |  | Candela     | 6A013301  |
| 400                               |         |  | Pilota      | 826920030 |
| 410                               |         |  | Ugello 27   | 6A013107  |
| 410                               |         |  | Ugello 19   | 822140380 |
| 410                               |         |  | Ugello 50   | 6A013108  |
| 410                               |         |  | Ugello 36   | 822140530 |
| 140                               | RUB     |  | Conduttura  | 823560230 |
| 260                               | VAL     |  | Conduttura  | 823560032 |
| 260                               | VAL     | 94TC1/2R,94TC,94TOPTC,94,94TOP,94T,94TOPT,941/2R,94TOP1/2R,94T1/2R,94TOP1/2R,94R,94TOPR,94TCR,94TOPTCR | Conduttura  | 823560481 |

RUB= MODELLO CON RUBINETTO, VAL=MODELLO CON VALVOLA

92=92/04FTG, 92R=92/04FTGR, 94=94/04FTG, 941/2R=94/04FTG1/2R, 94R=94/04FTGR, 92T=92/04FTTG, 92TR=92/04FTTGR, 92TC=92/04FTTGC, 92TCR=92/04FTTGCR, 94T=94/04FTTG, 94T1/2R=94/04FTTG1/2R, 94TC=94/04FTTGC, 94TC1/2R=94/04FTTGC1/2R, 94TCR=94/04FTTGCR, 92TOP=92/04TFTG, 92TOPR=92/04TFTGR, 94TOP=94/04TFTG, 94TOP1/2R=94/04TFTG1/2R, 94TOPR=94/04TFTGR, 92TOPT=92/04TFTTG, 92TOPTR=92/04TFTTGR, 92TOPC=92/04TFTTGC, 92TOPTCR=92/04TFTTGCR, 94TOPT=94/04TFTTG, 94TOPT1/2R=94/04TFTTG1/2R, 94TOPTC=94/04TFTTGC, 94TOPTC1/2R=94/04TFTTGC1/2R, 94TOPTCR=94/04TFTTGCR