

## FRY-TOP A GAS Serie 900

MODELLO CON RUBINETTO  
MODELLO CON VALVOLA

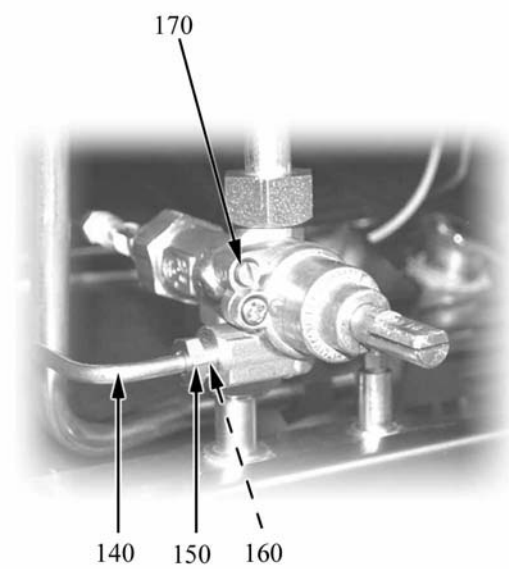
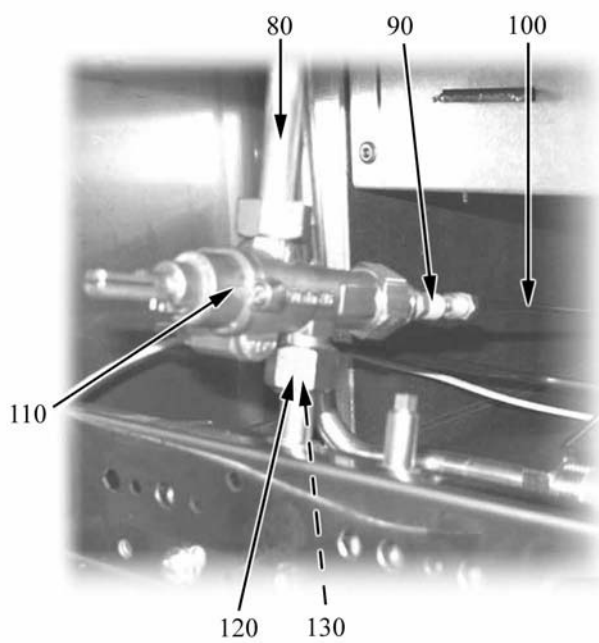
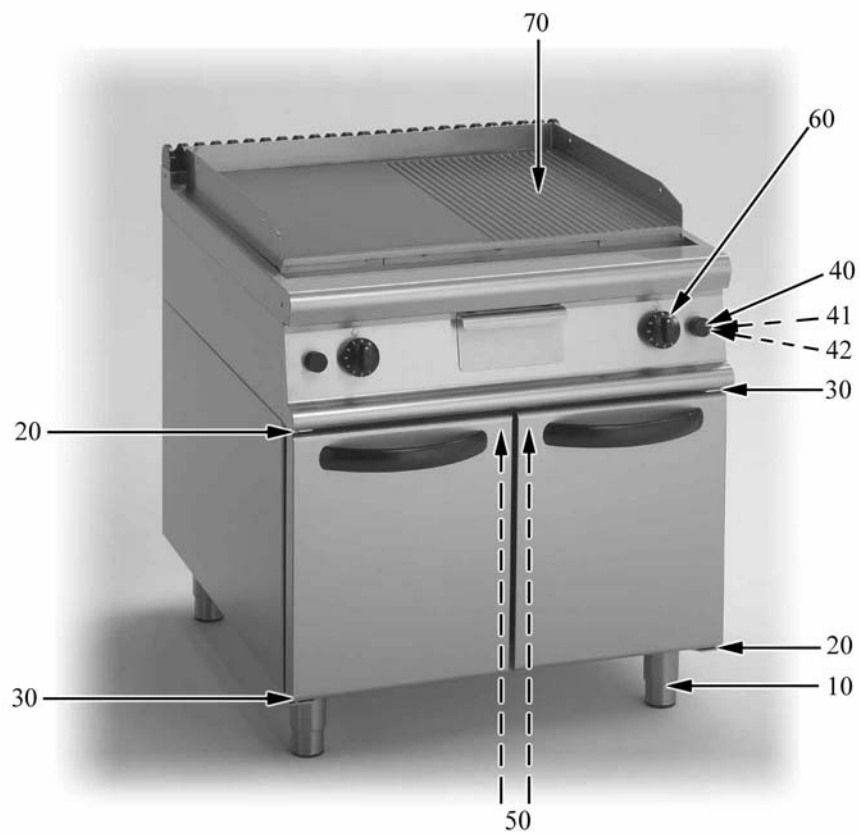
TIPO: 92/04FTG, 92/04FTGR, 94/04FTG, 94/04FTG1/2R, 94/04FTGR, 92/04FTTG,  
92/04FTTGR, 92/04FTTGC, 92/04FTTGCGR, 94/04FTTG, 94/04FTTG1/2R, 94/04FTTGC,  
94/04FTTGC1/2R, 94/04FTTGCGR, 92/04TFTG, 92/04TFTGR, 94/04TFTG, 94/04TFTG1/2R,  
94/04TFTGR, 92/04TFTTG, 92/04TFTTGR, 92/04TFTTGC, 92/04TFTTGCGR, 94/04TFTTG,  
94/04TFTTG1/2R, 94/04TFTTGC, 94/04TFTTGC1/2R, 94/04TFTTGCGR

---

### Parti di ricambio

---





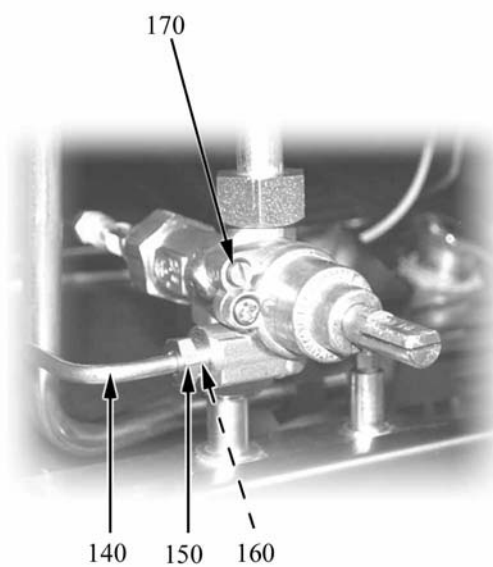
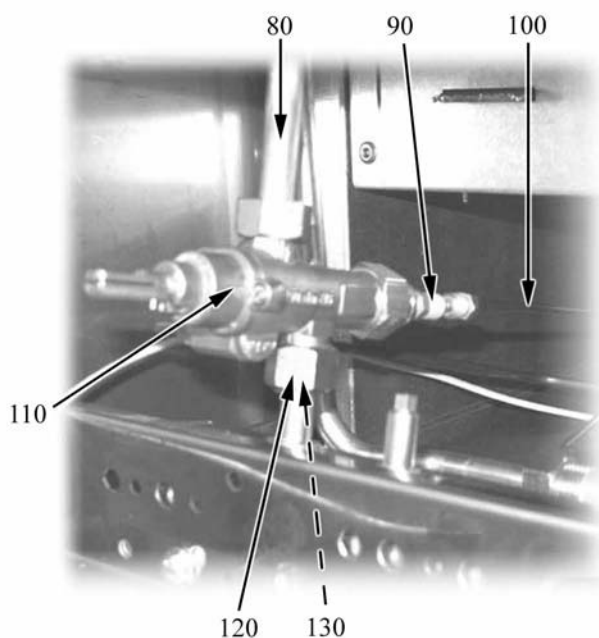
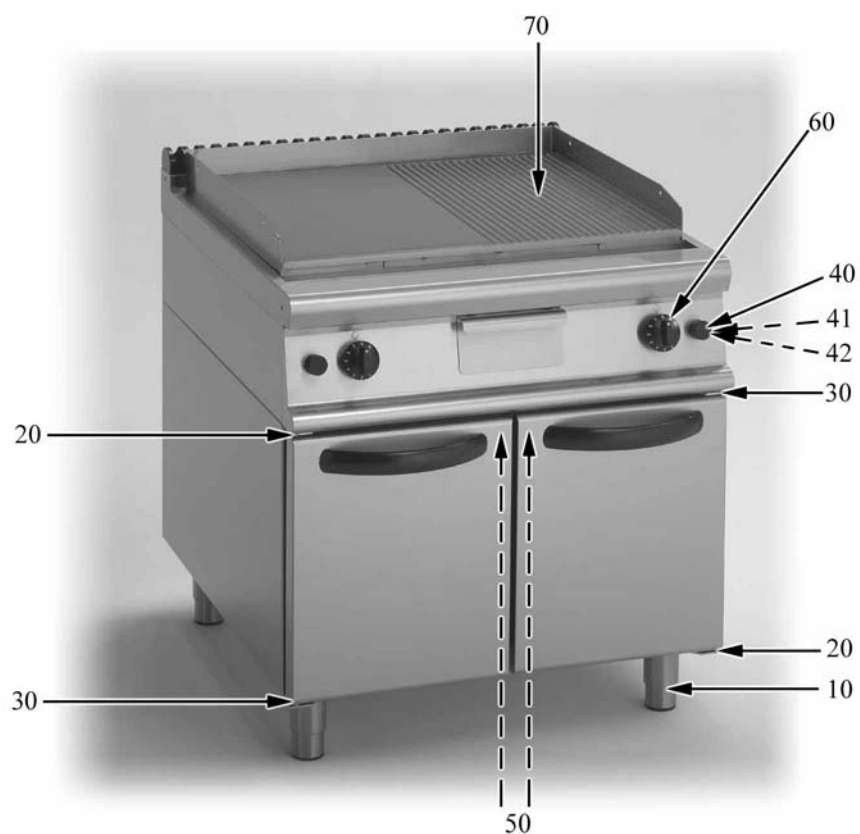
## Parti di ricambio

ID	Modello	Tipo	Descrizione	Codici
<b>Module: Parti esterne e rubinetto</b>				
10			Piedino	826490142
20			Cerniera inferiore destra superiore sinistra porta	826410020
30			Cerniera inferiore sinistra superiore destra porta	826410010
40			Accensione piezoelettrica	6A041105
41			Rondella	822160540
42			Cappuccio	826630420
50			Magnete	826900011
60	RUB		Manopola cucina gas nera	2599200
60	VAL		Manopola nera per forno e frytop gas	2599202
70	VAL	94TC1/2R	Piastra	826470010
70	VAL	94TC,94TOPTC	Piastra	826470020
70	VAL	92TC	Piastra	826470050
70		94,94TOP,94T,94TOPT	Piastra	826470150
70		92,92TOP,92T,92TOPT	Piastra	826470160
70		92R,92TR,92T,92TOPT	Piastra	826470230
70		941/2R,94TOP1/2R,94T1/2R,94TOP1/2R	Piastra	826470240
70		94R,94TOPR	Piastra	826470540
70	VAL	92TCR,92TOPTCR	Piastra	826470570
70	VAL	94TCR,94TOPTCR	Piastra	826470580
80	RUB	94,94TOP,94T,94TOPT,941/2R,94TOP1/2R,94T1/2R,94TOP1/2R,94R,94TOPR	Conduttura destra	823560511
80	RUB	94,94TOP,94T,94TOPT,941/2R,94TOP1/2R,94T1/2R,94TOP1/2R,94R,94TOPR	Conduttura destra Gas Citta	2515176
80	RUB		Conduttura sinistra	823560213
80	RUB		Conduttura sinistra Gas Citta	2515175
90	RUB		Raccordo	6A013401
100	RUB		Termocoppia	6A011904
100	VAL	94TC1/2R,94TC,94TOPTC,92TC,94TCR,94TOPTCR	Termocoppia	6A011909
110	RUB		Rubinetto	6A011490
110	RUB		Rubinetto Gas Citta	6A011490

RUB= MODELLO CON RUBINETTO, VAL=MODELLO CON VALVOLA

92=92/04FTG, 92R=92/04FTGR, 94=94/04FTG, 941/2R=94/04FTG1/2R, 94R=94/04FTGR, 92T=92/04FTTG, 92TR=92/04FTTGR, 92TC=92/04FTTGC, 92TCR=92/04FTTGCR, 94T=94/04FTTG, 94T1/2R=94/04FTTG1/2R, 94TC=94/04FTTGC, 94TC1/2R=94/04FTTGC1/2R, 94TCR=94/04FTTGCR, 92TOP=92/04TFTG, 92TOPR=92/04TFTGR, 94TOP=94/04TFTG, 94TOP1/2R=94/04TFTG1/2R, 94TOPR=94/04TFTGR, 92TOPT=92/04TFTTG, 92TOPTR=92/04TFTTGR, 92TOPC=92/04TFTTGC, 92TOPTCR=92/04TFTTGCR, 94TOPT=94/04TFTTG, 94TOPT1/2R=94/04TFTTG1/2R, 94TOPTC=94/04TFTTGC, 94TOPTC1/2R=94/04TFTTGC1/2R, 94TOPTCR=94/04TFTTGCR





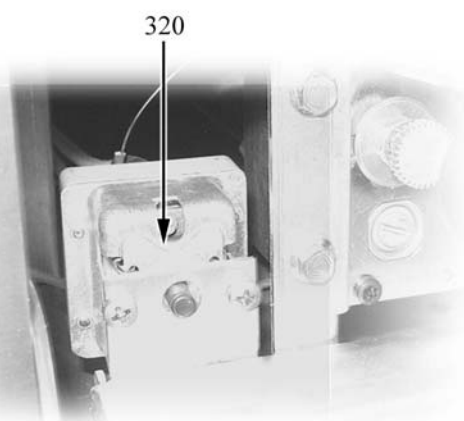
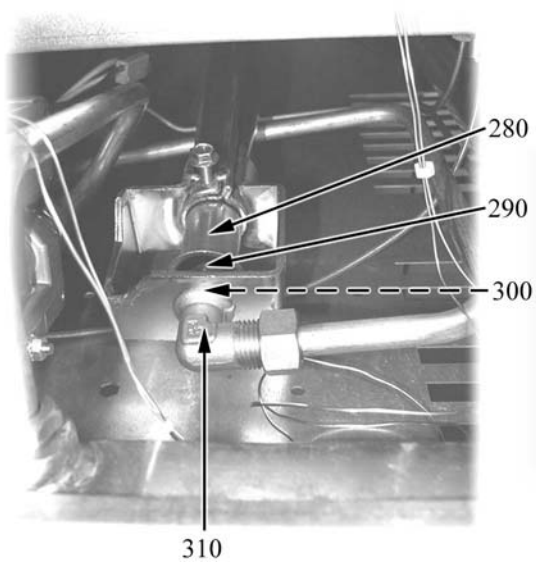
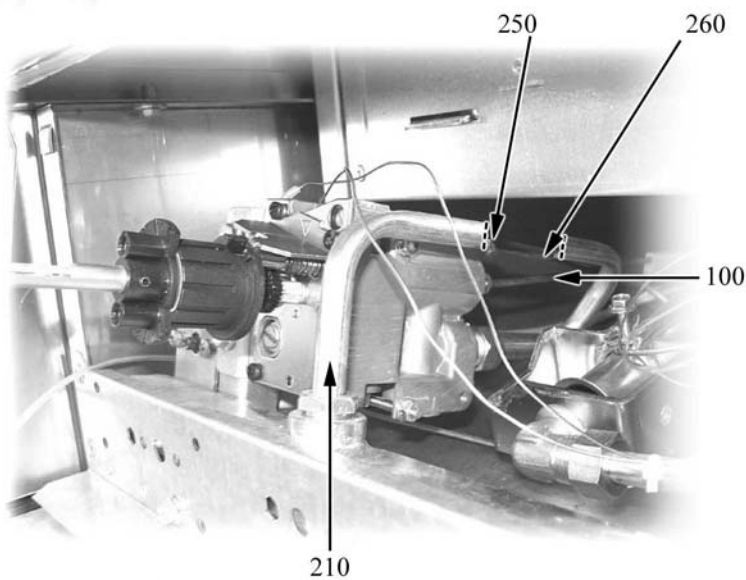
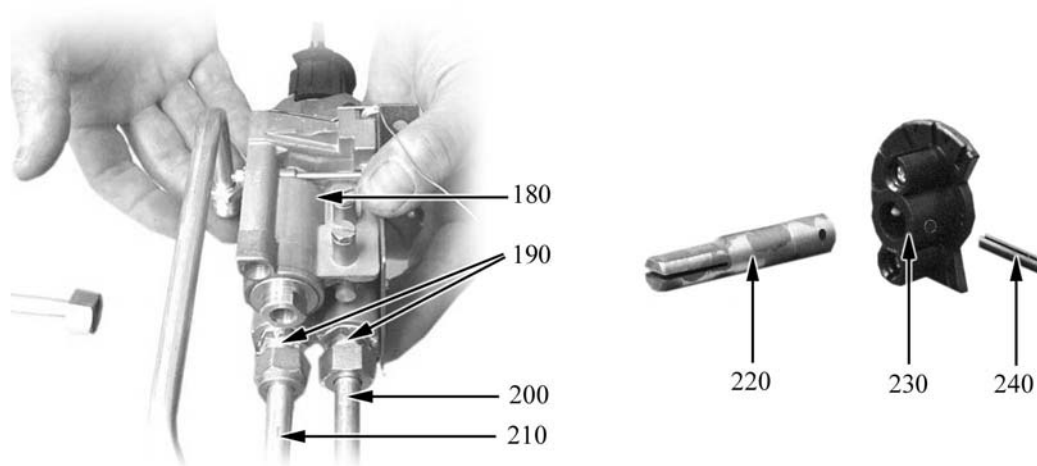
## Parti di ricambio

ID	Modello	Tipo	Descrizione	Codici
<b>Module: Parti esterne e rubinetto</b>				
120	RUB		Dado	6A011850
130	RUB		Bicono	6A011480
140	RUB	94,94TOP,94T,94TOPT,941/2R,94TOP1/2R, 94T1/2R,94TOP1/2R,94R,94TOPR	Conduittura	823560490
140	RUB		Conduittura	823560230
150	RUB		Dado	6A016110
160	RUB		Bicono	6A016120
170	RUB		By-pass 90	822450260
170	RUB		By-pass 80	822450240
170	RUB		By-pass 135	822450300
170	RUB		By-pass 160	822450310
170	RUB		By-pass 125	822450690
170	RUB		By-pass 95	2510378

RUB= MODELLO CON RUBINETTO, VAL=MODELLO CON VALVOLA

92=92/04FTG, 92R=92/04FTGR, 94=94/04FTG, 941/2R=94/04FTG1/2R, 94R=94/04FTGR, 92T=92/04FTTG,  
92TR=92/04FTTGR, 92TC=92/04FTTGC, 92TCR=92/04FTTGCR, 94T=94/04FTTG, 94T1/2R=94/04FTTG1/2R,  
94TC=94/04FTTGC, 94TC1/2R=94/04FTTGC1/2R, 94TCR=94/04FTTGCR, 92TOP=92/04FTTG,  
92TOPR=92/04FTTGR, 94TOP=94/04FTTG, 94TOP1/2R=94/04FTTG1/2R, 94TOPR=94/04FTTGR,  
92TOPT=92/04FTTTG, 92TOPTR=92/04FTTTGR, 92TOPC=92/04FTTTGC, 92TOPTCR=92/04FTTTGCR,  
94TOPT=94/04FTTTG, 94TOPT1/2R=94/04FTTTG1/2R, 94TOPTC=94/04FTTTGC, 94TOPTC1/2R=94/04FTTTGC1/2R,  
94TOPTCR=94/04FTTTGCR





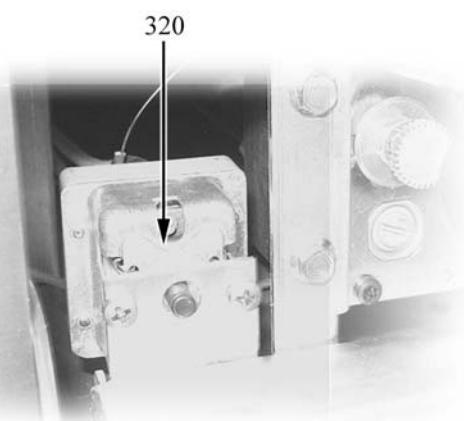
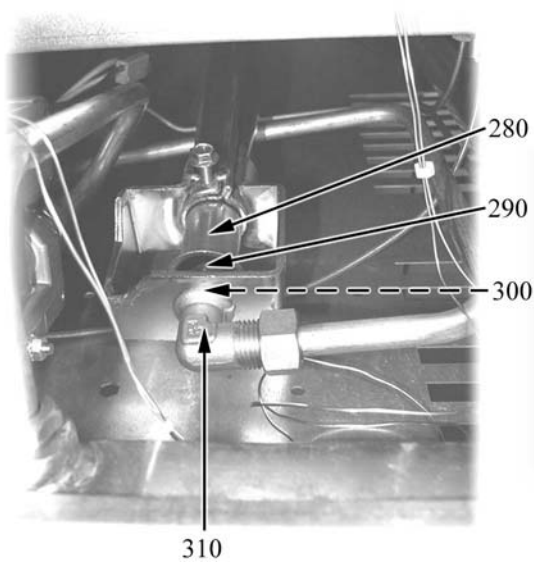
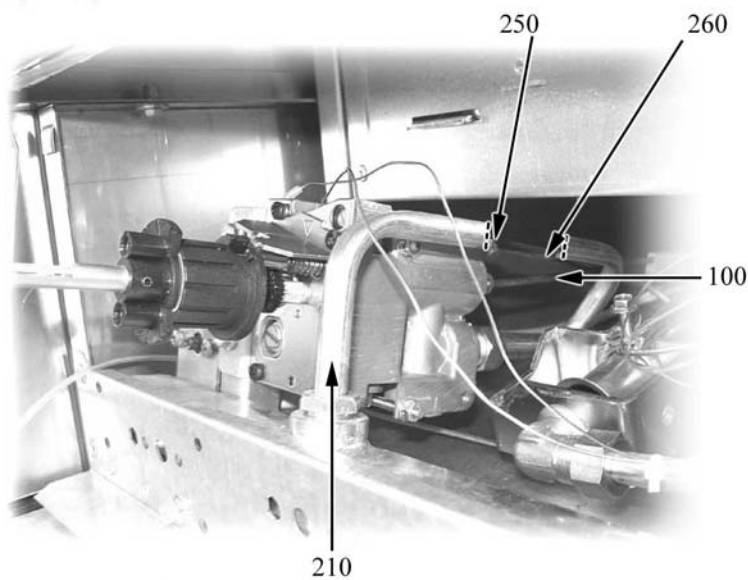
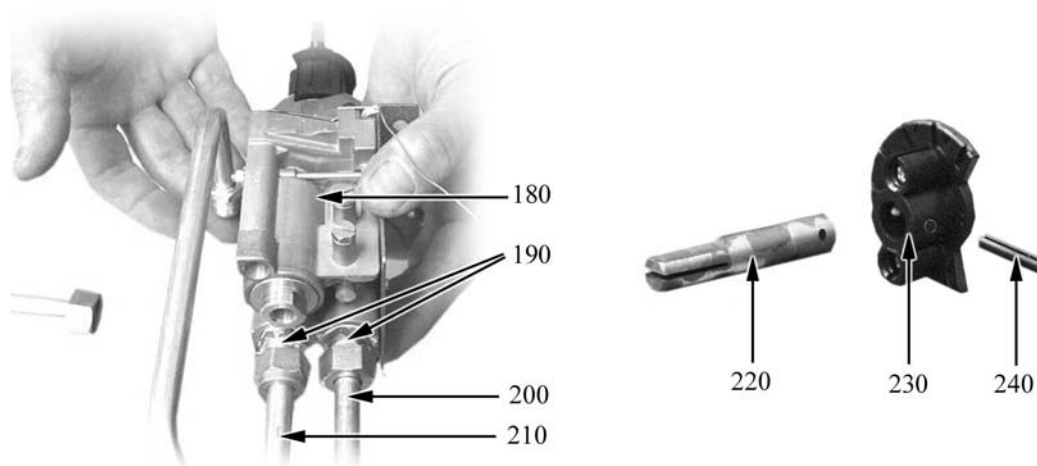
## Parti di ricambio

ID	Modello	Tipo	Descrizione	Codici
<b>Module:Valvola e termostato di sicurezza</b>				
180	VAL		Valvola	8219950
190	VAL		Raccordo	822450170
200	VAL		Conduttura	823560052
200	VAL	94TC1/2R,94TC,94TOPTC,94,94TOP,94T,94TOPT, 941/2R,94TOP1/2R,94T1/2R, 94TOP1/2R,94R,94TOPR,94TCR,94TOPTCR	Conduttura	823560471
210	VAL		Conduttura	823560022
220	VAL		Attacco manopola	822160011
230	VAL		Flangia	824710060
240	VAL		Spina elastica	6A011405
250	VAL		Raccordo bicono	6A011608
260	VAL		Conduttura	823560032
260	VAL	94TC1/2R,94TC,94TOPTC,94,94TOP,94T,94TOPT, 941/2R,94TOP1/2R,94T1/2R, 94TOP1/2R,94R,94TOPR,94TCR,94TOPTCR	Conduttura	823560481
100			Termocoppia	6A011904
100	VAL	94TC1/2R,94TC,94TOPTC,92TC,94TCR,94TOPTCR	Termocoppia	6A011909
280			Boccola	822120040

RUB= MODELLO CON RUBINETTO, VAL=MODELLO CON VALVOLA

92=92/04FTG, 92R=92/04FTGR, 94=94/04FTG, 941/2R=94/04FTG1/2R, 94R=94/04FTGR, 92T=92/04FTTG,  
92TR=92/04FTTGR, 92TC=92/04FTTGC, 92TCR=92/04FTTGCGR, 94T=94/04FTTG, 94T1/2R=94/04FTTG1/2R,  
94TC=94/04FTTGC, 94TC1/2R=94/04FTTGC1/2R, 94TCR=94/04FTTGCGR, 92TOP=92/04FTTG,  
92TOPR=92/04FTTGR, 94TOP=94/04FTTG, 94TOP1/2R=94/04FTTG1/2R, 94TOPR=94/04FTTGR,  
92TOPT=92/04FTTGC, 92TOPTR=92/04FTTGCGR, 92TOPC=92/04FTTGC, 92TOPTCR=92/04FTTGCGR,  
94TOPT=94/04FTTGC, 94TOPT1/2R=94/04FTTGC1/2R, 94TOPTC=94/04FTTGC, 94TOPTC1/2R=94/04FTTGC1/2R,  
94TOPTCR=94/04FTTGCGR







## Parti di ricambio

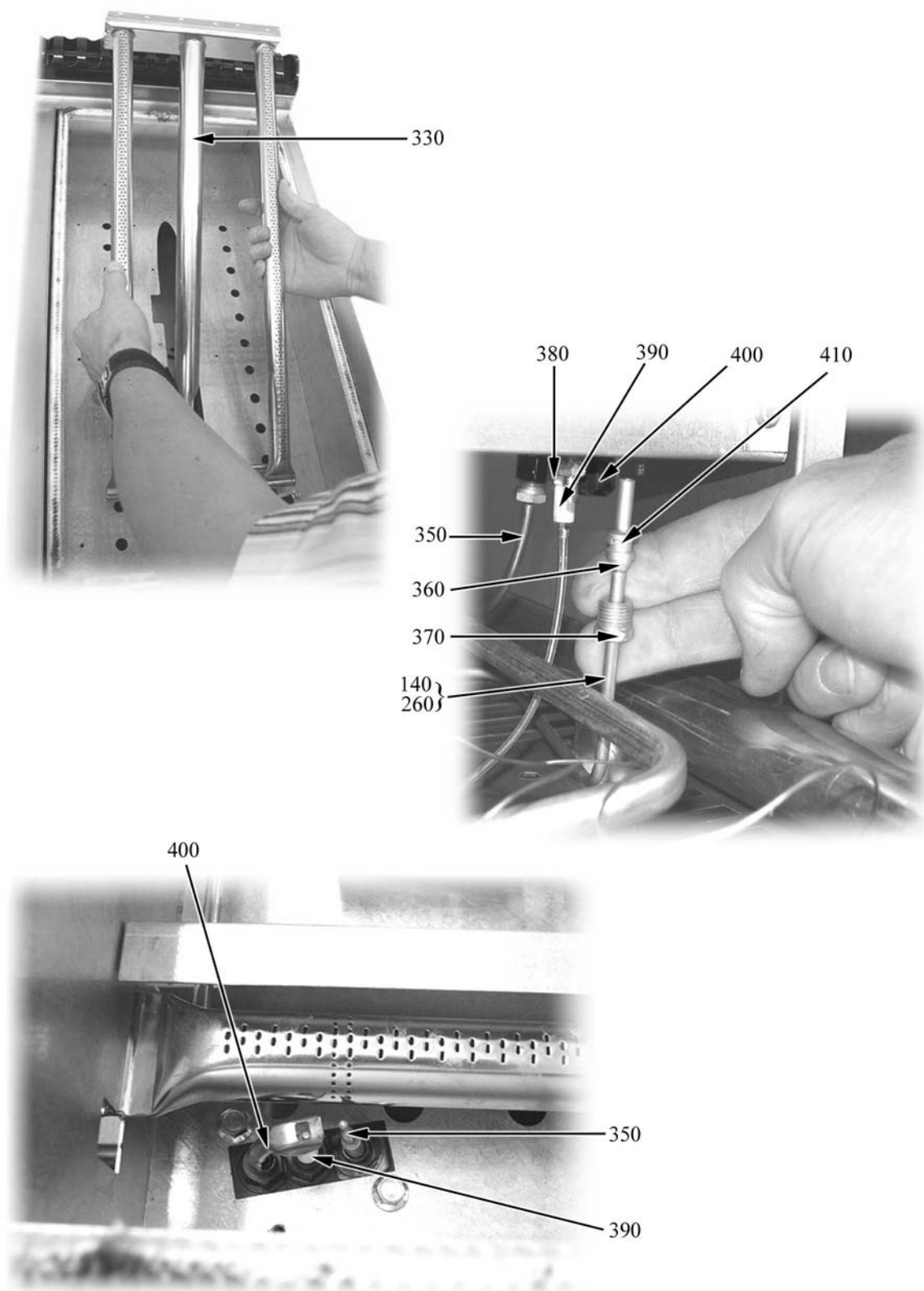
ID	Modello	Tipo	Descrizione	Codici
<b>Module:Valvola e termostato di sicurezza</b>				
290			Kit ugelli IT-DE	861310130
-			Ugello BA 145	
-			Ugello BA 130	
-			Ugello BA 220	
-			Ugello BA 220	
-			Ugello BA 240	
-			Ugello 19	
-			Ugello 27	
290			Kit ugelli H	2592858
-			Ugello BA 145	
-			Ugello BA 205	
-			Ugello BA 230	
-			Ugello 19	
-			Ugello 27	
-			Ugello 36	
290			Kit ugelli Gas Citta	2592890
-			Ugello BA 145	
-			Ugello BA 220	
-			Ugello BA 440	
-			Ugello BA 400	
-			Ugello 19	
-			Ugello 27	
-			Ugello 50	
300			Dado	822180010
310			Raccordo	822450010
320	VAL	94TC1/2R,94TC,94TOPTC,92TC,94TCR,94TOPTCR	Termostato sicurezza	826630010

RUB= MODELLO CON RUBINETTO, VAL=MODELLO CON VALVOLA

92=92/04FTG, 92R=92/04FTGR, 94=94/04FTG, 941/2R=94/04FTG1/2R, 94R=94/04FTGR, 92T=92/04FTTG, 92TR=92/04FTTGR, 92TC=92/04FTTGC, 92TCR=92/04FTTGCR, 94T=94/04FTTG, 94T1/2R=94/04FTTG1/2R, 94TC=94/04FTTGC, 94TC1/2R=94/04FTTGC1/2R, 94TCR=94/04FTTGCR, 92TOP=92/04TFTG, 92TOPR=92/04TFTGR, 94TOP=94/04TFTG, 94TOP1/2R=94/04TFTG1/2R, 94TOPR=94/04TFTGR, 92TOPT=92/04TFTTG, 92TOPTR=92/04TFTTGR, 92TOPC=92/04TFTTGC, 92TOPTCR=92/04TFTTGCR, 94TOPT=94/04TFTTG, 94TOPT1/2R=94/04TFTTG1/2R, 94TOPTC=94/04TFTTGC, 94TOPTC1/2R=94/04TFTTGC1/2R, 94TOPTCR=94/04TFTTGCR

A=3/N/PE~400/230V 50Hz





## Parti di ricambio

ID	Modello	Tipo	Descrizione	Codici
<b>Module:Bruciatore e pilota</b>				
330			Bruciatore	826390012
100			Termocoppia	6A011904
100	VAL	94TC1/2R,94TC,94TOPTC,92TC,94TCR,94TOPTCR	Termocoppia	6A011909
360			Bicono	822450050
370			Raccordo	822450040
380			Raccordo	6A011707
390			Candela	6A013301
400			Pilota	826920030
410			Ugello 27	6A013107
410			Ugello 19	822140380
410			Ugello 50	6A013108
410			Ugello 36	822140530
140	RUB		Conduttura	823560230
260	VAL		Conduttura	823560032
260	VAL	94TC1/2R,94TC,94TOPTC,94,94TOP,94T,94TOPT,941/2R,94TOP1/2R,94T1/2R,94TOP1/2R,94R,94TOPR,94TCR,94TOPTCR	Conduttura	823560481

RUB= MODELLO CON RUBINETTO, VAL=MODELLO CON VALVOLA

92=92/04FTG, 92R=92/04FTGR, 94=94/04FTG, 941/2R=94/04FTG1/2R, 94R=94/04FTGR, 92T=92/04FTTG, 92TR=92/04FTTGR, 92TC=92/04FTTGC, 92TCR=92/04FTTGCR, 94T=94/04FTTG, 94T1/2R=94/04FTTG1/2R, 94TC=94/04FTTGC, 94TC1/2R=94/04FTTGC1/2R, 94TCR=94/04FTTGCR, 92TOP=92/04TFTG, 92TOPR=92/04TFTGR, 94TOP=94/04TFTG, 94TOP1/2R=94/04TFTG1/2R, 94TOPR=94/04TFTGR, 92TOPT=92/04TFTTG, 92TOPTR=92/04TFTTGR, 92TOPC=92/04TFTTGC, 92TOPTCR=92/04TFTTGCR, 94TOPT=94/04TFTTG, 94TOPT1/2R=94/04TFTTG1/2R, 94TOPTC=94/04TFTTGC, 94TOPTC1/2R=94/04TFTTGC1/2R, 94TOPTCR=94/04TFTTGCR