

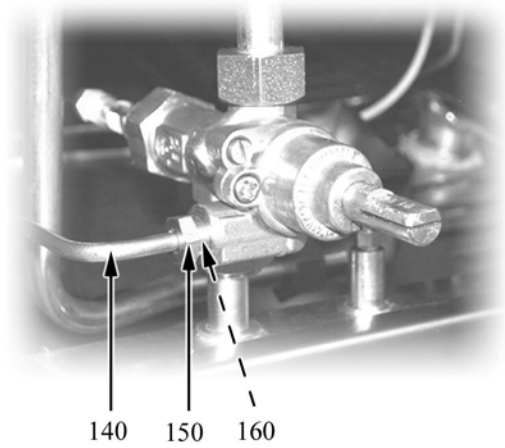
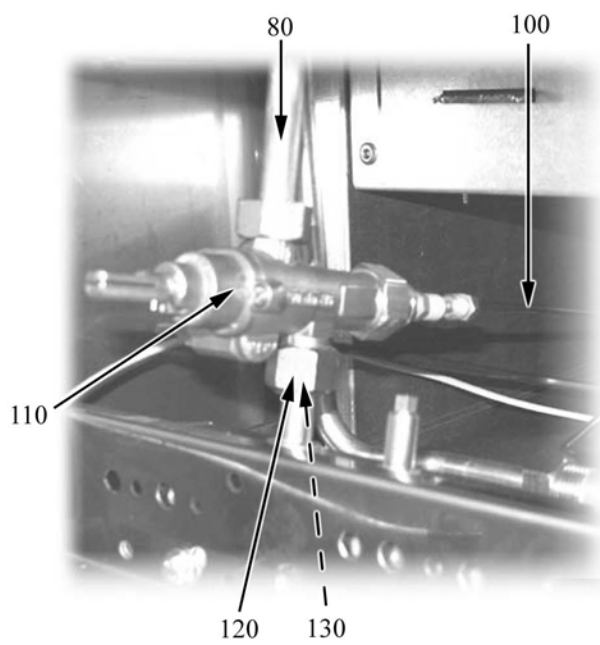
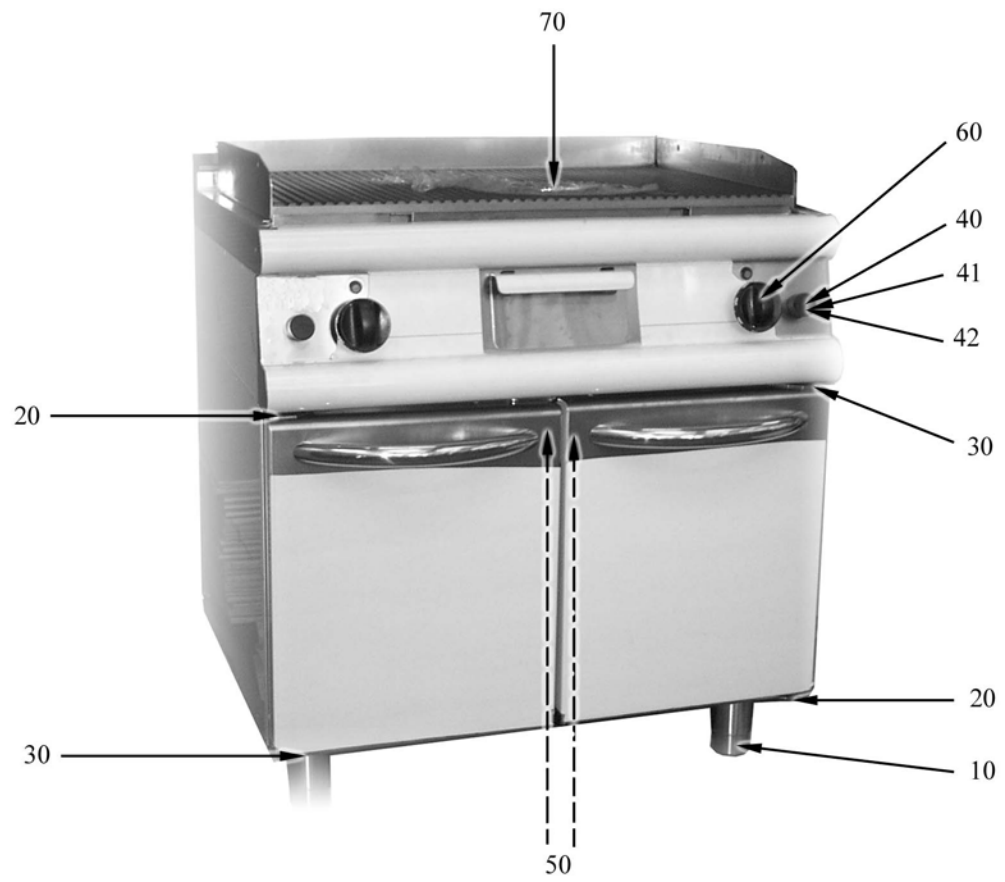
FRY-TOP A GAS Serie 700

MODELLO CON RUBINETTO
MODELLO CON VALVOLA

TIPO: 7FT/G400, 7FTT/G400, 7FTT/G405, 7FT/G410, 7FTT/G410, 7FTT/G415, 7FT/G800,
7FTT/G800, 7FTT/G805, 7FT/G810, 7FTT/G810, 7FTT/G815, 7FT/G820, 7FTT/G820,
7FTT/G825, 7FTV/G400, 7FTTV/G400, 7FTTV/G405, 7FTV/G410, 7FTTV/G410,
7FTTV/G415, 7FTV/G800, 7FTTV/G800, 7FTTV/G800, 7FTTV/G805, 7FTV/G810,
7FTTV/G810, 7FTTV/G815, 7FTV/G820, 7FTTV/G820, 7FTTV/G825, 7FTTF/G800,
7FTTF/GE800, 7FTTF/G820, 7FTTF/GE820, 7FTTF/G805, 7FTTF/GE805, 7FTTF/G825,
7FTTF/GE825

Ricambi





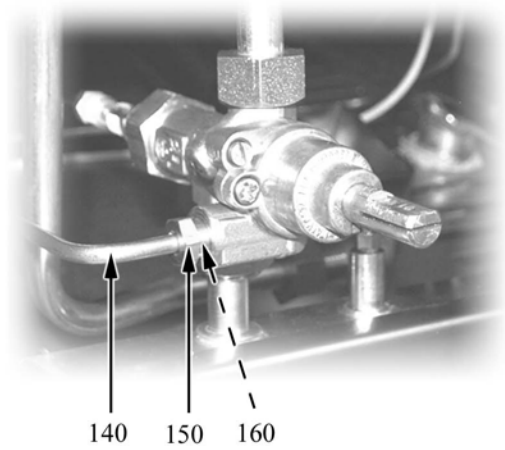
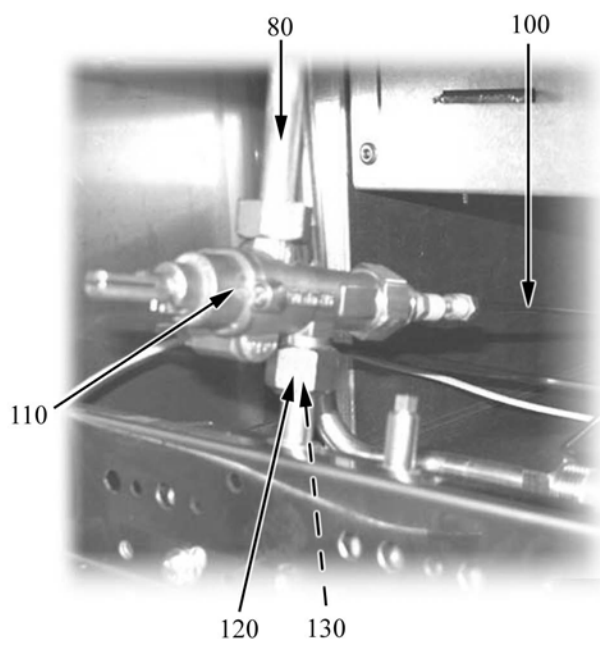
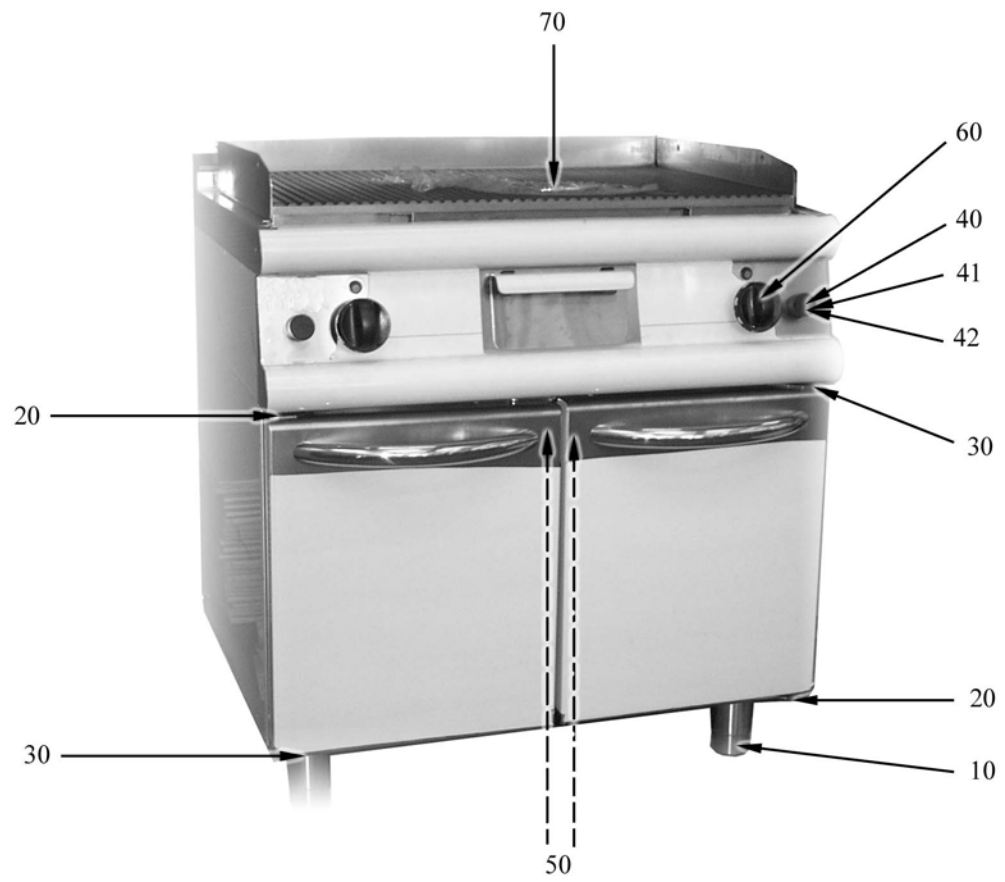
Parti di ricambio

| ID | Modello | Tipo | Voltaggio | Descrizione | Codici del produttore |
|--|---------|--|-----------|--|-----------------------|
| Module: Parti esterne e rubinetto | | | | | |
| 10 | | | | Piedino | 826490142 |
| 20 | | | | Cerniera inferiore destra superiore sinistra porta | 826410020 |
| 30 | | | | Cerniera inferiore sinistra superiore destra porta | 826410010 |
| 40 | | | | Accensione piezoelettrica | 6A041105 |
| 41 | | | | Rondella | 822160540 |
| 42 | | | | Cappuccio | 826630420 |
| 50 | | | | Magnete | 826900011 |
| 60 | RUB | | | Manopola cucina gas nera | 824710100 |
| 70 | VAL | 7FTT825,7FTTFE825 | | Piastra | 41826470100 |
| 70 | VAL | 7FTT805,7FTTV805,7FTTF805,7FTTF805,7FTTFE805 | | Piastra | 41826470060 |
| 70 | VAL | 7FTT405,7FTTV405 | | Piastra | 41826470070 |
| 70 | | 7FT800,7FTV800,7FTV800 | | Piastra | 41826470170 |
| 70 | | 7FT400,7FTV400 | | Piastra | 41826470180 |
| 70 | | 7FT410,7FTV410 | | Piastra | 41826470210 |
| 70 | | 7FT820,7FTV820 | | Piastra | 41826470220 |
| 70 | | 7FT810,7FTV810 | | Piastra | 41826470560 |
| 70 | VAL | 7FTT415,7FTTV415 | | Piastra | 41826470550 |
| 70 | VAL | 7FTT815,7FTTV815 | | Piastra | 826470600 |
| 80 | RUB | | | Conduttura destra | 823560511 |
| 80 | RUB | | | Conduttura destra Gas Città | 2515176 |
| 80 | RUB | | | Conduttura sinistra | 823560213 |
| 90 | RUB | | | Raccordo | 6A013401 |
| 100 | RUB | | | Termocoppia | 826920080 |
| 110 | RUB | | | Rubinetto | 6A011490 |
| 110 | RUB | | | Rubinetto Gas Città | 6A011490 |
| 120 | RUB | | | Dado | 6A011850 |
| 130 | RUB | | | Bicono | 6A011480 |
| 140 | RUB | | | Conduttura | 41823560500 |

RUB= MODELLO CON RUBINETTO, VAL=MODELLO CON VALVOLA

7FT400=7FT/G400, 7FTT400=7FTT/G400, 7FTT405=7FTT/G405, 79FT410=7FT/G410, 7FTT410=7FTT/G410, 7FTT415=7FTT/G415, 7FT800=7FT/G800, 7FTT800=7FTT/G800, 7FTT805=7FTT/G805, 7FT810=7FT/G810, 7FTT810=7FTT/G810, 7FTT815=7FTT/G815, 7FT820=7FT/G820, 7FTT820=7FTT/G820, 7FTT825=7FTT/G825, 7FTV400=7FTV/G400, 7FTTV400=7FTTV/G400, 7FTTV405=7FTTV/G405, 7FTV410=7FTV/G410, 7FTTV410=7FTTV/G410, 7FTTV415=7FTTV/G415, 7FTTV800=7FTTV/G800, 7FTTV805=7FTTV/G805, 7FTV810=7FTV/G810, 7FTTV810=7FTTV/G810, 7FTTV815=7FTTV/G815, 7FTV820=7FTV/G820, 7FTTF800=7FTTF/G800, 7FTTFE800=7FTTF/GE800, 7FTTF820=7FTTF/G820, 7FTTFE820=7FTTF/GE820, 7FTTFE805=7FTTF/GE805, 7FTTFE825=7FTTF/GE825

A=3/N/PE~400/230V 50Hz



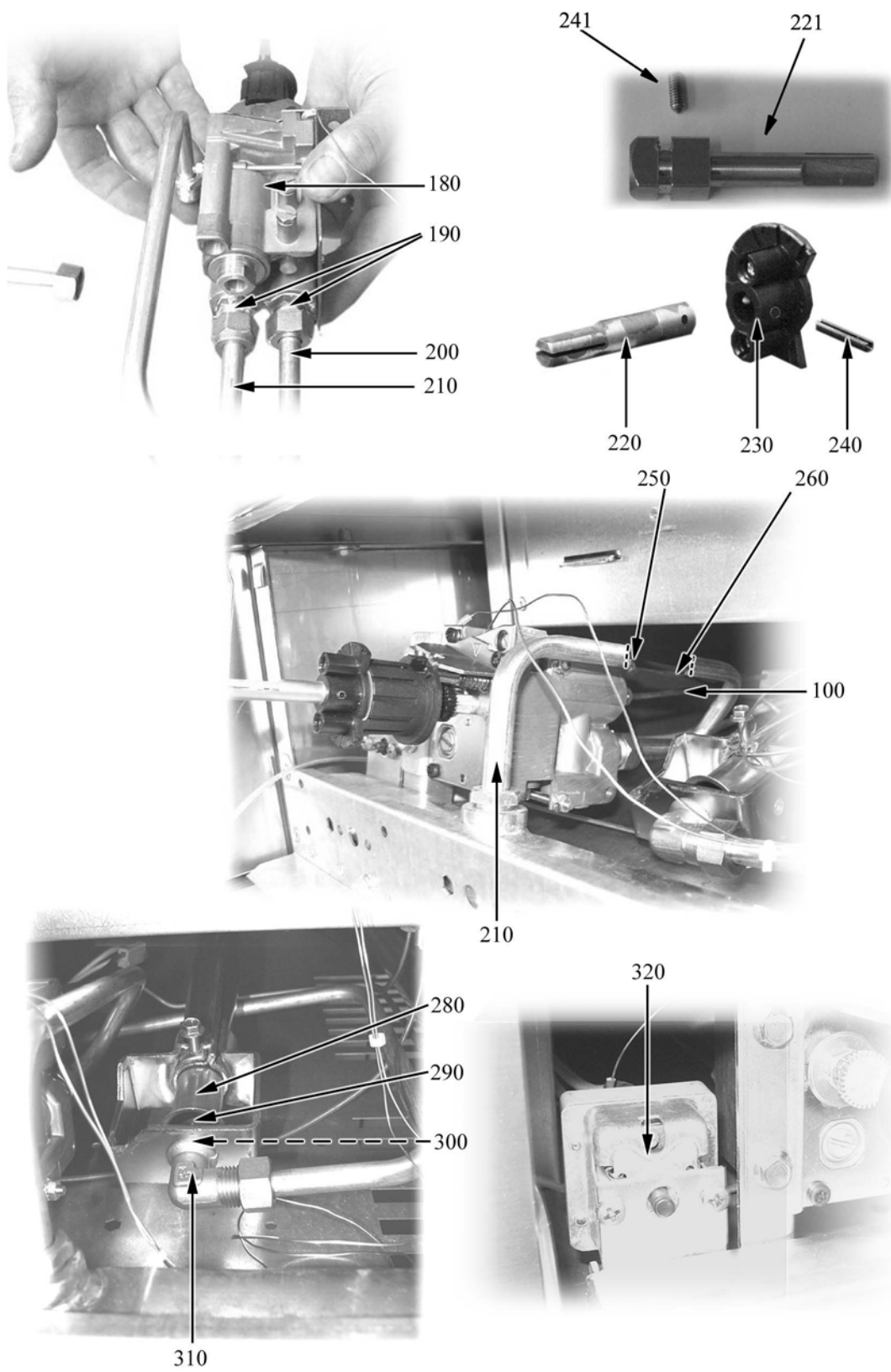
Parti di ricambio

| ID | Modello | Tipo | Voltaggio | Descrizione | Codici del produttore |
|--|---------|------|-----------|-------------|-----------------------|
| Module: Parti esterne e rubinetto | | | | | |
| 140 | RUB | | | Conduttura | 41823560500 |
| 150 | RUB | | | Dado | 6A016110 |
| 160 | RUB | | | Bicono | 6A016120 |
| 170 | RUB | | | By-pass 90 | 822450260 |
| 170 | RUB | | | By-pass 80 | 822450240 |
| 170 | RUB | | | By-pass 135 | 822450300 |
| 170 | RUB | | | By-pass 160 | 822450310 |
| 170 | RUB | | | By-pass 125 | 822450690 |

RUB= MODELLO CON RUBINETTO, VAL=MODELLO CON VALVOLA

7FT400=7FT/G400, 7FTT400=7FTT/G400, 7FTT405=7FTT/G405, 79FT410=7FT/G410, 7FTT410=7FTT/G410,
 7FTT415=7FTT/G415, 7FT800=7FT/G800, 7FTT800=7FTT/G800, 7FTT805=7FTT/G805, 7FT810=7FT/G810,
 7FTT810=7FTT/G810, 7FTT815=7FTT/G815, 7FT820=7FT/G820, 7TT820=7FTT/G820, 7FTT825=7FTT/G825,
 7FTV400=7FTV/G400, 7FTTV400=7FTTV/G400, 7FTTV405=7FTTV/G405, 7FTV410=7FTV/G410,
 7FTTV410=7FTTV/G410, 7FTTV415= 7FTTV/G415, 7FTTV800=7FTTV/G800, 7FTTV805=7FTTV/G805,
 7FTV810=7FTV/G810, 7FTTV810= 7FTTV/G810, 7FTTV815=7FTTV/G815, 7FTV820=7FTV/G820,
 7FTTF800=7FTTF/G800, 7FTTFE800=7FTTF/GE800, 7FTTF820=7FTTF/G820, 7FTTFE820=7FTTF/GE820,
 7TTTFE805=7FTTF/GE805, 7FTTFE825=7FTTF/GE825

A=3/N/PE~400/230V 50Hz



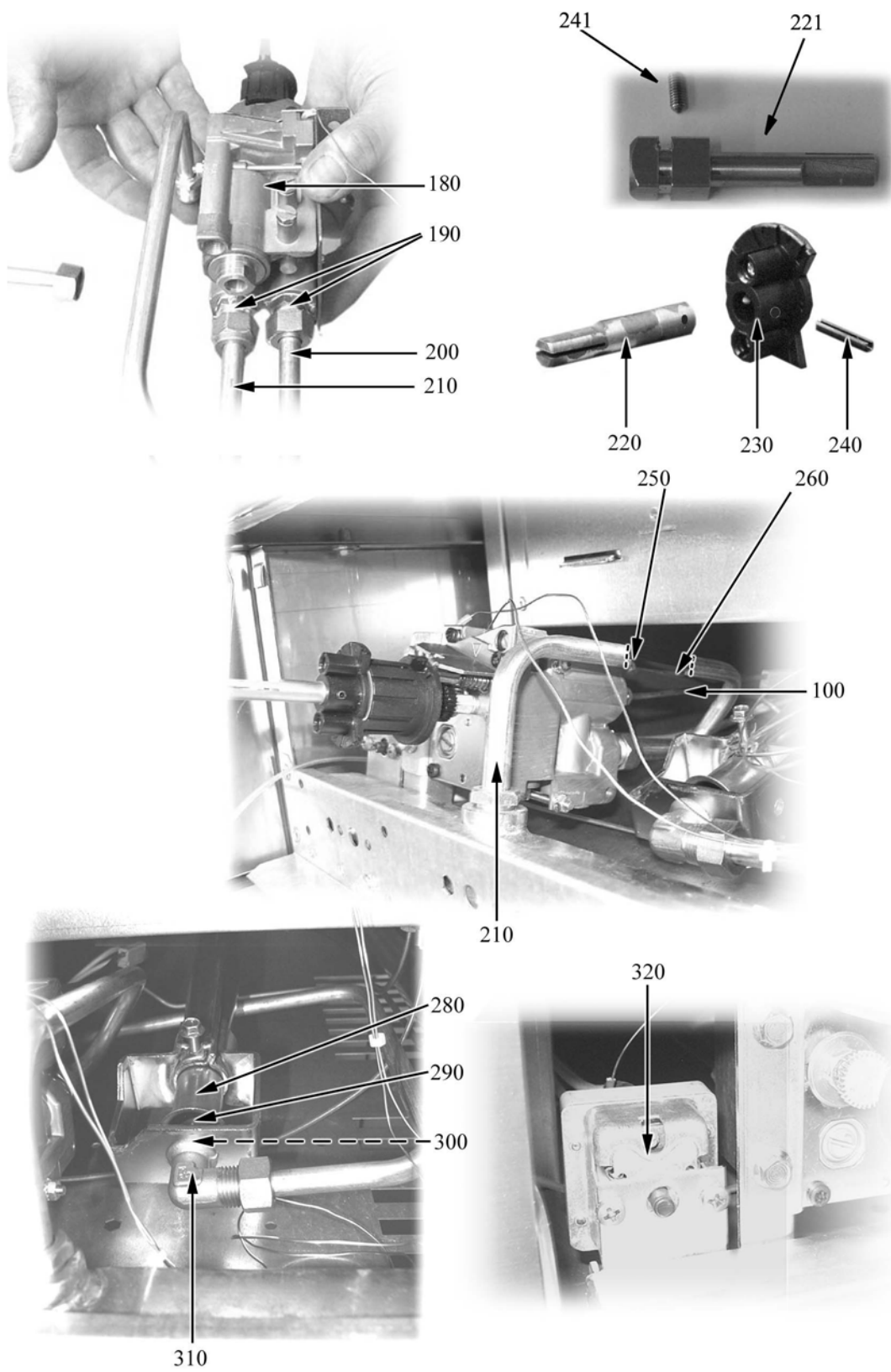
Parti di ricambio

| ID | Modello | Tipo | Voltaggio | Descrizione | Codici del produttore |
|---|---------|------|-----------|--------------------|-----------------------|
| Module:Valvola e termostato di sicurezza | | | | | |
| 180 | VAL | | | Valvola | 826920012 |
| 190 | VAL | | | Raccordo | 822450170 |
| 200 | VAL | | | Conduttura | 823560471 |
| 210 | VAL | | | Conduttura | 823560022 |
| 220 | VAL | | | Attacco manopola | 822160011 |
| 221 | VAL | | | Attacco manopola | 2518650 |
| 230 | VAL | | | Flangia | 824710060 |
| 240 | VAL | | | Spina elastica | 418227993140 |
| 241 | VAL | | | Grano di fissaggio | 6A009190 |
| 250 | VAL | | | Raccordo bicono | 6A011608 |
| 100 | | | | Termocoppia | 6A011904 |
| 100 | VAL | | | Termocoppia | 6A011909 |
| 280 | | | | Boccola | 822120040 |
| 290 | | | | Ugello 1.10 | 41822140010 |
| 290 | | | | Ugello 1.25 | 41822140020 |
| 290 | | | | Ugello 1.90 | 41822140050 |
| 290 | | | | Ugello 2.10 | 41822140060 |

RUB= MODELLO CON RUBINETTO, VAL=MODELLO CON VALVOLA

7FT400=7FT/G400, 7FTT400=7FTT/G400, 7FTT405=7FTT/G405, 79FT410=7FT/G410, 7FTT410=7FTT/G410,
 7FTT415=7FTT/G415, 7FT800=7FT/G800, 7FTT800=7FTT/G800, 7FTT805=7FTT/G805, 7FT810=7FT/G810,
 7FTT810=7FTT/G810, 7FTT815=7FTT/G815, 7FT820=7FT/G820, 7TT820=7FTT/G820, 7FTT825=7FTT/G825,
 7FTV400=7FTV/G400, 7FTTV400=7FTTV/G400, 7FTTV405=7FTTV/G405, 7FTV410=7FTV/G410,
 7FTTV410=7FTTV/G410, 7FTTV415= 7FTTV/G415, 7FTTV800=7FTTV/G800, 7FTTV805=7FTTV/G805,
 7FTV810=7FTV/G810, 7FTTV810= 7FTTV/G810, 7FTTV815=7FTTV/G815, 7FTV820=7FTV/G820,
 7FTTF800=7FTTF/G800, 7FTTFE800=7FTTF/GE800, 7FTTF820=7FTTF/G820, 7FTTFE820=7FTTF/GE820,
 7TTFE805=7FTTF/GE805, 7FTTFE825=7FTTF/GE825

A=3/N/PE~400/230V 50Hz



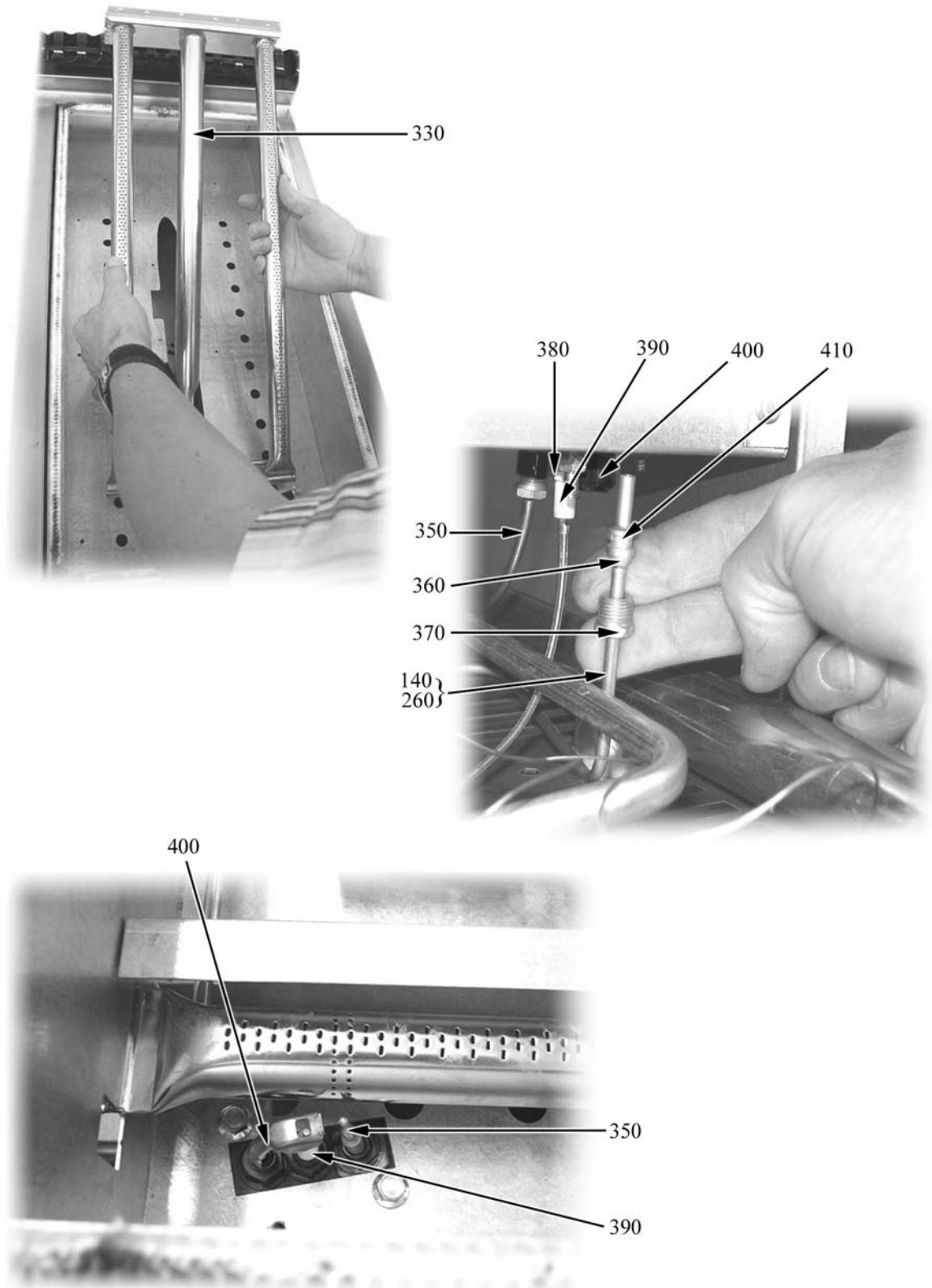
Parti di ricambio

| ID | Modello | Tipo | Voltaggio | Descrizione | Codici del produttore |
|---|---------|---|-----------|----------------------|-----------------------|
| Module:Valvola e termostato di sicurezza | | | | | |
| 300 | | | | Dado | 822180010 |
| 310 | | | | Raccordo | 822450010 |
| 320 | VAL | 7FTT400,7FTT405,7FTT410,7FTT415,7FTT800,7FTT805,7FTT810,7FTT815,7FTT820,7FTT825,7FTTV400,7FTTV405,7FTTV410,7FTTV415,7FTT800,7FTT805,7FTT810,7FTT815,7FTTV820,7FTTV820,7FTTF800,7FTTF800,7FTTF820,7FTTF800,7FTTF805,7FTTF805,7FTTF805,7FTTF825 | | Termostato sicurezza | 826630010 |

RUB= MODELLO CON RUBINETTO, VAL=MODELLO CON VALVOLA

7FT400=7FT/G400, 7FTT400=7FTT/G400, 7FTT405=7FTT/G405, 7FTT410=7FTT/G410, 7FTT415=7FTT/G415, 7FT800=7FT/G800, 7FTT800=7FTT/G800, 7FTT805=7FTT/G805, 7FT810=7FT/G810, 7FTT810=7FTT/G810, 7FTT815=7FTT/G815, 7FT820=7FT/G820, 7FTT820=7FTT/G820, 7FTT825=7FTT/G825, 7FTV400=7FTV/G400, 7FTTV400=7FTTV/G400, 7FTTV405=7FTTV/G405, 7FTV410=7FTV/G410, 7FTTV410=7FTTV/G410, 7FTTV415=7FTTV/G415, 7FTTV800=7FTTV/G800, 7FTTV805=7FTTV/G805, 7FTV810=7FTV/G810, 7FTTV810=7FTTV/G810, 7FTTV815=7FTTV/G815, 7FTV820=7FTV/G820, 7FTTF800=7FTTF/G800, 7FTTFE800=7FTTF/GE800, 7FTTF820=7FTTF/G820, 7FTTFE820=7FTTF/GE820, 7FTTFE805=7FTTF/GE805, 7FTTFE825=7FTTF/GE825

A=3/N/PE~400/230V 50Hz



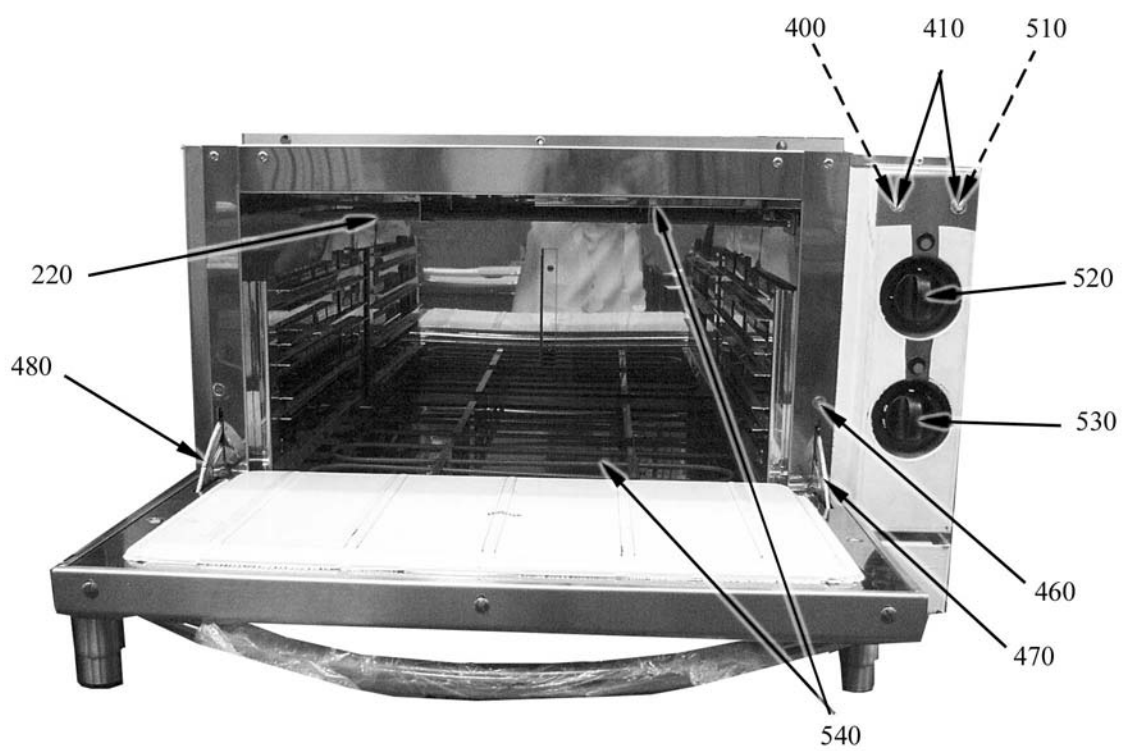
Parti di ricambio

| ID | Modello | Tipo | Voltaggio | Descrizione | Codici del produttore |
|-----------------------------------|---------|------|-----------|-------------|-----------------------|
| Module:Bruciatore e pilota | | | | | |
| 330 | | | | Bruciatore | 41826390023 |
| 100 | | | | Termocoppia | 826920020 |
| 360 | | | | Bicono | 822450050 |
| 370 | | | | Raccordo | 822450040 |
| 380 | | | | Raccordo | 6A011707 |
| 390 | | | | Candela | 6A013301 |
| 400 | | | | Pilota | 826920030 |
| 410 | | | | Ugello 27 | 6A013107 |
| 410 | | | | Ugello 19 | 822140380 |
| 140 | RUB | | | Conduttura | 41823560500 |
| 260 | VAL | | | Conduttura | 41823560041 |
| 260 | VAL | | | Conduttura | 41823560401 |

RUB= MODELLO CON RUBINETTO, VAL=MODELLO CON VALVOLA

7FT400=7FT/G400, 7FTT400=7FTT/G400, 7FTT405=7FTT/G405, 79FT410=7FT/G410, 7FTT410=7FTT/G410,
 7FTT415=7FTT/G415, 7FT800=7FT/G800, 7FTT800=7FTT/G800, 7FTT805=7FTT/G805, 7FT810=7FT/G810,
 7FTT810=7FTT/G810, 7FTT815=7FTT/G815, 7FT820=7FT/G820, 7TT820=7FTT/G820, 7FTT825=7FTT/G825,
 7FTV400=7FTV/G400, 7FTTV400=7FTTV/G400, 7FTTV405=7FTTV/G405, 7FTV410=7FTV/G410,
 7FTTV410=7FTTV/G410, 7FTTV415= 7FTTV/G415, 7FTTV800=7FTTV/G800, 7FTTV805=7FTTV/G805,
 7FTV810=7FTV/G810, 7FTTV810= 7FTTV/G810, 7FTTV815=7FTTV/G815, 7FTV820=7FTV/G820,
 7FTTF800=7FTTF/G800, 7FTTFE800=7FTTF/GE800, 7FTTF820=7FTTF/G820, 7FTTFE820=7FTTF/GE820,
 7TTFE805=7FTTF/GE805, 7FTTFE825=7FTTF/GE825

A=3/N/PE~400/230V 50Hz



Parti di ricambio

| ID | Modello | Tipo | Voltaggio | Descrizione | Codici del produttore |
|-----|---------|---|-----------|--------------------------------------|-----------------------|
| 400 | | 7FTTFE800,7FTTFE805, 7FTTFE820,7FTTFE825 | | Segnalatore luminoso verde | 826650050 |
| 410 | | 7FTTFE800,7FTTFE805, 7FTTFE820,7FTTFE825 | | Gemma bianca | 6A039207 |
| 510 | | 7FTTFE800,7FTTFE805, 7FTTFE820,7FTTFE825 | | Manopola nera per forno | 824710110 |
| 430 | | 7FTTFE800,7FTTFE805, 7FTTFE820,7FTTFE825 | | Accensione piezoelettrica | 41826630020 |
| 440 | | 7FTTFE800,7FTTFE805, 7FTTFE820,7FTTFE825 | | Rondella | 822160540 |
| 450 | | 7FTTFE800,7FTTFE805, 7FTTFE820,7FTTFE825 | | Cappuccio | 826630420 |
| 460 | | 7FTTFE800,7FTTFE805, 7FTTFE820,7FTTFE825 | | Portarullini per cerniera | 6A035930 |
| 470 | | 7FTTFE800,7FTTFE805, 7FTTFE820,7FTTFE825 | | Cerniera dx | 6A035910 |
| 480 | | 7FTTFE800,7FTTFE805, 7FTTFE820,7FTTFE825 | | Cerniera sx | 6A035920 |
| 490 | | 7FTTFE800,7FTTFE805, 7FTTFE820,7FTTFE825 | | Suola forno | 41821410191 |
| 500 | | 7FTTFE800,7FTTFE805, 7FTTFE820,7FTTFE825 | | Griglia | 41826330030 |
| 510 | | 7FTTFE800,7FTTFE805, 7FTTFE820,7FTTFE825 | | Segnalatore luminoso arancio | 6A038506 |
| 520 | | 7FTTFE800,7FTTFE805, 7FTTFE820,7FTTFE825 | | Manopola commutatore forno elettrico | 824710710 |
| 530 | | 7FTTFE800,7FTTFE805, 7FTTFE820,7FTTFE825 | | Manopola forno elettrico nera | 824710270 |
| 540 | | 7FTTFE800,7FTTFE805, 7FTTFE820,7FTTFE825 | | Resistenza 1500 W | 826620041 |

RUB= MODELLO CON RUBINETTO, VAL=MODELLO CON VALVOLA

7FT400=7FT/G400, 7FTT400=7FTT/G400, 7FTT405=7FTT/G405, 79FT410=7FT/G410, 7FTT410=7FTT/G410,
 7FTT415=7FTT/G415, 7FT800=7FT/G800, 7FTT800=7FTT/G800, 7FTT805=7FTT/G805, 7FT810=7FT/G810,
 7FTT810=7FTT/G810, 7FTT815=7FTT/G815, 7FT820=7FT/G820, 7FTT820=7FTT/G820, 7FTT825=7FTT/G825,
 7FTV400=7FTV/G400, 7FTTV400=7FTTV/G400, 7FTTV405=7FTTV/G405, 7FTV410=7FTV/G410,
 7FTTV410=7FTTV/G410, 7FTTV415=7FTTV/G415, 7FTTV800=7FTTV/G800, 7FTTV805=7FTTV/G805,
 7FTV810=7FTV/G810, 7FTTV810=7FTTV/G810, 7FTTV815=7FTTV/G815, 7FTV820=7FTV/G820,
 7FTTF800=7FTTF/G800, 7FTTFE800=7FTTF/GE800, 7FTTF820=7FTTF/G820, 7FTTFE820=7FTTF/GE820,
 7FTTF805=7FTTF/GE805, 7FTTFE825=7FTTF/GE825

A=3/N/PE~400/230V 50Hz