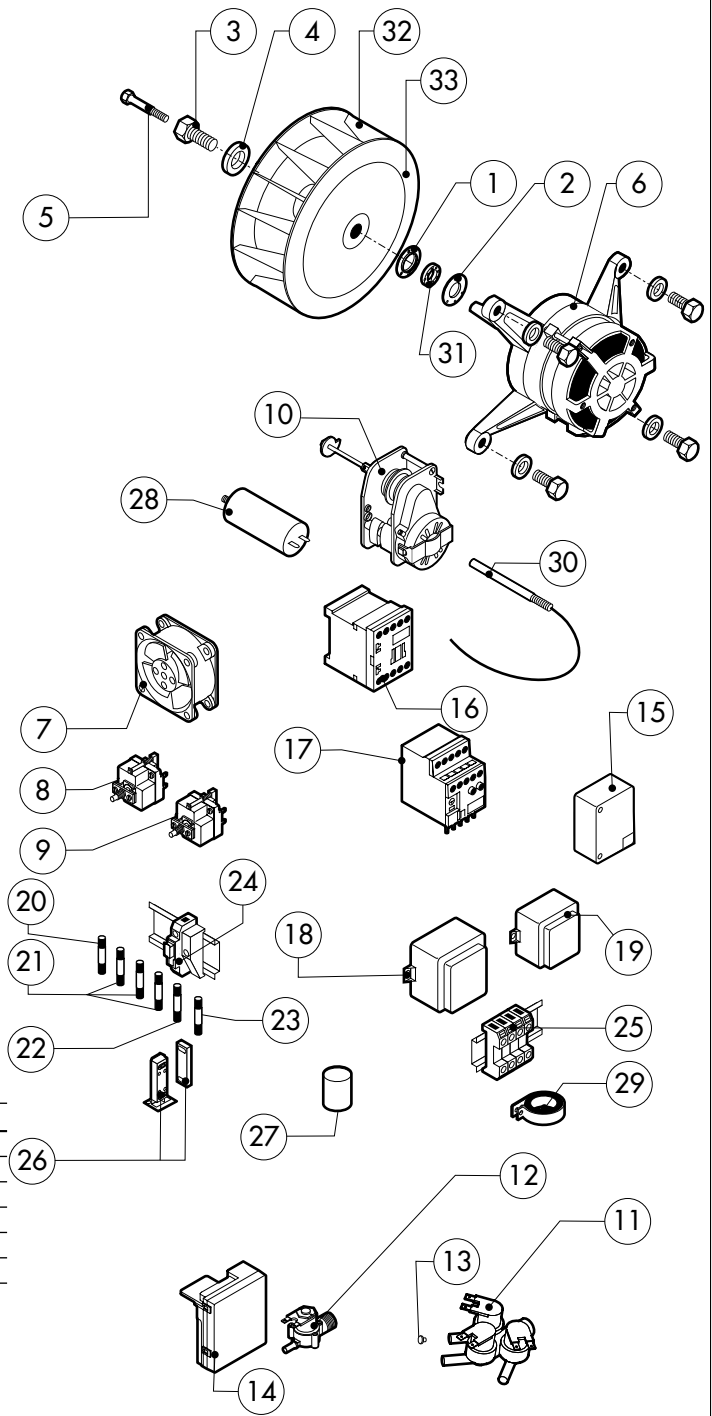
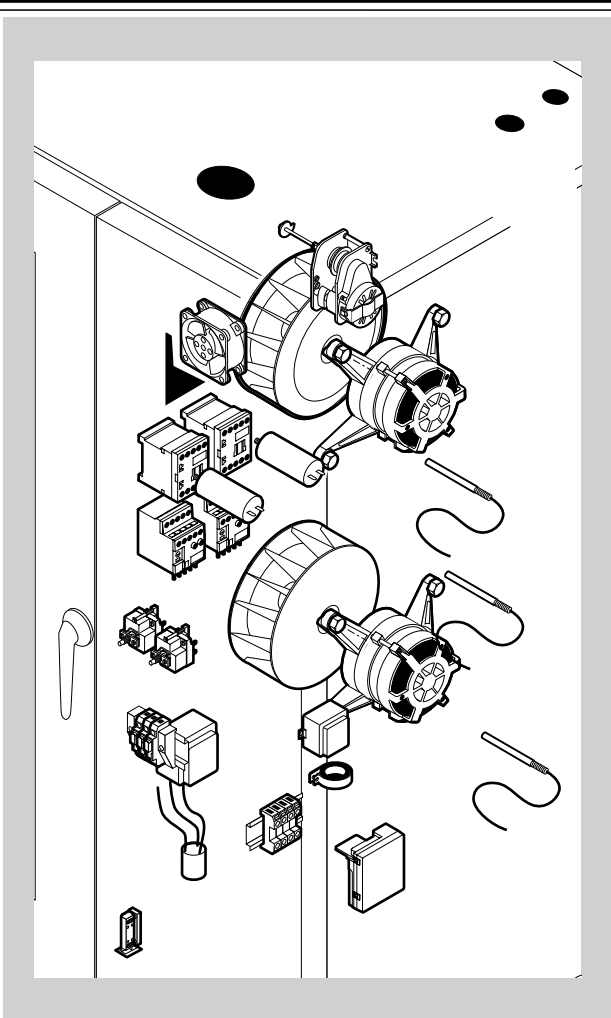


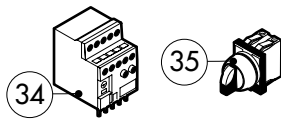
POS.	CODE	PIECES	DESCRIPTION
1	R11206180	1	DOOR
2	R11206190	1	INNER DOOR PANEL
3	R11100150	1	INNER DOOR GLASS
4	R70044360	1	GASKET FOR TROLLEY
5	R58001760	2	INNER GLASS SOLID HINGE
6	R58001770	2	INNER GLASS HINGE PIN
7	R58001780	2	INNER GLASS CATCH KIT
8	R11411860	2	"C" PROFILE
9	R11205390	1	LOWER DOOR HINGE WITH RETAINER
10	R58002540	1	DOOR PIVOT SUNK KEY
11	R58002550	1	DOOR RETAINER GUIDE SHOE
12	R58002560	1	SCREW FOR LOWER DOOR HINGE
13	R58002570	1	WASHER Ø 30/15x3
14	R61620091	16	BELLEVILLE WASHER Ø 14/6.4
15	R11200560	1	UPPER DOOR HINGE
16	R58002150	1	HINGE PIN
17	R58004050	1	NUT FOR UPPER DOOR HINGE
18	R11411520	1	UPPER SQUARE FOR DOOR ROD
19	R11205400	1	LOWER SQUARE FOR DOOR ROD
20	R10207680	2	DOOR ROD ADJUSTABLE PLATE
21	R70050100	9	GLASS SILICON SPACERS
22	R70044160	1	GLASS GASKET (3,72MT)
23	R66110320	1	DOOR LAMPS CABLE SET
24	R11401440	2	LAMP COVER
25	R71500150	2	GLASS LAMP
26	R70044200	2	GLASS LAMP

POS.	CODE	PIECES	DESCRIPTION
27	R11401450	2	GLASS HOLDER LAMP FLANGE
28	R65270020	2	LIGHT 20W 12V G4
29	R65270450	2	LIGHT SOCKET
30	R65260750	1	LAMPS CONTACT BLOCK
31	R66110300	1	LAMPS CONTACT CABLE SET
32	R11100310	1	DOOR HANDLE ASSEMBLY
33	R61090052	1	GRUB SCREW M6x16
34	R69010600	1	DOOR HANDLE
35	R69010610	1	HANDLE
36	R61030601	1	CYLINDRICAL HEAD SCREW
37	R11205340	1	DOOR HANDLE PIN
38	R03200970	1	DOOR LOCK REAR FLANGE
39	R58004781	1	DOOR HANDLE HOOK
40	R61040272	1	DOOR HANDLE HOOK SCREW
41	R61420021	1	ELASTIC WASHER
42	R11205381	1	LOWER DOOR ROD
43	R11205370	1	UPPER DOOR ROD
44	R11437460	1	CLOSING PLATE
45	R65491250	1	CLOSING PLATE SPRING ASSEMBLY
46	R58006860	2	CLOSING PLATE RORAZIONE PIVOT
47	R80100910	0,65mt	CLOSING PLATE GASKET



TWO SPEED FAN

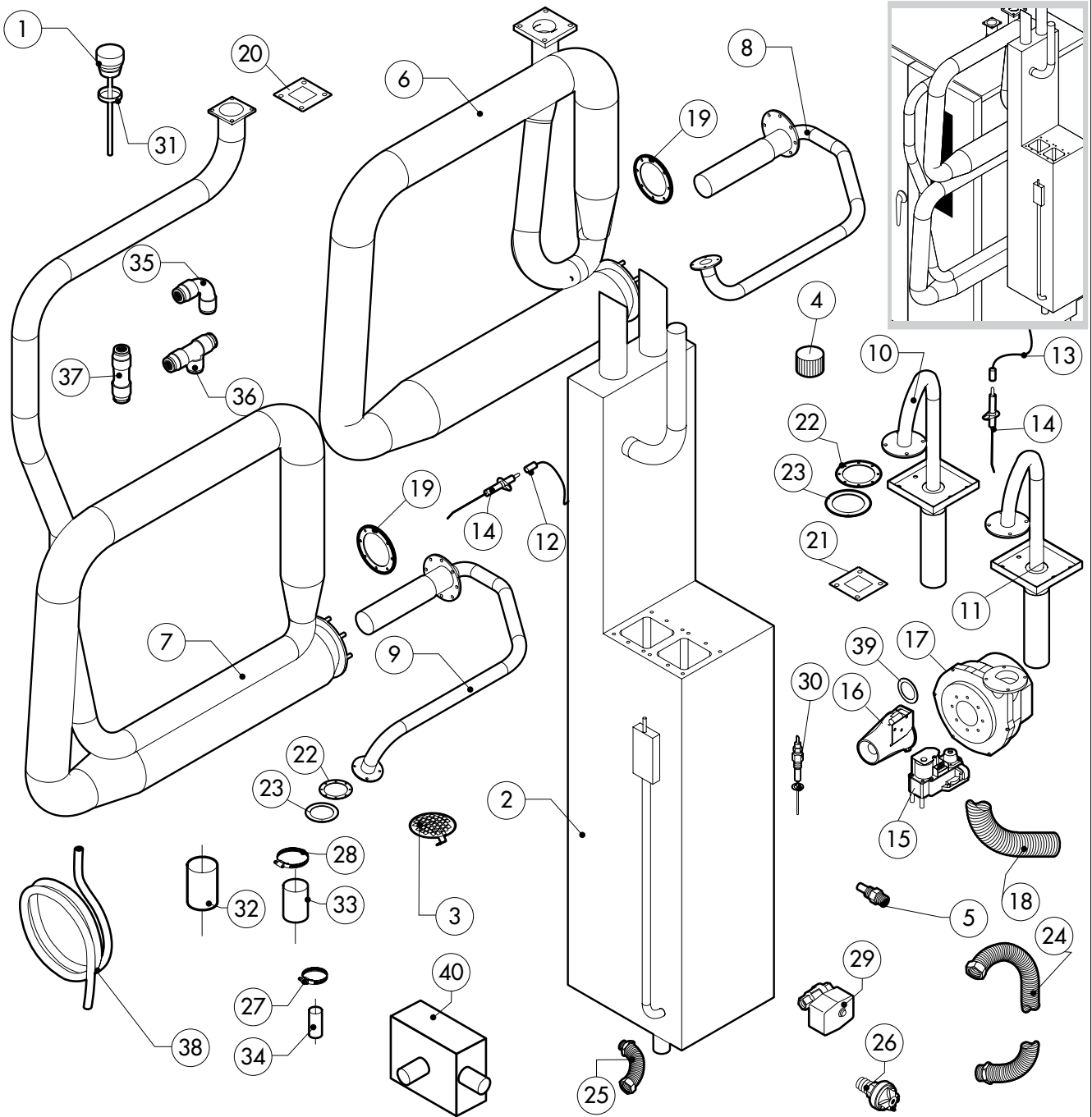
POS.	CODE	PIECES	DESCRIPTION
6	*R65040540	2	MOTOR KW 055/015 4-6P 240V
16	*R65140380	4	CONTACTOR 3RT1016-1AP02 240V
34	*R65160620	2	THERMIC PROTECTION 3RU1116-1BB0 1,4-2,0A
35	R65080150	1	2 POSITIONS SELECTOR SWITCH



POS.	CODE	PIECES	DESCRIPTION
1	R58003840	2	MOTOR GASKET BRASS FLANGE
2	R58003850	2	MOTOR GASKET BRASS COUNTER FLANGE
3	R58004000	2	FAN SCREW M12x1.5 SX
4	R58004010	2	FAN WASHER Ø 30/12.5
5	R61020562	2	FAN SCREW TE A2 M6x55
6	*R65040550	2	MOTOR KW 055 F1 4P 200-240V KIT
7	R65060050	4	COMPONENTS VENTILATION MOTOR Ø 120
8	R65070350	1	CHAMBER SAFETY THERMOSTAT
9	R65070081	1	STEAM GENERATOR SAFETY THERMOSTAT
10	R65095000	1	DAMPER SYSTEM
11	R65110280	1	SOLENOID VALVE 220V 50HZ
12	R65110200	1	SOLENOID VALVE 220V 50HZ
13	R65110500	2	10 LT/H WATER FLOW REDUCER
14	R63060160	4	BURNER IGNITION PANEL
15	R65180270	4	IGNITION TRANSFORMER
16	*R65140380	2	CONTACTOR 3RT1016-1AP02 240V
17	*R65160590	2	THERMIC PROTECTION 3RU1116-1EB0 2,8-4,0A
18	R65180430	1	TRANSFORMER 40VA
19	R65180420	1	TRANSFORMER 20VA

POS.	CODE	PIECES	DESCRIPTION
20	R65200200	1	FUSE 2A
21	R65200160	4	FUSE 1A
22	R65200350	1	FUSE 0.200A (T)
23	R65200086	1	FUSE 0.125A (T)
24	R65210020	7	FUSE CARRIER
25	R65220220	1	TERMINAL BOARD
26	R65265100	1	DOOR SWITCH
27	*R65280230	1	INTERFERENCE SUPPRESSOR
28	*R65190050	2	CAPACITOR 20 F
29	*R65280490	1	FERRITE FT35
30	R65320220	3	PROBE "K" 6x8 1,5 mt
31	R70020050	2	MOTOR GASKET
32	*R75400440	2	FAN Ø 350x114/12 50HZ P.D. KIT
33	R75400470	2	FAN Ø 350x114/12 60HZ P.D. KIT

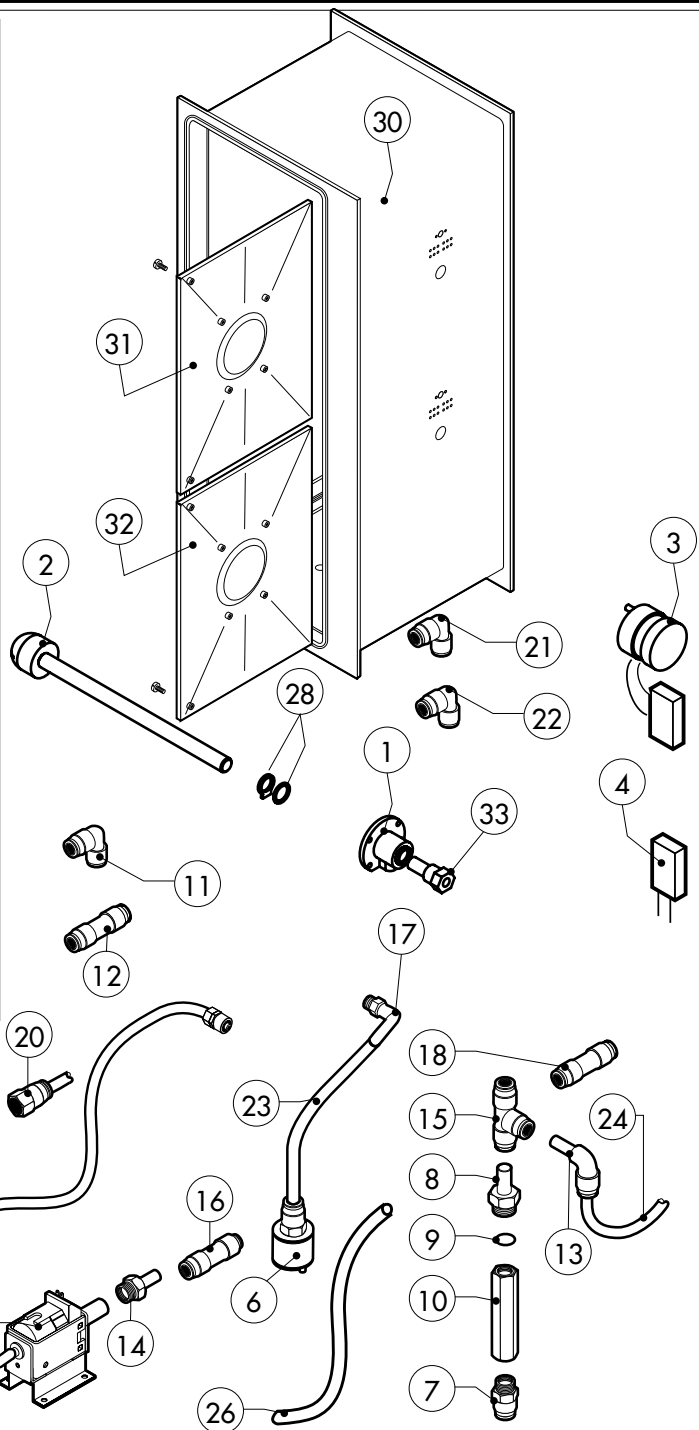
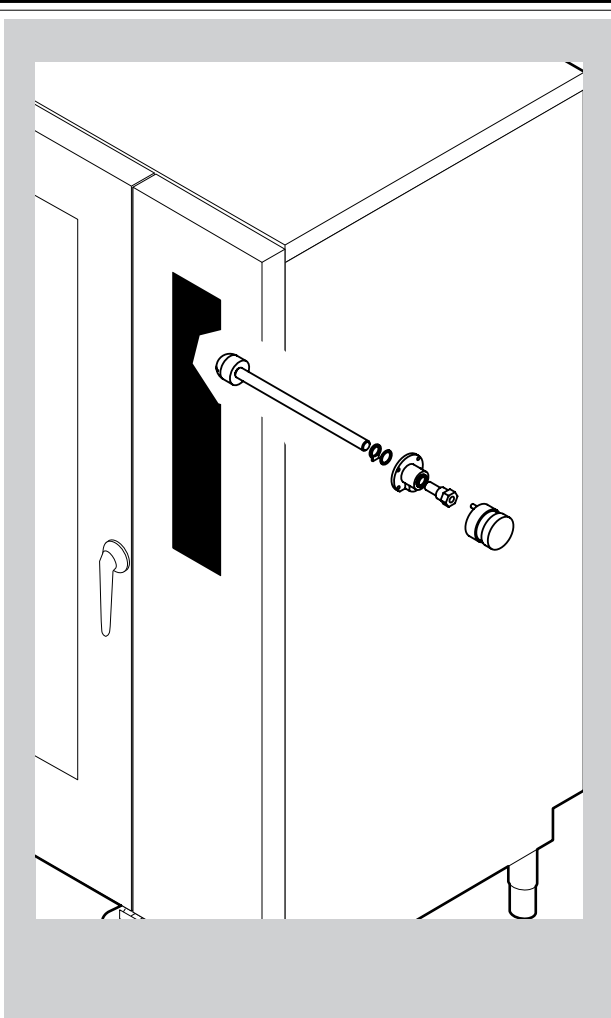
\*COMPONENT SUBMITTED TO CHANGEMENTS CAUSED BY TENSION DIFFERENT FROM THE STANDARD (AC 230V 50HZ)



POS.	CODE	PIECES	DESCRIPTION
1	R11100270	1	DAMPER SYSTEM CAP
2	R11224191	1	STEAM GENERATOR ASSEMBLY
3	R10201710	1	DRAIN FILTER
4	R69150110	1	STEAM GENERATOR DESCALING CAP 1"1/4 F
5	R58006130	2	STEAM QUENCHING NOZZLE Ø 1
6	R11224050	1	TOP HEAT EXCHANGER ASSEMBLY
7	R11224060	1	LOWER HEAT EXCHANGER ASSEMBLY
8	R11224151	1	TOP BURNER ASSEMBLY
9	R11224161	1	LOWER BURNER ASSEMBLY
10	R11224171	1	IN STEAM GENERATOR BURNER
11	R11224181	1	OUT STEAM GENERATOR BURNER
12	R66605810	2	FLAME IGNITION CABLE/FLAME SENSOR CABLE
13	R66605920	2	FLAME IGNITION CABLE/FLAME SENSOR CABLE
14	R63050130	12	IGNITOR
15	R63020170	4	GAS SOLENOID VALVE
16	R63120040	4	VENTURI TUBE
17	R65060360	4	GAS BURNER FAN MOTOR
18	R77700056	4 MT	AIR INLET FLEXIBLE PIPE
19	R63140080	4	BURNER/HEAT EXCHANGER GASKET
20	R63140010	4	HEAT EXCHANGER GASKET

POS.	CODE	PIECES	DESCRIPTION
21	R63140060	2	BOILER/BURNER EXCHANGER GASKET
22	R63140050	8	BURNER/FAN MOTOR GASKET
23	R11430340	4	ORIFICE D.22
24	R62180082	4	GAS INLET FLEXIBLE PIPE
25	R62180022	1	FLEXIBLE PIPE FOR BOILER DESCALING
26	R63070010	1	GAS SAFETY PRESSURE SWITCH PG 901.61
27	R61630011	2	METAL CLAMPS 12-22/9
28	R61630031	6	METAL CLAMPS 40-60/9
29	R65110560	1	STEAM GENERATOR DRAIN MOTORIZED VALVE
30	R65320010	2	STEAM GENERATOR LEVEL PROBE
31	R70060100	1	DAMPER SYSTEM CAP GASKET
32	R70060050	1	SILICON COUPLING Ø 60
33	R70060040	2	SILICON COUPLING Ø 50
34	R70060080	1	SILICON COUPLING Ø 13
35	R62090478	6	ELBOW MIDDLING PIPE FITTING D.10
36	R62090468	1	"T" MIDDLING PIPE FITTING D.10
37	R62090458	1	STRAIGHT MIDDLING PIPE FITTING D.10
38	R70070040	1	PE D.10 MM X7 WATER FLEXIBLE PIPE (4 MT LONG)
39	R58004220	4	ORIFICE D.4,2
40	R69180110	1	QUENCHING-DRAIN COLLECTOR





POS.	CODE	PIECES	DESCRIPTION
1	R58007020	2	WASHING SYSTEM FLANGE
2	R58007030	2	WASHING SYSTEM INNER ASSEMBLY
3	R65090250	2	WASHING GEARED MOTORS WITH CAPACITOR
4	R65190230	2	CAPACITOR 0,27 F
5	R65110600	1	DETRGENT PUMP
6	R65110650	1	BOTTOM FILTER
7	R62090508	1	10X1/4 STRAIGHT THREADED TERMINAL PIPE FITTING
8	R62090518	5	10X1/4 END SIDE PIPE FITTING (WITH TANG)
9	R70010050	6	OR GASKETS
10	R65110640	3	ANTI-BACK FLOW
11	R62090478	1	ELBOW MIDLING PIPE FITTING D.10
12	R62090458	1	STRAIGHT MIDLING PIPE FITTING D.10
13	R62090528	8	ELBOW PIPE FITTING (WITH TANG) 10 X 10
14	R62090608	1	8X1/8 END SIDE PIPE FITTING (WITH TANG)
15	R62090468	4	"T" MIDLING PIPE FITTING D.10
16	R62090618	1	10-8 REDUCTION PIPE FITTING
17	R62090648	1	ELBOW PIPE FITTING
18	R62090458	1	STRAIGHT MIDLING PIPE FITTING D.10
19	R62090482	1	RAPID MALE PIPE FITTING

POS.	CODE	PIECES	DESCRIPTION
20	R62090538	1	1/4" FEMALE STRAIGHT PIPE FITTING FOR D.8X6 PIPE
21	R62090633	2	ELBOW PIPE FITTING BRASS D.10
22	R62090663	2	ELBOW PIPE FITTING BRASS D.10x1/4"
23	R70070100	1	PE D.8 MM X 6 DETERGENT FLEXIBLE PIPE
24	R70070070	1	PE D.10 MM X 7 WATER FLEXIBLE PIPE (3 MT LONG)
25	R70070080	1	PE D.23 MM X 13 FLEXIBLE PIPE (1 MT LONG)
26	R70070090	1	PE D.12 MM X 7 SILICONE PIPE (1 MT LONG)
27	R65110280	1	SOLENOID VALVE 220V 50HZ
28	R70045120	1	GASKETS KIT
29	R61630011	2	METAL CLAMPS 12-22/9
30	R11203230	1	COOKING CABINET ASSEMBLY
31	R11203140	1	TOP FAN GUARD PANEL ASSEMBLY
32	R11206160	1	LOWER FAN GUARD PANEL ASSEMBLY
33	R58007000	1	ROTATING PIVOT