

TAVOLA / DRAWING 2262

MOD. 9CPE45A

COD. 3193307

CUOCIPASTA ELETTRICO S.990S
ELECTRIC PASTA COOKER S.990S

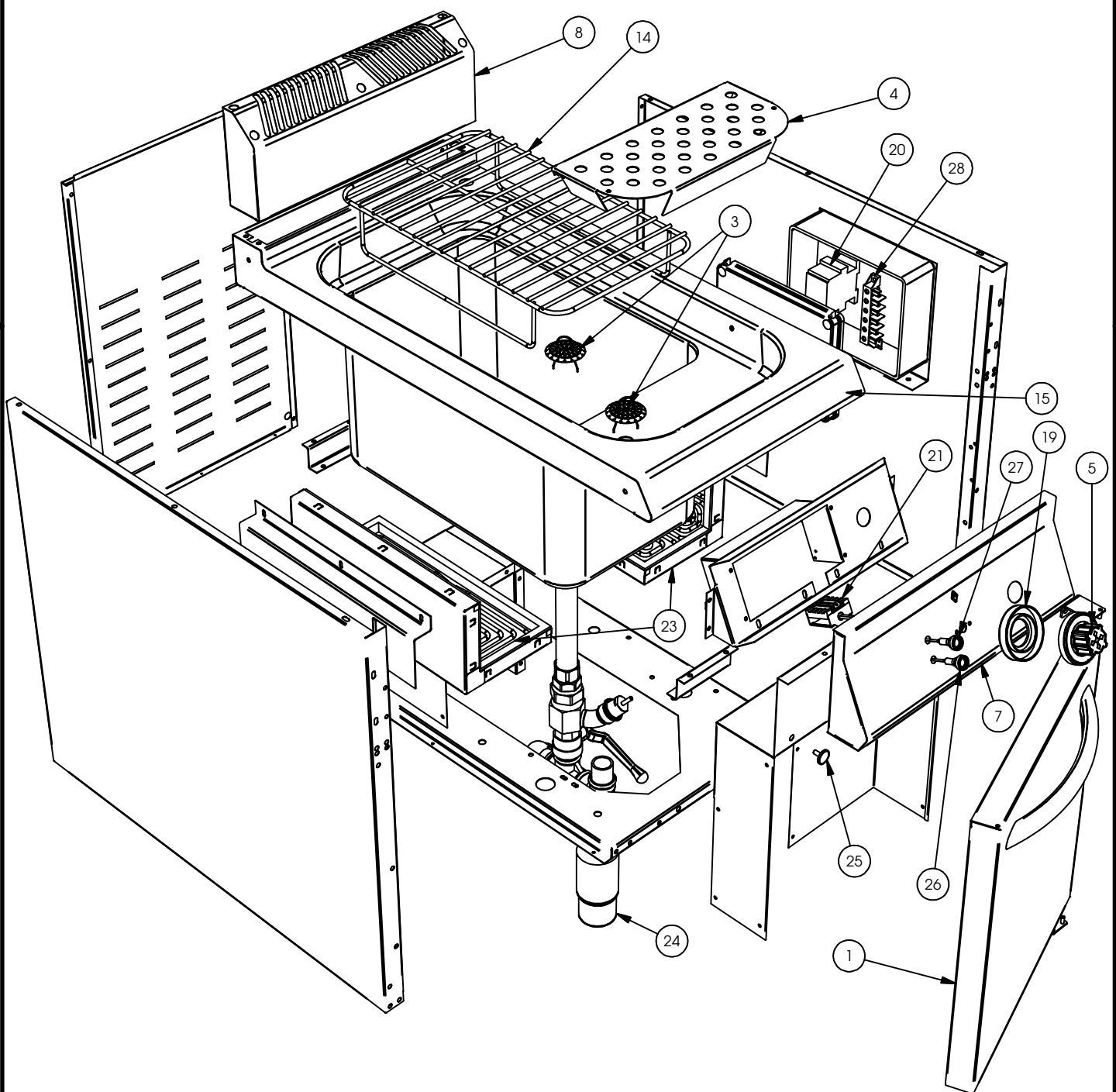
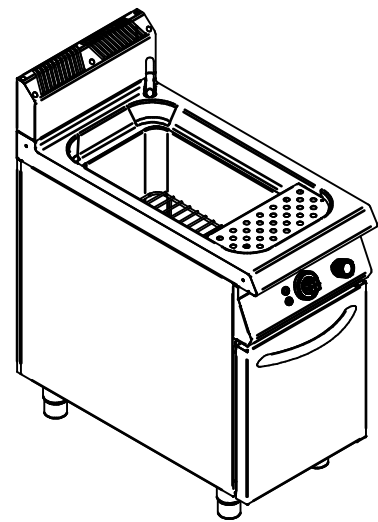
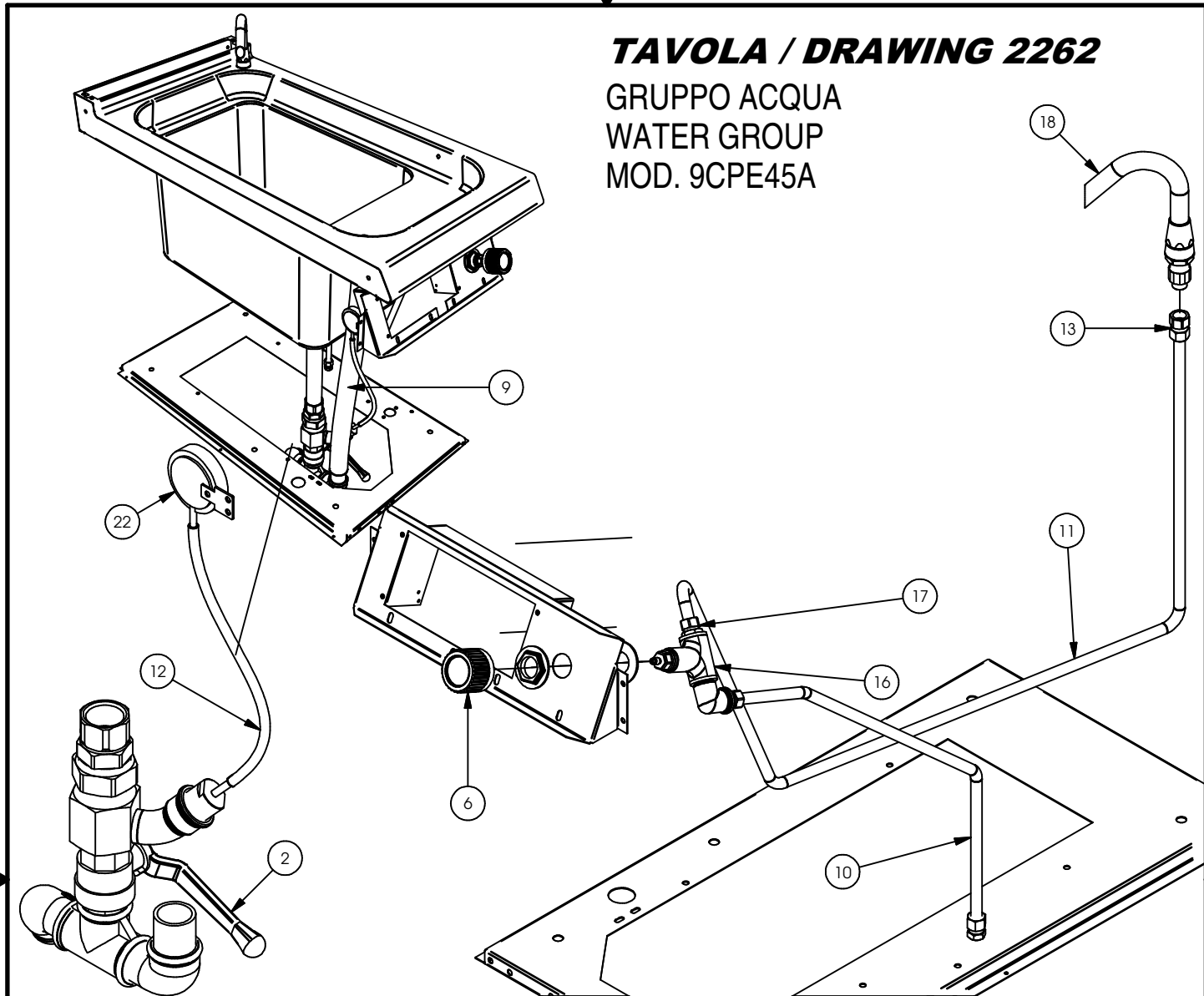


TAVOLA / DRAWING 2262

GRUPPO ACQUA
WATER GROUP
MOD. 9CPE45A



1	353186	PORTA 1/2 MODULO DX	FRONT RIGHT DOOR
1	353194	PORTA 1/2 MODULO SX	FRONT LEFT DOOR
2	4000356	GRUPPO SCARICO CUOCIP.STILE 1/2 MOD	OUTLET WATER GROUP
3	4005101	GRIGLIETTA TROPPO PIENO COPML.CUOC	DRAIN COVER
4	4005115	GRIGLIETTA FORATA CUOC.PIEGATA S900	TOP DRAINER GRILL
5	401451	MANOPOLA COMP.TERMOST. CUOCIP.ELET.	KNOB FOR THERMOSTAT
6	401683	MANOPOLA ZIGR.D.48 ASS.CAR.H2O CUOC	WATER INLET KNOB
7	4105957	CRUSCOTTO COM. CUOC.ELE. 450 S.990S	FRONT PANEL
8	4302285	SCARICO FUMO ASS. ASOLE 450 STILE	EXHAUST GRATE
9	4597001	TUBO SCARICO CUOCIP. D.40X650	DRAIN HOSE
10	816961	TUBO PIEGH.316L DN10X700 7786-0700	WATER TUBE ENTRY
11	816987	TUBO PIEGH.316L DN10X1800 7786-1800	SPOUT TUBE
12	817145	TUBO VITREO PRESSOSTATO	PRESSURE SWITCH TUBE
13	829807	RACCORDO DIR.DA 3/8" DIAM.10 MONOC.	SPOUT CONNECTION 3/8" - D10
14	831681	FALSO FON.IN TONDINO 48X29X9 GN1/1	STAINLESS STEEL GRID
15	833333	ASS.PIANO/V.CUOC.1V GAS S.9S KITC10	TOP BIN
16	833471	RUBINETTO INCASSO DIRITTO 1/2	WATER INLET COCK
17	833477	NIPPLES 1/2XD10 FRIZ.RAME/OTTONE	WATER INLET COCK CONNECTION
18	833538	CANNA D.20 ORIENTABILE 800 08/833	SPOUT
19	835575	GHIERA PLAST.ROSSA X MANOP.ELE.13H	PLASTIC COVER FOR KNOB
20	835941	TELER/CONTATT. LOVATO BF25 10 A230	CONTACTOR
21	843747	COMMUTATORE 0-3 POSIZIONI.16 AMP.	MAIN SWITCH/COMMUTATOR
22	843783	PRESSOSTATO 1 LIVELLO TYPE 760	PRESSURE SWITCH
23	843865	RESISTENZA ANGOLARE 4500W 100.656	HEATING ELEMENT 4500W
24	844380	PIEDE 2"INOX 145-200 EP1XBXMBONNSV	2" STAINLESS STEEL FOOT
25	844706	MAGNETE X PORTE D.22X3 GAMBO M6X15	DOOR MAGNET
26	849411	SPIA VERDE V.220	GREEN WARNING LIGHT 220V
27	849417	SPIA ROSSA V.220	RED WARNING LIGHT 220V
28	849517	MORSETTIERA 6 POLI FV122/6/40A	TERMINAL BOARD