

TAVOLA / DRAWING 2257

MOD. 9FTG90XXX

GAS FRY-TOPS S.990S COD.:

- 317150 L
- 317160 LC
- 317170 R
- 317180 RC
- 317190 LR
- 317200 LRC

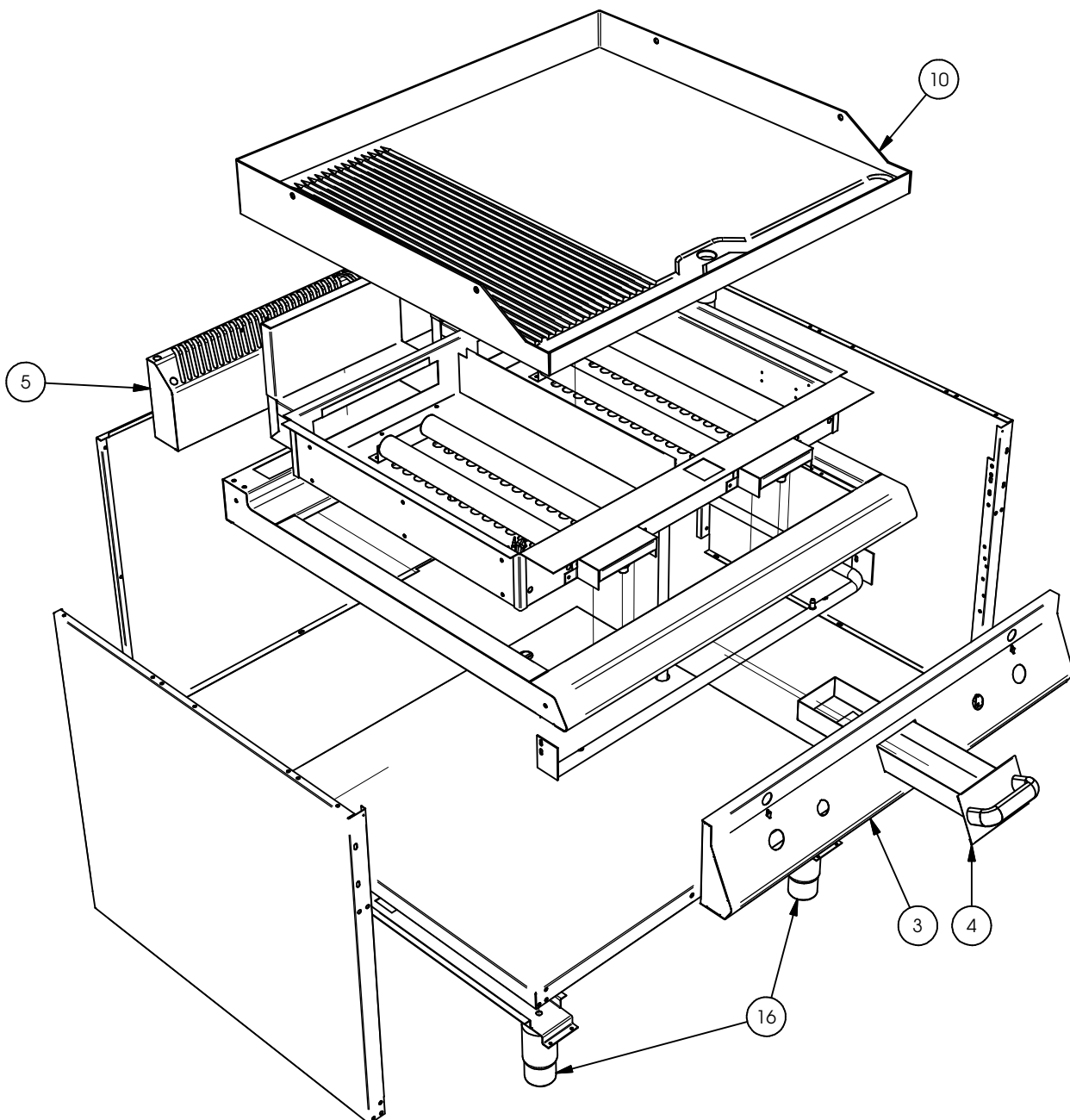
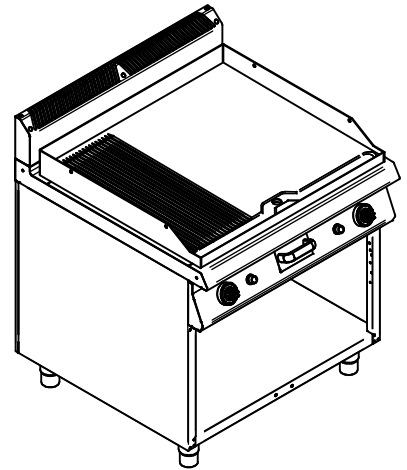
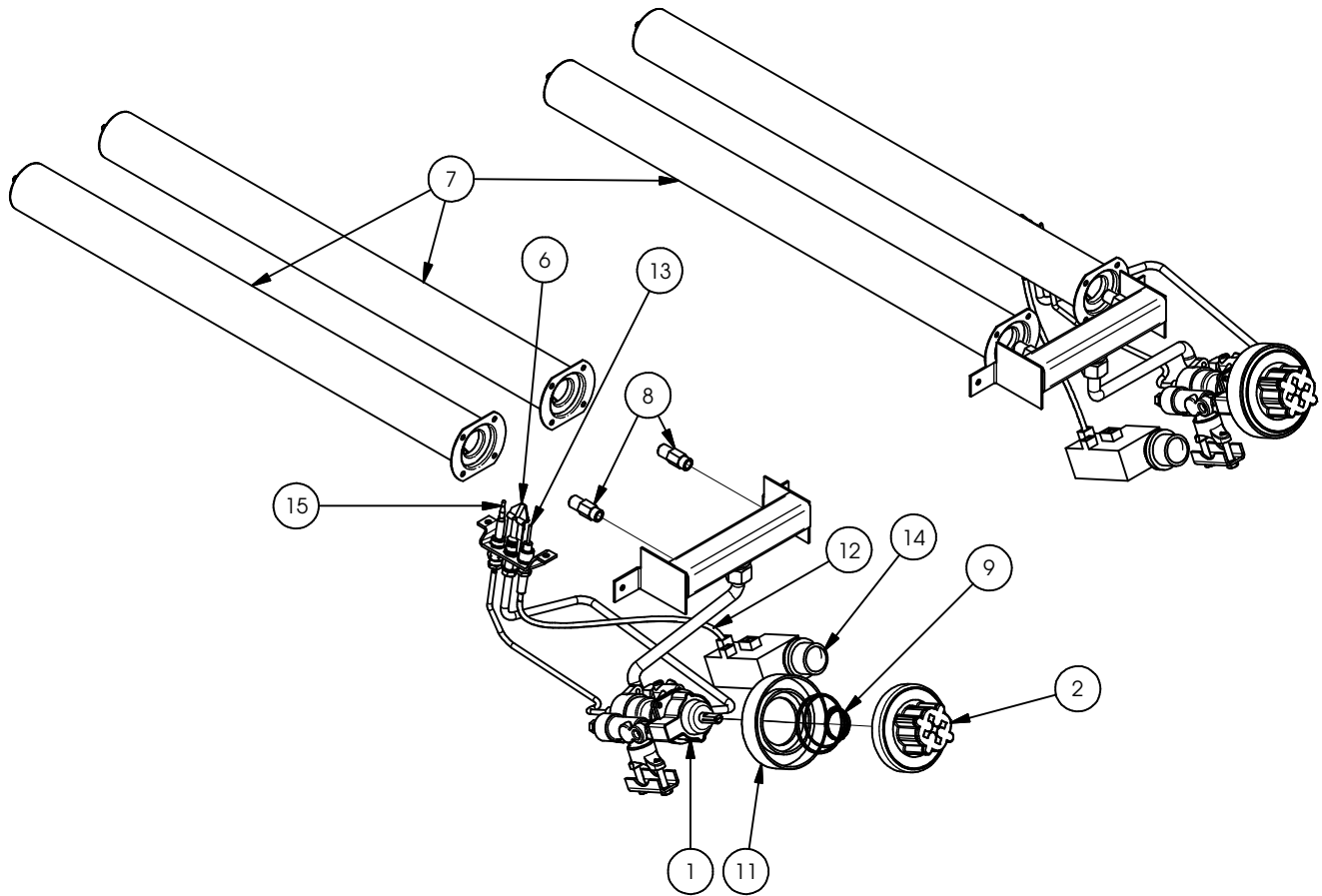


TAVOLA / DRAWING 2257

GRUPPO GAS / GAS GROUP 9FTG90XXX



| | | | |
|----|---------|--------------------------------------|--|
| 1 | 401261 | RUBIN.GAS COLL.COMP.RACC.25ST S7/9S | THERMOSTATIC GAS TAP 25 ST WITH CONNECTION |
| 2 | 401415 | MANOPOLA COMPL. RUBIN. FRY-TOP 25ST | KNOB FOR GAS TAP 25 ST |
| 3 | 4105988 | CRUSCOTTO COM.FRY-TOP GAS 900 S.990S | 800 GAS FRY TOP FRONT PANEL |
| 4 | 4127001 | CASSETTO RA.GOCCE ASS.FRYTOP S.7/9S | DRIP CATCHER DRAWER |
| 5 | 4302273 | SCARICO FUMO ASS. ASOLE 900 STILE | EXHAUST GRATE |
| 6 | 403121 | BRUCIAT.PIL.3 VIE COMP.RACC.FRY-TOP | PILOT BURNER 3 WAY |
| 7 | 841265 | BRUCIATORE FRY-TOP S.90 102.0974.00 | BURNER FRT-TOP (S.900) |
| 8 | 829350 | UGELLO OTT.CH12X30 M10X1 "GENERICO" | LONG BURNER INJECTOR |
| 9 | 829671 | MOLLA CONICA INOX A COMPR.D.1.20 | CONICAL SPRING FOR KNOB |
| 10 | 831968 | PIASTRA 850X750X15 FTLN 990 | SMOOTH CHROMIUM PLATE |
| 10 | 831972 | PIASTRA 850X750X15 FTLN 990 | SMOOTH PLATE |
| 10 | 831976 | PIASTRA 850X750X15 FTRC 990 | SCORED CHROMIUM PLATE |
| 10 | 831980 | PIASTRA 855X750X15 FTRN 990 | SCORED PLATE |
| 10 | 831983 | PIASTRA 855X750X15 FTLRN 990 | 1/3 SCORED 2/3 SMOOTH PLATE |
| 10 | 831987 | PIASTRA 850X750X15 FTLRC 990 | 1/3 SCORED 2/3 SMOOTH CHROMIUM PLATE |
| 11 | 835571 | GHIERA PLAST.ROSSA X MANOP.GAS.17H | PLASTIC COVER FOR KNOB |
| 12 | 835893 | CAVO X ACCENS.A PILA 500MM 0028651 | IGNITION CABLE |
| 13 | 835915 | CANDELA PIEZO DRI.(FRY-TOP) 0915015 | PIEZO SPARK PLUG |
| 14 | 835925 | ACCENSIONE A PILA 72606505000 | SWITCHING TO BATTERY |
| 15 | 837233 | TERMOCOPPIA QUICK 320 0290012 | THERMOCOUPLE CM32 |
| 16 | 844380 | PIEDE 2"INOX 145-200 EP1XBMBONNSV | 2" STAINLESS STEEL FOOT |